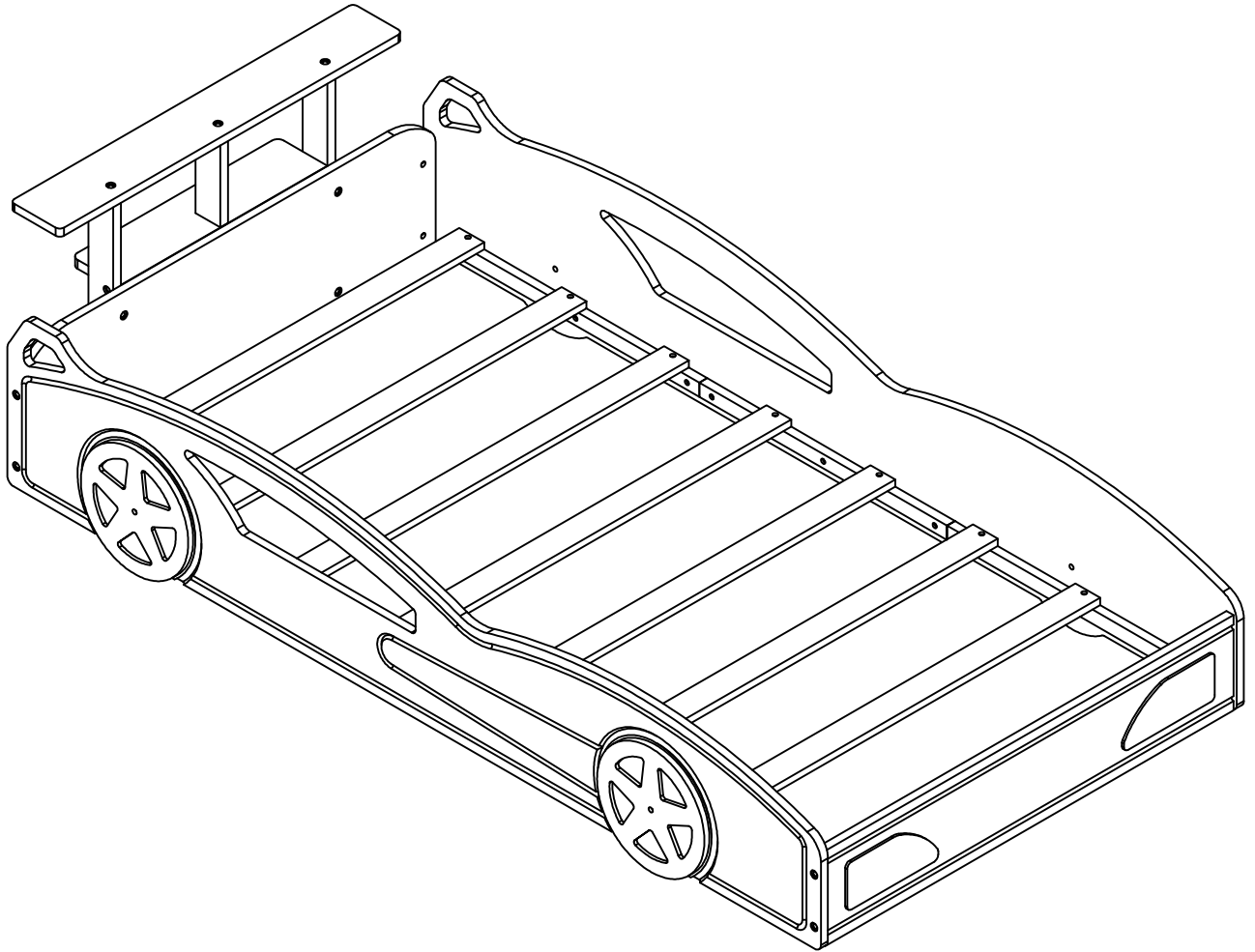
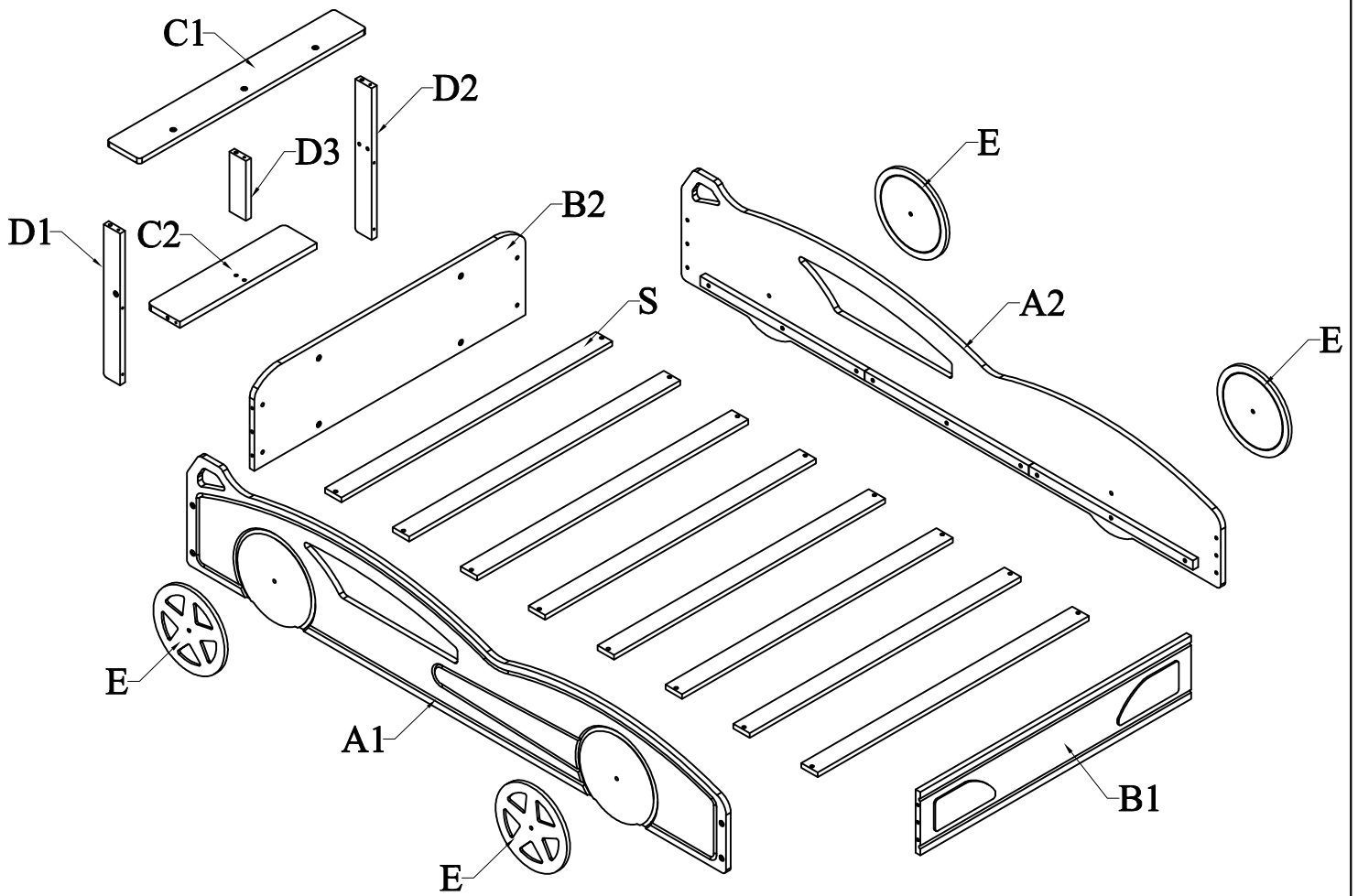


# ASSEMBLY INSTRUCTIONS

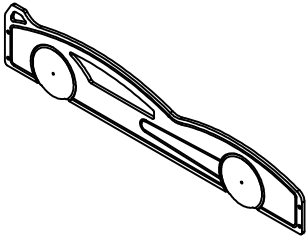


# DETAIL VIEW



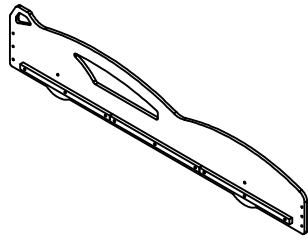
# BOX 1

A1



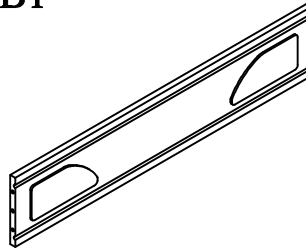
Side rail - left (1pc)

A2



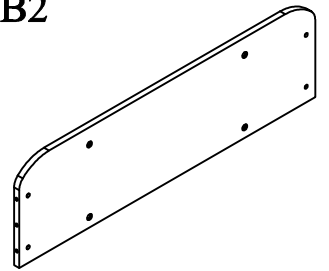
Side rail - right (1pc)

B1



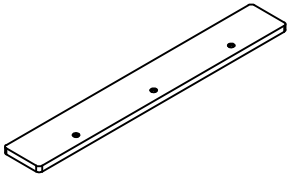
Footboard panel (1pc)

B2



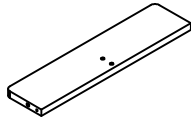
Headboard panel (1pc)

C1



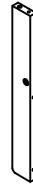
Top back rail (1pc)

C2



Bottom back rail (1pc)

D1



Vertical rail - left (1pc)

D2



Vertical rail - right (1pc)

D3



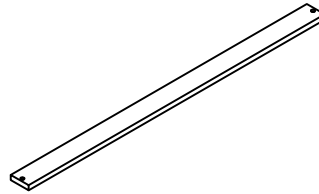
Vertical rail - middle(1pc)

E



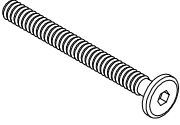
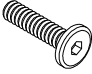
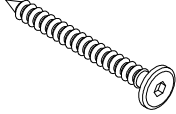
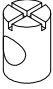
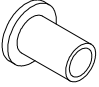
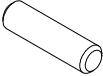
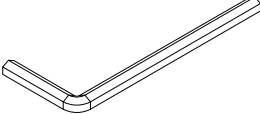
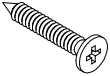
Wheel car (4pcs)

S

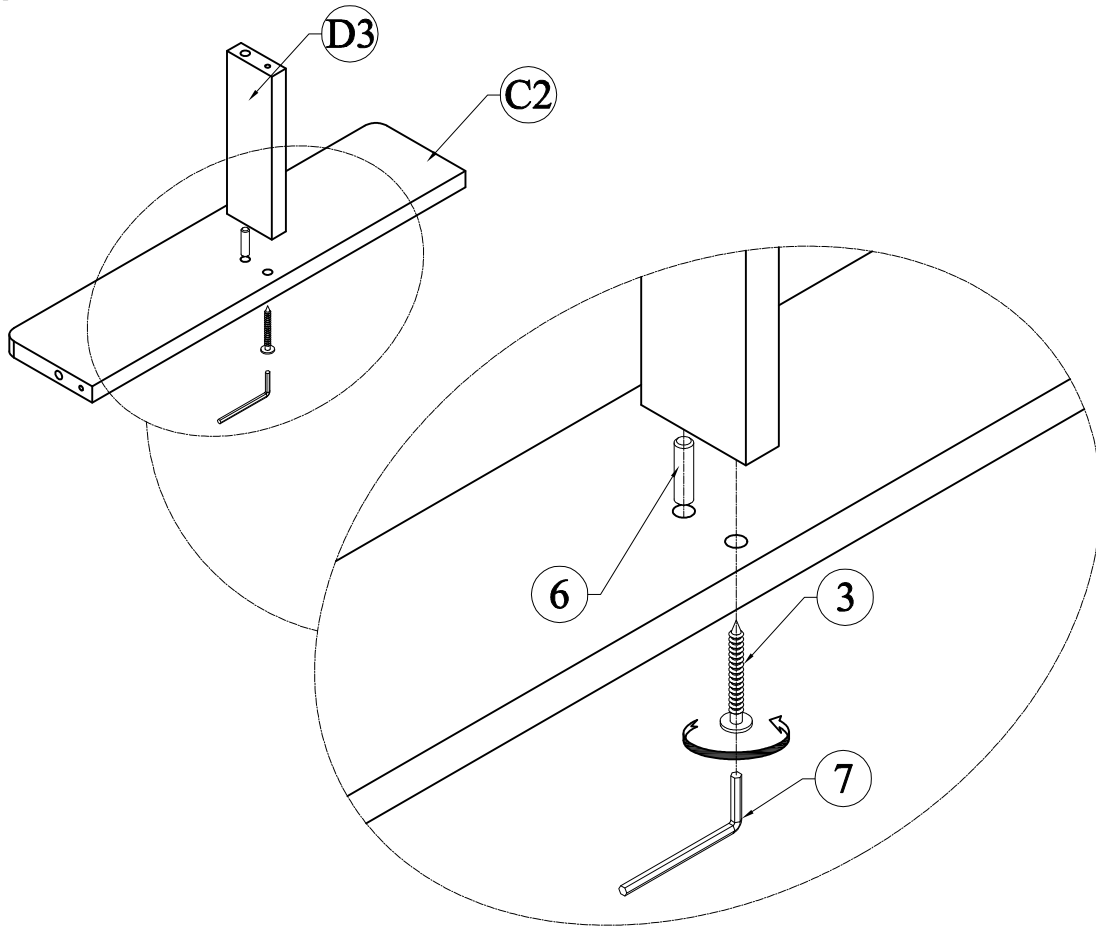


Slats (08pcs)

# HARDWARE LIST

<p style="text-align: center;"><b>1</b></p>  <p style="text-align: center;"><b>Hex - Head bolts</b> Ø1/4" * 60- 8pcs</p>	<p style="text-align: center;"><b>2</b></p>  <p style="text-align: center;"><b>Hex - Head bolts</b> Ø1/4" * 25- 4pcs</p>	<p style="text-align: center;"><b>3</b></p>  <p style="text-align: center;"><b>Hexagonal bolts catch wood</b> Ø1/4" * 50 - 10pcs</p>	<p style="text-align: center;"><b>4</b></p>  <p style="text-align: center;"><b>Horizontal - Hold bolts</b> Ø1/4" - 8pcs</p>
<p style="text-align: center;"><b>5</b></p>  <p style="text-align: center;"><b>Canopy head though</b> Ø1/4" - 4pcs</p>	<p style="text-align: center;"><b>6</b></p>  <p style="text-align: center;"><b>Wood dowel</b> Ø8 * 30 - 10pcs</p>	<p style="text-align: center;"><b>7</b></p>  <p style="text-align: center;"><b>Allen key</b> K4 - 2pcs</p>	<p style="text-align: center;"><b>8</b></p>  <p style="text-align: center;"><b>Wood crews</b> M4 * 30 - 16pcs</p>

# STEP 1



3



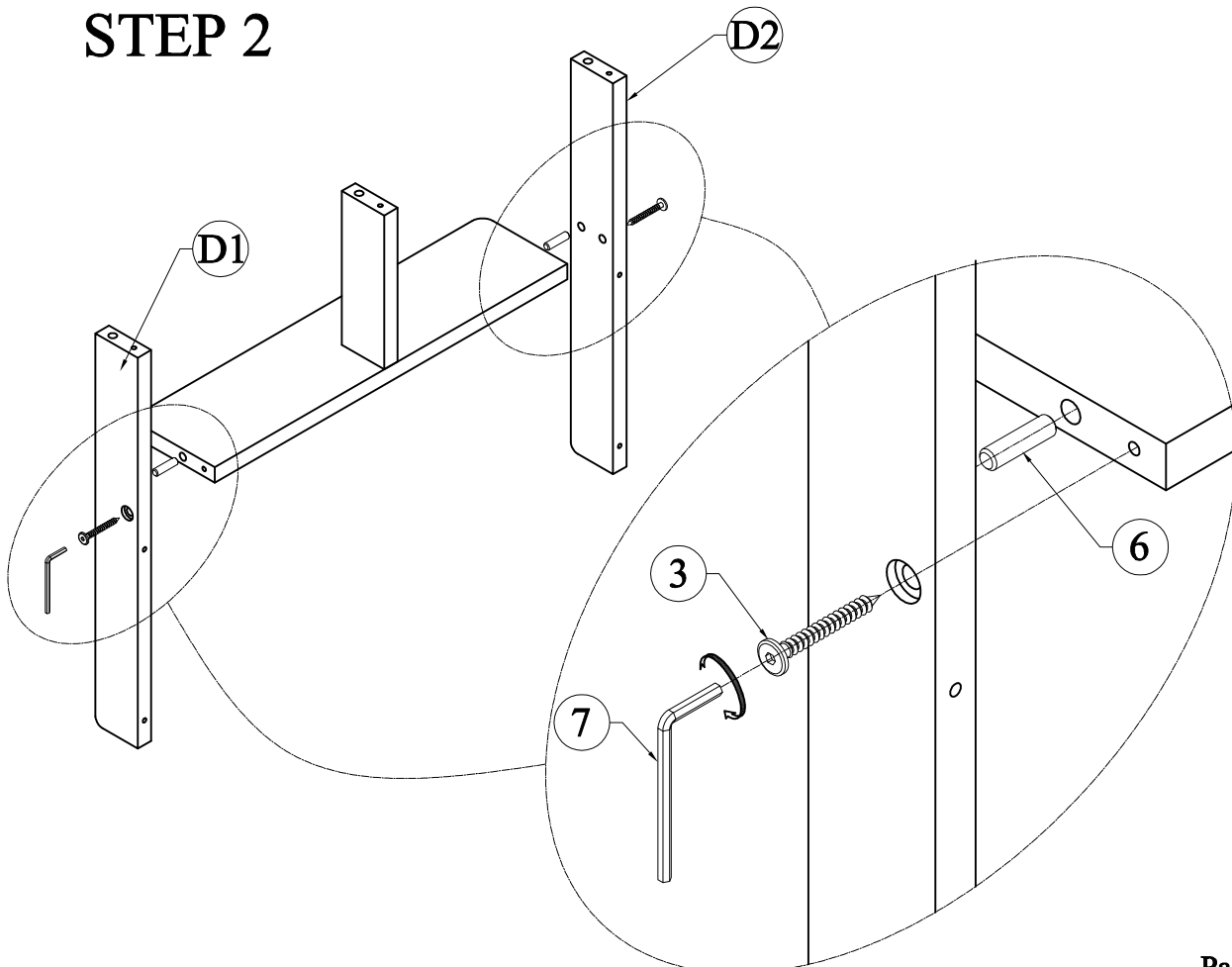
Hexagonal bolts catch wood  
Ø1/4" \* 50 - 1pc

6



Wood dowel  
Ø8 \* 30 - 1pc

# STEP 2



3



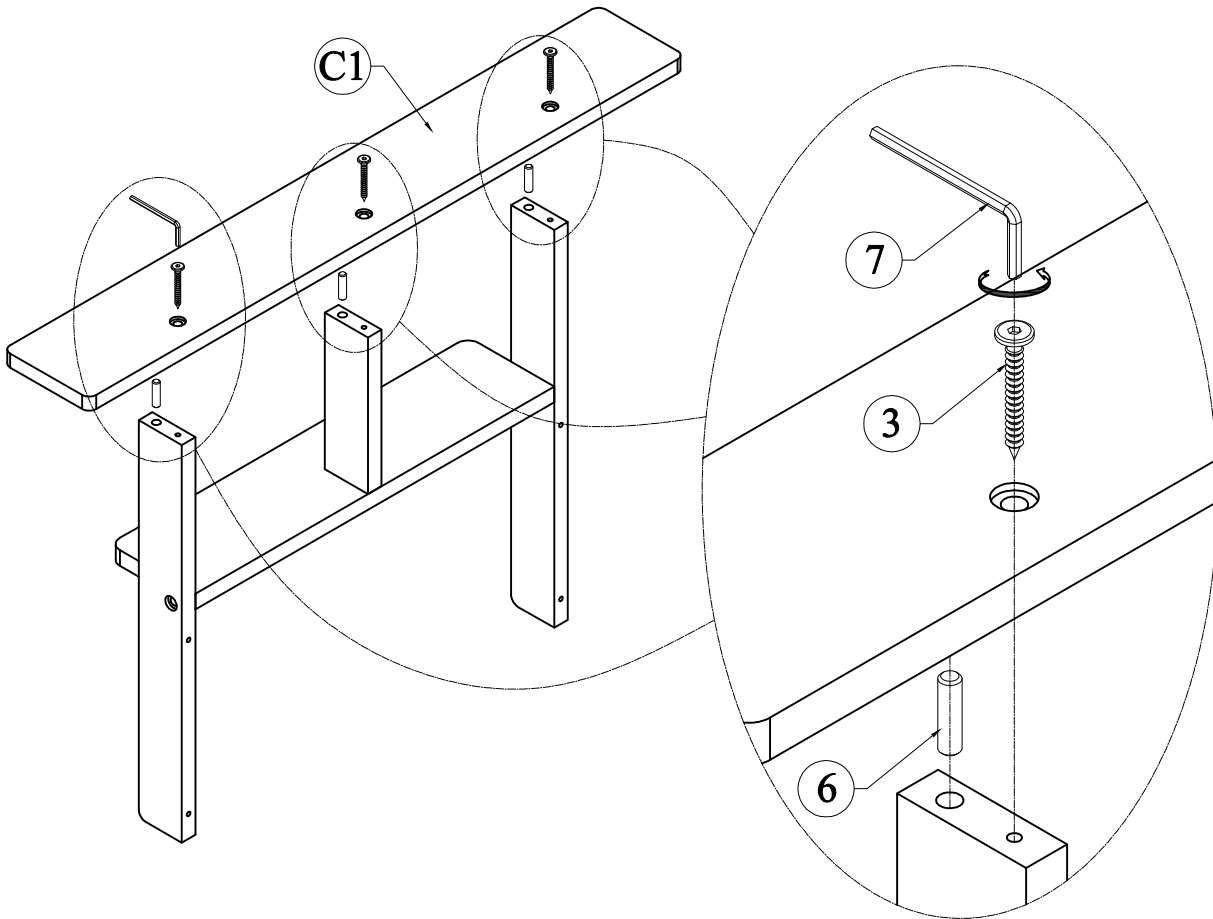
Hexagonal bolts catch wood  
Ø1/4" \* 50 - 2pcs

6



Wood dowel  
Ø8 \* 30 - 2pcs

# STEP 3



3



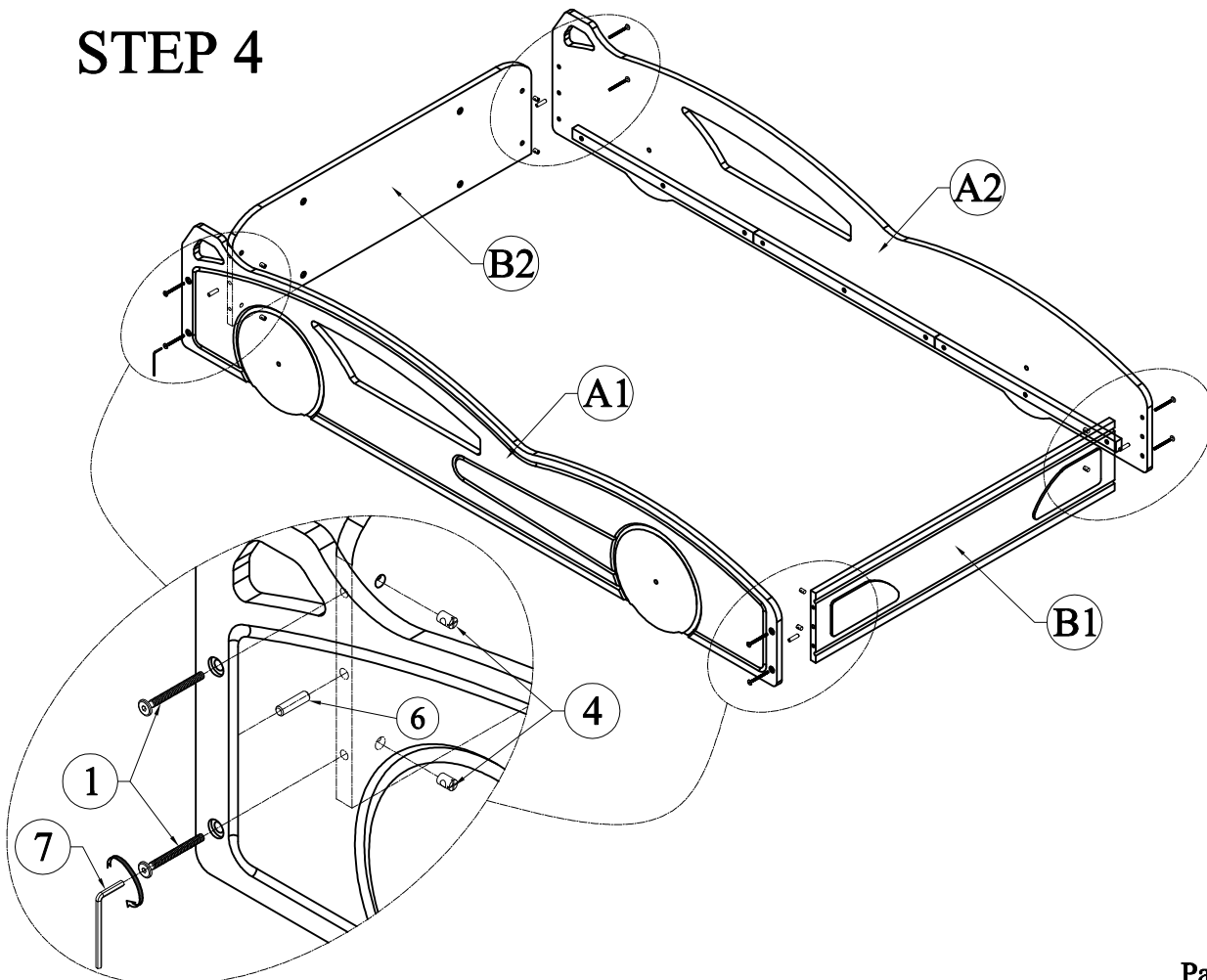
Hexagonal bolts catch wood  
Ø1/4" \* 50 - 3pcs

6



Wood dowel  
Ø8 \* 30 - 3pcs

# STEP 4



1



Hex - Head bolts  
Ø1/4" \* 60 - 8pcs

4



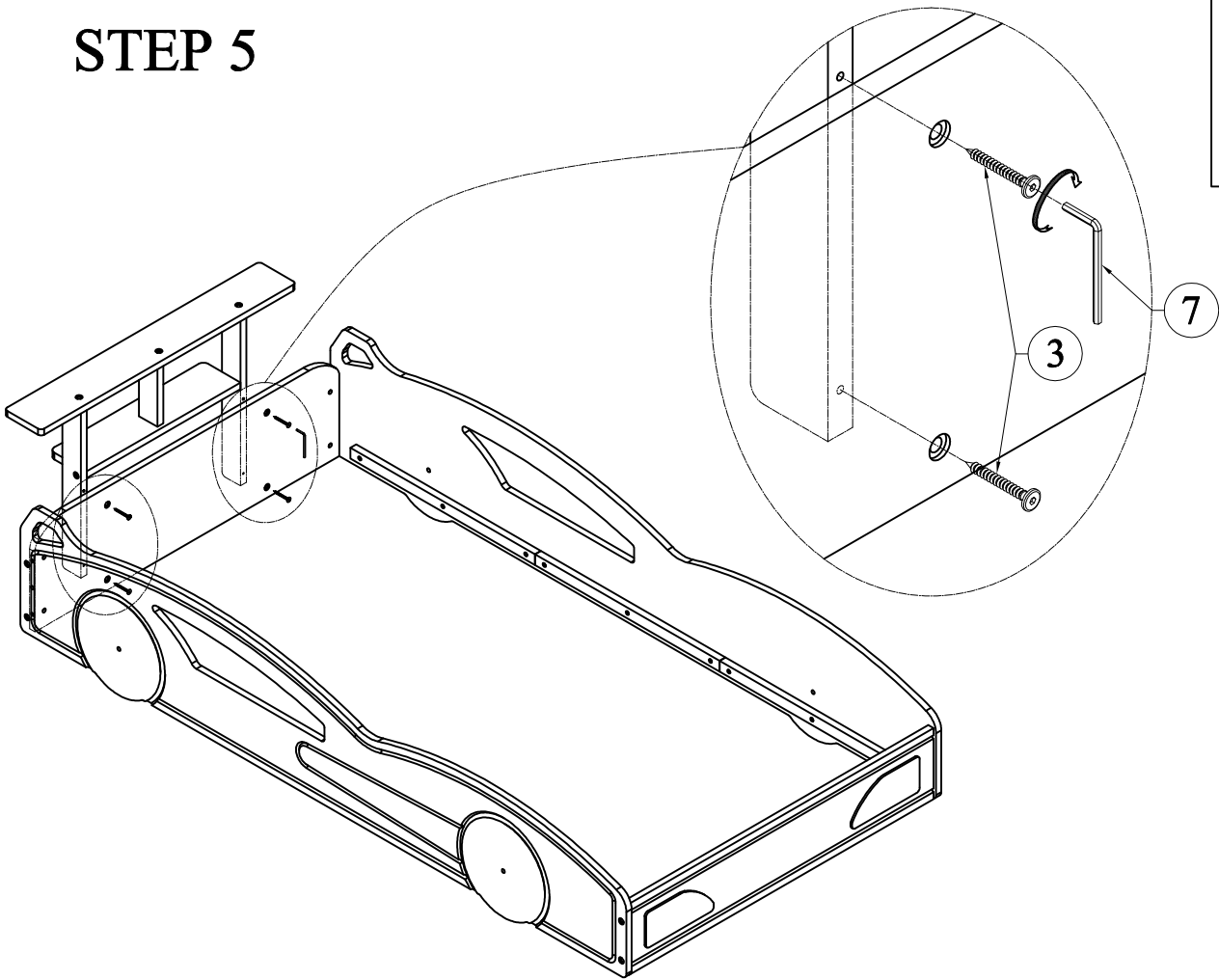
Horizontal - Hold bolts  
Ø1/4" - 8pcs

6



Wood dowel  
Ø8 \* 30 - 4pcs

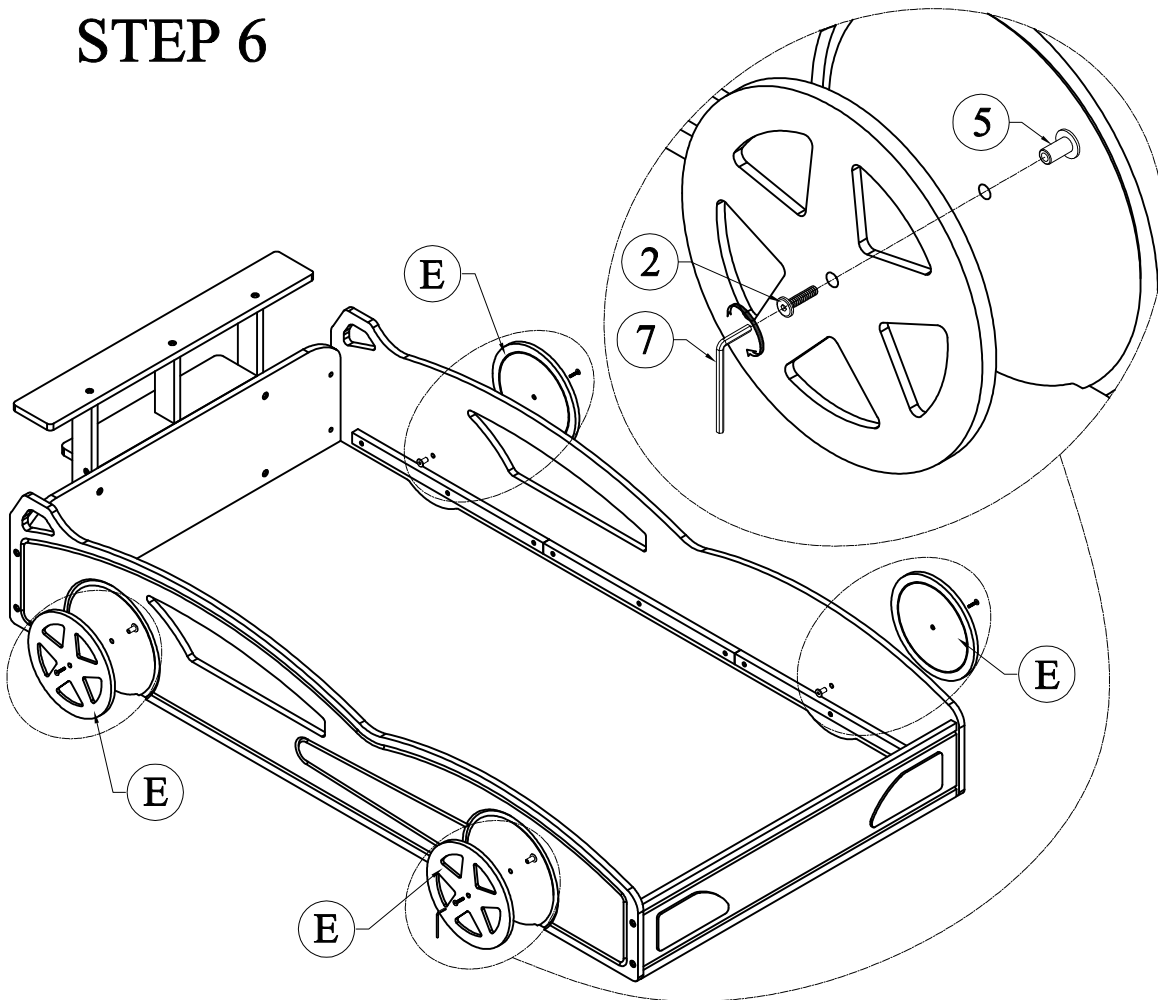
# STEP 5



3

Hexagonal bolts catch wood  
Ø1/4" \* 50 - 4pcs

# STEP 6



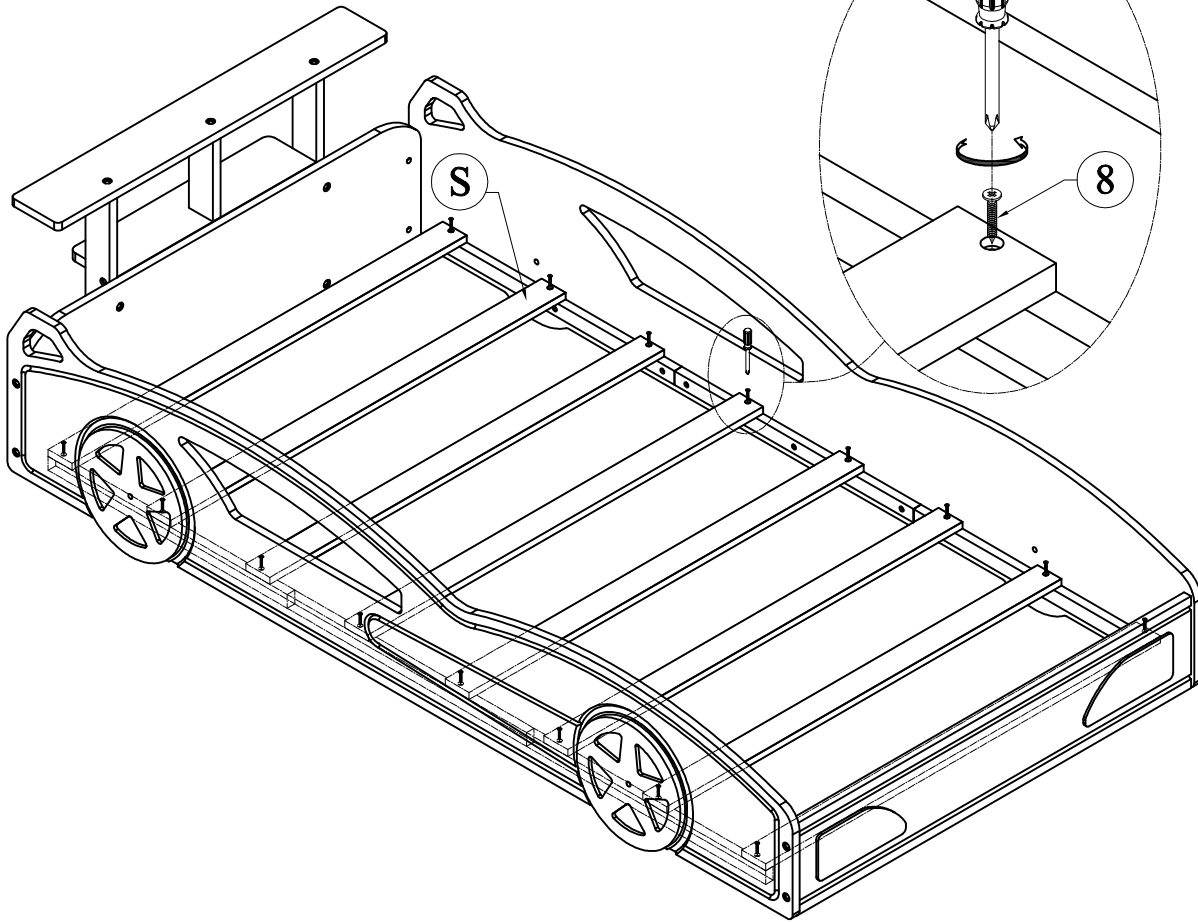
2

Hex - Head bolts  
Ø1/4" \* 25- 4pcs

5

Canopy head through  
Ø1/4" - 4pcs

# STEP 7



# COMPLETED

