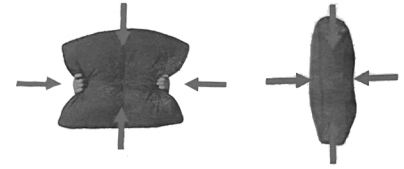


- Please make sure you have all of parts listed, Before you begin to assemble it.
- Please follow our instruction step by step, or follow our video.
- Manually install sofa with our tools is highly recommended, please use the LOW SPEED when using electrical tools
- Ensure all parts align correctly before fully tightening hardware, please make sure you have adjustment space to align the screws hole.
- MORE THAN TWO ADULTS WILL HAVE A BETTER INSTALLATION EXPERICE

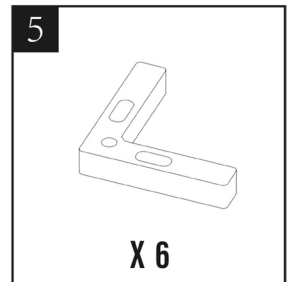
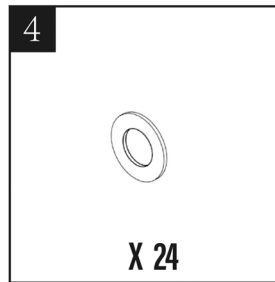
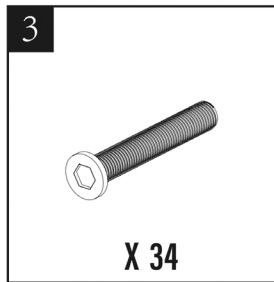
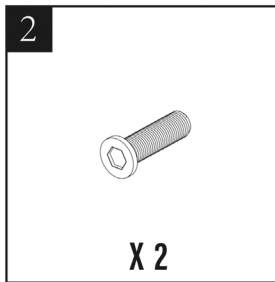
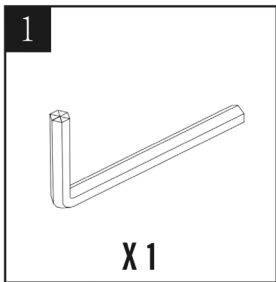
## CUSHION NOTE

- The sofa cushion is vacuumed sealed. After opening the bag, some time and fluffing will be required for the cushion to return to the original thickness.
- Rub and flap the cushion to return to original thickness before use .



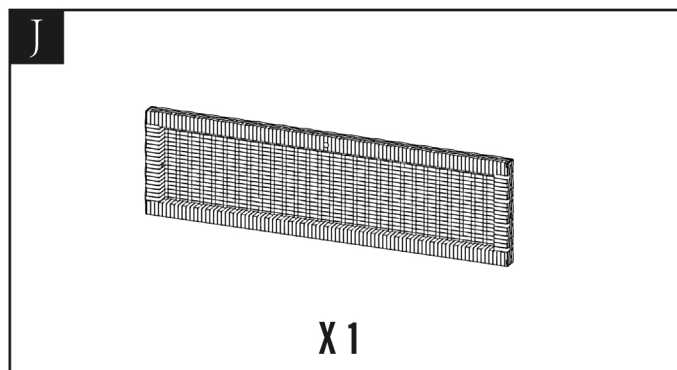
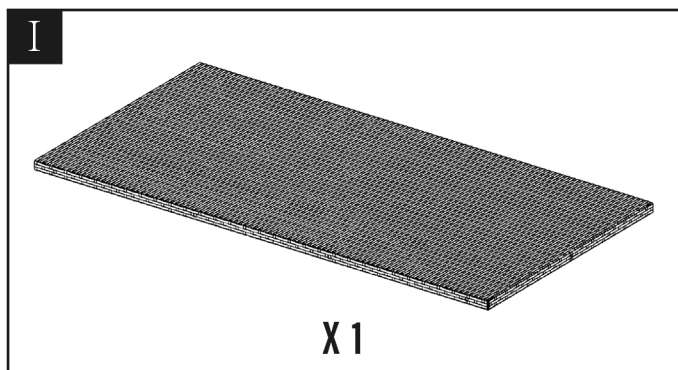
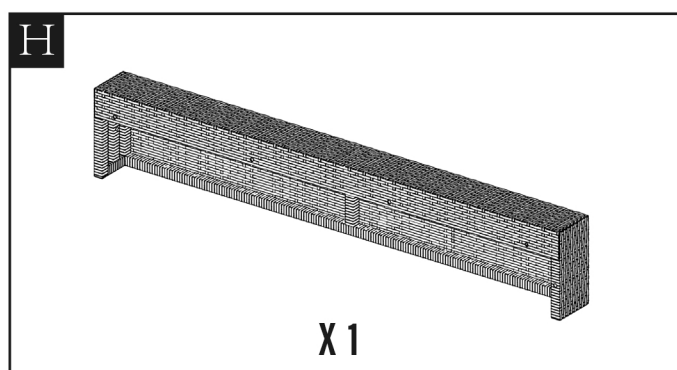
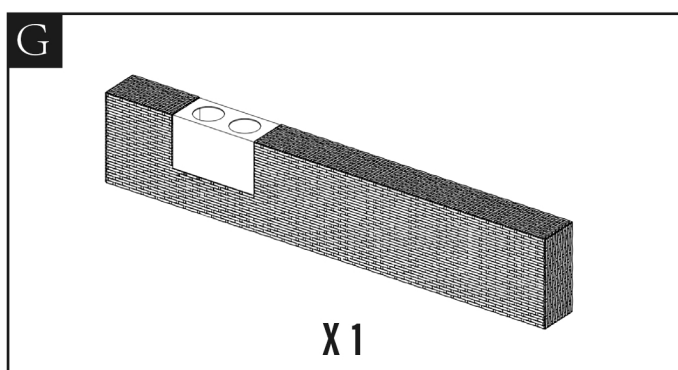
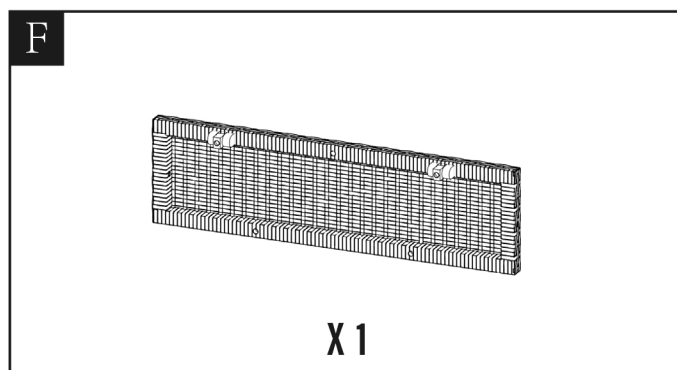
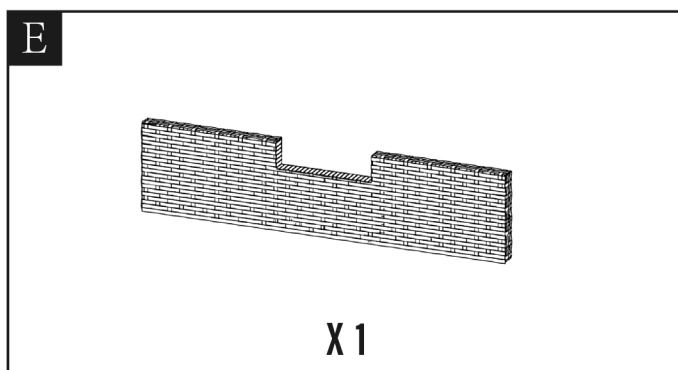
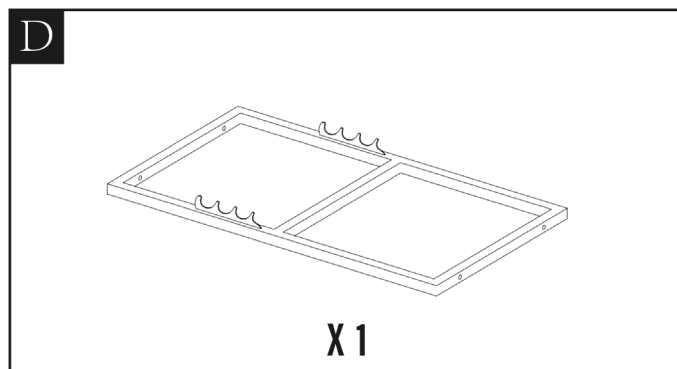
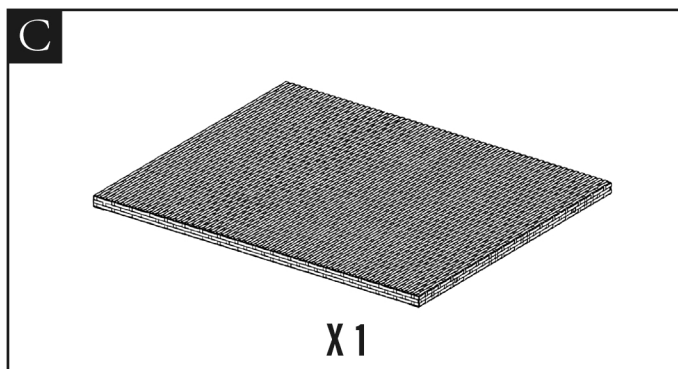
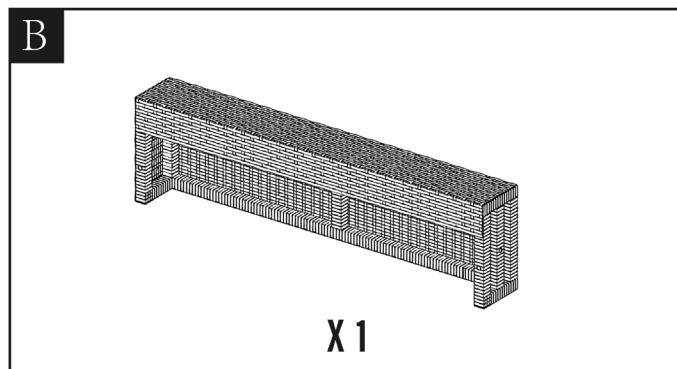
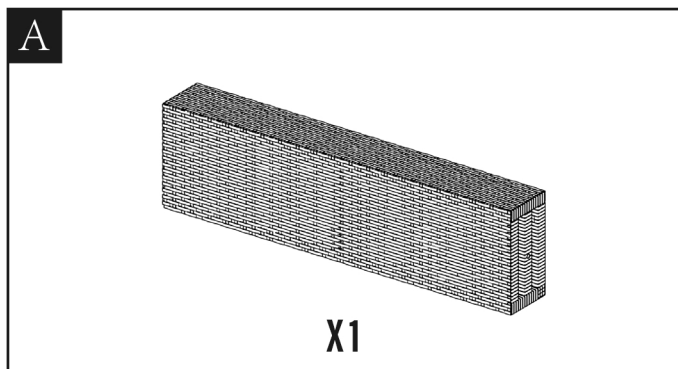
## Hardware

1 SET IN BOX

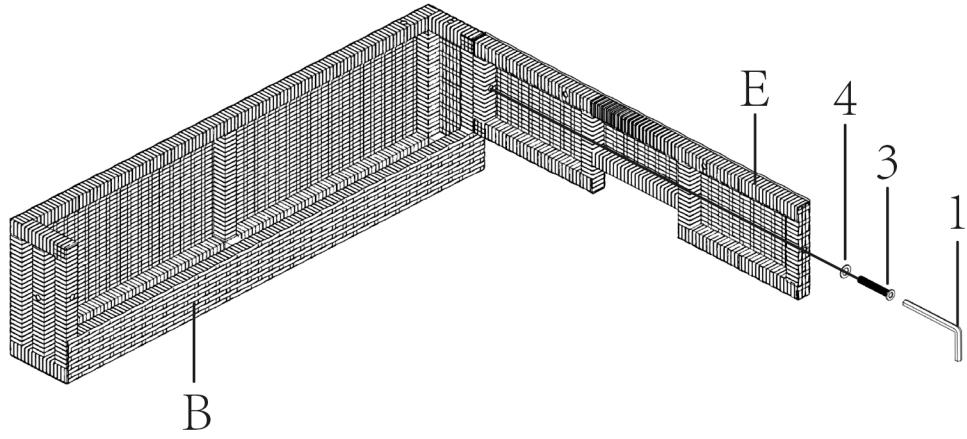


# Parts

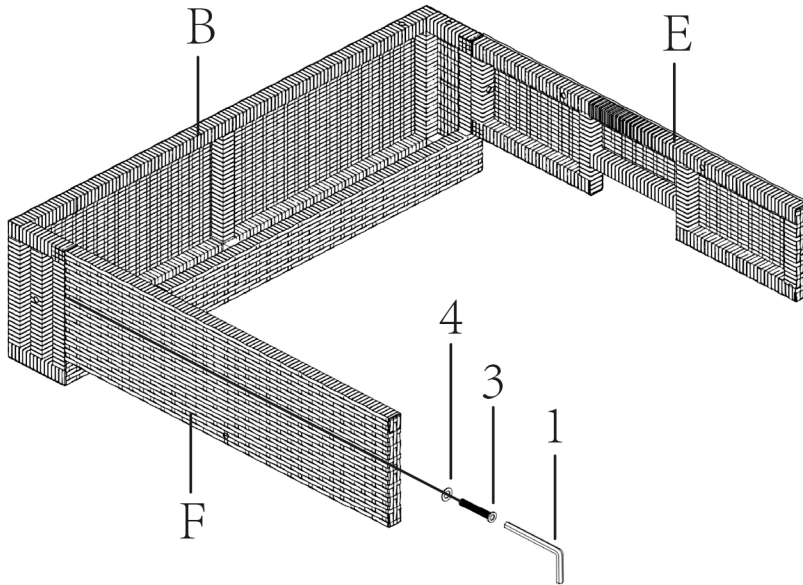
1 SET IN BOX



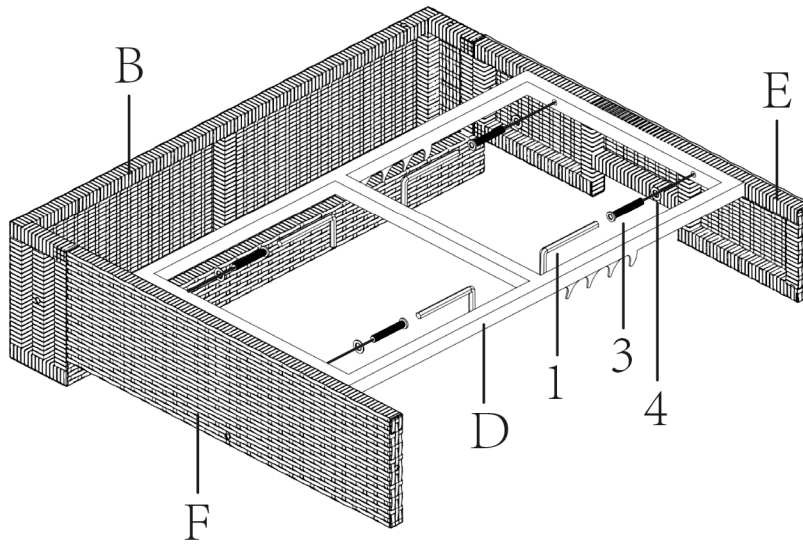
1



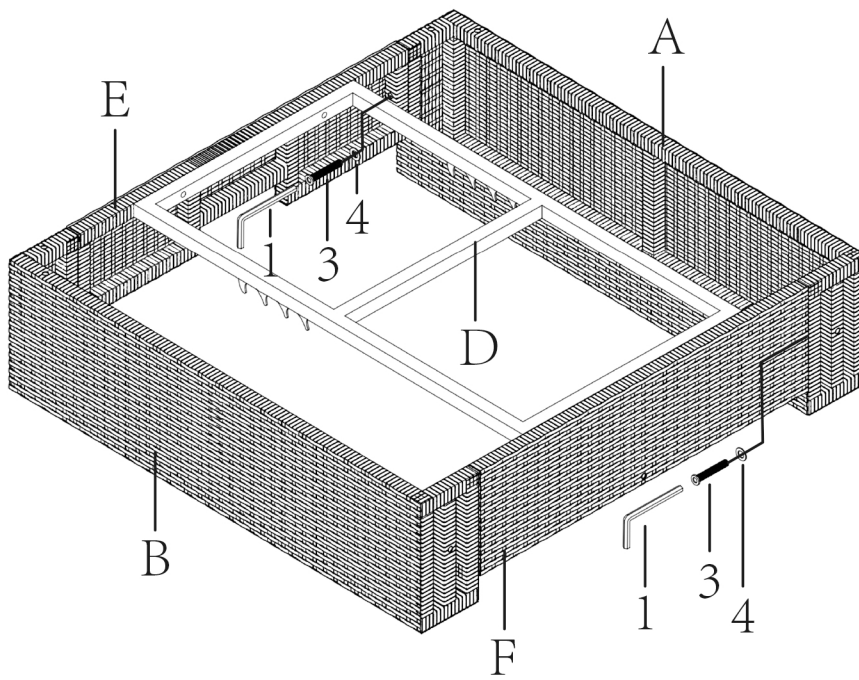
2



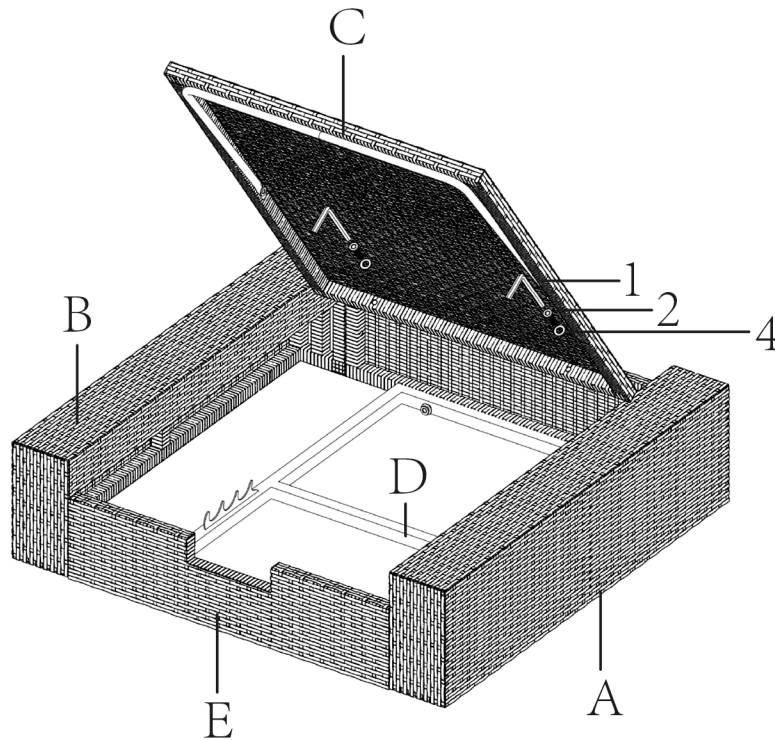
3



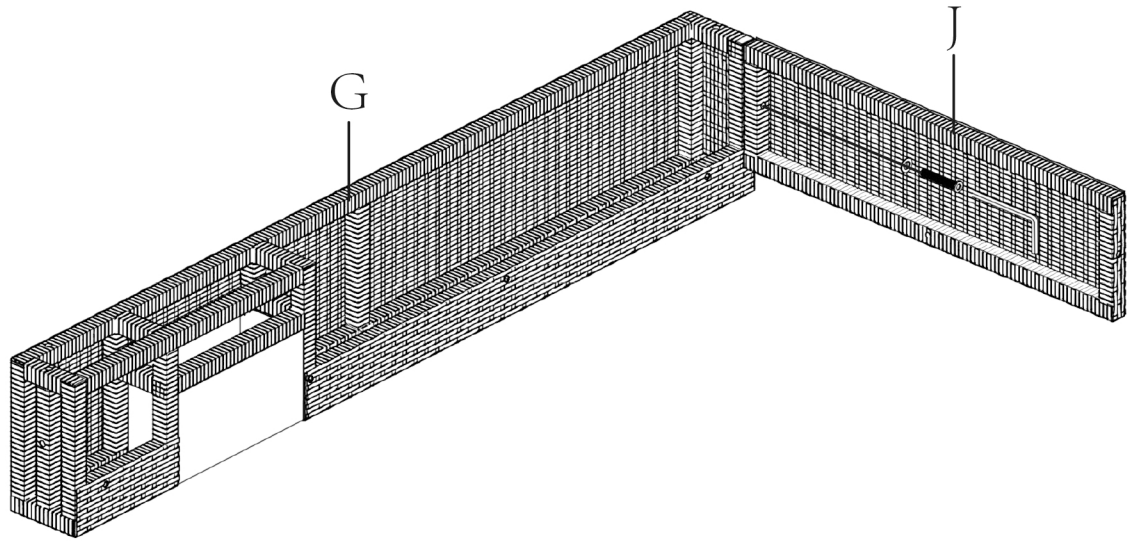
4



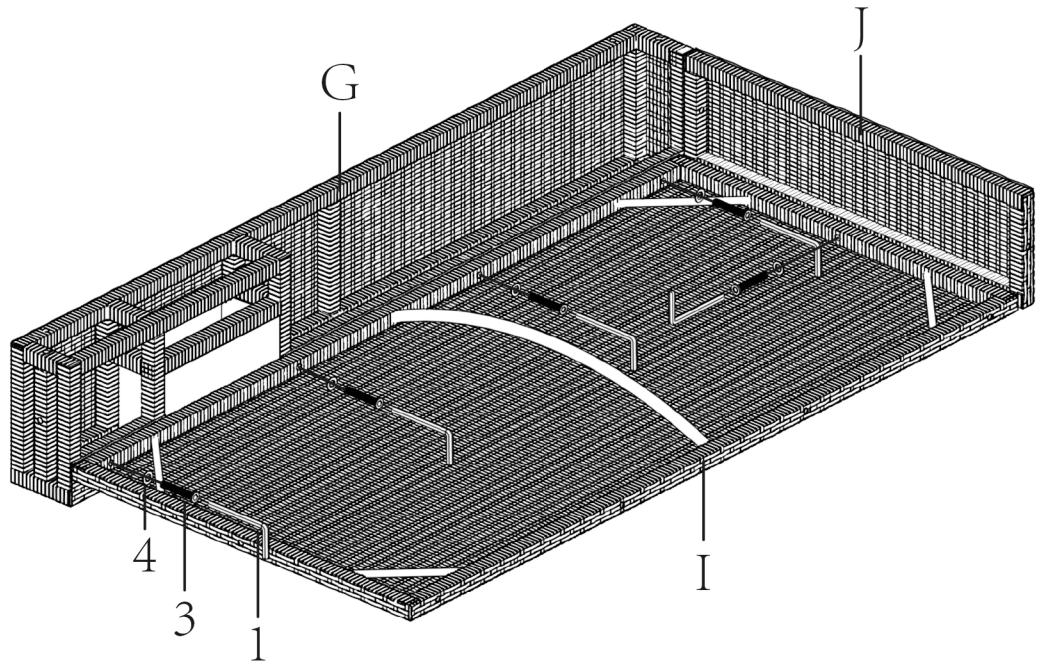
5



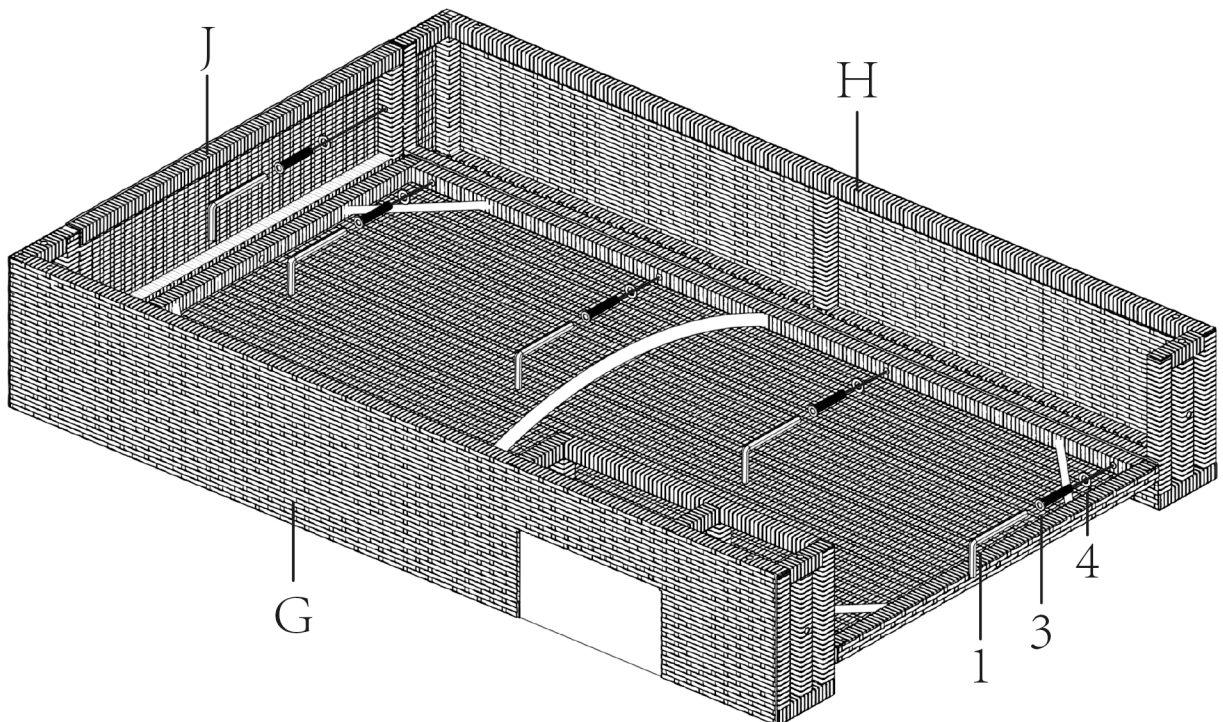
6



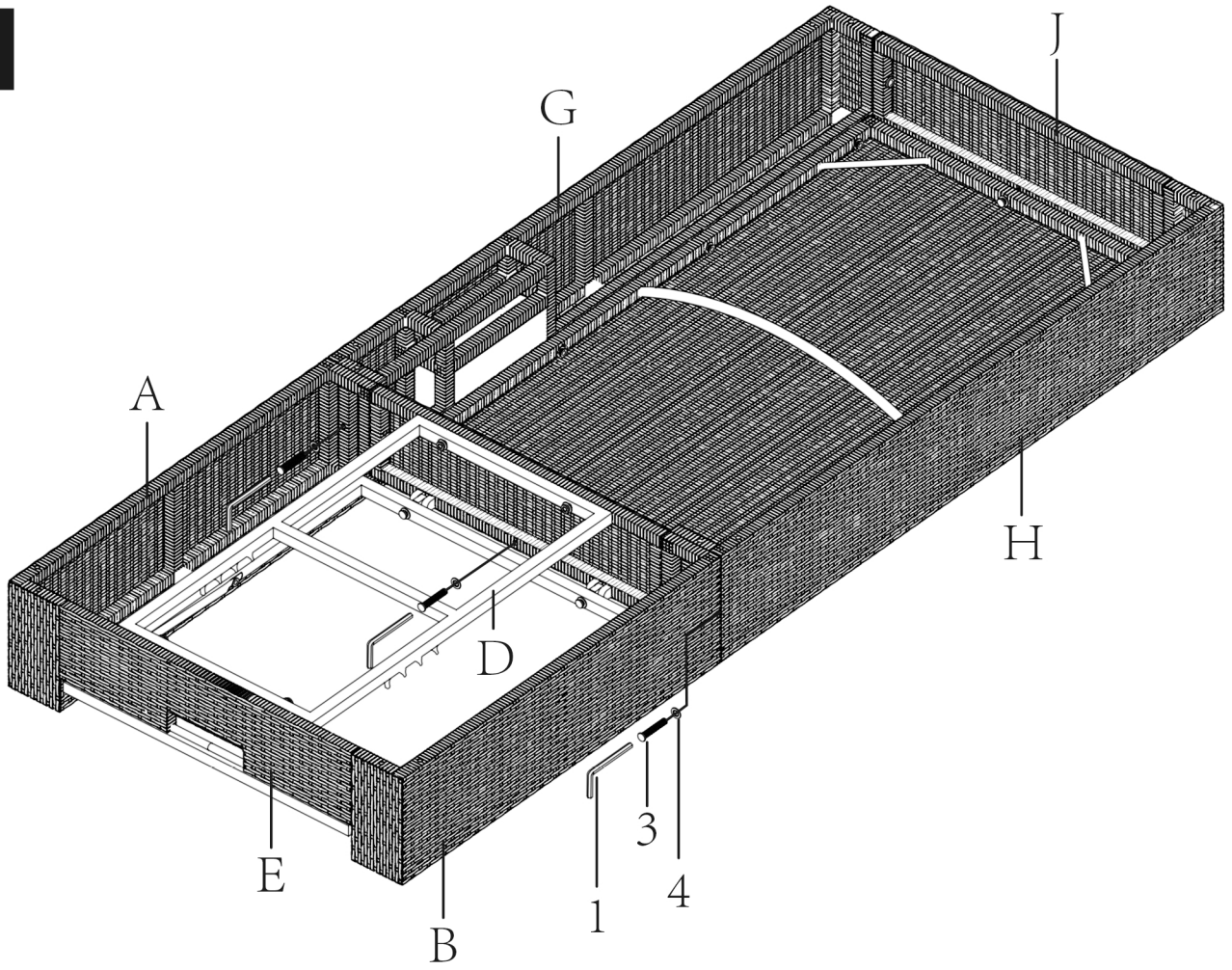
7



8



9



10

