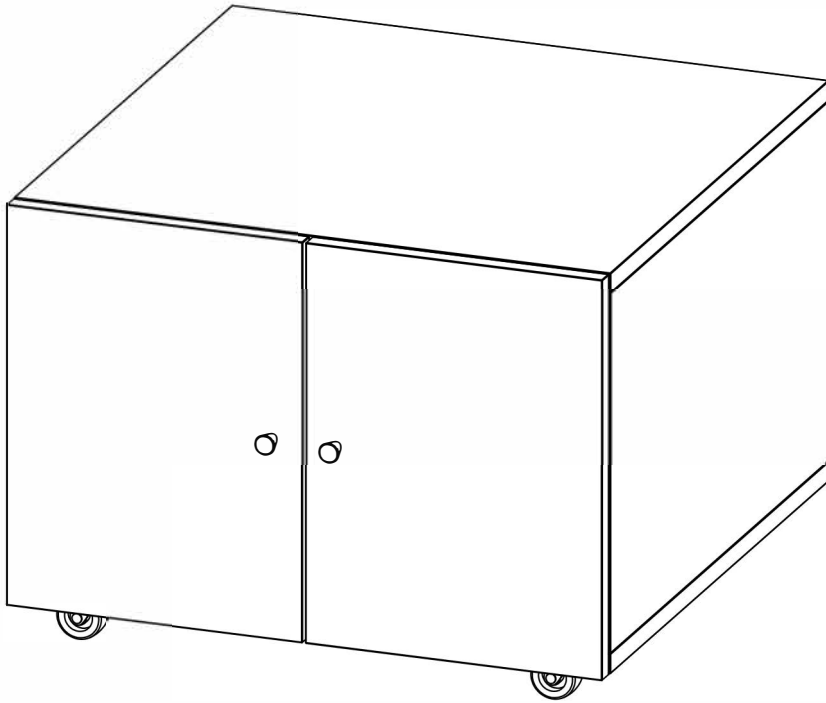
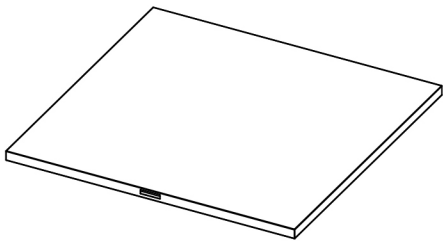


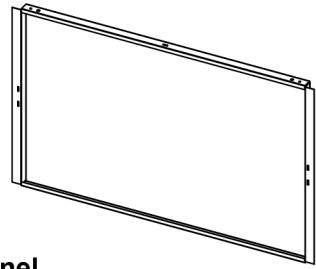
Installation & Assembly



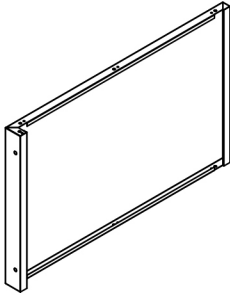
**NOTE: PLEASE AN ASSISTANT IS REQUIRED
ES NECESARIO UN AYUDANTE UN ASSISTANT
ESTNECESSAIRE.**



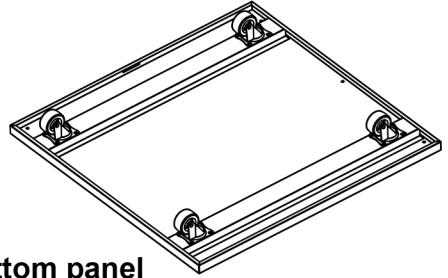
A: Top panel



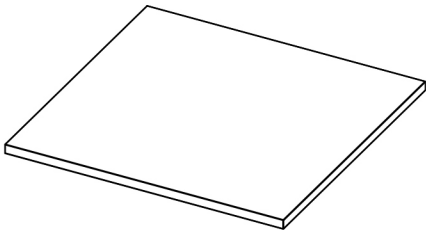
B: Back panel



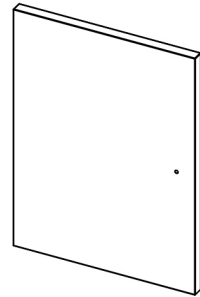
C: Panel x2



D: Bottom panel



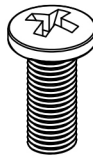
E: Shelving



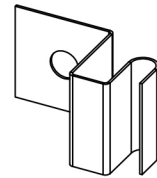
F: Door x2



5x12 Screw x22

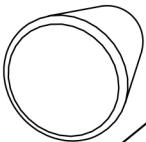


4x8 Screw x4



Hinge x4

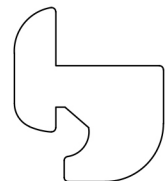
Hold hands x2



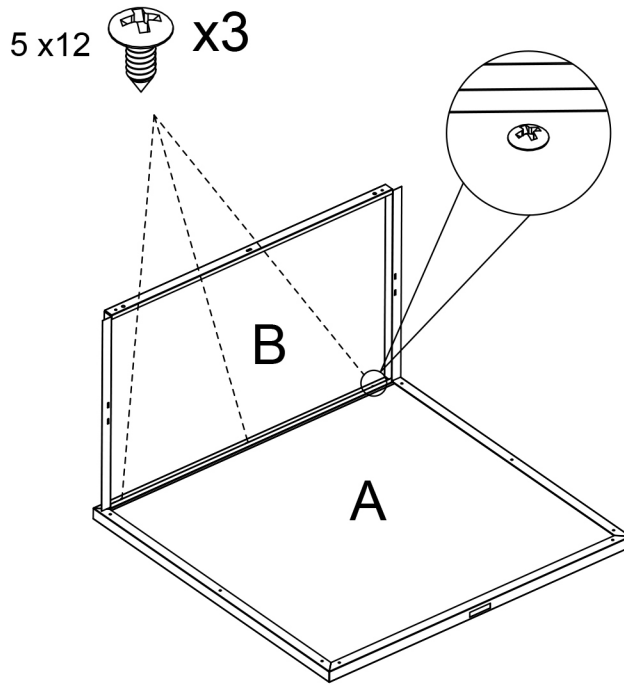
Screw x2



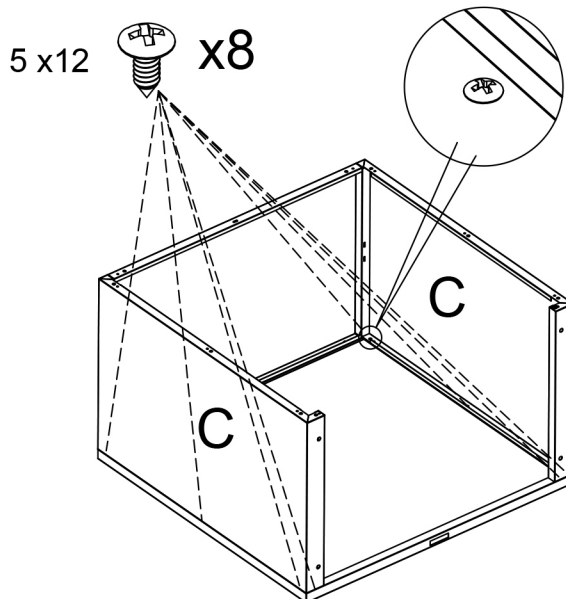
Door-hinge x4



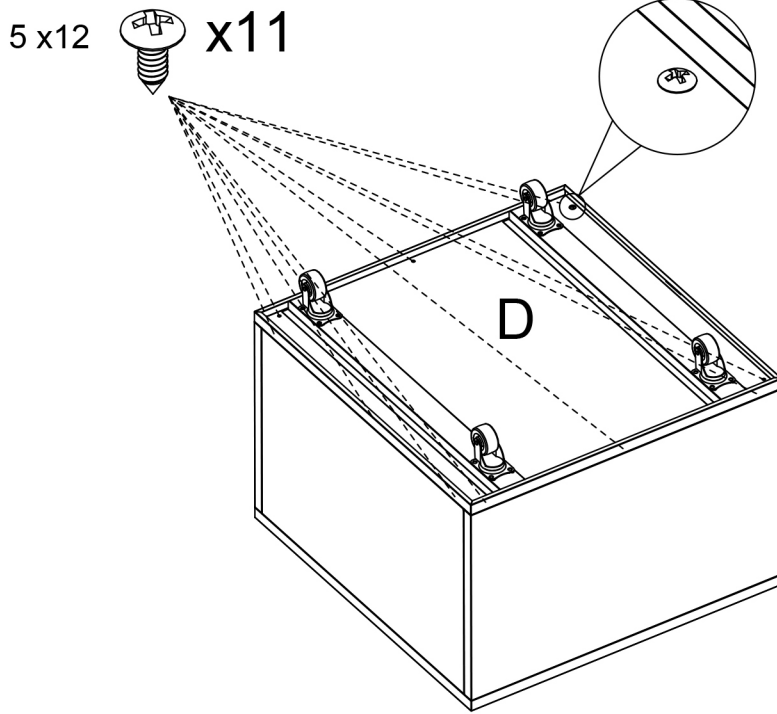
Shelf support x4



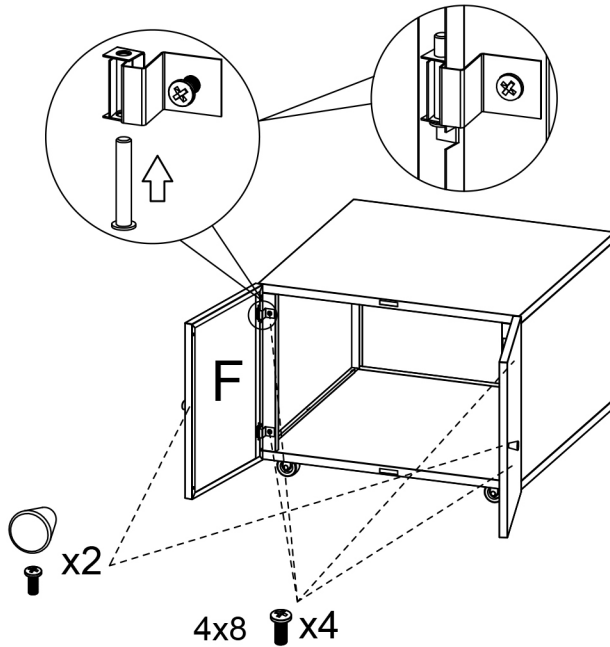
1.Assemble A and B with screws.



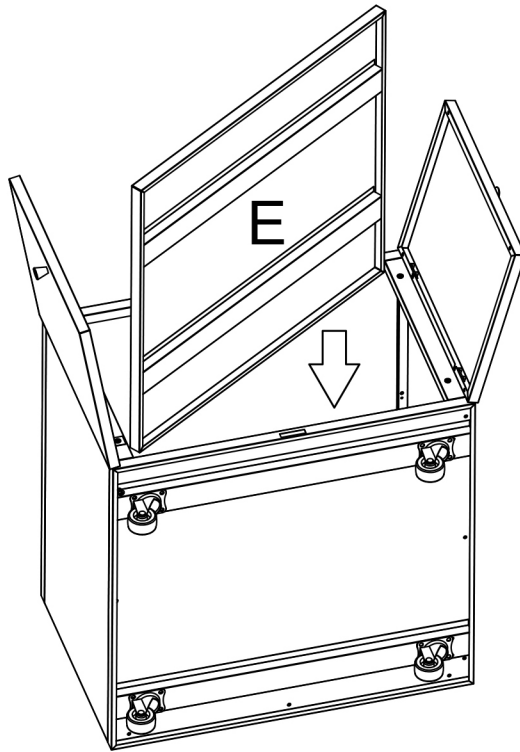
2.Assemble C and B with screws.



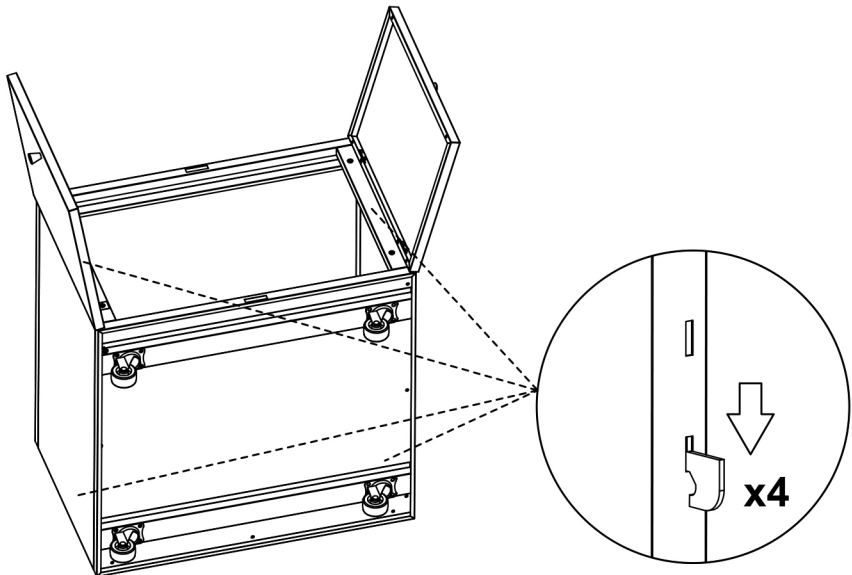
3.Install D with screws



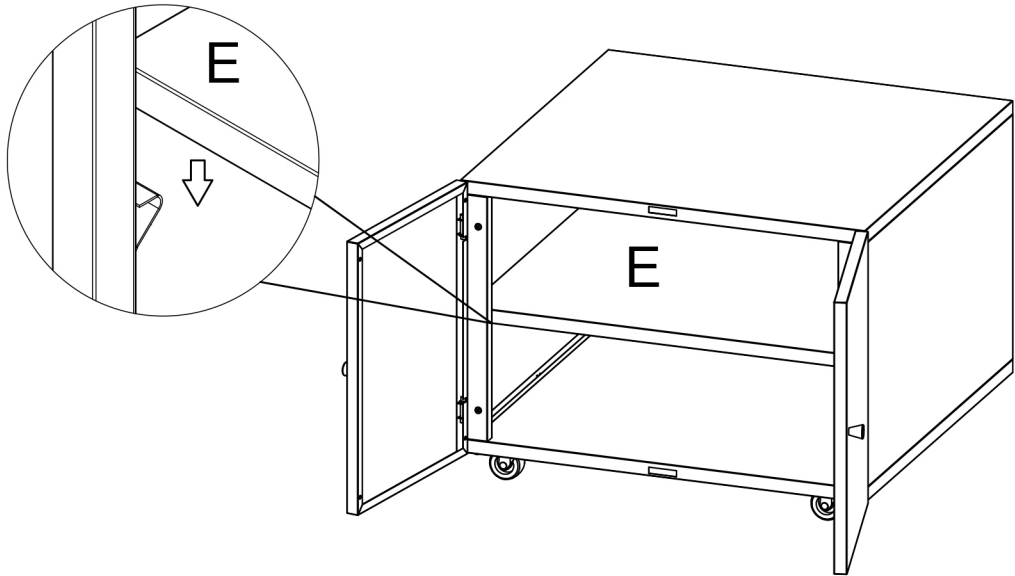
4.Use screws to install hinges and door hinges, F install Hold hands



5.Put in E



6.Install the Shelf support



7. Place E well

8. Note

- Do not tighten the screws until the cabinet has been assembled.
- Watch out for small parts to avoid swallowing by children.
- Please use a proper screwdriver to avoid damage to the screws.
- Be careful not to get cut on the edges or smashed when you move the cabinet.
- Be careful not to squeeze your fingers when tightening screws.