

ASSEMBLING & INSTALLATION INSTRUCTIONS

CEILING MOUNT FIXTURE

WARNING! SHUT POWER OFF AT FUSE OR CIRCUIT BREAKER .

ASSEMBLING THE FIXTURE (Fig.1)

1. Shut off the power at the circuit breaker box. Remove old fixture and all hardware from Junction Box.
2. Carefully unpack your new fixture and lay out all the parts on a clear area. Take care not to lose any small parts necessary for installation.
3. Thread the pipe screw part way into the center hole of the single bar and secure with hex nut.
4. Attach the single bar to the junction box using two box screws. The side of the single bar marked "GND" must face out. **The junction box is not included.**
5. Install the light bulbs in accordance with the fixture specifications
NOTE: DO NOT EXCEED THE SPECIFIED WATTAGE!
6. Please see the **Fig 1.1 (round frame Top View)**. Loosen the tie crystal cluster of cord and organize appropriate. Raise the acrylic plate(C), round frame (D) to the bottom of the lamp body (B), aligning the center hole with pipe nipple and screw it with the finial (G).
7. Raise the end grapnel of the crystal cluster(E) hooked the middle ring of round frame(D); raise the end grapnel of the crystal cluster(F) hooked the inside ring of round frame(D).
8. While holding the shade assembly towards the ceiling, connect the electrical wires as Shown in Fig.2, making sure that all wire nuts are secured. You may have to wrap the connections with electrical tape. If your outlet has a ground wire (green or bare copper), connect the fixture ground wire to it. Otherwise connect fixture's ground wire directly to the mounting plate with the green screw provided. After wires are connected, tuck them carefully inside the Junction Box.
9. Raise the shade assembly onto the junction box, aligning screws on single bar with mounting holes in lamp body(B) and lock it securely with the ball nut (A).

Your installation is now complete. Return power to the junction box and test the fixture.

Fig.1

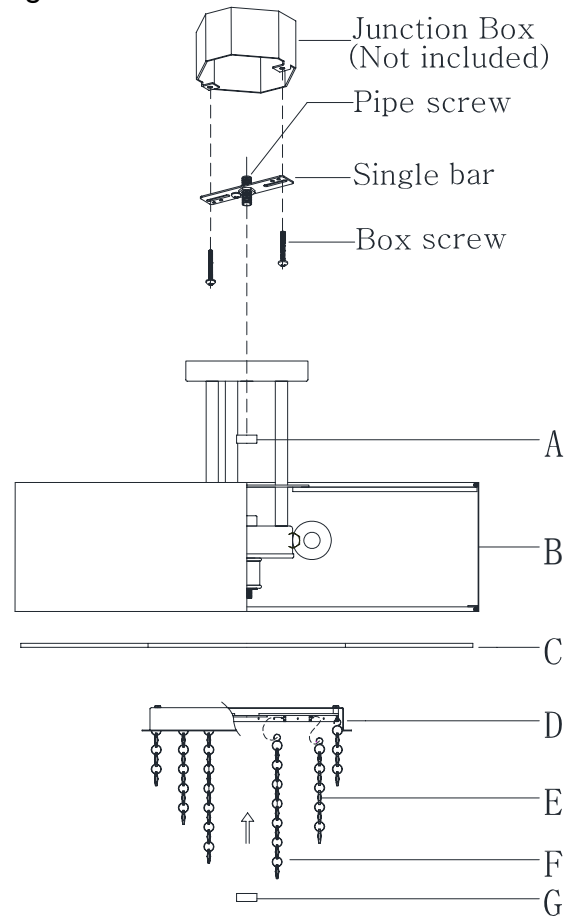


Fig 1.1

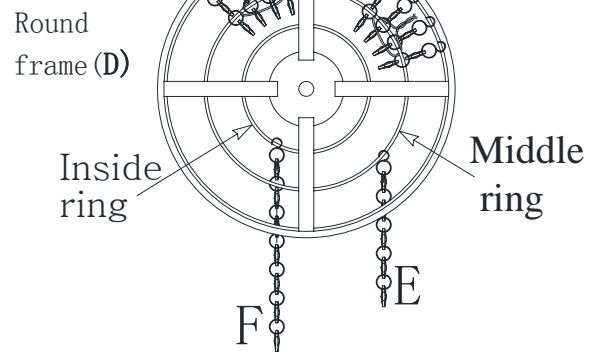


Fig.2

