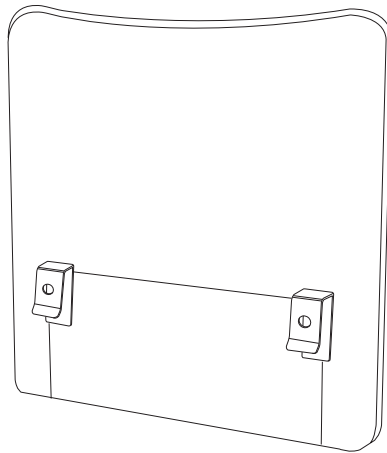





# Assembly Instructions

**Note: Please help to read my instruction before you ready to assemble.**

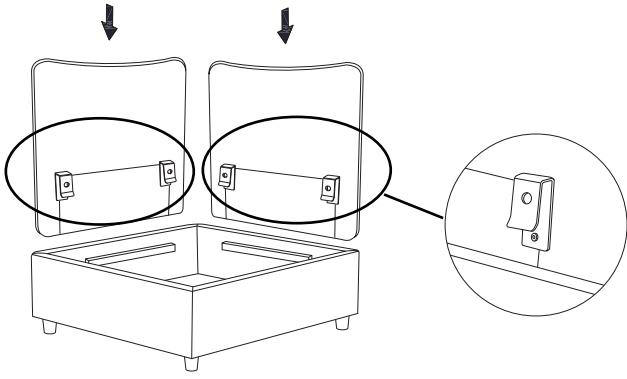
## ARM OR BACKREST



## Hardware

①		Metal Connector	2
②		Bolt(M6*20MM)	5
③		Allen Wrench(S4)	1

Step 1



Step 2

