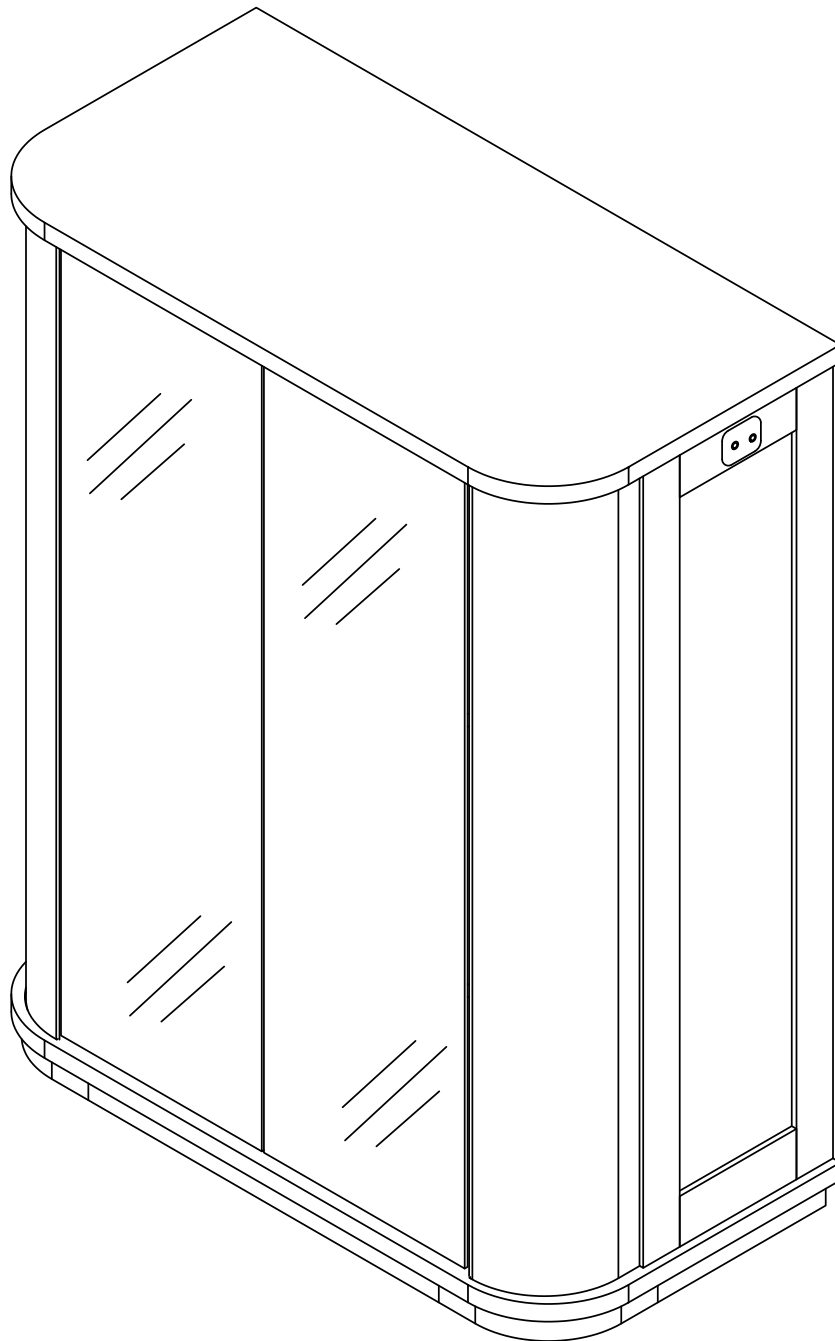
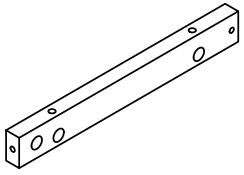
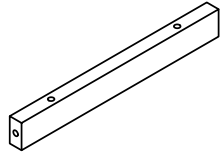


Product Installation Instructions





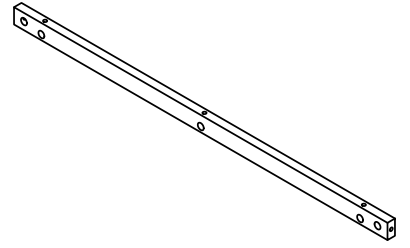
Ax1



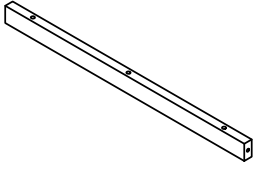
Bx1



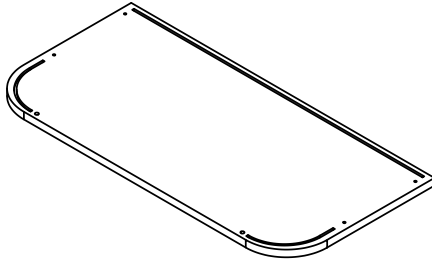
Cx2



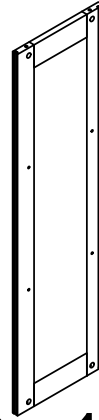
Dx1



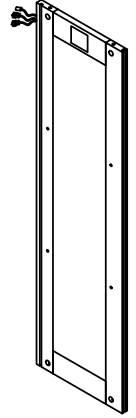
Ex1



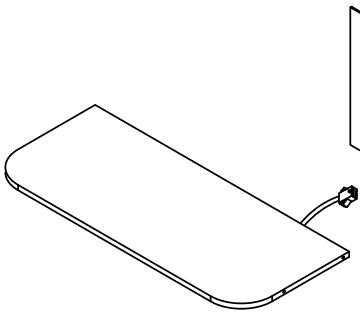
Fx1



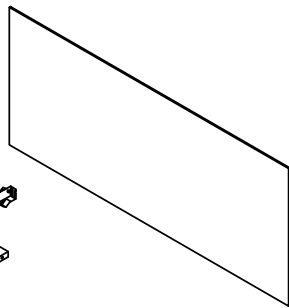
Gx1



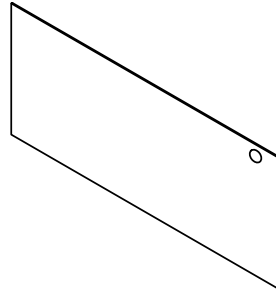
Hx1



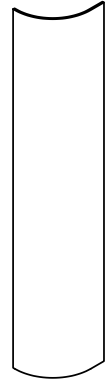
Ix2



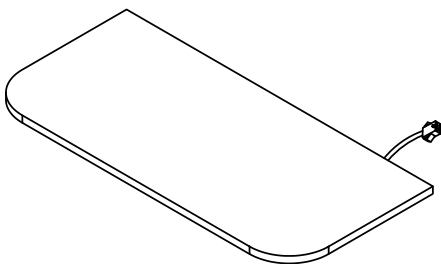
Jx1



Kx2



Lx2



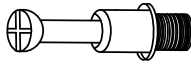


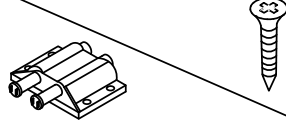
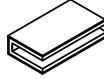
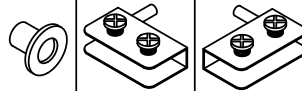

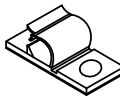
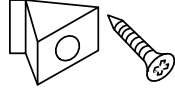

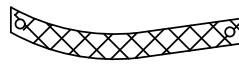
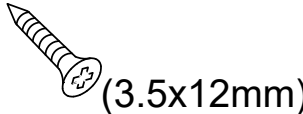

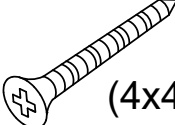
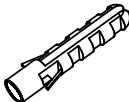
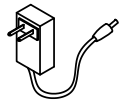
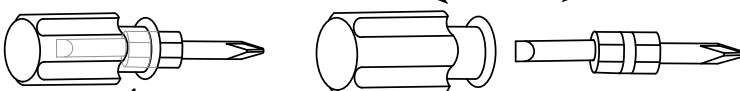
Mx1



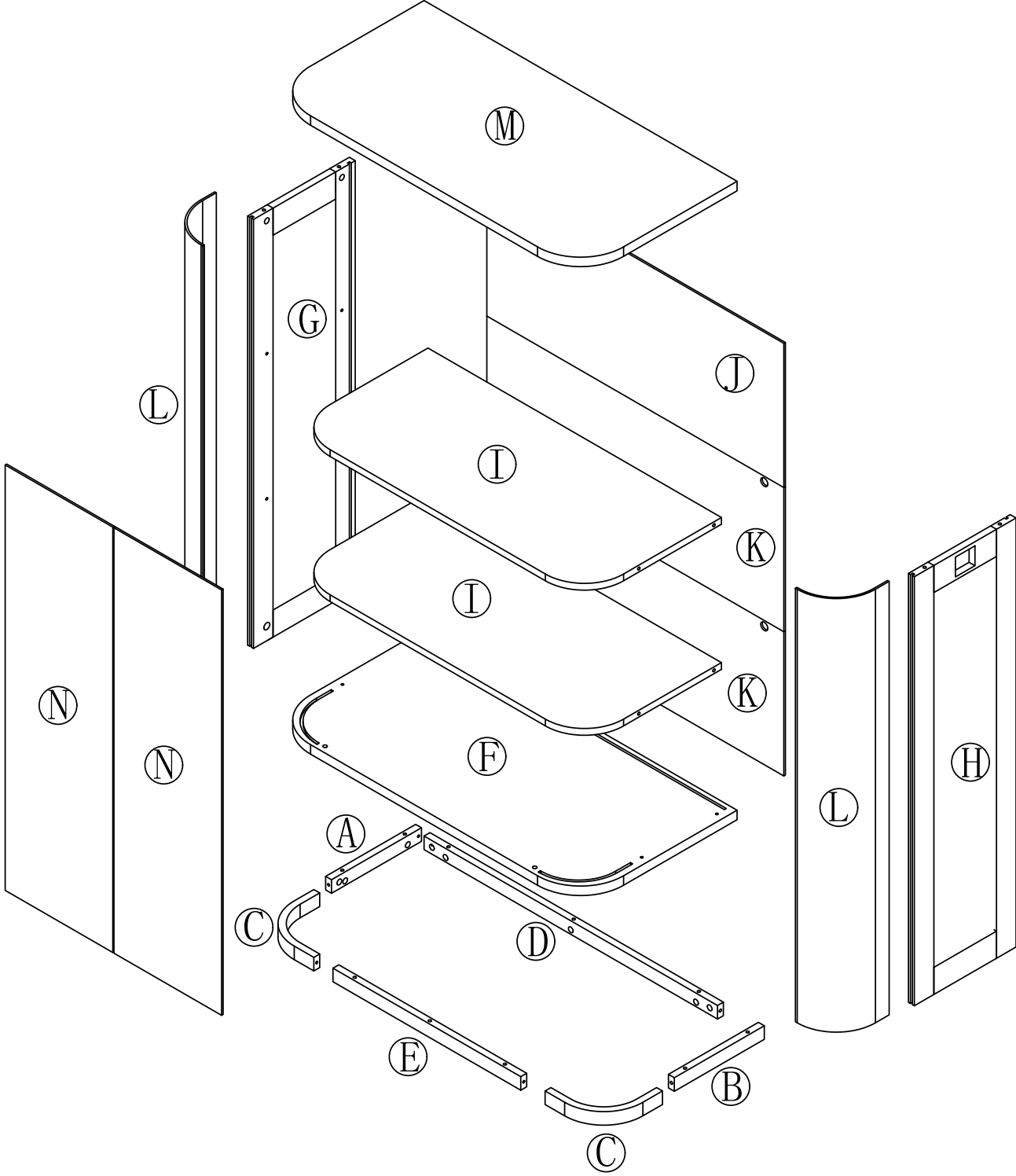
Nx2



1

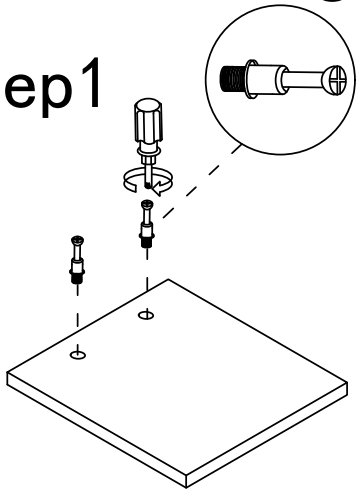
①		Two in one screw (6x28mm)	32pcs +4pcs
②		Two in one nut (10x12mm)	32pcs +4pcs
③		Non-slip pads (50x10x2mm)	10pcs +2pcs
		Rebound device & Screw (3x16mm)	4pcs +1pcs 1pcs
④		Iron sheet	2pcs
		Hinge	4pcs 2pcs 2pcs
⑤		Double end connecting line	1pcs
⑥		Wire clamp	2pcs +1pcs
⑦		Fixing clip & screw (3x16mm)	10pcs +2pcs
⑧		Foot nail	6pcs +2pcs
Anti tipping hardware			
⑨	 x1	 (3.5x12mm) x1	 x2
		 (4x45mm) x1	 x1
		AC/DC Adapter (12V=2.0A)	1pcs
Double-head screwdriver, use as required  1pcs			
			2

Product structure decomposition

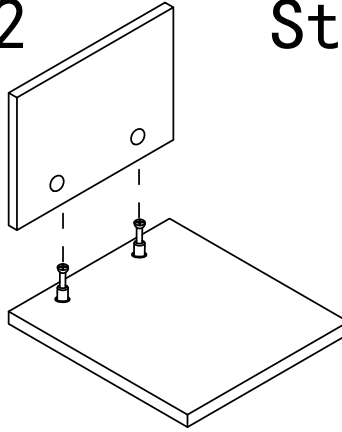


Use parts ① and ②

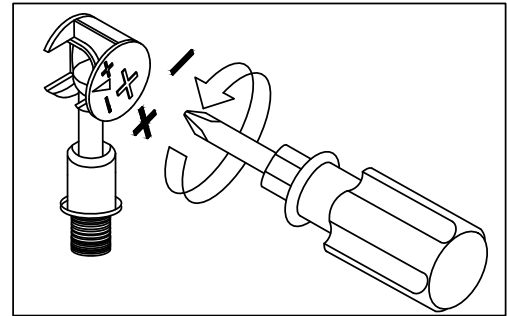
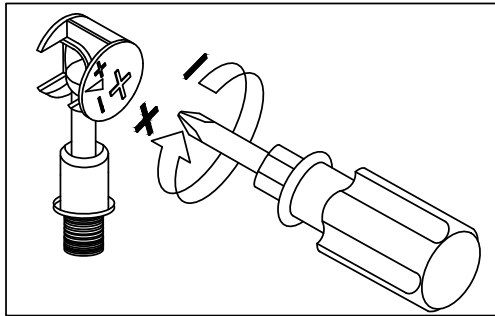
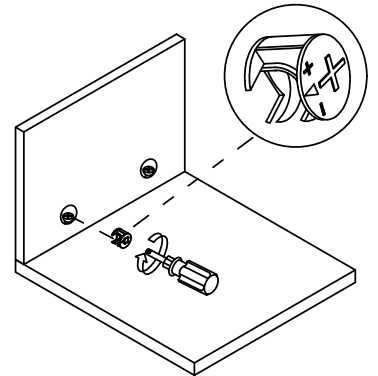
Step1



Step2



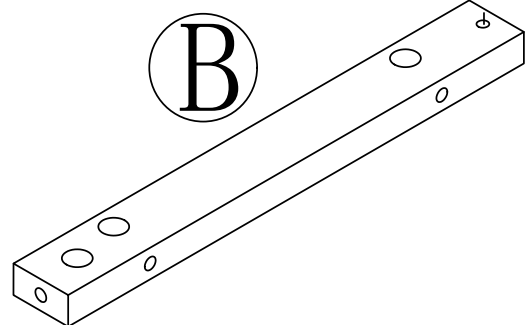
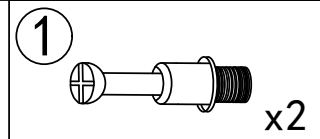
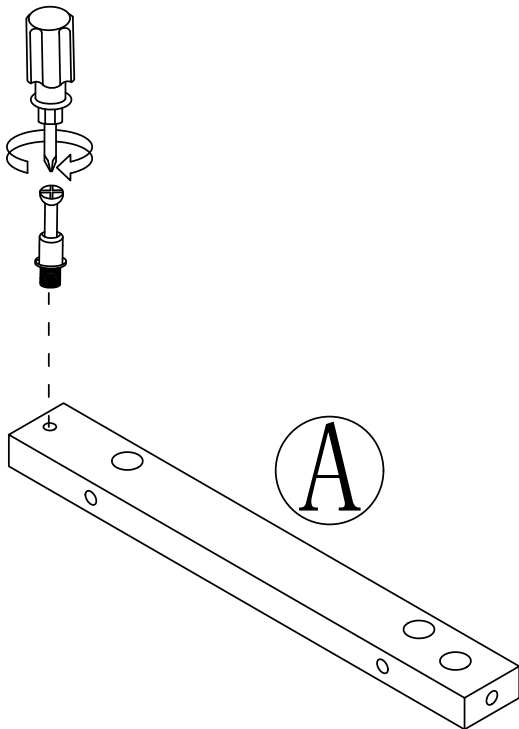
Step3



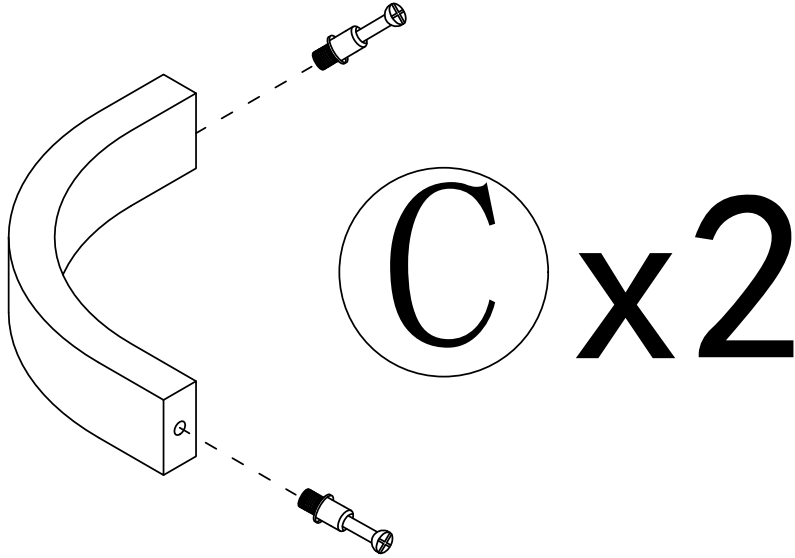
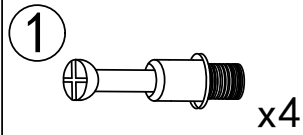
Use a screwdriver to lock in the direction of the "+" sign

Disassemble along the direction of "-" sign

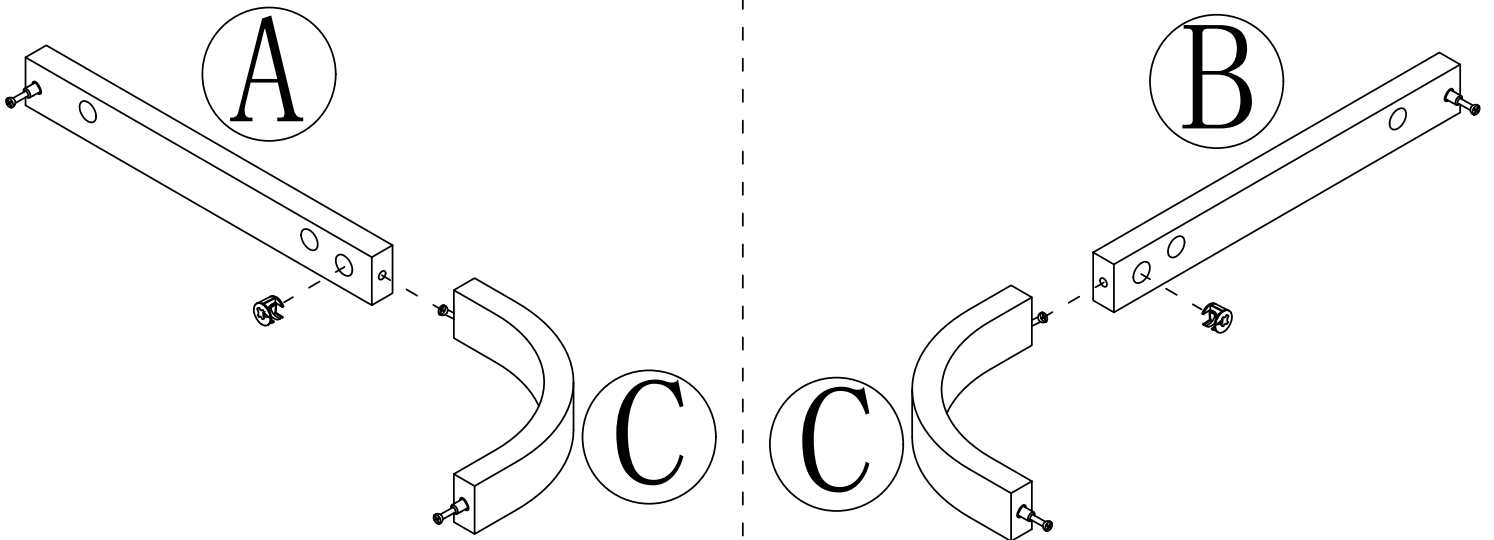
Step 1



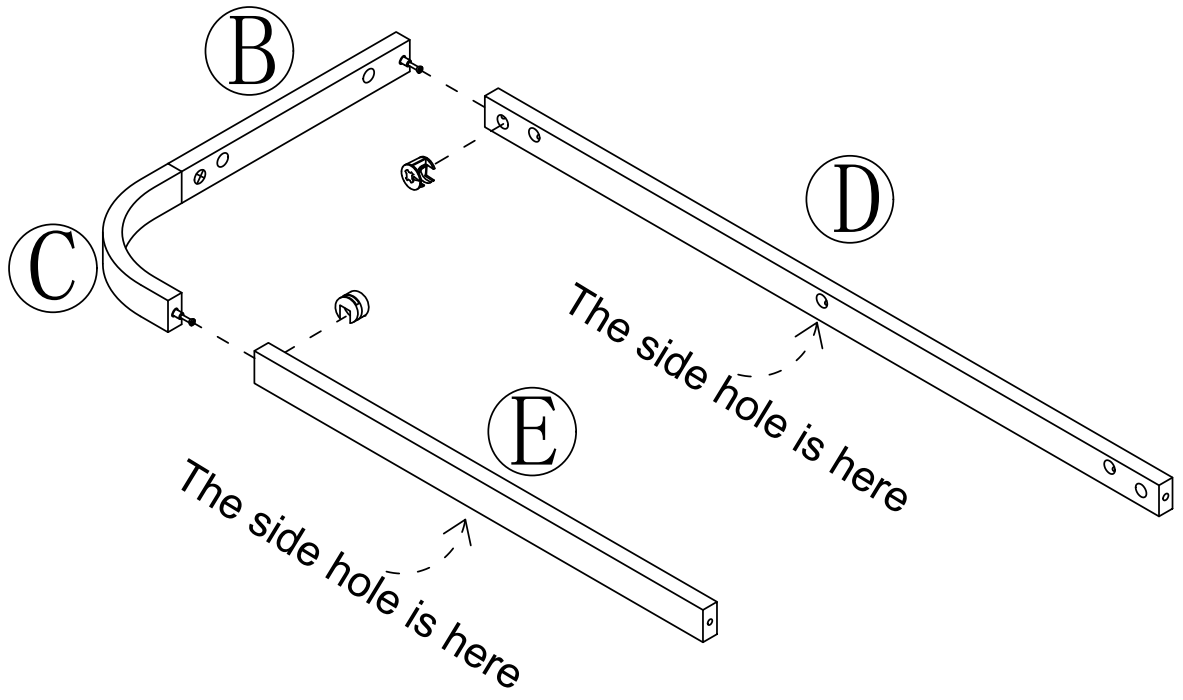
Step 2



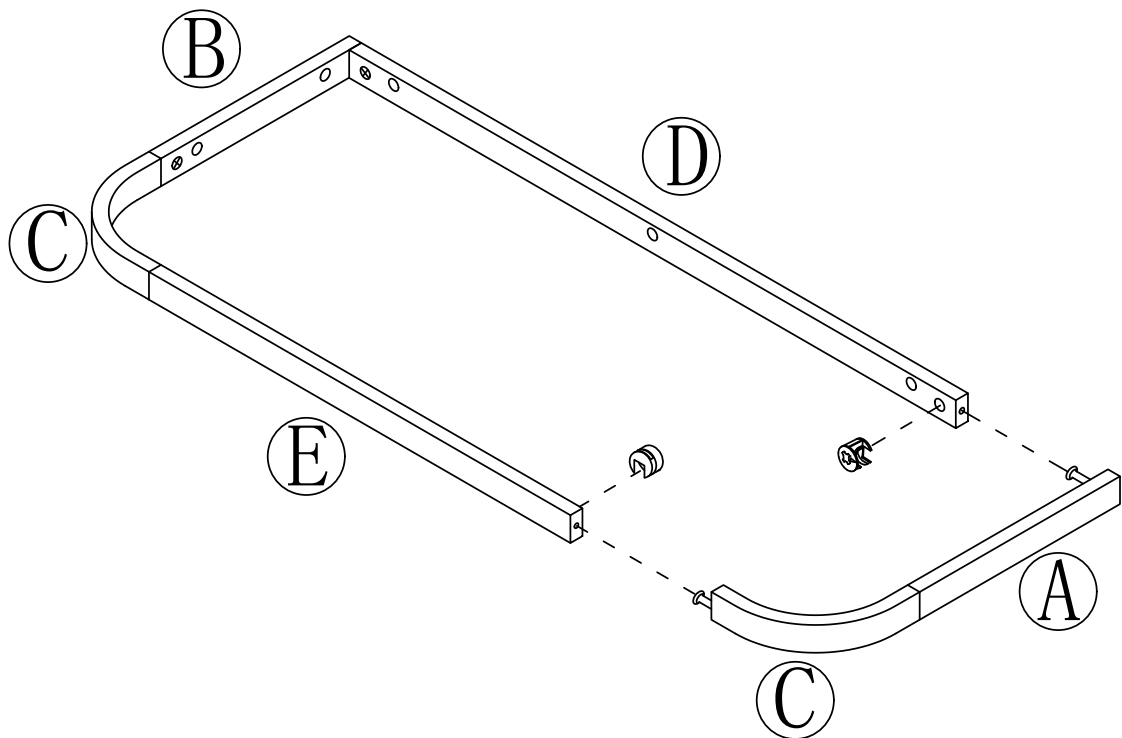
Step 3



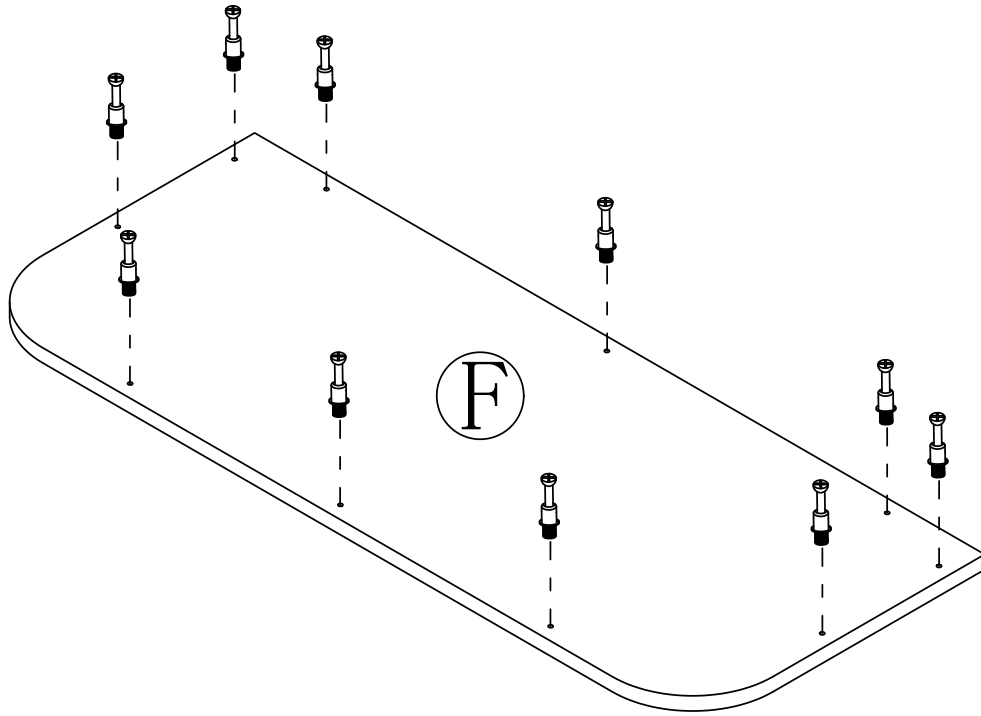
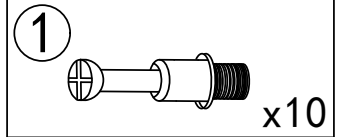
Step 4



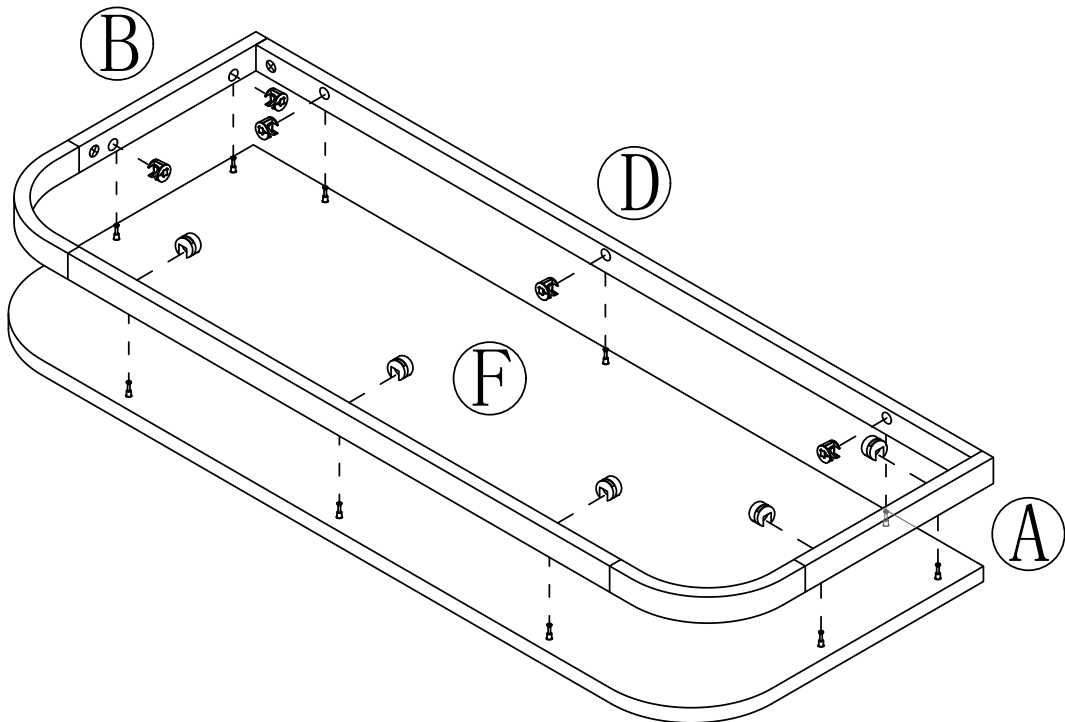
Step 5



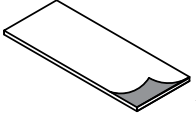
Step 6

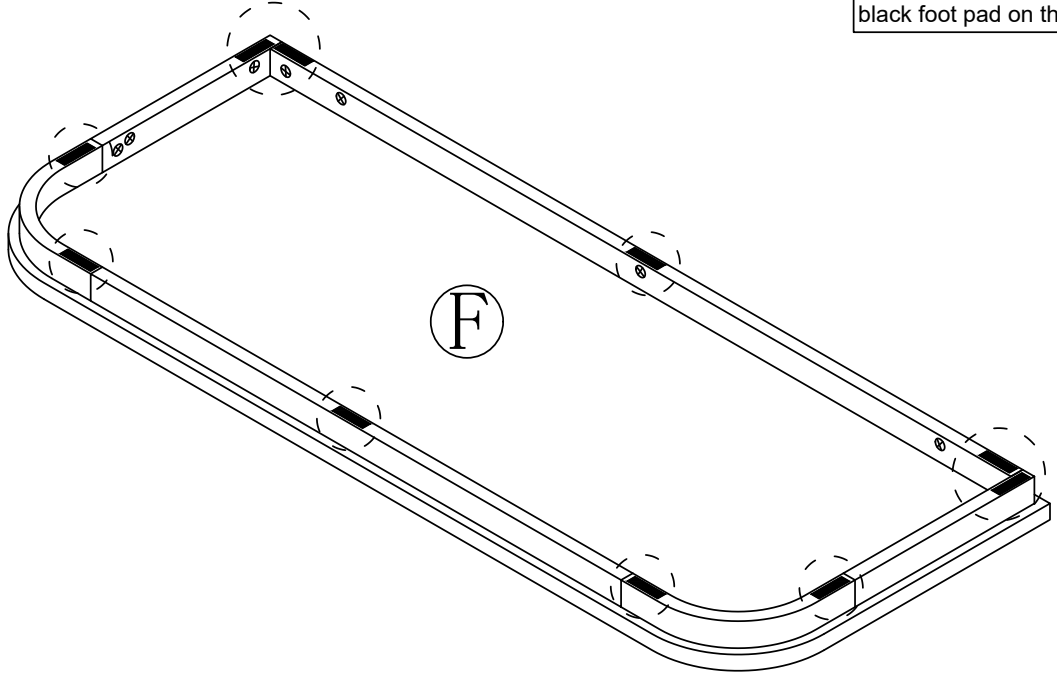


Step 7

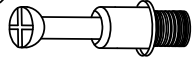


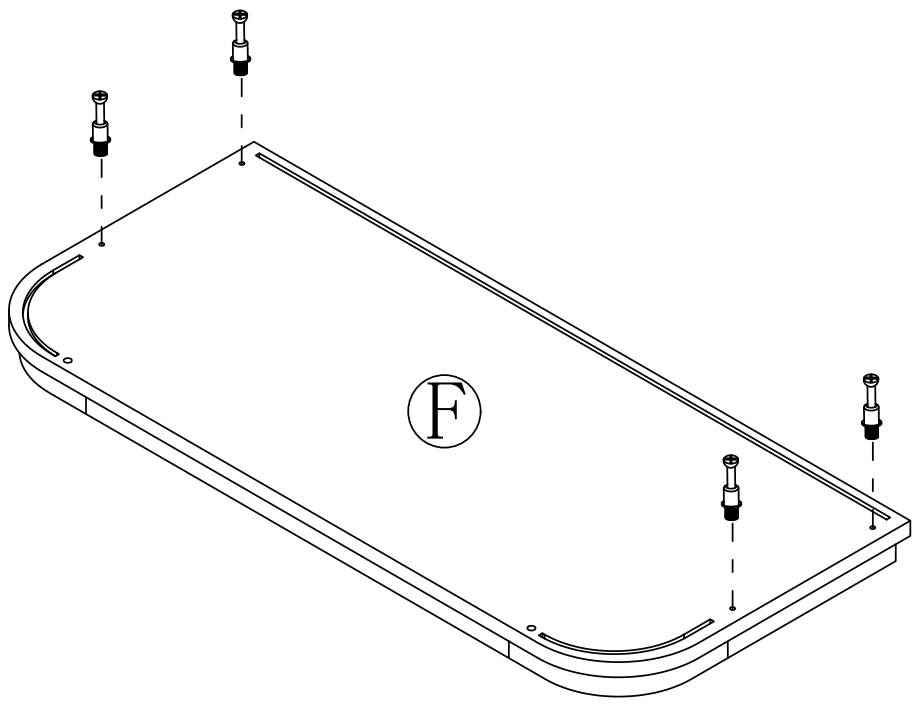
Step 8

③  x10
Tear off release paper and stick the black foot pad on the board

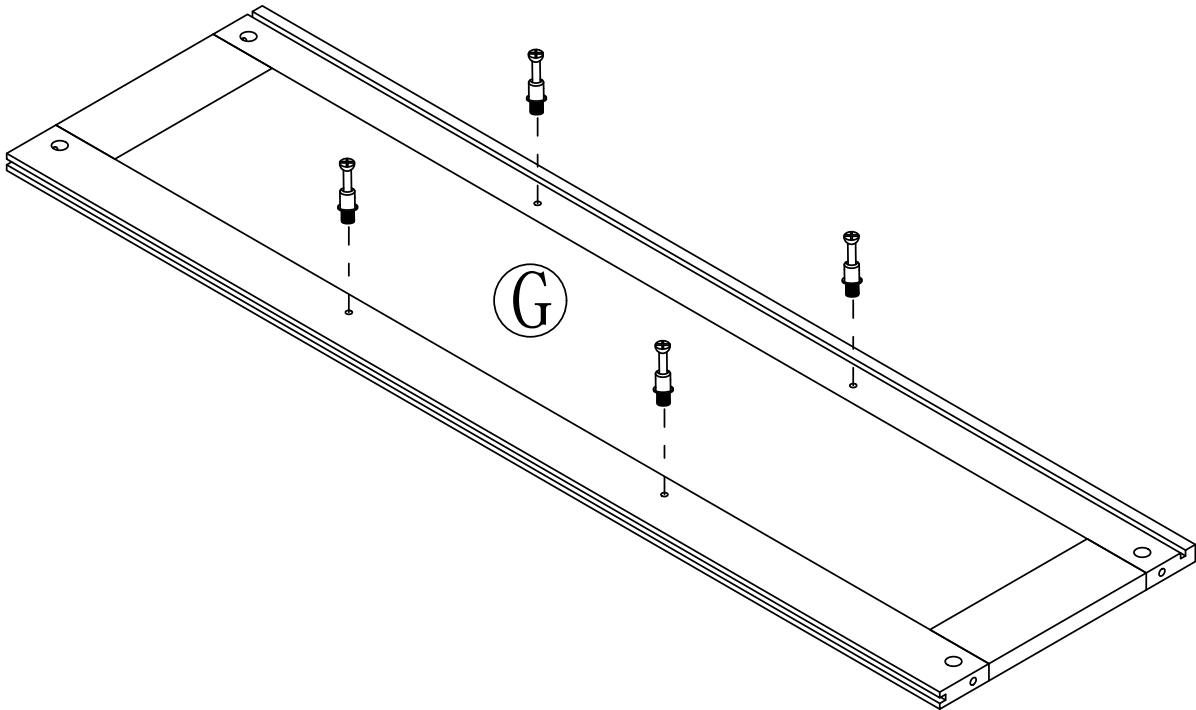
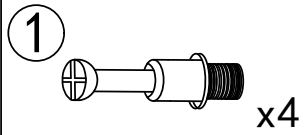


Step 9

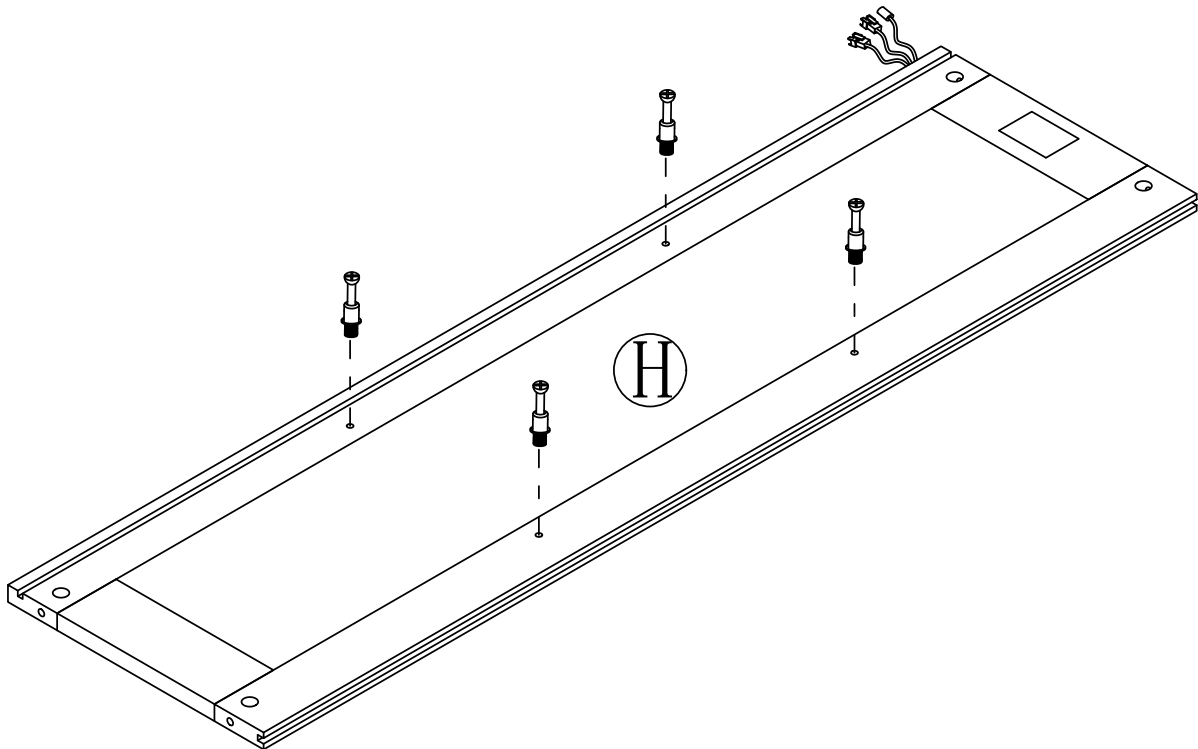
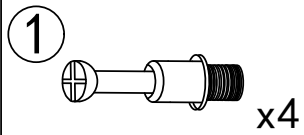
①  x4



Step 10

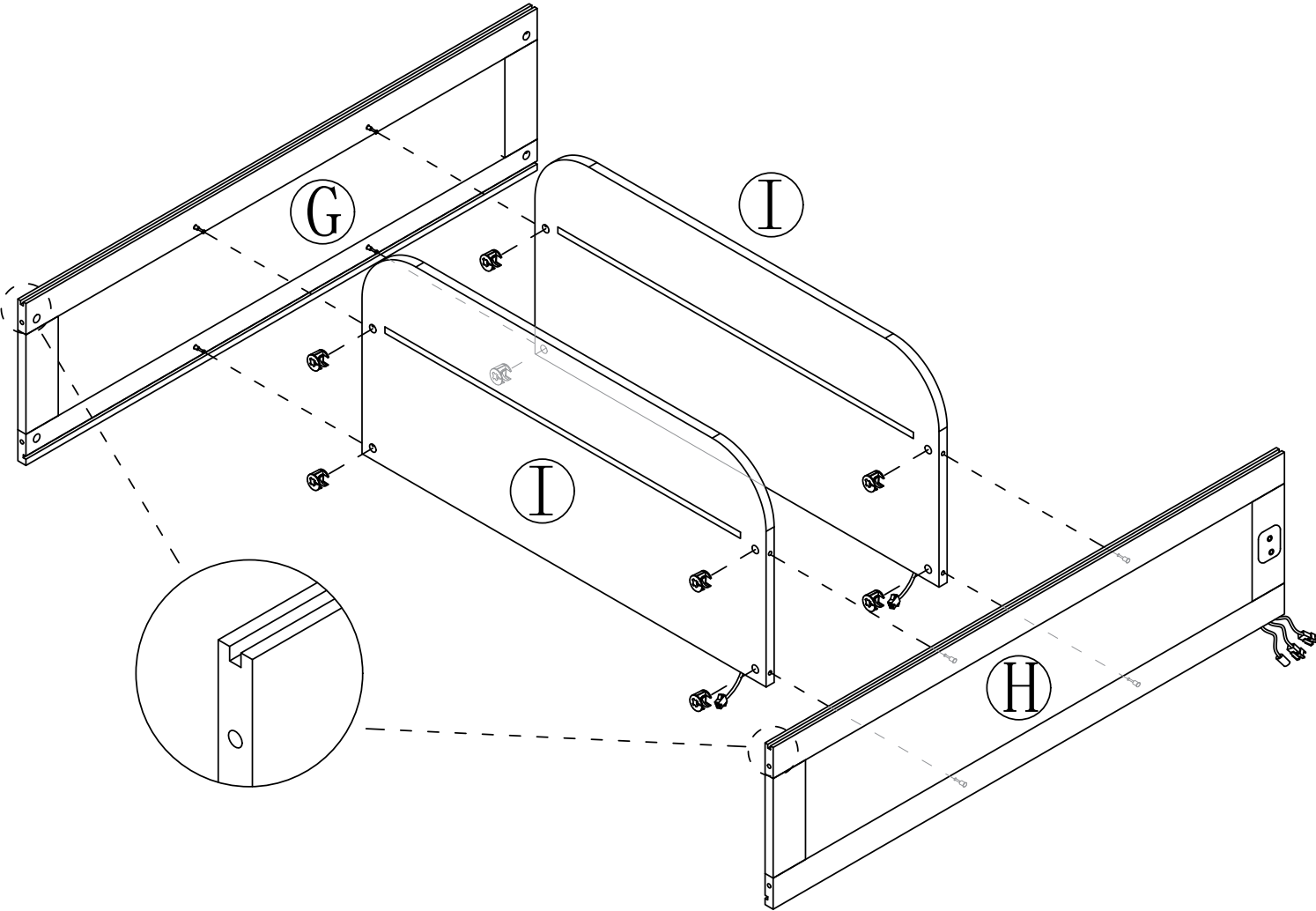


Step 11



Step 12

2  x8

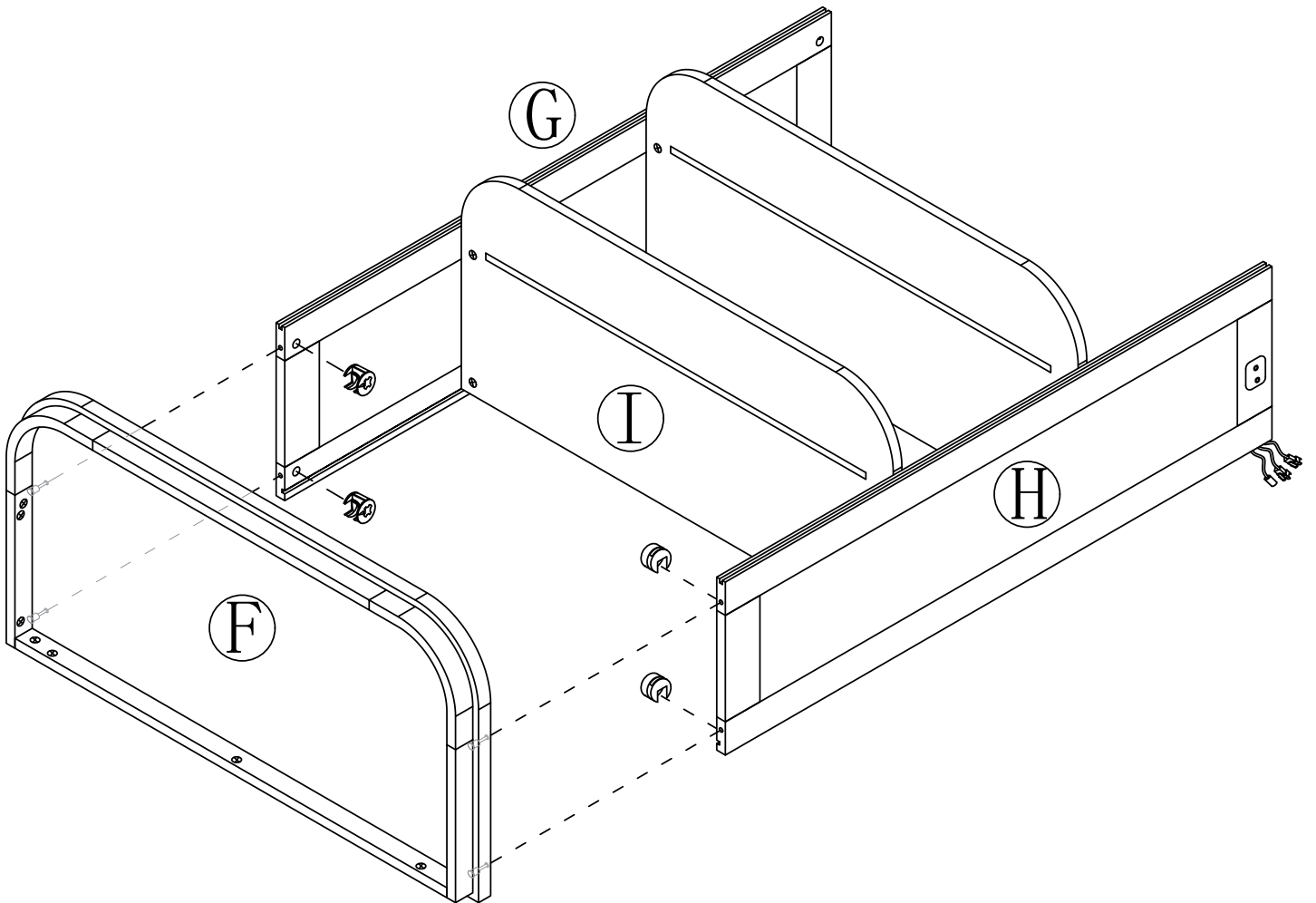


Step 13

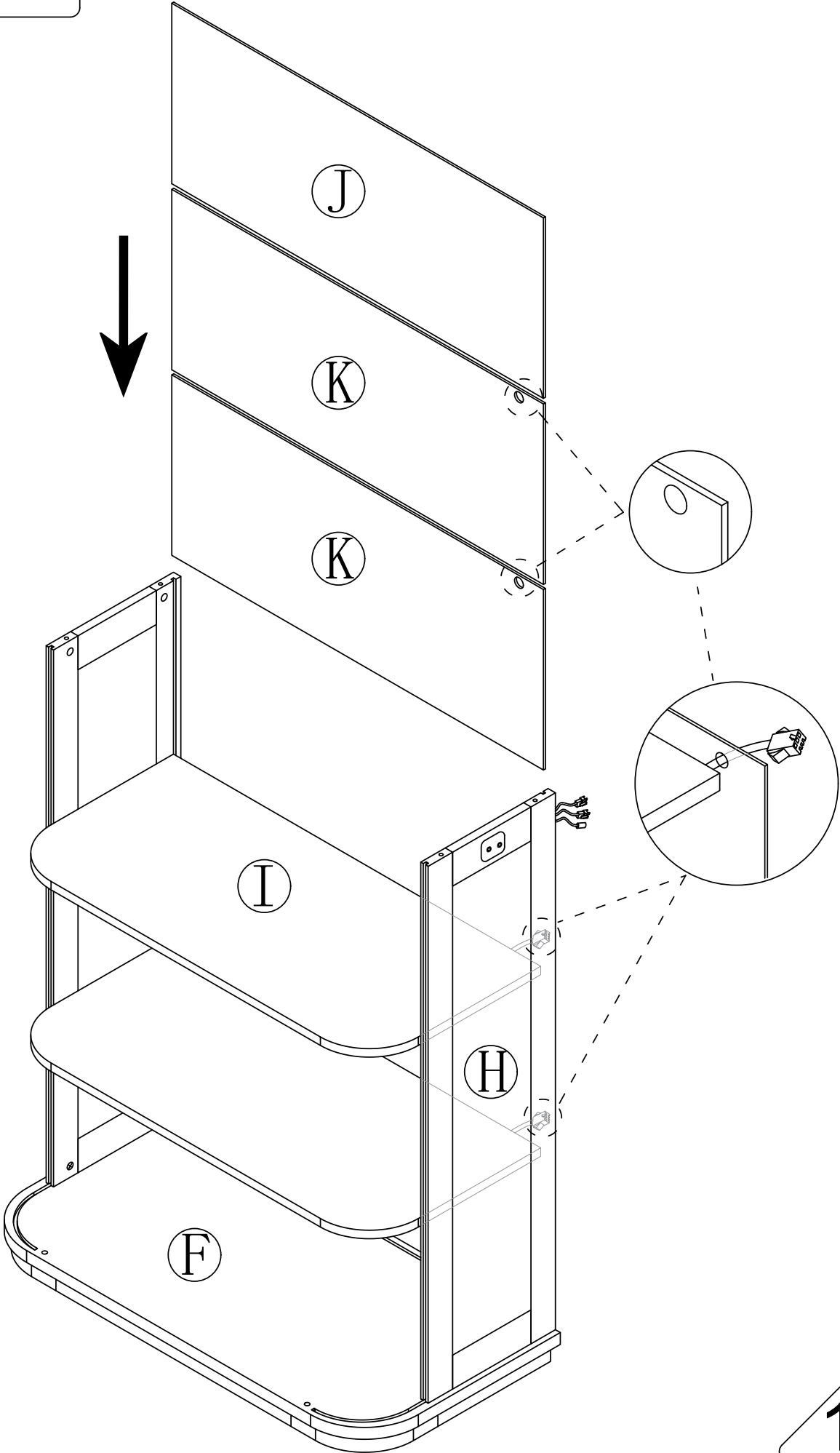
2



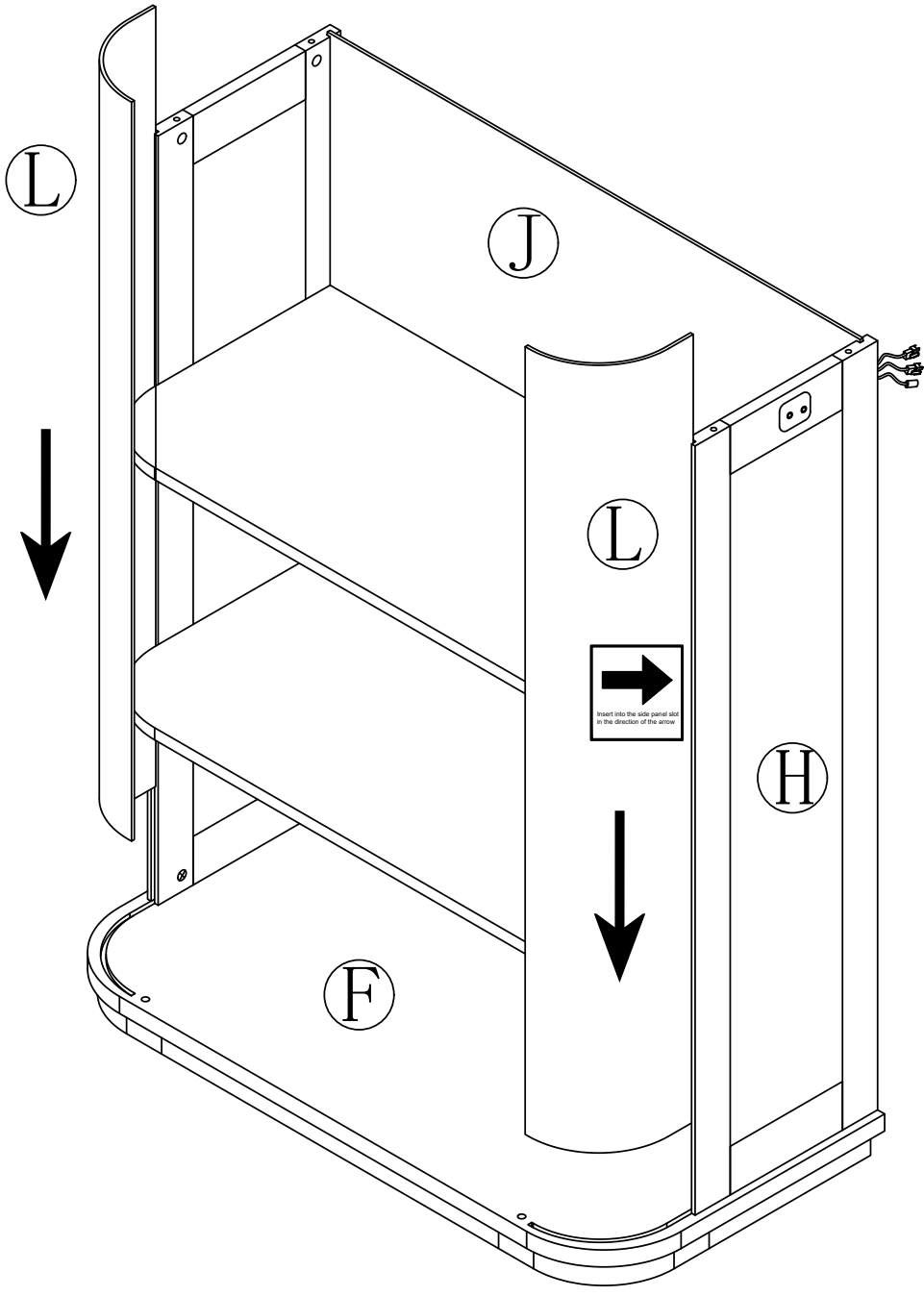
x4



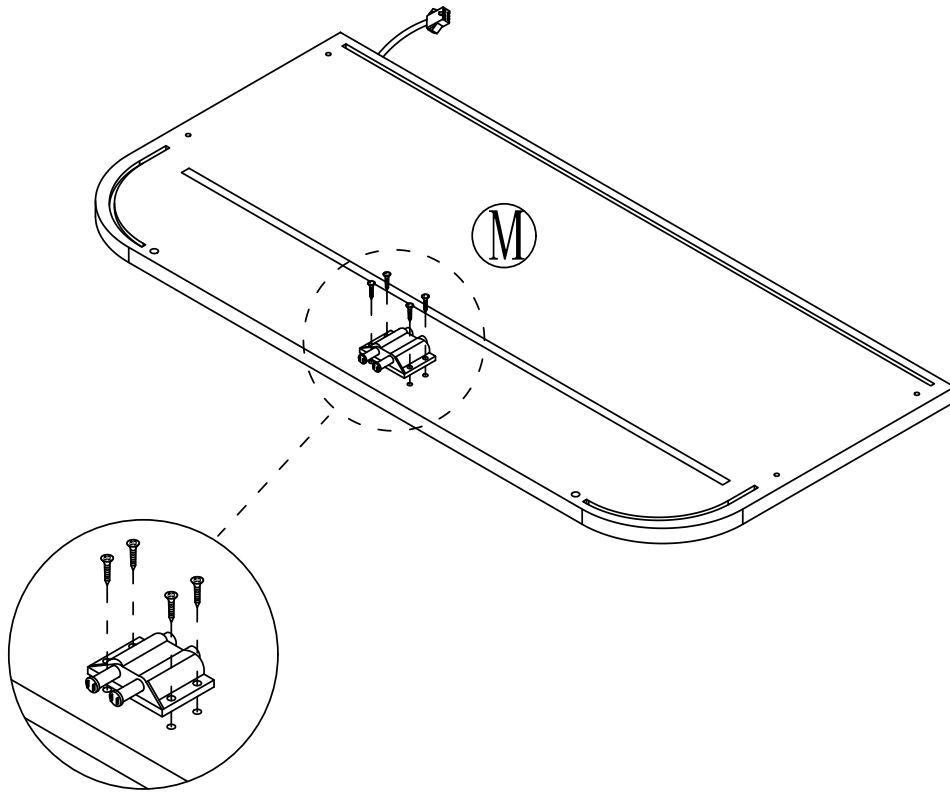
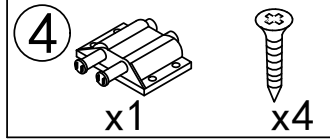
Step 14



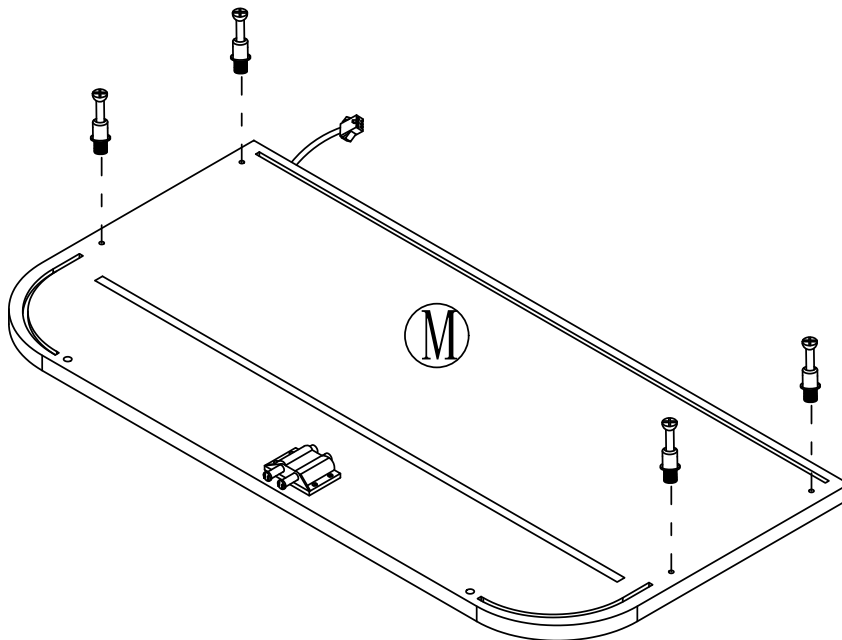
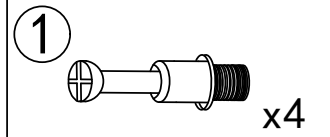
Step 15



Step 16



Step 17

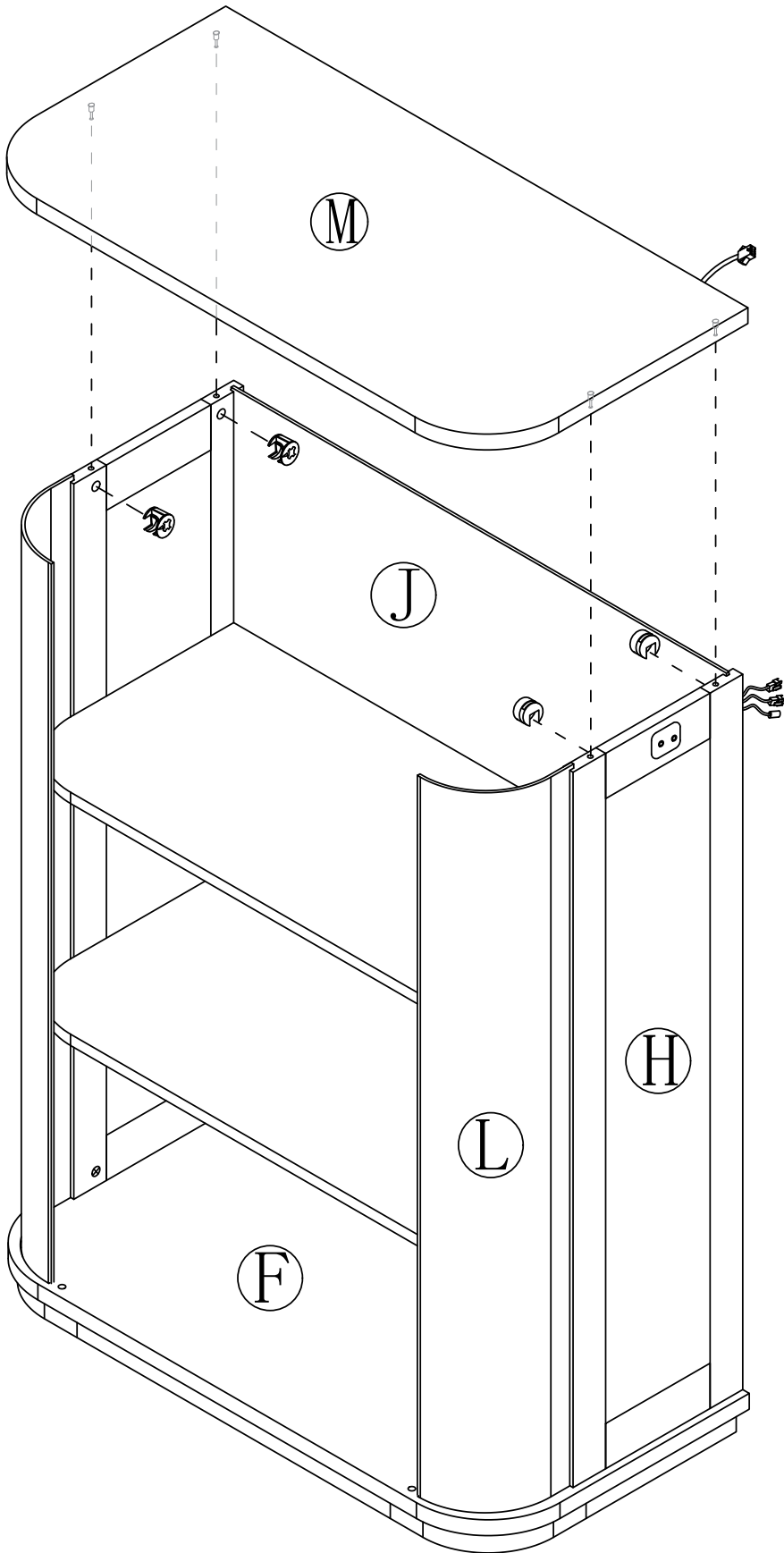


Step 18


2

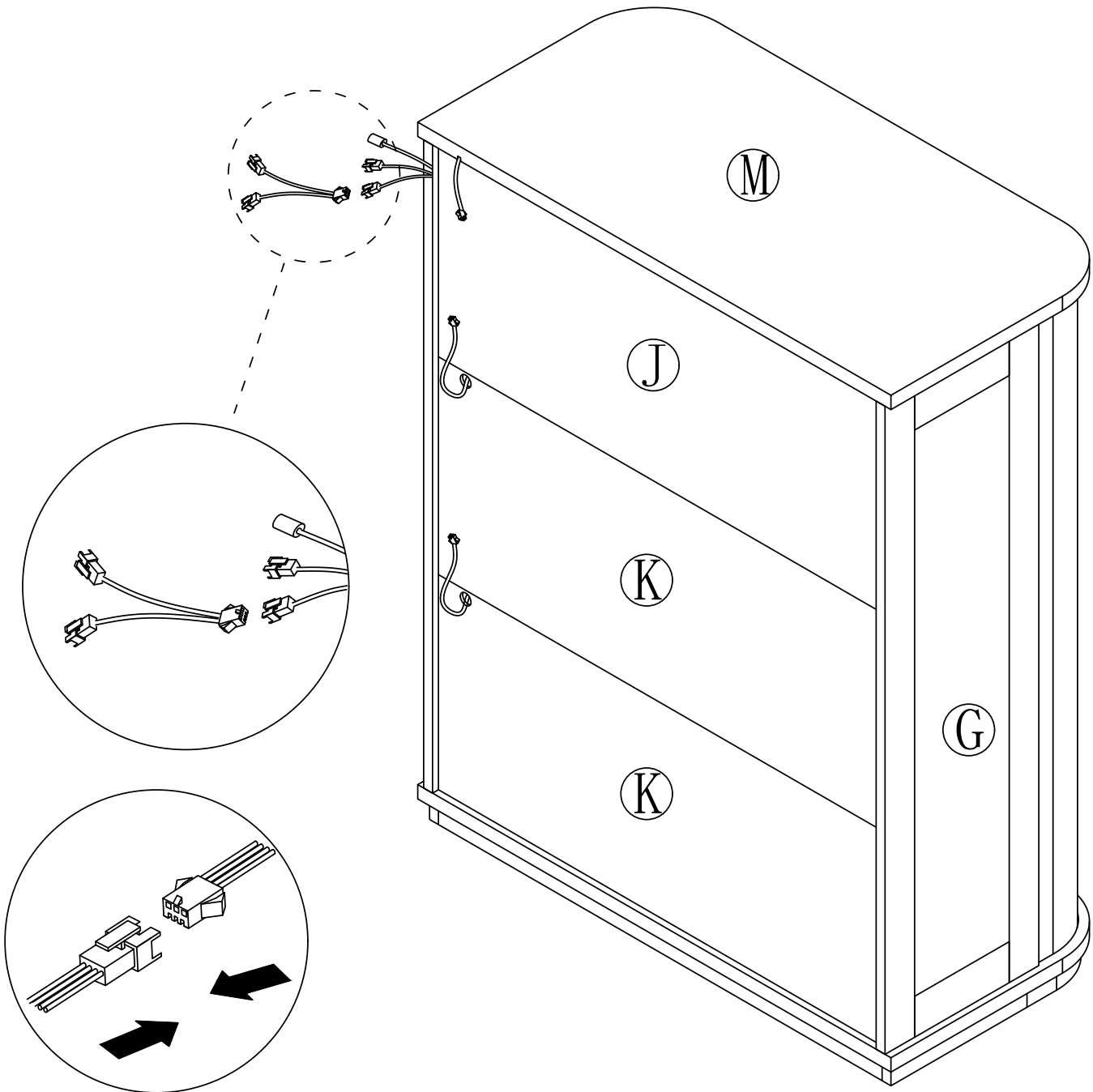


x4

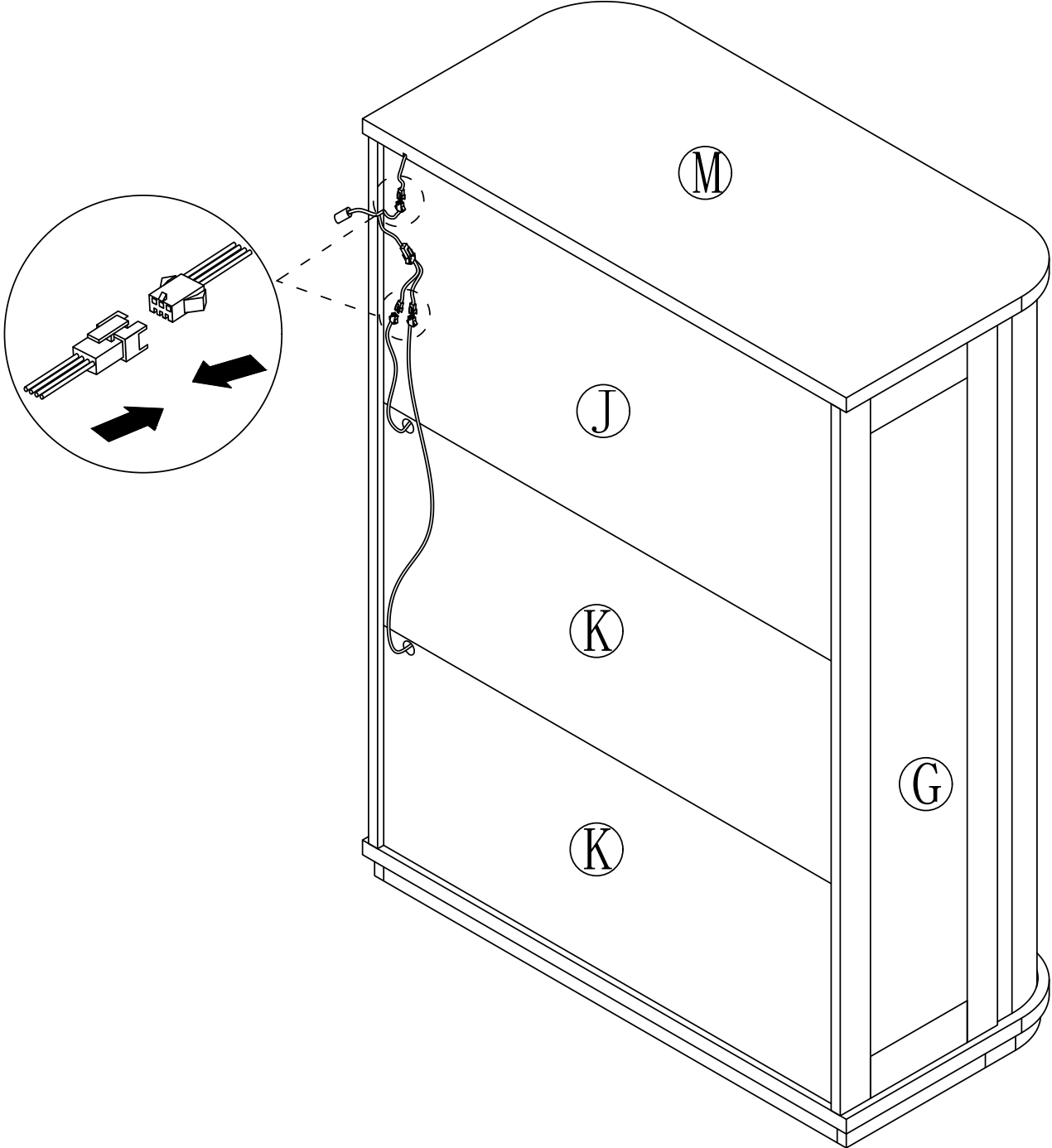


Step 19

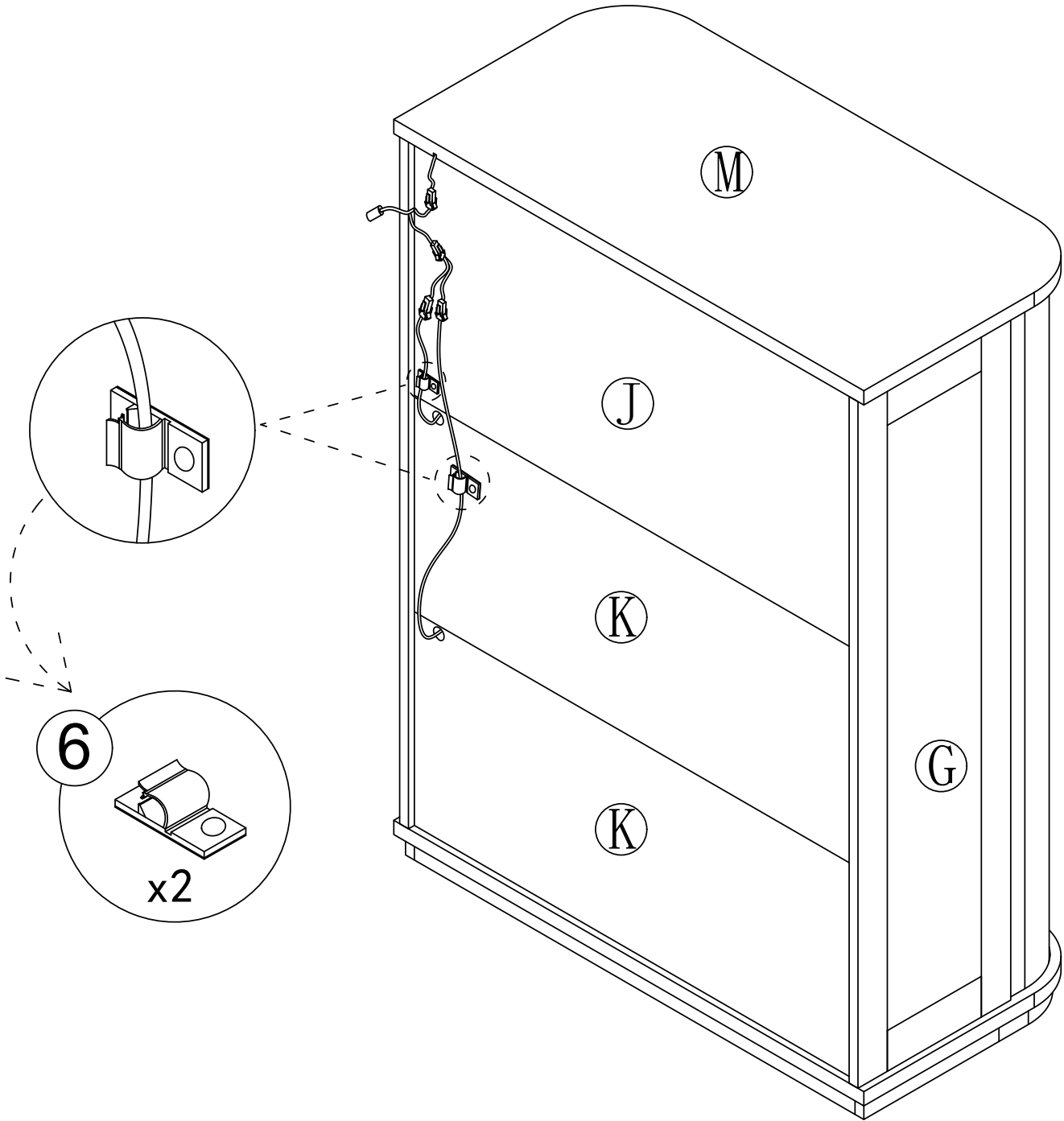
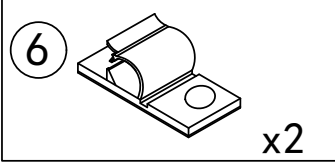
5  x1



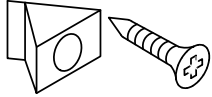
Step 20

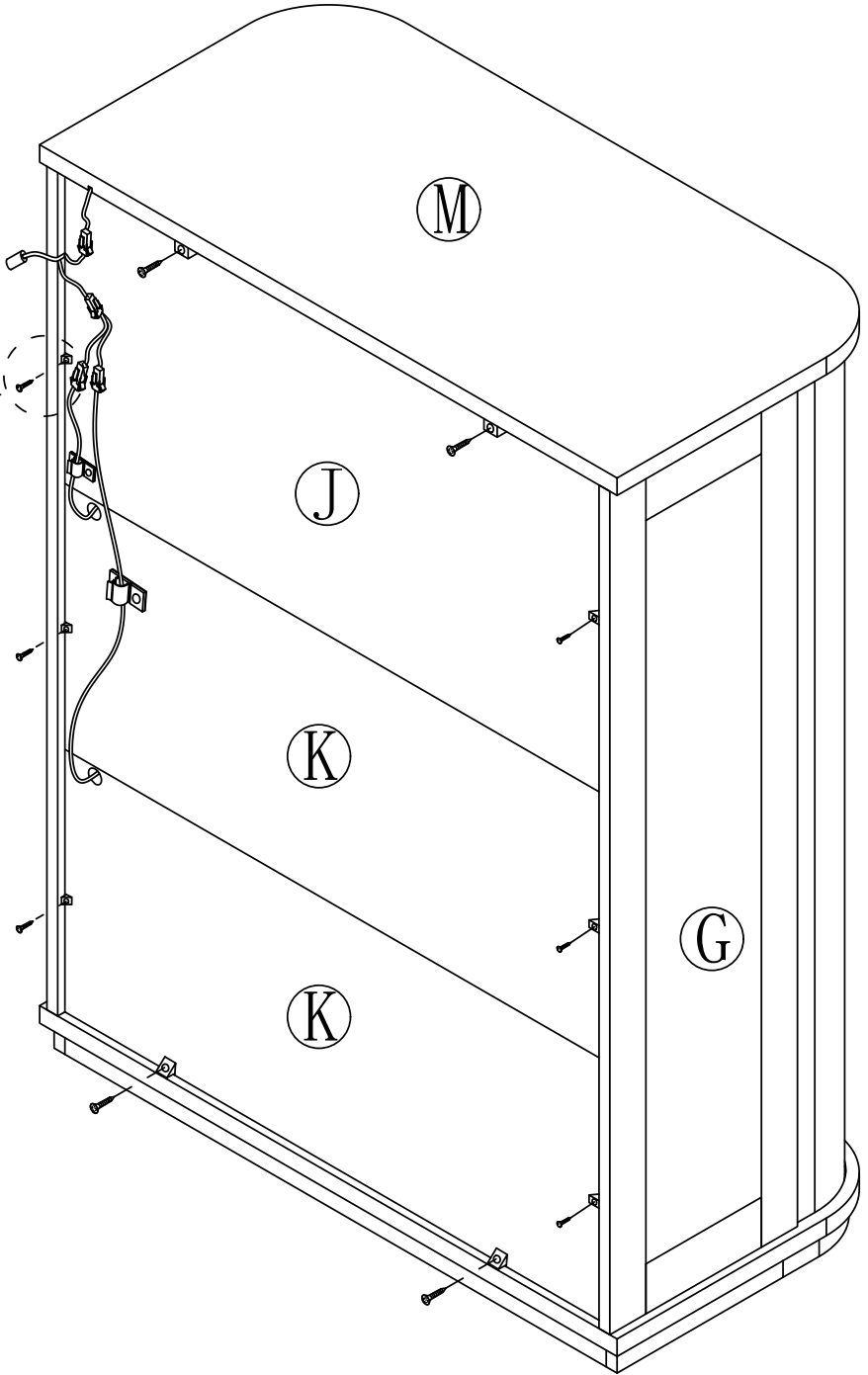
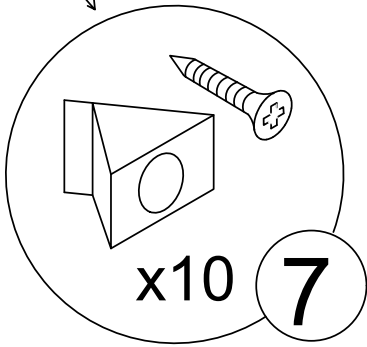
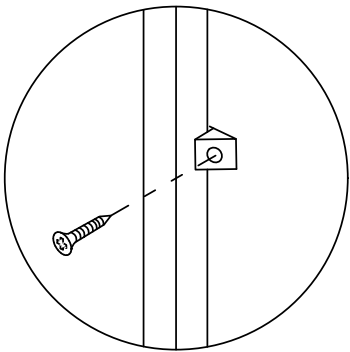


Step 21

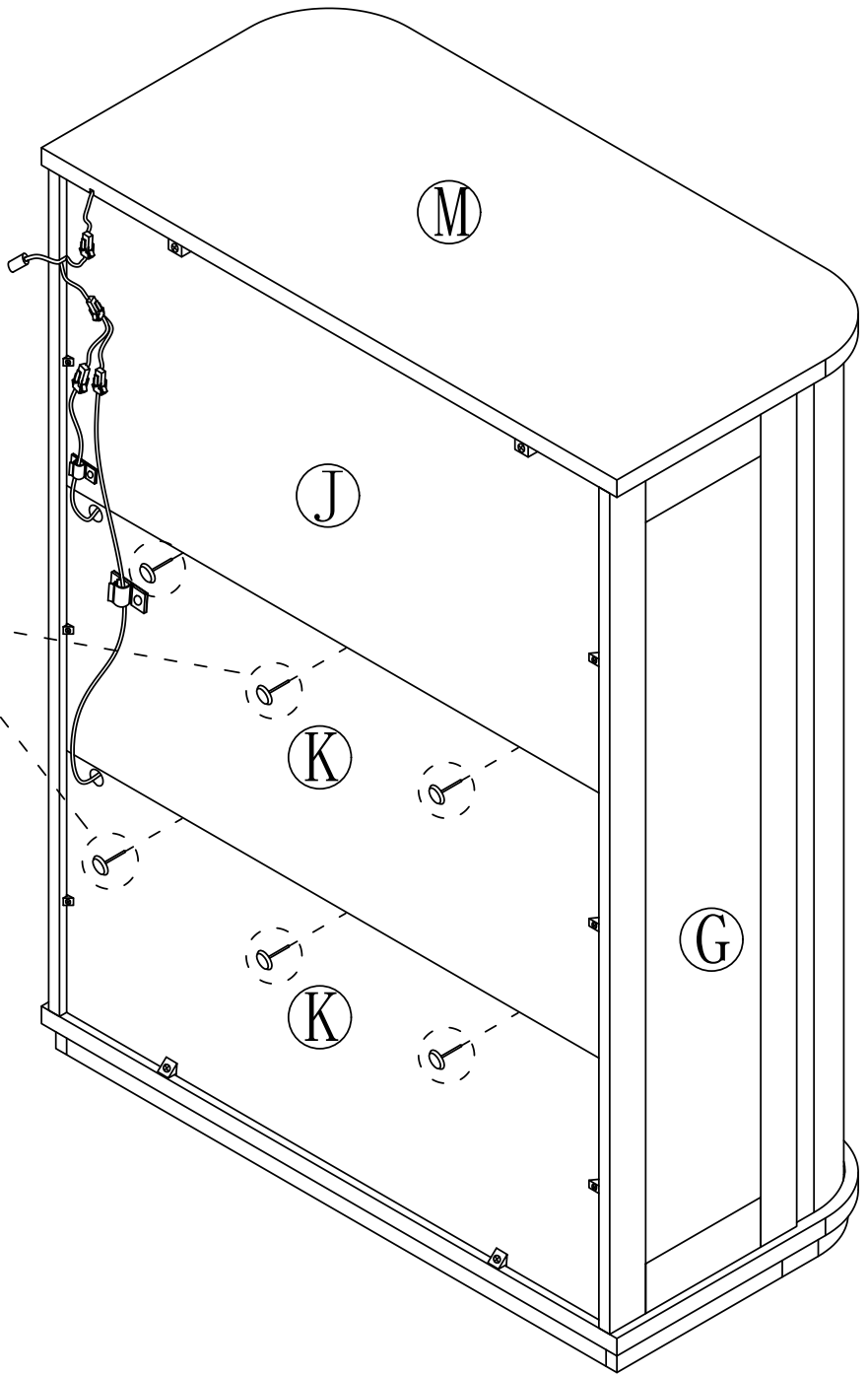
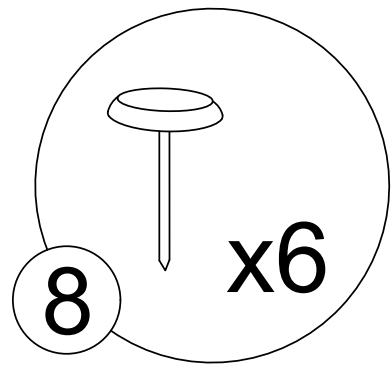
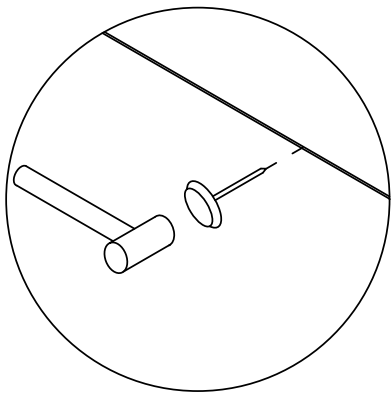
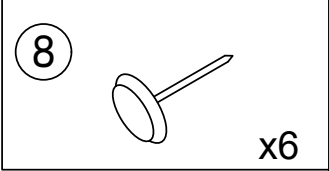


Step 22

7  x10

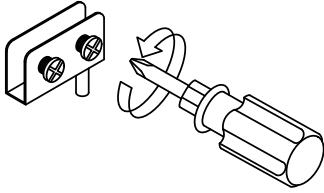


Step 23

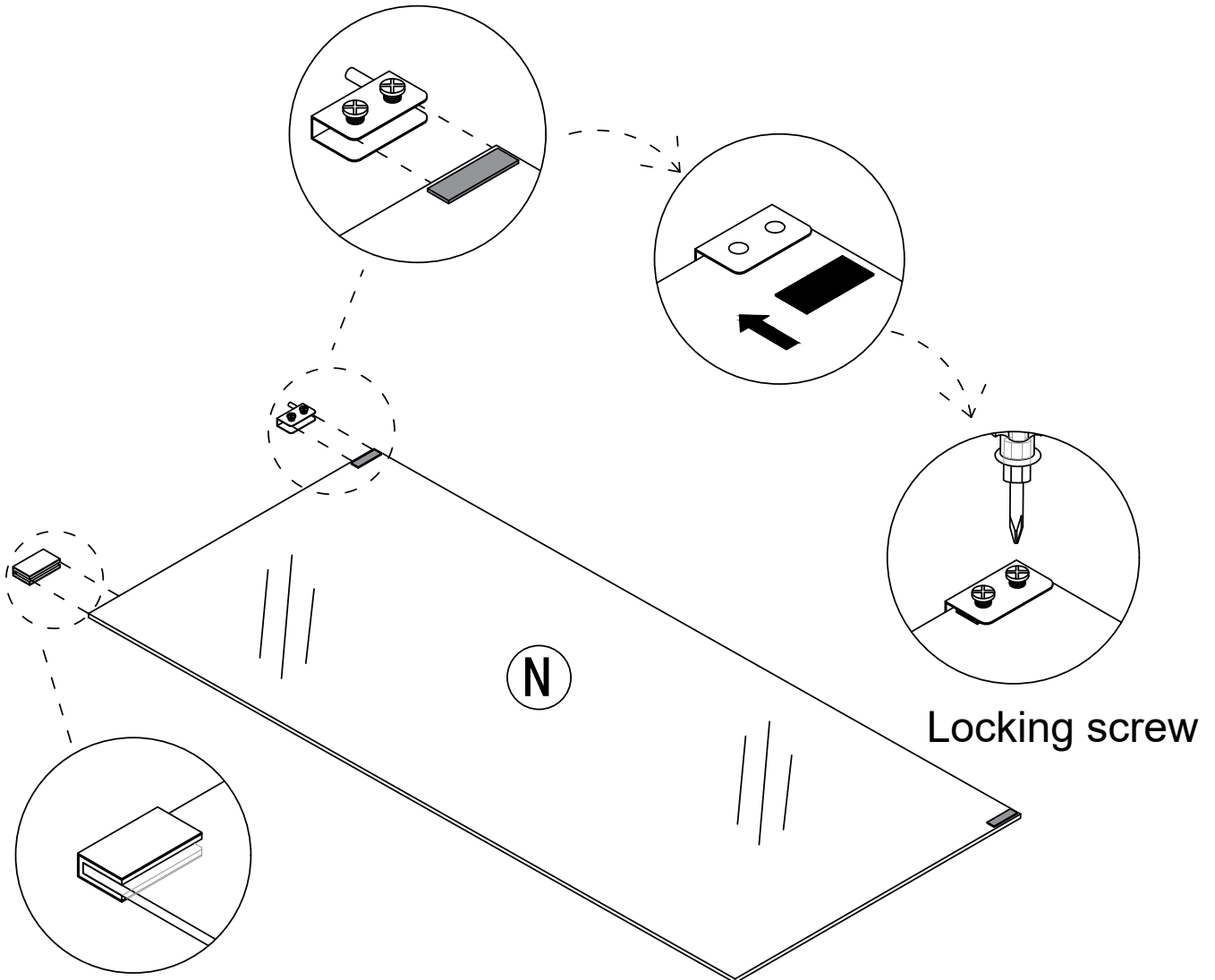
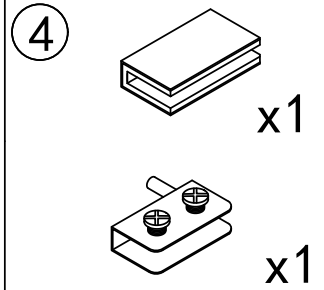
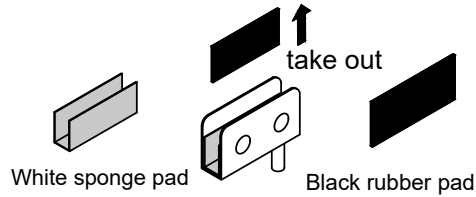


Step 24

First, completely unscrew the screws on the parts



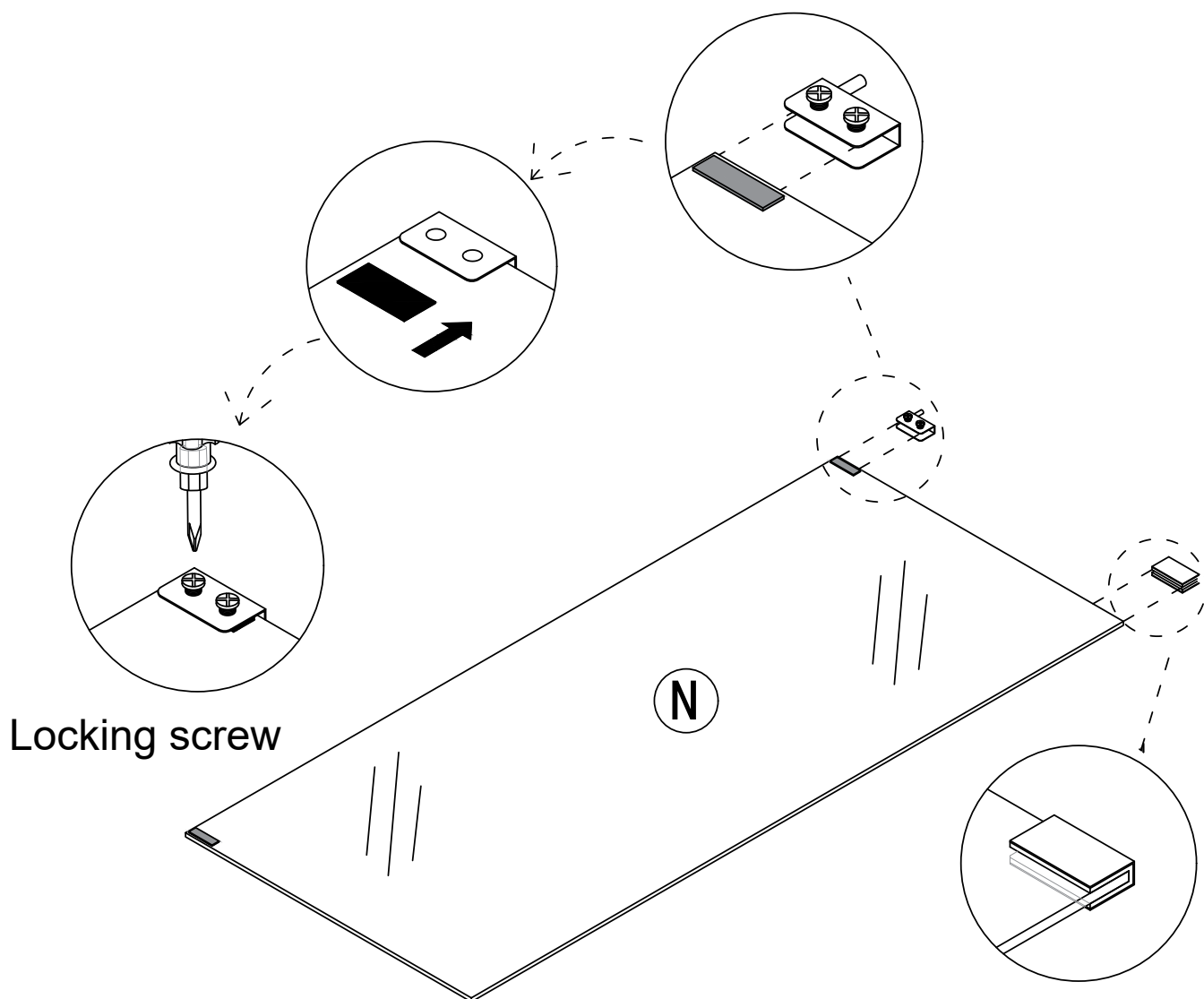
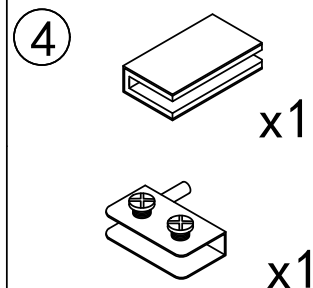
Then take out the black rubber pad from the inside of the part, and the white sponge remains unchanged inside the part.



Pay attention to the direction of the door hinge, rotate the screws to compress the black gasket, and do not place it in the opposite direction

Place the black gasket on the side where the screws are installed

Step 25

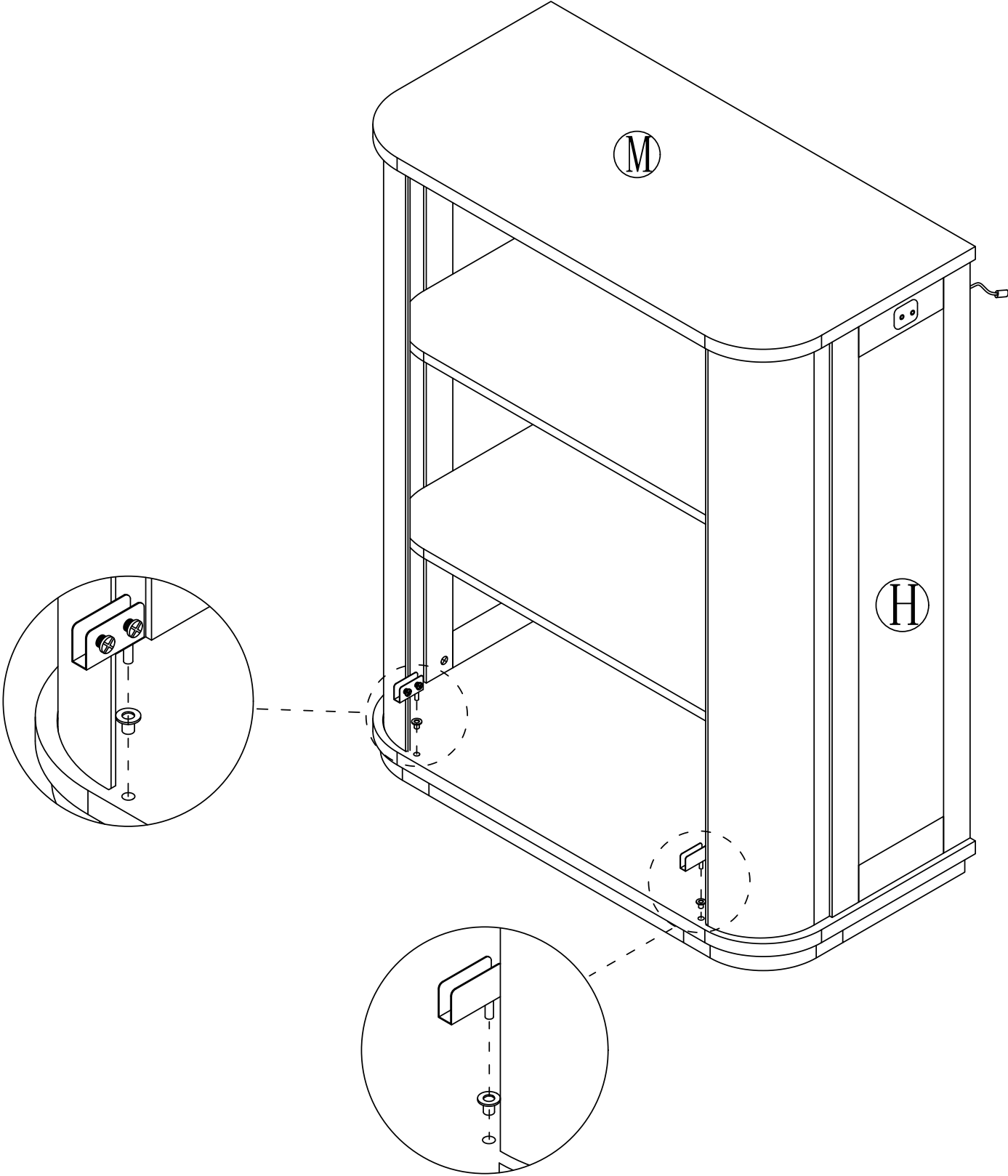


Pay attention to the direction of the door hinge, rotate the screws to compress the black gasket, and do not place it in the opposite direction

Place the black gasket on the side where the screws are installed

Step 26

- 4
- x2
- x1
- x1



Step 27

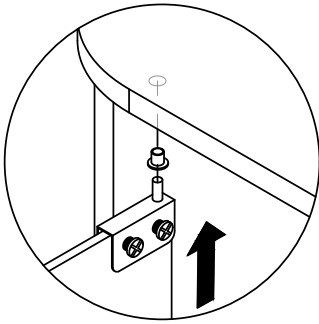
Pay attention to the direction of the door hinge during installation

4

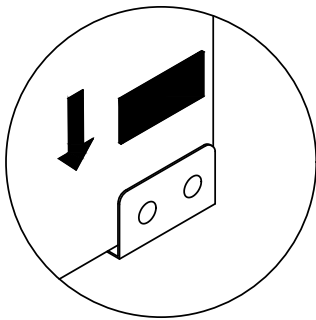


x2

When installing a glass door, it is recommended to have two people install it to avoid the glass door colliding or hitting oneself.

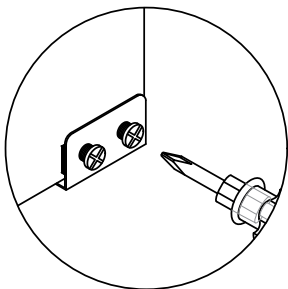


first



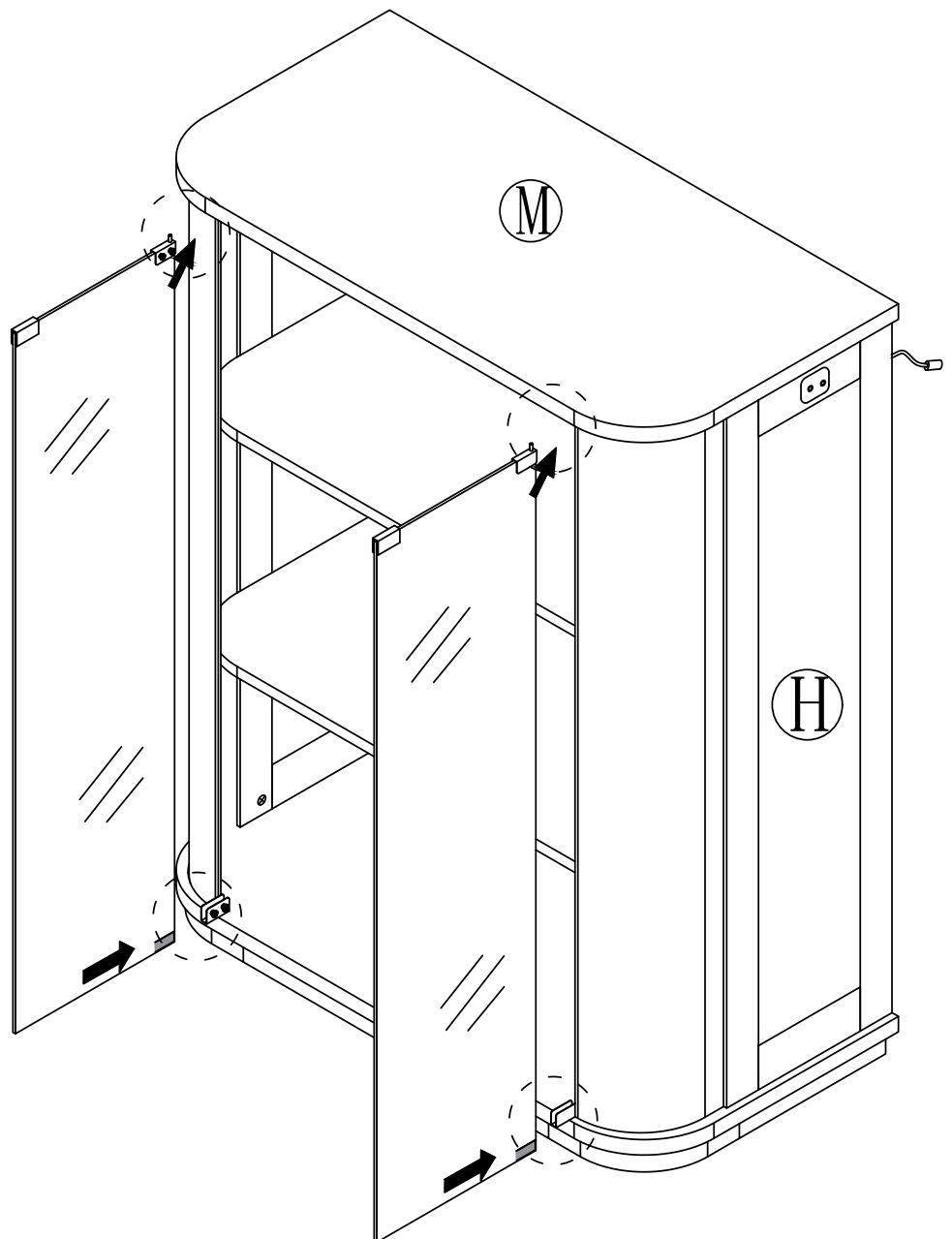
second

After installing the glass door, place the black gasket on the side where the screws are installed



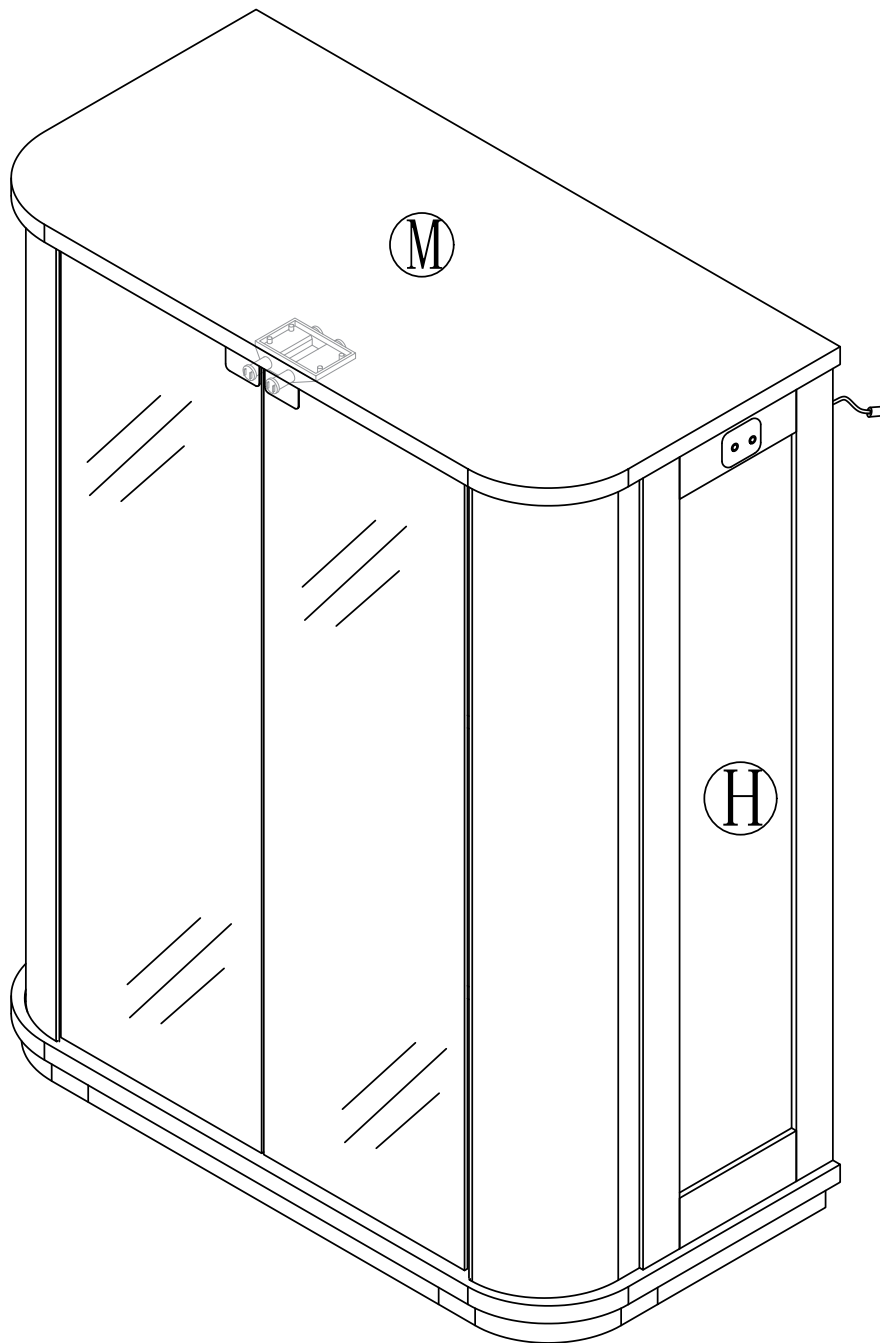
third

Locking screw

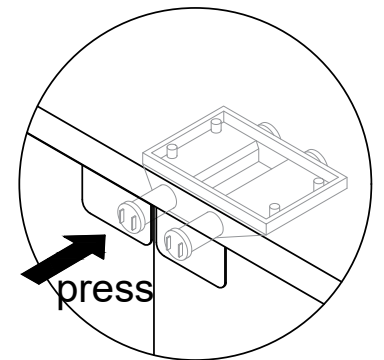


Step 28

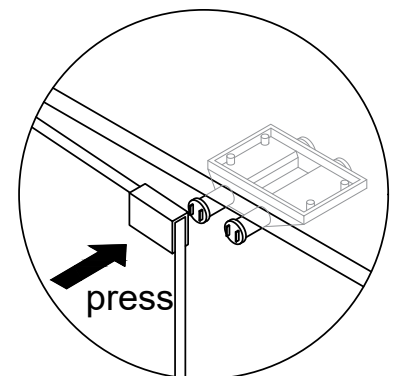
The rebound device automatically opens and closes by pressing



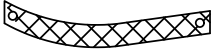


Open the glass door

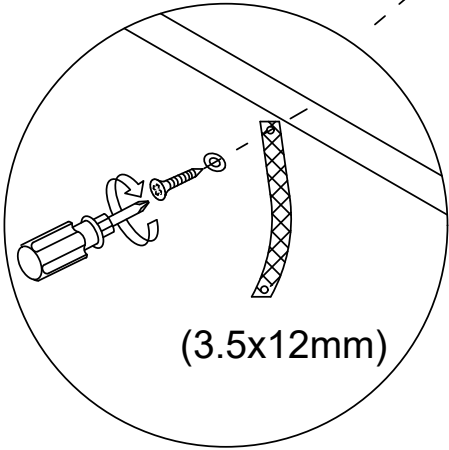
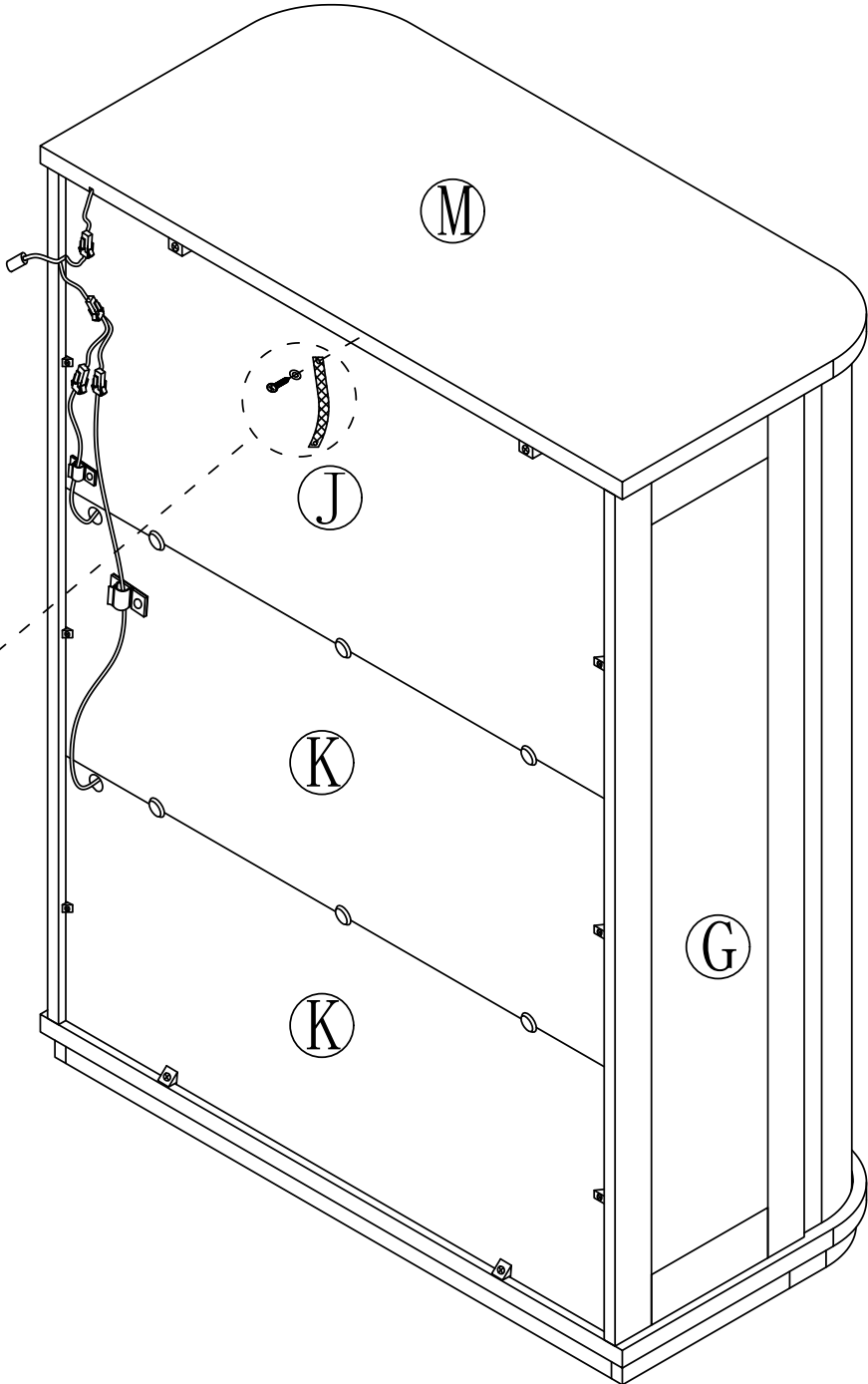


Close the glass door



Step 29

- 9  x1
-  x1
-  x1



Step 30

Wall Mount

+

Wall

Drill the hole after measuring and marking position.

Wall

Wall

9

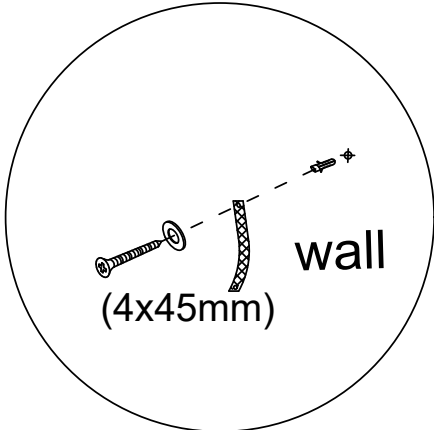
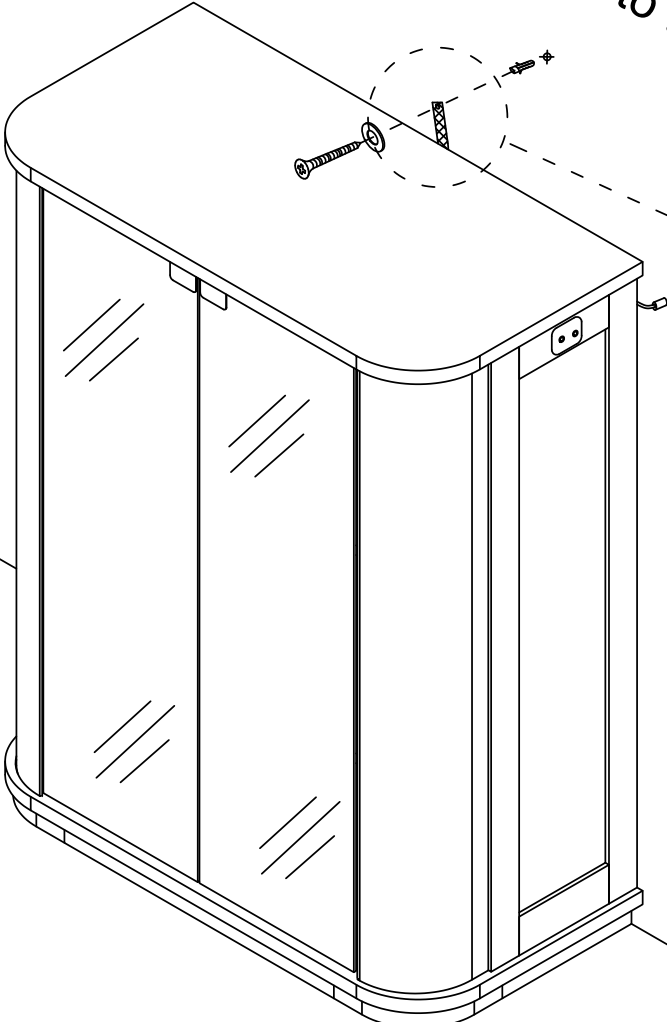
x1

x1

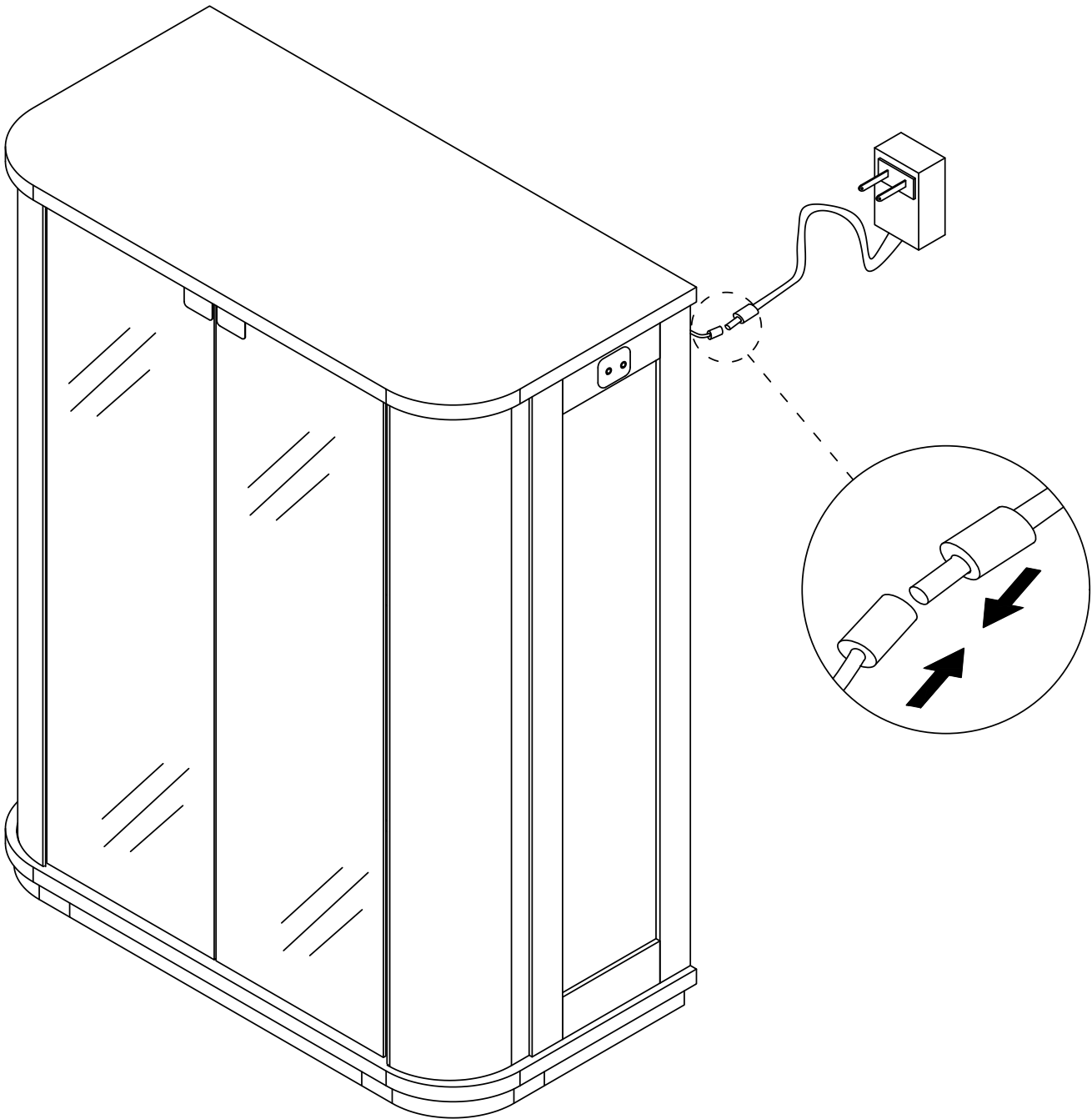
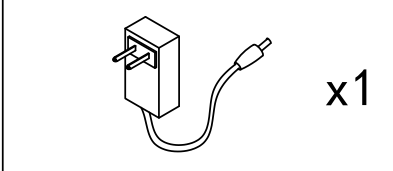
x1

wall

Fasten the cabinet to the wall



Step 31



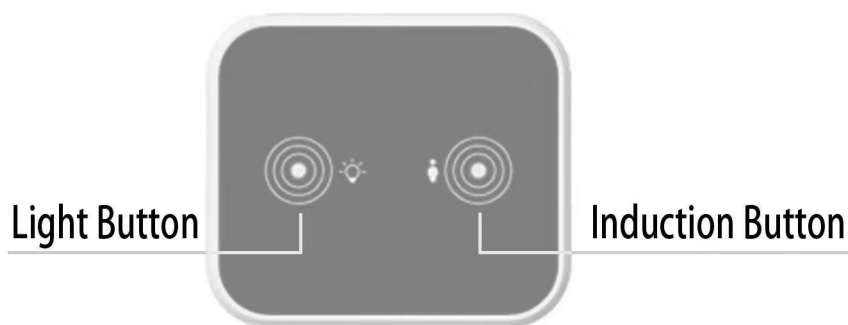
User's Guide

Thank you for purchasing this product. To use this product, please plug it into a 12V DC power supply. Please use if the product works normally after connecting to power.

Introduction

The box is an intelligent controller with 2 touch buttons. It can turn ON/OFF the light, change light colors, and adjust the light luminance.

Product Show



ATTENTION PLEASE

1. If there is no touch response suddenly, Re-plug the power to reset the touch static electricity.
2. If bubbles appear on the panel, remove the protective film.

Operation



This touch button is used to turn on/off, change colors, and adjust brightness.

- A. Short touch -> lighting on -> short touch -> change light color -> short touch -> change light color -> short touch -> lighting off. B. Long touch -> adjust the luminance



This touch button is used to turn on/off the induction function.

- A. Short touch to turn on the induction function. It can auto-turn on the light when people are close to the controller in 1 meters. It can auto power off the light when the body is far away from the controller after 30 seconds.
- B. Long touch to turn off the induction function.
- C. Note: When you touch the light button to change the light modes, the induction function will automatically turn off. It is best to turn on this function after selecting the light color and adjusting the brightness you want.