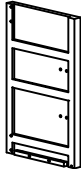
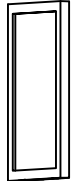
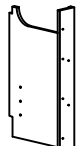
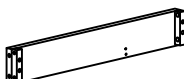


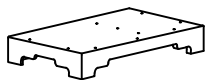

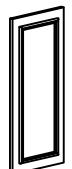
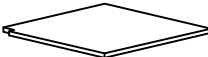


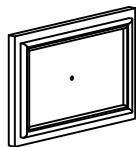

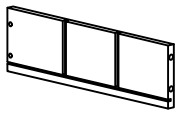
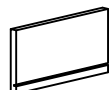
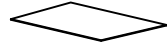
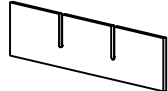
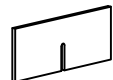



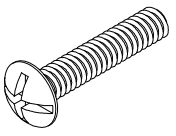
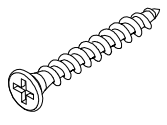
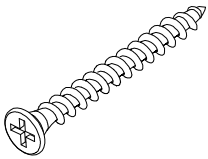
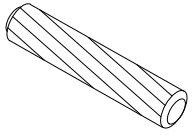

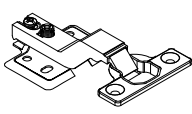
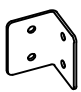

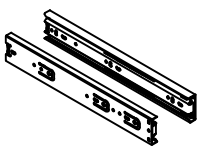

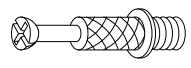
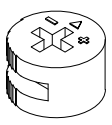


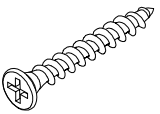




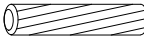
PRODUCT PARTS:

A	B	C	D	E	F
					
1PC	1PC	1PC	1PC	1PC	1PC
G	H	I	J	K	L
					
1PC	1PC	1PC	1PC	1PC	2PCS
M	N	O	P	Q	R
					
3PCS	1PC	1PC	3PCS	3PCS	1PC
S	T	U	V		
					
2PCS	2PCS	2PCS	1PC		

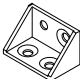
HARDWARE:

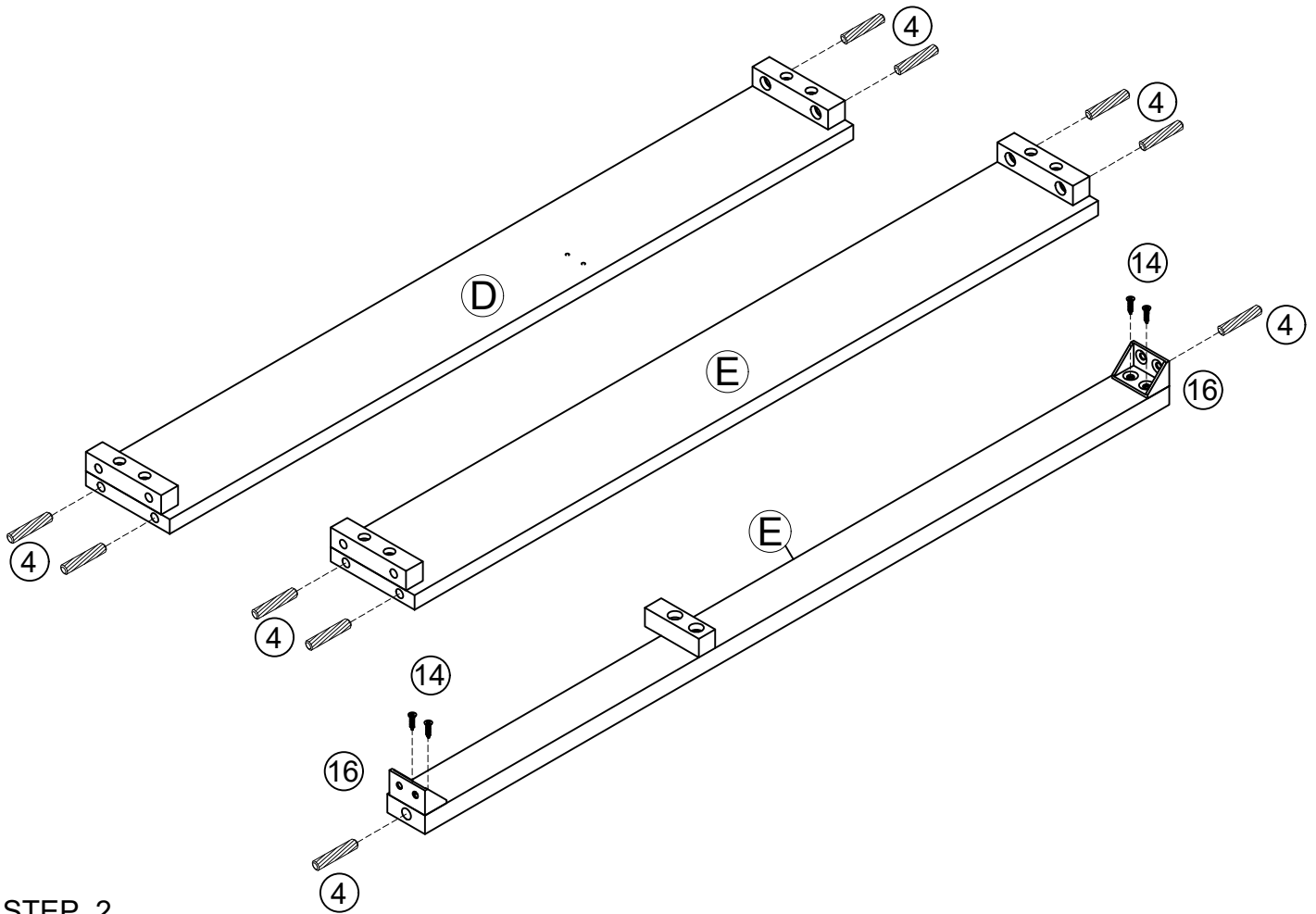
①	②	③	④	⑤	⑥
					
1/4"x25mm	Ø4x25mm	Ø4x35mm	Ø8x30mm		
14+1 PCS	12+1 PCS	3+1 PCS	24+2 PCS	4 PCS	2 PCS
⑦	⑧	⑨	⑩	⑪	⑫
					
	Ø4x12mm	12"x45mm	Φ3*10mm	Ø6x33mm	Ø15x9mm
1 PC	12+1 PCS	3 SET	36+2 PCS	16+1 PCS	16+1 PCS
⑬	⑭	⑮	⑯	⑰	
					
5/32*18mm	Ø3x12mm	Ø4x20mm	20x20x33mm		
4 PCS	12 PCS	10+1 PCS	2 PCS	4 PCS	

STEP 1


④  10pcs
Ø8x30mm

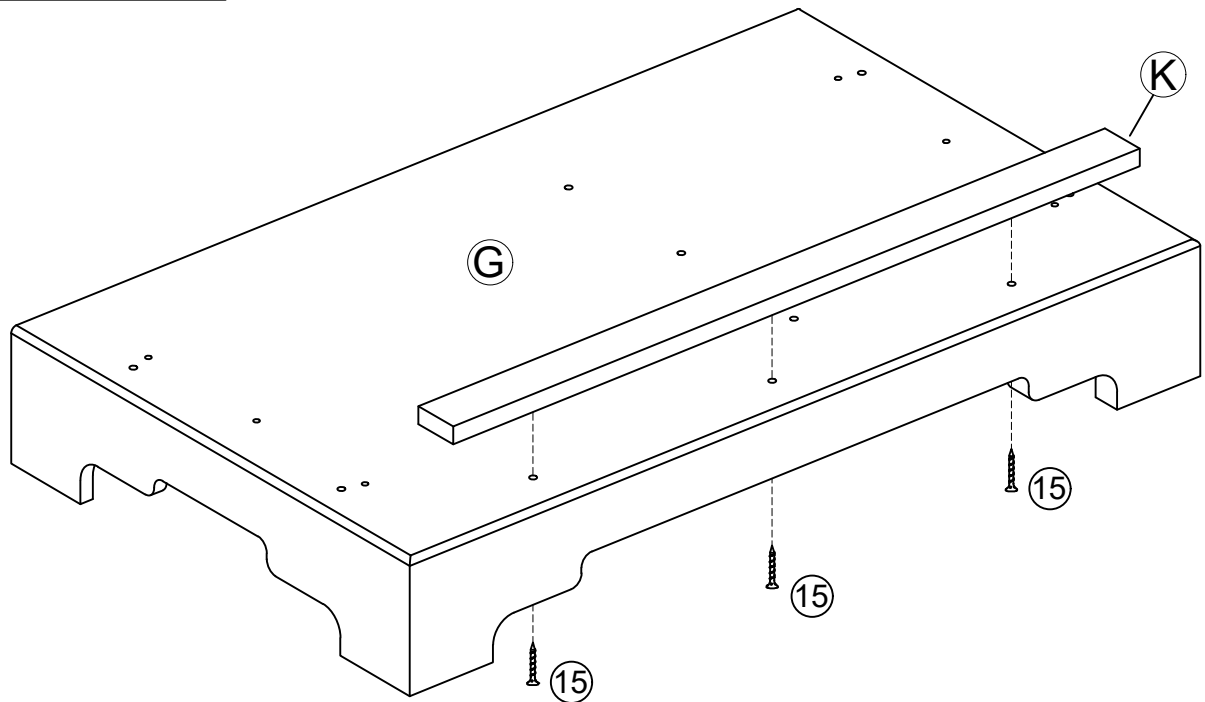
⑭  4pcs
Ø3x12mm

⑯  2pcs




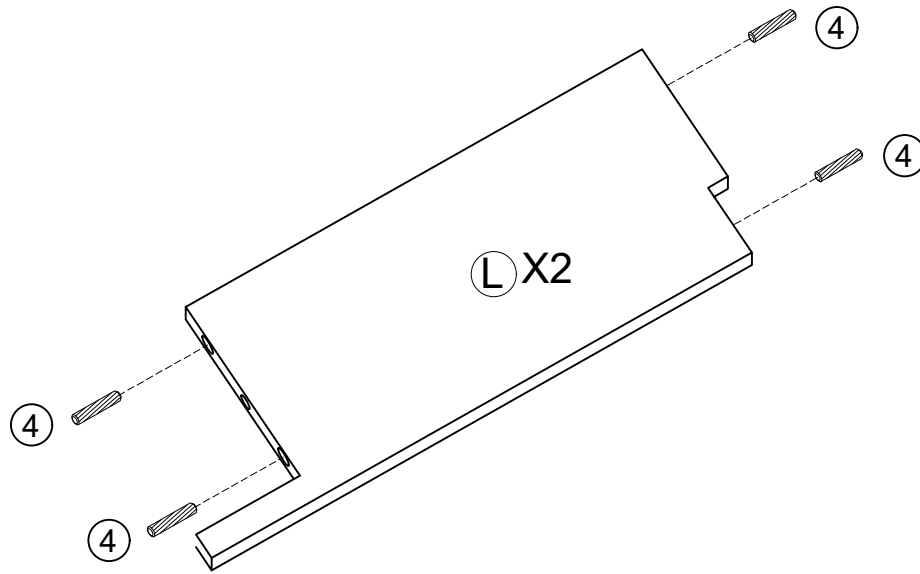
STEP 2

⑮  3pcs
Ø4x20mm




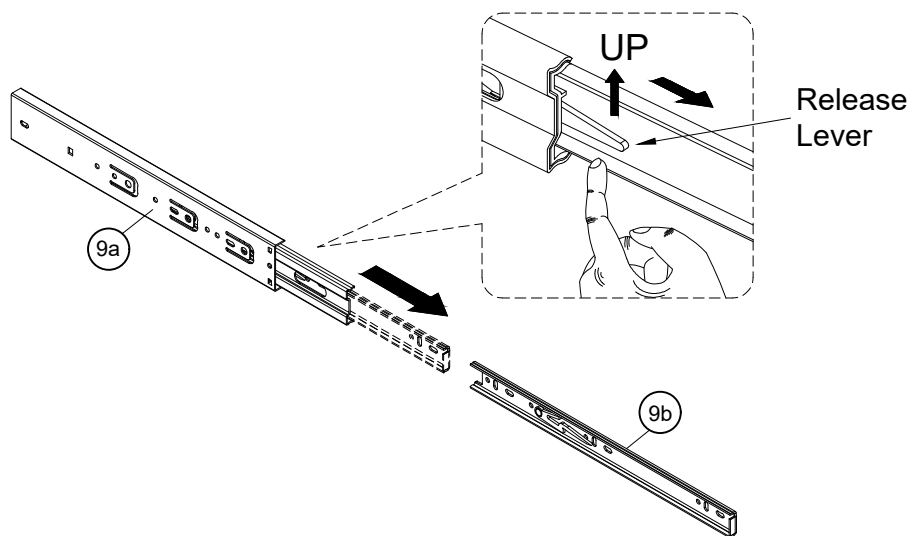
STEP 3

④  8pcs
Ø8x30mm

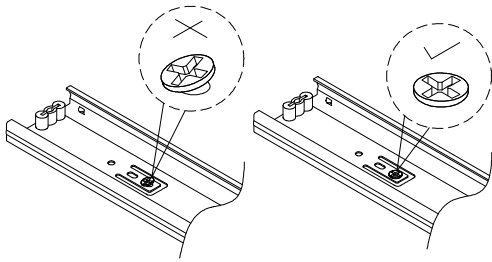
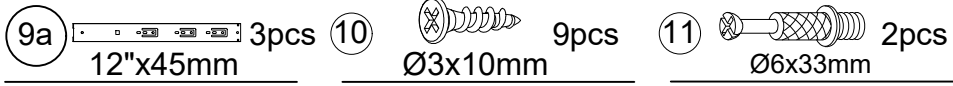


STEP 4

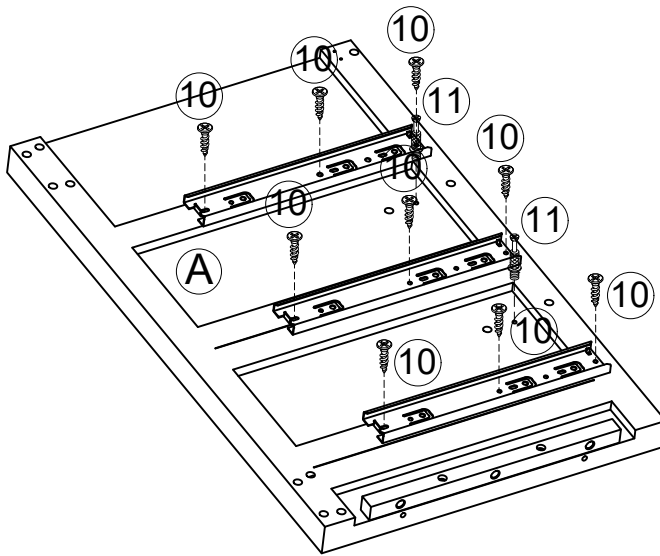
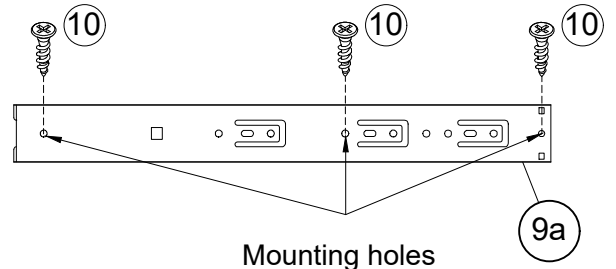
⑨  3SET
12"x45mm



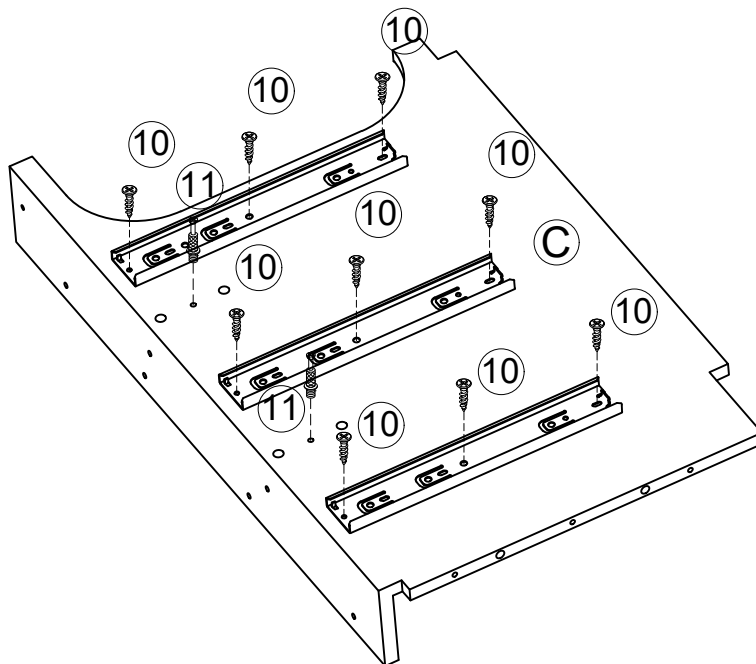
STEP 5




Please make sure that the screw is VERTICAL so as not to affect the sliding of the drawer.




STEP 6

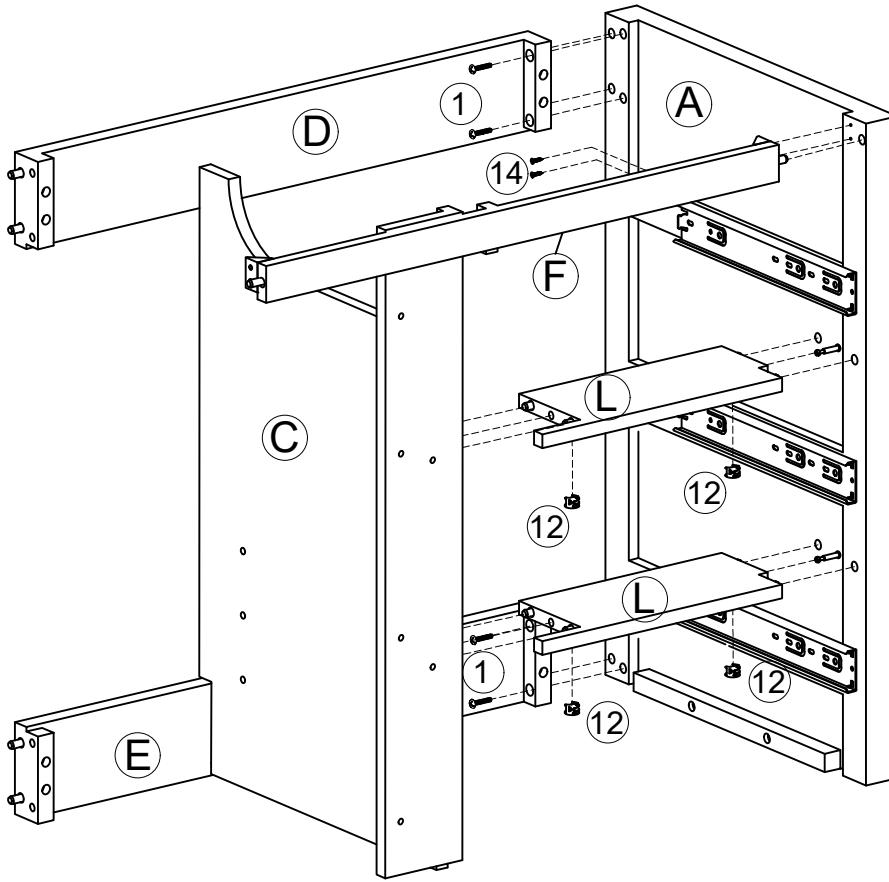


STEP 7

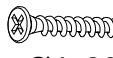
①  4pcs
1/4"x25mm

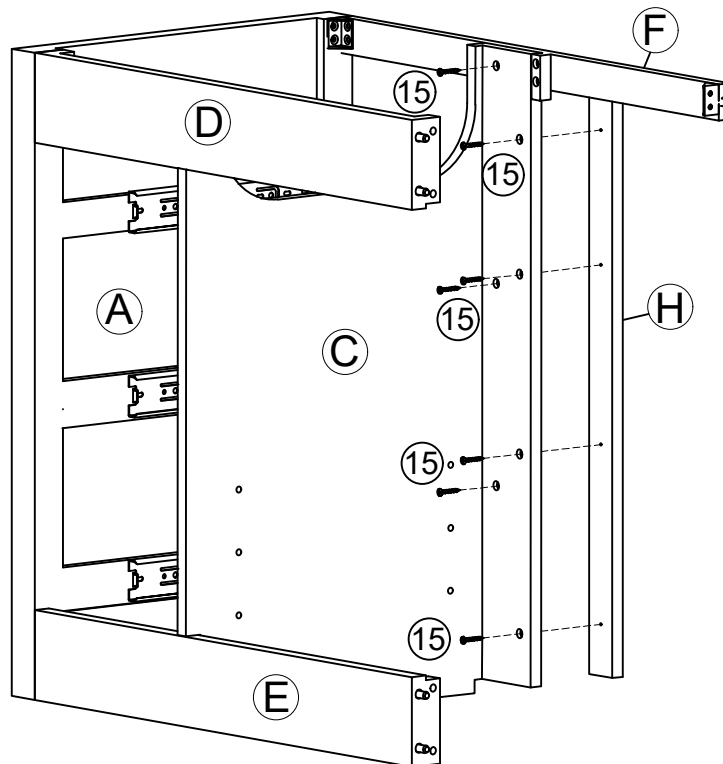
⑭  2pcs
Ø3x12mm

⑫  4pcs
Ø15x9mm





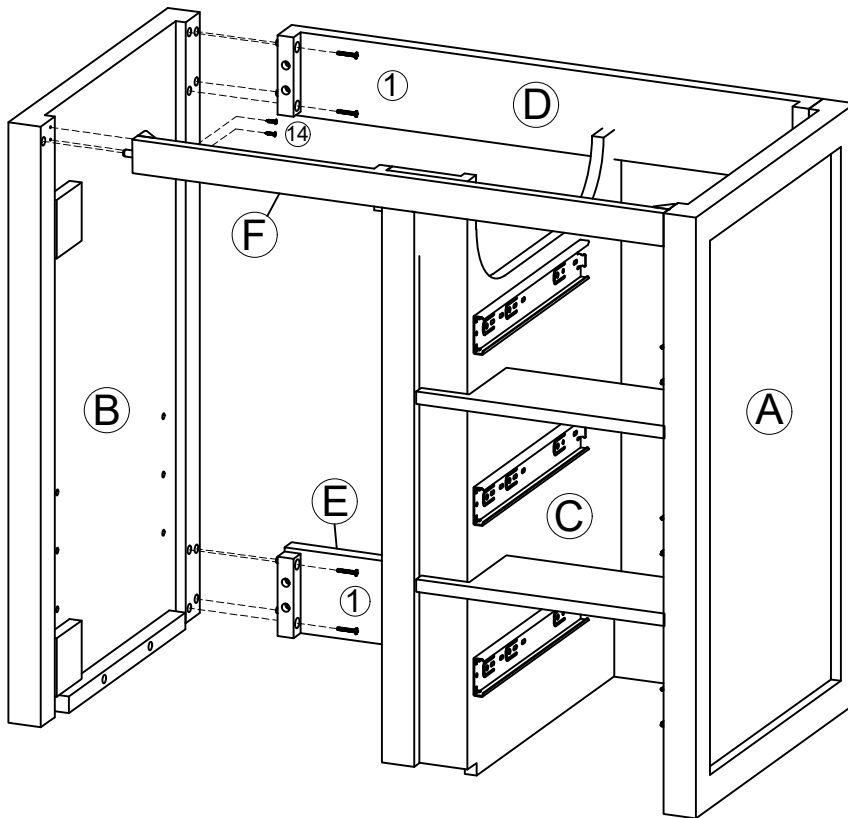
STEP 8

⑮  7pcs
Ø4x20mm






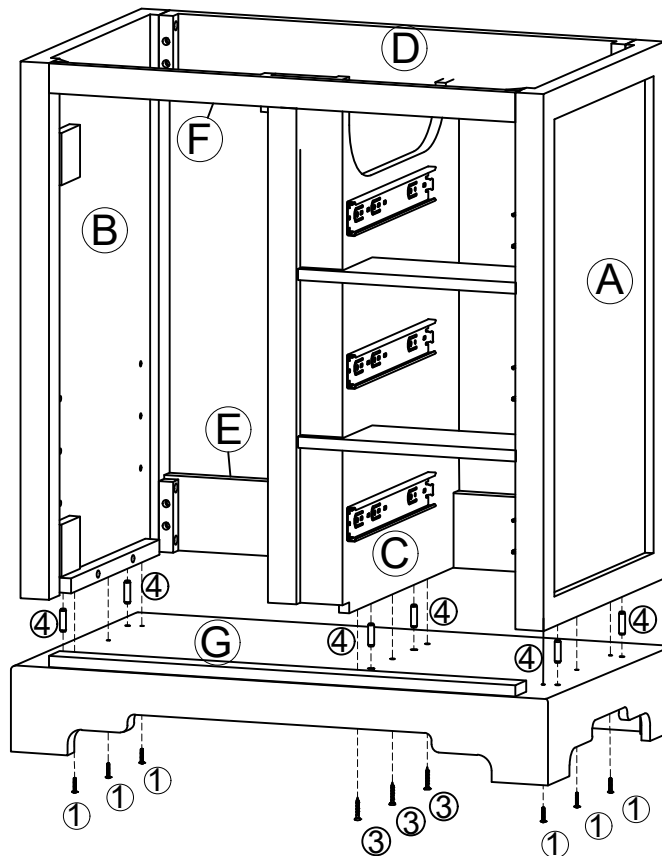
STEP 9

- ①  4pcs 1/4"x25mm
⑭  2pcs Ø3x12mm

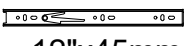



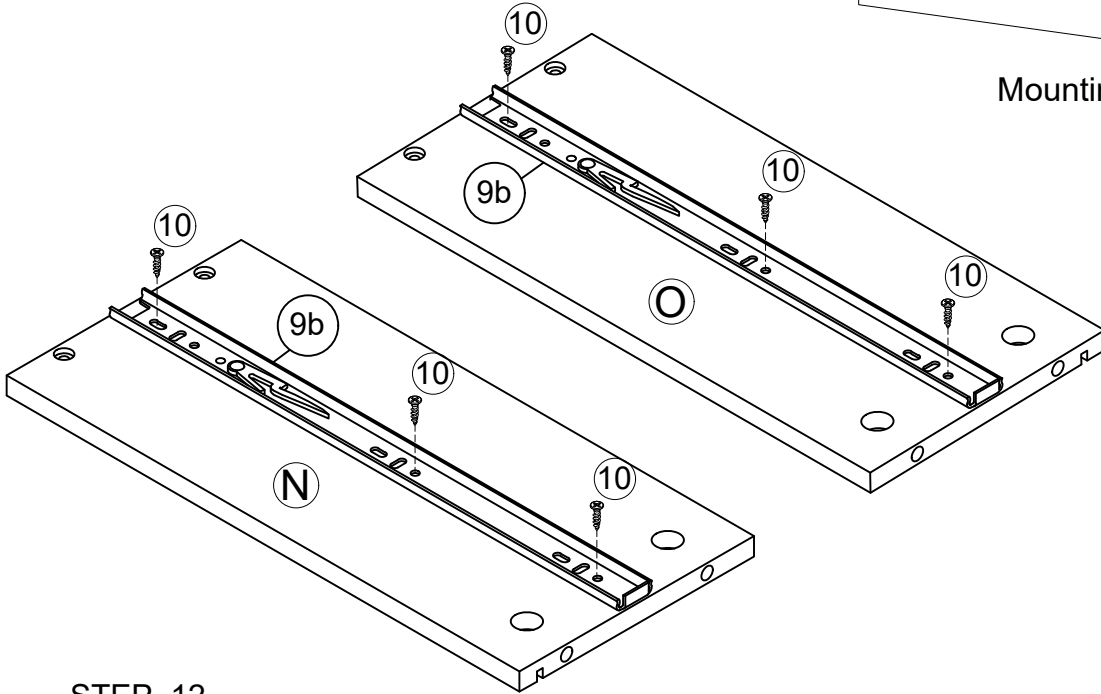
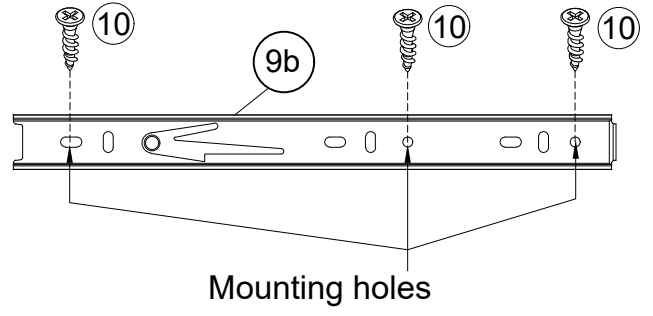
STEP 10

- ①  6pcs 1/4"x25mm
③  3pcs Ø4x35mm
④  6pcs Ø8x30mm




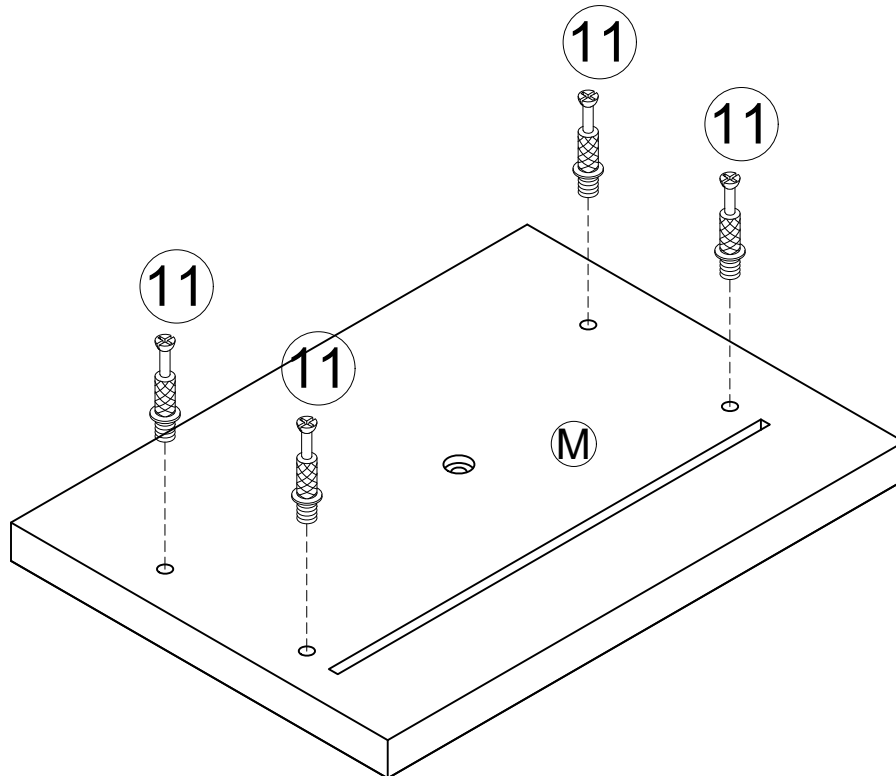
STEP 11

- 9b  2pcs 12"x45mm
- 10  6pcs $\text{Ø}3 \times 10\text{mm}$




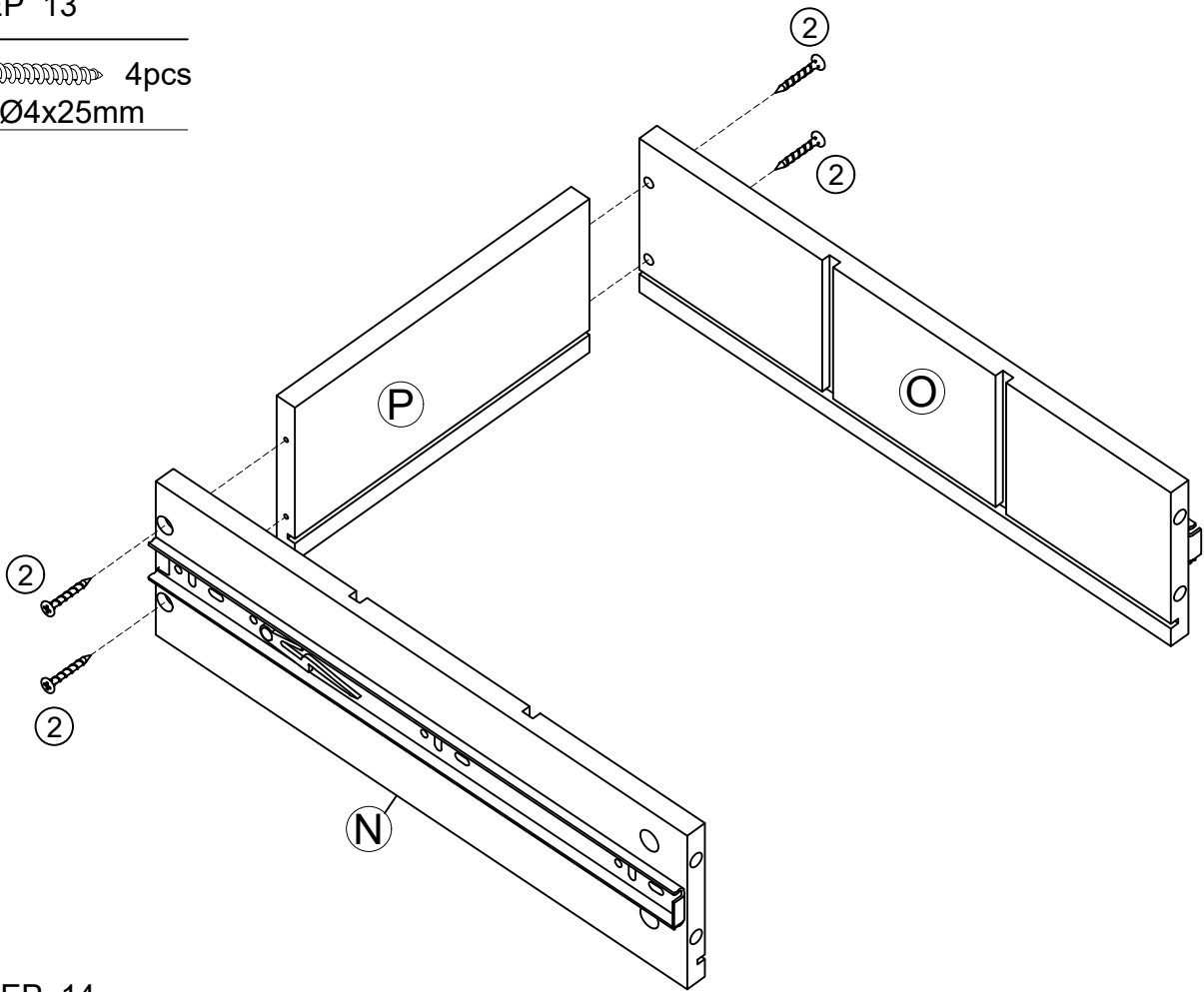
STEP 12

- 11  4pcs $\text{Ø}6 \times 33\text{mm}$

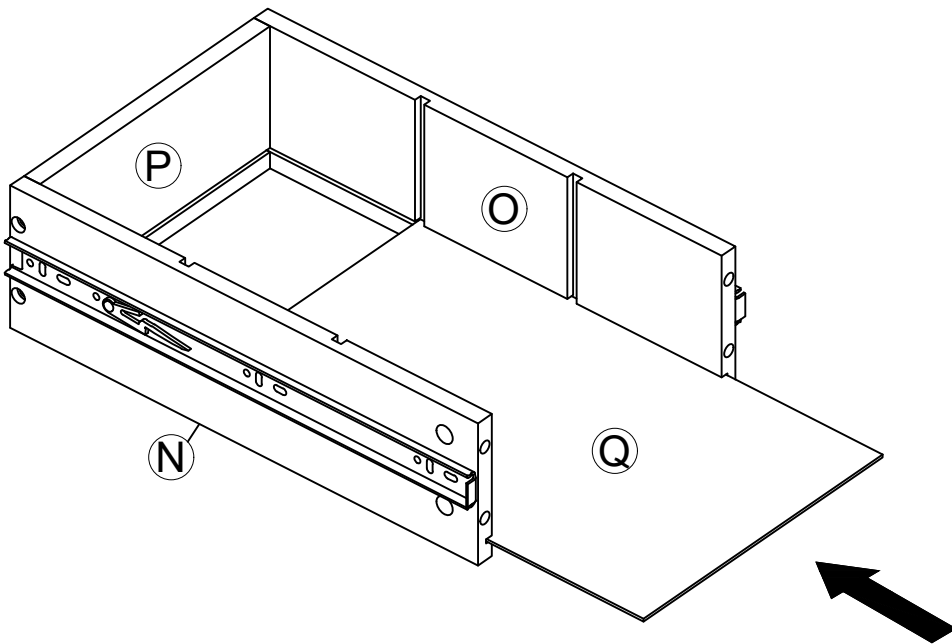


STEP 13

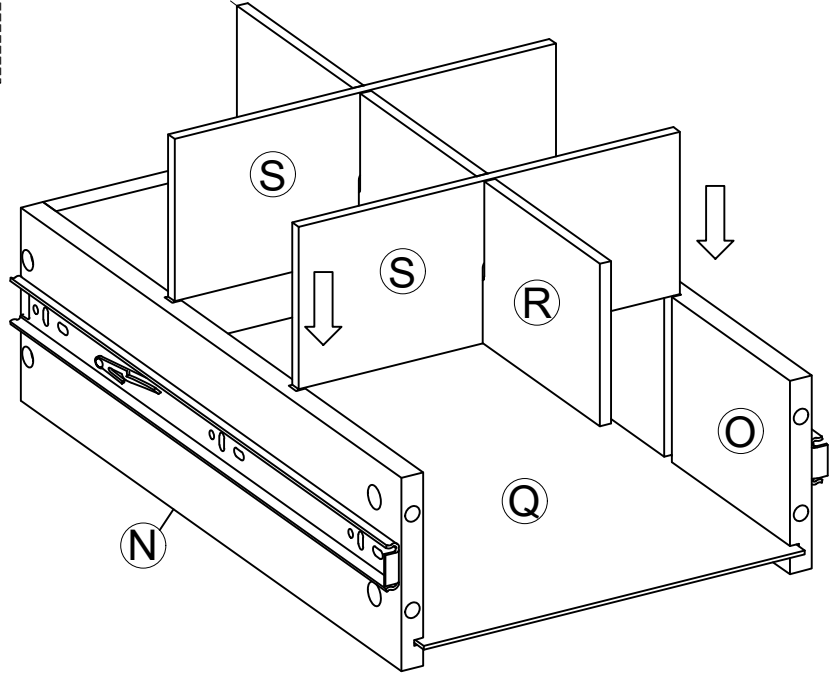
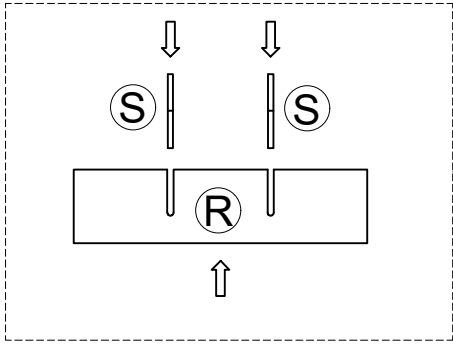
②  4pcs
Ø4x25mm




STEP 14





STEP 15

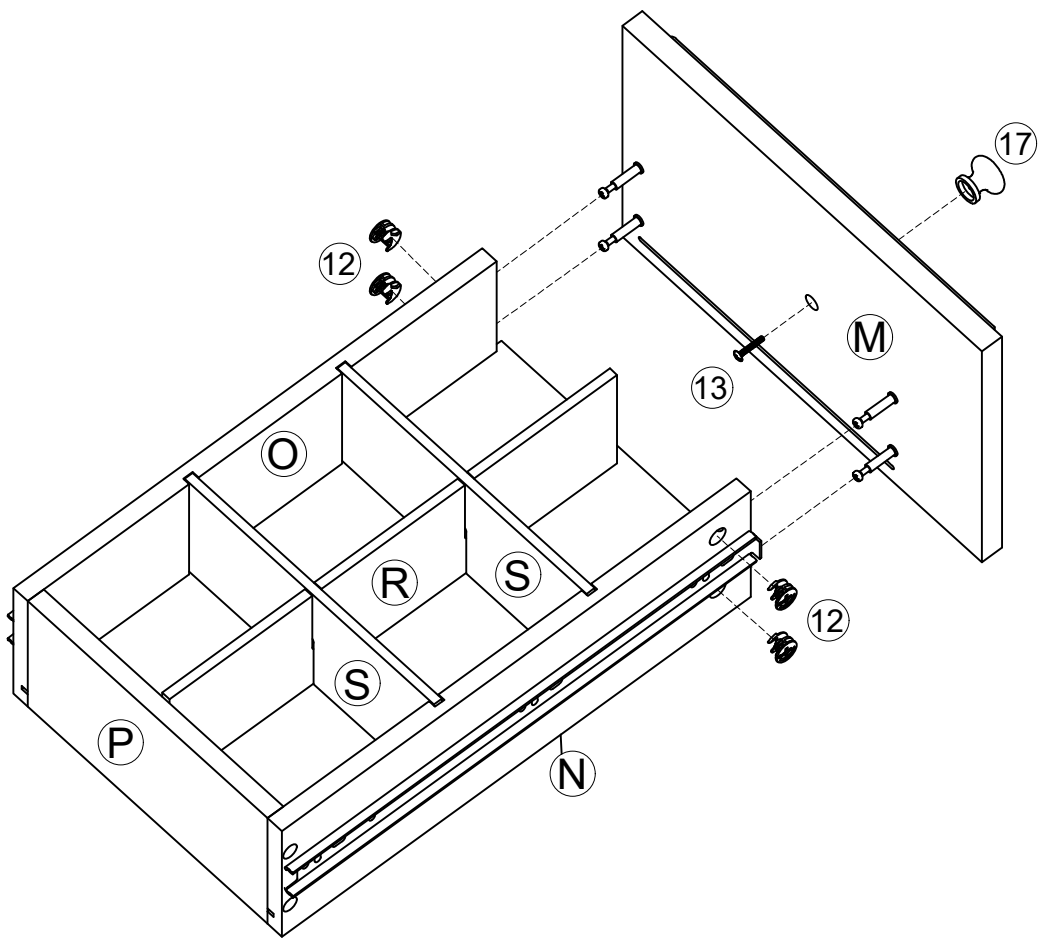


STEP 16

⑫  4pcs
Ø15x9mm

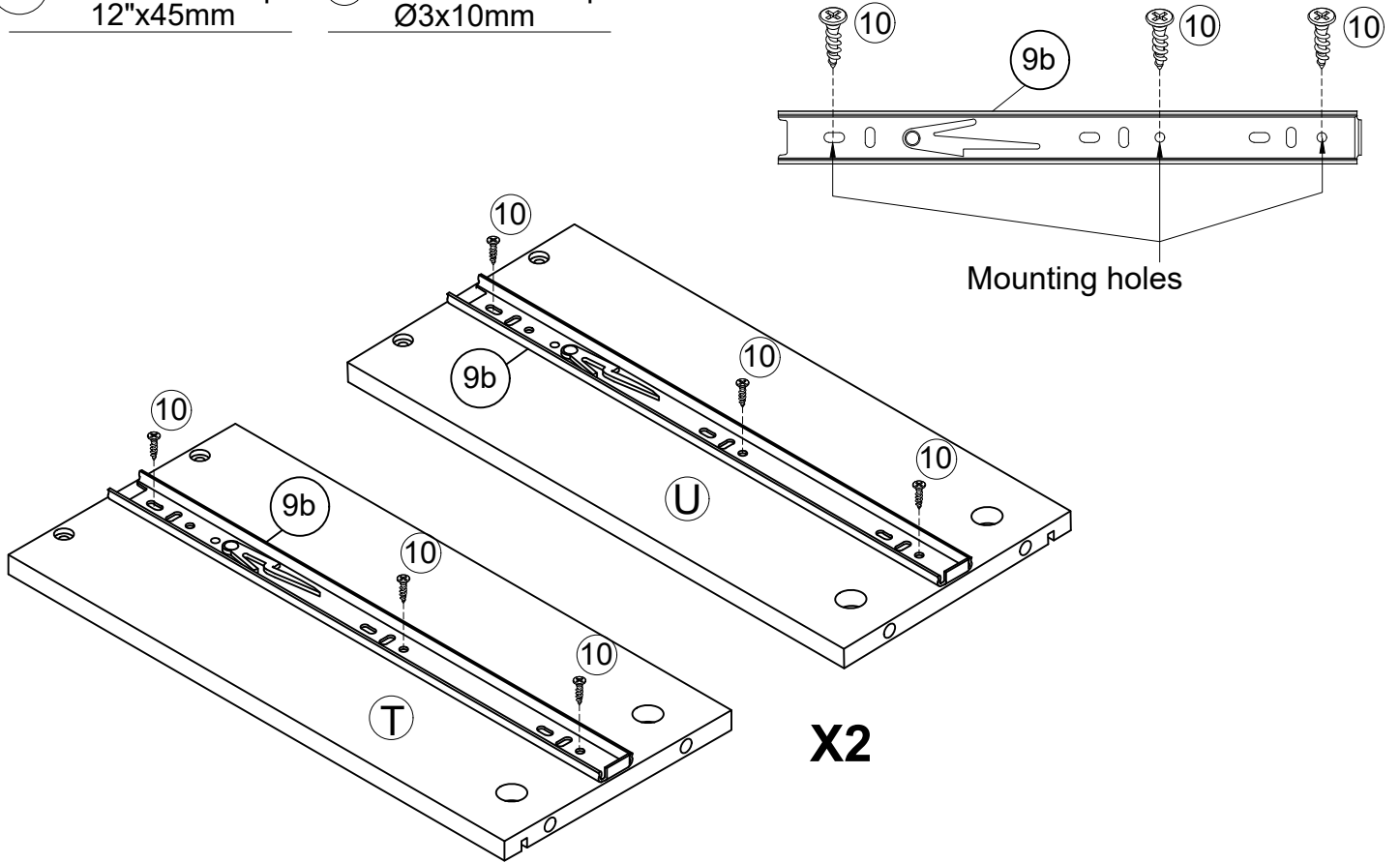
⑰  1pc

⑬  1pc
5/32"x18mm





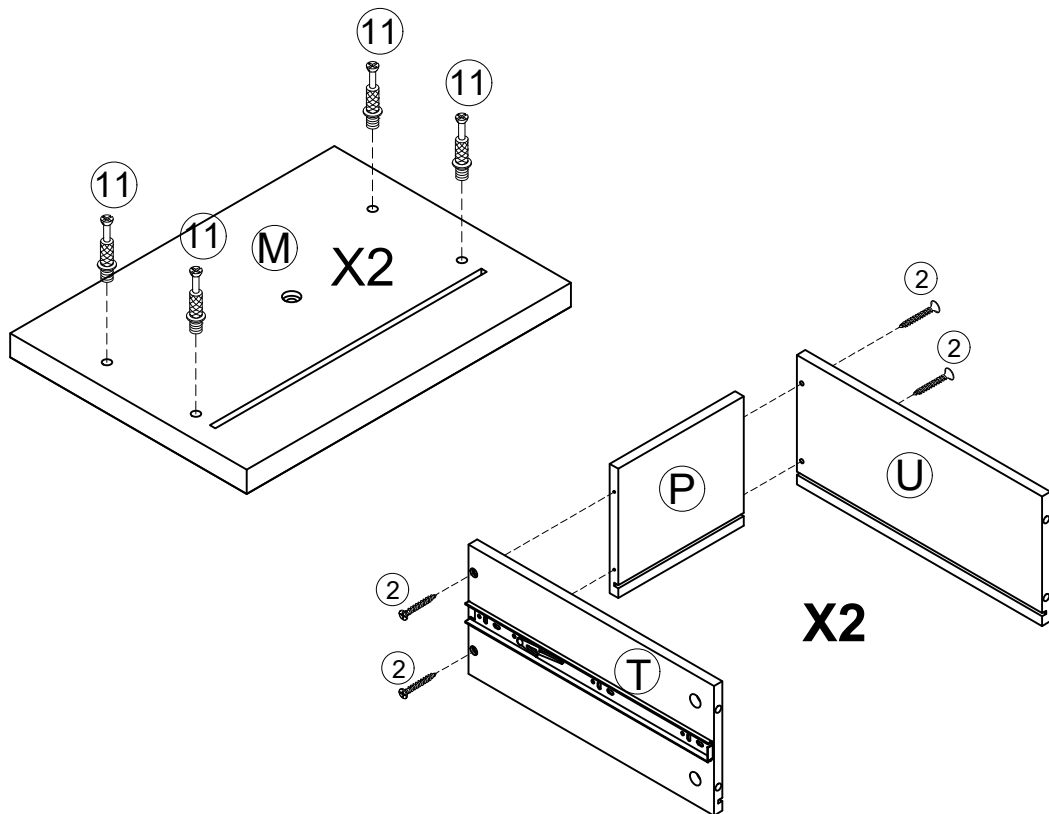
STEP 17

- 9b  4pcs 12"x45mm
10  12pcs Ø3x10mm

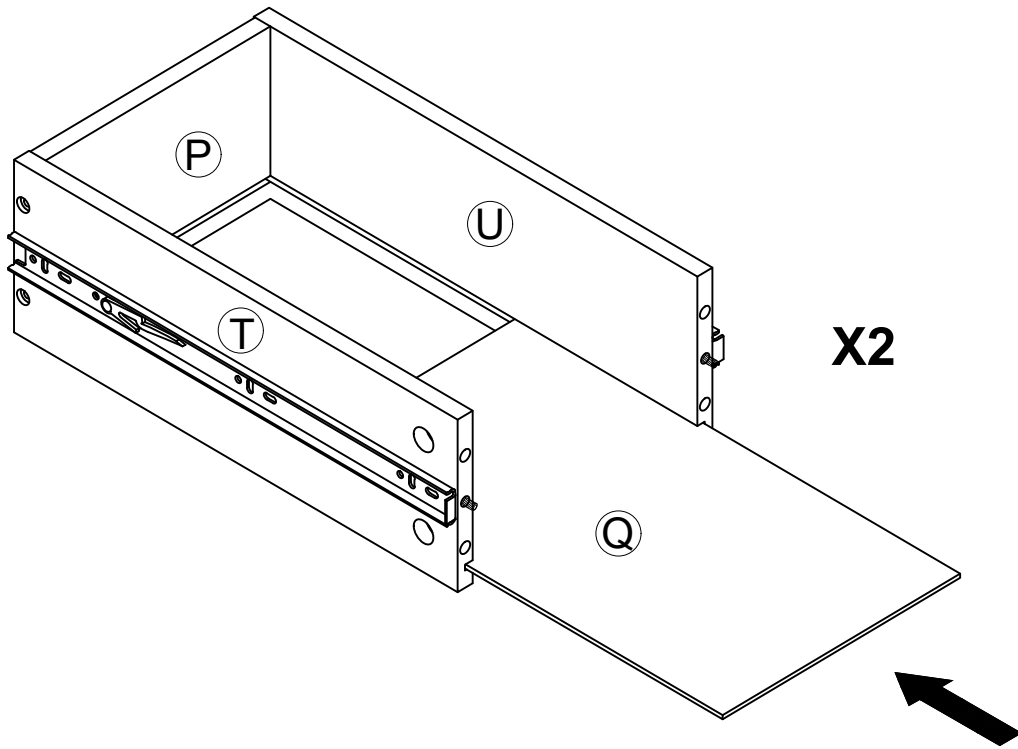


STEP 18




- 2  8pcs Ø4x25mm
11  8pcs Ø6x33mm

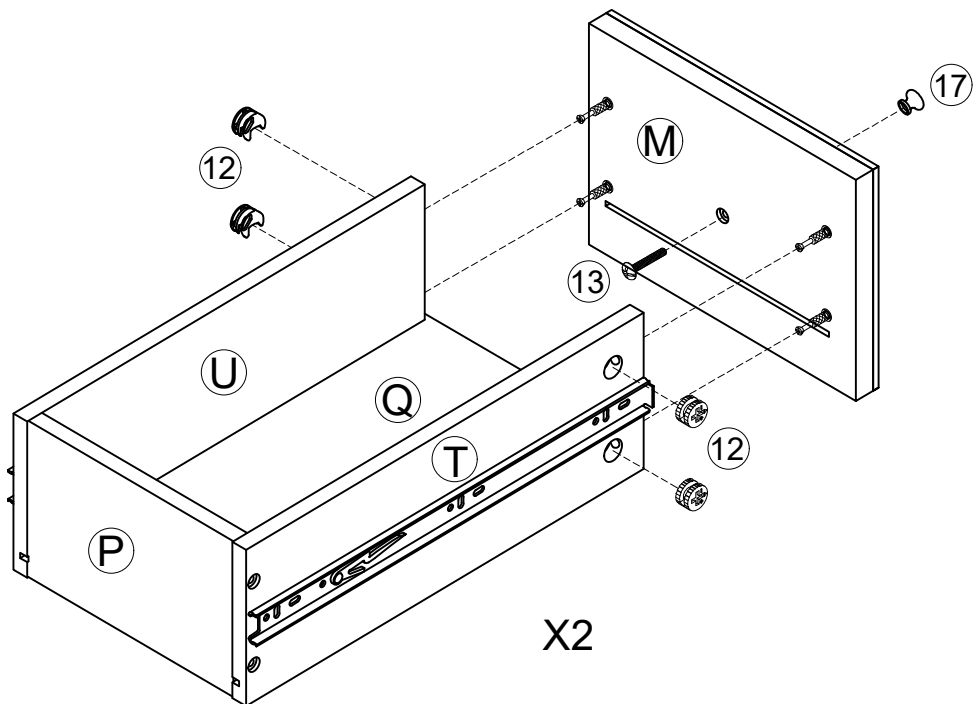


STEP 19

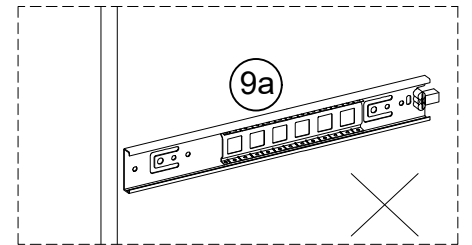
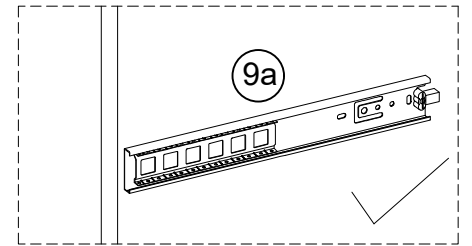
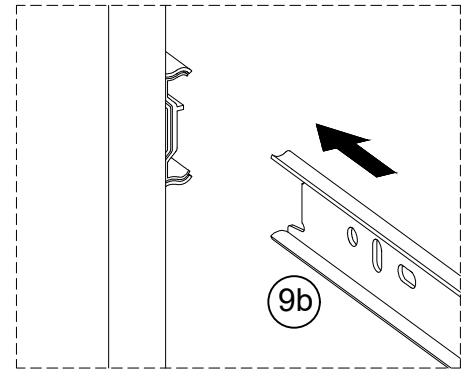
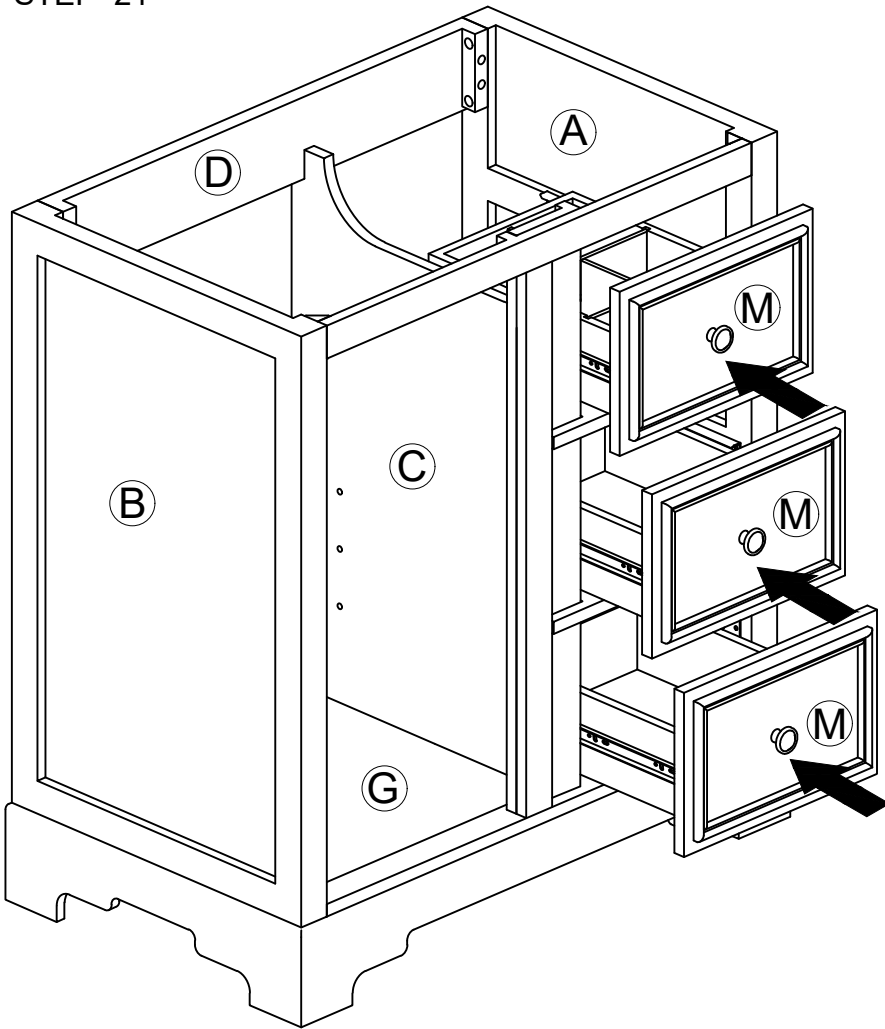


STEP 20

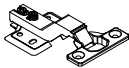
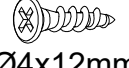
- | | | | | | | | | |
|---|---|------|---|---|------|---|---|------|
| ⑫ |  | 8pcs | ⑰ |  | 2pcs | ⑬ |  | 2pcs |
| | Ø15x9mm | | | | | | 5/32"x18mm | |

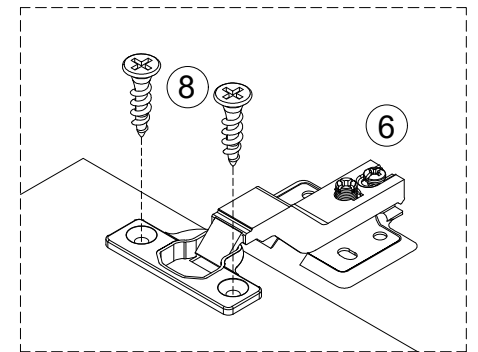
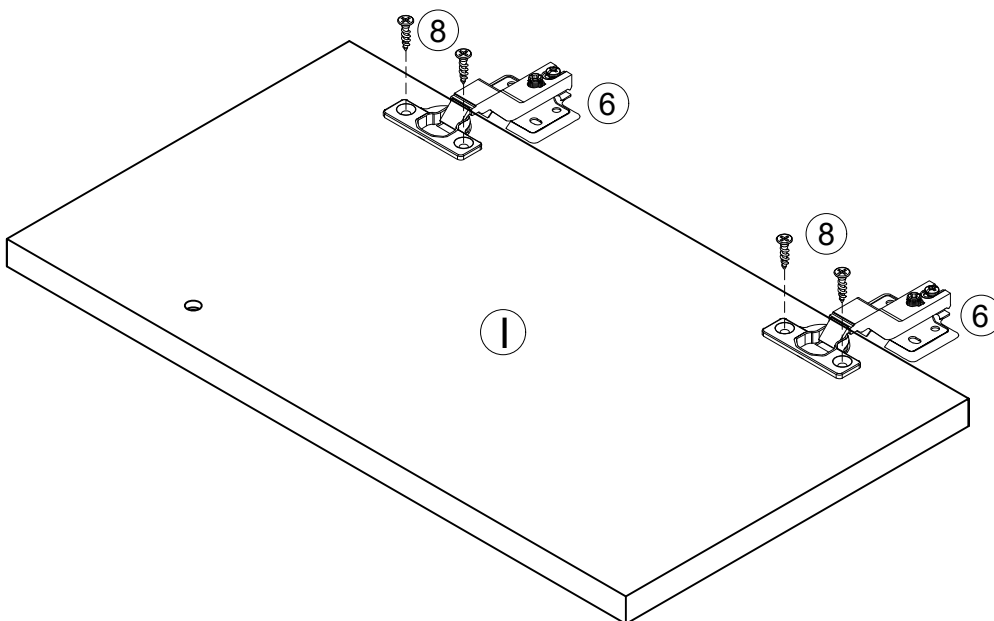


STEP 21



STEP 22

- 6  2pcs 8  4pcs
Ø4x12mm

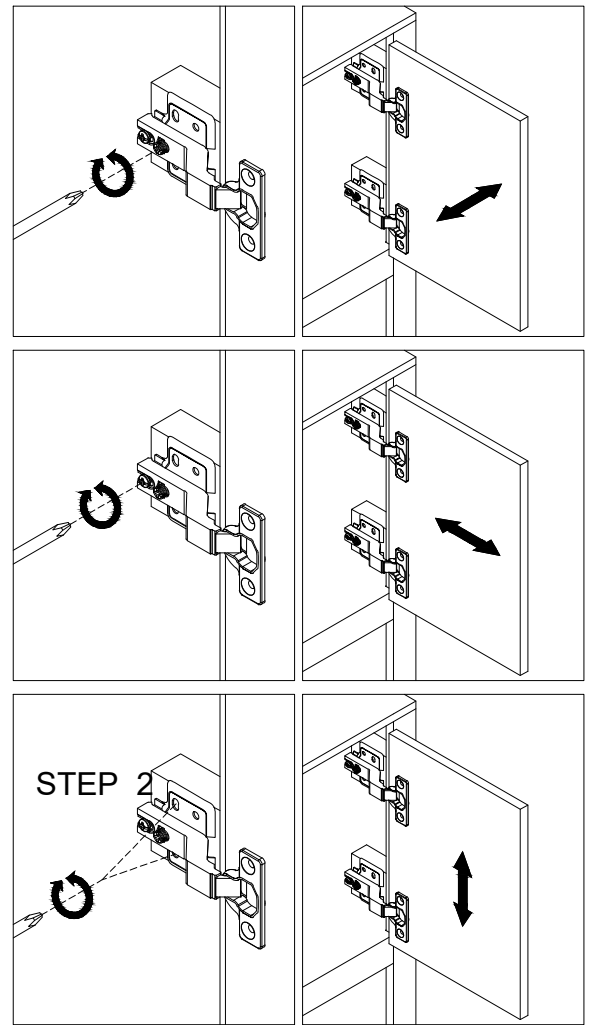
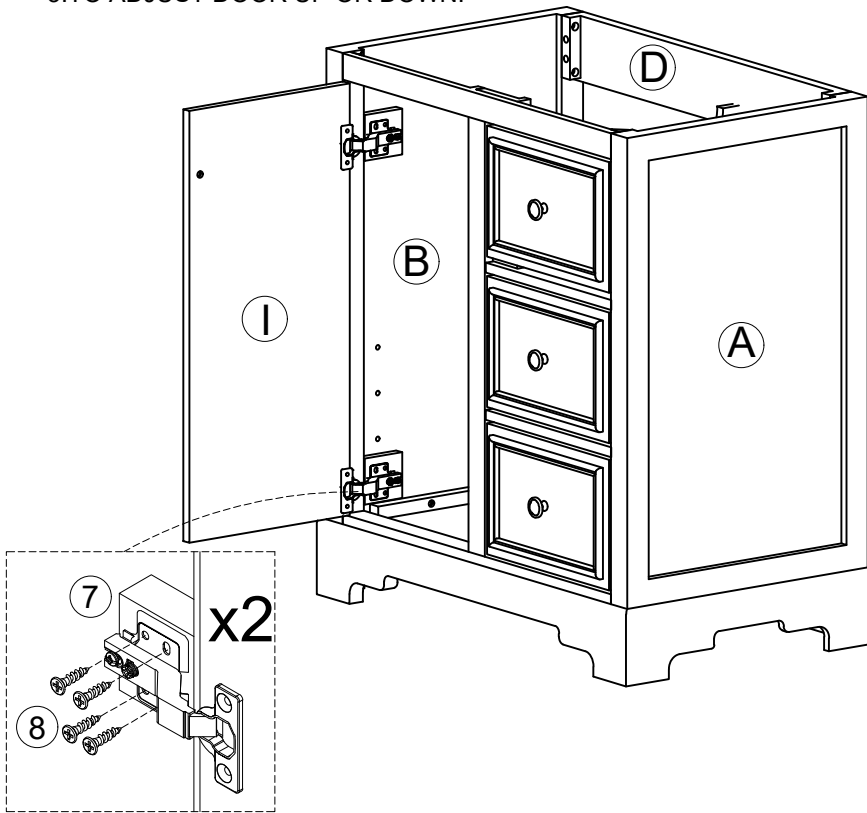


STEP 23



8  8pcs
Ø4x12mm

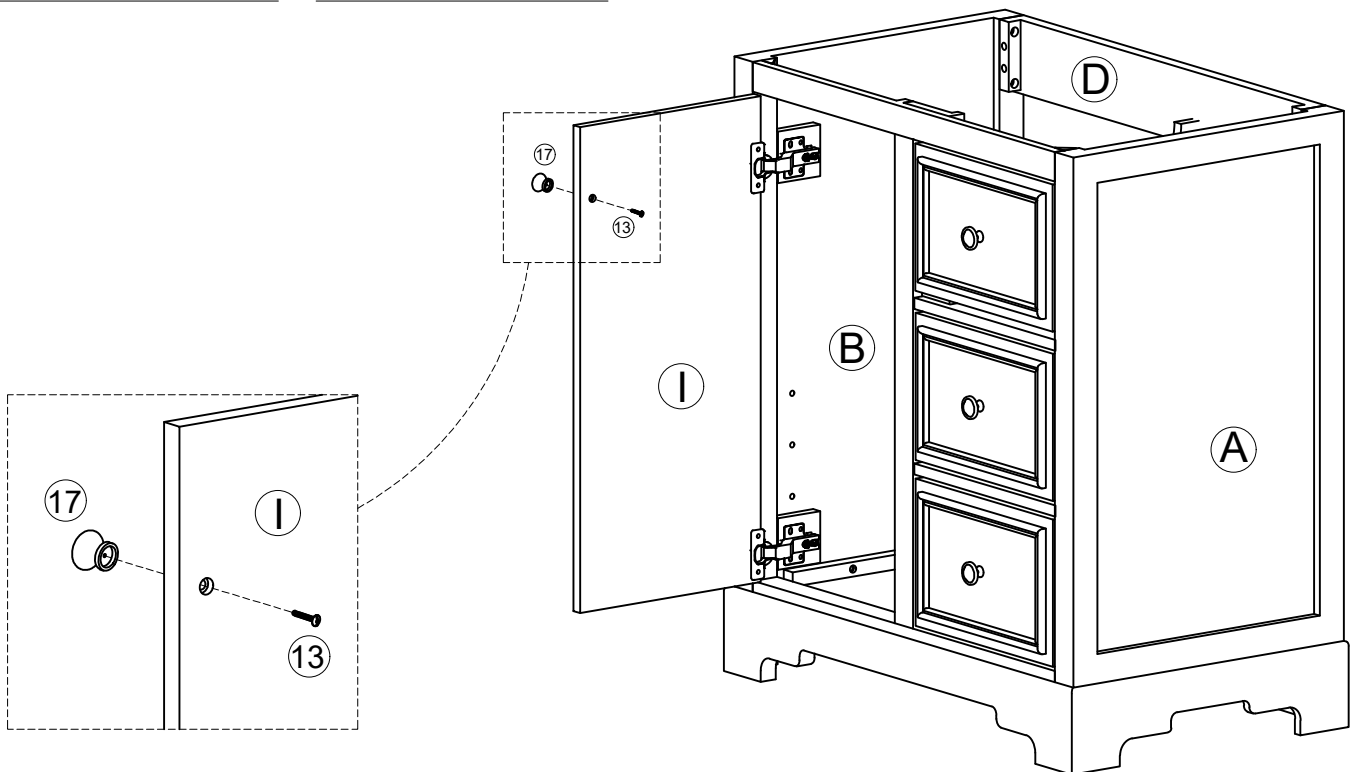
Three-way adjustable hinge for perfectly aligned doors

1. TO ADJUST DOOR FORWARD OR BACKWARD.
2. TO ADJUST DOOR TO RIGHT OR TO LEFT.
3. TO ADJUST DOOR UP OR DOWN.



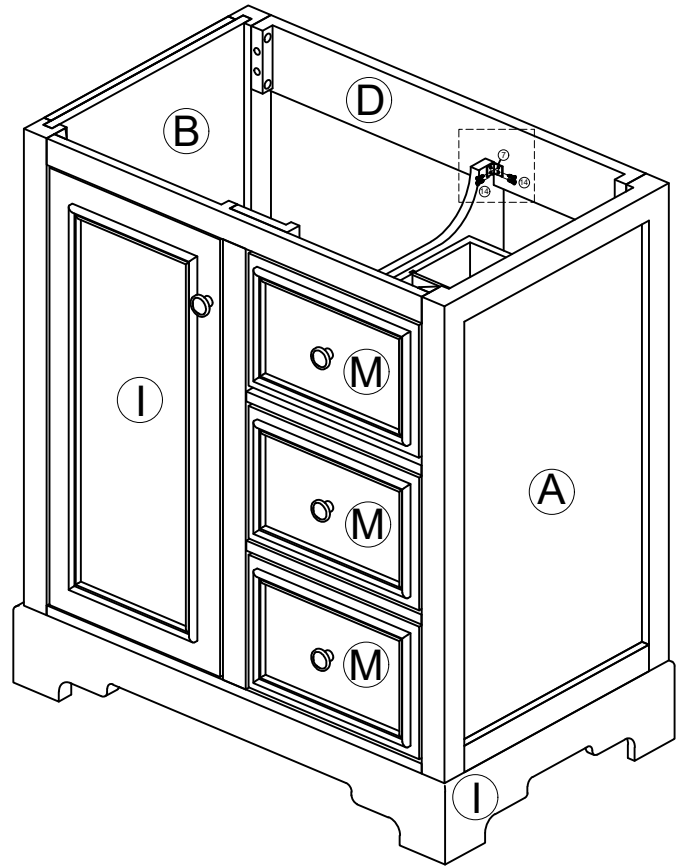
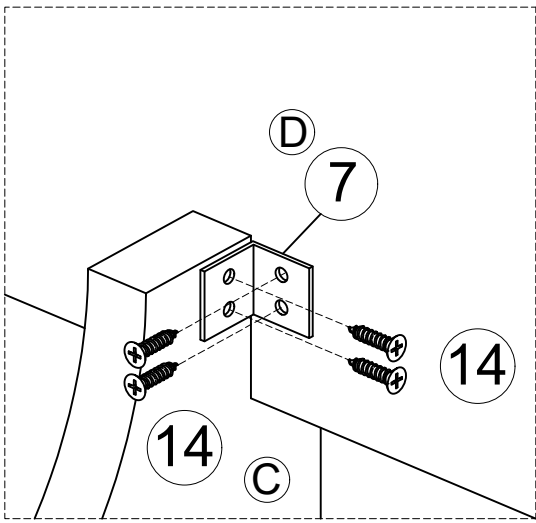
STEP 24

17  1pc 13  1pc
5/32"x18mm



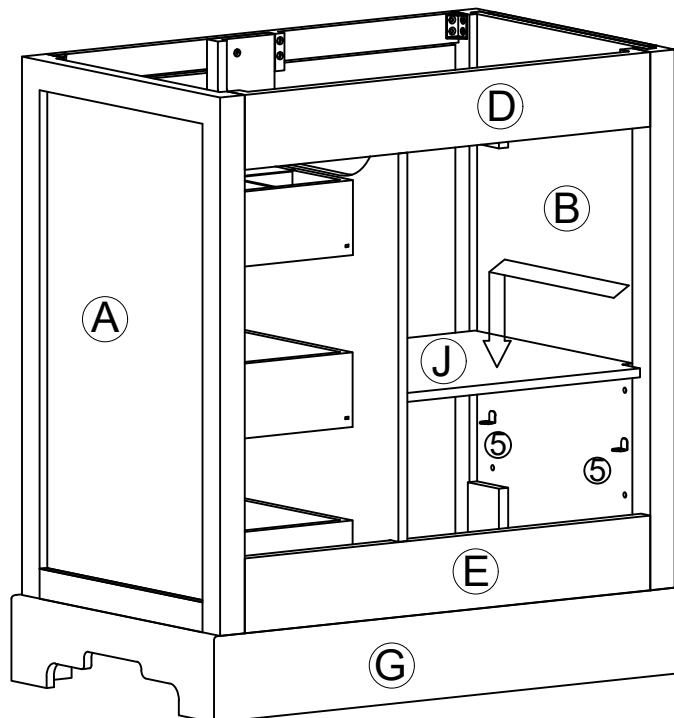
STEP 25

- ⑦ 1pc
⑭ 4pcs
Ø3x12mm

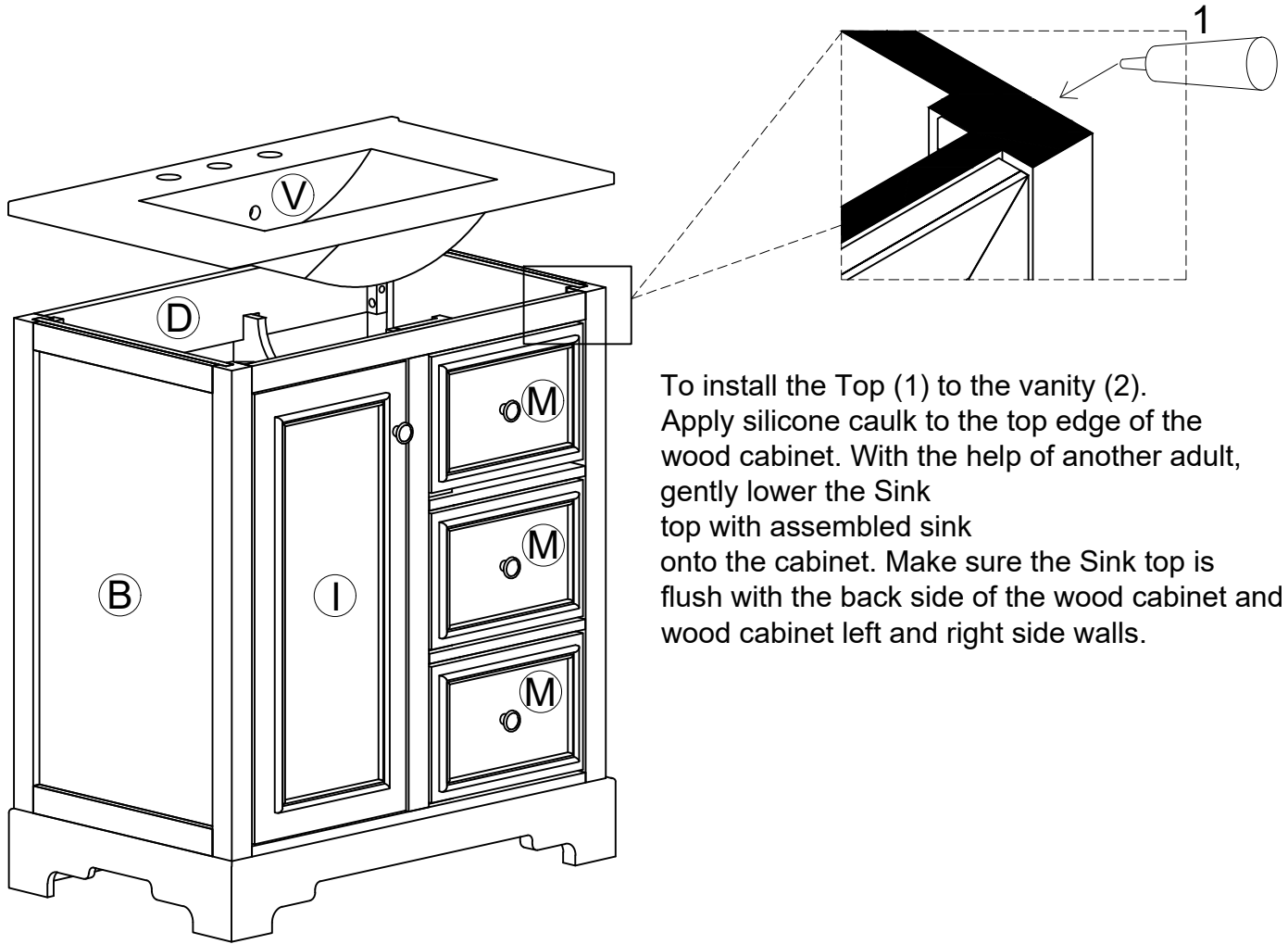


STEP 26

- ⑤ 4pcs



STEP 27



To install the Top (1) to the vanity (2). Apply silicone caulk to the top edge of the wood cabinet. With the help of another adult, gently lower the Sink top with assembled sink onto the cabinet. Make sure the Sink top is flush with the back side of the wood cabinet and the wood cabinet left and right side walls.

STEP 28

