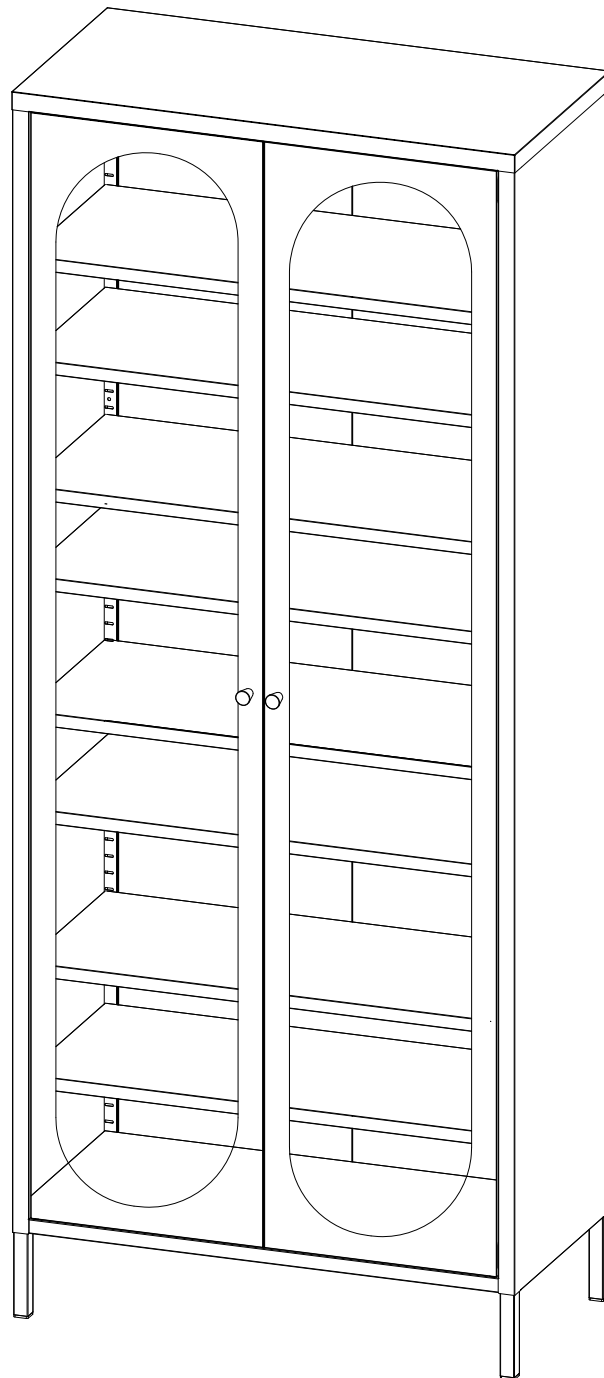
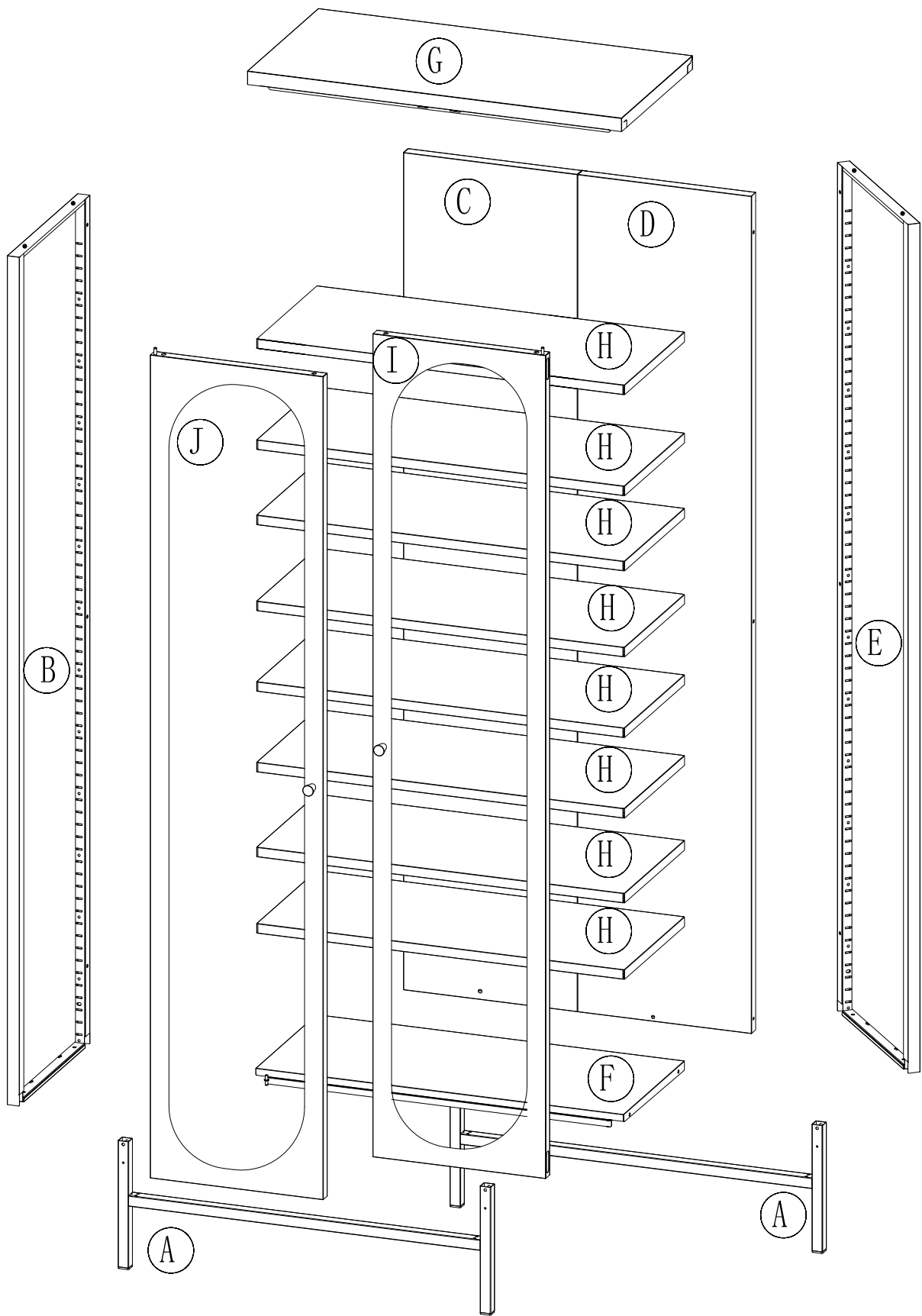


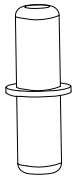
Metal shoe cabinet





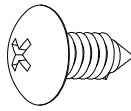
Accessories List

1



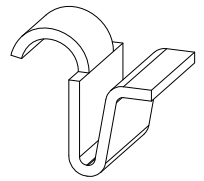
Bolts × 4

2



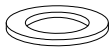
Screws × 37

3



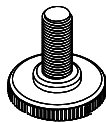
Holders × 32

4



Plastic Rings × 4

5



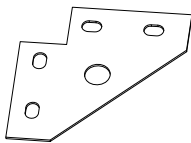
Adjustable Feet × 4

6



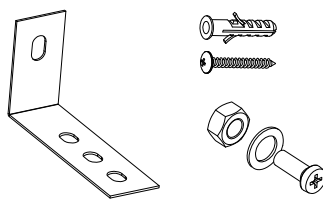
Puller handle, Screws × 2

7



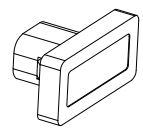
Triangles × 4

8



L-type
anti tilt films × 2

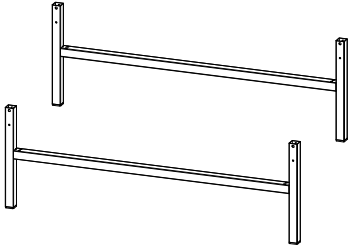
9



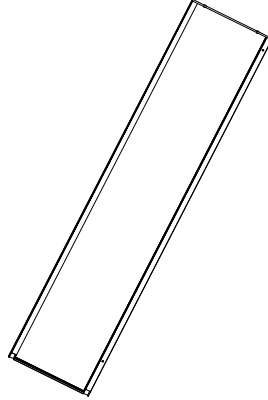
Magnetic
attractions × 4

Parts List

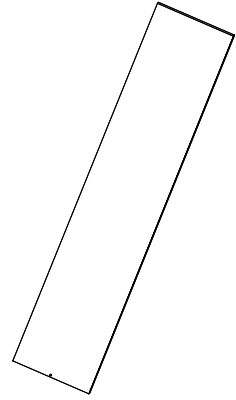
(A) Legs x 2



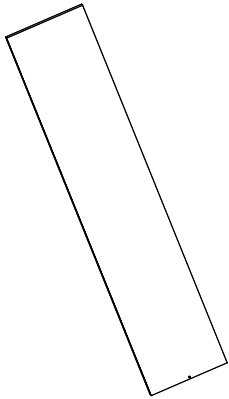
(B) Side panel, left x 1



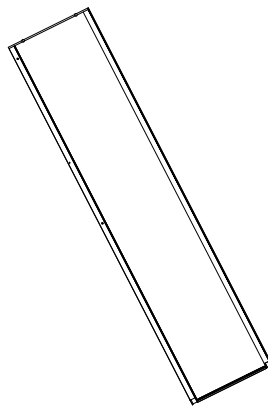
(C) Left Back panel x 1



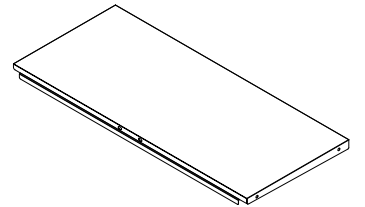
(D) Right Back panel x 1



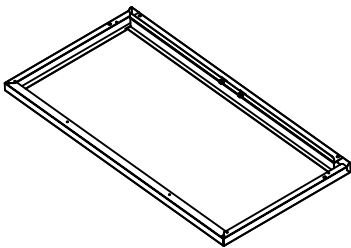
(E) Side panel, right x 1



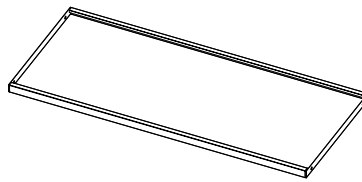
(F) Bottom panel x 1



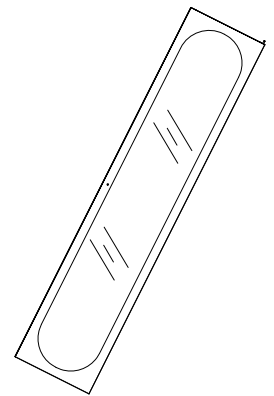
(G) Top cover panel x 1



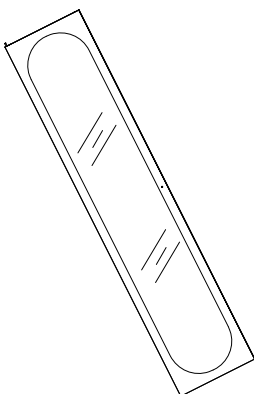
(H) Shelves x 8



(I) Door, right x 1



(J) Door, left x 1



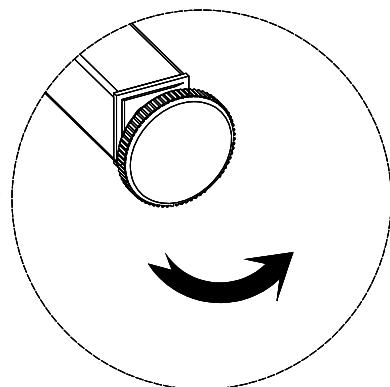
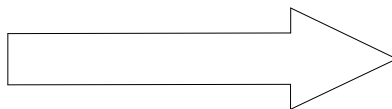
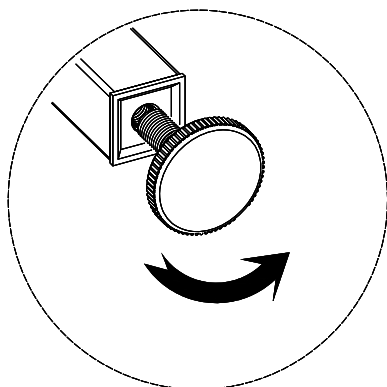
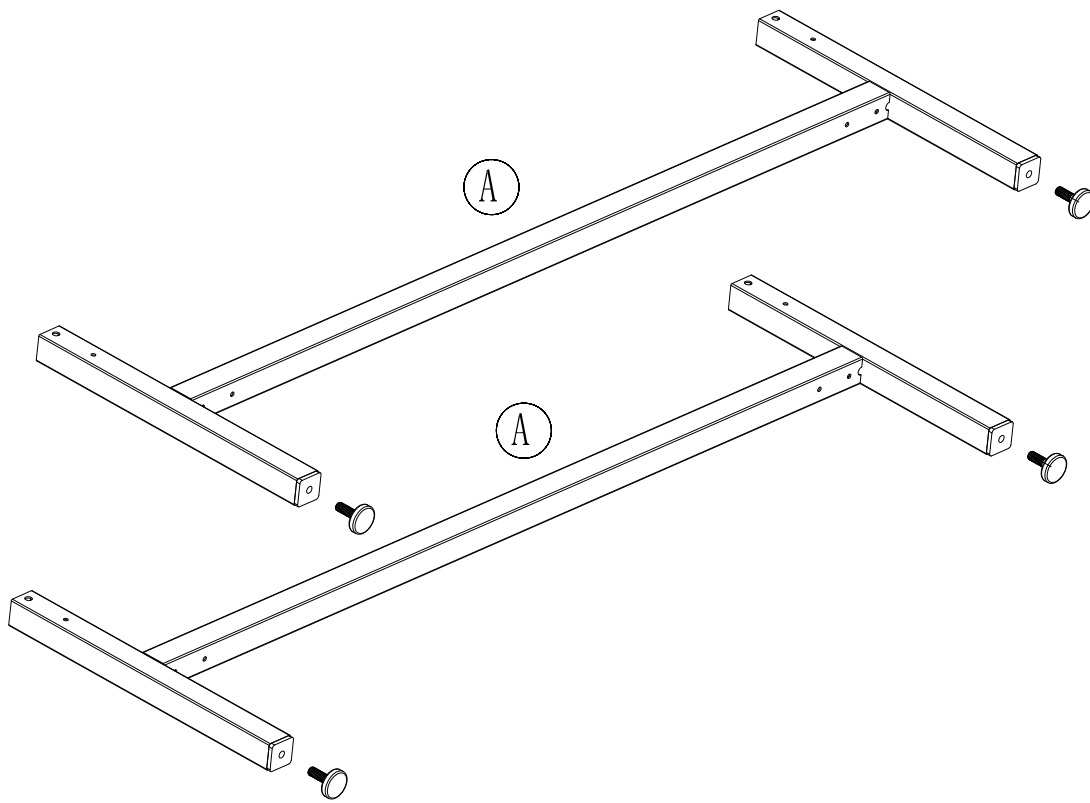
Step 1

Install the adjustable feet on the leg A

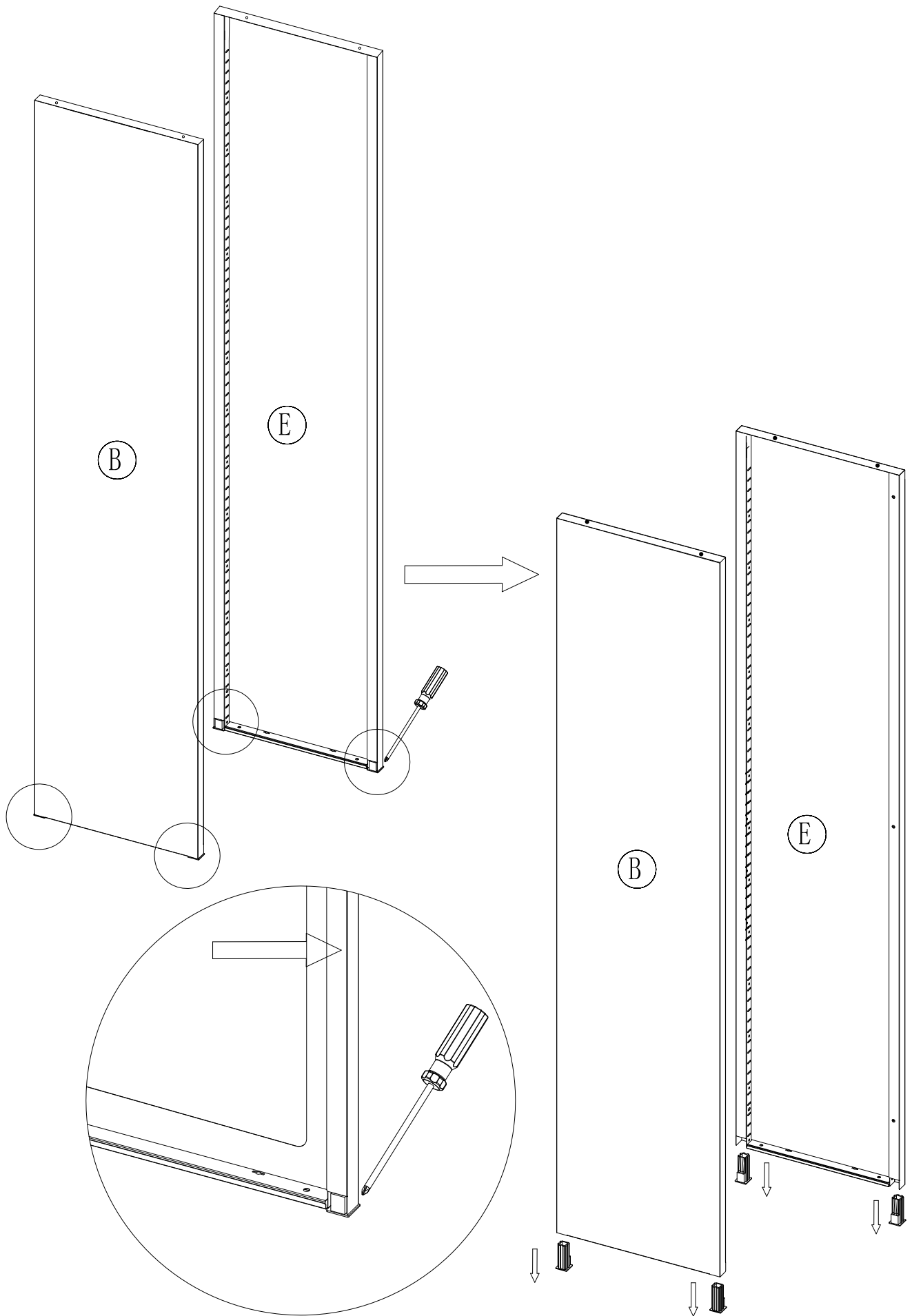
5



Adjustable Feets×4

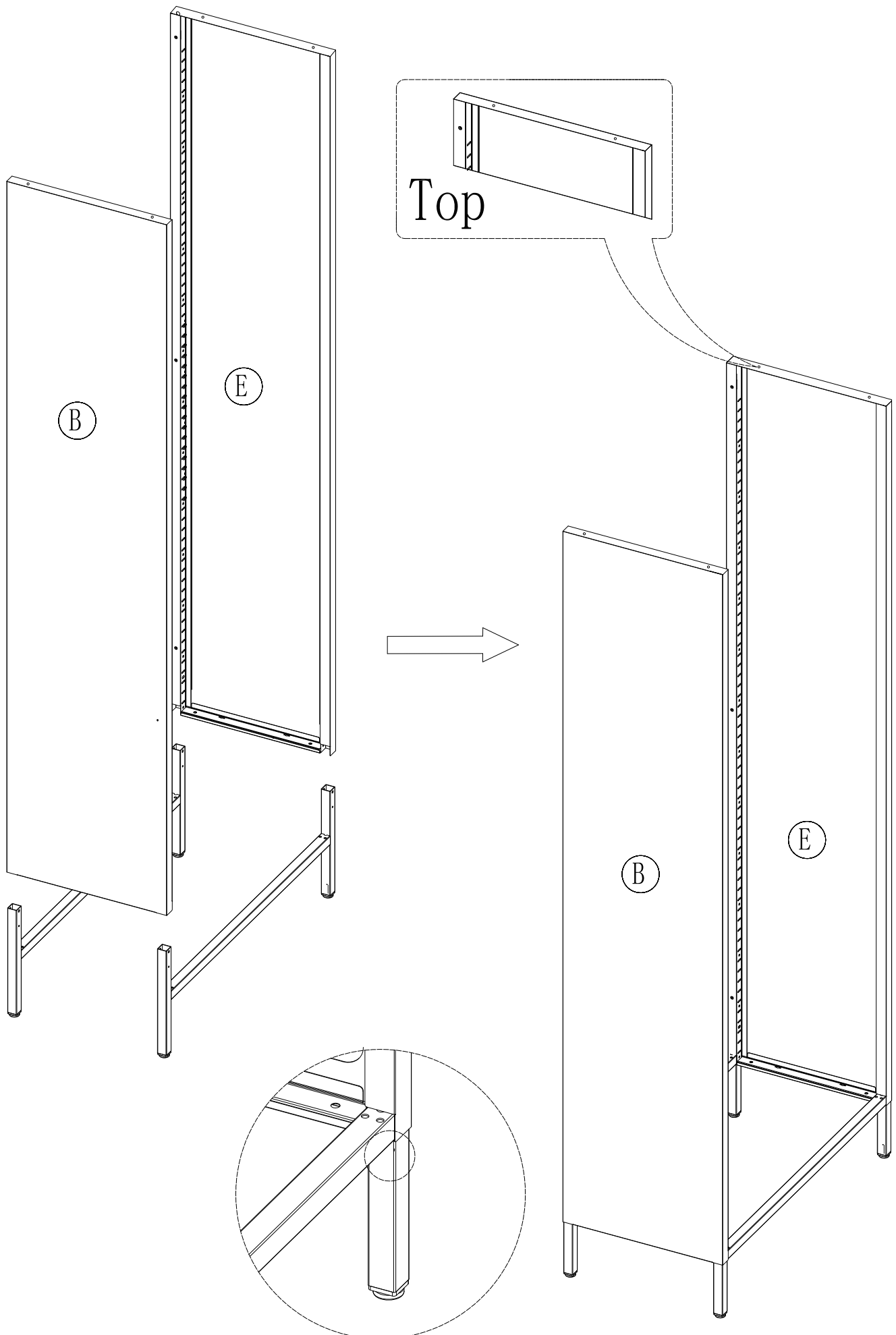


Step 2 Remove the protective plug from B and E side panel



Step 3

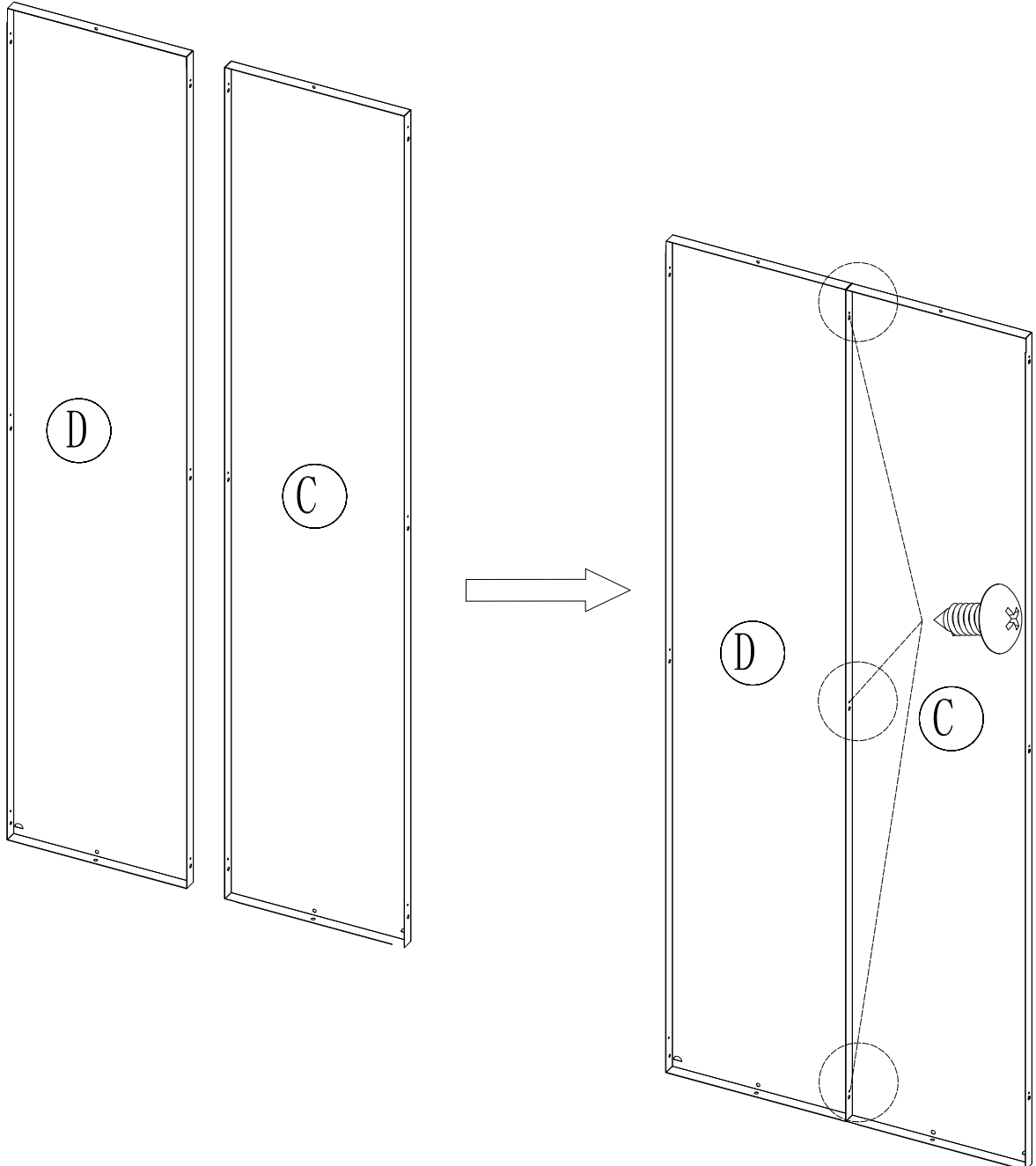
Insert the legs A into the side panels B and E



Step 4 Use screws to connect back panels C and D

2

 Screws × 3

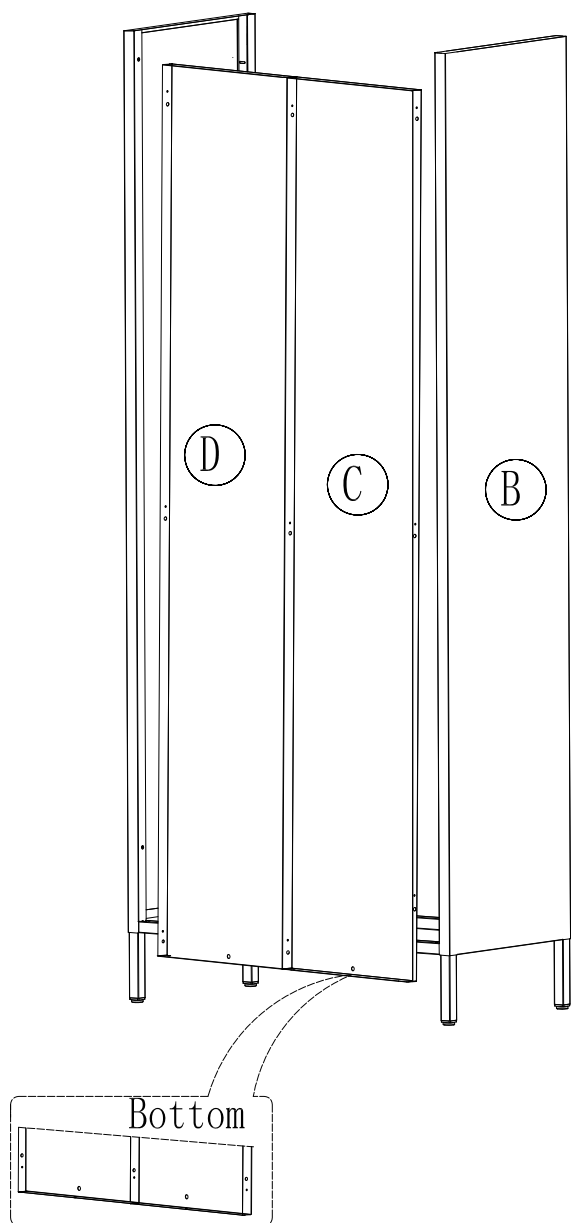


Step 5 Install the spliced back panels on the side panels and legs

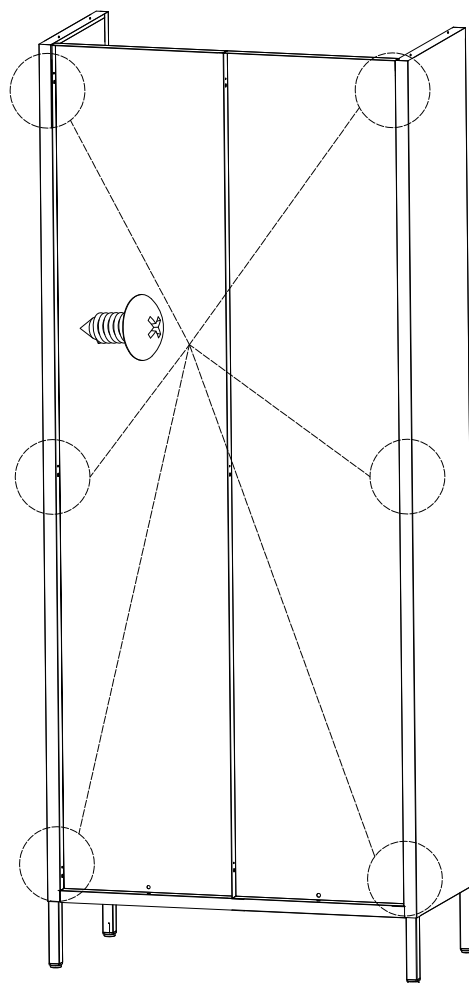
Attention:The side of the back panels without protrusions faces the interior of the steel cabinet.

2

 Screws × 6

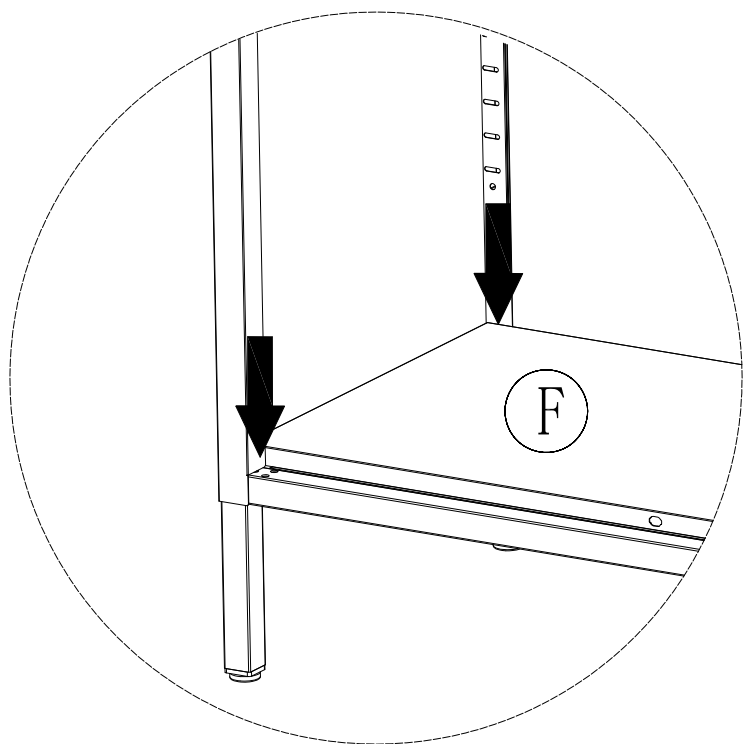
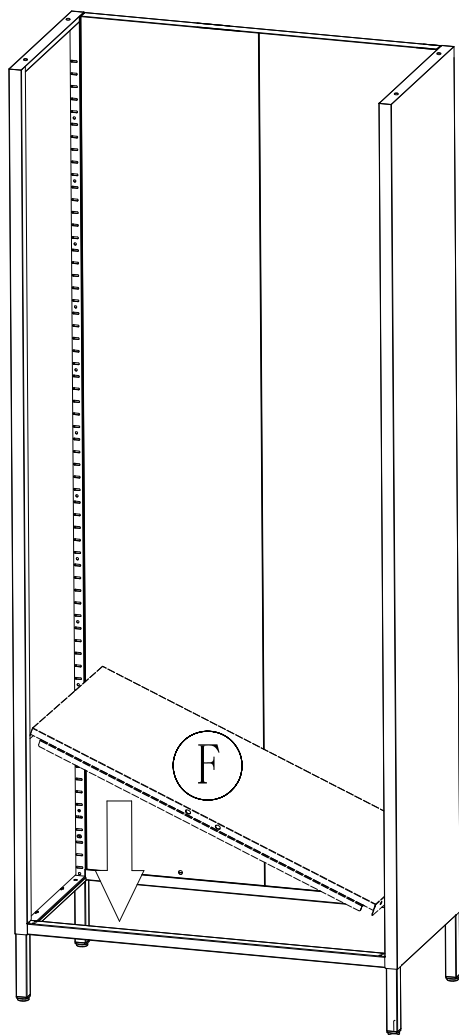


Fix the back panels with screws



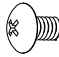
Step 6

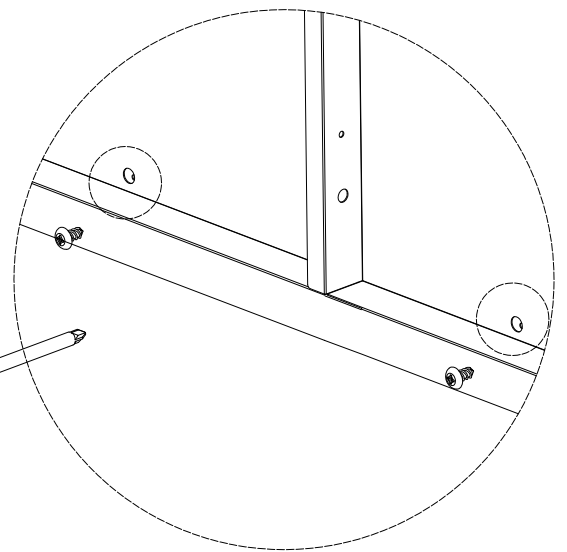
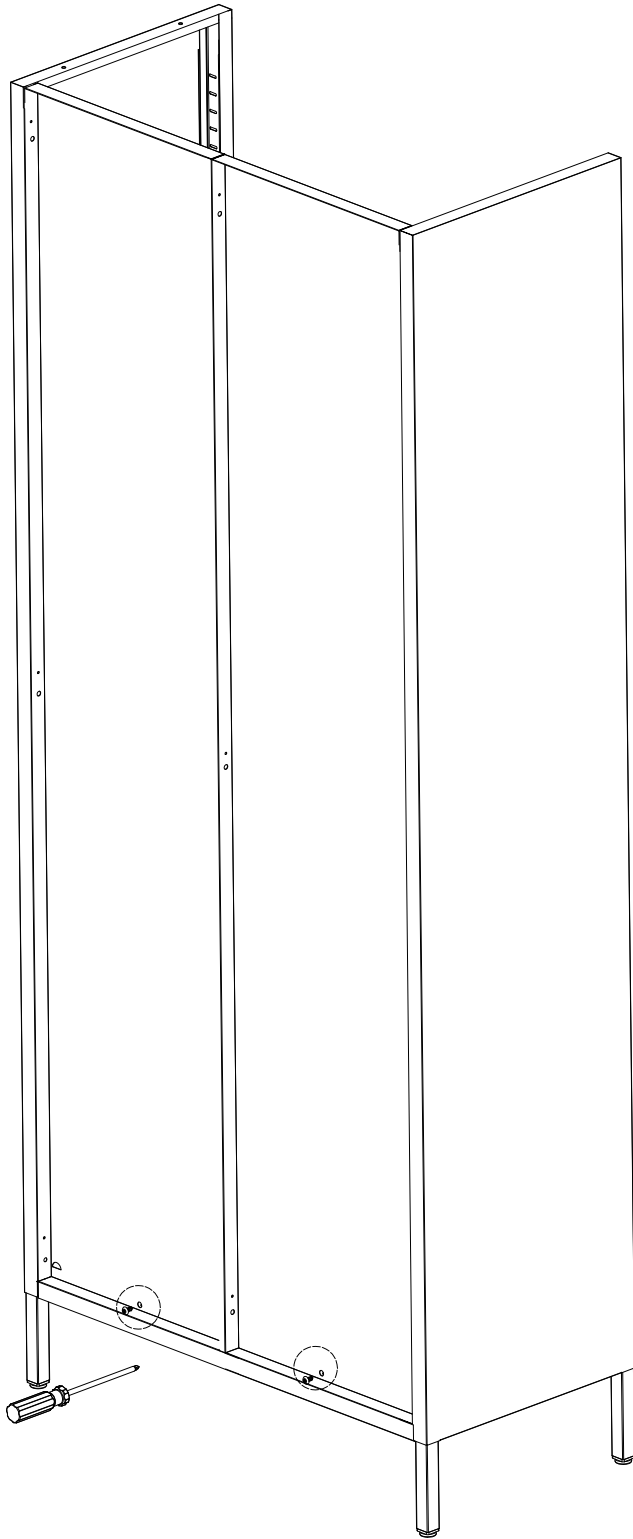
Install the bottom panel



Step 7

Fix the bottom panel F

2	 Screws × 2
---	--

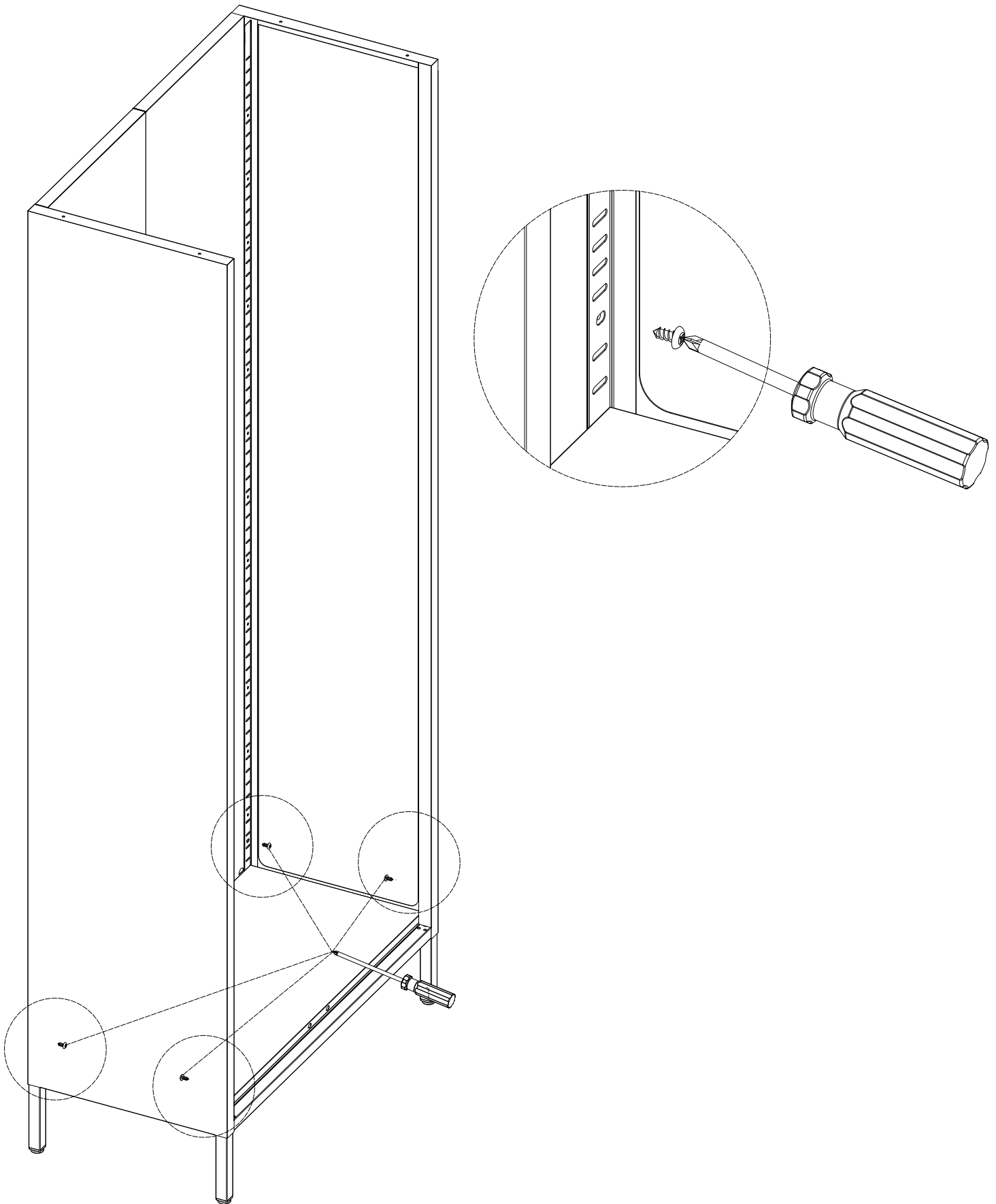


Step 8

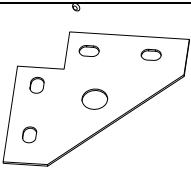
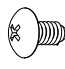
Uses screws to fix the side panels on the legs

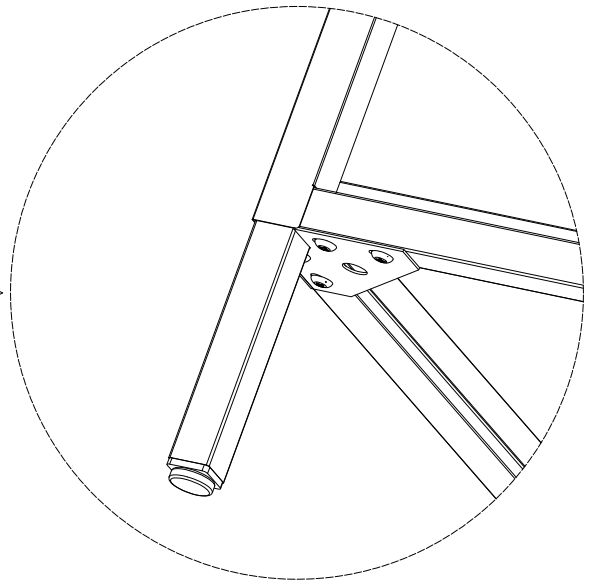
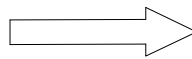
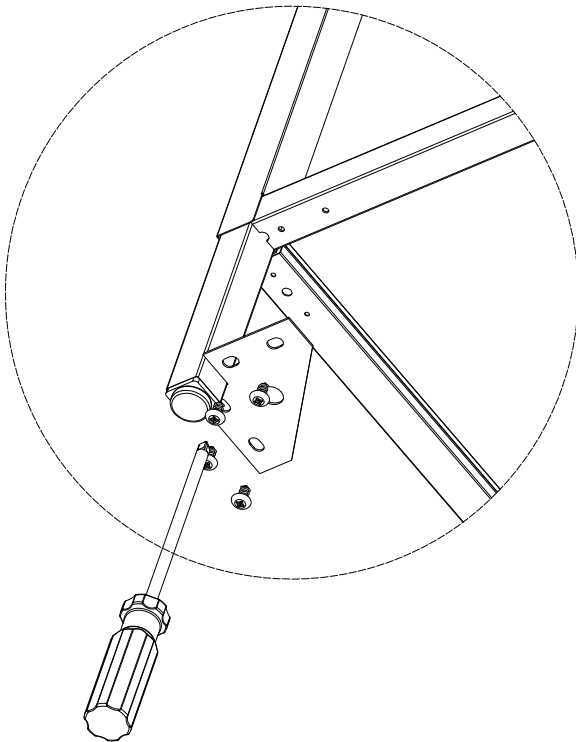
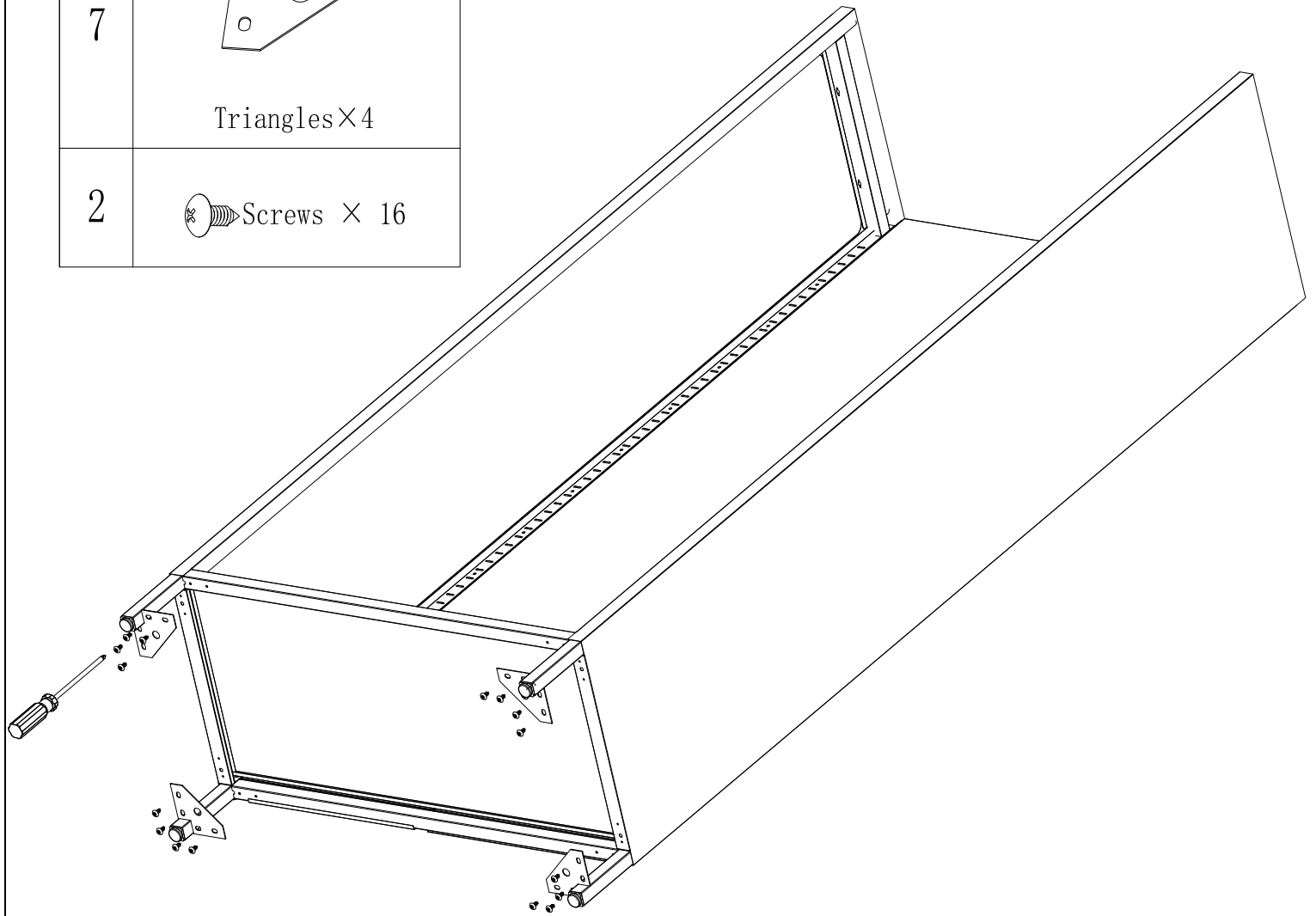
2

 Screws × 4



Step 9 Install the triangles

7	 Triangles×4
2	 Screws × 16

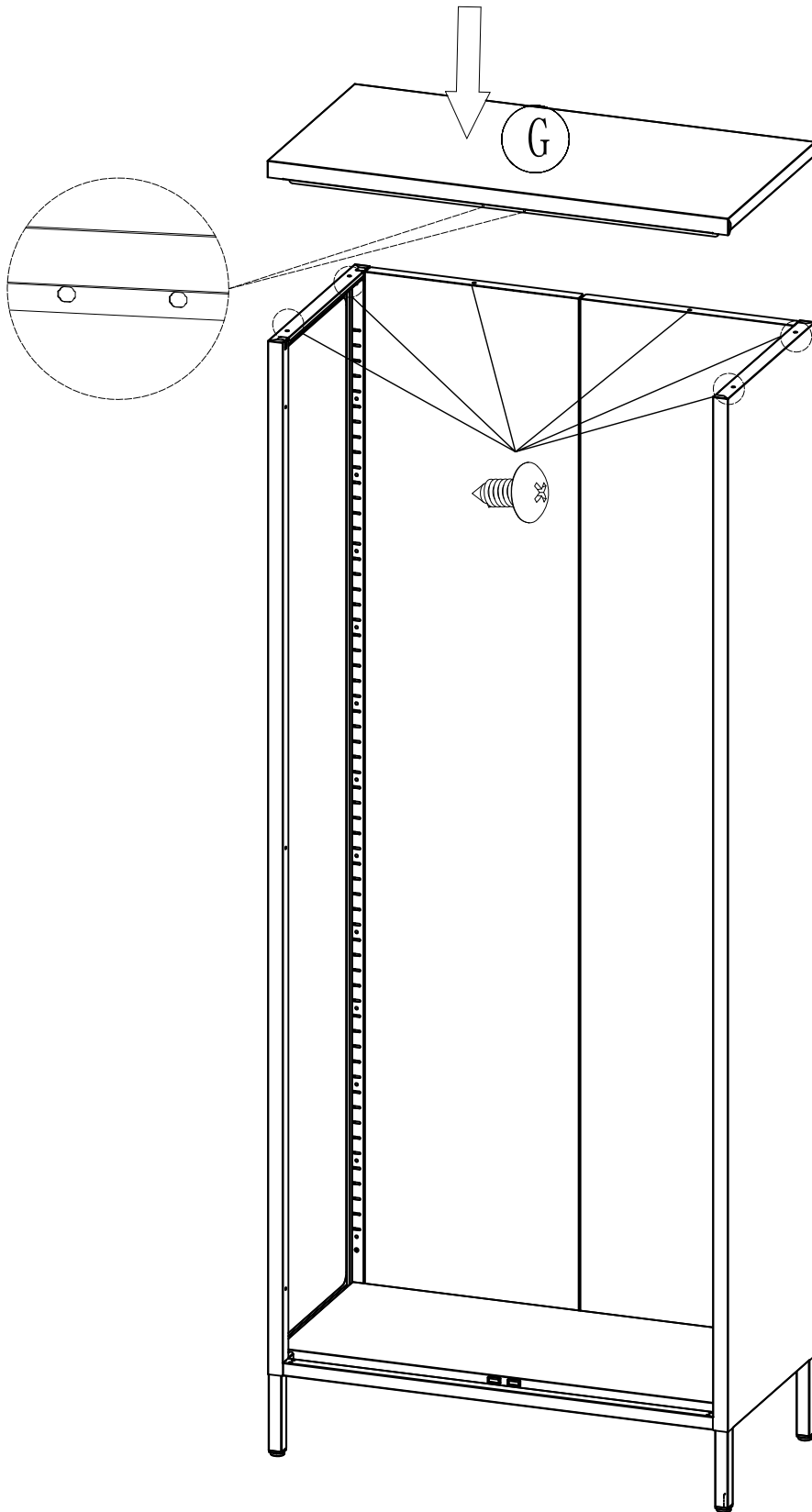


Step 10

Install the top panel G

2

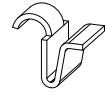
 Screws × 6



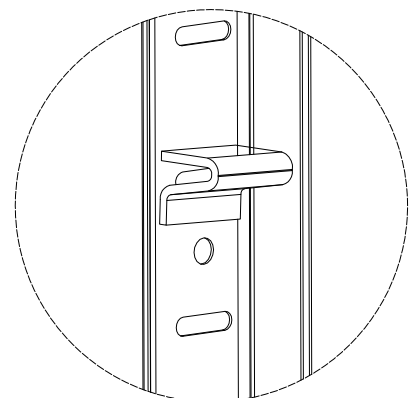
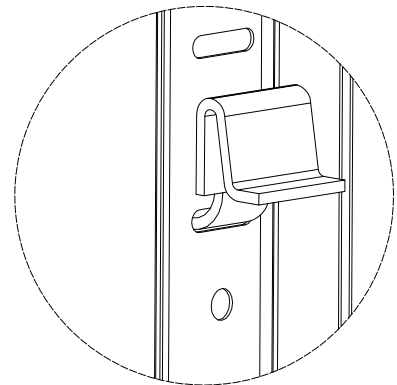
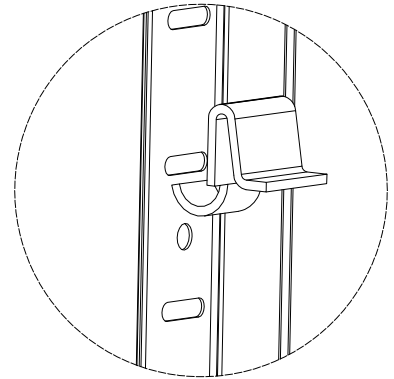
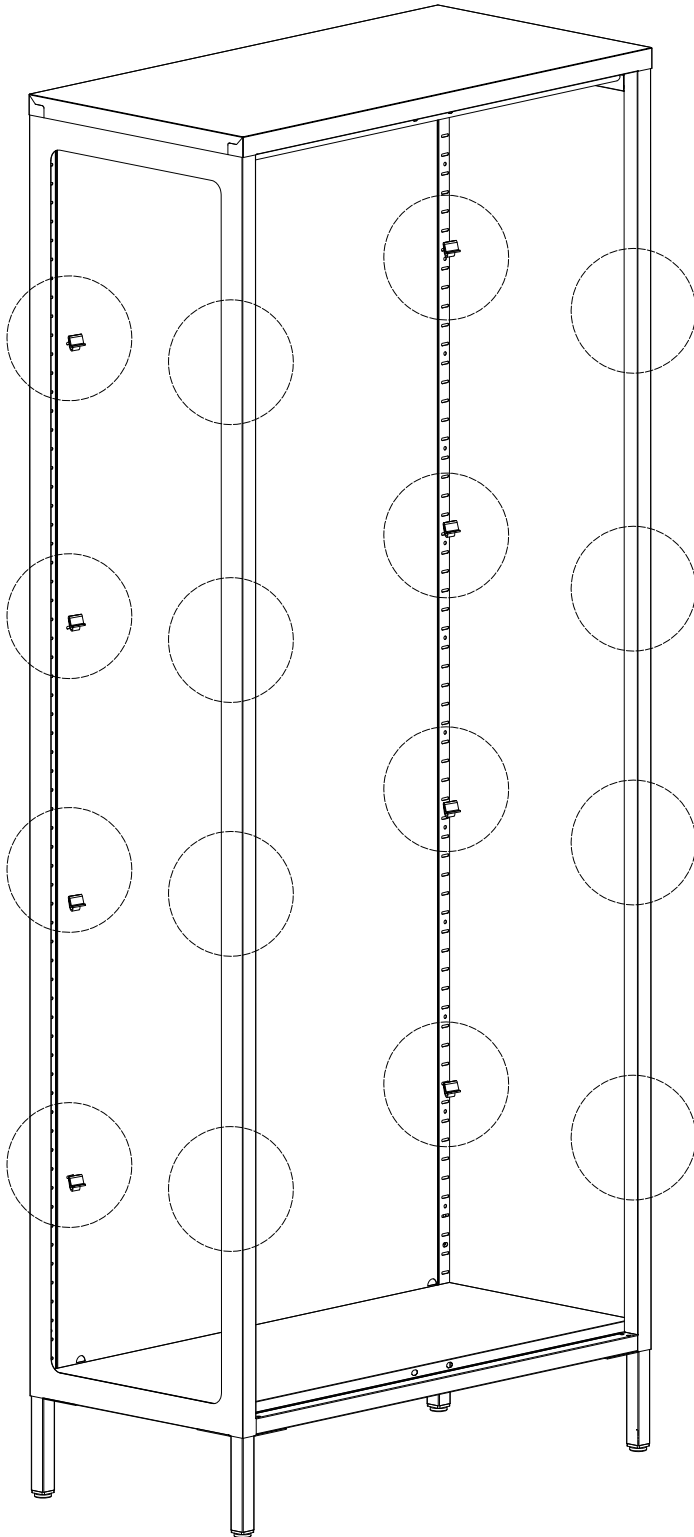
Step 11

Install the partition buckle

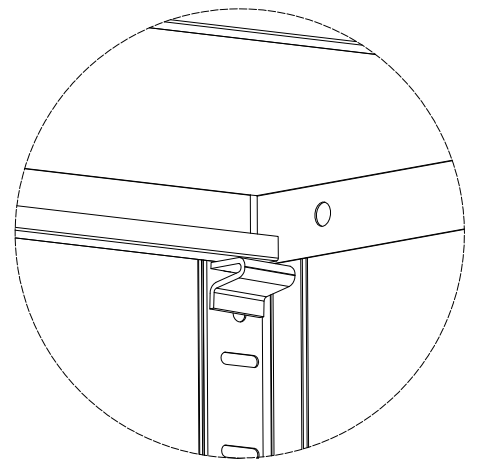
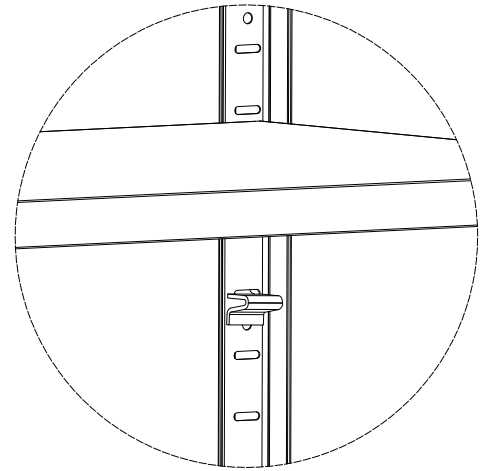
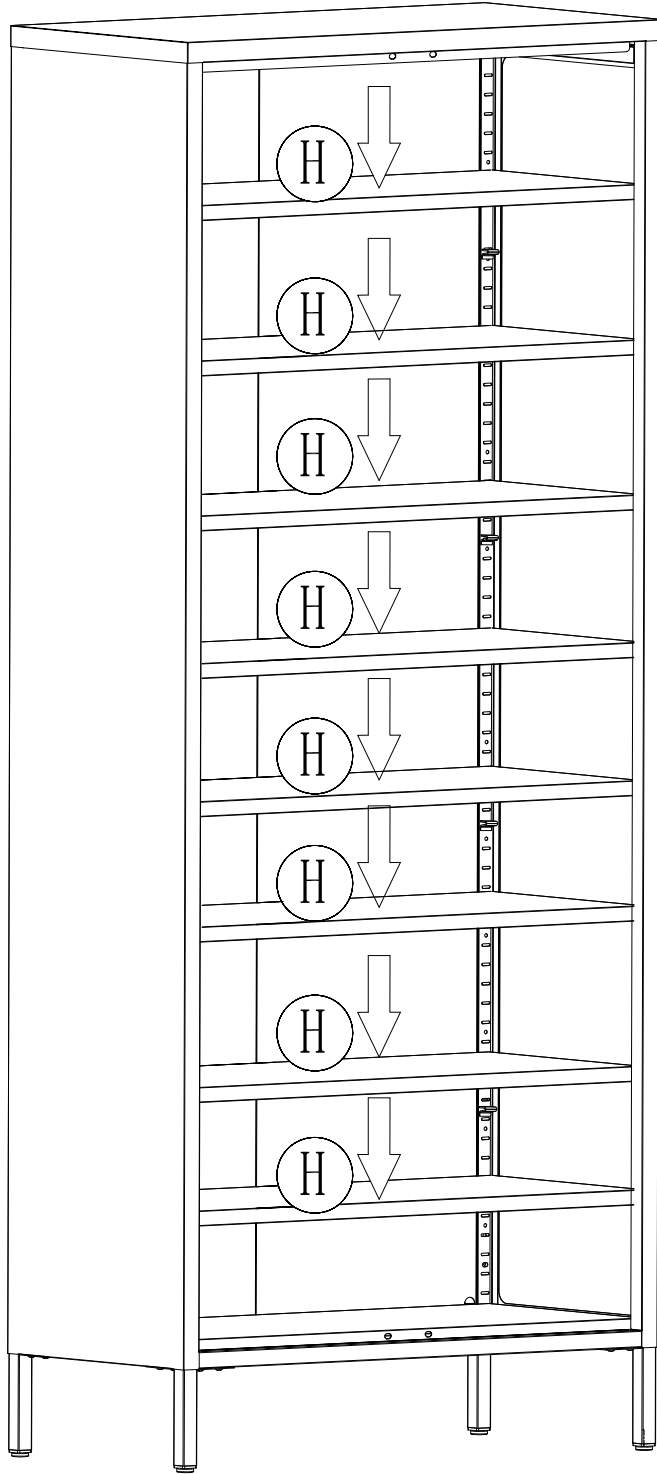
3



Holders × 32



Step 12 Place the shelves above the partition buckle



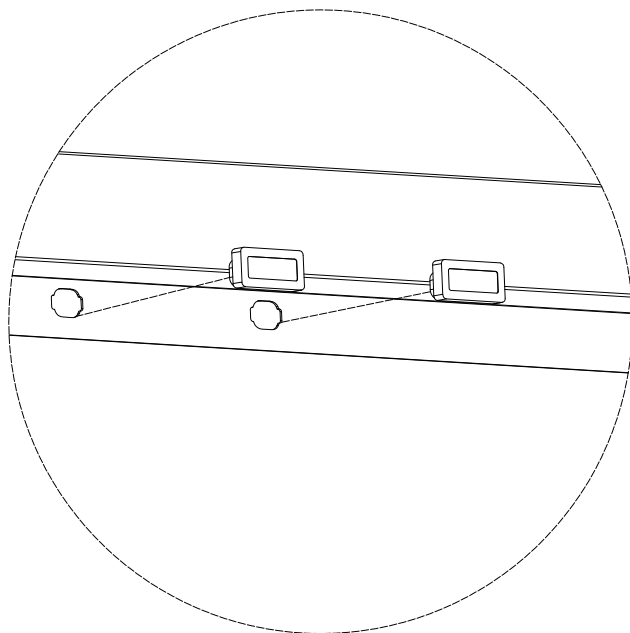
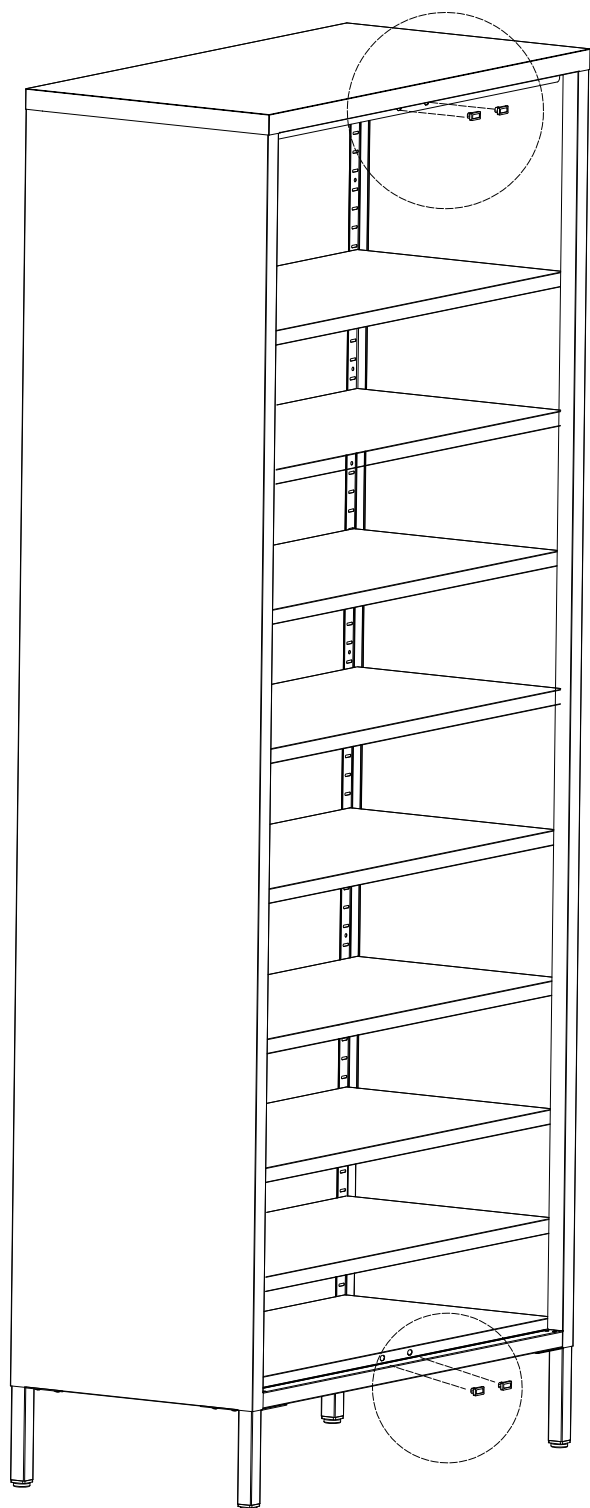
Step 13

Install the magnetic attraction

9




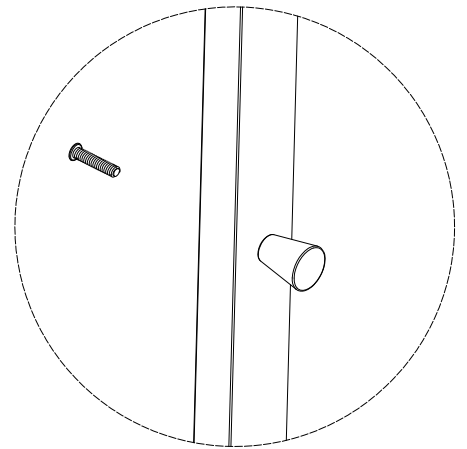
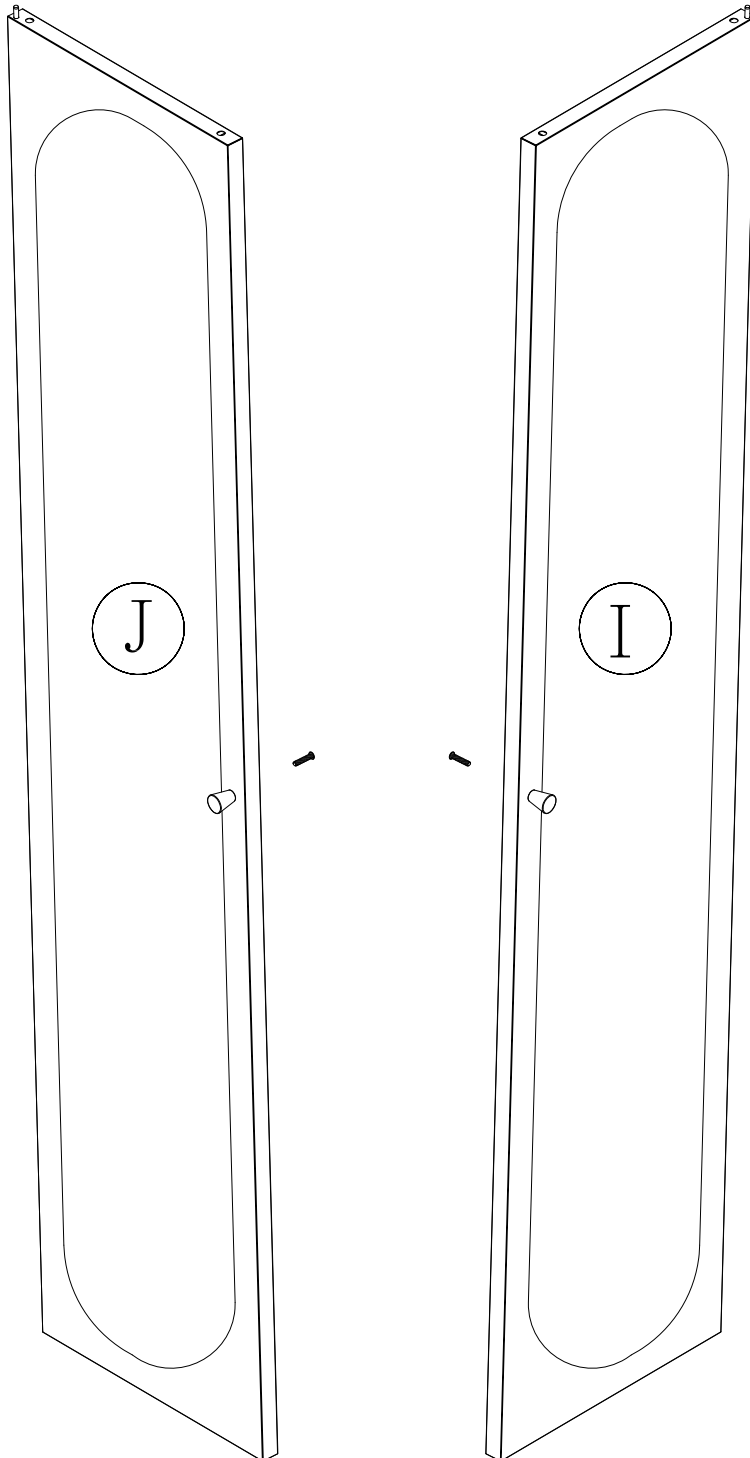
Magnetic attractions×4



Step 14

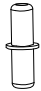

Install the door handles

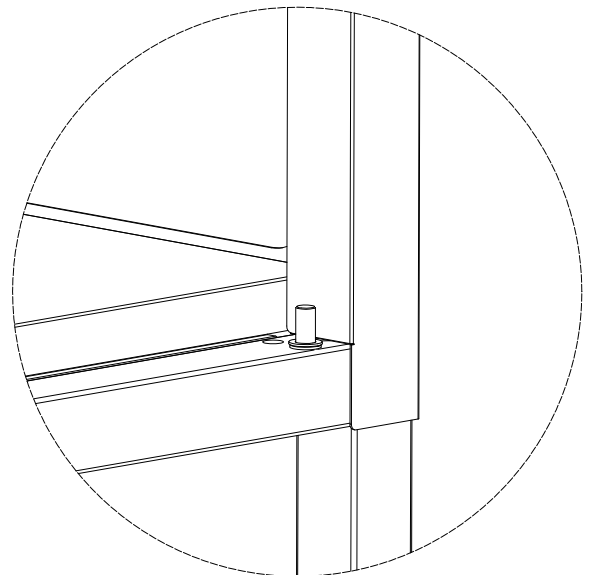
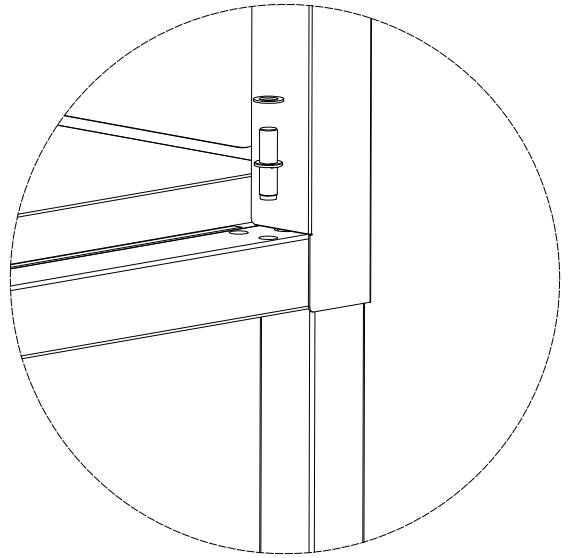
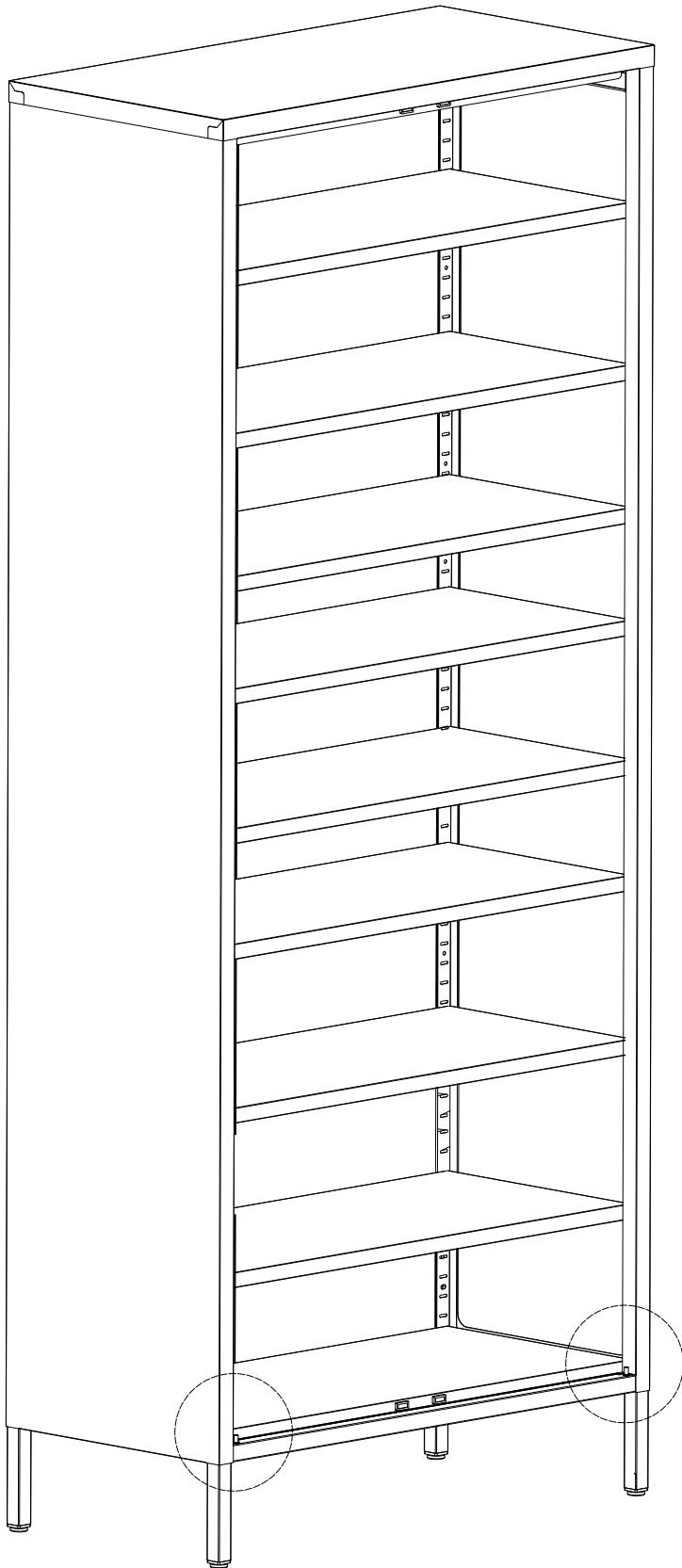
6	 Puller handle, Screws×2
---	--



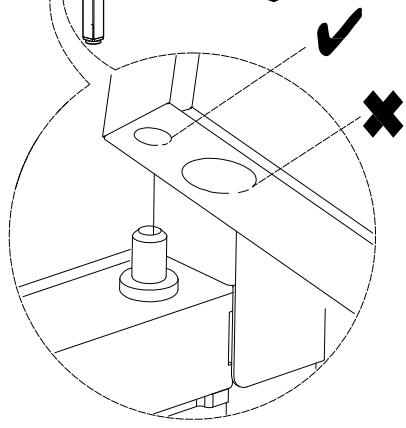
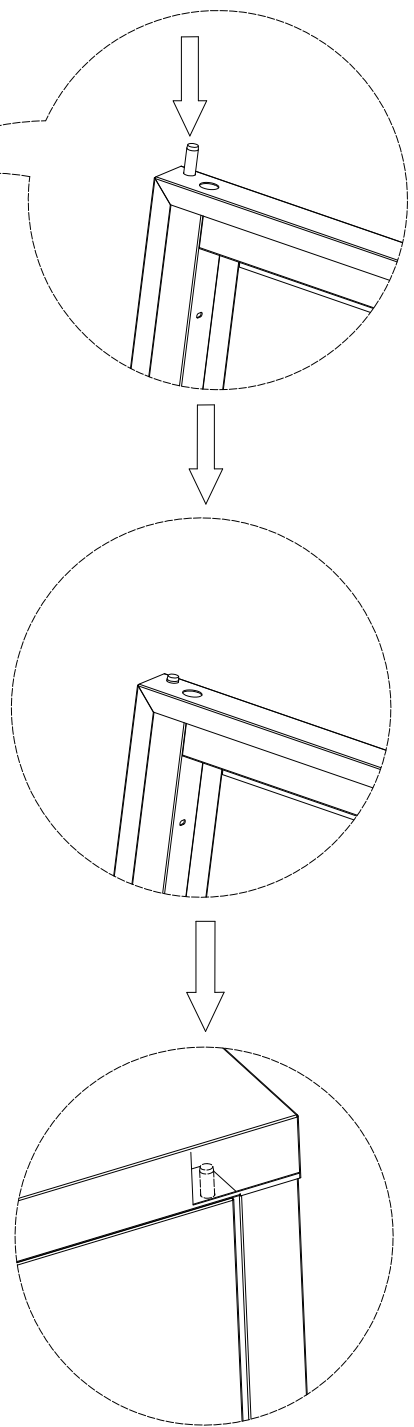
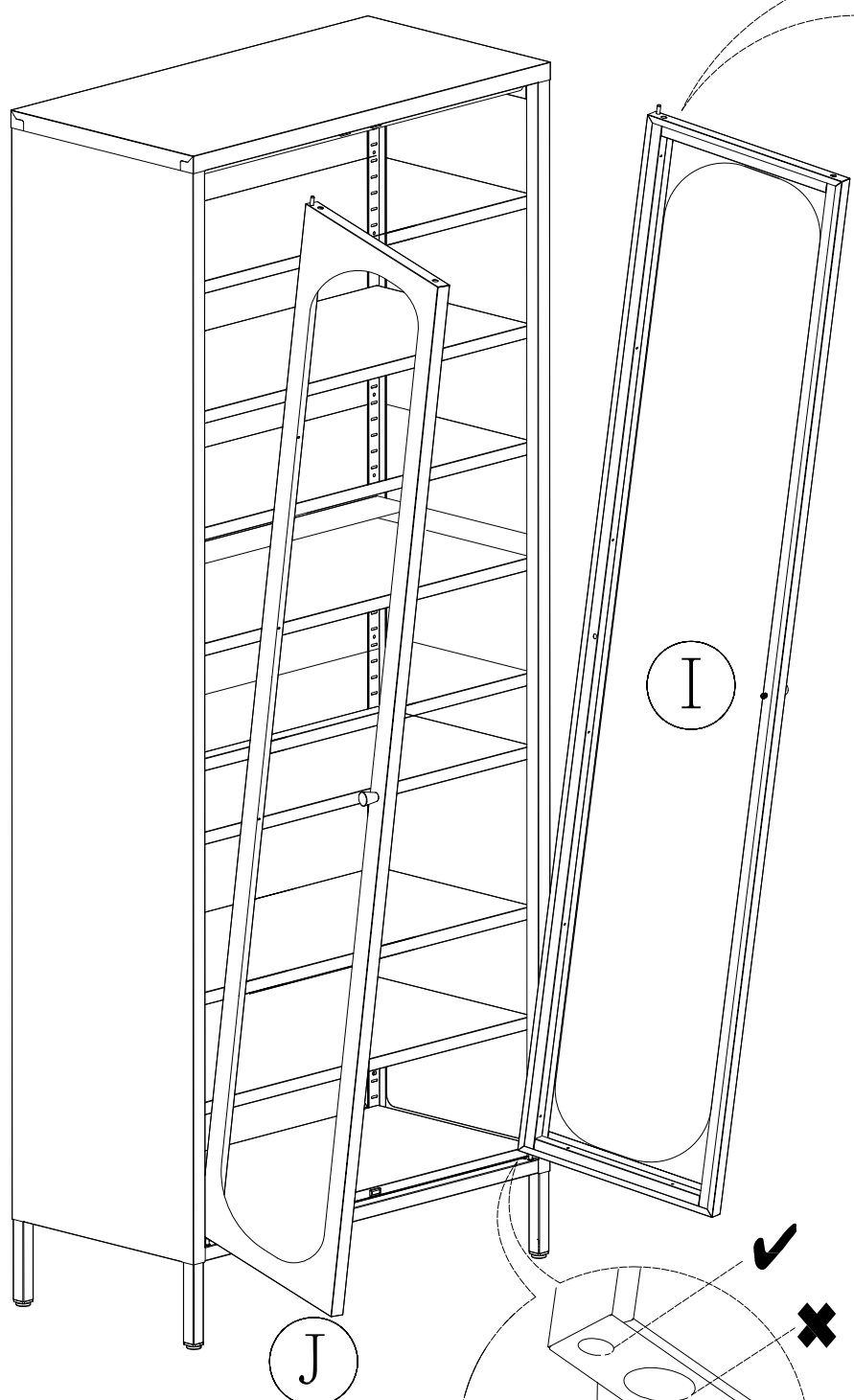
Step 15

Install the bottom door shafts

1	 Bolts × 2
4	 Plastic Rings × 2



Step 16 Install the glass doors

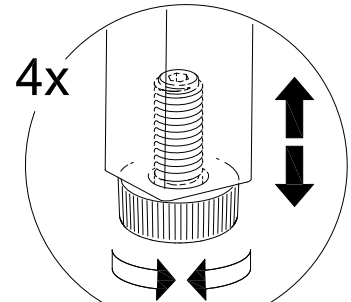
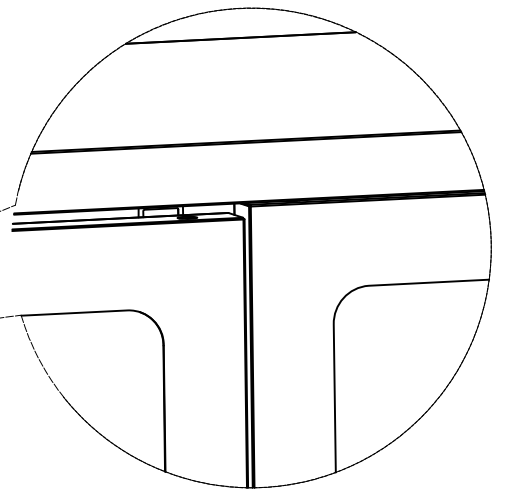
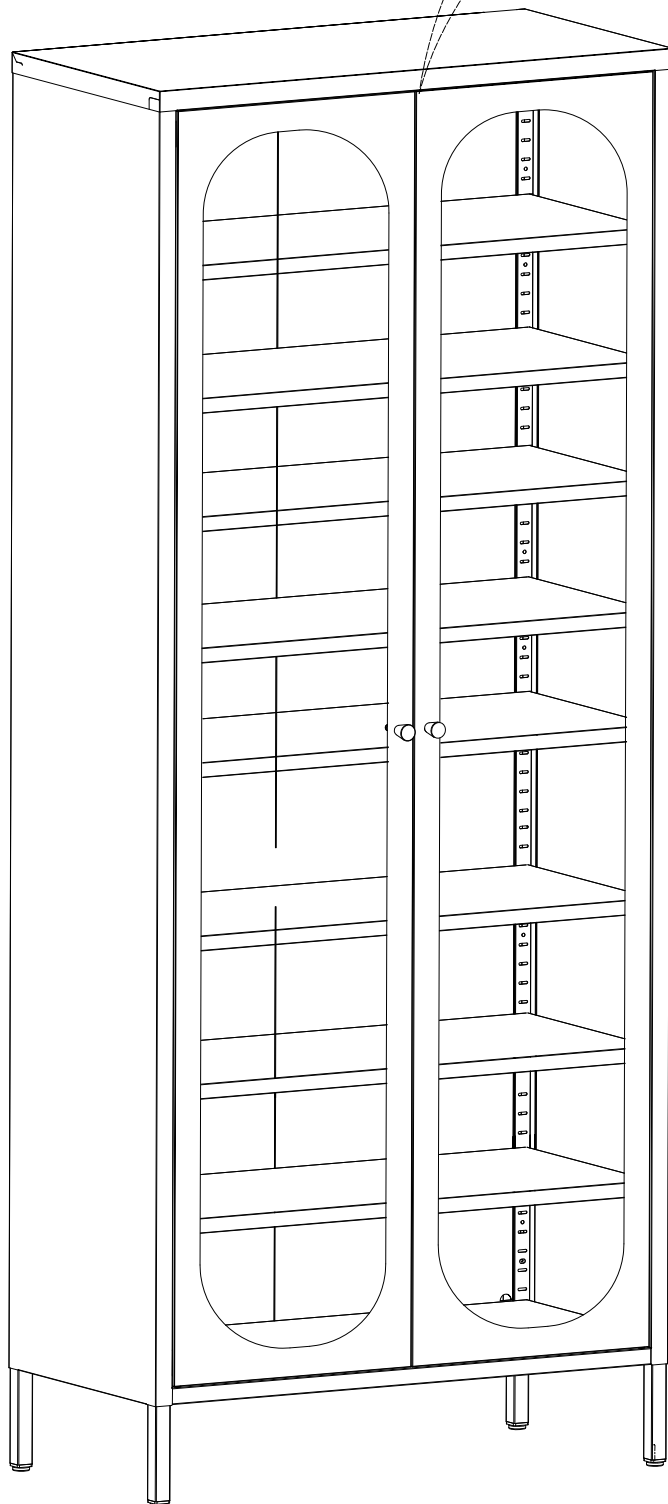


First, let the bolt into the small hole of glass door

Then press the bolt down and pull glass door into cabinet

Step 17

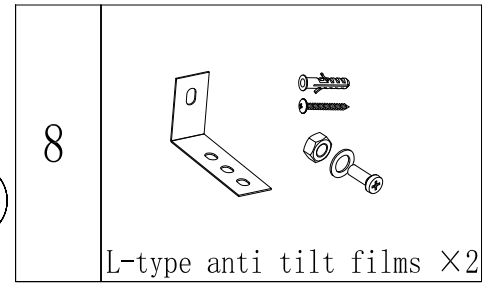
If it appears that the doors are not in line, adjust the adjustable feet



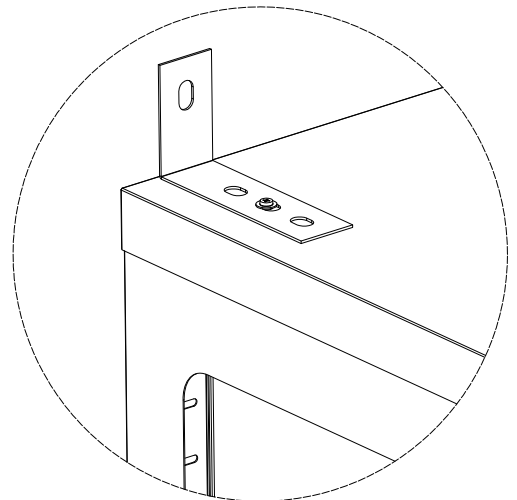
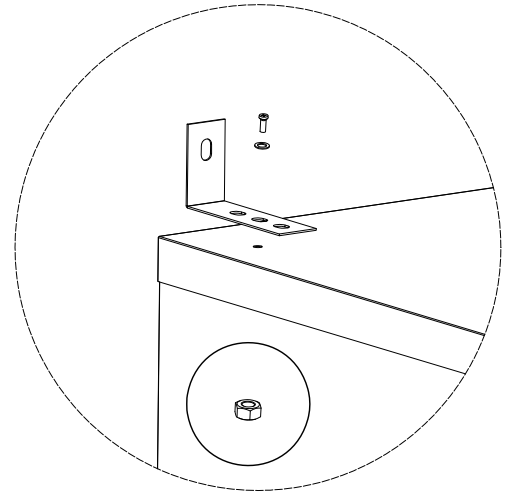
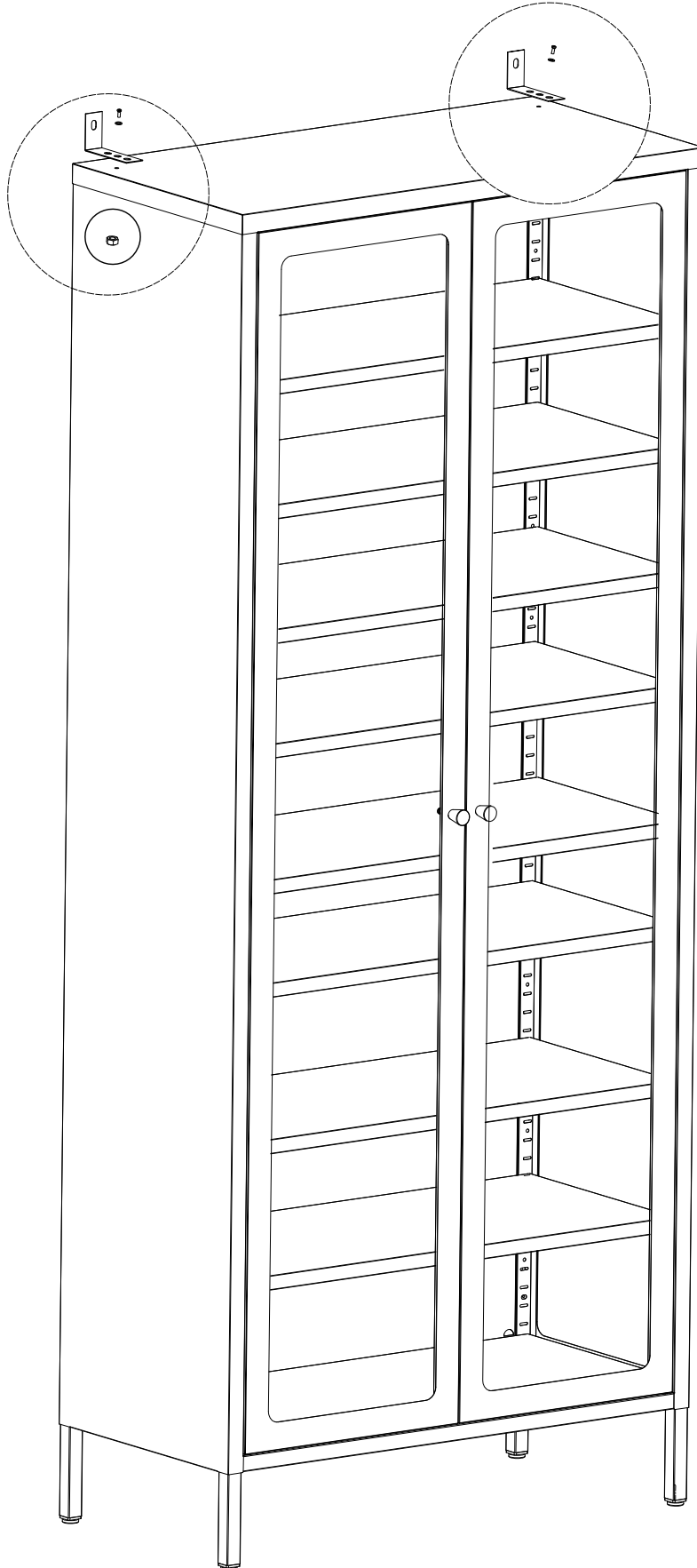
Step 18-1 Install the anti-tipping accessories



Step 18-2 Install the anti-tipping accessories



(H)



Step 19

Install the anti-tipping accessories

