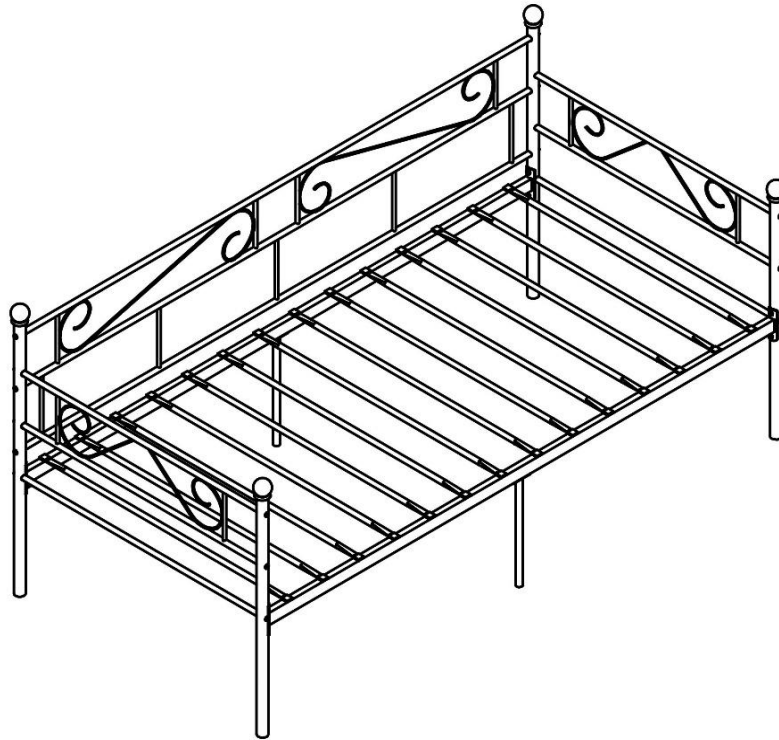







ASSEMBLY INSTRUCTIONS



In the unlikely event parts are missing or damaged in transit.
Please contact the seller on the website your purchase was made.
Our customer service team will assist.
We are able to arrange replacement parts to complete assembly.

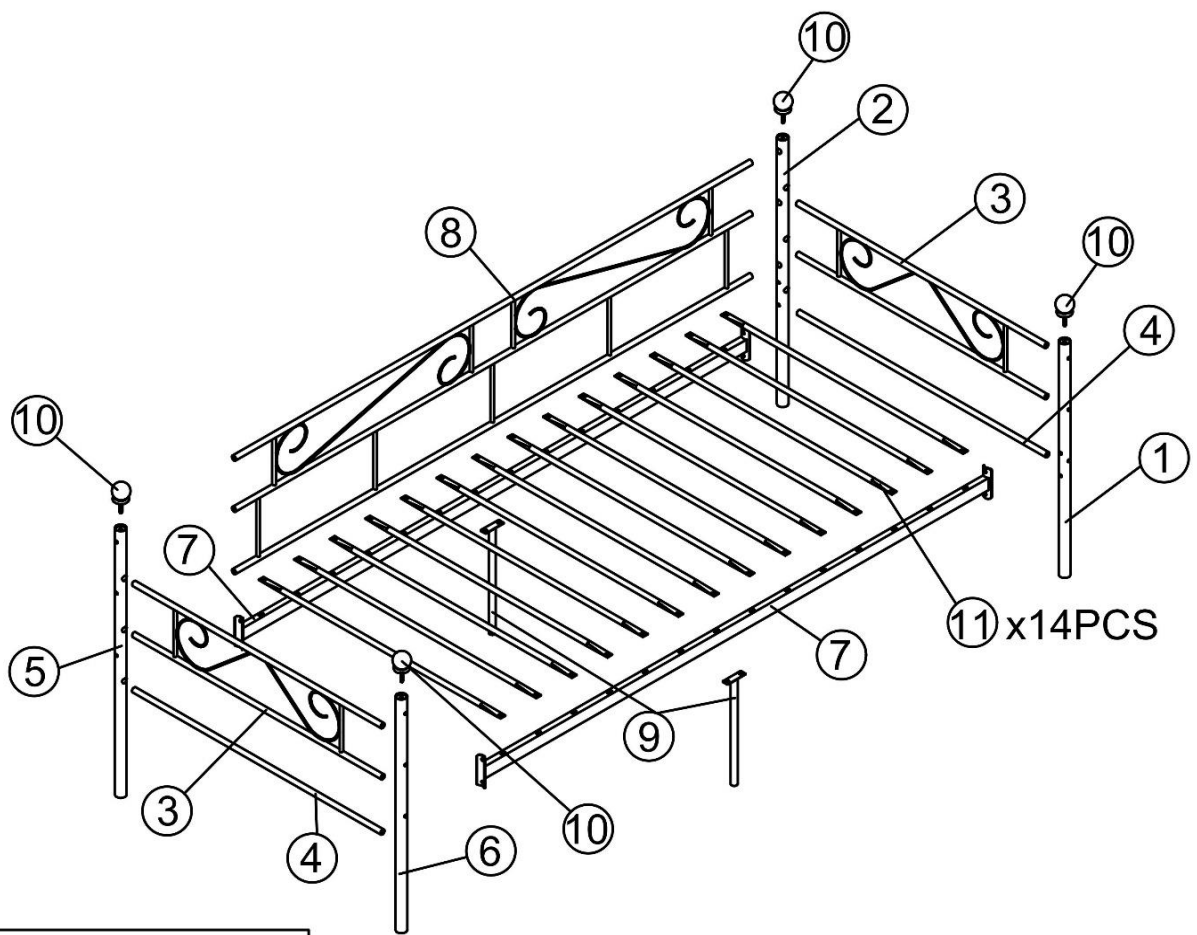
HARDWARE

A	 M6x25mm	18
B	 M8x20mm	8
C	 M6x16mm	4
D		28

E		1
---	---------------------------------------------------------------------------------------	---

CAUTIONS:

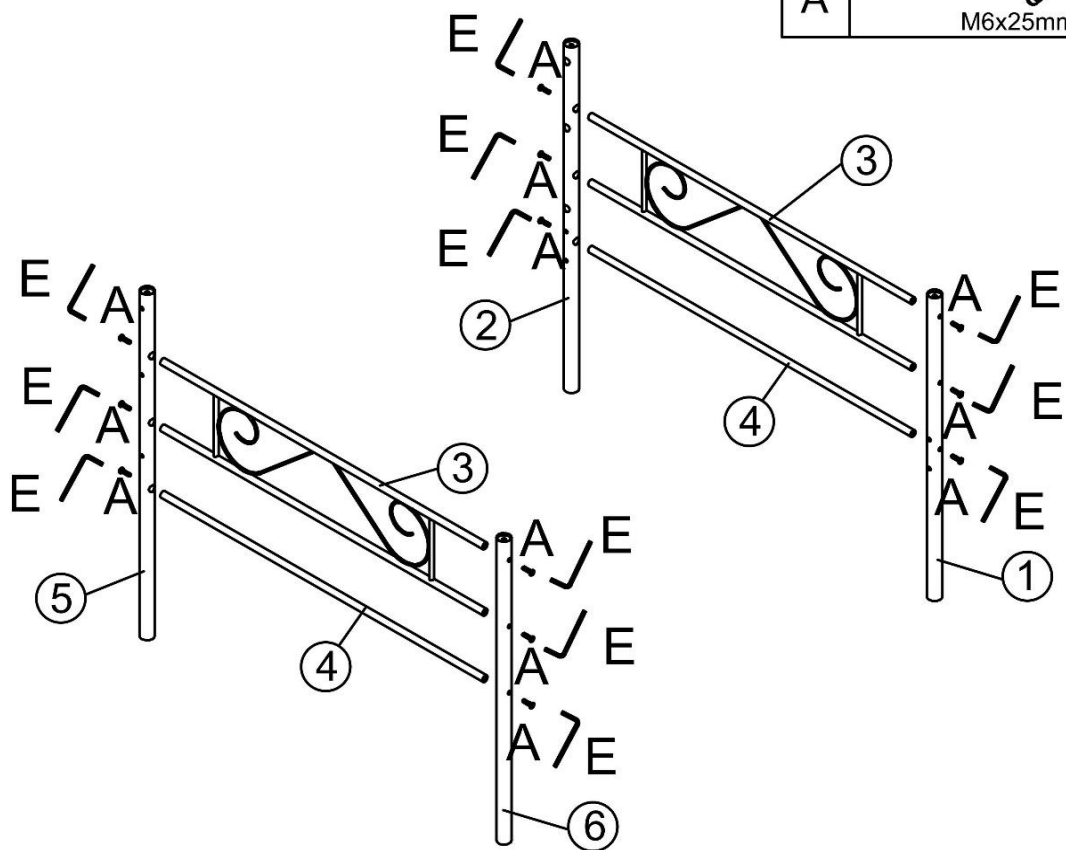
Do Not Overtighten the Metal Finials (10)
Do Not move or Drag the bedframe by
pushing or pulling on the Metal Finials (10)
as this will cause the connection mechanisms
to break. To move, Remove the mattress and
Lift the bedframe by two persons.



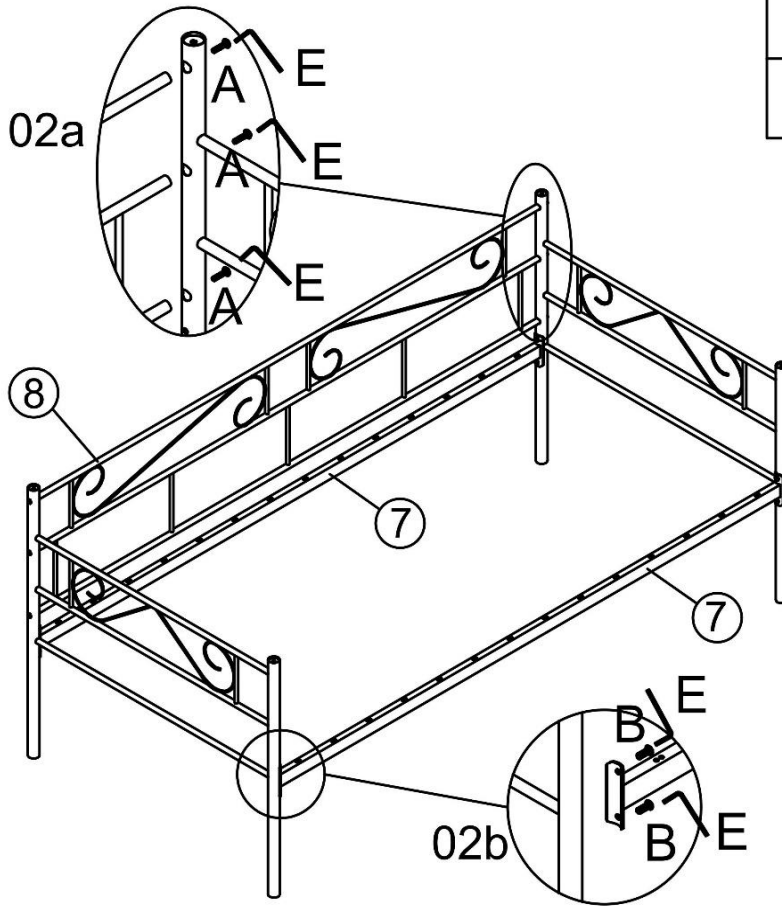
COMPONENTS


01

A	 M6x25mm	12
---	--------------------------------------------------------------------------------------------------	----

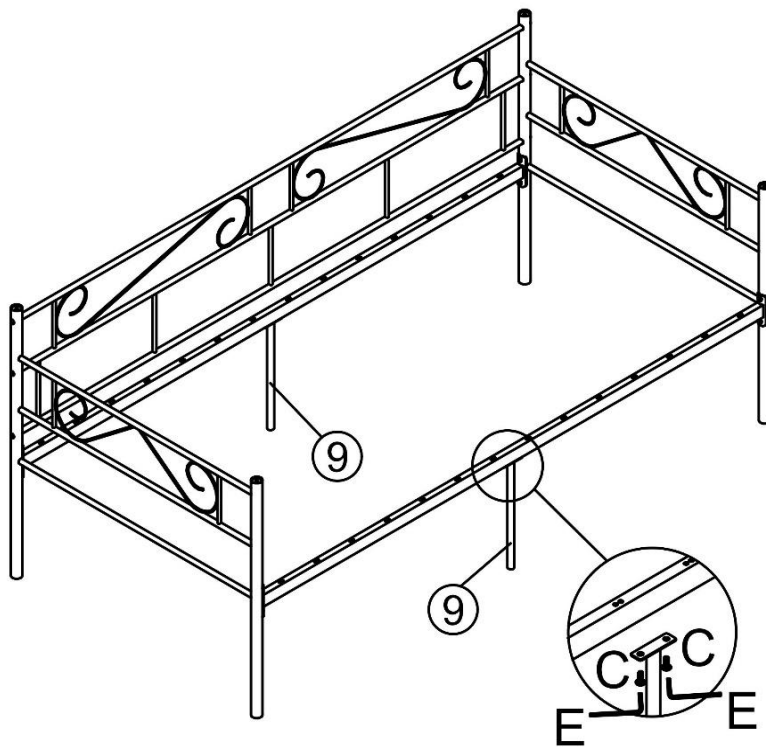


02



A	 M6x25mm	6
B	 M8x20mm	8


03



C	 M6x16mm	4
---	--------------------------------------------------------------------------------------------------	---

04

Do Not Overtighten
The Metal Finial (10)

D		28
---	-------------------------------------------------------------------------------------	----

