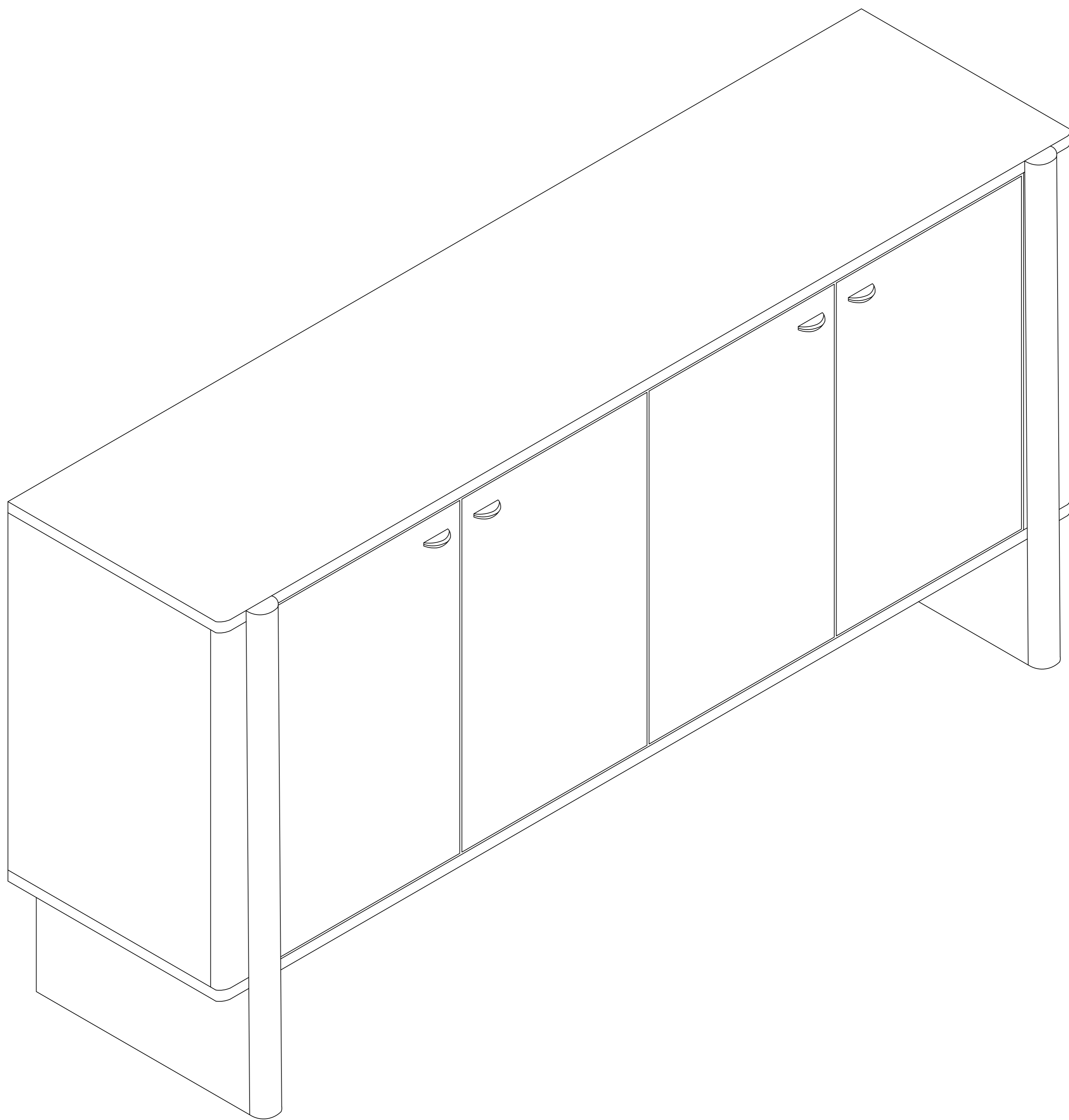
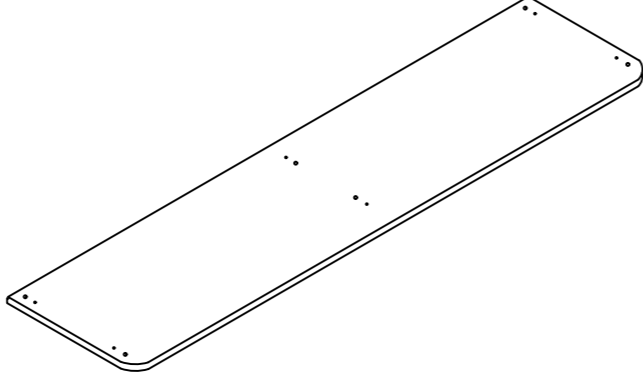
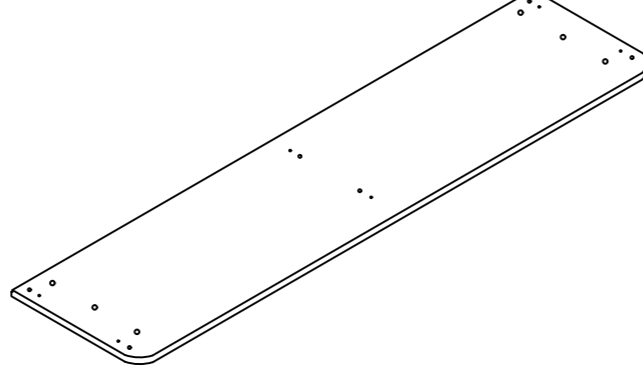
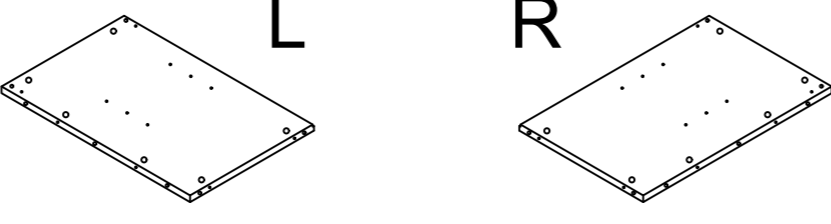
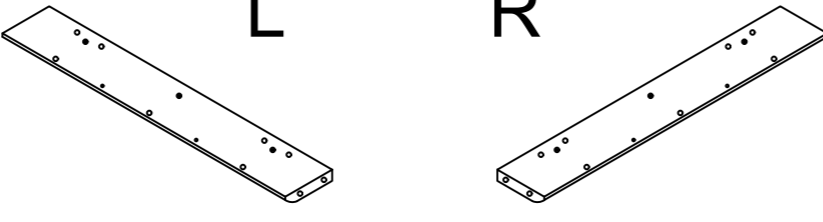
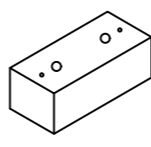
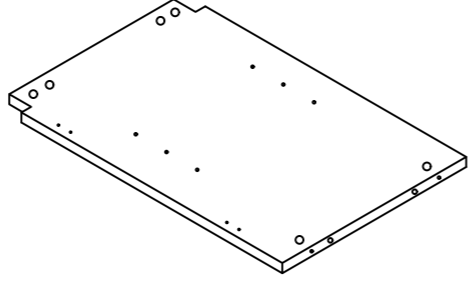
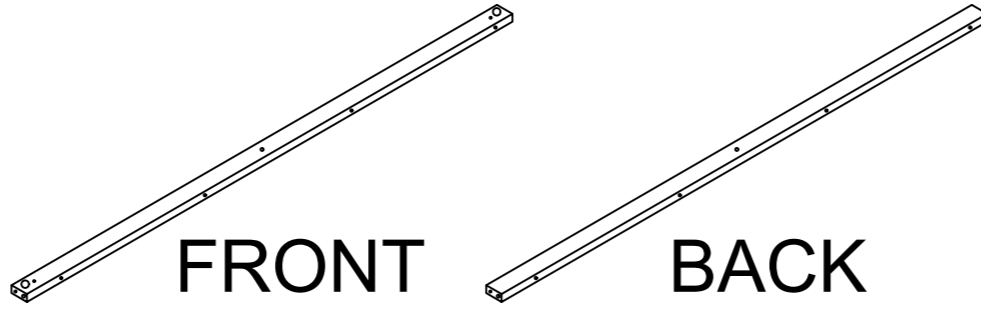
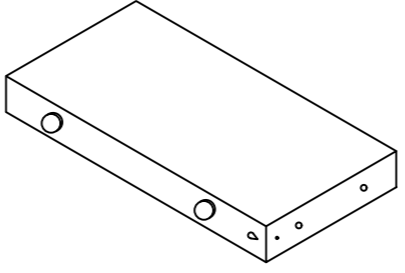
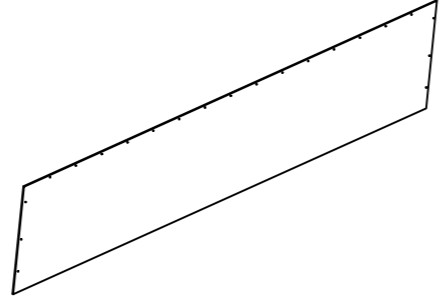
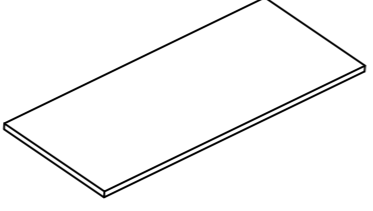
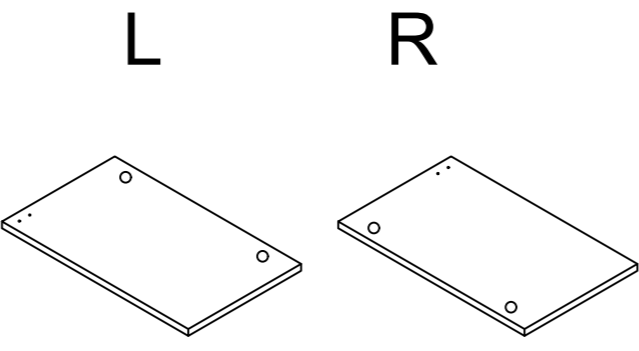


ASSEMBLY INSTRUCTION

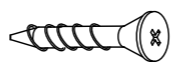
SIDEBOARD
WED01196CB



Component List

LABEL		DESCRIPTION	QTY
1		TOP PANEL	1PC
2		BOTTOM PANEL	1PC
3		SIDE PANEL (L&R)	2PCS
4		POST	2PCS
5		ROUNDED PILLAR	2PCS
6		HINGES SUPPORT BLOCK	4PCS
7		CENTER PANEL	1PC
8		SUPPORT RAIL	2PCS
9		LEG	2PCS
10		BACK PANEL	2PCS
11		SHELF	2PCS
12		DOOR (L&R)	4PCS

Hardware List

LABEL		DESCRIPTION	QTY
A		WOOD DOWEL M8 X 30MM	42PCS
B	B1  B2 	CAM BOLT CAM LOCK	22SETS
C		METAL SHELF SUPPORT	8PCS
D		CSK SCREW M4 X 32MM	28PCS
E		JCBC M6 X 40MM	6PCS
F		ALLEN KEY M4	1PC
G		CSK SCREW M3 X 12MM	46PCS
H		H CONNECTOR 1558MM	1PC
I		SOFT CLOSE HINGES 2/8"	8PCS
J		CSK SCREW M3.5 X 16MM	48PCS
K	K1  K2 	HANDLE WITH SCREW 18MM	4SETS
L		ANTI TIPPING KIT	1SET

"FOR CSK SCREWS, YOU CAN USE A **SCREWDRIVER**



OR AN **ELECTRIC DRILL**

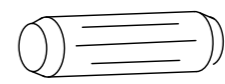
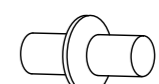


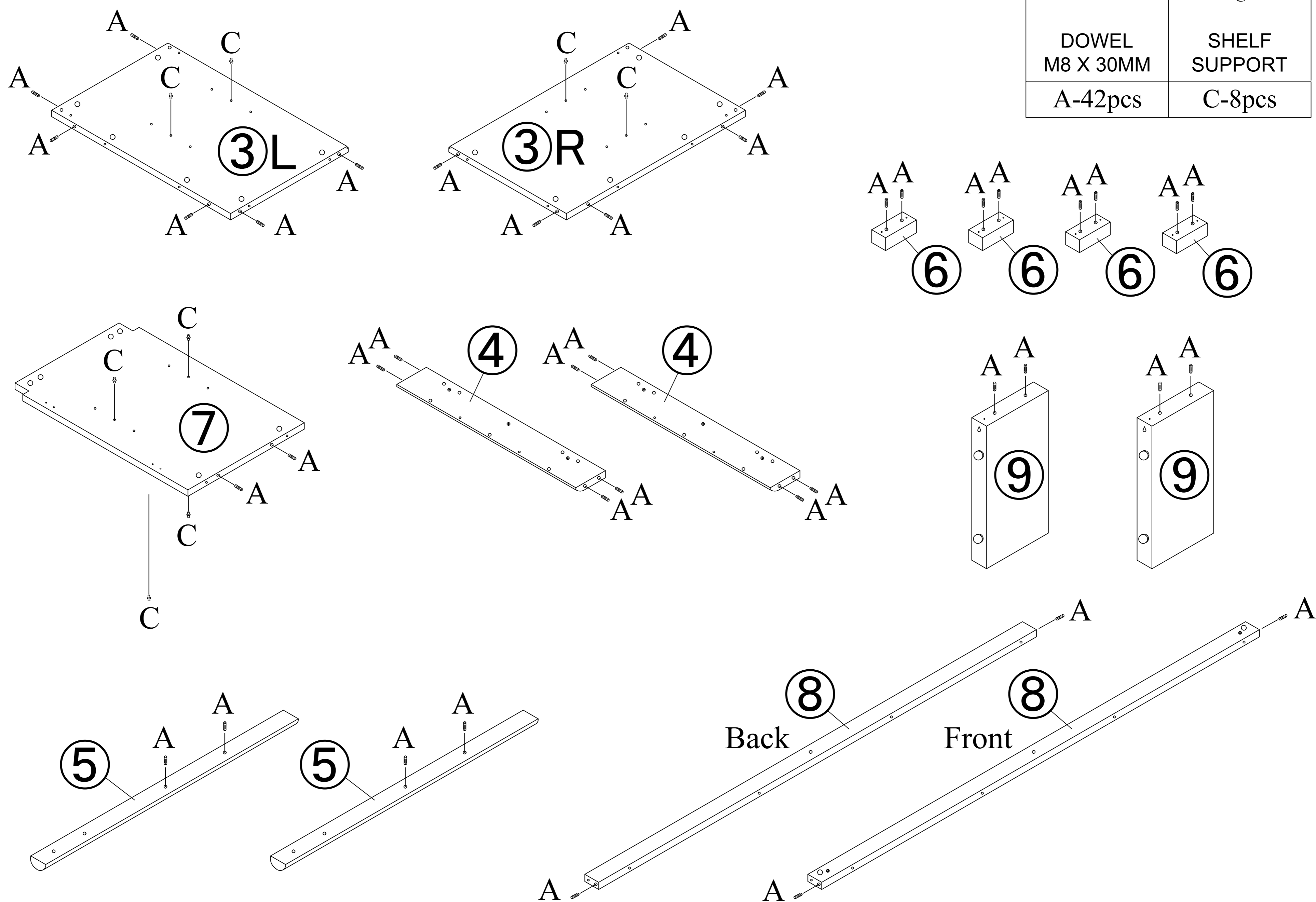
TO

SCREW THEM IN —


PLEASE PREPARE THIS YOURSELF."

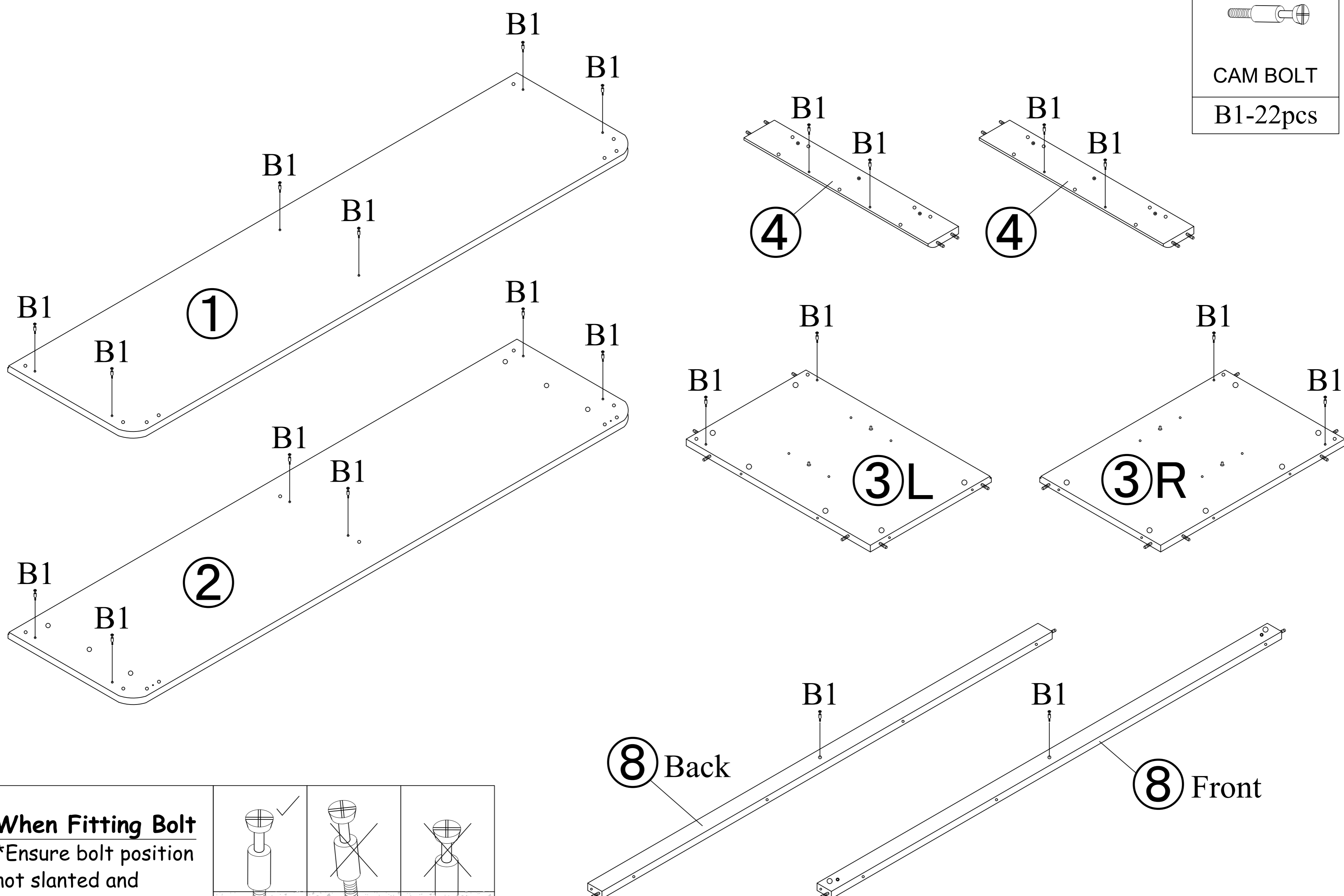
STEP - 1

	
DOWEL M8 X 30MM	SHELF SUPPORT
A-42pcs	C-8pcs

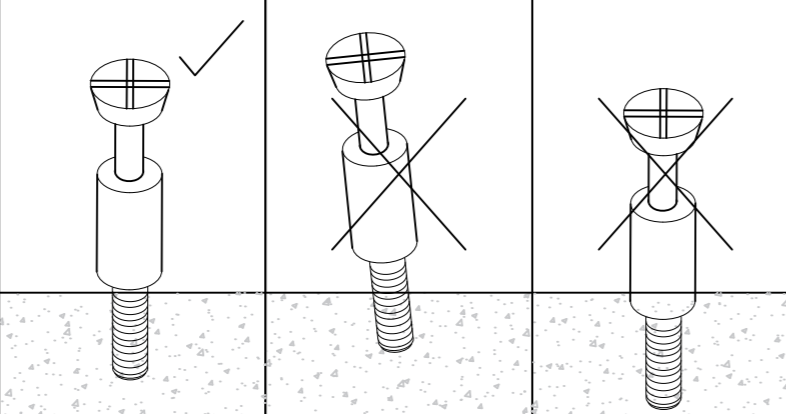


STEP - 2



CAM BOLT
B1-22pcs

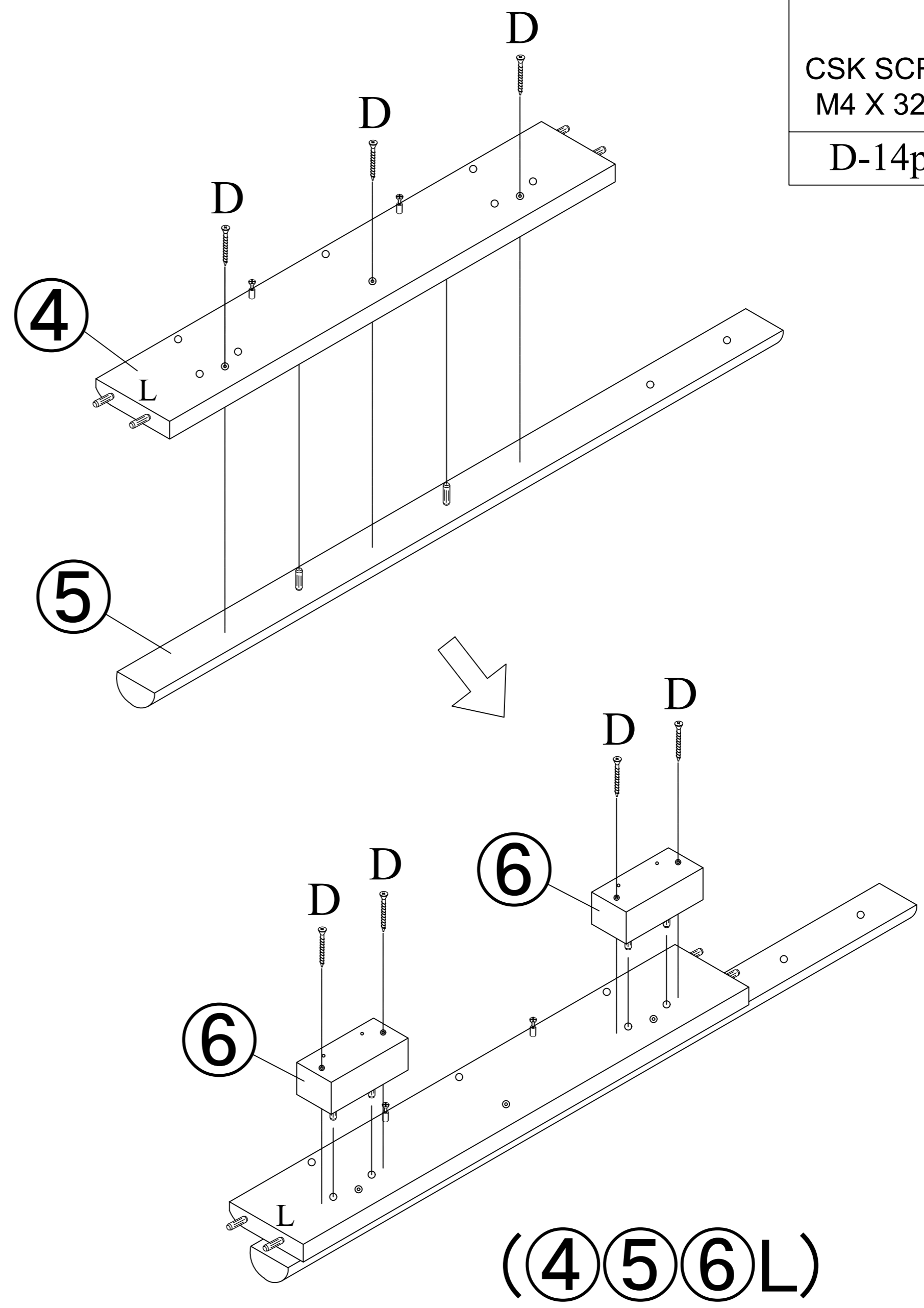
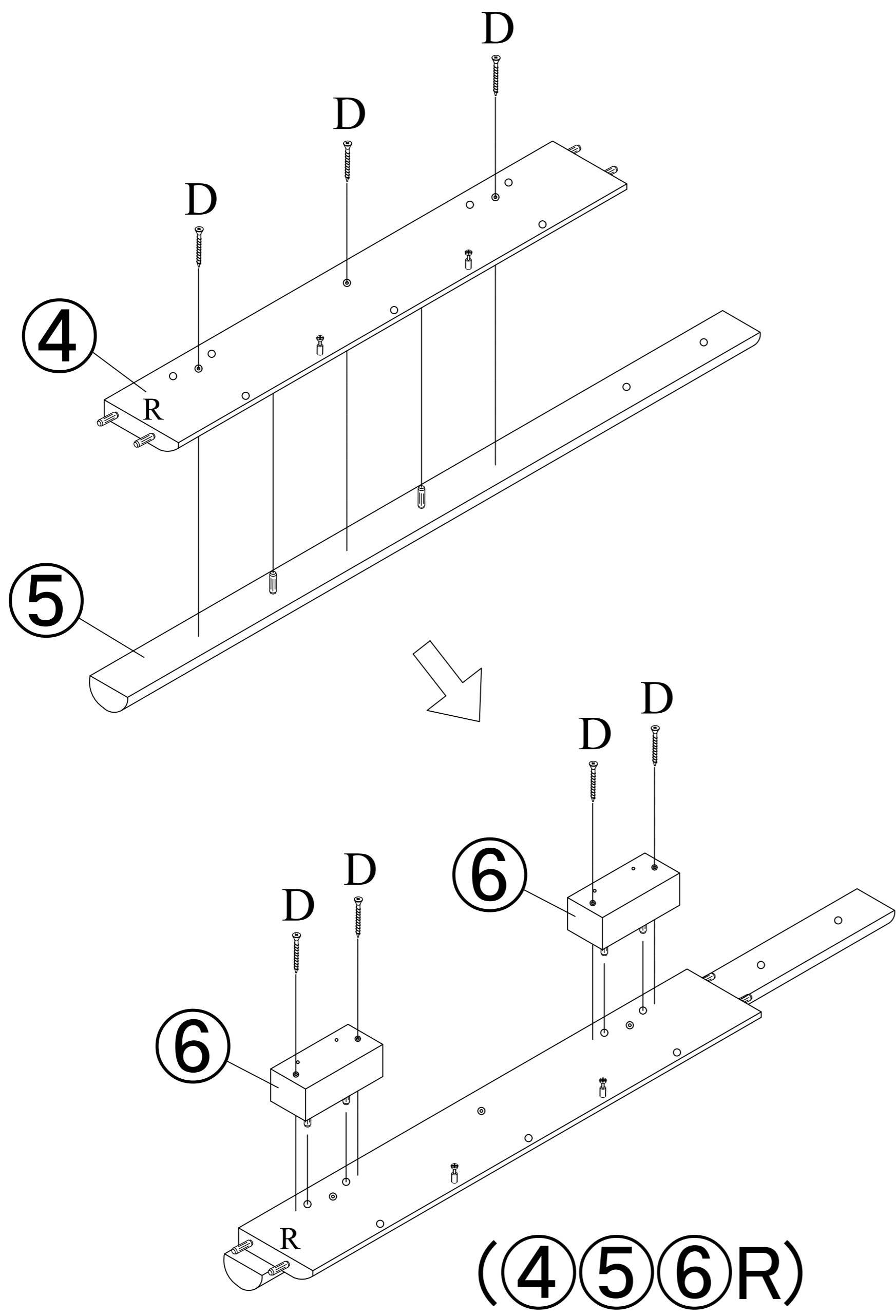


When Fitting Bolt
 *Ensure bolt position not slanted and over-tightened

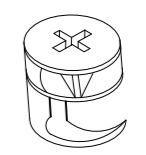


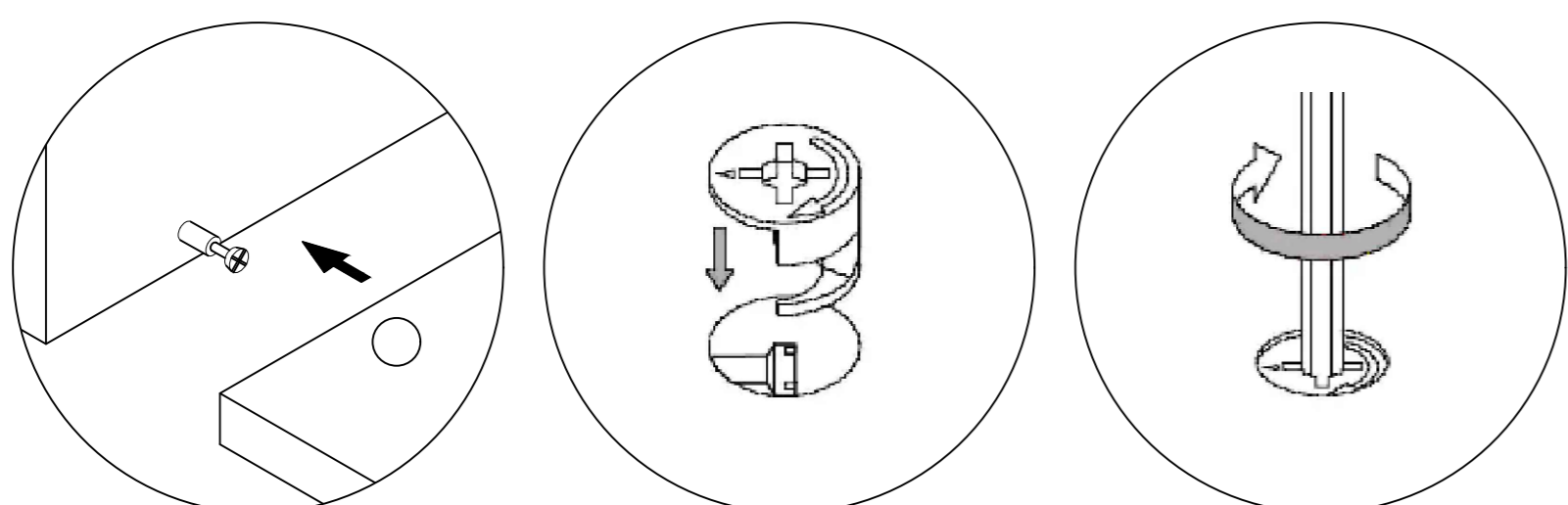
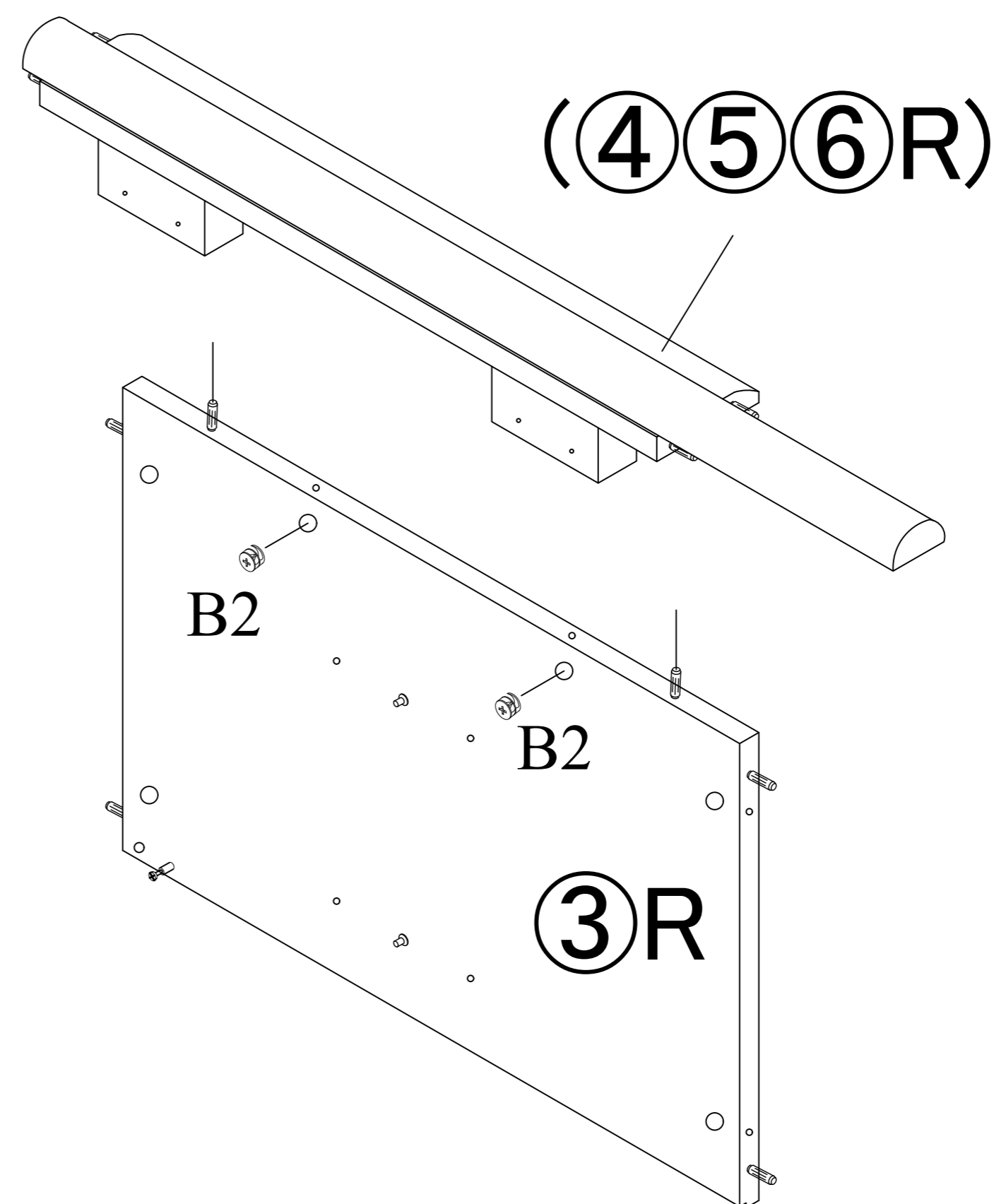
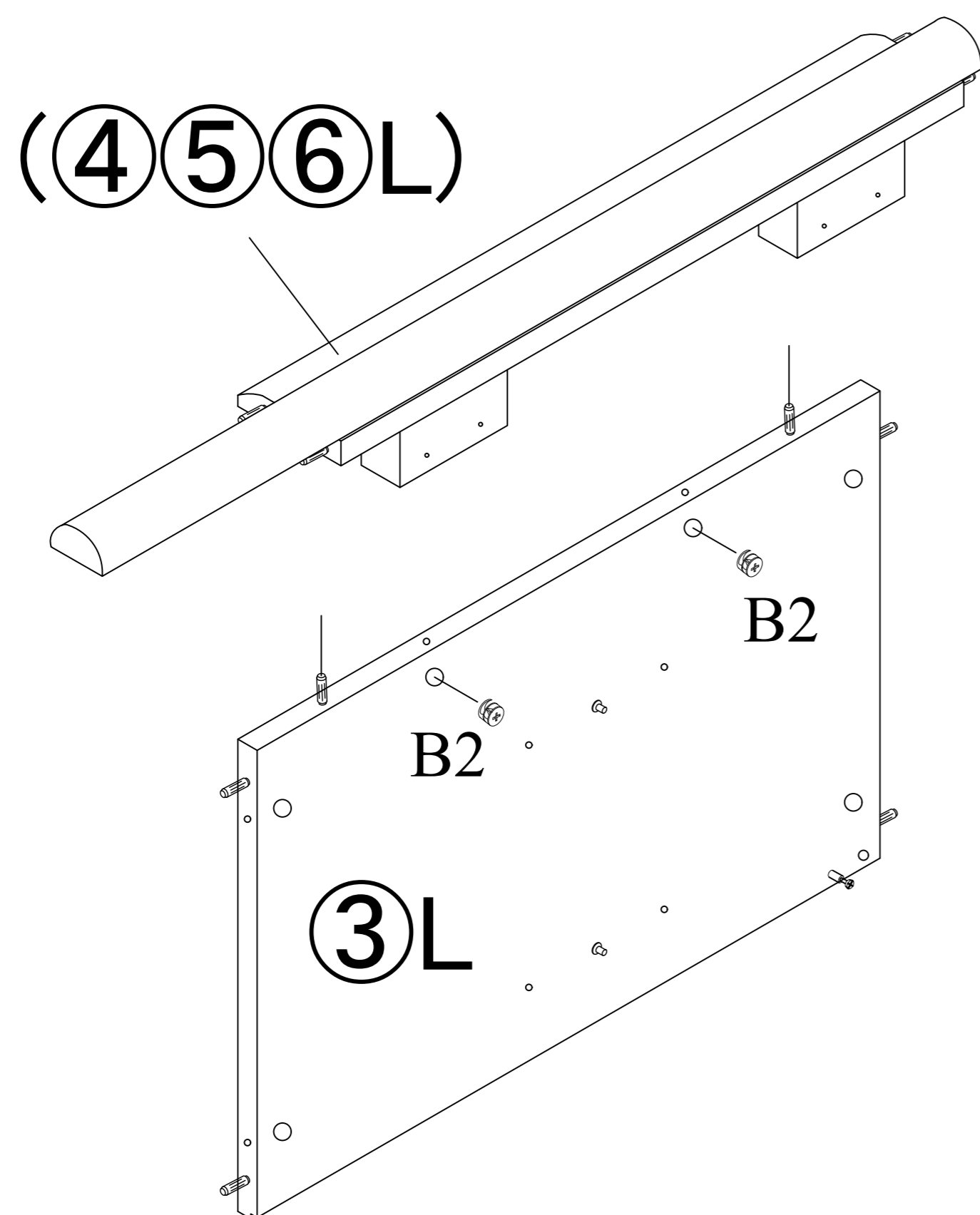
STEP - 3


 CSK SCREW
 M4 X 32MM
 D-14pcs

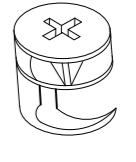


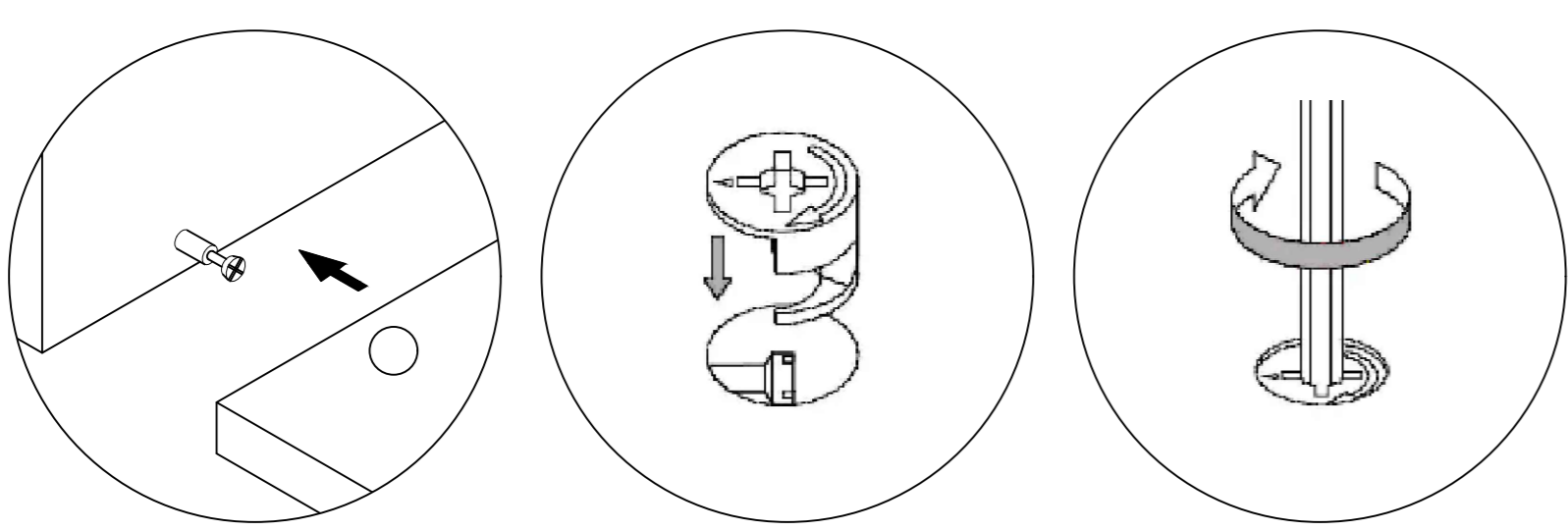
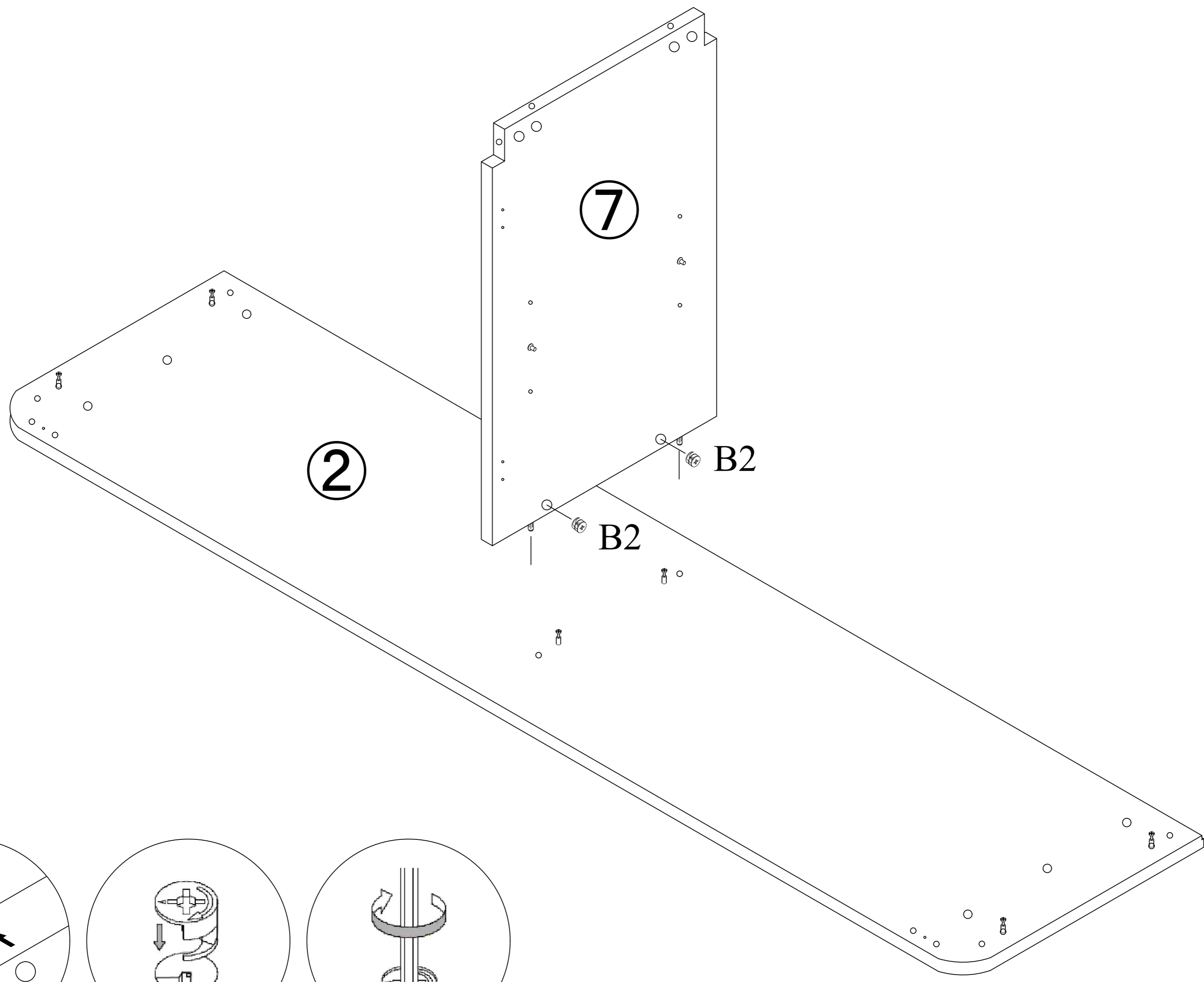
STEP - 4


 CAM LOCK
 B2-4pcs

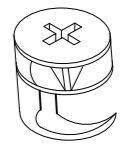


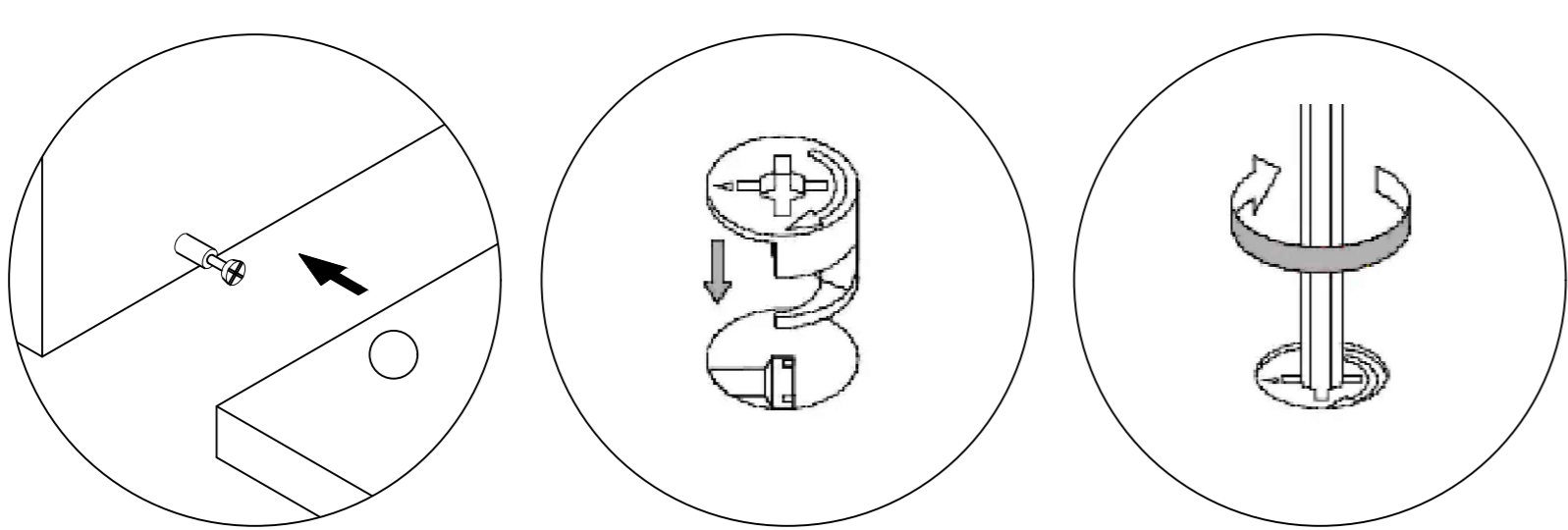
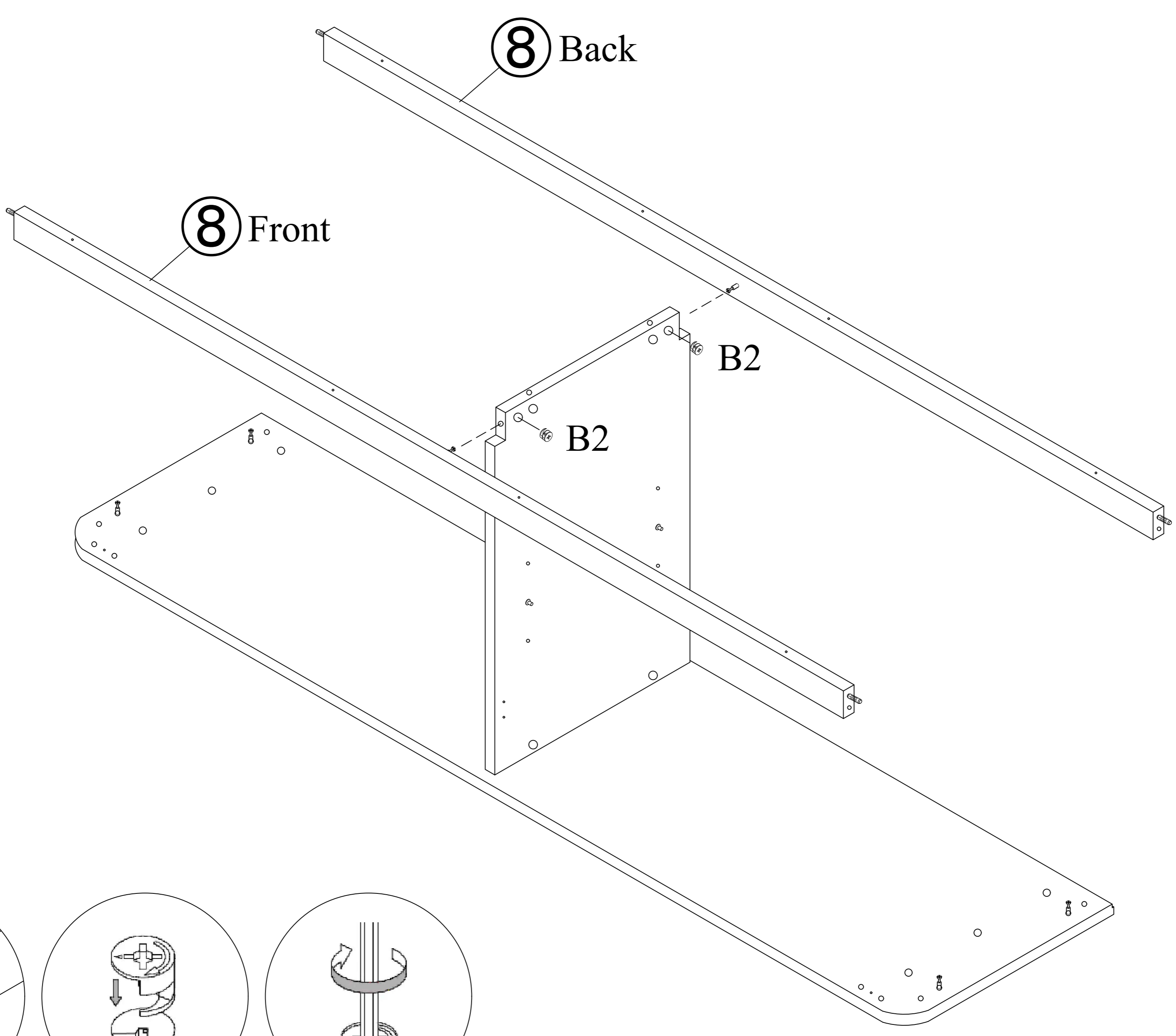
STEP - 5


CAM LOCK
B2-2pcs

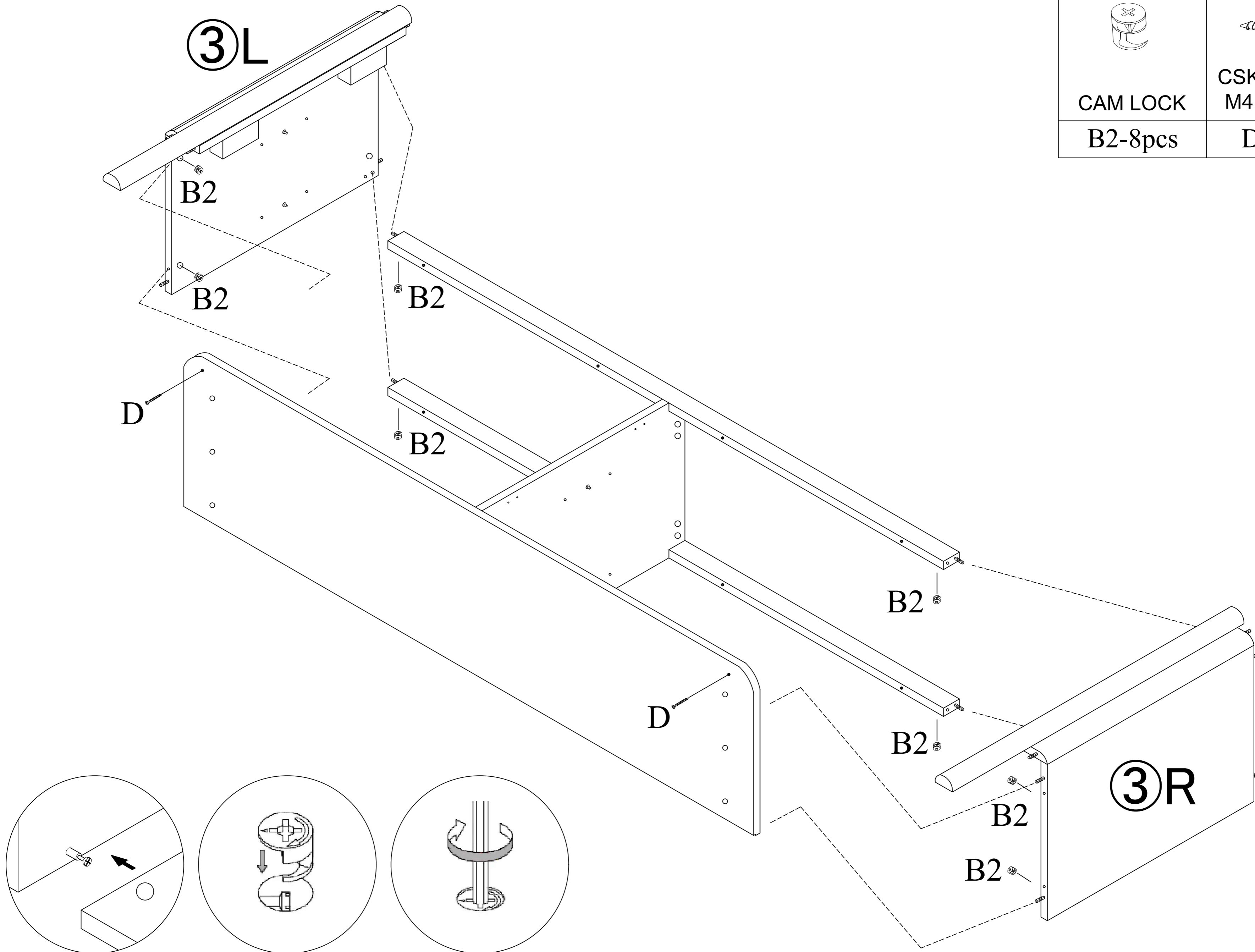


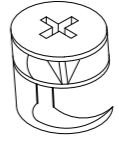
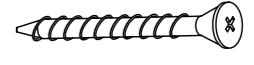
STEP - 6


CAM LOCK
B2-2pcs

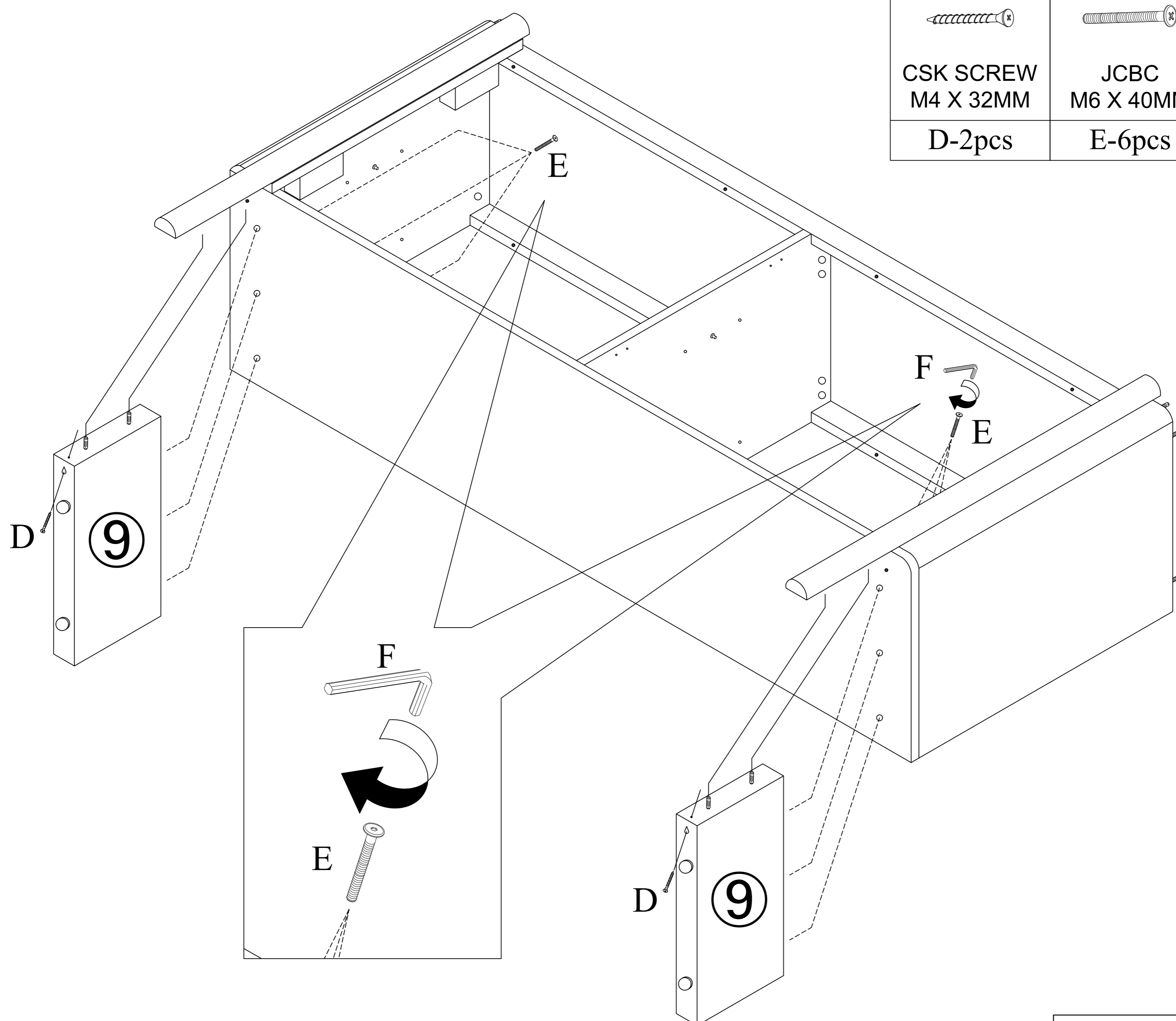


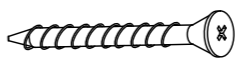
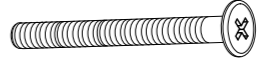
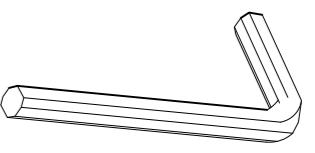
STEP - 7



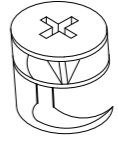
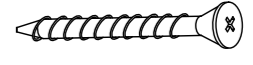
	
CAM LOCK	CSK SCREW M4 X 32MM
B2-8pcs	D-2pcs

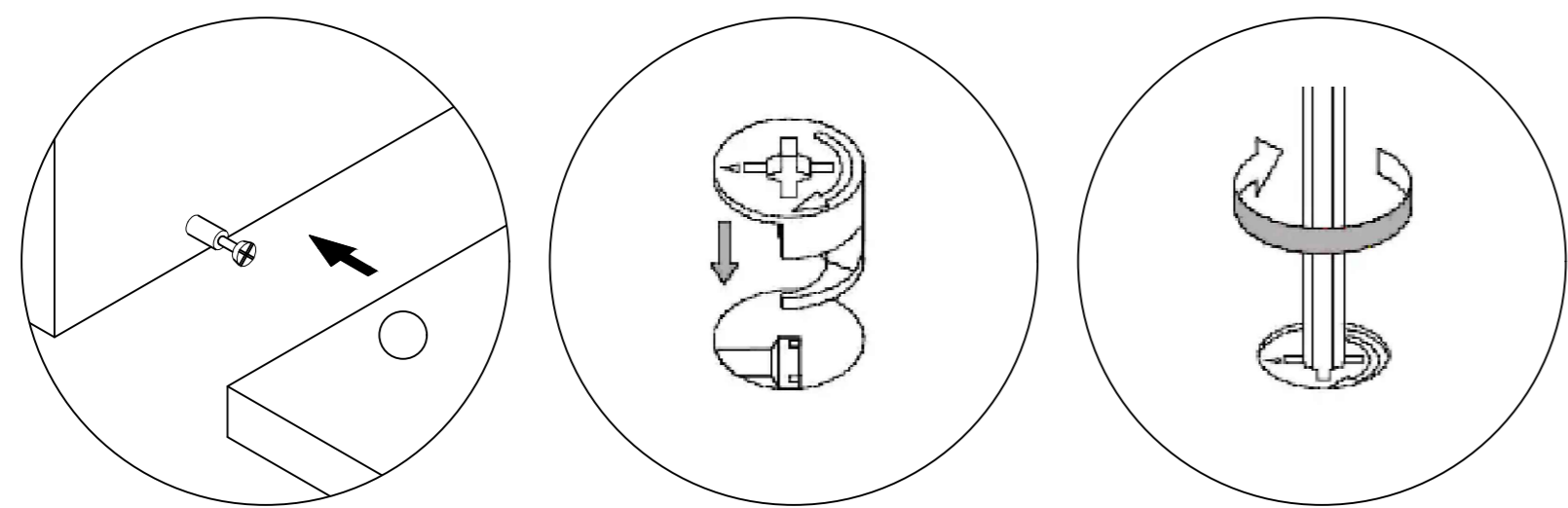
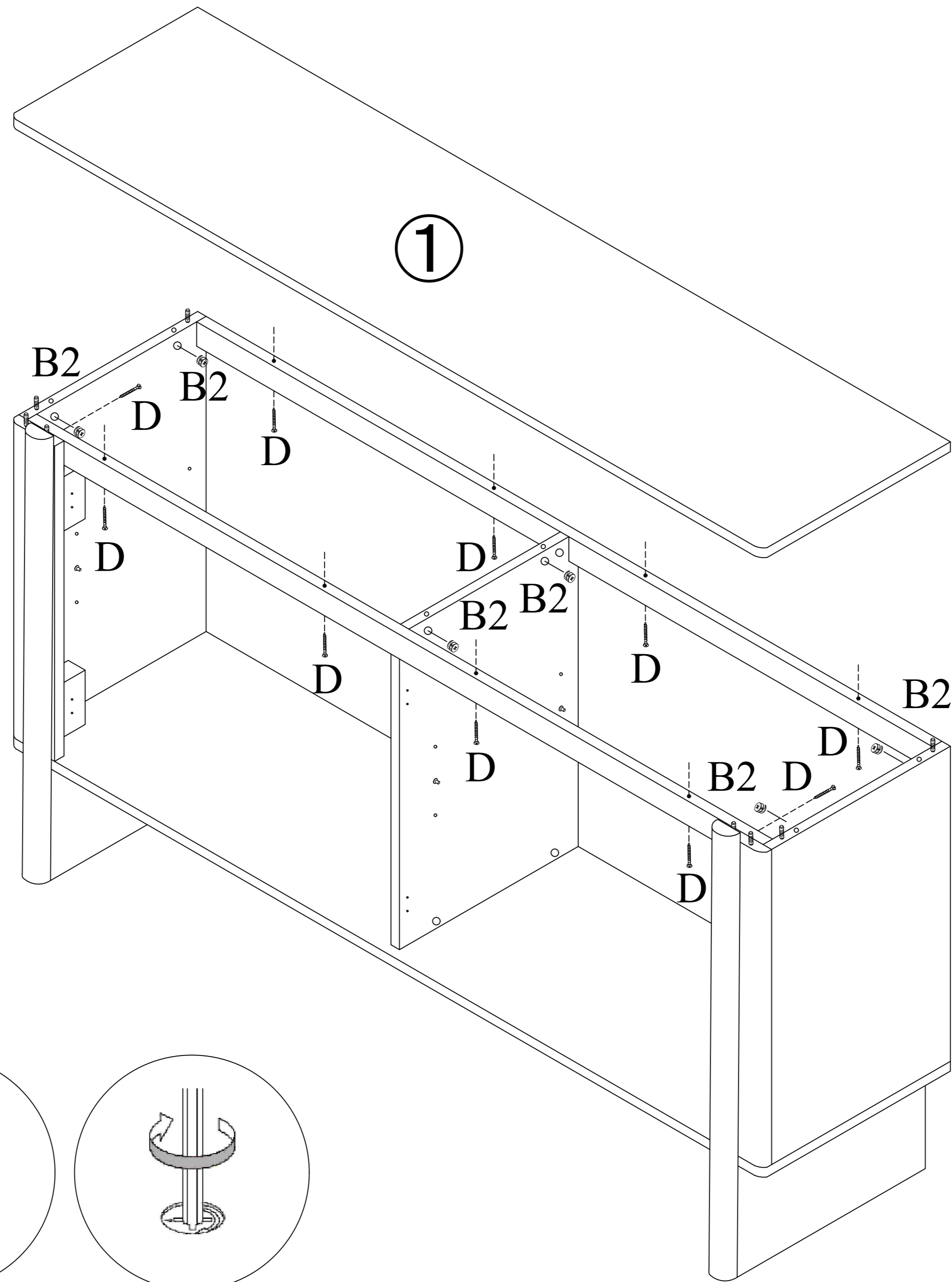
STEP - 8



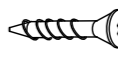

		
CSK SCREW M4 X 32MM	JCBC M6 X 40MM	ALLEN KEY M4
D-2pcs	E-6pcs	F-1pc

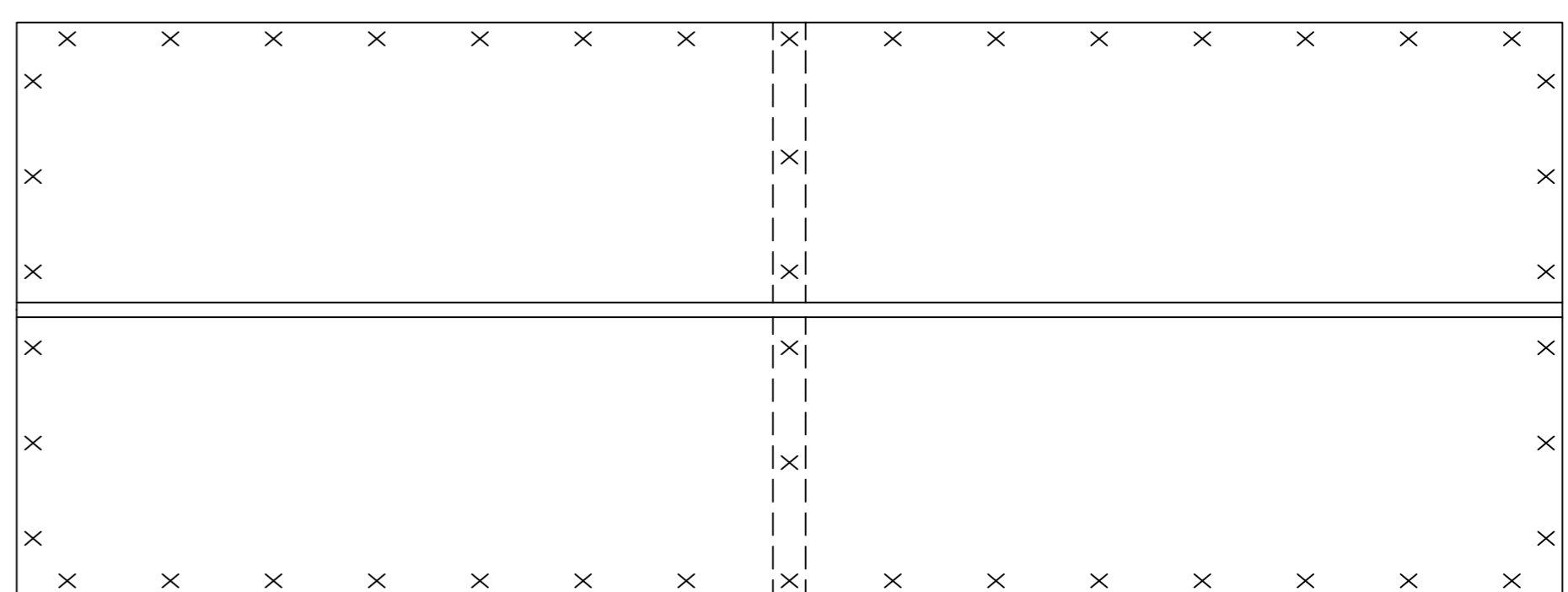
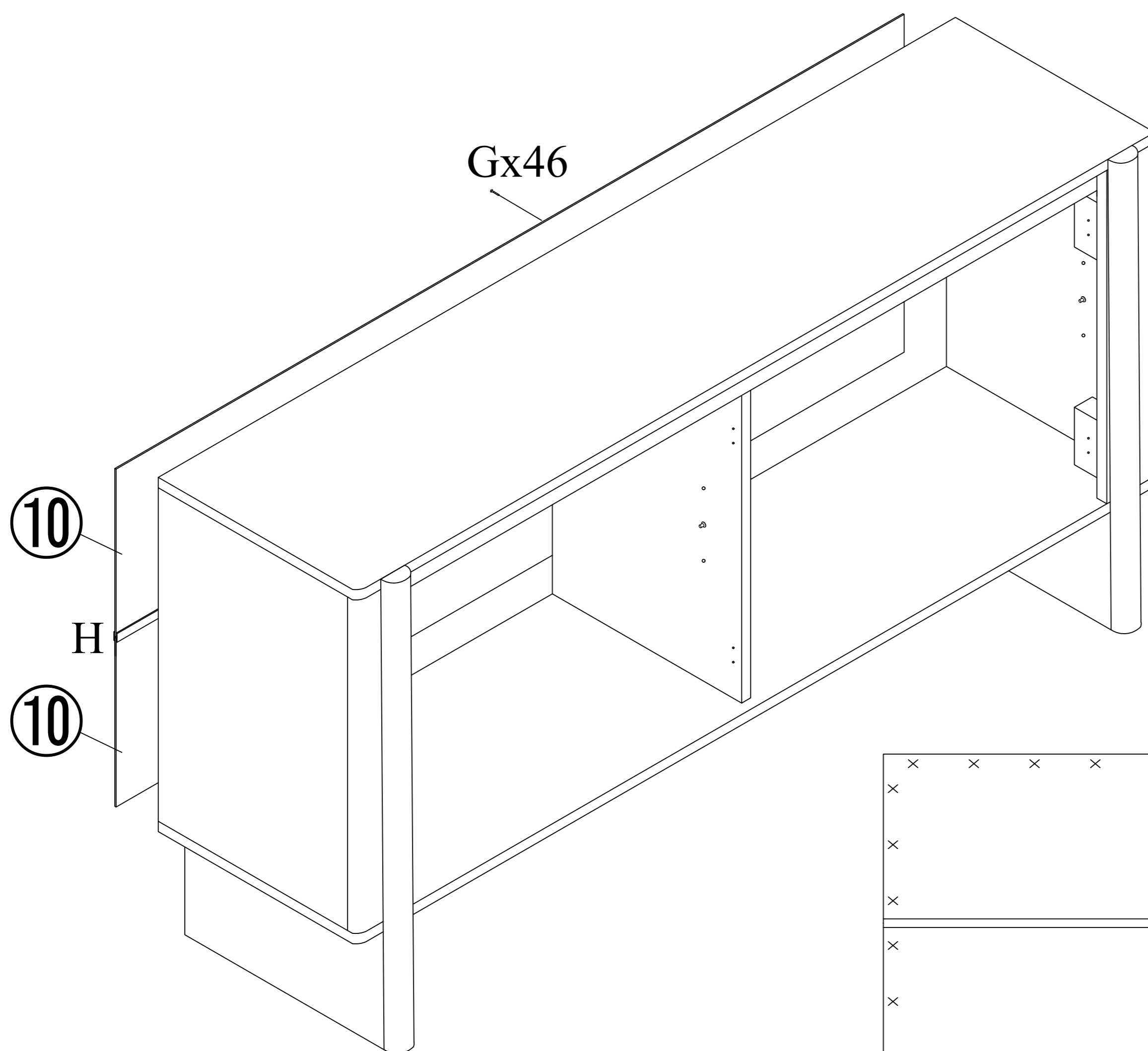
STEP - 9

	
CAM LOCK	CSK SCREW M4 X 32MM
B2-6pcs	D-10pcs



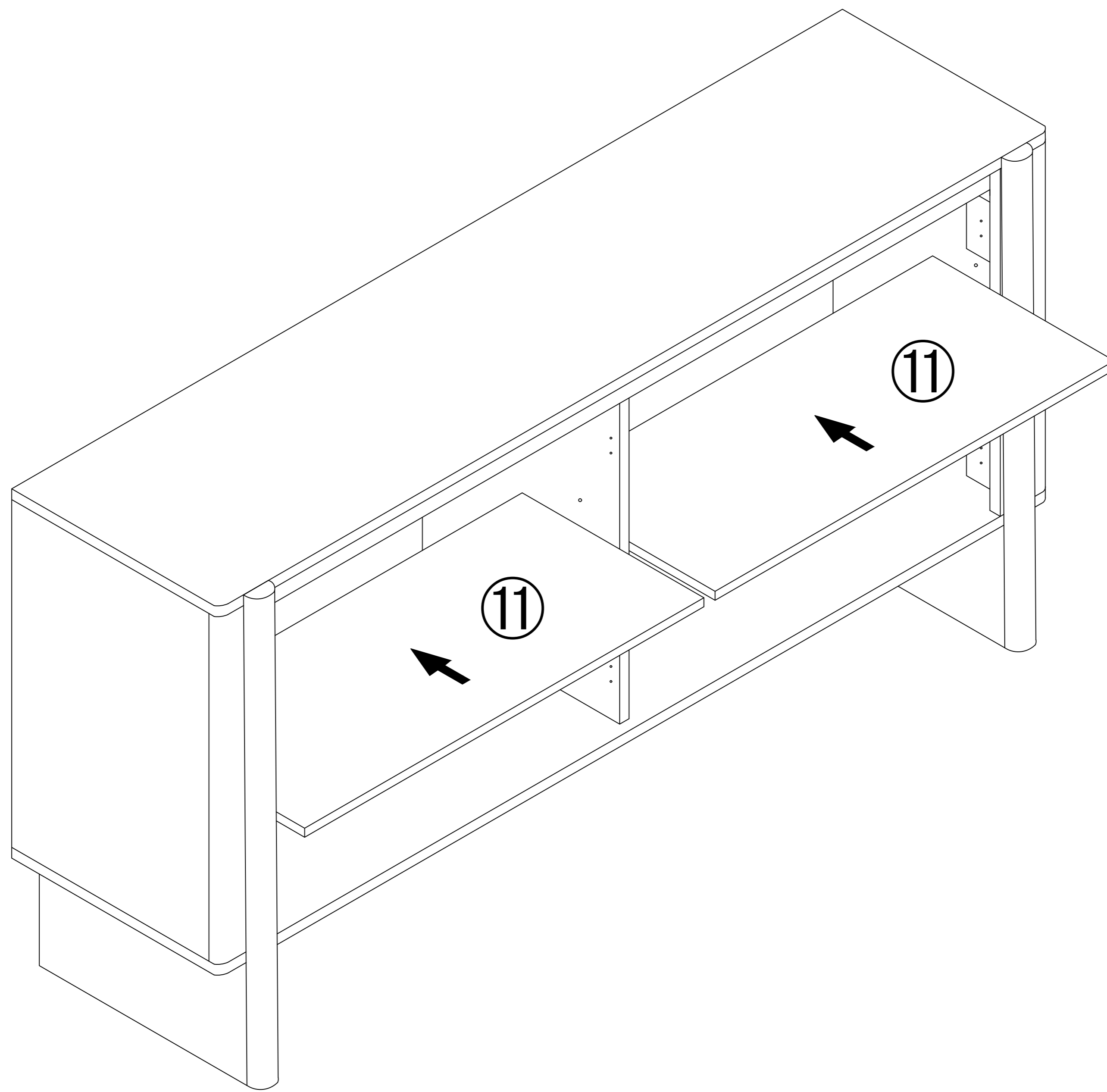
STEP - 10

	
CSK SCREW M3 X 12MM	H CONNECTOR 1558MM
G-46pcs	H-1pc

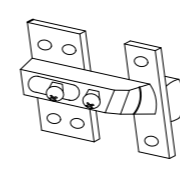
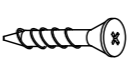

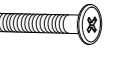


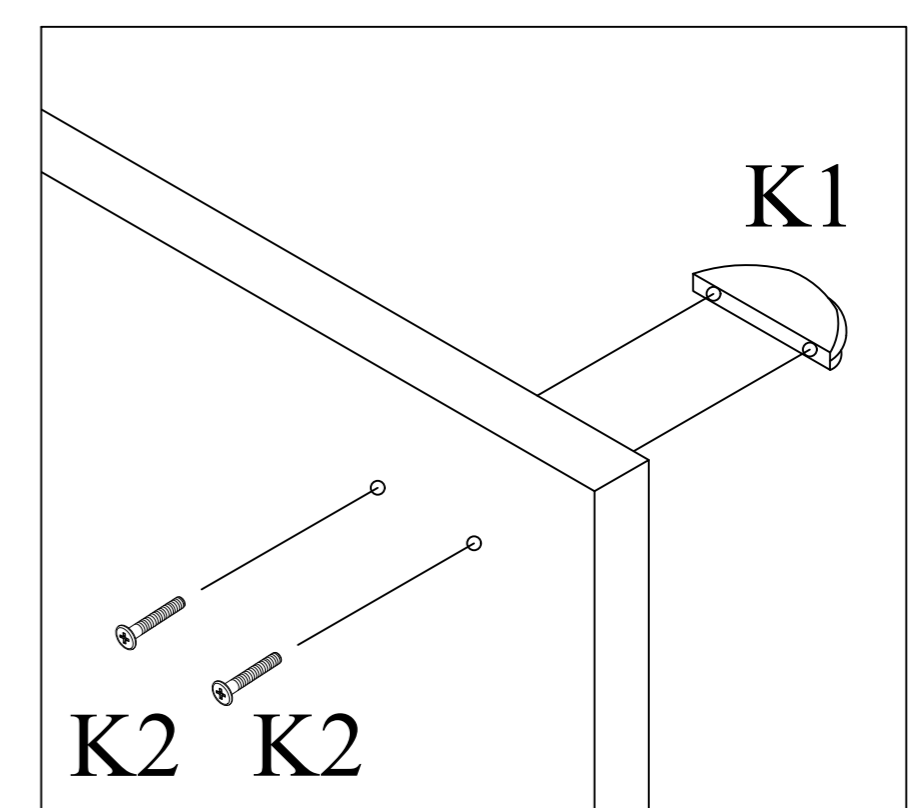
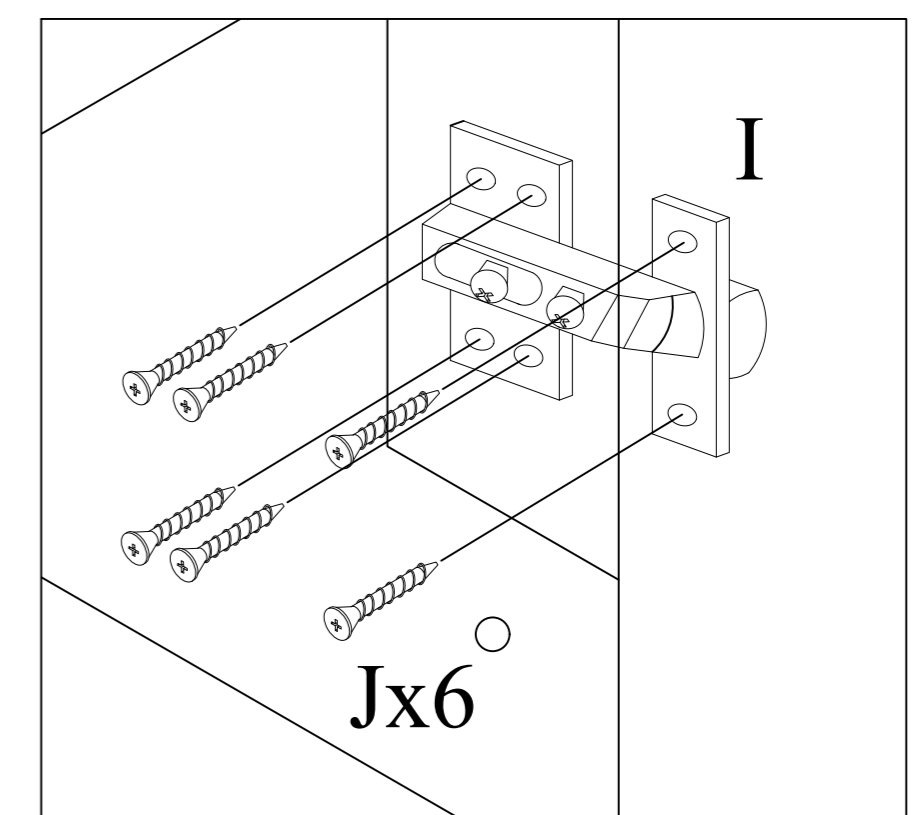
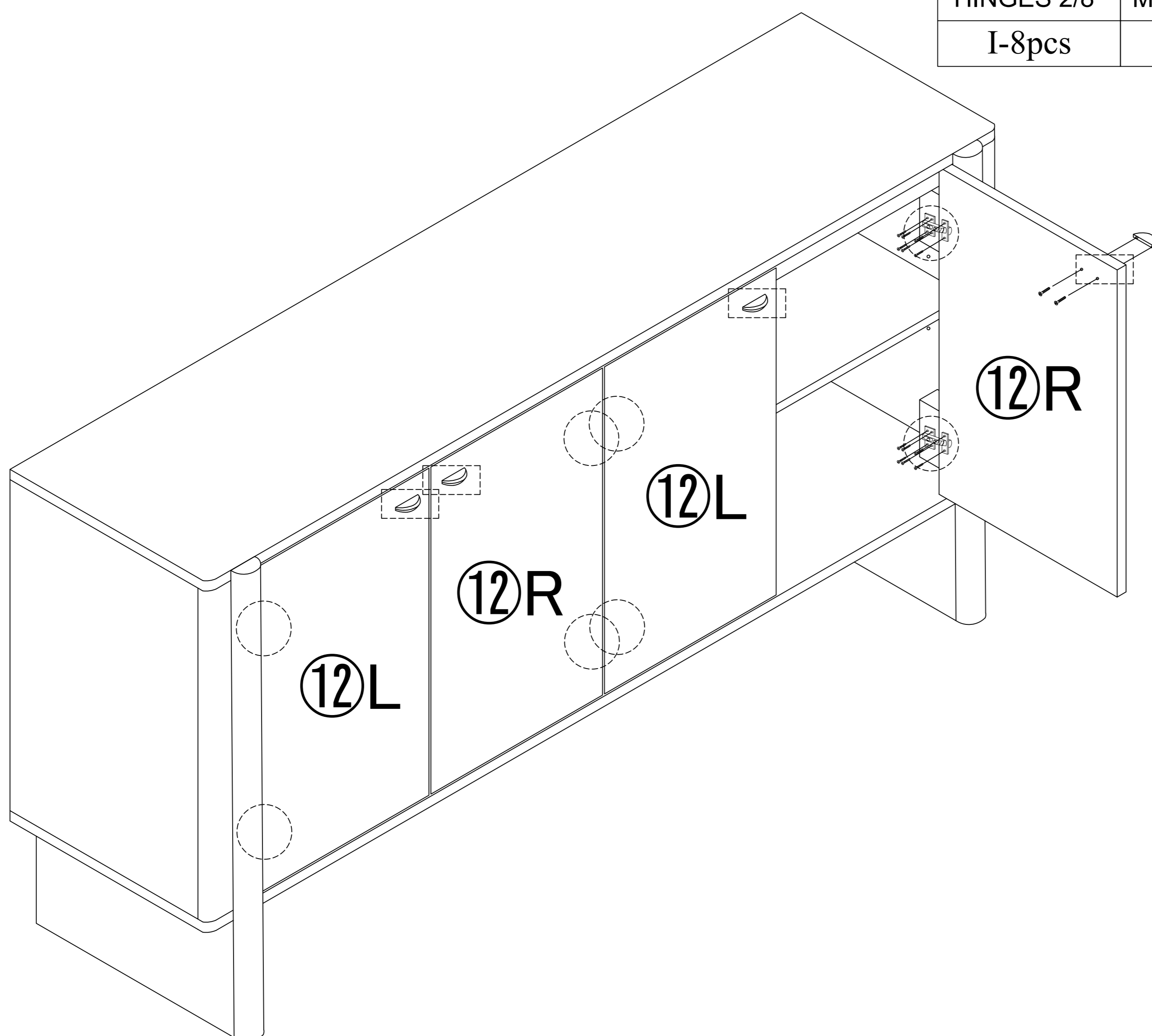
Guidance of screw array

STEP - 11

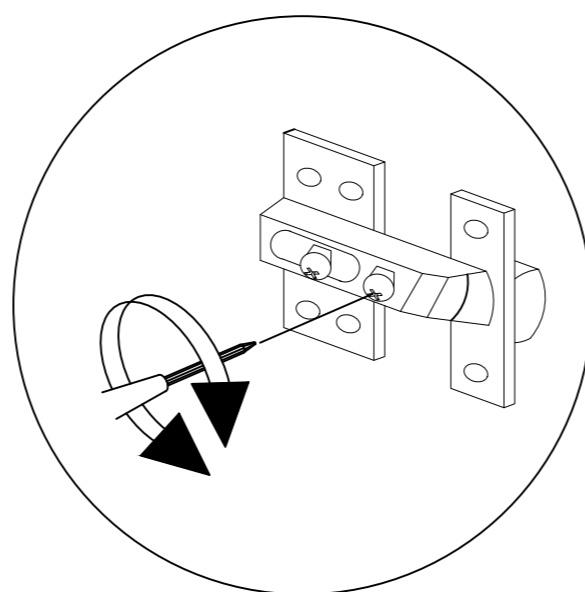
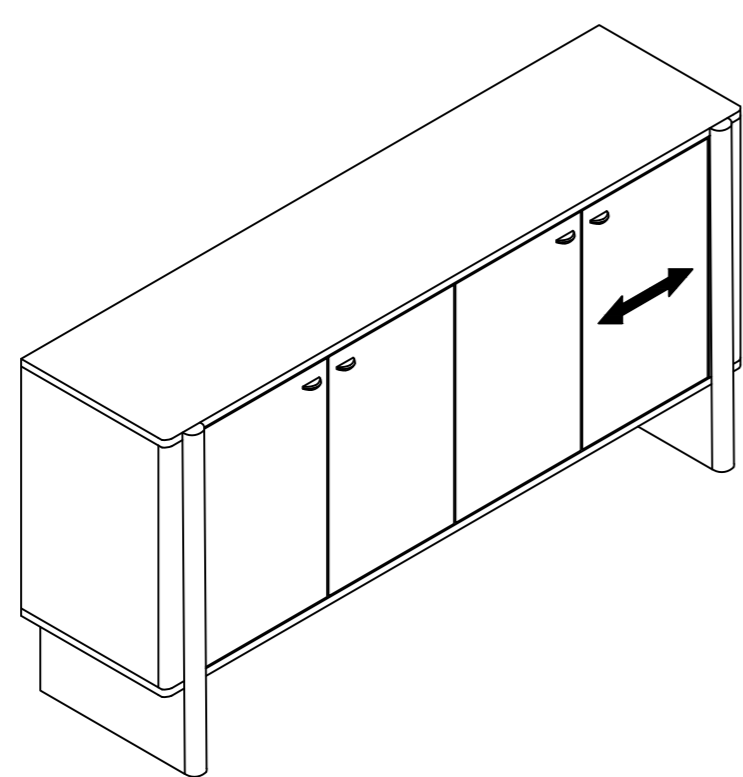


STEP - 12

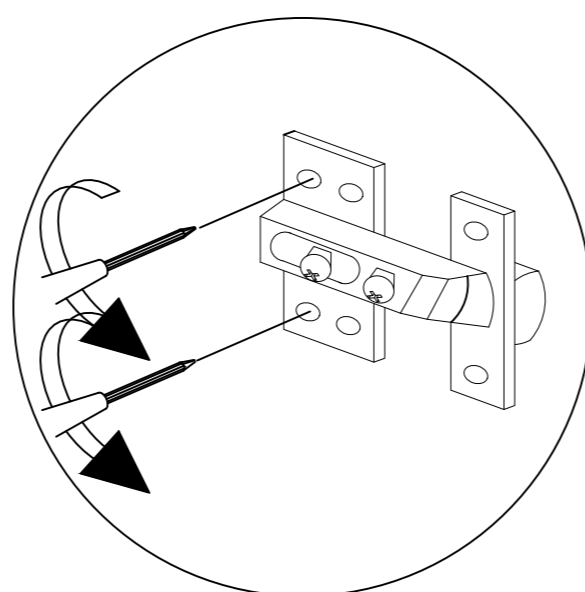
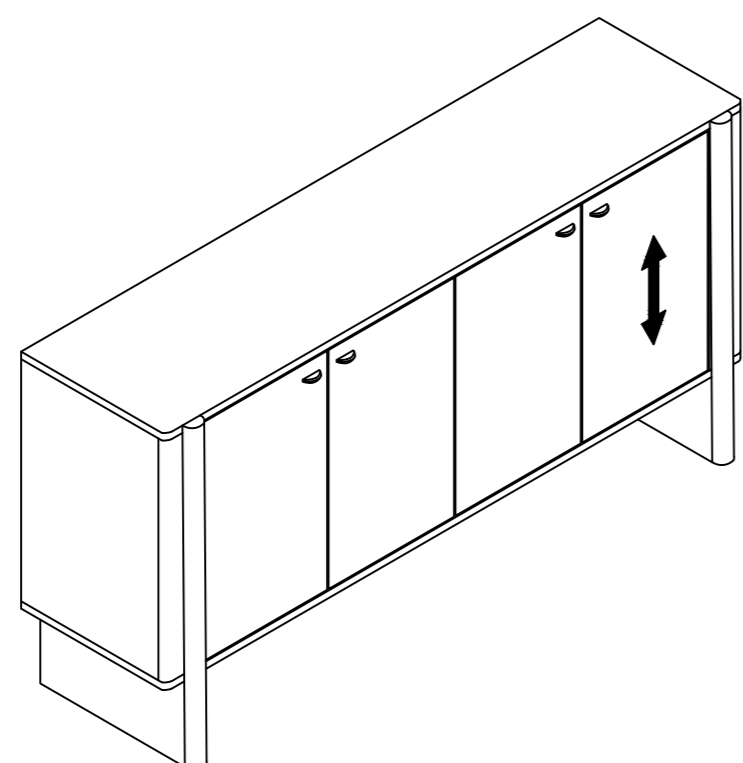
			
SOFT CLOSE HINGES 2/8"	CSK SCREW M3.5 X 16MM	HANDLE	HANDLE SCREW 18MM
I-8pcs	J-48pcs	K1-4pcs	K2-8pcs



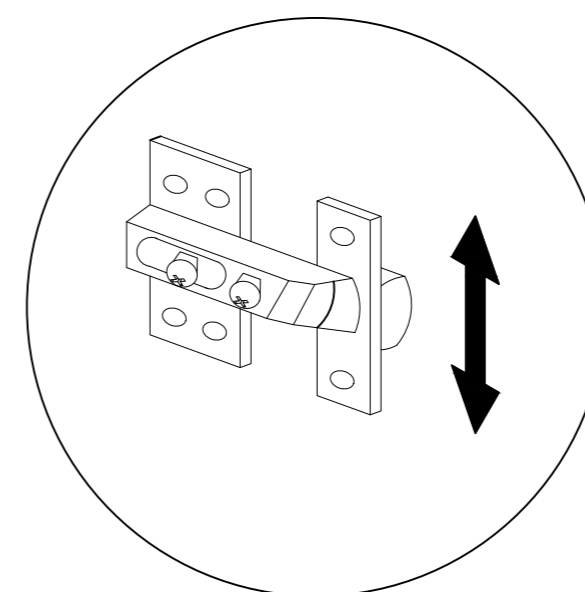
STEP - 13



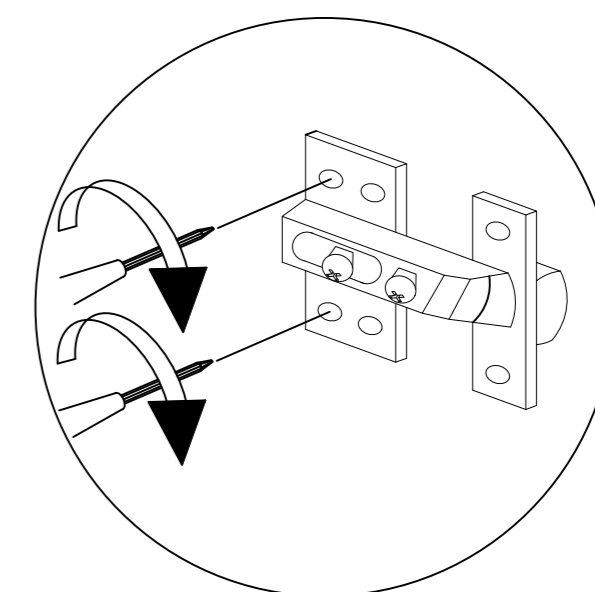
Adjusting the screw
by turning the screw
clockwise or anti-clockwise



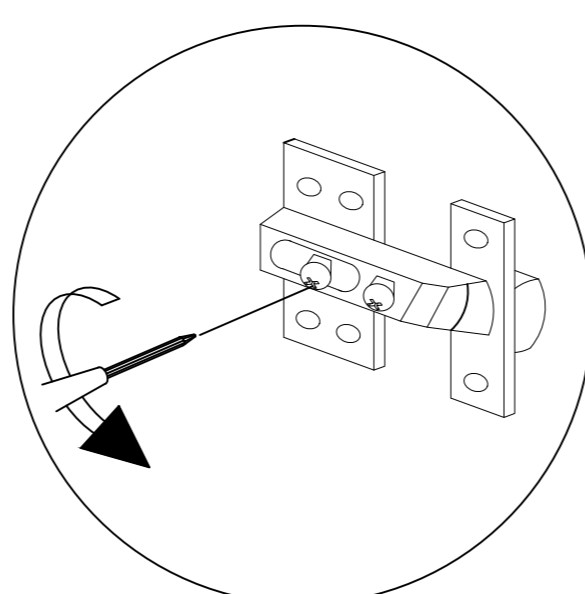
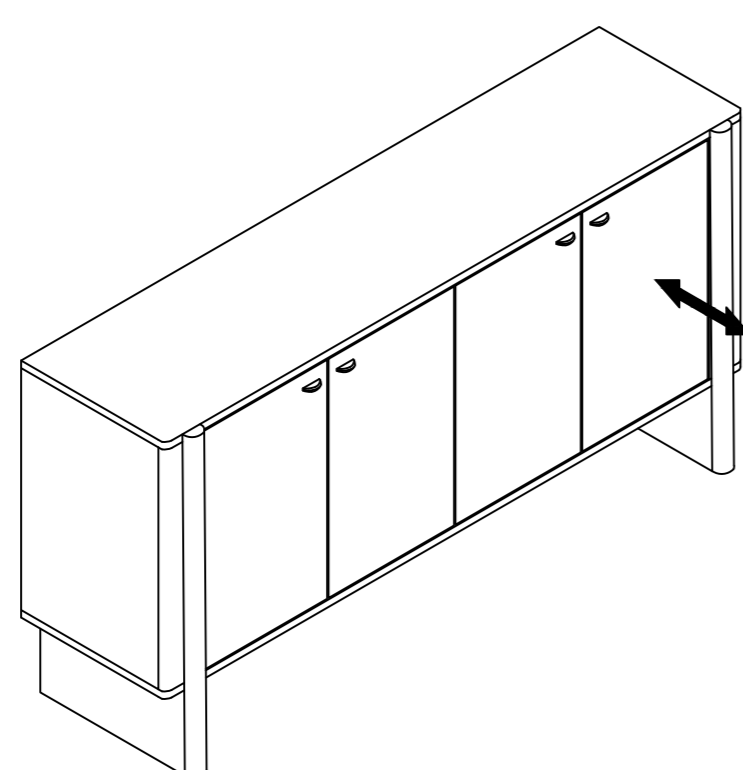
Untighten both screw



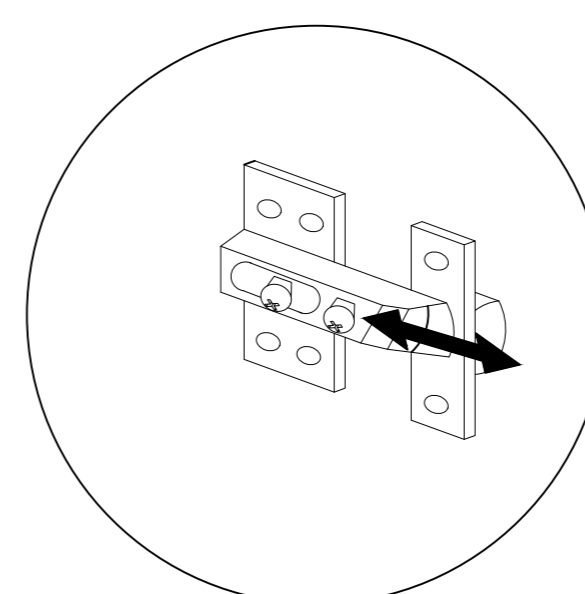
Move door up or down



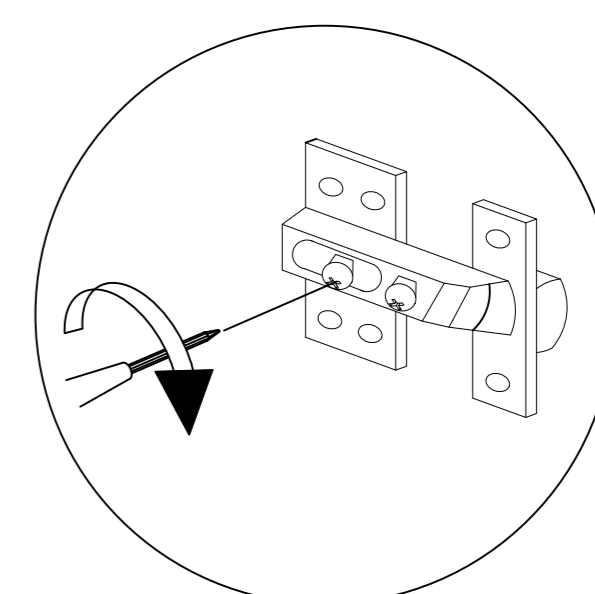
Tighten back both screw



Untighten screw



Move door front or back



Tighten back screw

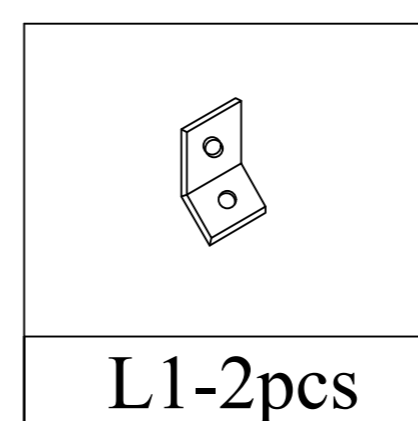
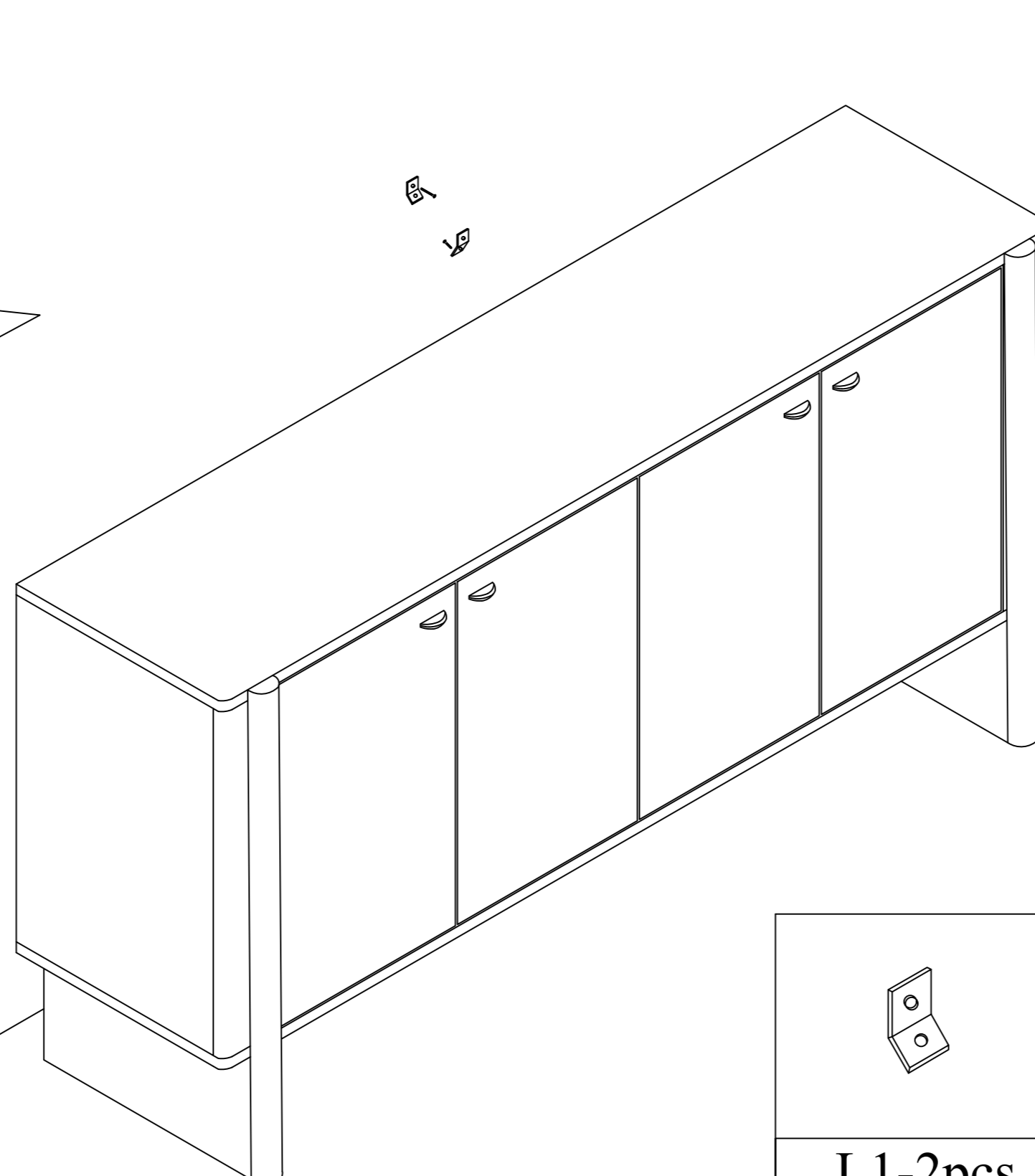
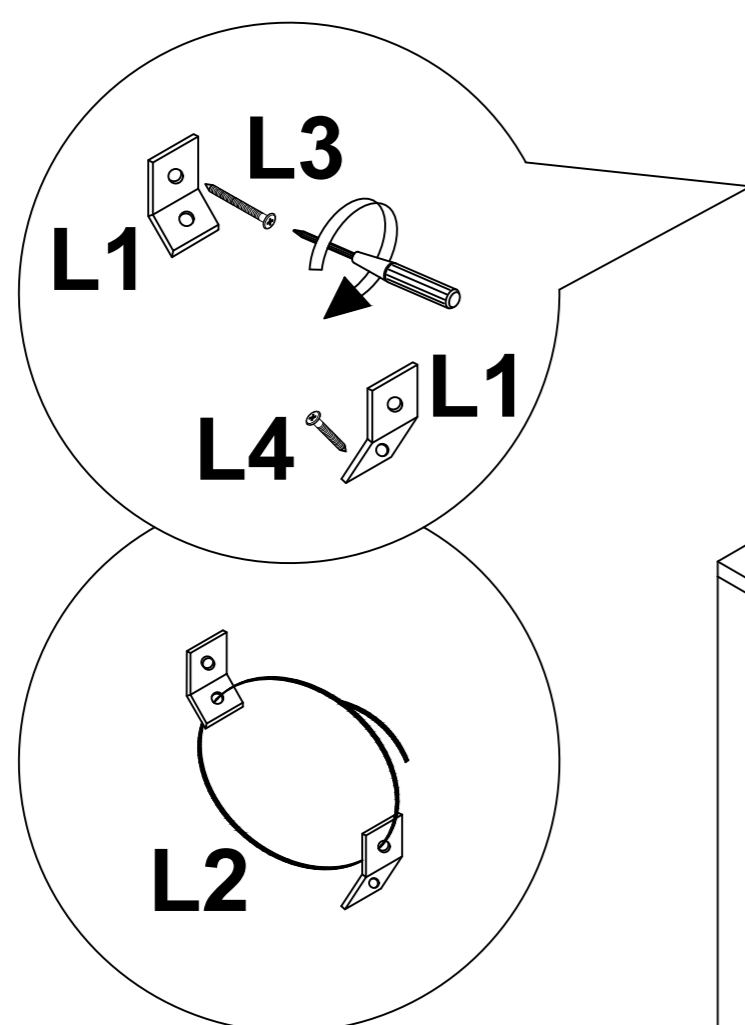
STEP - 14

WARNING

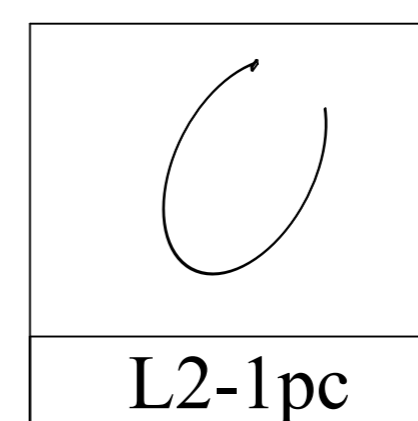
Serious or fatal injuries can occur from furniture tipping over. To prevent the furniture from tipping over we recommend that it is permanently fixed to the wall.

Wall fixings are not supplied with this product as different wall materials require different types of fixing devices.

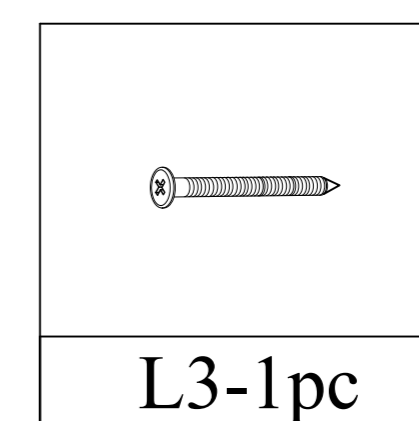
Please make sure you use fixings suitable for the walls in your home.



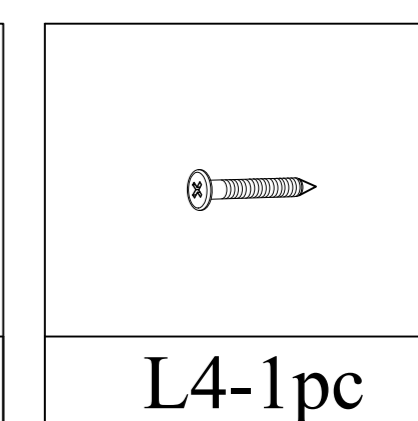
L1-2pcs



L2-1pc



L3-1pc



L4-1pc