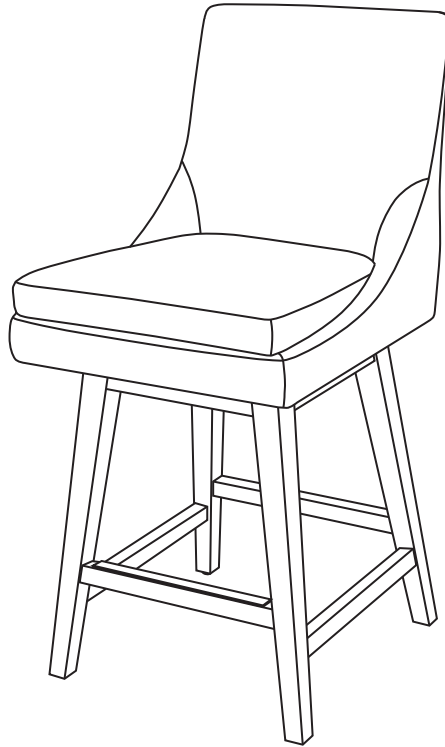


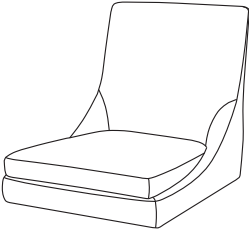
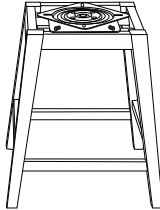

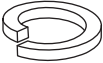

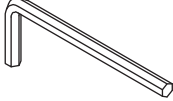
# Assembly Manual

## Counter & Bar Height Swivel Stool



### CAUTION

THIS ASSEMBLY MANUAL CONTAINS IMPORTANT SAFETY INFORMATION.  
PLEASE READ AND KEEP FOR FUTURE REFERENCE.

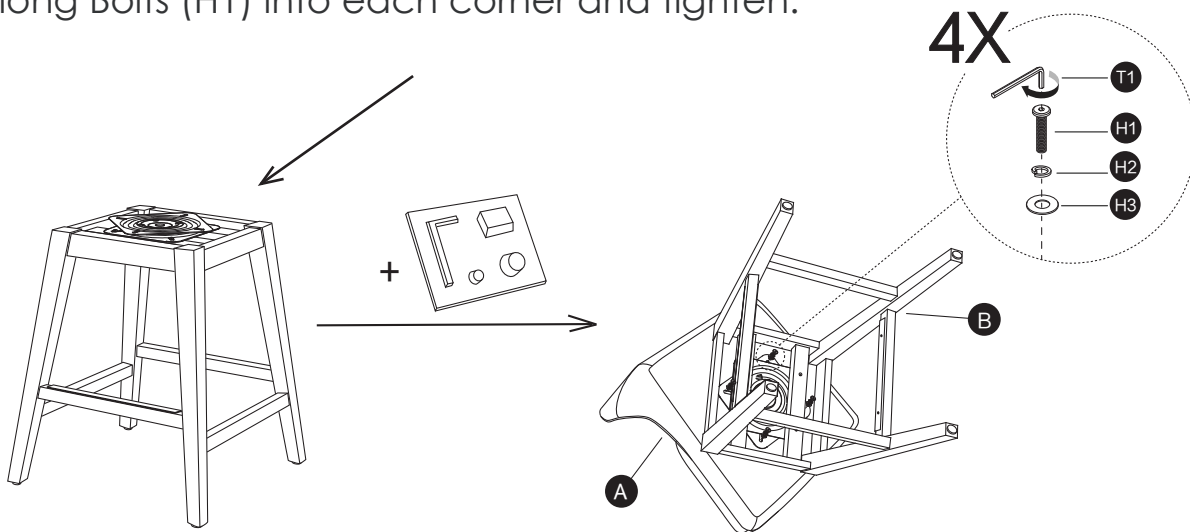
<b>Ax1</b> 	<b>Bx1</b> 	<b>H1x4</b> 
<b>H2x4</b> 	<b>H3x4</b> 	<b>T1x1</b> 

### ASSEMBLY INSTRUCTIONS

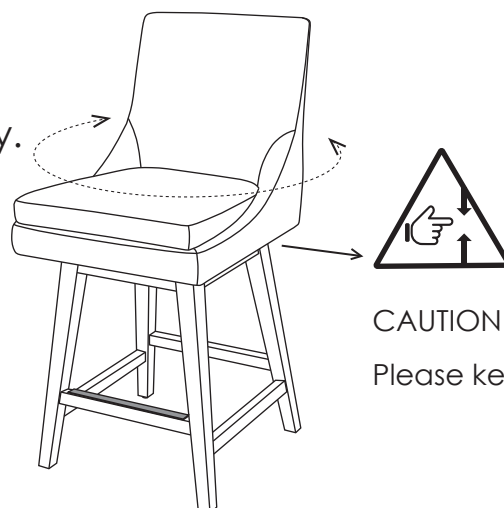
- 1 Flip over the stool seat bucket.
- 2 Slightly rotate the top swivel plate approximately 45 degrees.



- 3 Place the swivel stool base on the stool seat bucket bottom and insert long Bolts (H1) into each corner and tighten.



- 4 Assembly complete. Enjoy.



CAUTION: PINCH POINT.  
Please keep hands clear during swivel.