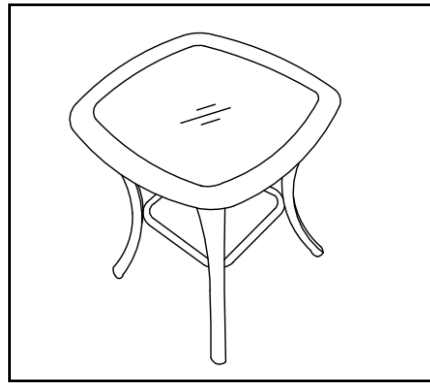


SIDE TABLE

SIDE TABLE ASSEMBLY INSTRUCTION



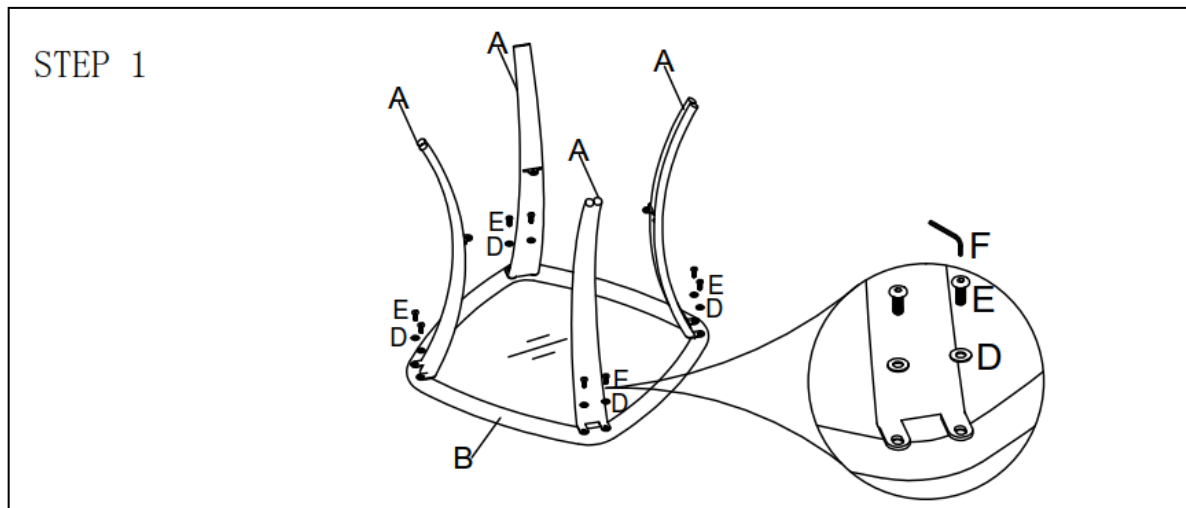
Part	PARTS LIST		Quantity
	Description		
	<i>PARTS</i>		
A	Table Feet		4
B	Table Top		1
C	Table Rack		1
	<i>HARDWARE</i>		
D	Washers		12
E	Bolts M6*15mm		12
F	Allen Key		1

A	B	C
X4	X1	X1
D	E	F
	 M6*15	
X12	X12	X1

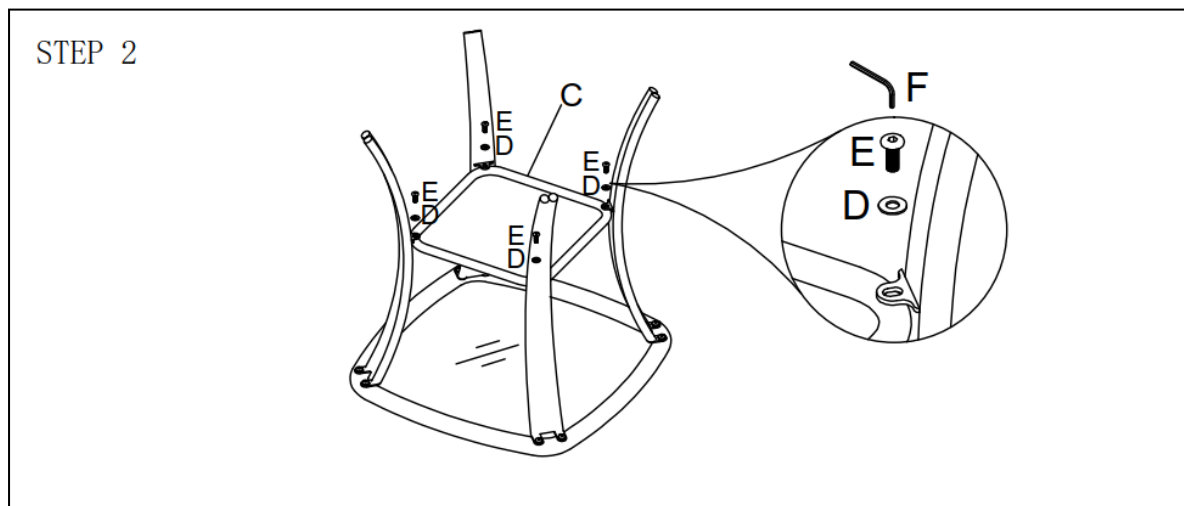
PLEASE READ AND FOLLOW ALL SAFETY TIPS

***Tips: Do not fasten all bolts completely tight until finish all steps.

1. Locate 4 Table Feet(A) to the Table Top(B) by the pre-drilled threads. Fasten Bolts(E) with Washers(D) by using Allen Key(F) to combine table top and table feet together. 8 bolts should be fastened totally, 2 for each foot. (Step 1)



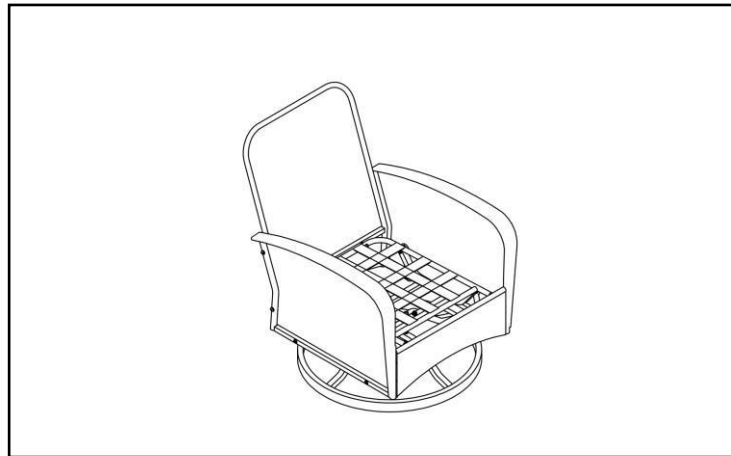
2. Locate Table Rack(C) to 4 Table Feet(A) by the pre-drilled threads. Fasten Bolts(E) with Washers(D) by using Allen Key(F) to combine table rack and table feet together. 4 bolts should be fastened totally, 1 for each corner of the rack. Now fasten all bolts tight(Step 2)








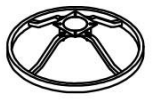






Till now you have finished the whole assembly and enjoy your coffee with the table!!

SWIVEL CHAIR

SWIVEL CHAIR ASSEMBLY INSTRUCTION



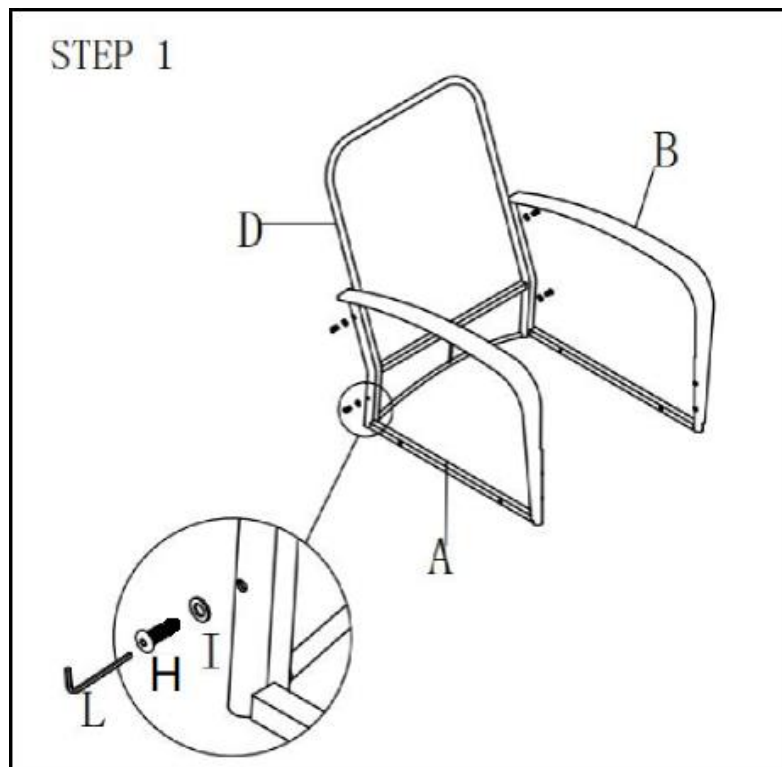
Part	DESCRIPTION	Quantity
PARTS LIST		
PARTS		
A	Right Armrest	1
B	Left Armrest	1
C	Chair Seat	1
D	Chair Back	1
E	Rocking Track	1
F	Swivel Chair Base	1
HARDWARE		
G	Bolts M6 *40mm	4
H	Bolts M6 *35mm	14
I	Washers	18
K	Screw Nuts	8
L	Allen Key	1
M	Hex Spanner	1

A 	B 	C 	D 	E 	F 
X1	X1	X1	X1	X1	X1
G  M6*40	H  M6*35	I 	K 	L 	M 
X 4	X14	X18	X8	X1	X1

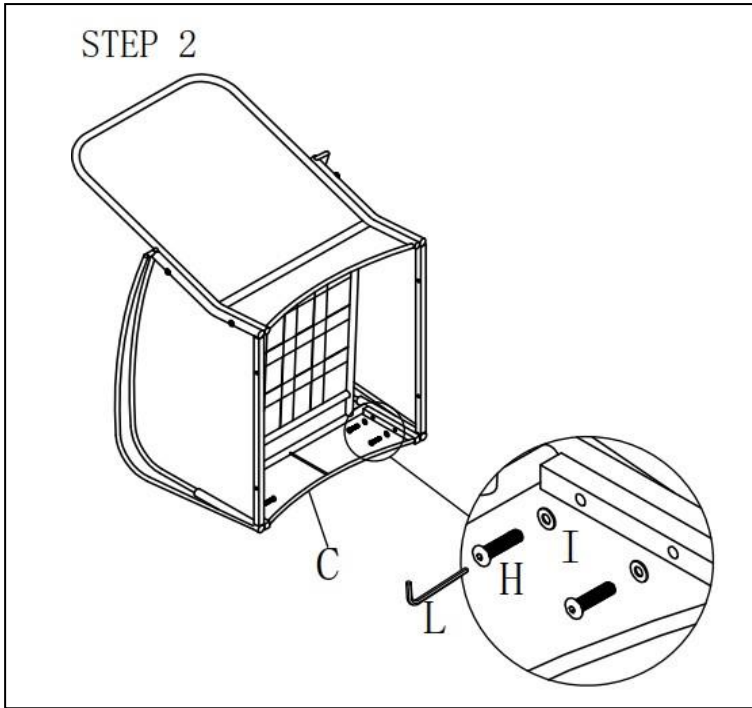
PLEASE READ AND FOLLOW ALL SAFETY TIPS

***Tips: Do not fasten all bolts completely tight until finish all steps.

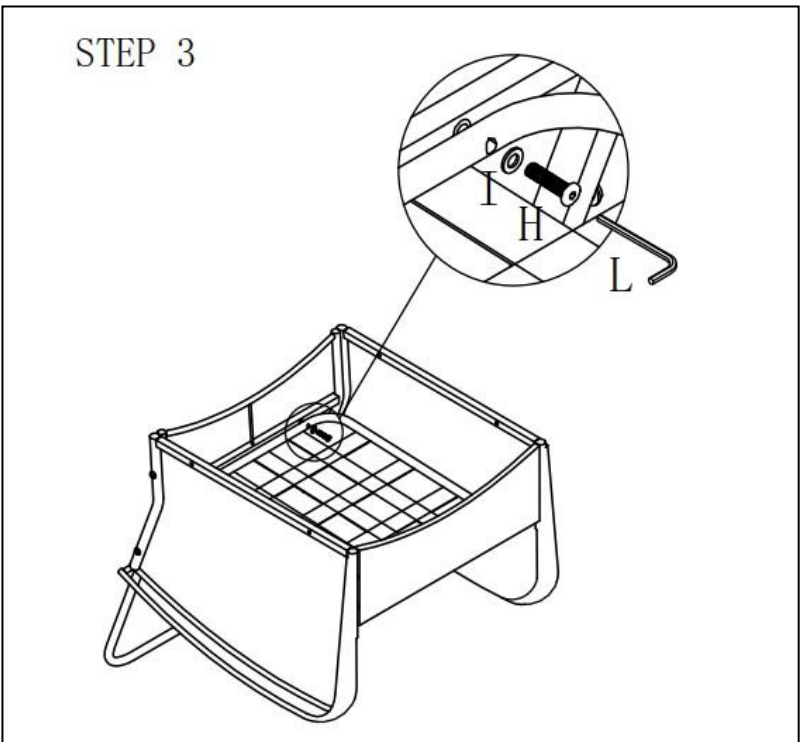
1. Locate the Armrests(A & B) to the Chair Back(D) by the pre-drilled threads. Fasten Bolts(G) with Washers (I) by using Allen Key(H) to combine armrests and chair back together. 4 bolts should be fastened totally. (Step 1)



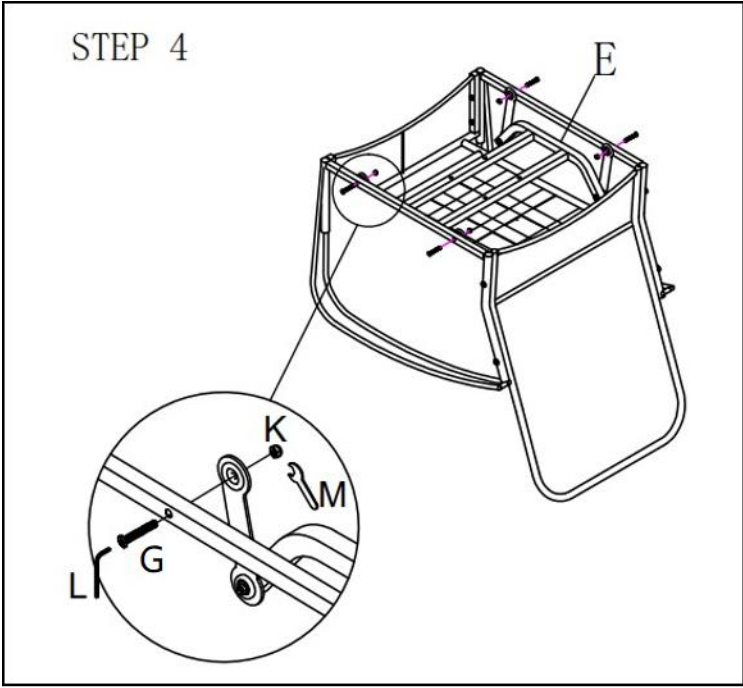
2. Locate the Chair Seat(C) to the Armrests(A & B) by the pre-drilled threads. Fasten Bolts(H) with Washers (I) by using Allen Key(L) to combine armrests and chair seat together. 4 bolts should be fastened totally. (Step 2)



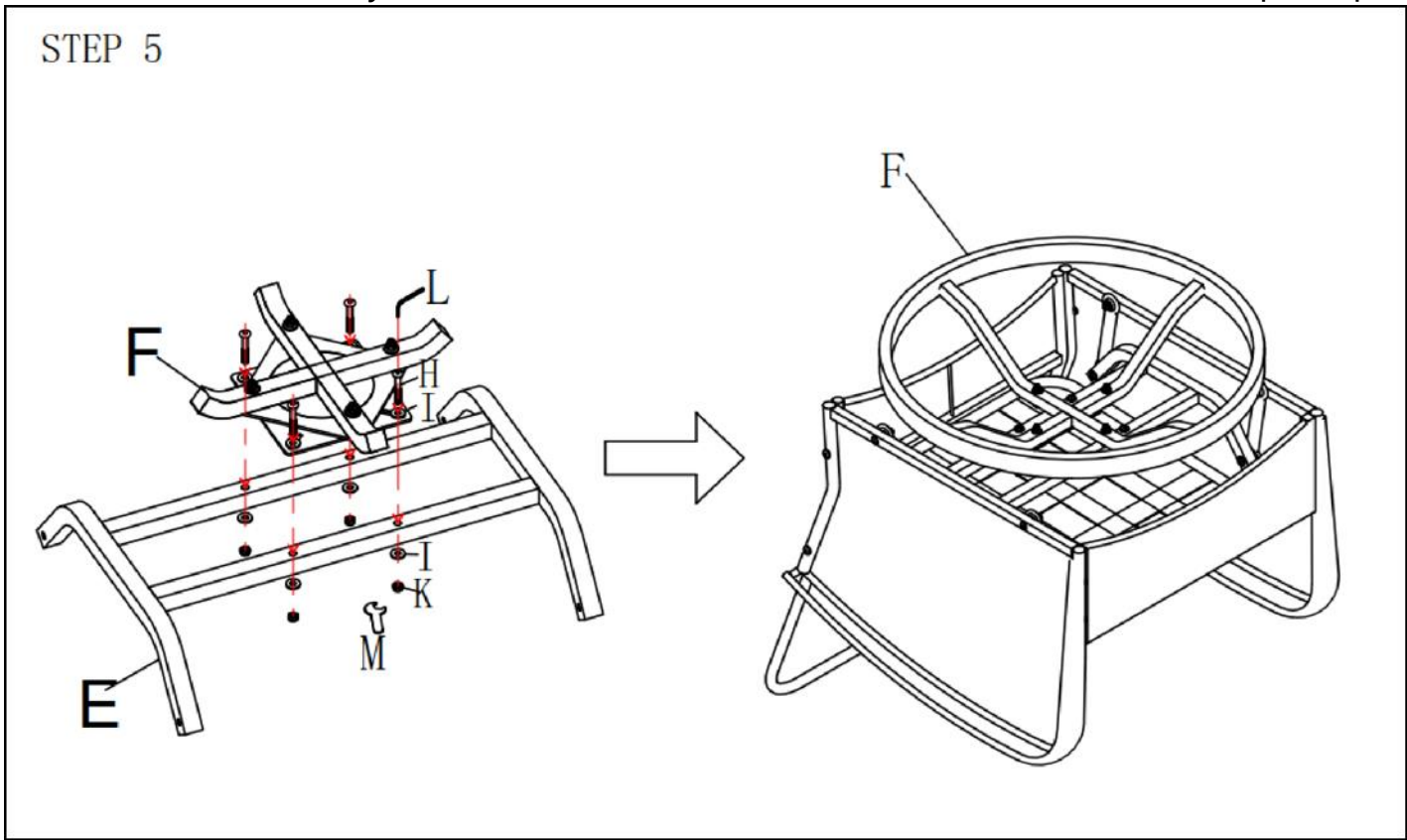
3. Locate the Chair Seat(C) to the Chair Back(D) by the pre-drilled threads. Fasten Bolts(H) with Washers (I) by using Allen Key(L) to combine chair seat and chair back together. 2 bolts should be fastened totally. (Step 3).



4. Locate the Rocking Track(E) to the Armrests' bottom(A & B) by the pre-drilled threads. Fasten Bolts(G) into Screw Nuts(K) by using Allen Key(L) and Hex Spanner(M) to combine rocking rack and the chair main part together. 4 bolts should be fastened totally. (Step 4).



5. Locate the Rocking Track(F) to the Rocking Rack(E) by the pre-drilled threads. Fasten Bolts(H) with Washers (I) into Screw Nuts(K) by using Allen Key(L) and Hex Spanner(M). 4 bolts should be fastened totally. 8 Washers A and 4 Washers B are needed for this step (Step 5).



6. Fasten all bolts tight.

Till now you have finished the whole assembly and enjoy your chair!!