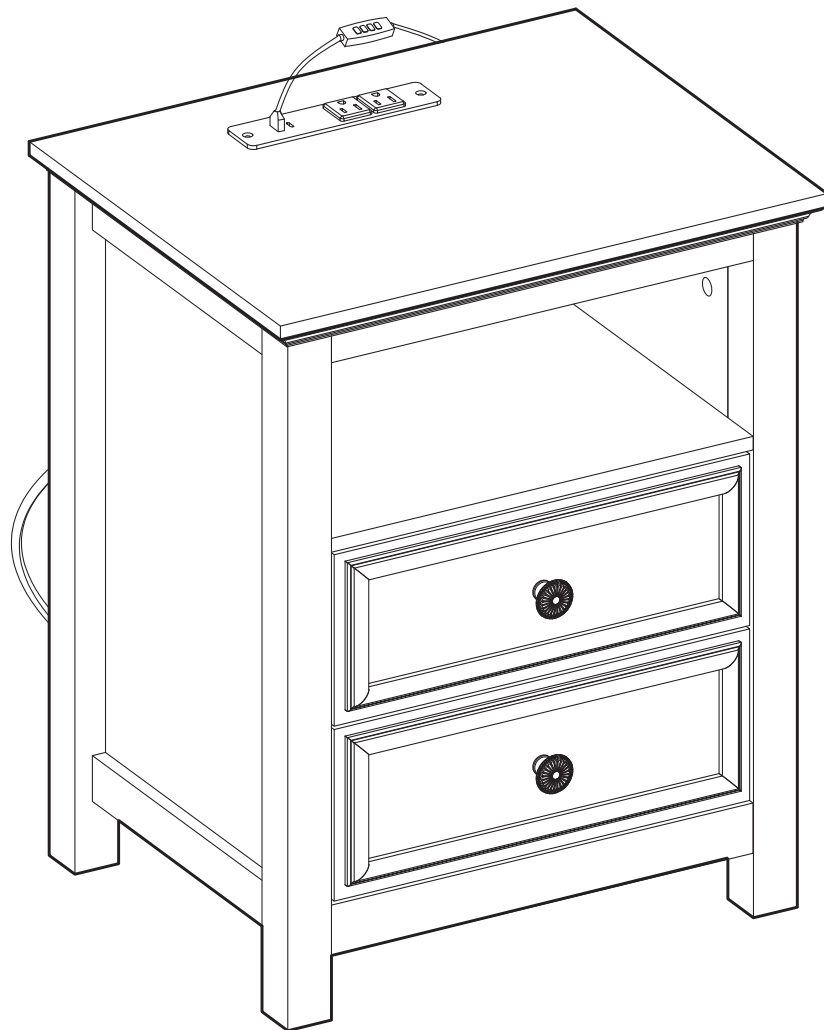


HW-AM557720

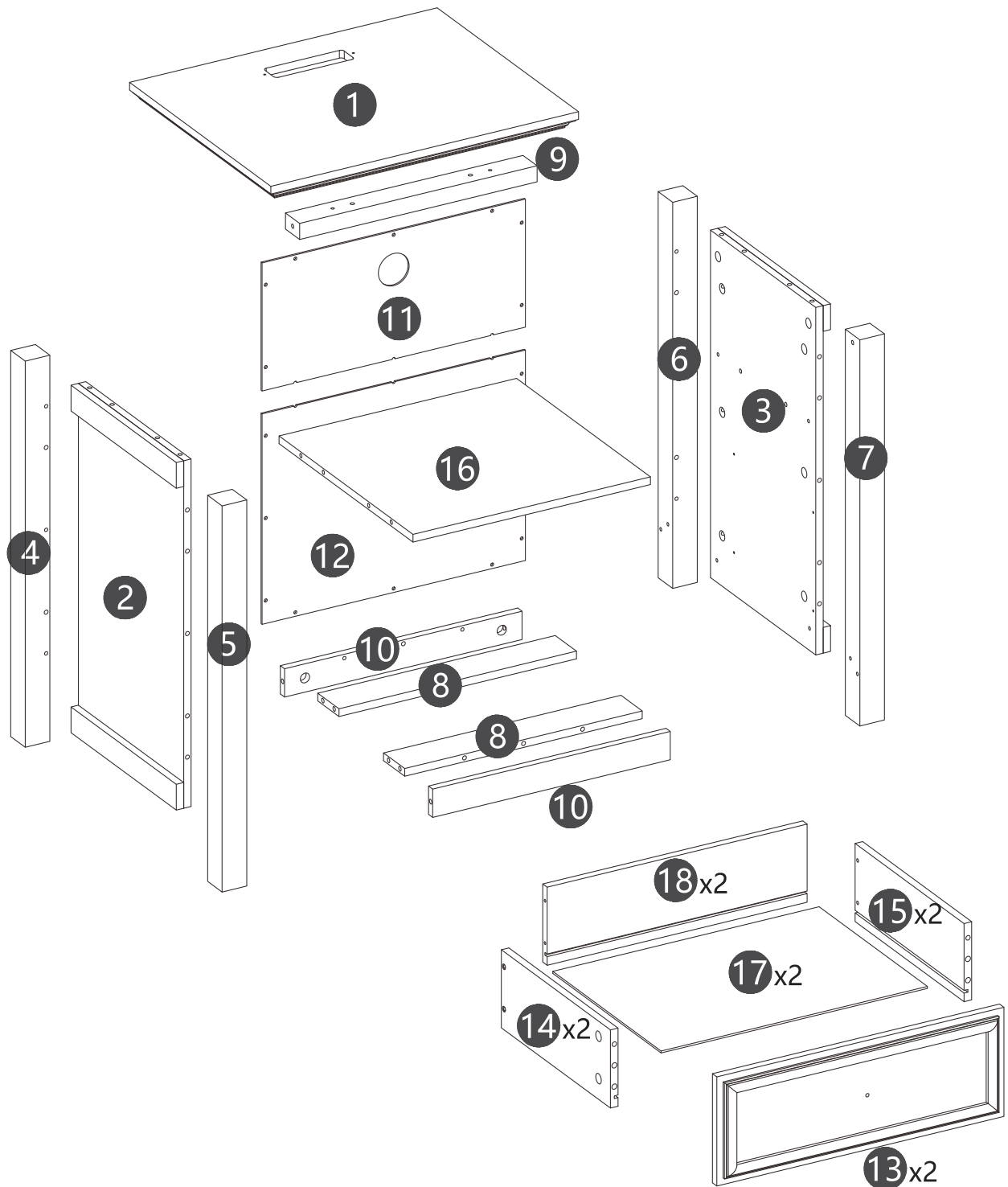
CUSTOMER MANUAL

-V0.1



Contact us: Support@lghm.vip

ASSEMBLY STRUCTURE REFERENCE DIAGRAM



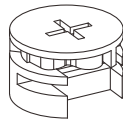
PARTS

A



∅6x40mm
X 40+2

B



∅15x9.5mm
X 40+2

C



∅6x30mm
X 30+2

D



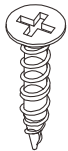
M3.5x35mm
X 10+1

E



M3.5x12mm
X 19+2

F



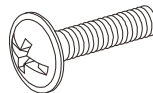
M3.5x12mm
X 26+2

G



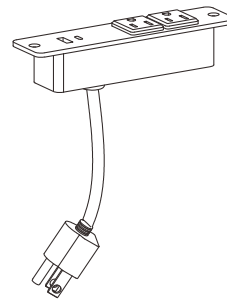
X 2

H



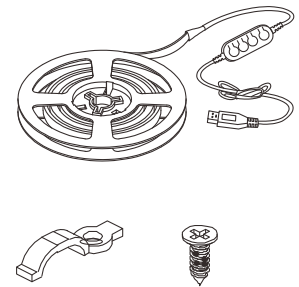
M4x16mm
X 2+1

I



X 1

K



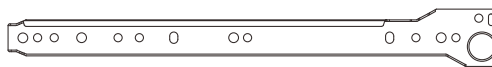
X 1

J

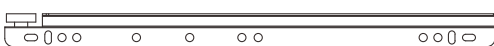
CL X 2



CR X 2



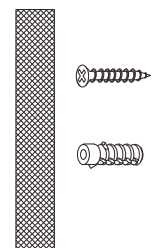
DL X 2



DR X 2



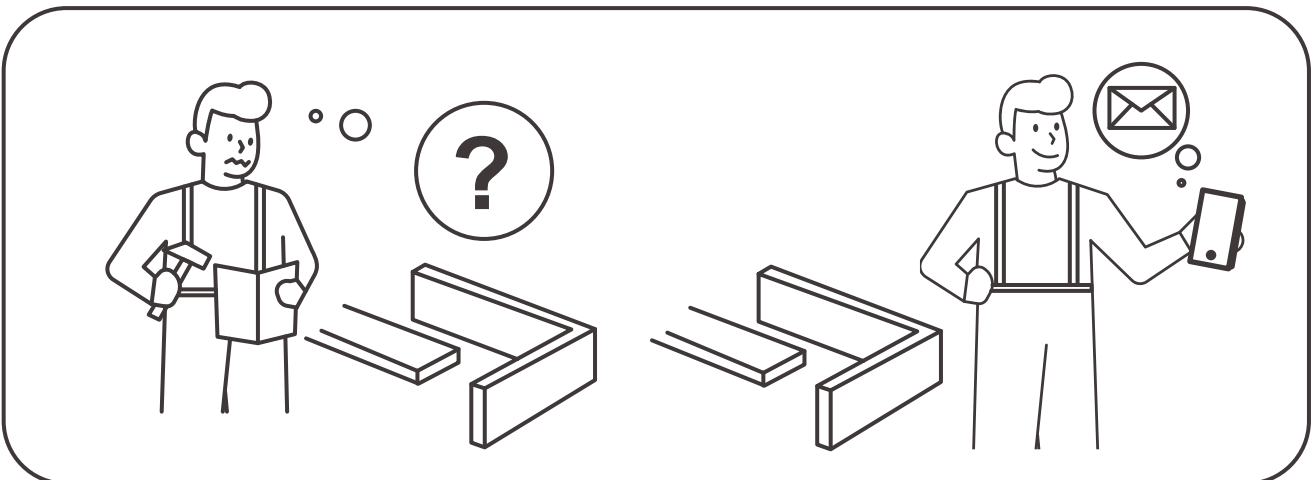
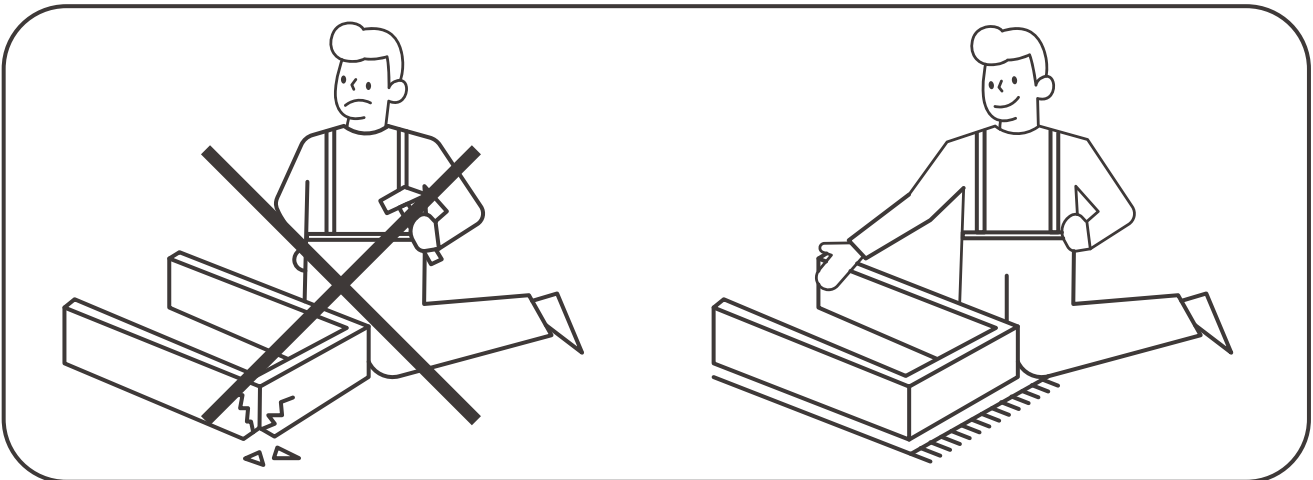
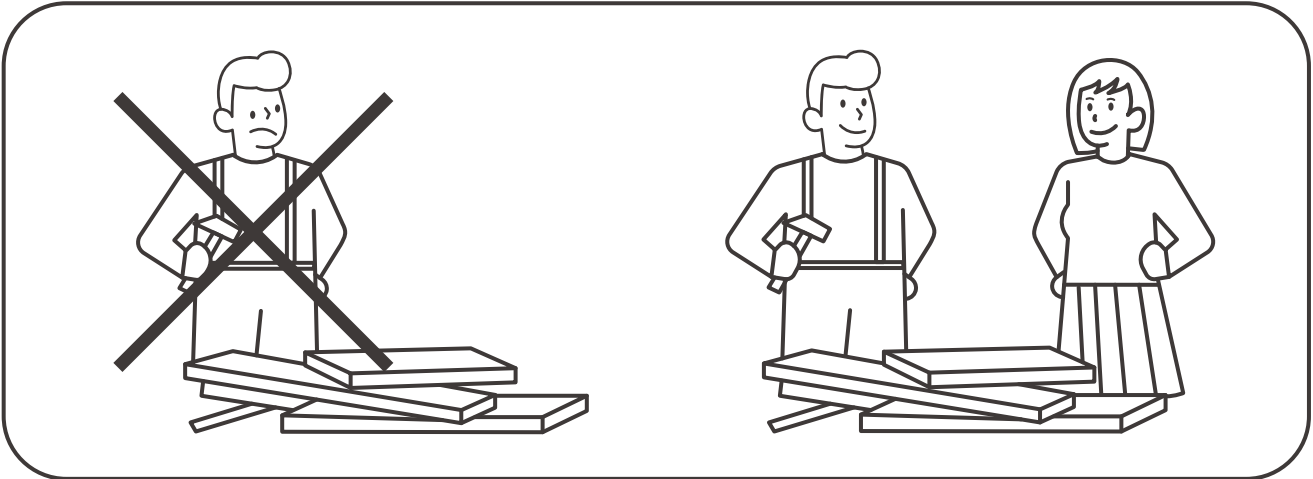
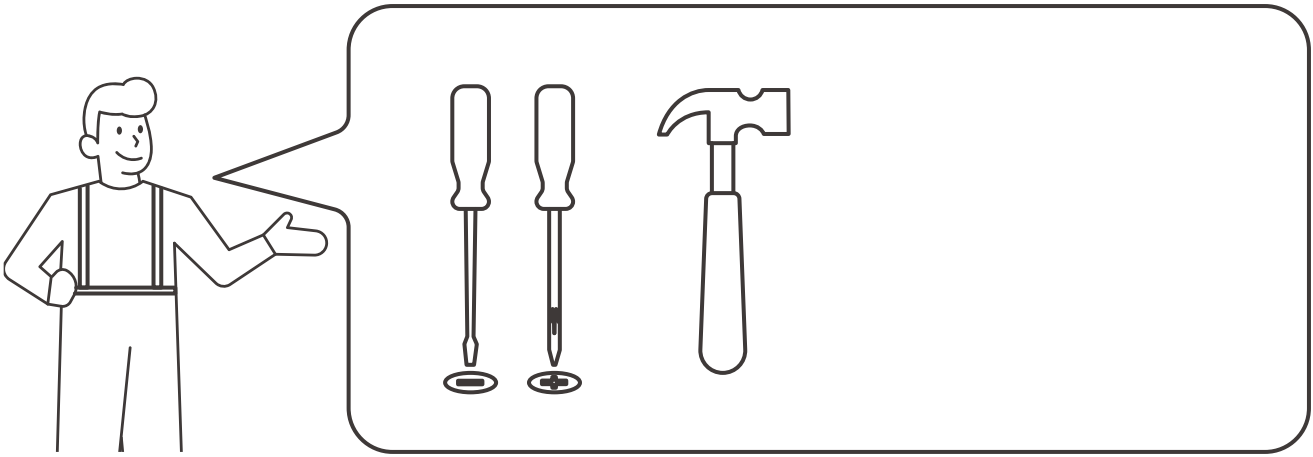
L



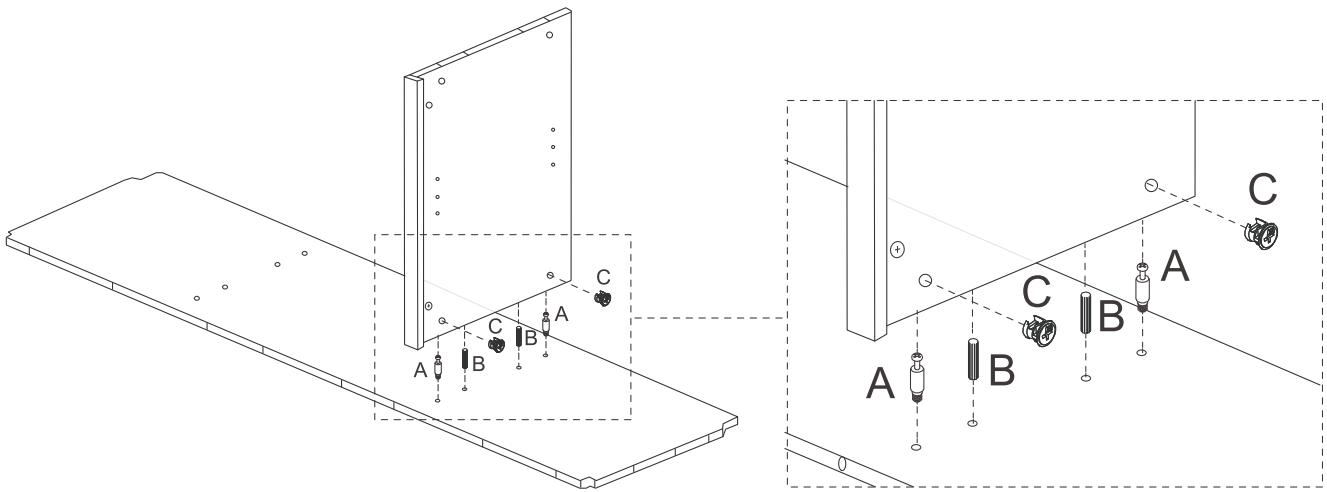
X 2

Attention: there are 4 kinds of slides in our product, in which 2 are **Boards slides**, which marked as **CL & CR** and contains 2 pieces respectively, and the other 2 are the **Drawer slides**, which marked as **DL & DR** and contains 2 pieces respectively.

The hardware quantities listed above are required for proper assembly. Some extra hardware may also have been included.

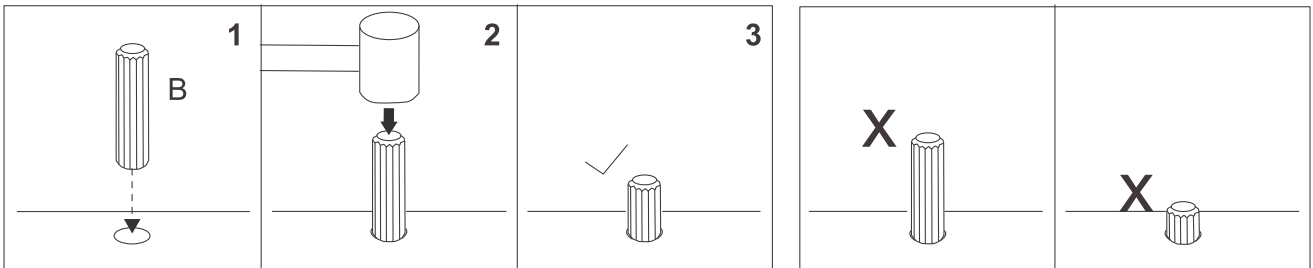


How to work the Knock Down (kd) assembly system

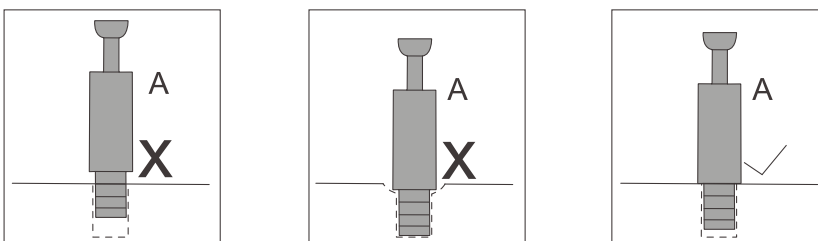


How to install Wood Dowel

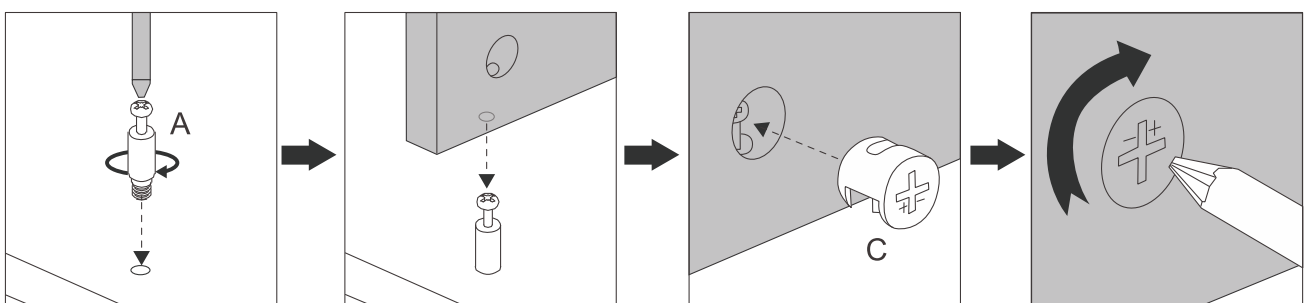
Insert the wood dowel [B] at least half way by tapping lightly with a rubber mallet, IF NECESSARY.



How to use the Cam Lock system



1. Screw the cam bolt [A] into the threaded insert on the panel.
2. Connect both panels together making sure cam bolt [A] goes into the pre-drilled large hole on the end of panel for cam lock [C].
3. Insert the cam lock [C] into the pre-drilled large hole on the panel. **Make sure the cross slot of cam lock [C] faces out.**
4. Rotate the cam lock [C] **clockwise** with a self-supplied philips screwdriver to lock the cam bolt [A] in place.

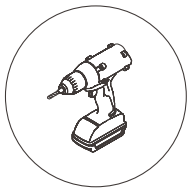


Now you are ready to assemble the nightstands

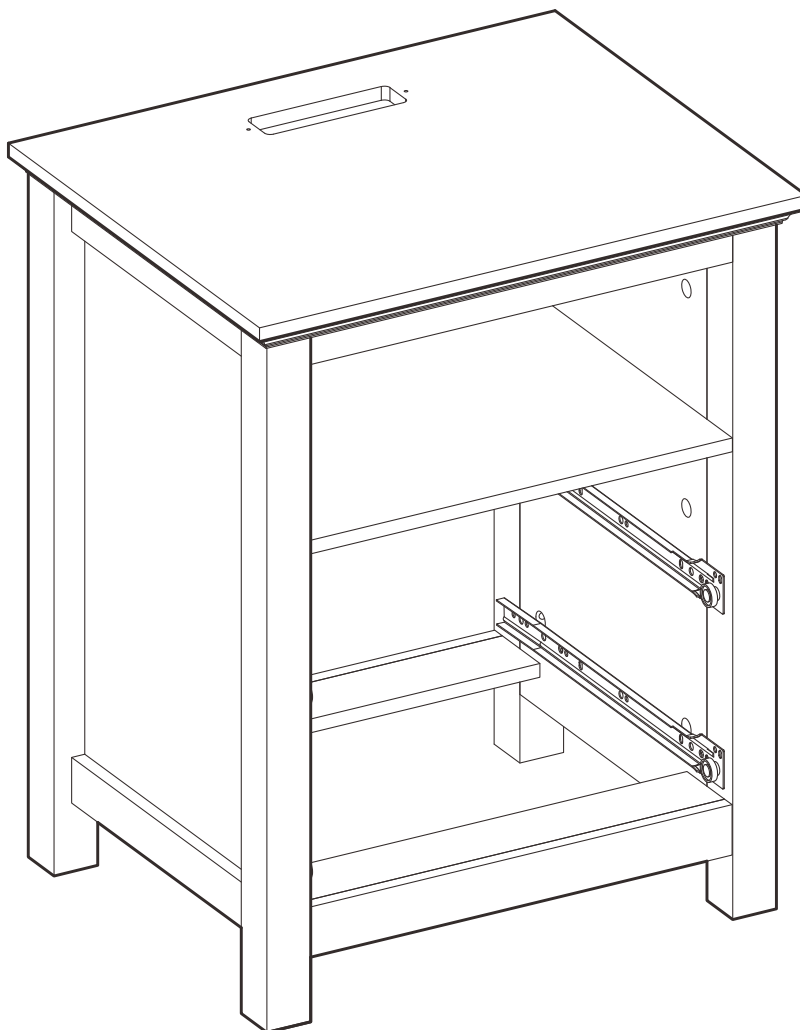
Before installing the product, observe the general structure.

It is divided into 5 parts in total:

1. Install the Boards and Slides (②&④&⑤&③&⑥&⑦)
2. Install the Top Panel (①) & Frame Part (⑧&⑨&⑩&⑬)
3. Install the Back Panel (⑪&⑫)
4. Install the Drawers
5. Install the Drawers Slides

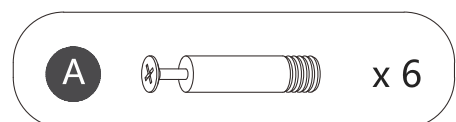
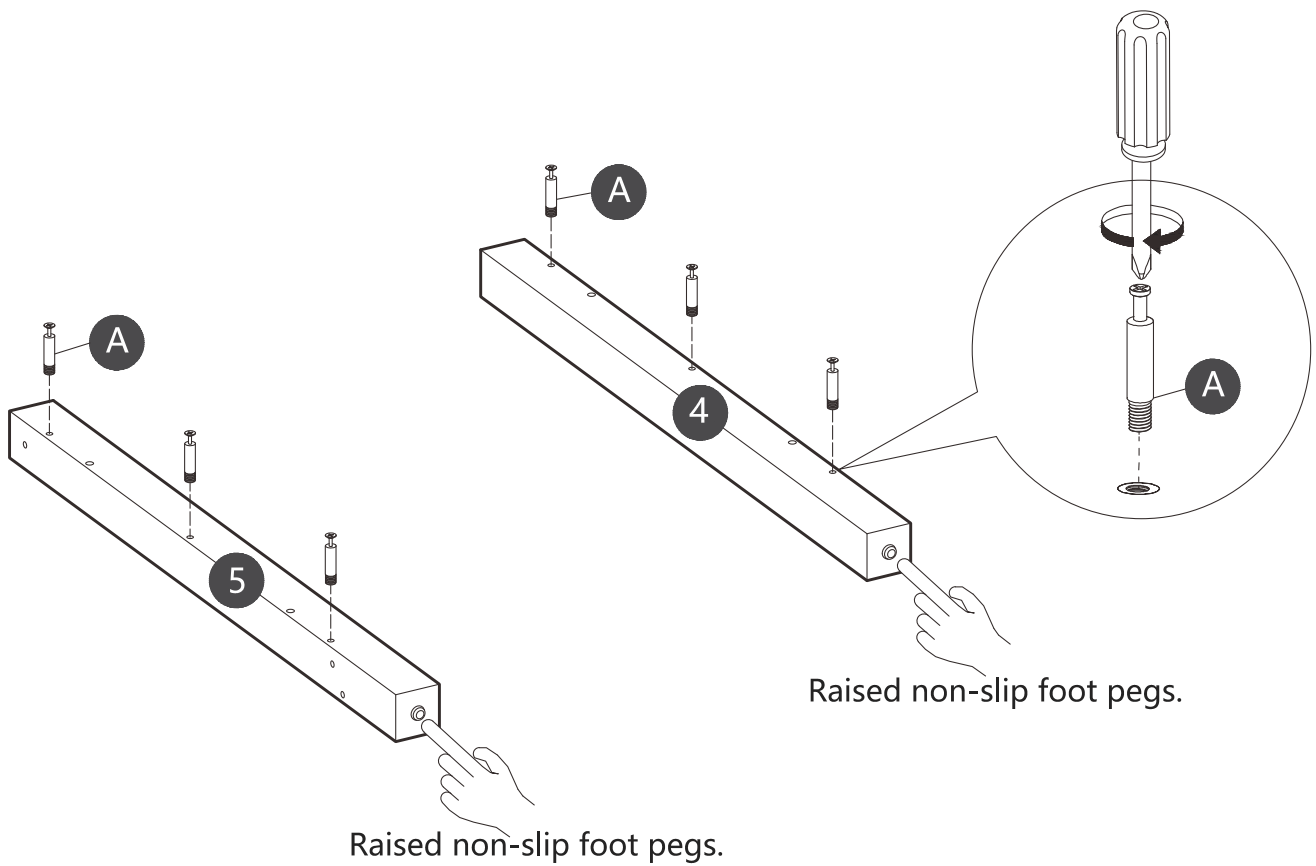


We recommend using a power drill to assemble.



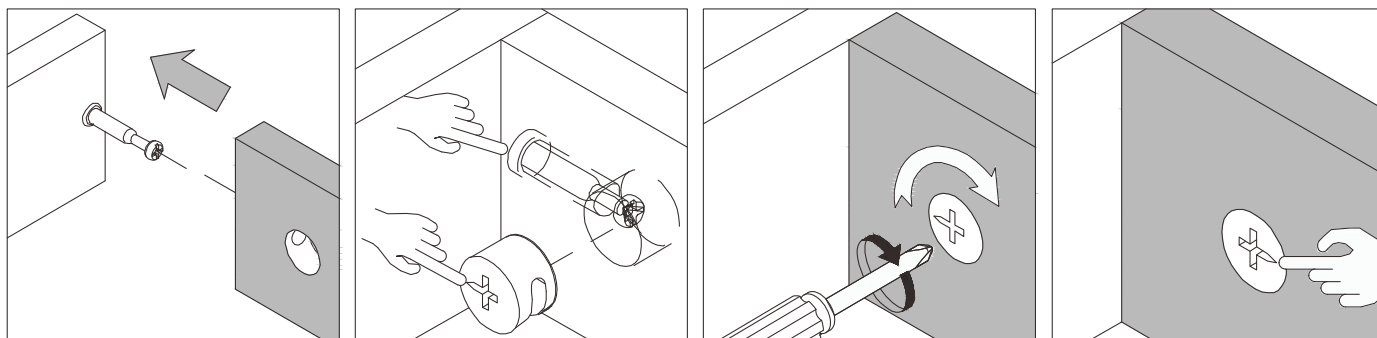
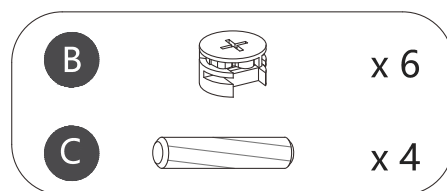
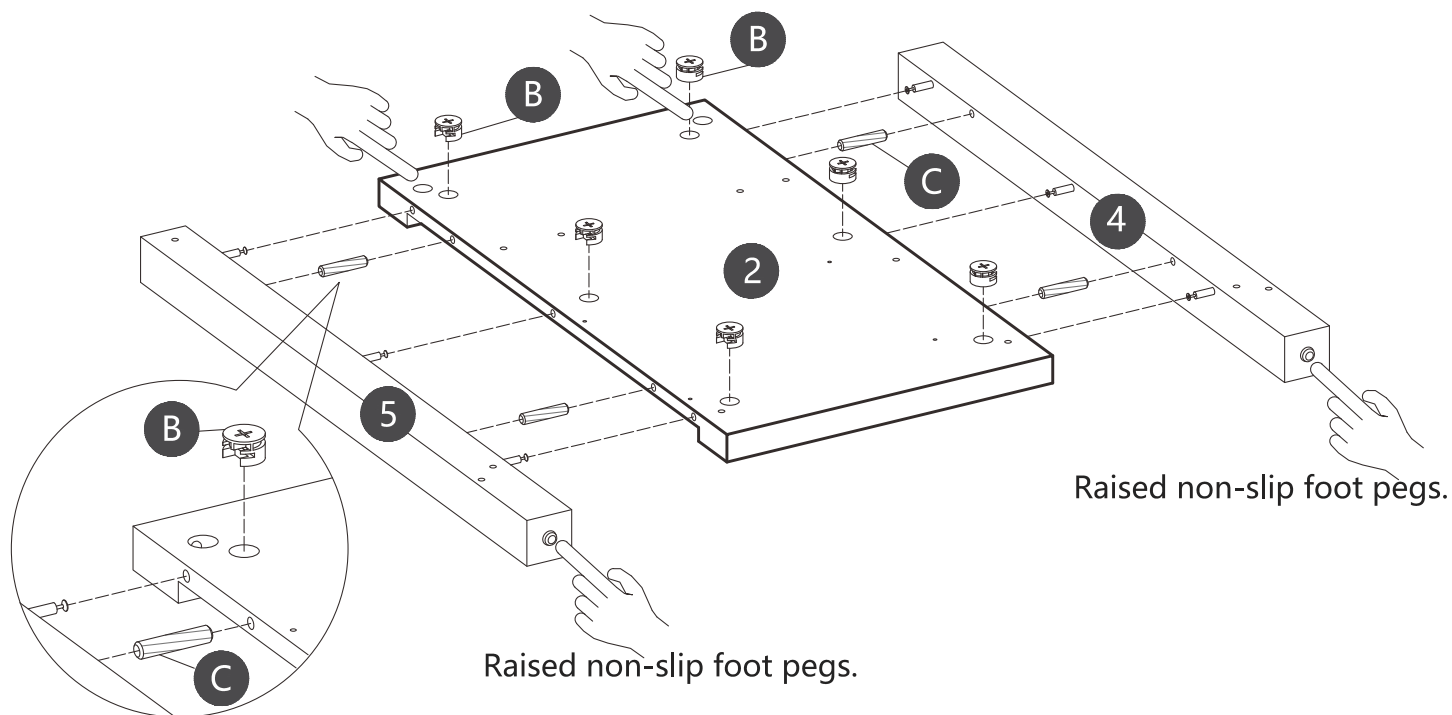
Step 1

Securing Cam Bolt (A) into Board (④&⑤).



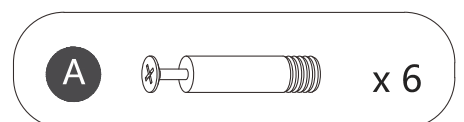
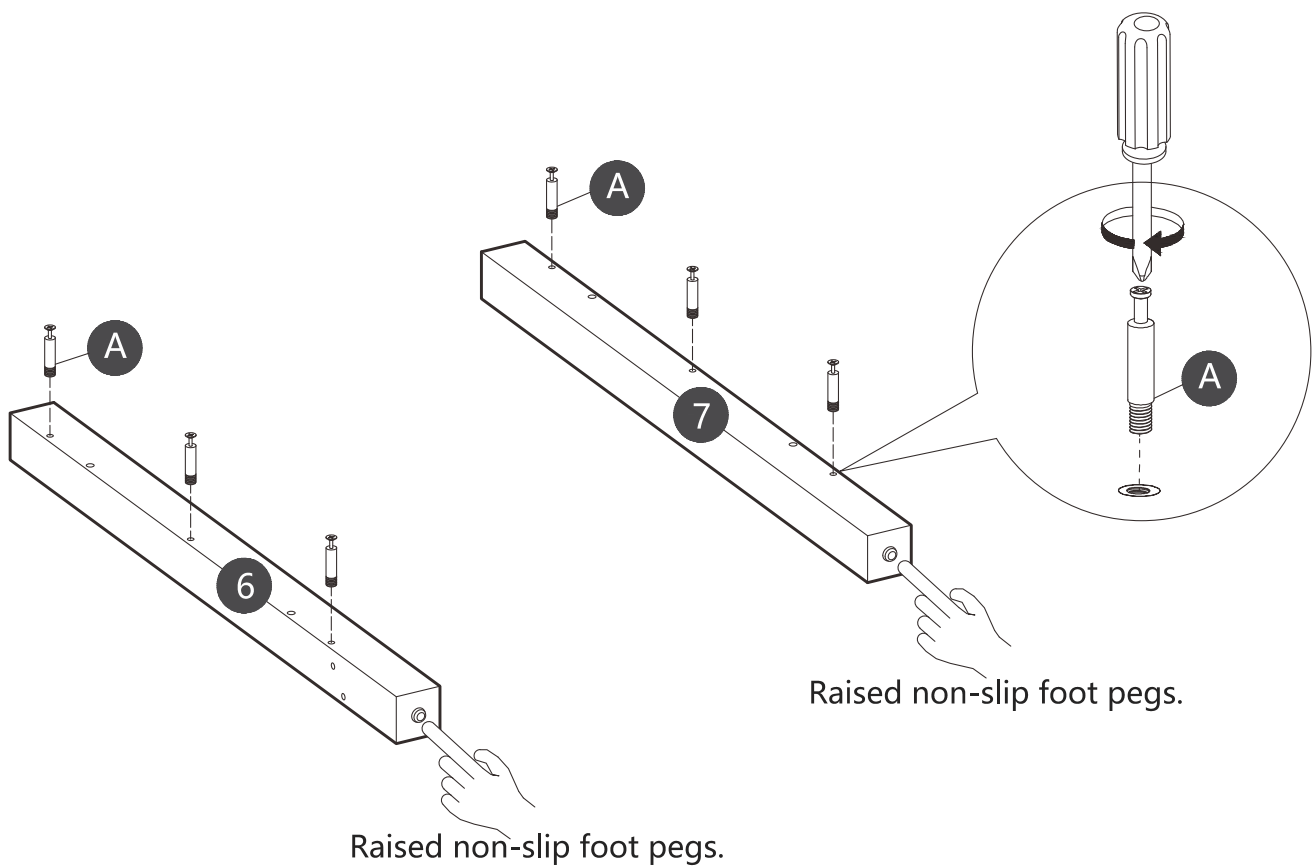
Step 2

Inserting Wooden Dowel (C) into Board (2), then attach Board (4&5) to Board (2).
Using Cam Lock (B) secure Board (4&5) to Board (2).



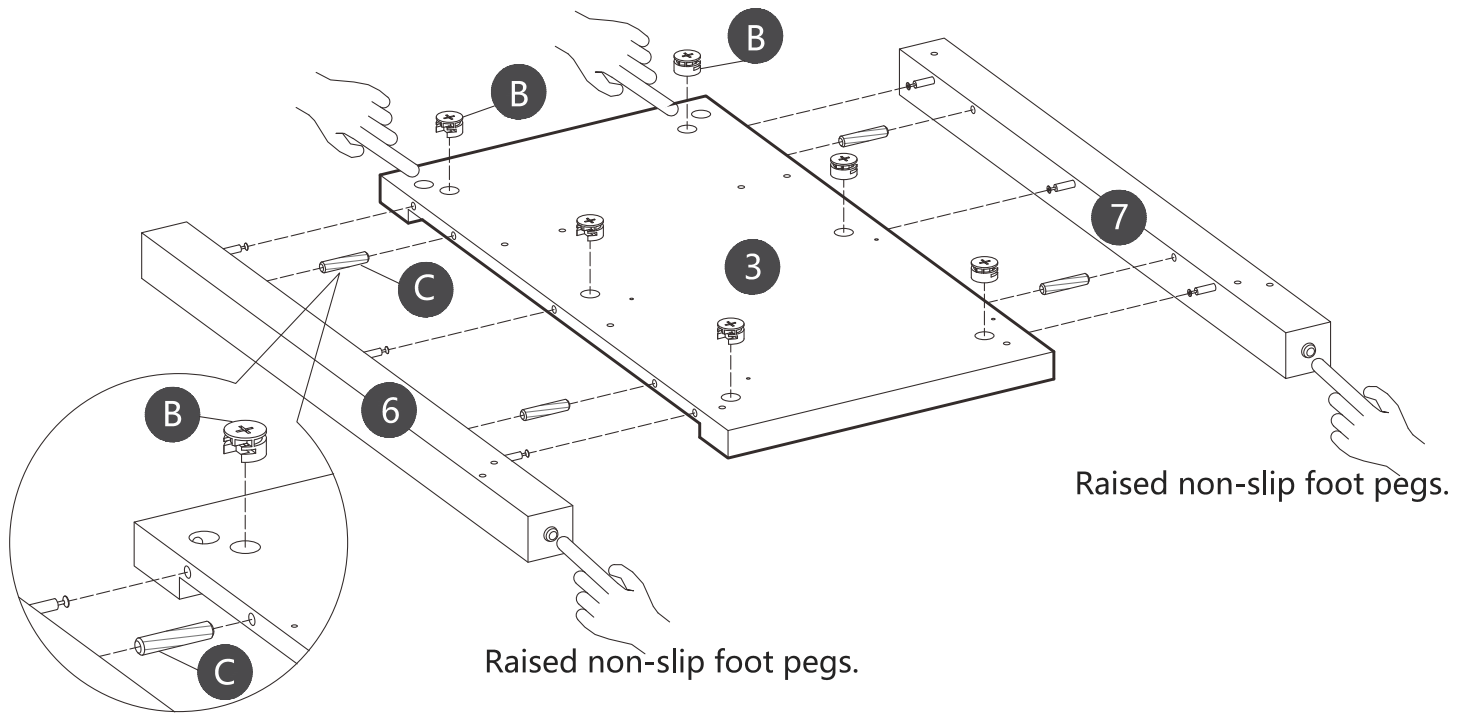
Step 3

Securing Cam Bolt (A) into Board (⑥&⑦).

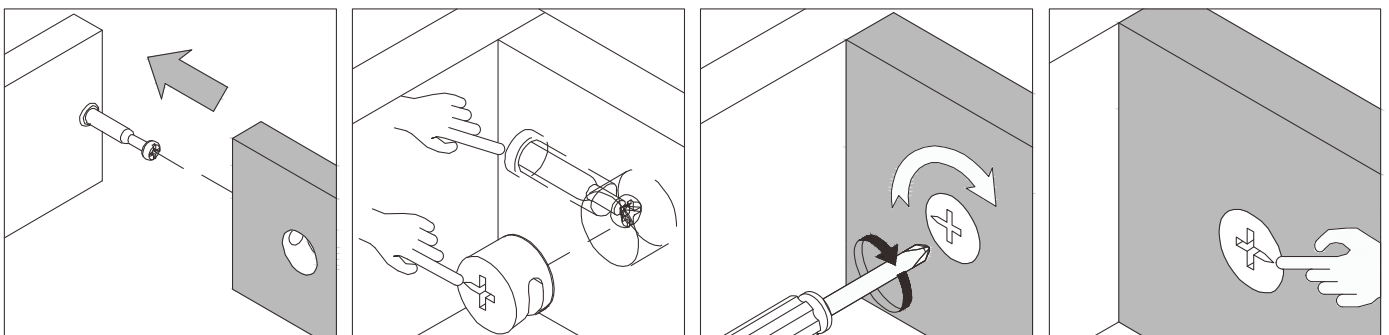


Step 4

Inserting Wooden Dowel (C) into Board (3), then attach Board (6&7) to Board (3).
Using Cam Lock (B) secure Board (6&7) to Board (3).



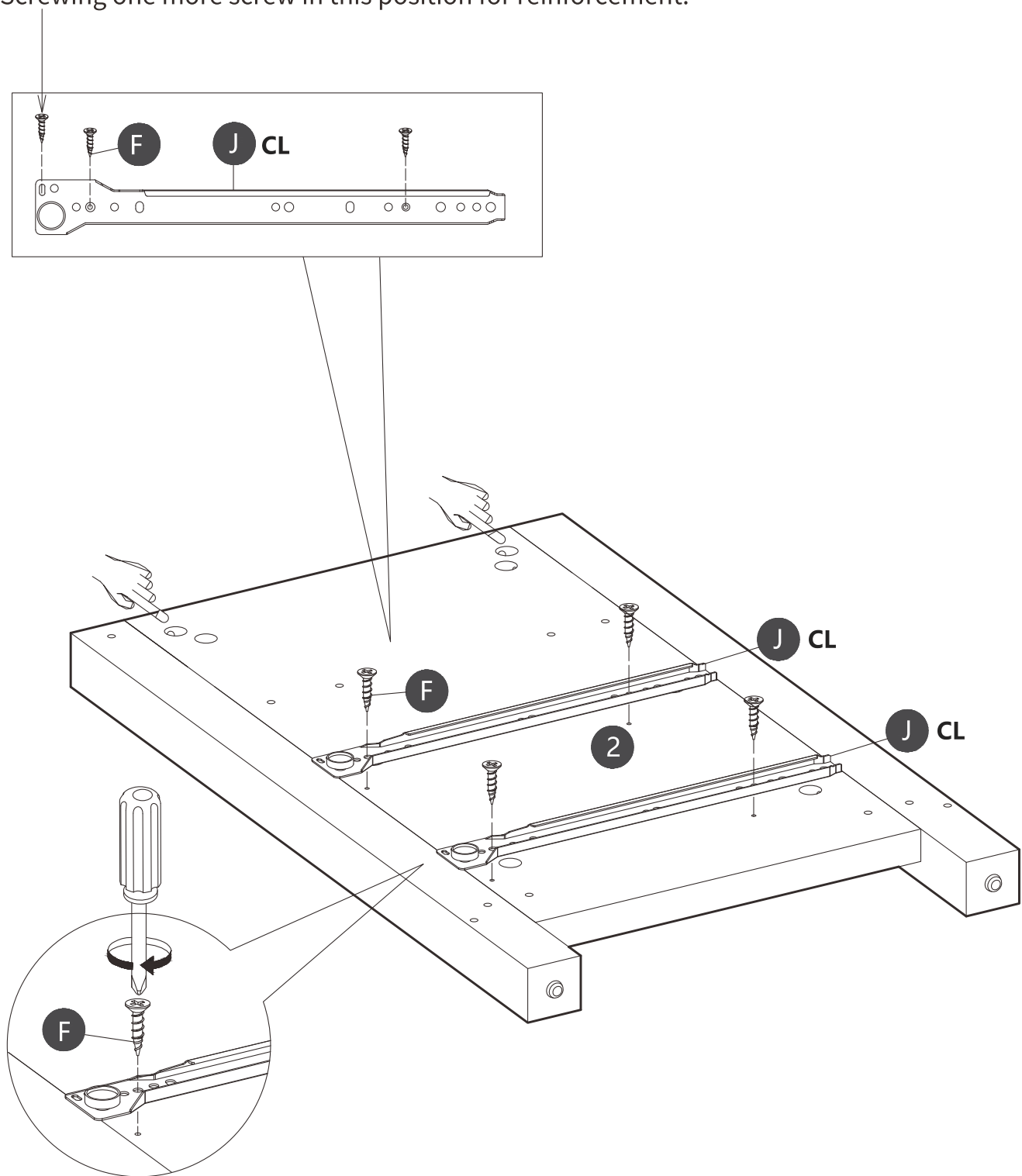
- | | | |
|----------|--|-----|
| B | | x 6 |
| C | | x 4 |



Step 5

Using Screws (F) to assemble Slide (CL) to Board (2).

Screwing one more screw in this position for reinforcement.

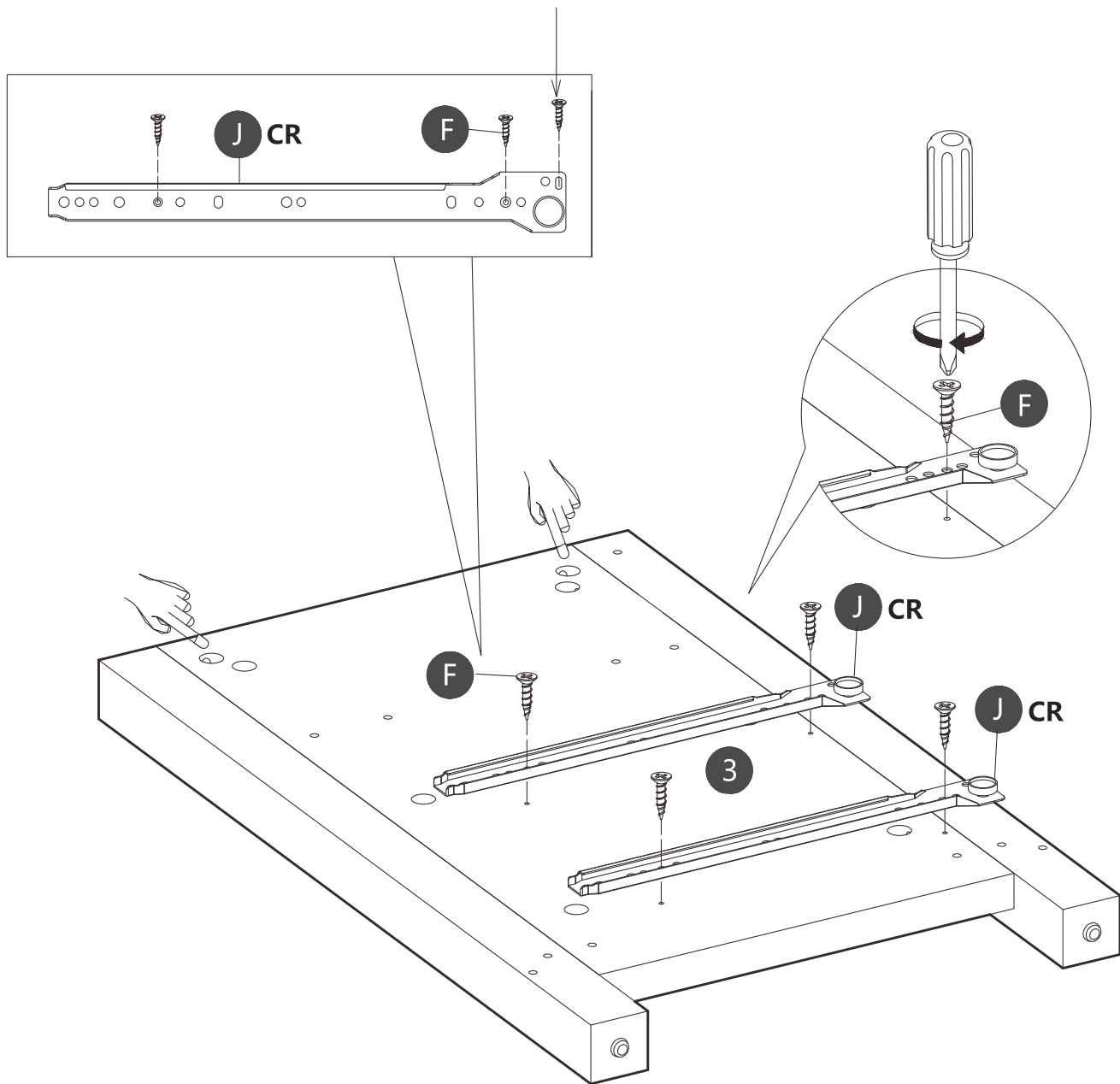


| | | |
|---|--|--------|
| F | | X 6 |
| J | | CL x 2 |

Step 6

Using Screws (F) to assemble Slide (CR) to Board (③).

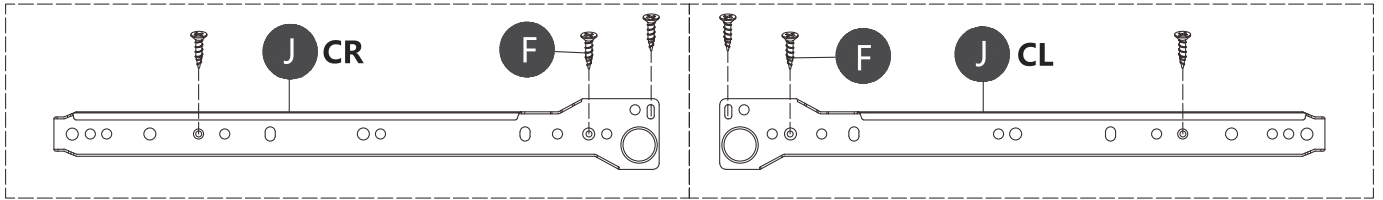
Screwing one more screw in this position for reinforcement.



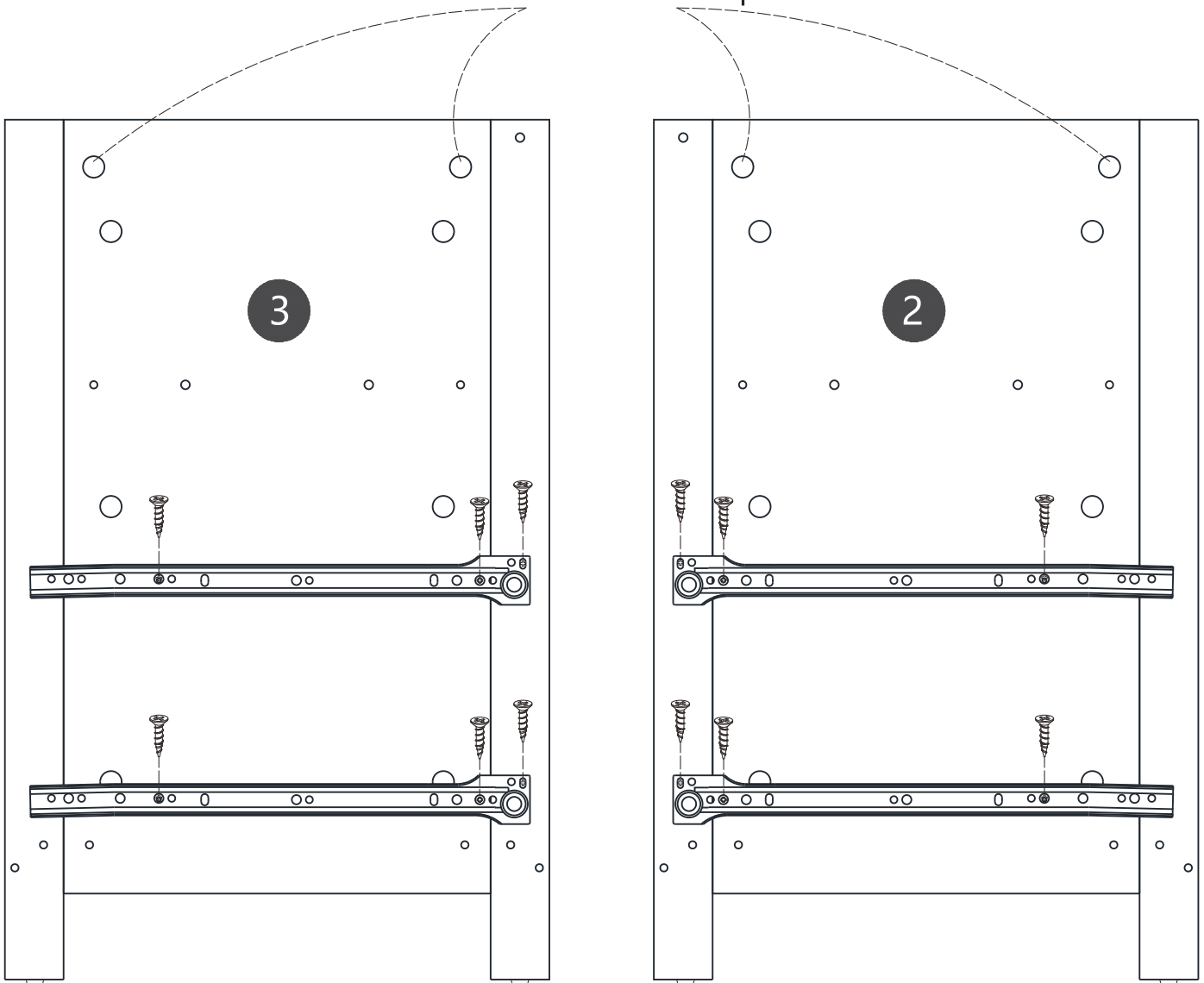
- | | | |
|---|--|--------|
| F | | X 6 |
| J | | CR x 2 |

Display.Non-installation steps

Reference to the completion of the installation:
checking the position of the slides and screws in the board.



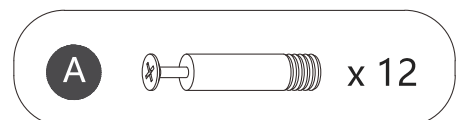
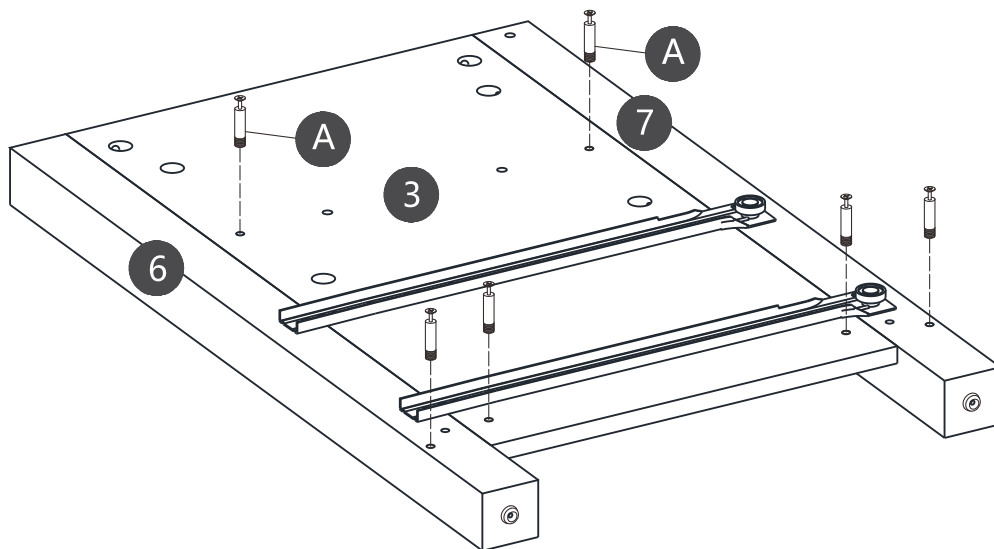
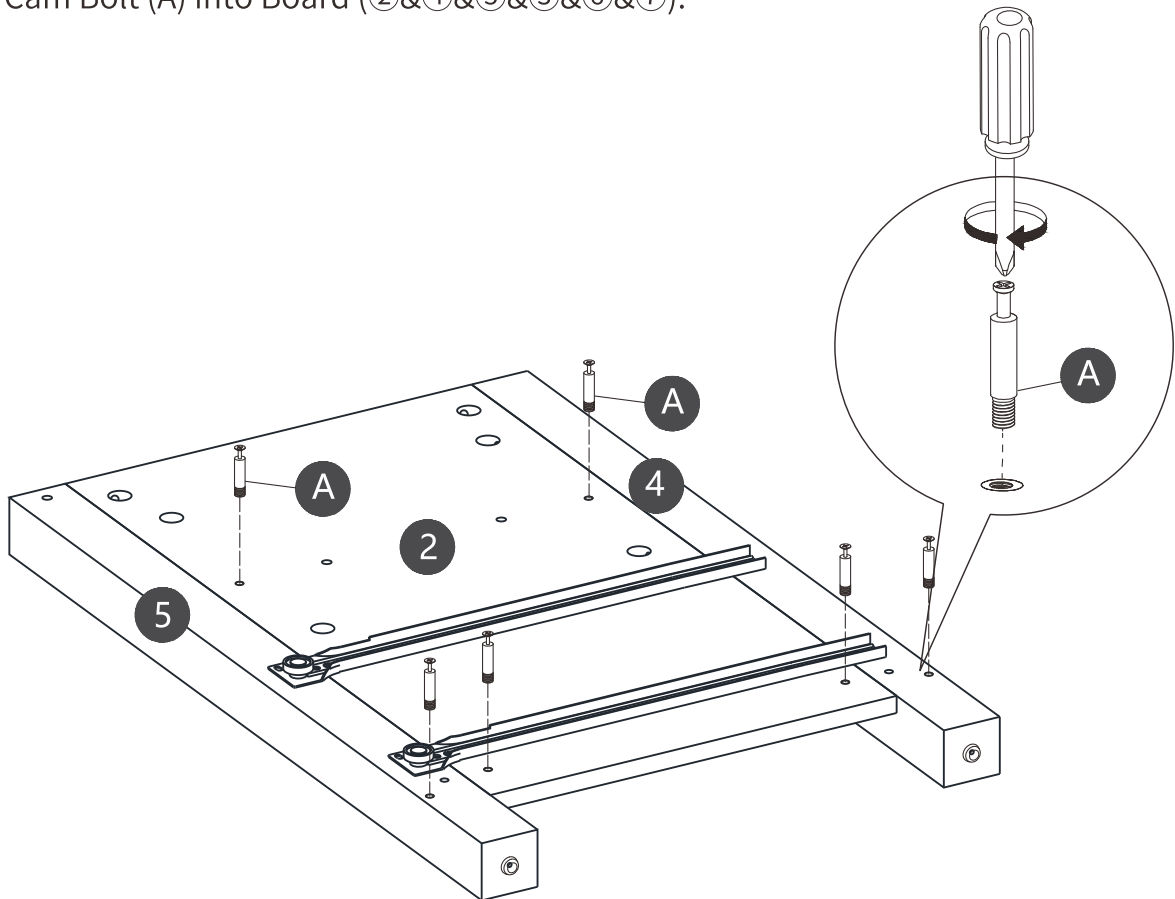
Please make sure the pre-drilled
holes are on the top.



TIP:The screws for the slide must be tightened very tightly, and don't tilt the screws, otherwise the drawers will get stuck and won't fit in.

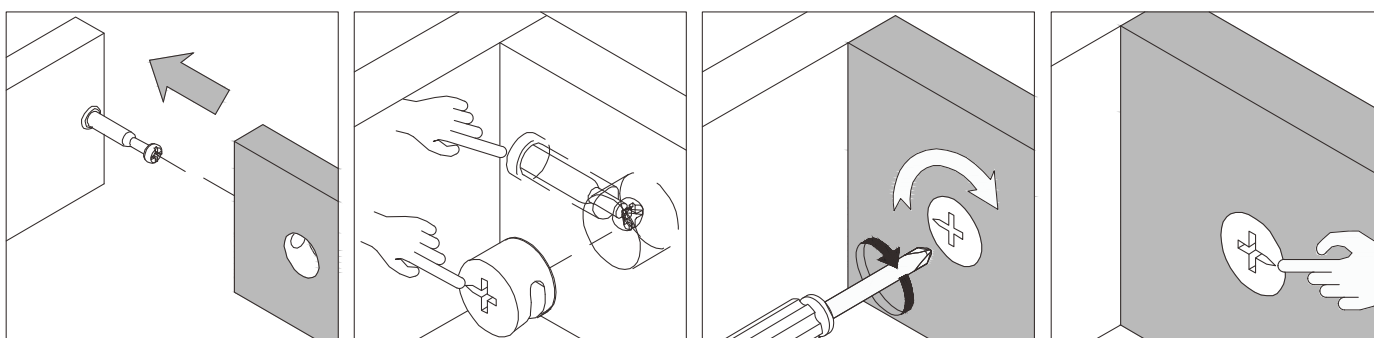
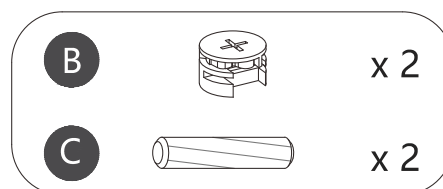
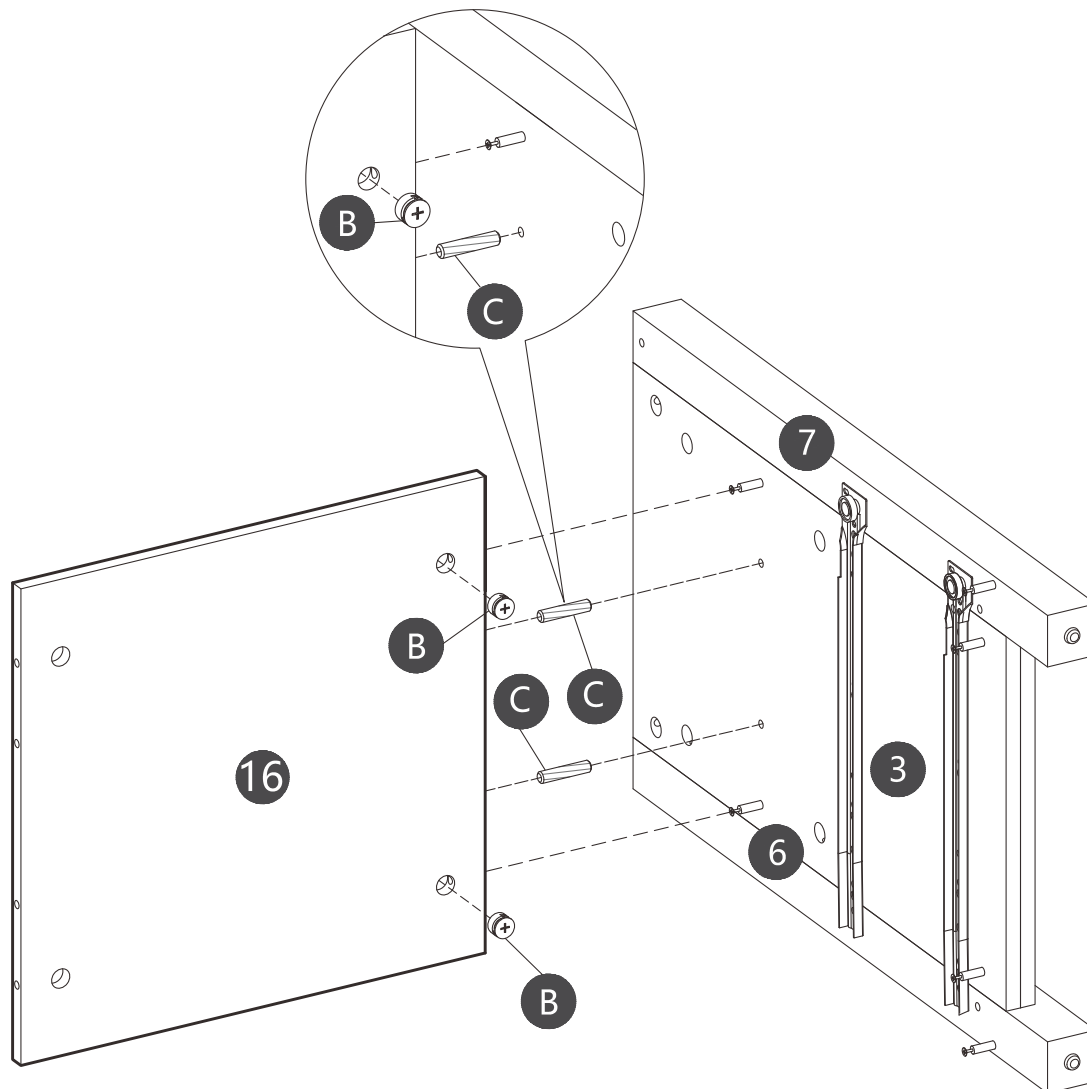
Step 7

Securing Cam Bolt (A) into Board (②&④&⑤&③&⑥&⑦).



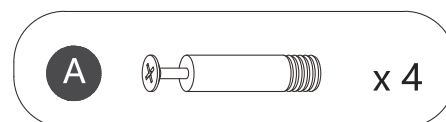
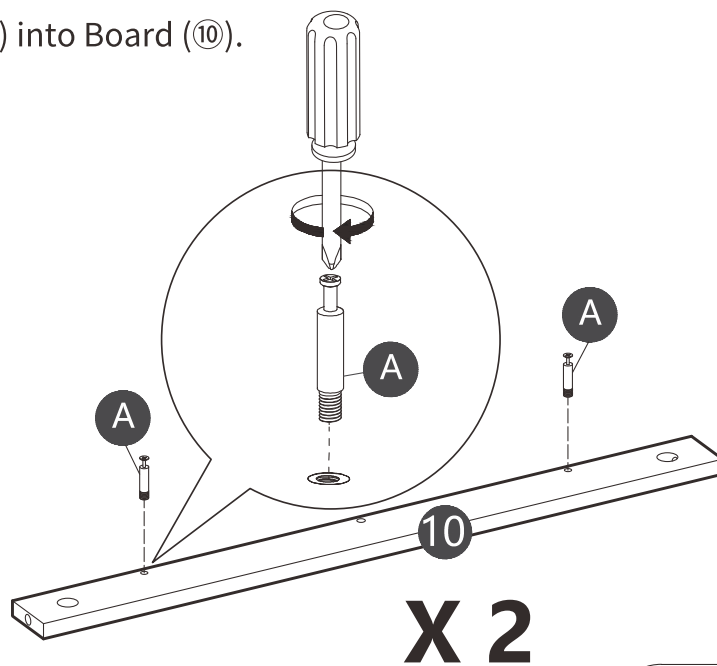
Step 8

Inserting Wooden Dowel (C) into Board (3), then attach Board (16) to Board (3).
Using Cam Lock (B) secure Board (16) to Board (3).



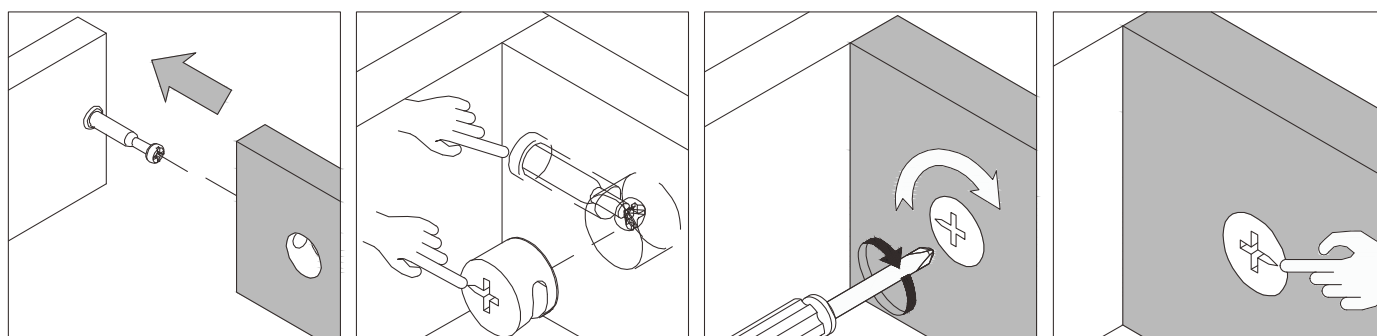
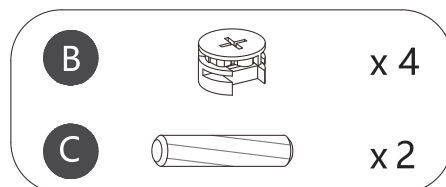
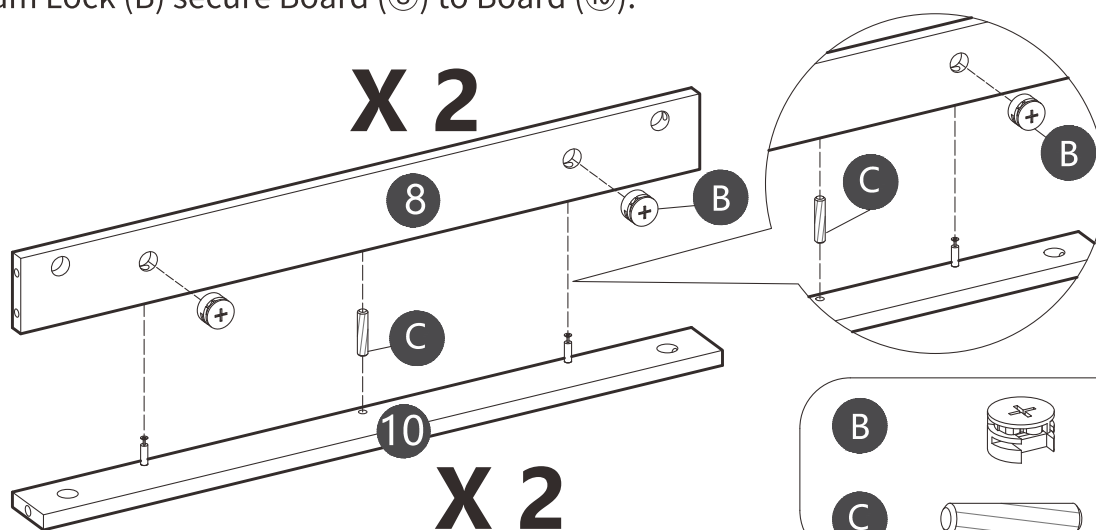
Step 9

Securing Cam Bolt (A) into Board (10).



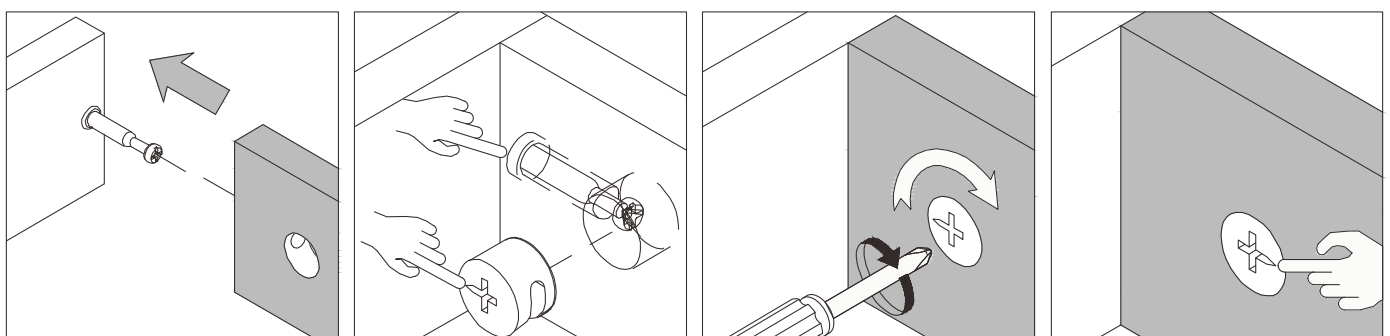
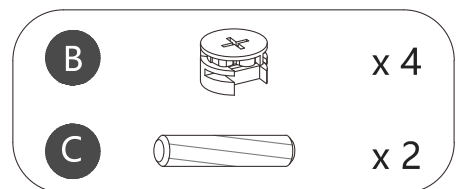
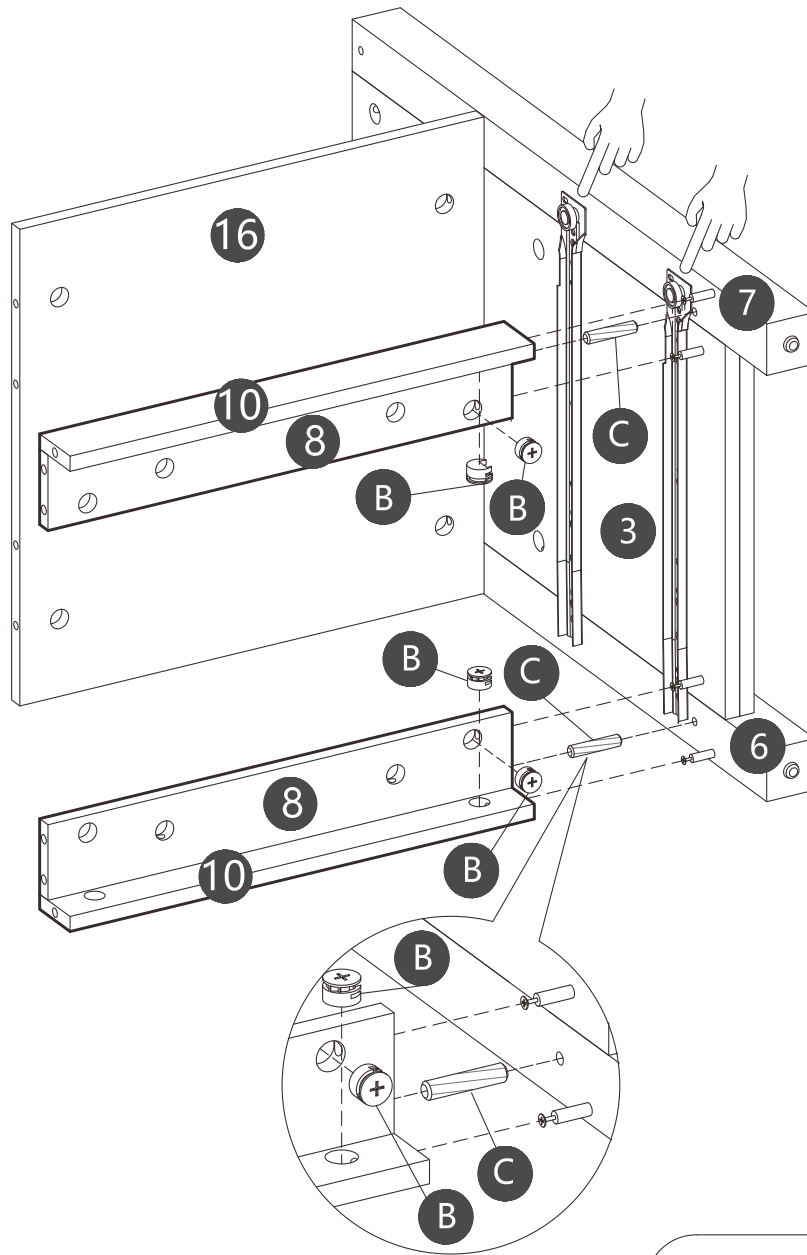
Step 10

Inserting Wooden Dowel (C) into Board (10), then attach Board (8) to Board (10). Using Cam Lock (B) secure Board (8) to Board (10).



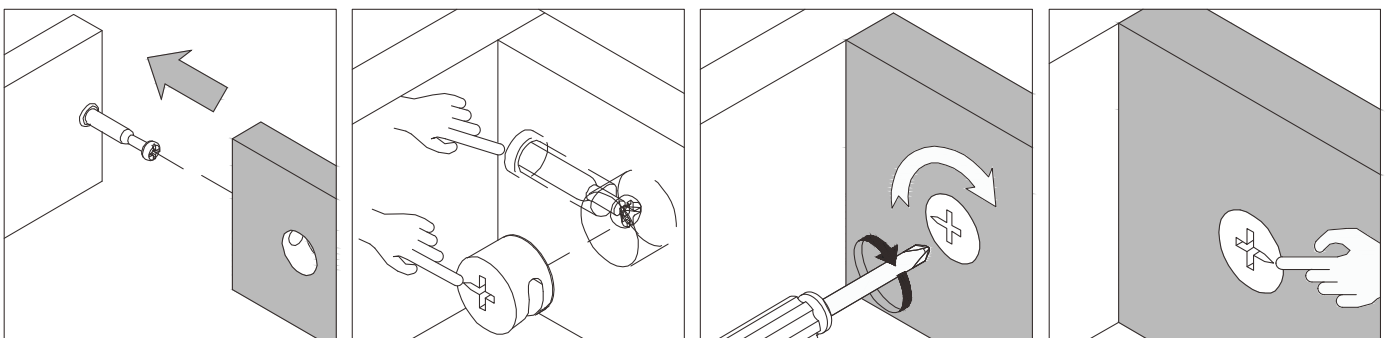
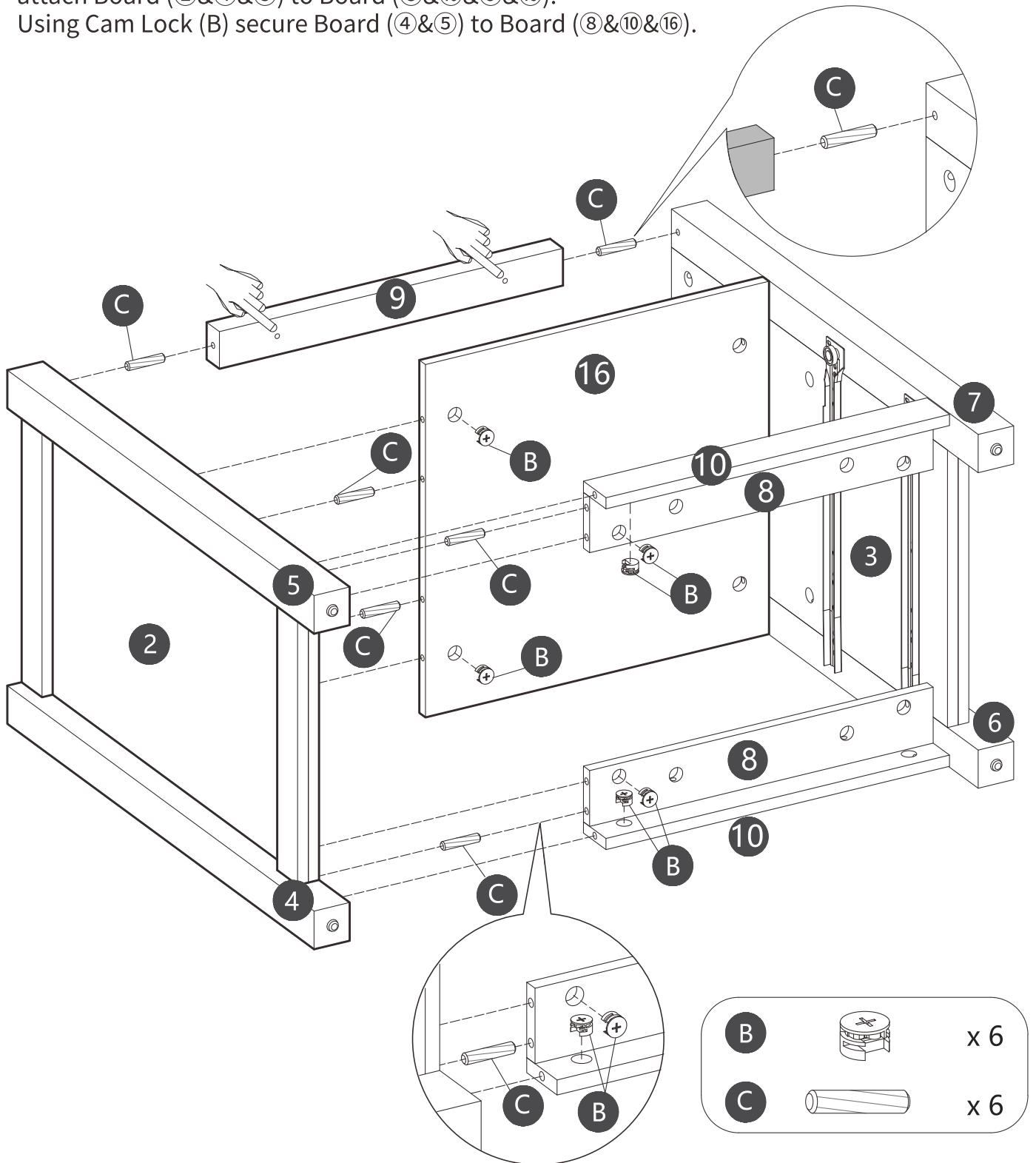
Step 11

Inserting Wooden Dowel (C) into Board (6&7), then attach Board (8&10) to Board (3&6&7). Using Cam Lock (B) secure Board (8&10) to Board (3&6&7).



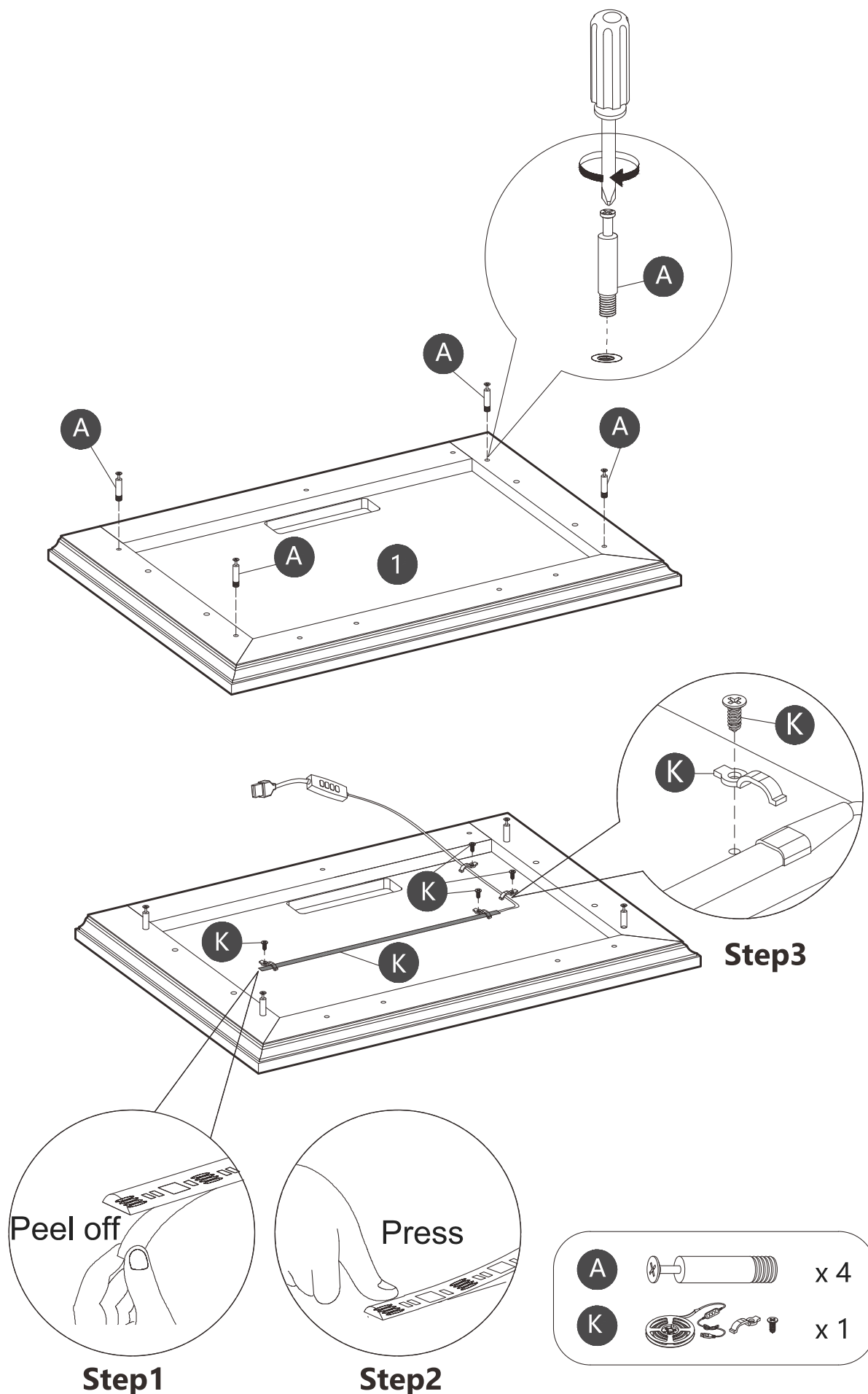
Step 12

Inserting Wooden Dowel (C) into Board (②&④&⑤&⑦), then attach Board (⑨) to Board (⑦), attach Board (②&④&⑤) to Board (⑧&⑩&⑨&⑬). Using Cam Lock (B) secure Board (④&⑤) to Board (⑧&⑩&⑬).



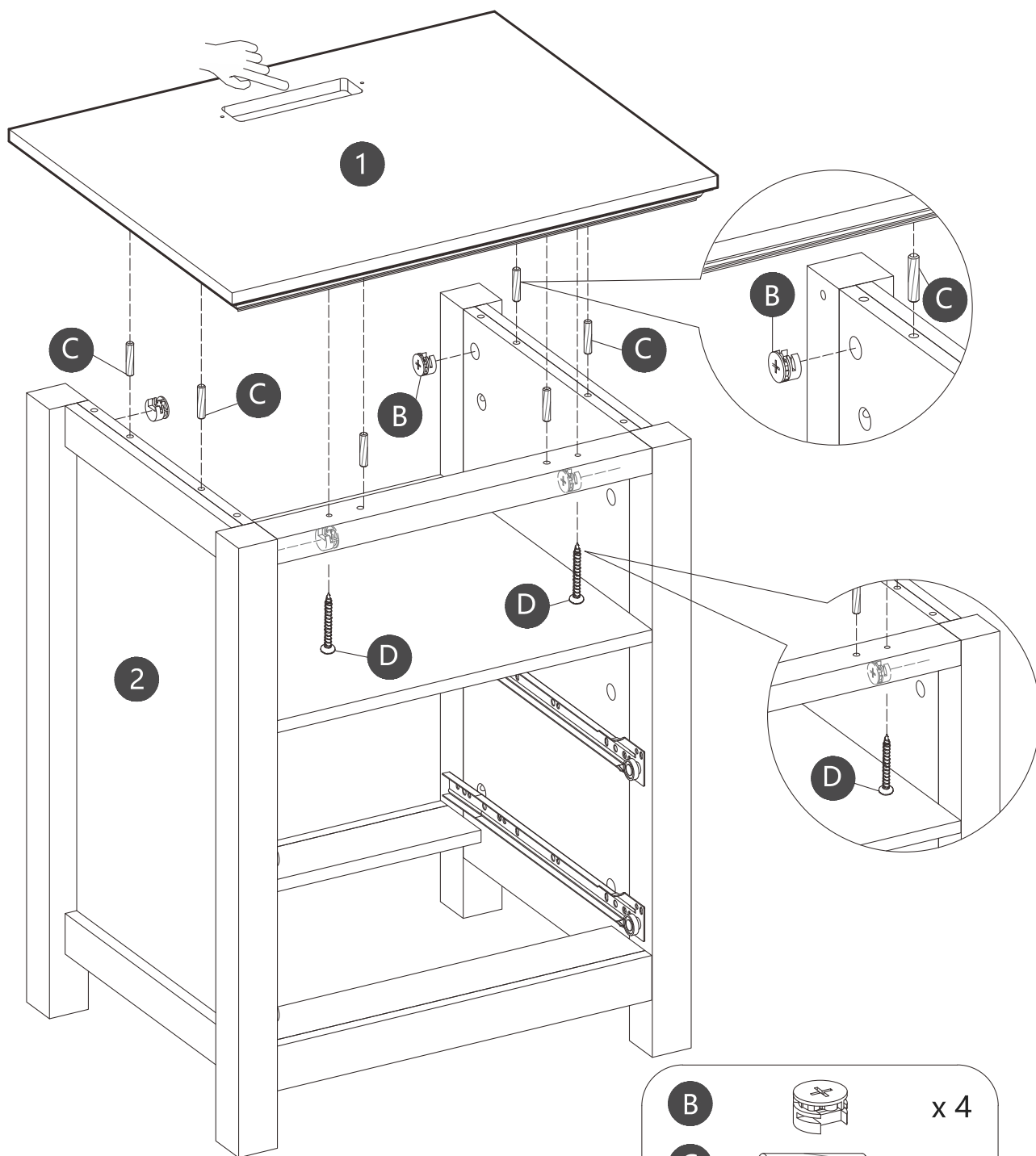
Step 13




Securing Cam Bolt (A) into Board (①). Using Screws (K) secure Light Strip to Board (①).

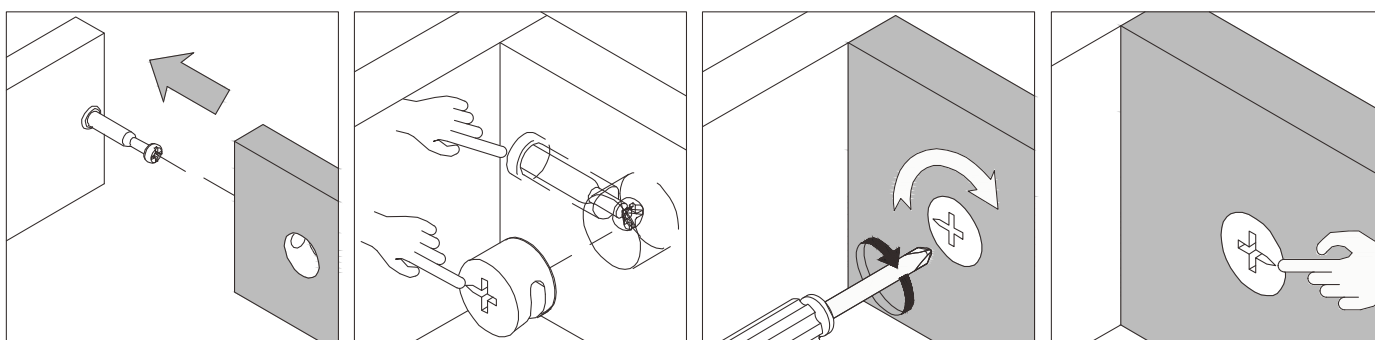


Step 14

Insert the Dowel (C) into the dresser frame, then attach Board (①) to main body. Use Cam Lock (B) to tighten the Board (①) with main dresser frame.



- | | | |
|---|---|-----|
| B |  | x 4 |
| C |  | x 6 |
| D |  | x 2 |

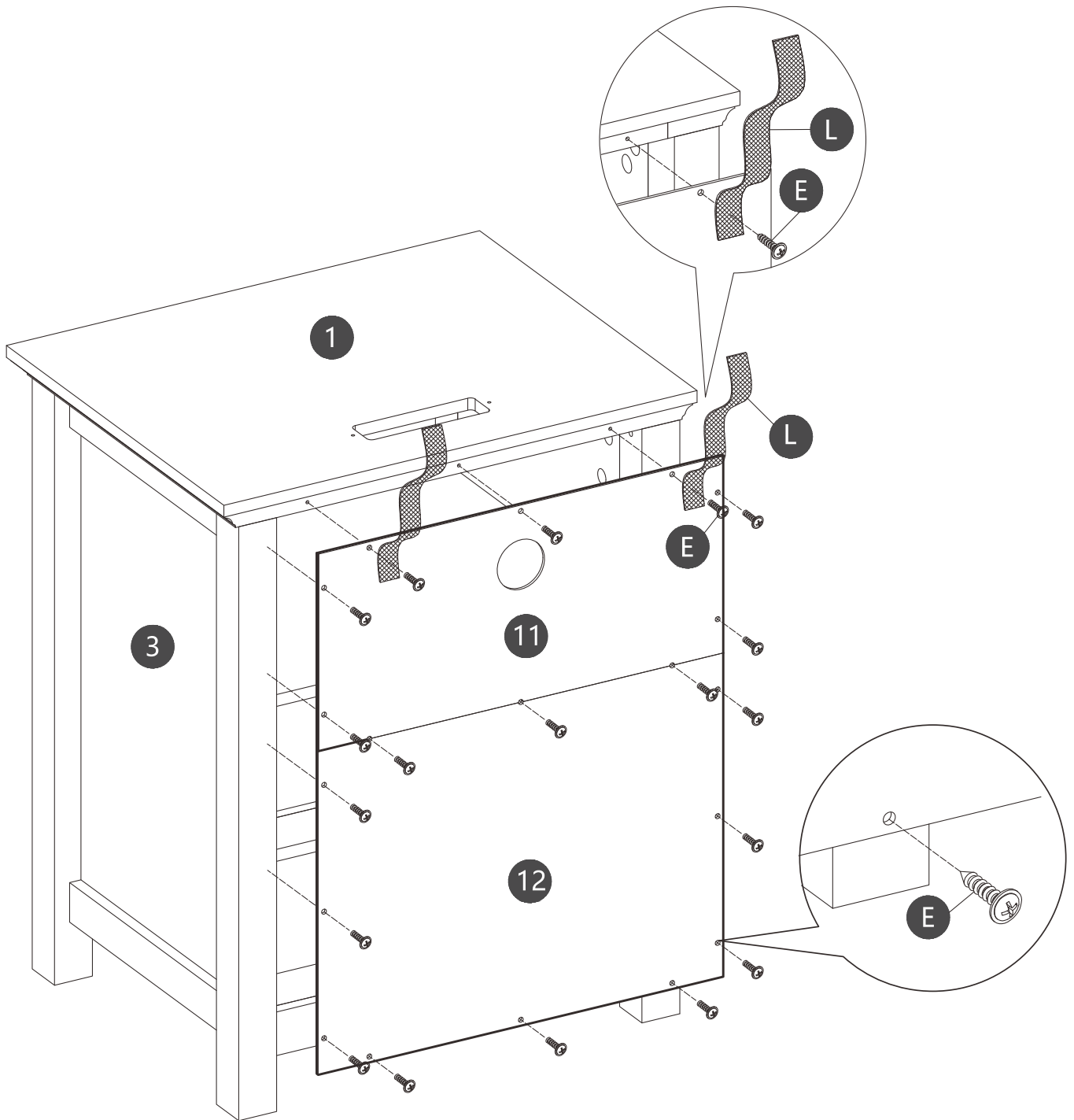




Step 15

Please install the back panel by turning the nightstands upside down.

Only the top #1 panel has pre-drilled holes, just align the pre-drilled holes in the #1 panel first, then install the back panel from top to bottom.

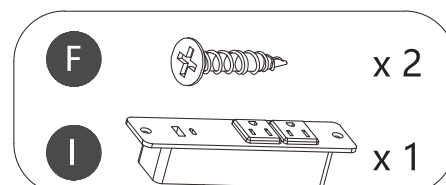
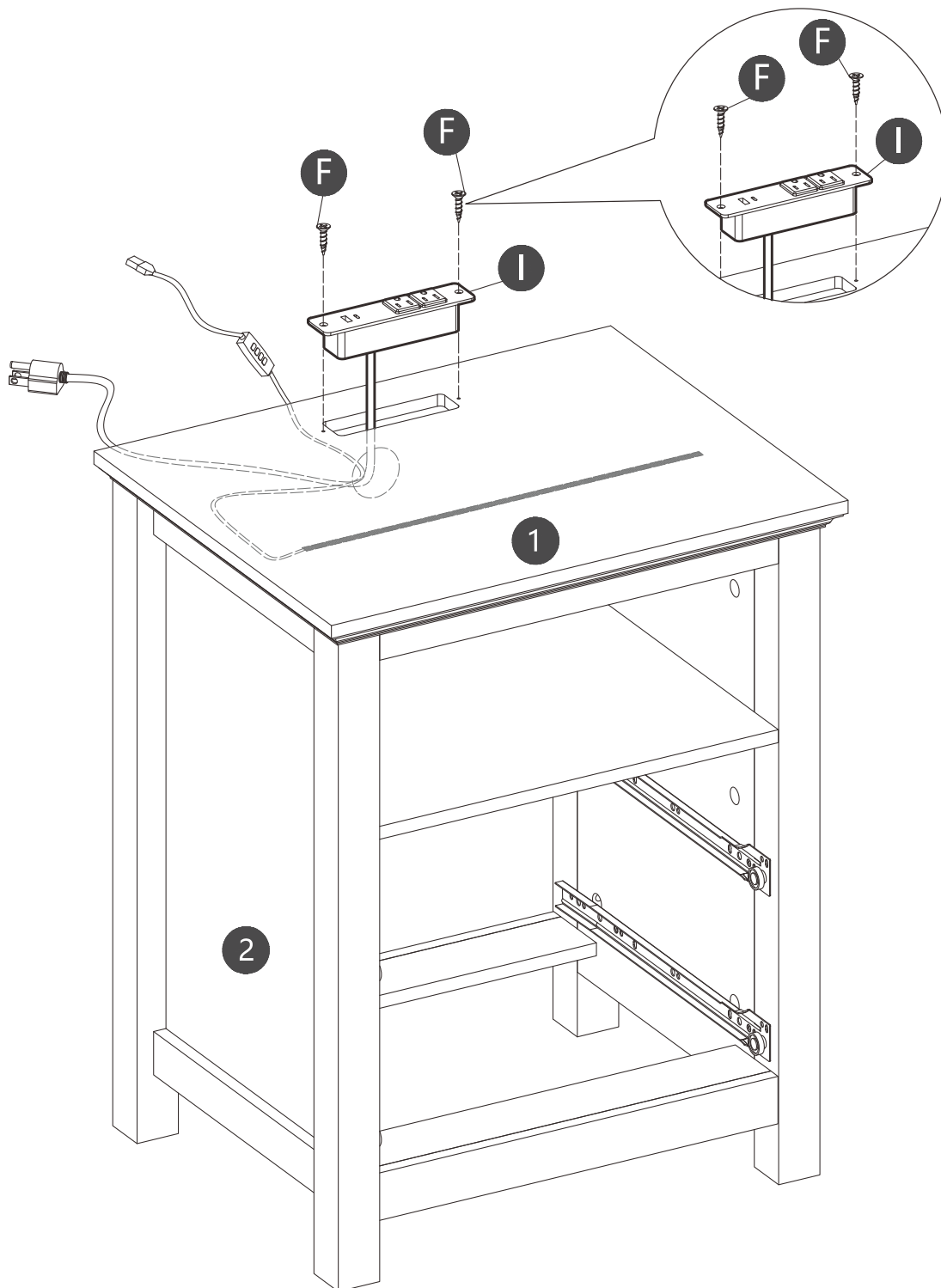
Using Screws (E) through Anti-tipping Belt (L) to assemble Back Panels (11&12) to the main body.



| | | |
|----------|---|------|
| E |  | x 19 |
| L |  | x 2 |

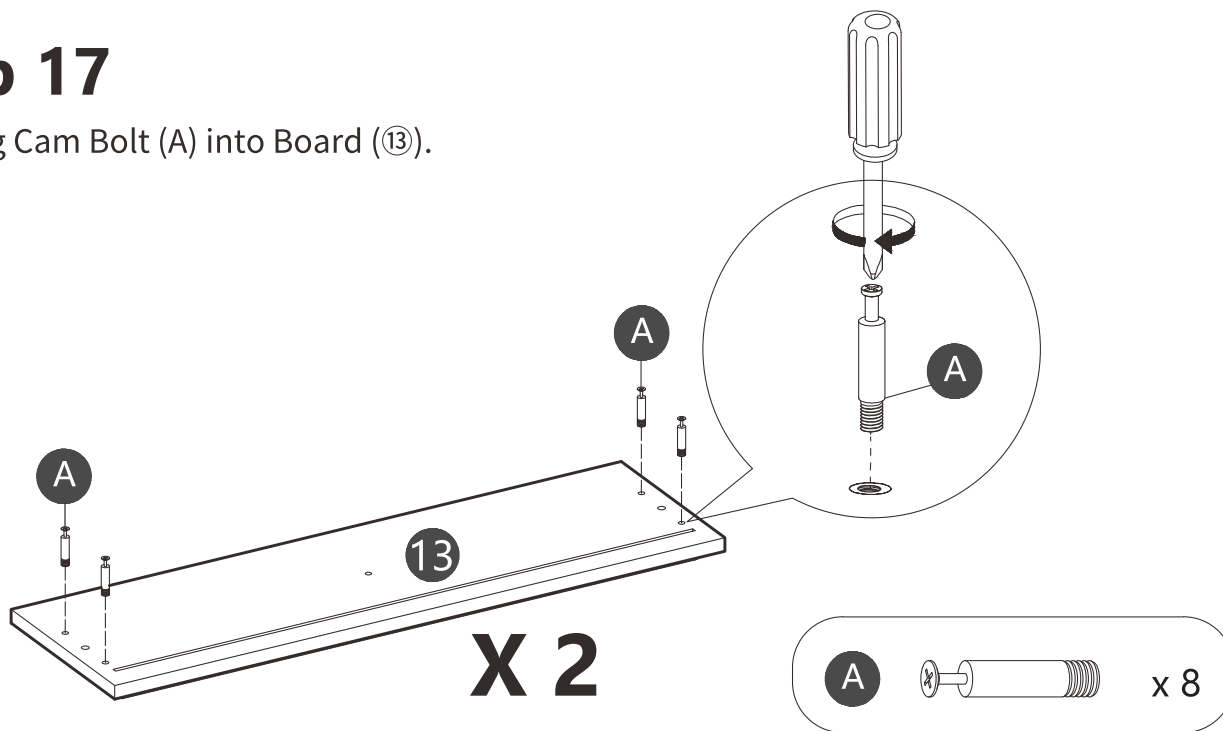
Step 16

Using Screws (F) secure Charger Station (I) to Board (1).
Route the wires through the back large pre-drilled hole.



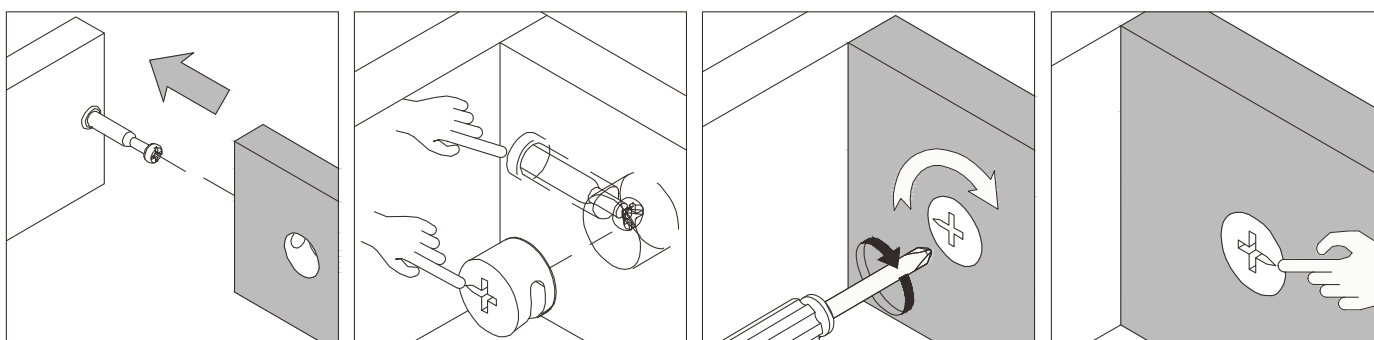
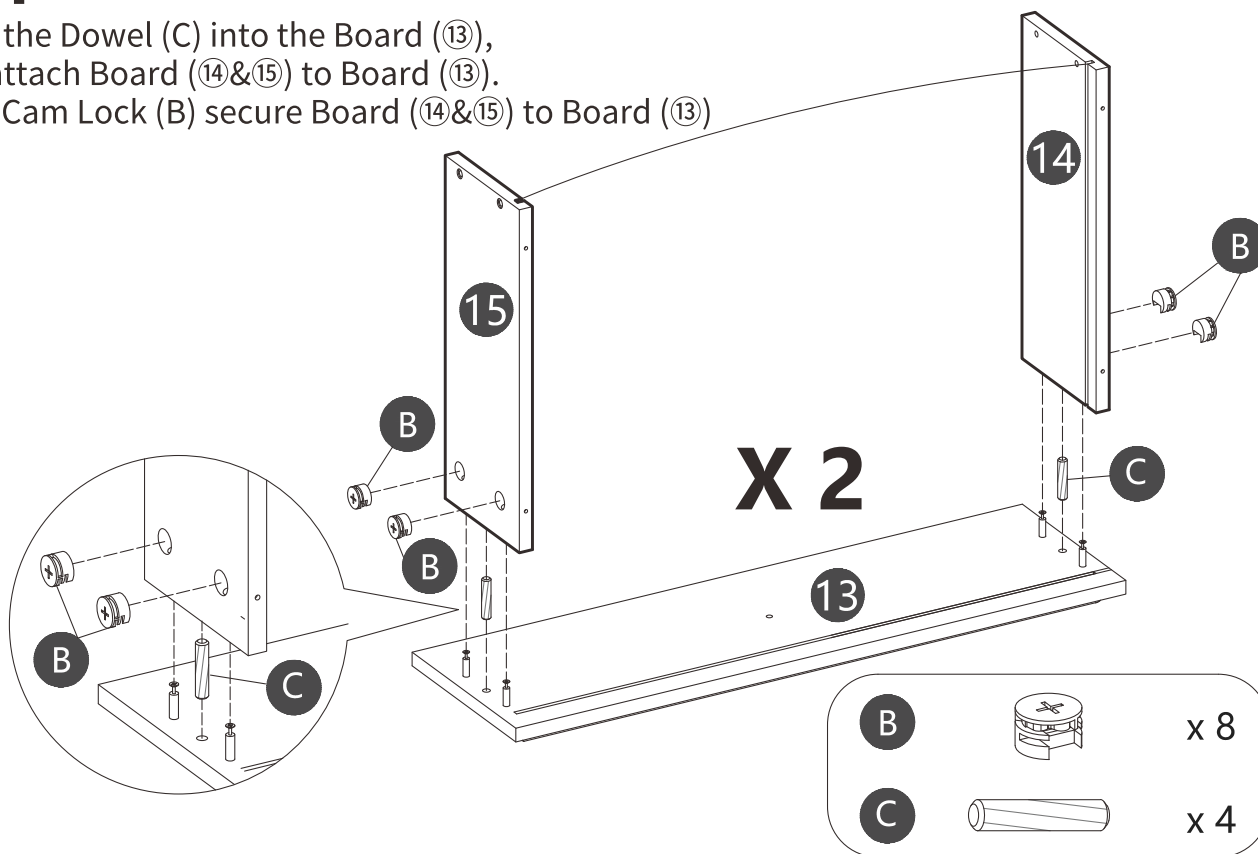
Step 17

Securing Cam Bolt (A) into Board (13).



Step 18

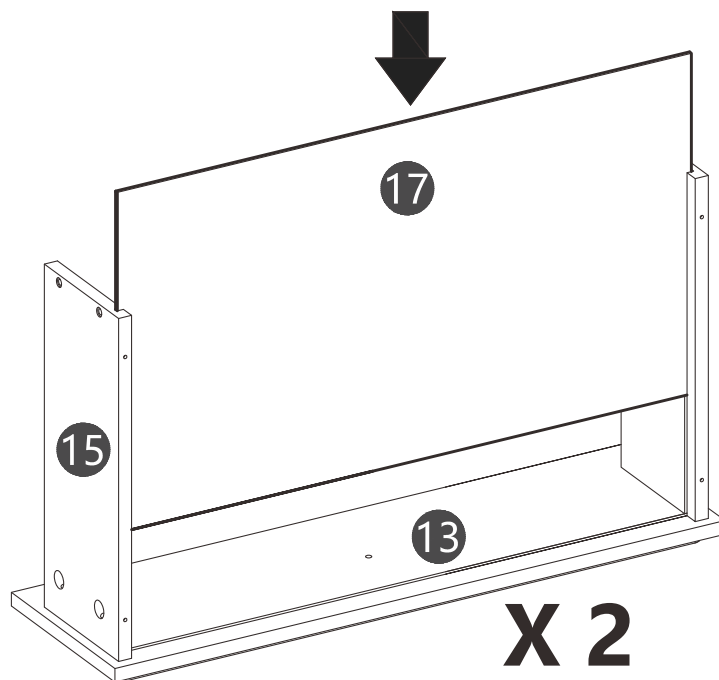
Insert the Dowel (C) into the Board (13), then attach Board (14&15) to Board (13). Using Cam Lock (B) secure Board (14&15) to Board (13)



Step 19

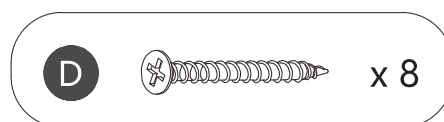
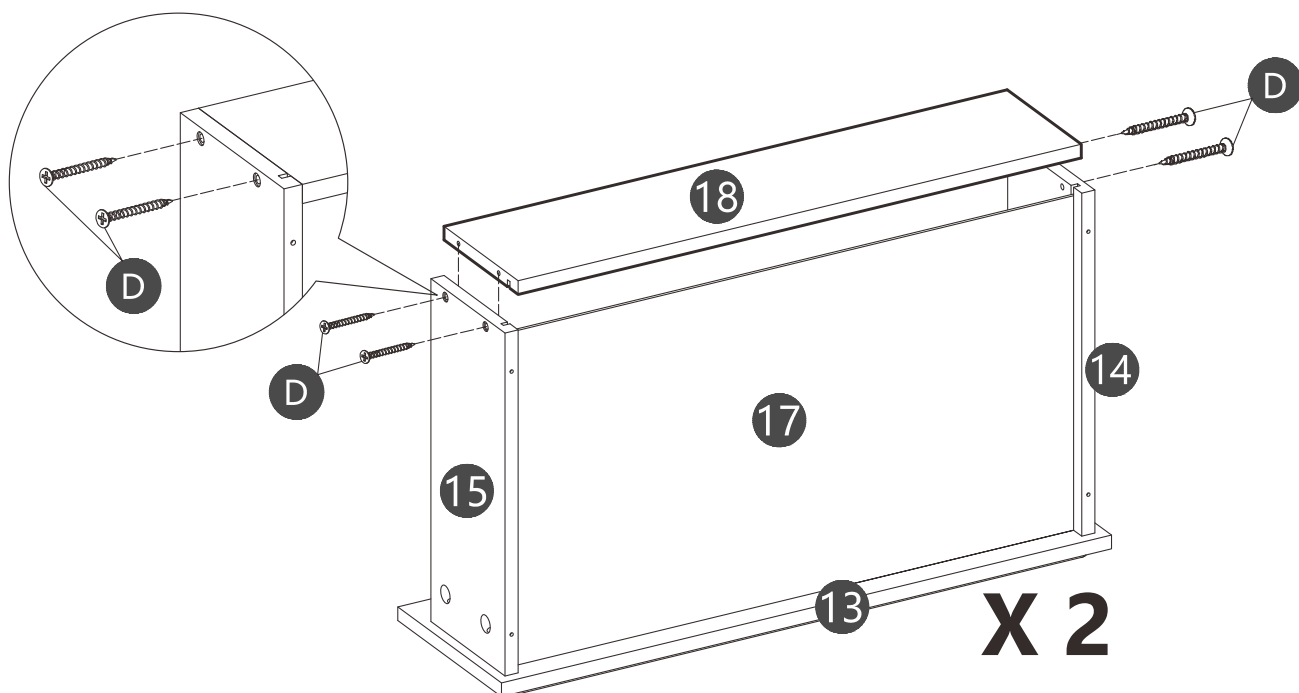
Sliding drawer bottom panels (17) into grooves.

Be careful not to reverse the direction of the base plate causing the base plate to not fit, if it doesn't fit try adjusting the direction of the base plate.



Step 20

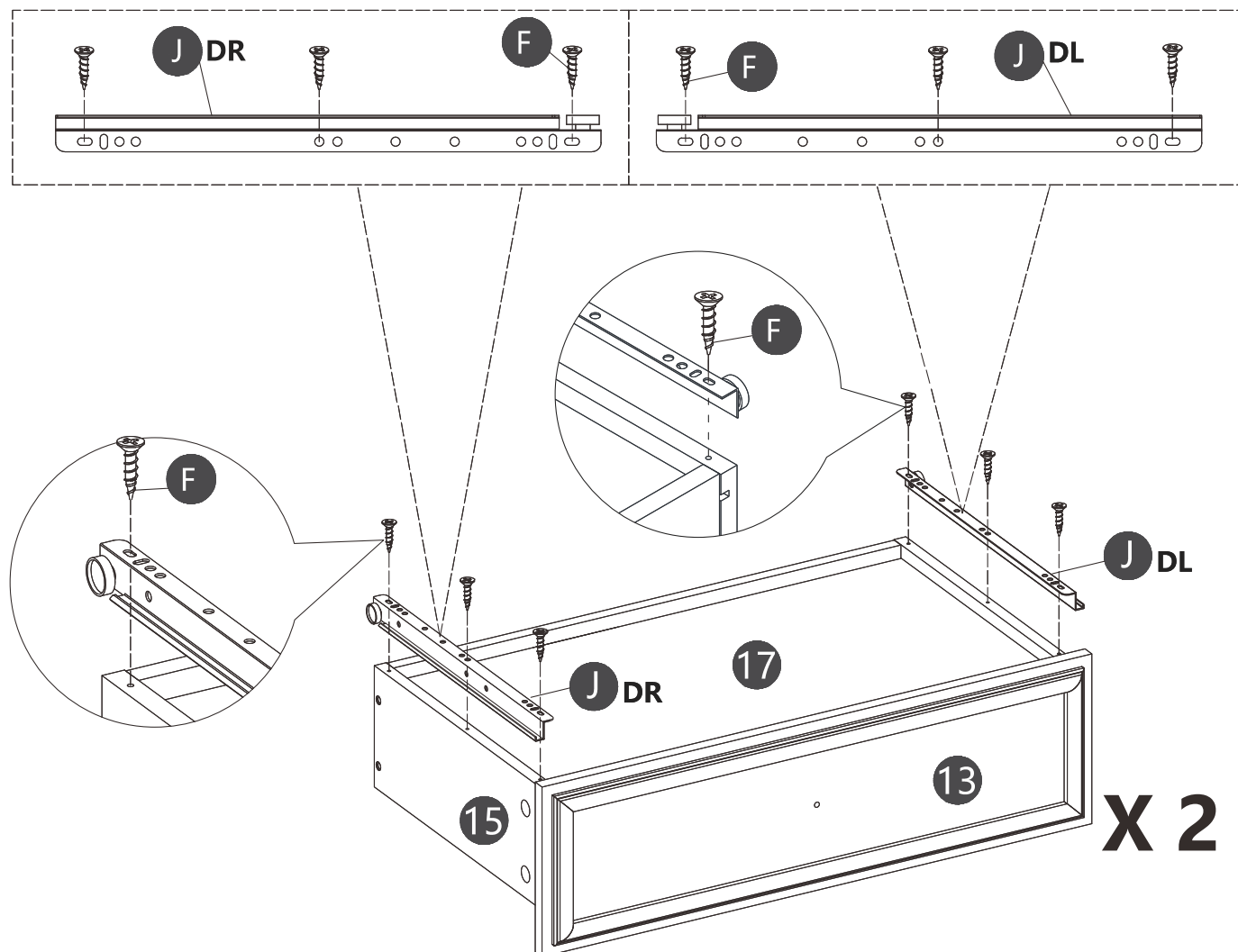
Using Screws (D) to assemble Board (18) to the Board (14&15).


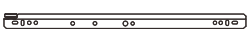



Step 21

Using Screws (F) to assemble Slide (DR) to Board (15).

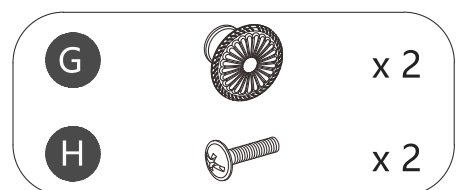
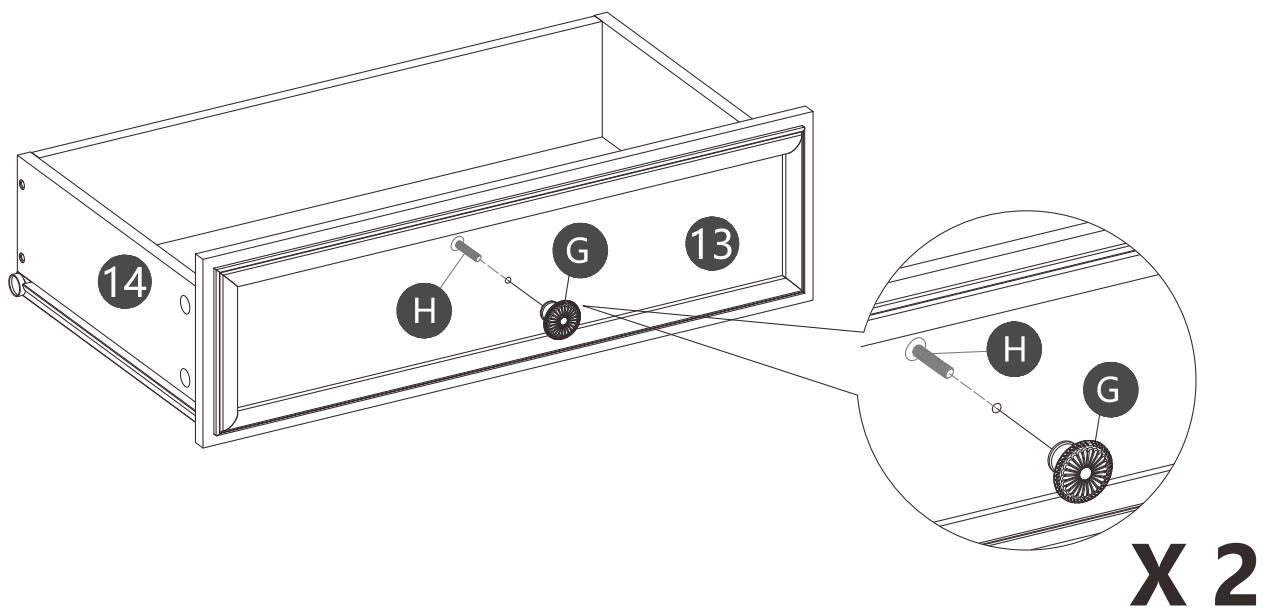
Using Screws (F) to assemble Slide (DL) to Board (14).



| | | |
|---|---|--------|
| F |  | x 12 |
| J |  | DL x 2 |
| J |  | DR x 2 |

Step 22

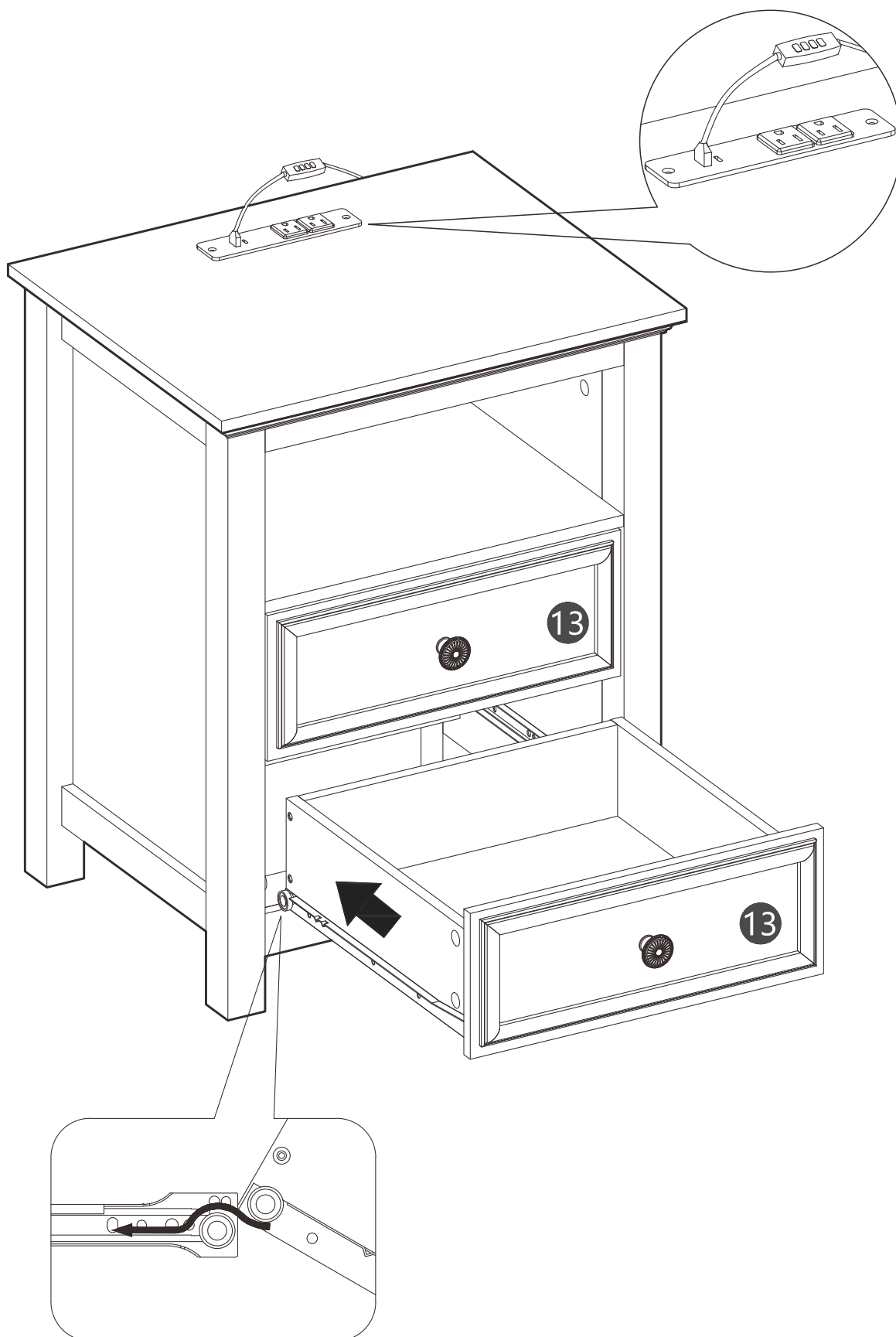
Using Screws (H) to assemble Handle (G) to the Board (13).



Step 23

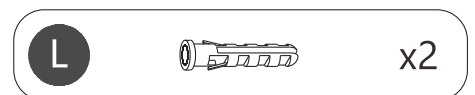
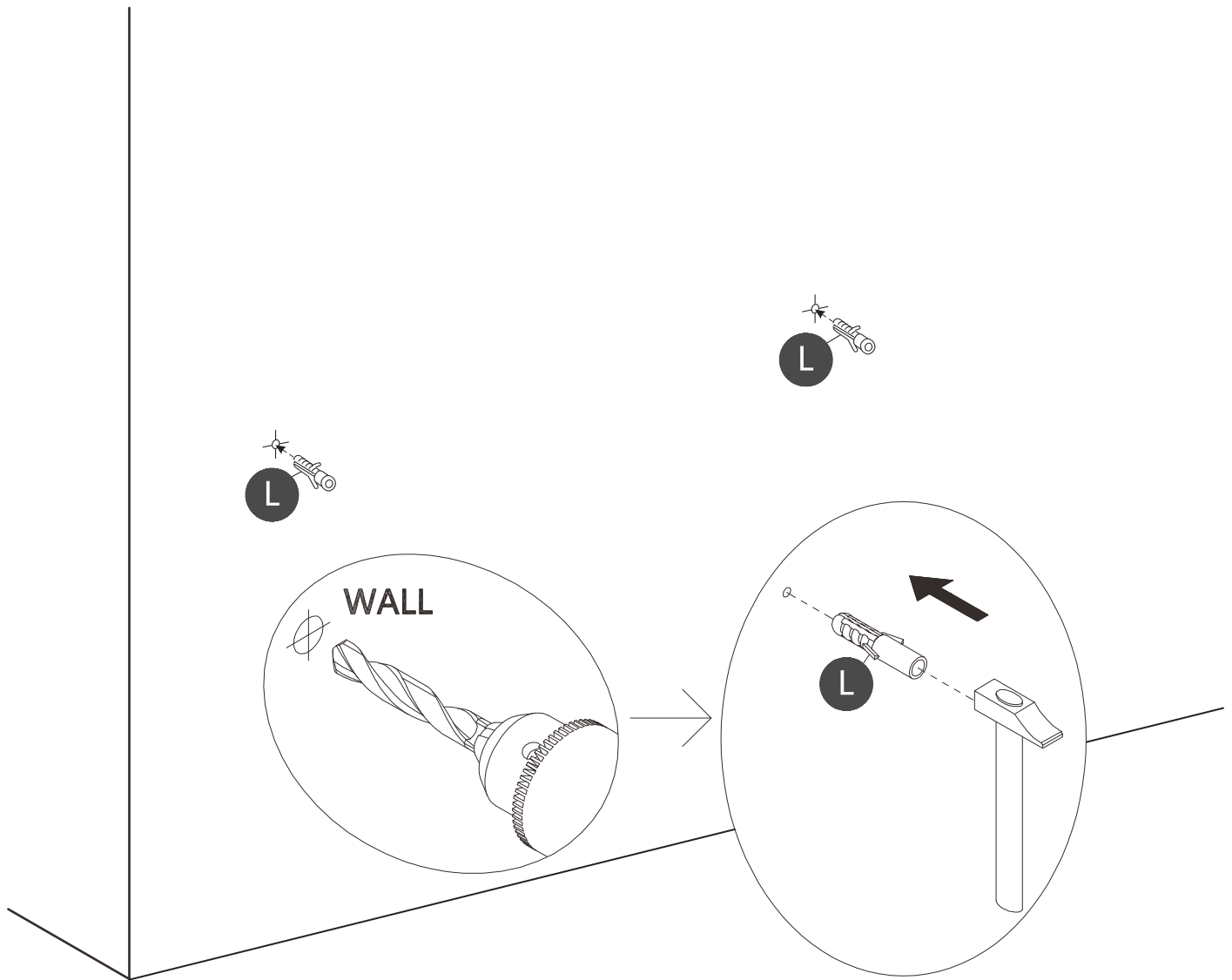
Assembled the drawers as per diagram.

When you put the drawer, please note that the drawer wheels on top of the wheels of the slide, then check whether the drawer is smooth when pulled out. Otherwise, the drawer will not be aligned with other drawers.



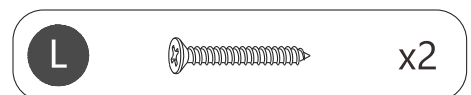
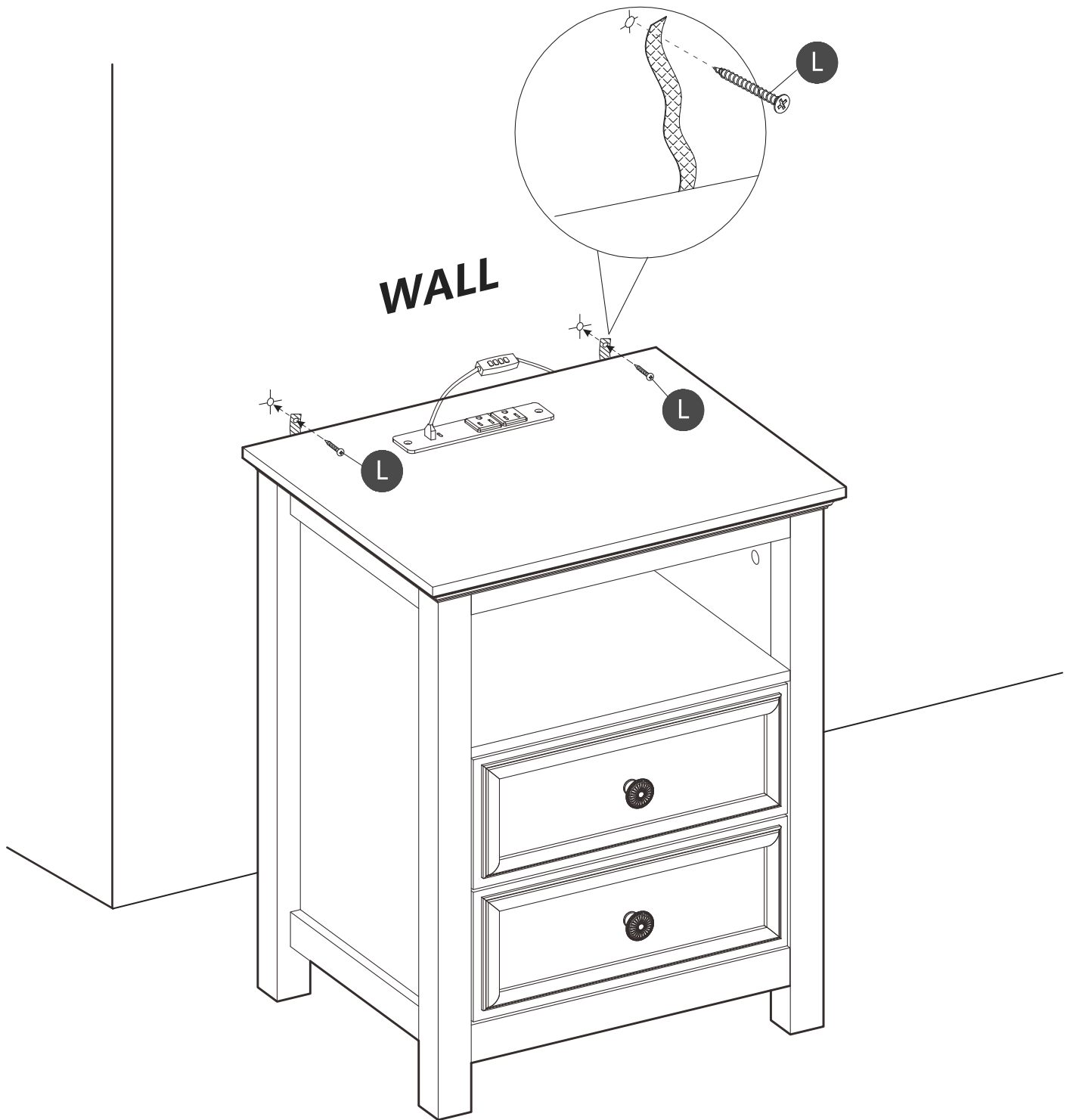
Step 24

Drill 2 holes in the wall and Hammer the (L) in.



Step 25

Using Screw (L) attach Anti-tipping Belt into Nut (L) to wall.



Congratulations, you've completed the installation and got a 2 drawers nightstands

