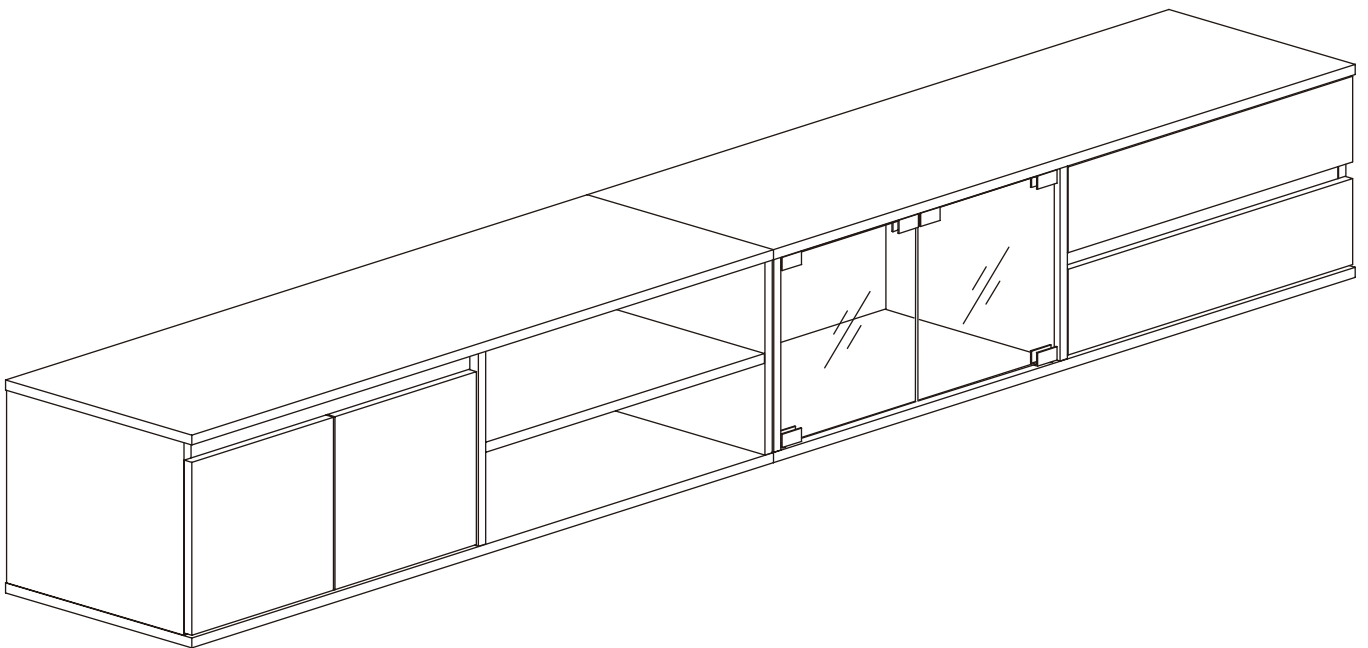


# TV Cabinet

Assembly Instructions - Please keep for future reference



## Dimensions

Width-94.5inch

Depth-14.6inch

Height-12.6inch

Important – Please read these instructions fully before starting assembly



# Safety and Care Advice

**Important – Please read these instructions fully before starting assembly**

- Check you have all the components and tools listed on the following pages.
- Remove all fittings from the plastic bags and separate them into their groups.
- Keep children and animals away from the work area, small parts could choke if swallowed.
- Make sure you have enough space to layout the parts before starting.

- During assembly do not stand or put weight on the product, this could cause damage.
- Assemble the item as close to its final position (in the same room) as possible.
- Assemble on a soft level surface to avoid damaging the unit or your floor.
- Parts of the assembly will be easier with 2 people.



- To reduce the likelihood of damaging your product please ensure that your power drill is set on a low torque setting.

## Care and maintenance

- Only clean using a damp cloth and mild detergent, do not use bleach or abrasive cleaners.
- From time to time check that there are no loose screws on this unit.
- This product should not be discarded with household waste. Take to your local authority waste disposal centre.

## Handy Hints

- Assemble all parts and bolts loosely during assembly, only once the product is complete should you fully tighten the bolts
- Regularly check and ensure That all bolts and fittings are tightened properly.

## **WARNING** In order to help prevent overturning – please follow these instructions

To help prevent product toppling over please follow the below steps:-

- Use the anti tip stap or wall fixing method provided (if applicable)
- Do not allow children to climb or hang on the furniture
- Do not open more than one drawer at a time
- Do not place heavy items in the top drawers
- Do not place heavy items on top of the furniture, unless the furniture has been designed for this purpose

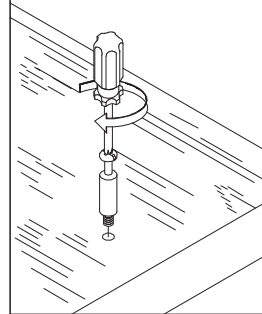
# Using Camlocks

## Step 1

Connect the male camlock as directed in the assembly instructions using a screwdriver.

1

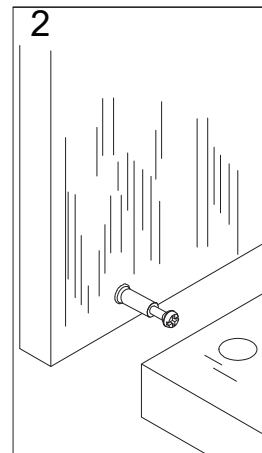
DO NOT OVER TIGHTEN.  
NE PAS SERRER EXCESSIVEMENT.



## Step 2

Push the male camlock into the entry hole.

2

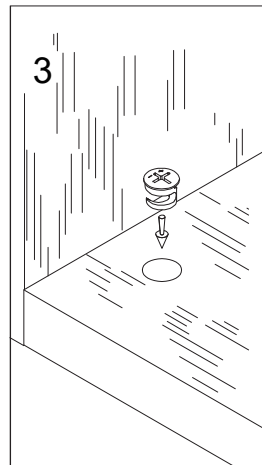


## Step 3

Insert the female camlock as shown in the instruction.

Note: ensure that the arrow on the top of the camlock points towards the entry hole for the male camlock.

3



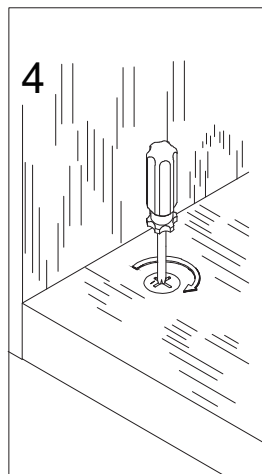
## Step 4

Turn the female camlock clockwise with a screwdriver.

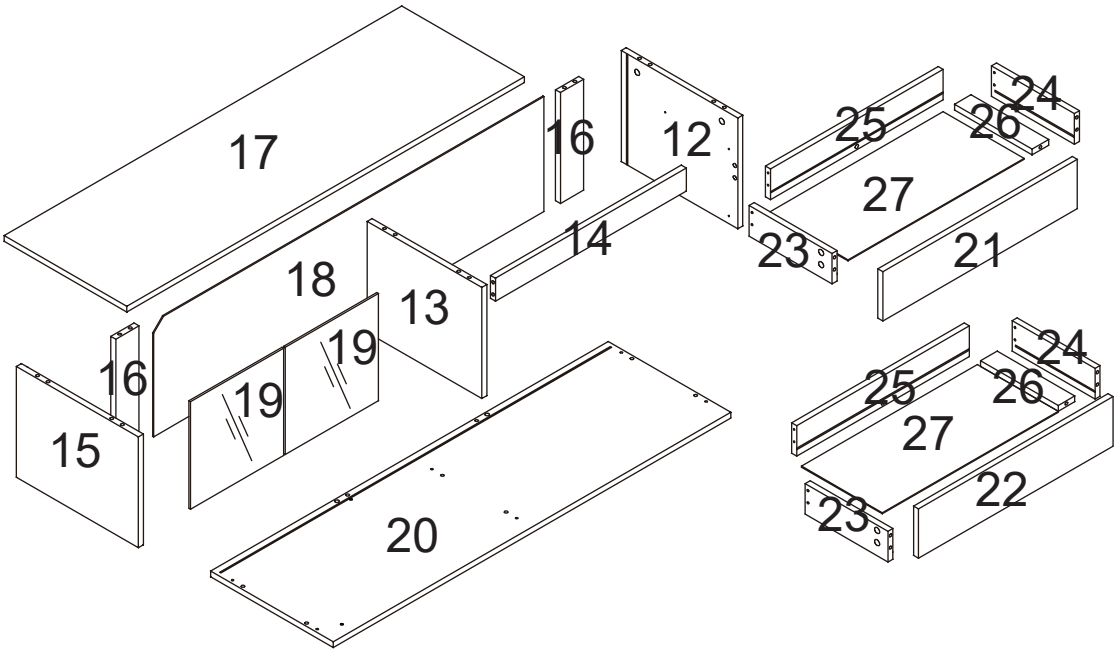
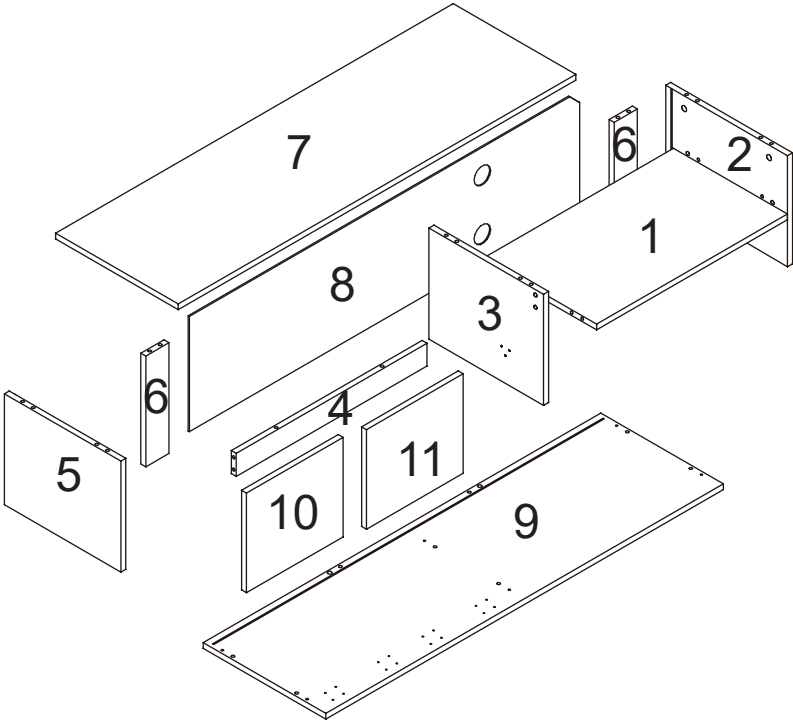
You should feel a click when the camlock is locked in place.

The joint is now secure.

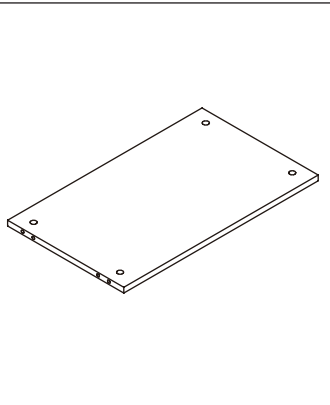
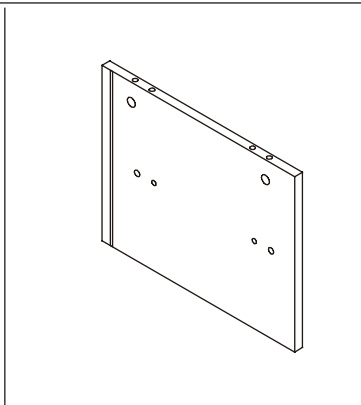
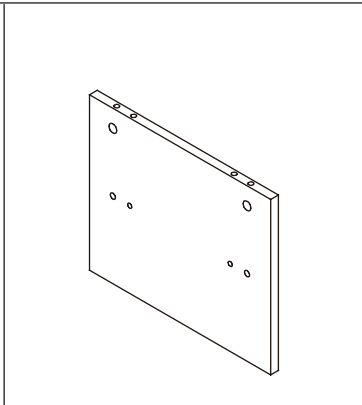
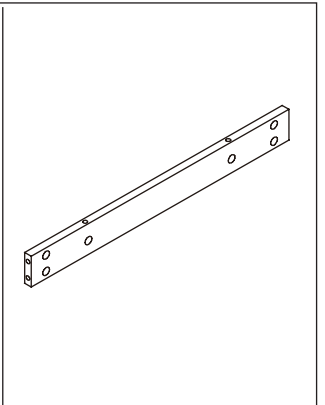
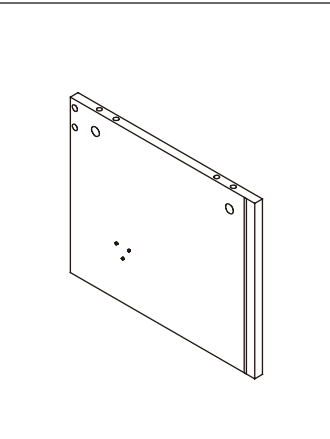
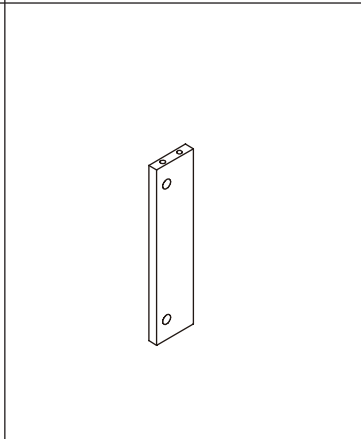
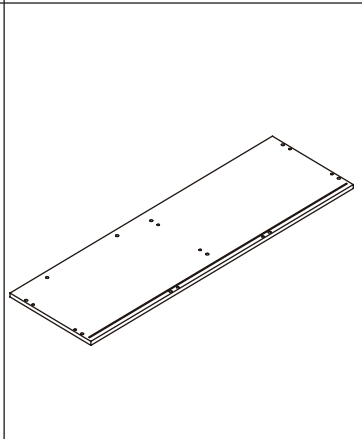
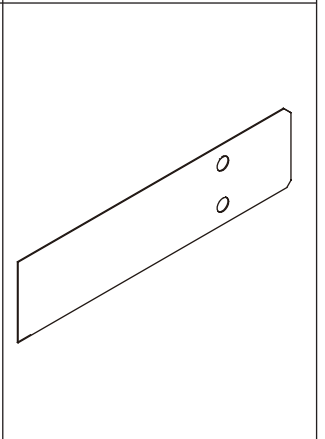
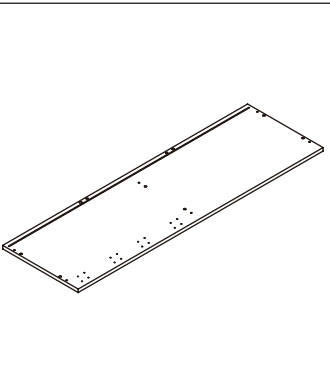
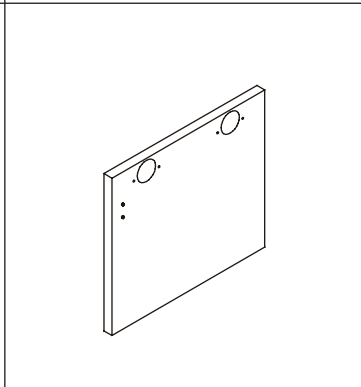
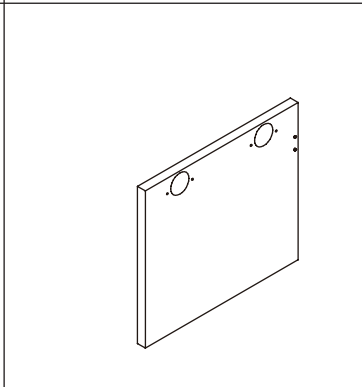
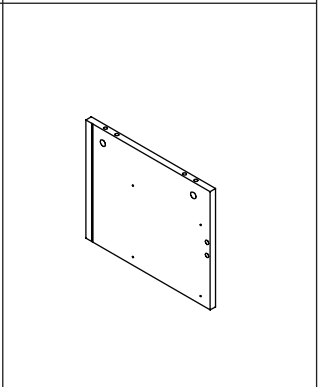
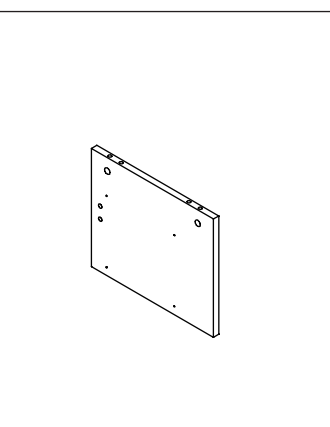
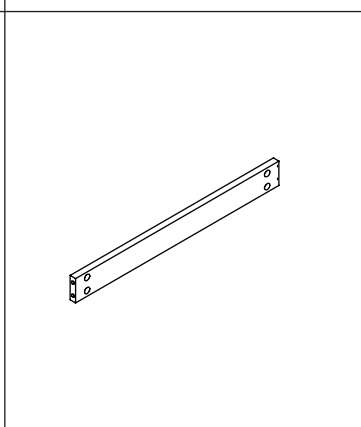
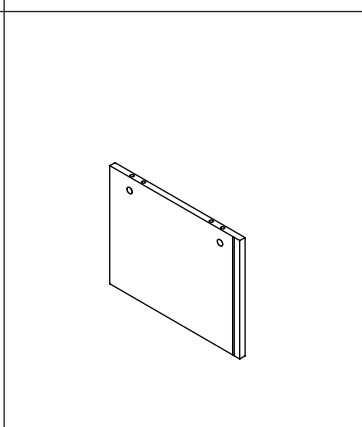
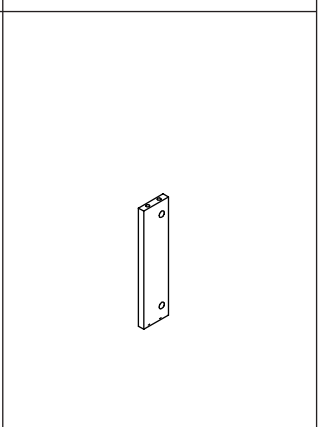
4



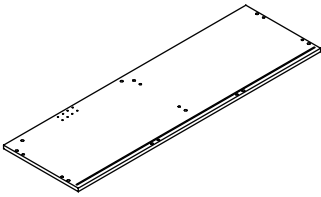
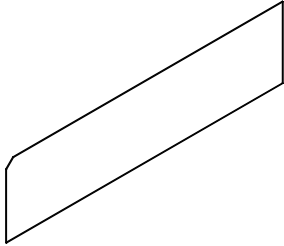
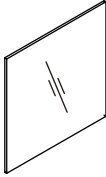
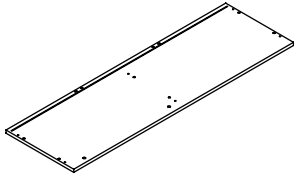
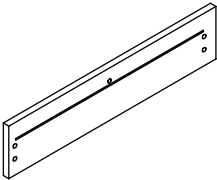
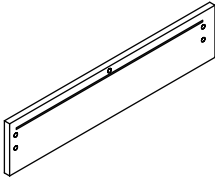
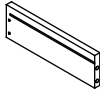
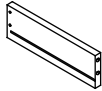
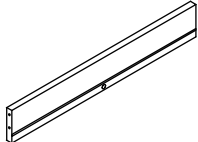
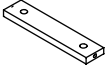
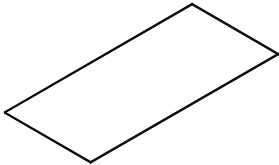
# Assembly Instructions



# Assembly Instructions

			
① x 1	② x 1	③ x 1	④ x 1
			
⑤ x 1	⑥ x 2	⑦ x 1	⑧ x 1
			
⑨ x 1	⑩ x 1	⑪ x 1	⑫ x 1
			
⑬ x 1	⑭ x 1	⑮ x 1	⑯ x 2

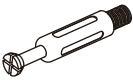

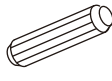

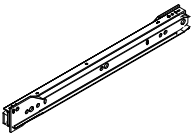
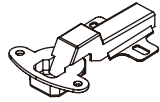

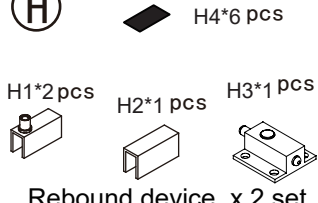





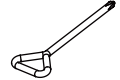
# Assembly Instructions

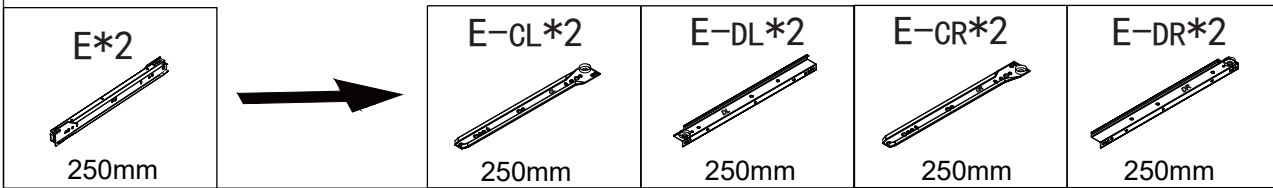
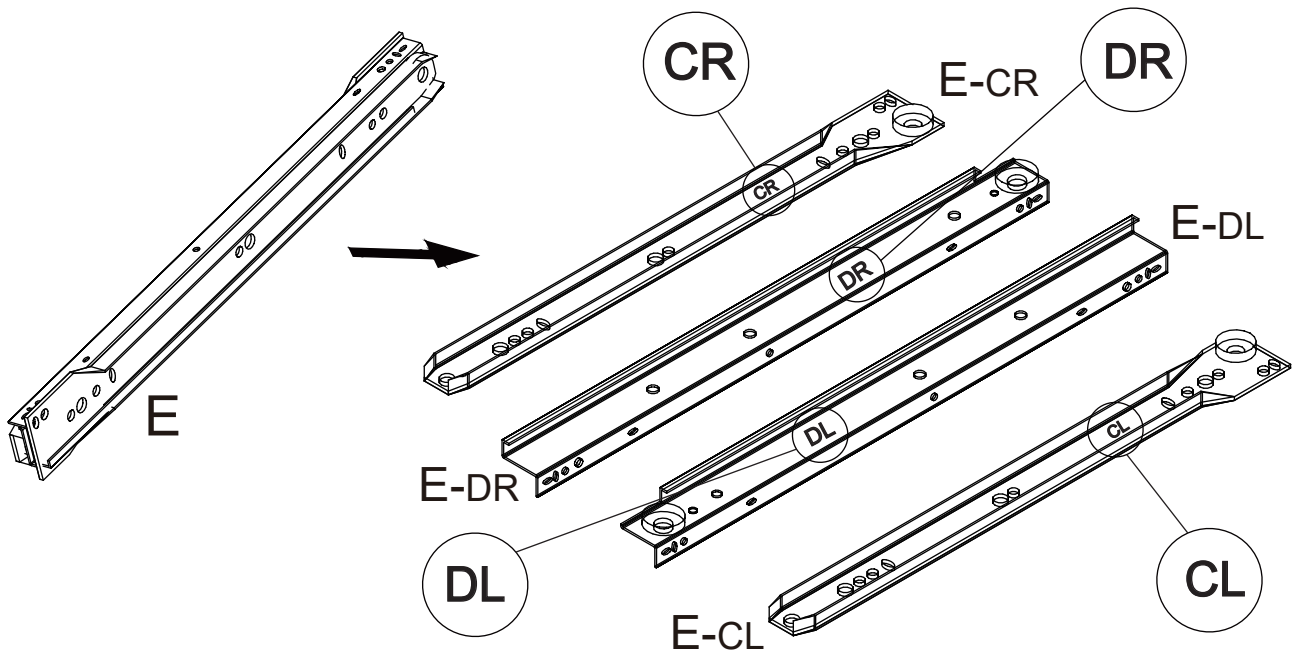
			
①7 x 1	①8 x 1	①9 x 2	②0 x 1
			
②1 x 1	②2 x 1	②3 x 2	②4 x 2
			
②5 x 2	②6 x 2	②7 x 2	

# Components-Fittings

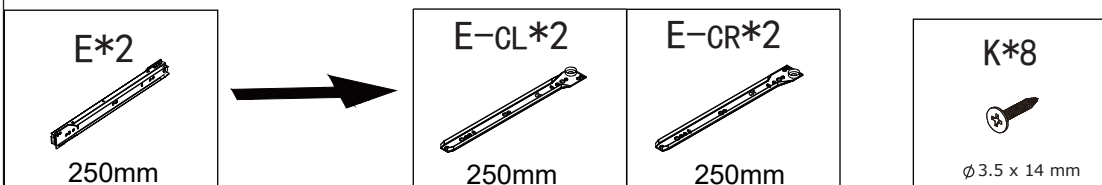
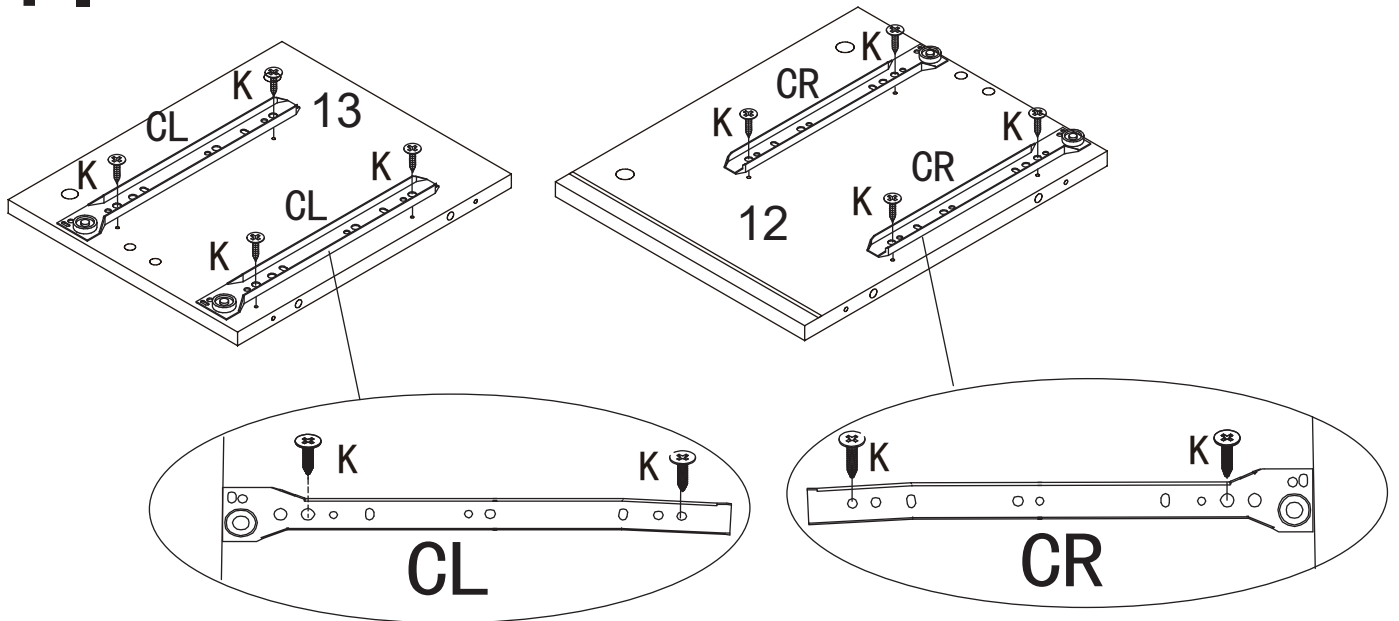
Please check you have all the panels listed below

Note: The quantities below are the correct amount to complete the assembly. In some cases more fittings may be supplied than are required.

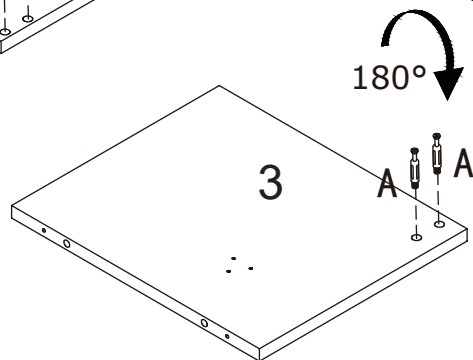
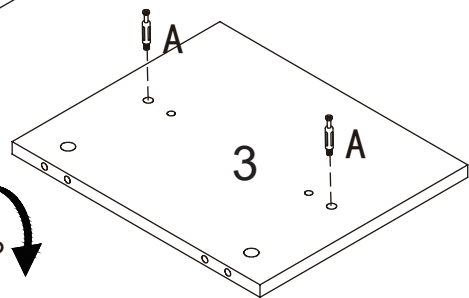
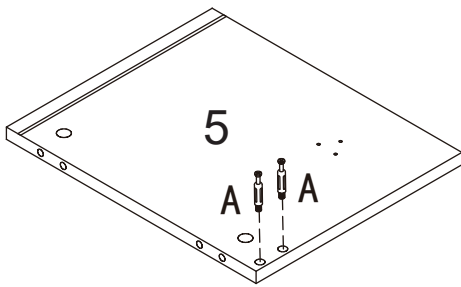
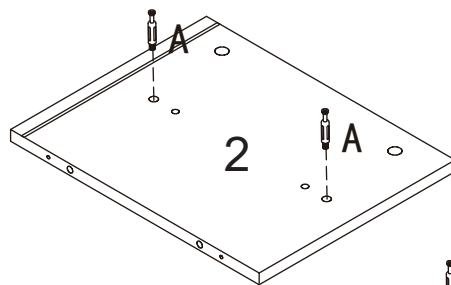
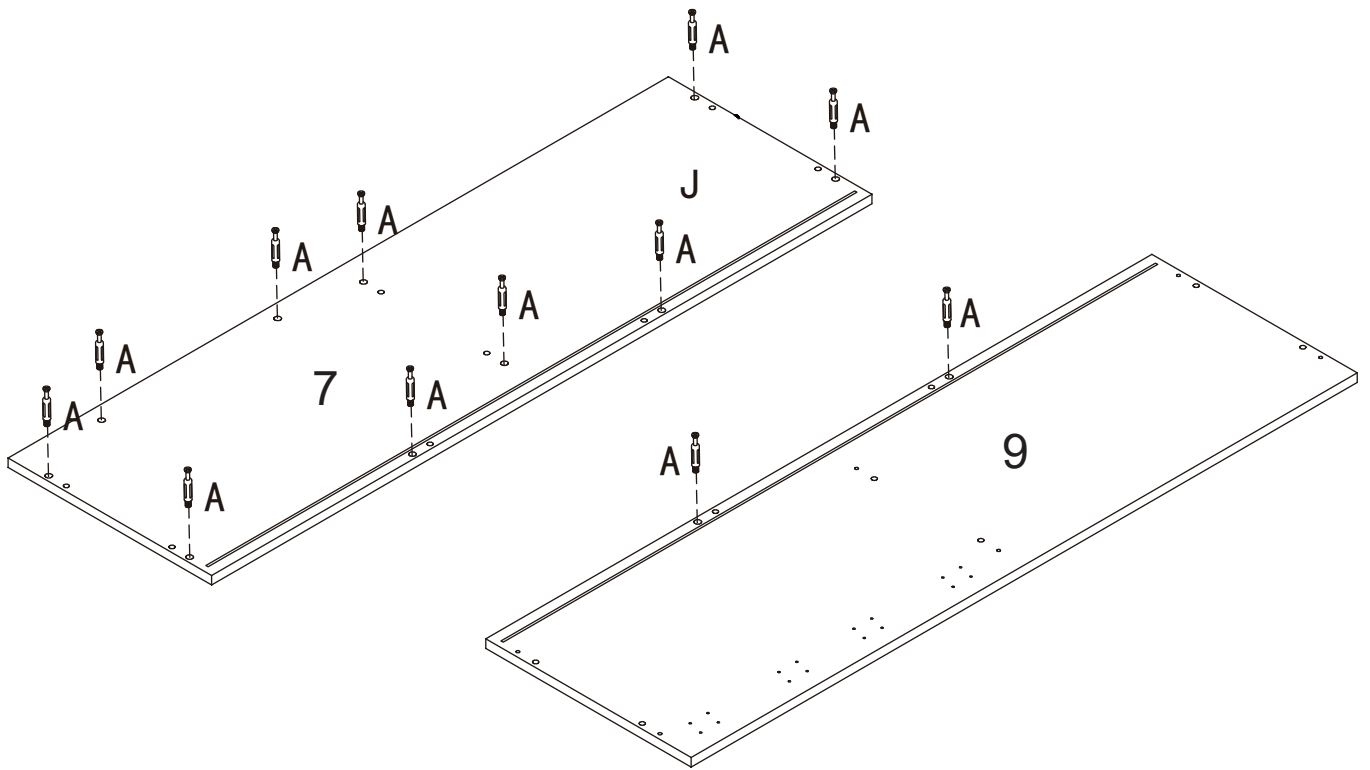
<p>(A)</p>  <p>Cam Bolt x 46+3</p>	<p>(B)</p>  <p>Cam Lock x 46+3</p>	<p>(C)</p>  <p>8*30mm Dowel x 36+2</p>	<p>(D)</p>  <p>5*40mm Screw x 20+2</p>
<p>(E)</p>  <p>250mm Drawer slide x 2</p>	<p>(F)</p>  <p>Hinge x 4</p>	<p>(G)</p>  <p>Flip door lever x 2</p>	<p>(H)</p>  <p>H4*6 pcs H1*2 pcs H2*1 pcs H3*1 pcs Rebound device x 2 set</p>
<p>(J)</p>  <p>Light belt x 1</p>	<p>(K)</p>  <p>3.5*14mm Screw x 58+3</p>	<p>(L)</p>  <p>felt x 12+2</p>	<p>(M)</p>  <p>Perfect sticker x 18+2</p>
<p>(N)</p>  <p>Back panel buckle x 16+2</p>	<p>(P)</p>  <p>Screwdriver x 1</p>		



1.



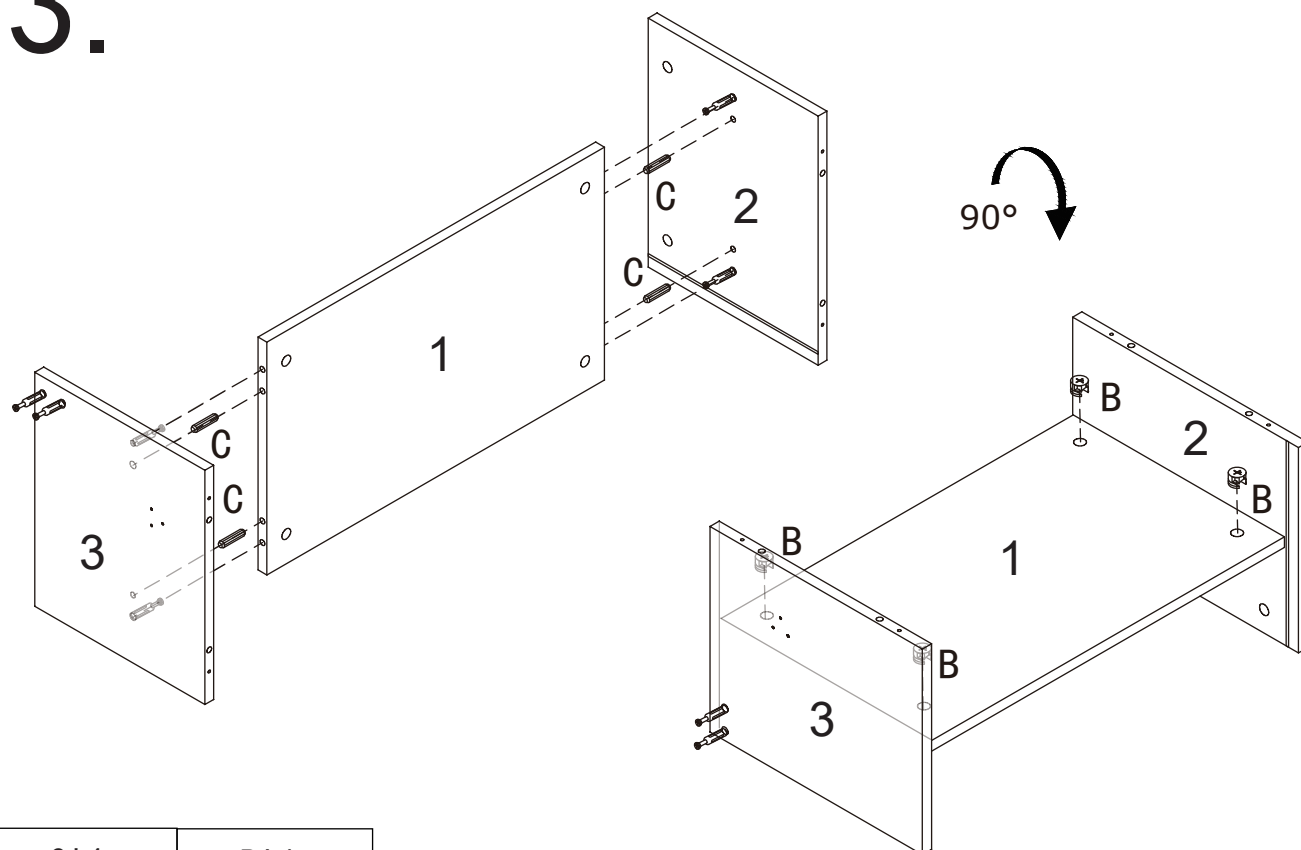
# 2.



A\*20



# 3.



C\*4

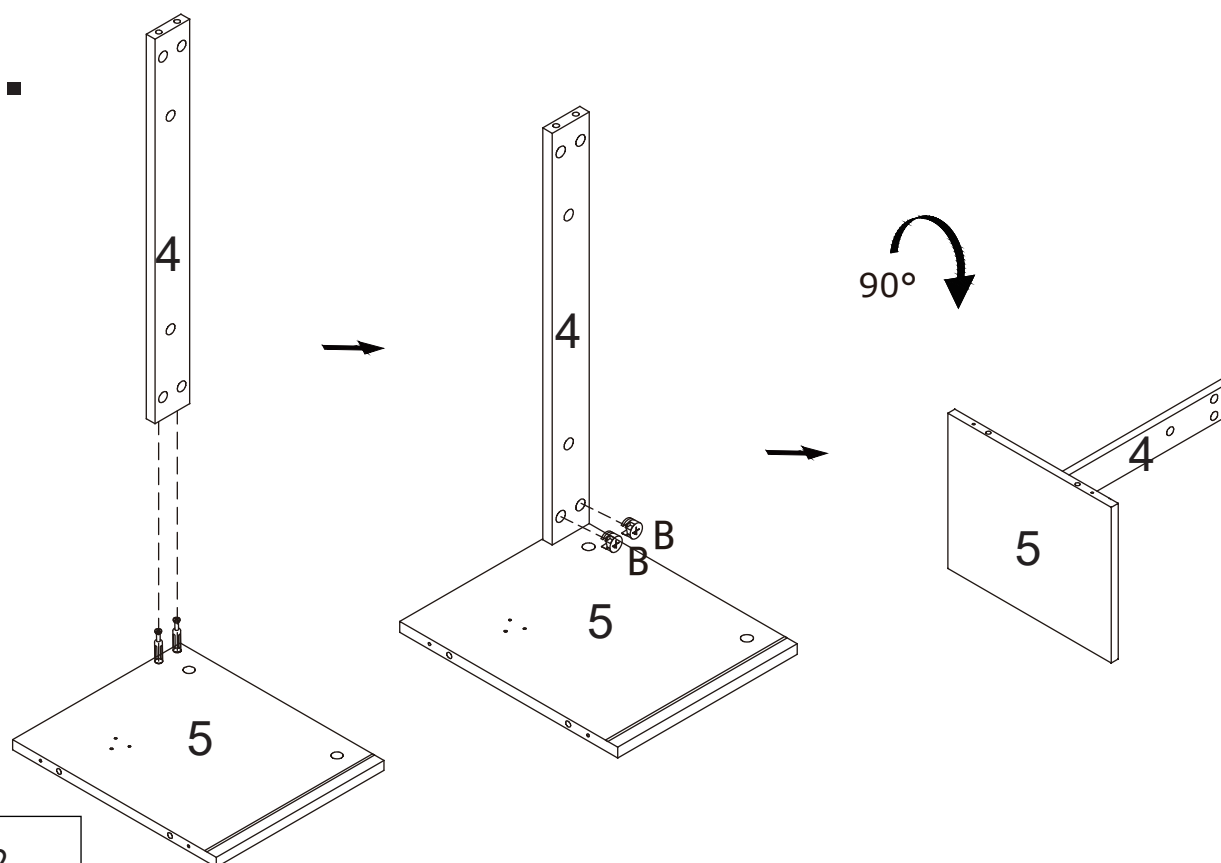


Ø 8 x 30 mm

B\*4



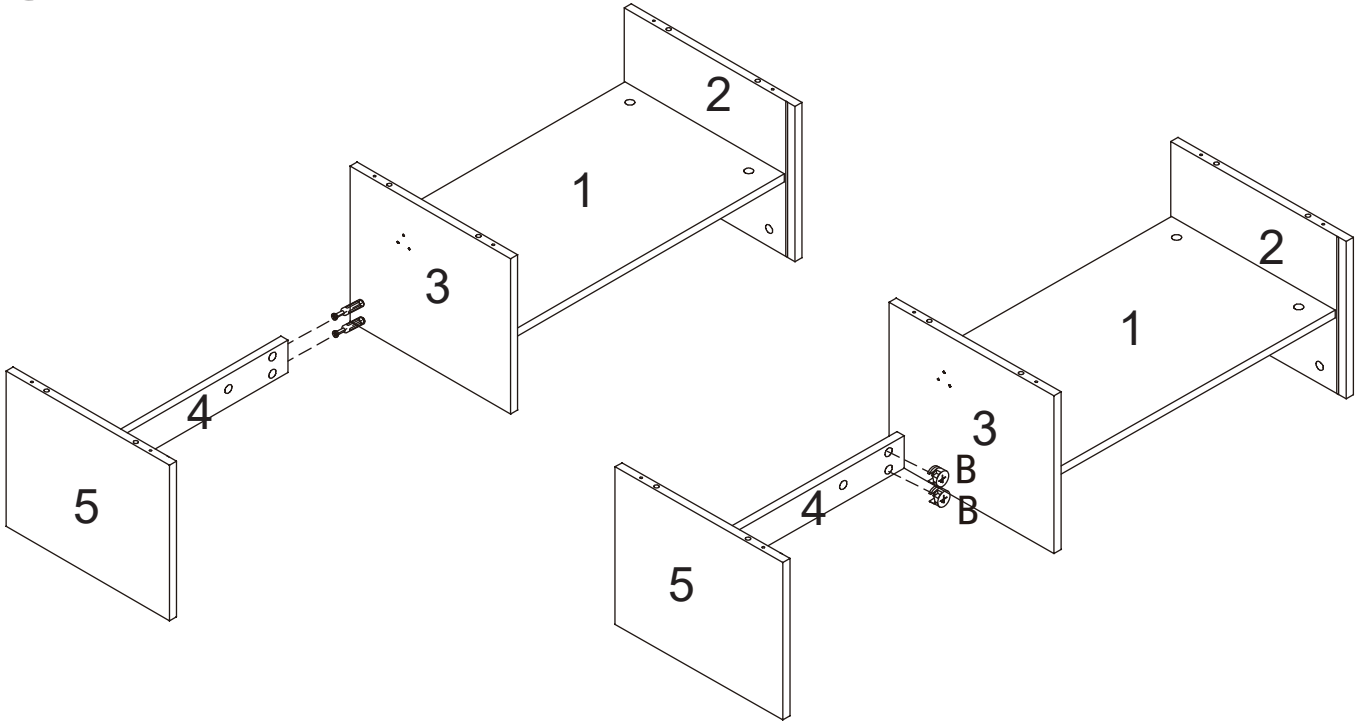
# 4.



B\*2



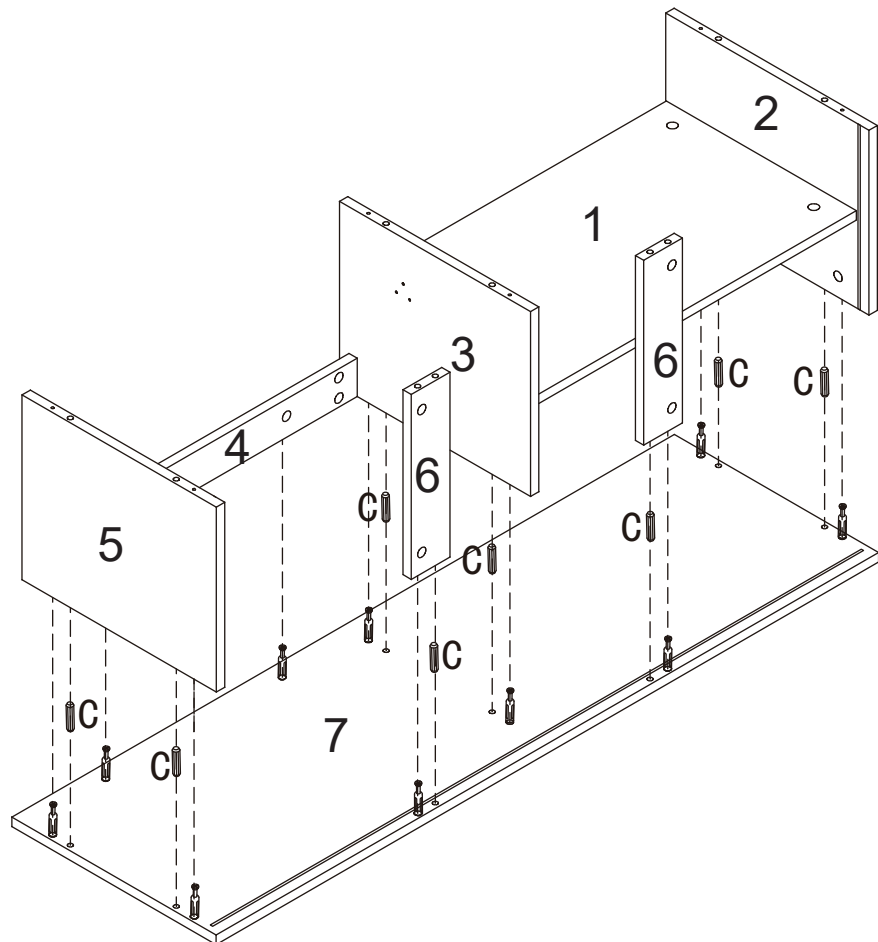
# 5.



B\*2



# 6.

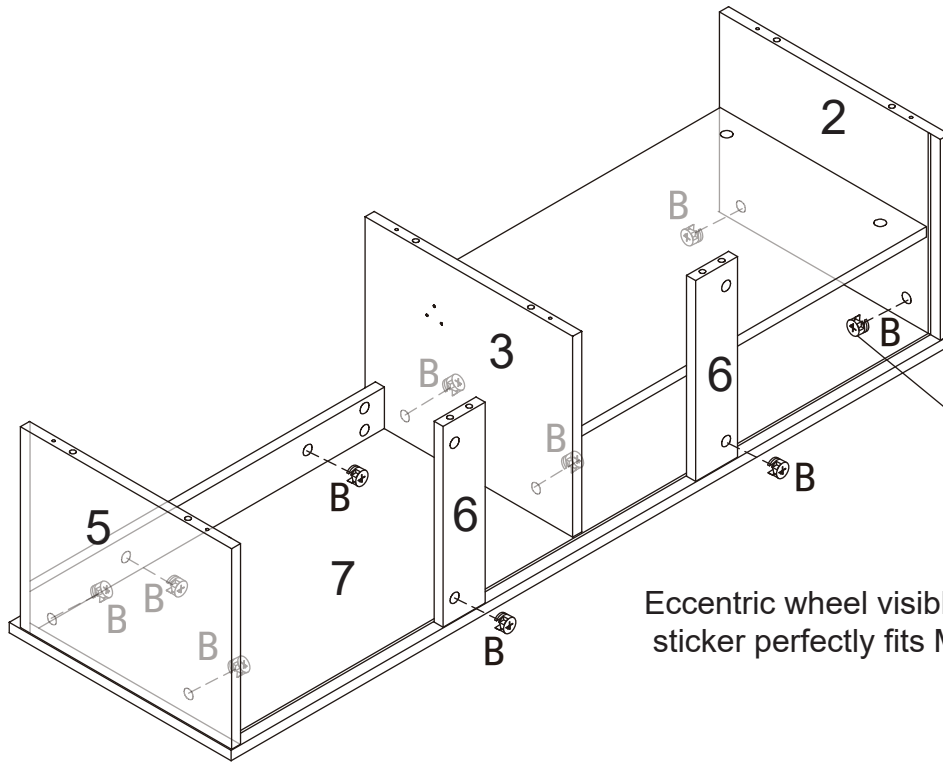


C\*8

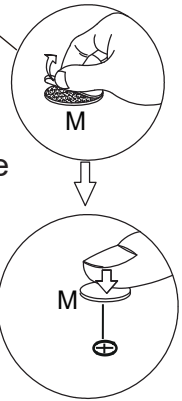


∅8 x 30 mm

# 7.



Eccentric wheel visible hole sticker perfectly fits M

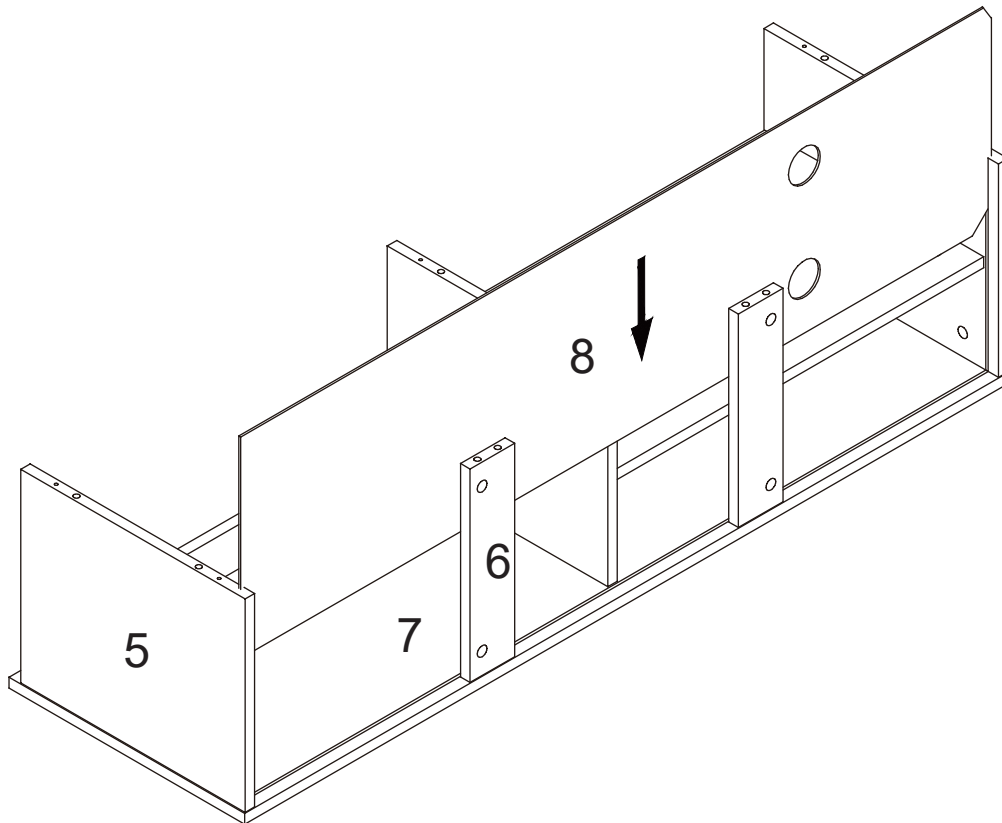


B\*10

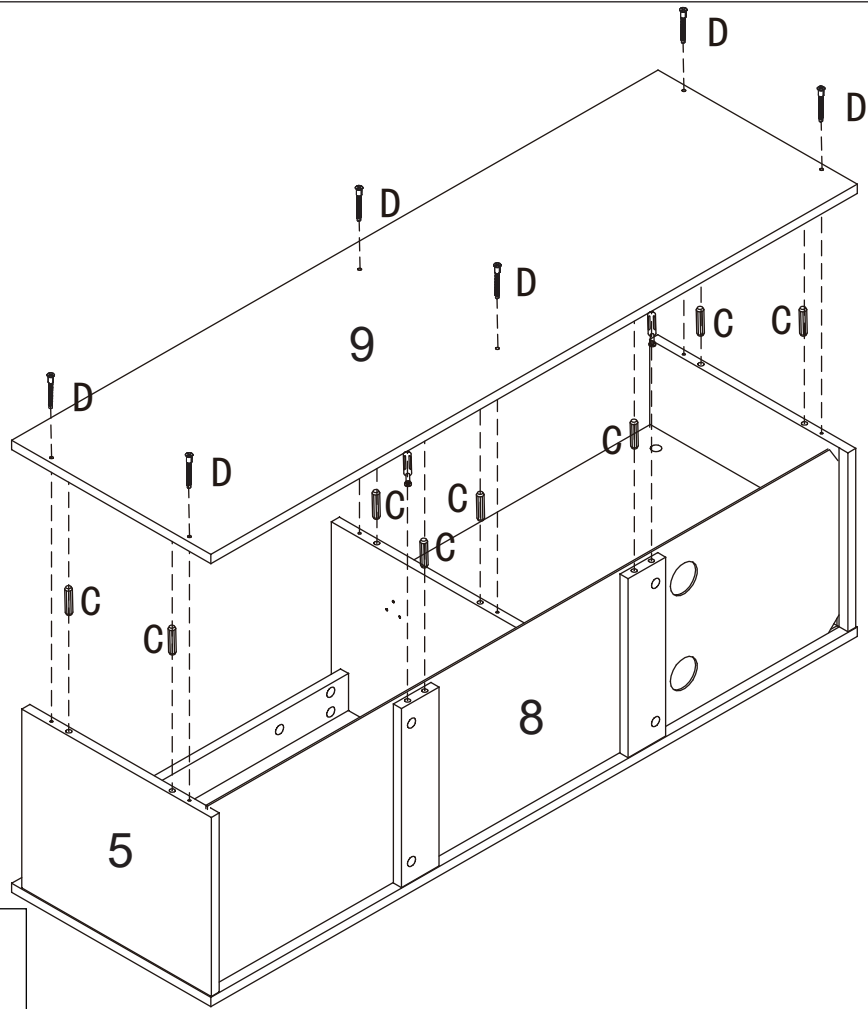
M\*10



# 8.



# 9.



D\*6



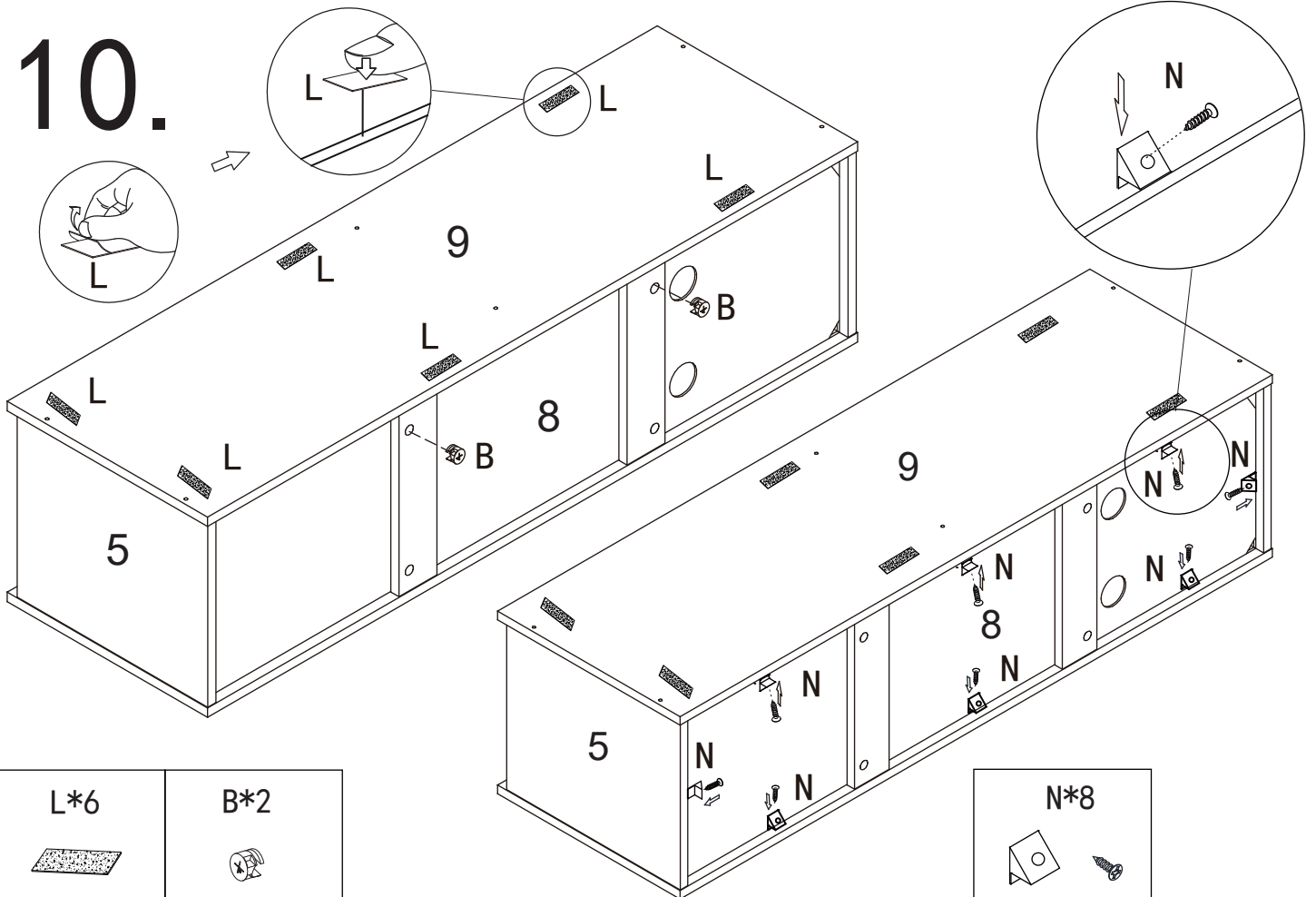
Ø 5 x 40 mm

C\*8



Ø 8 x 30 mm

# 10.



L\*6



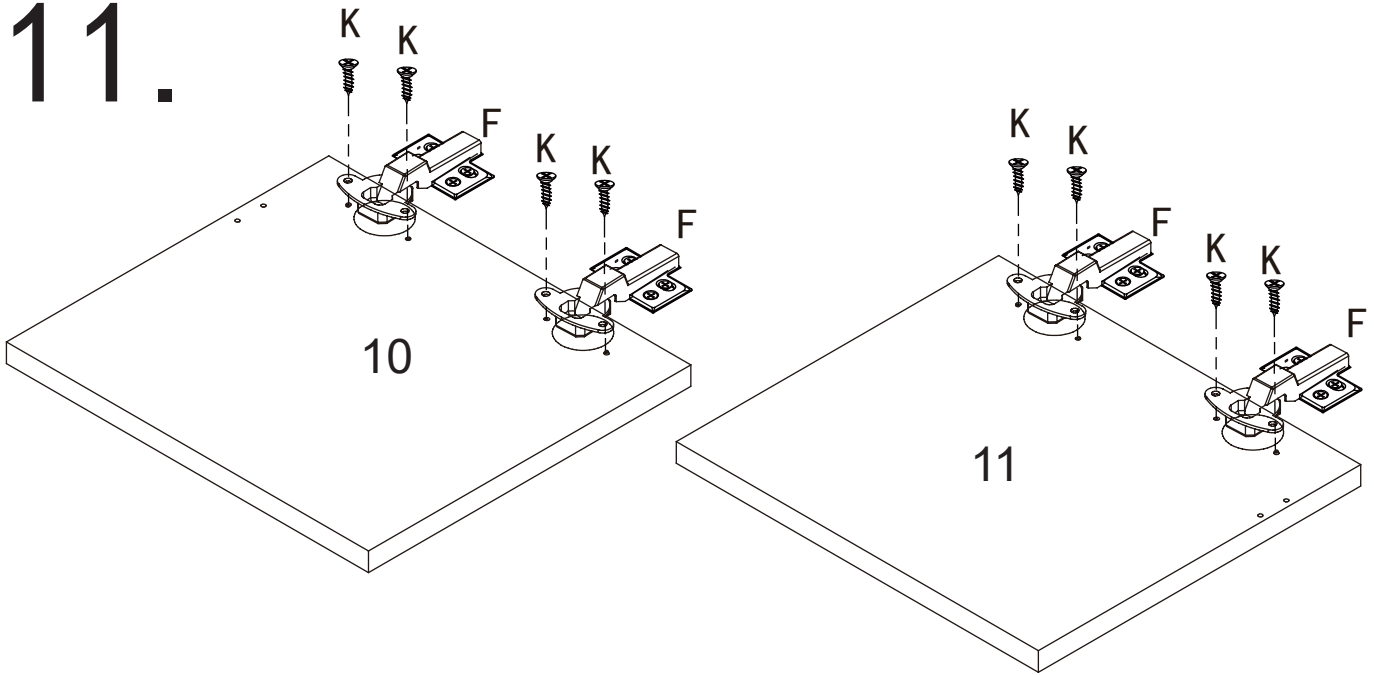
B\*2



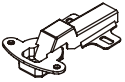
N\*8



# 11.



F\*4

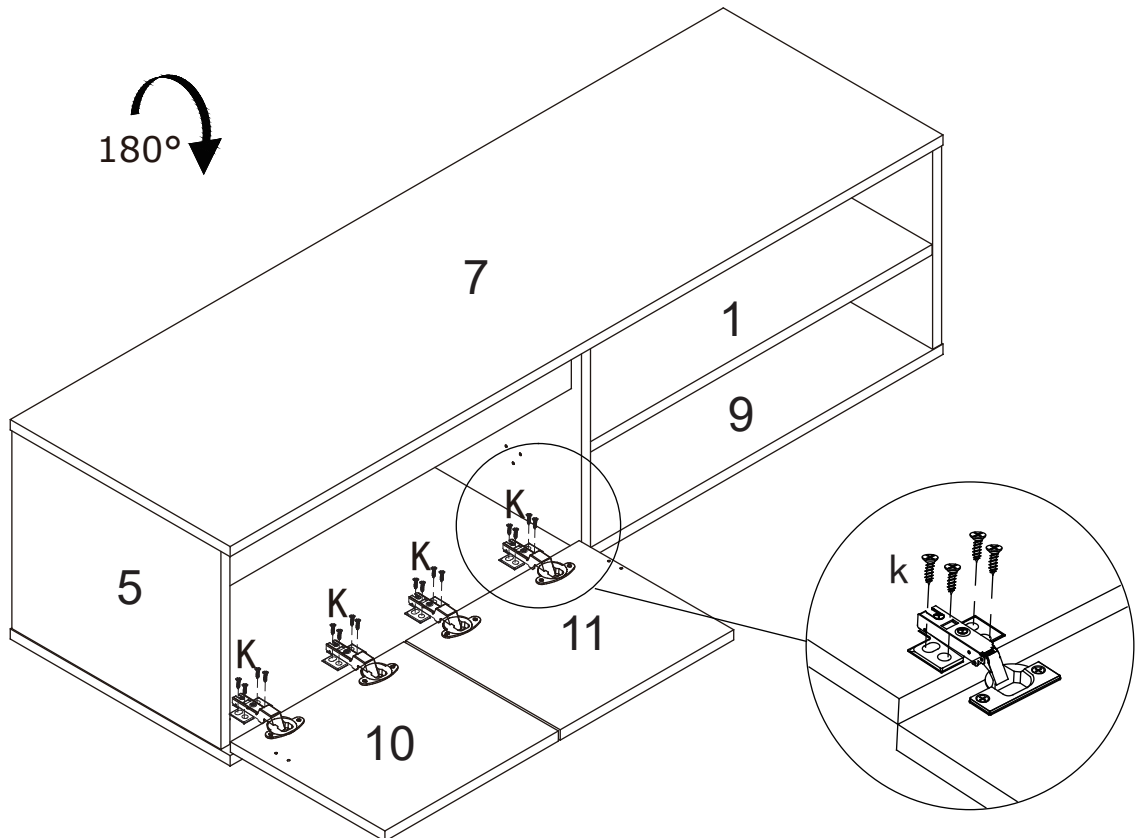


K\*8



Ø 3.5 x 14 mm

# 12.

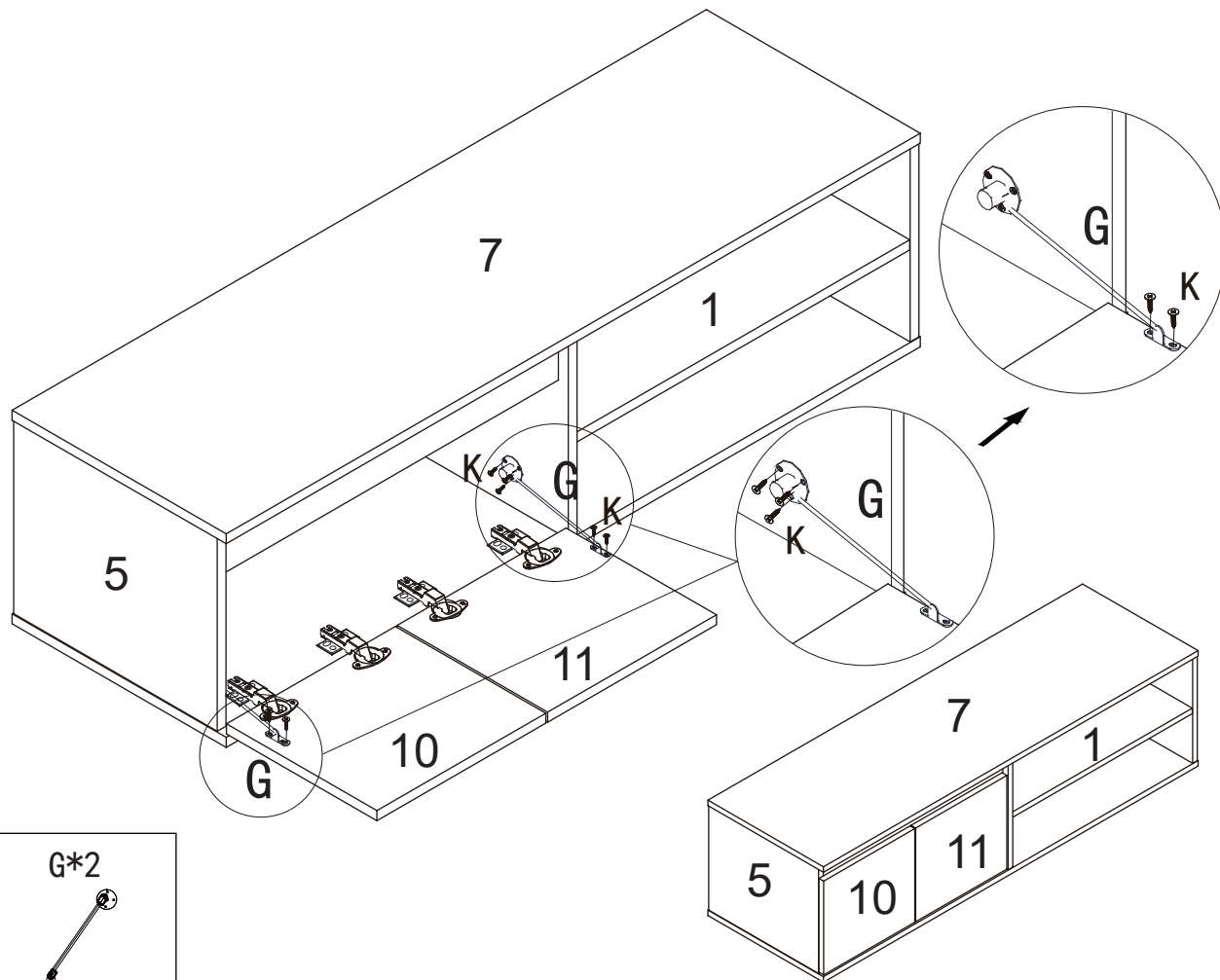


K\*16



Ø 3.5 x 14 mm

# 13.



K\*10

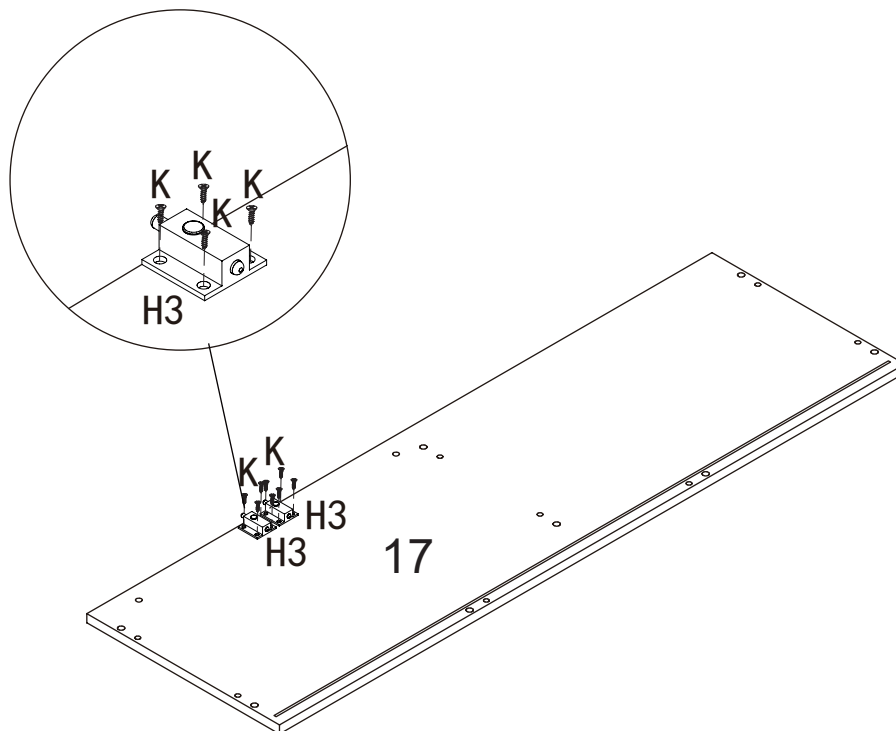


Ø 3.5 x 14 mm

G\*2



# 14.



H-H3\*2

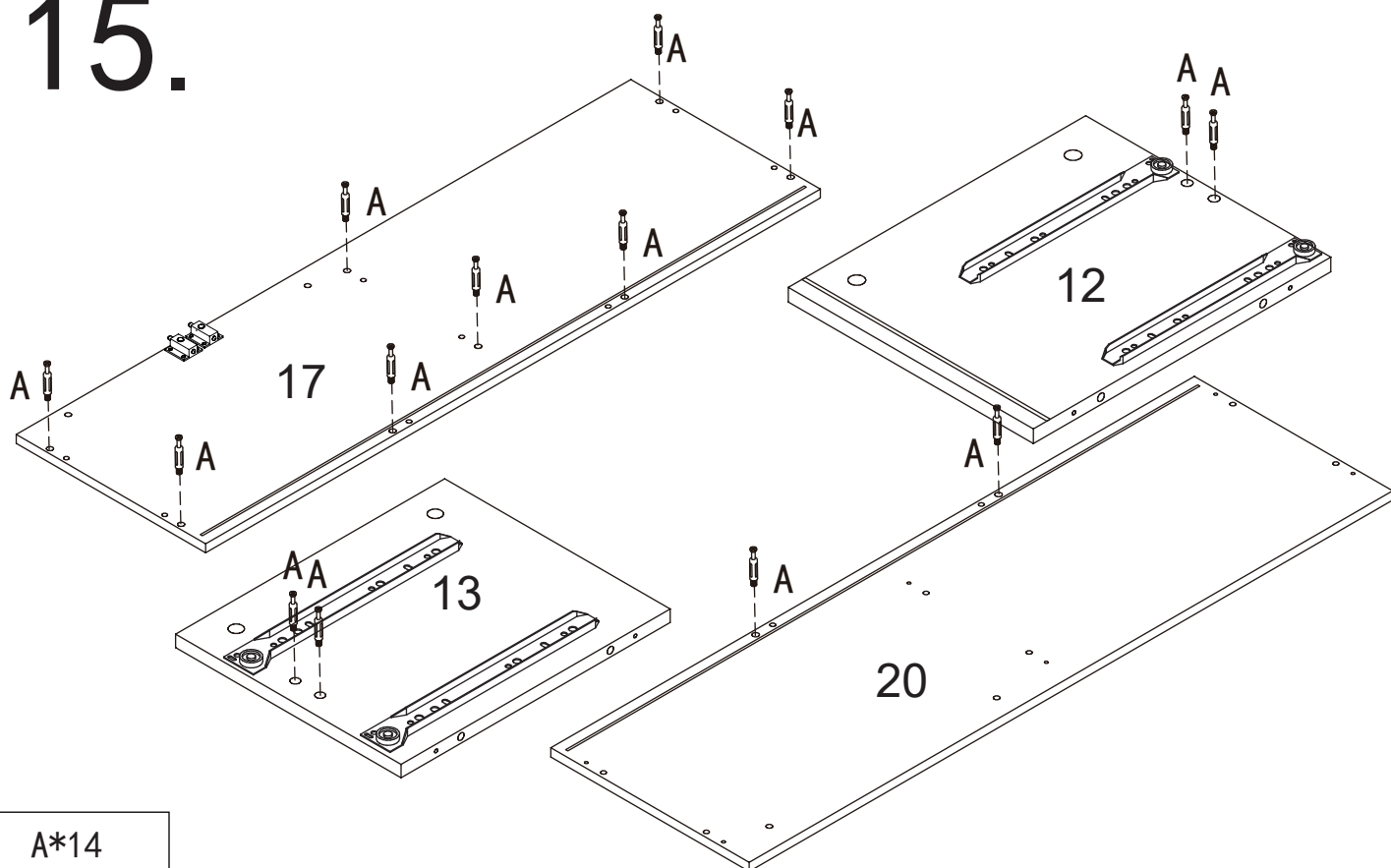


K\*8

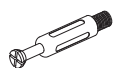


Ø 3.5 x 14 mm

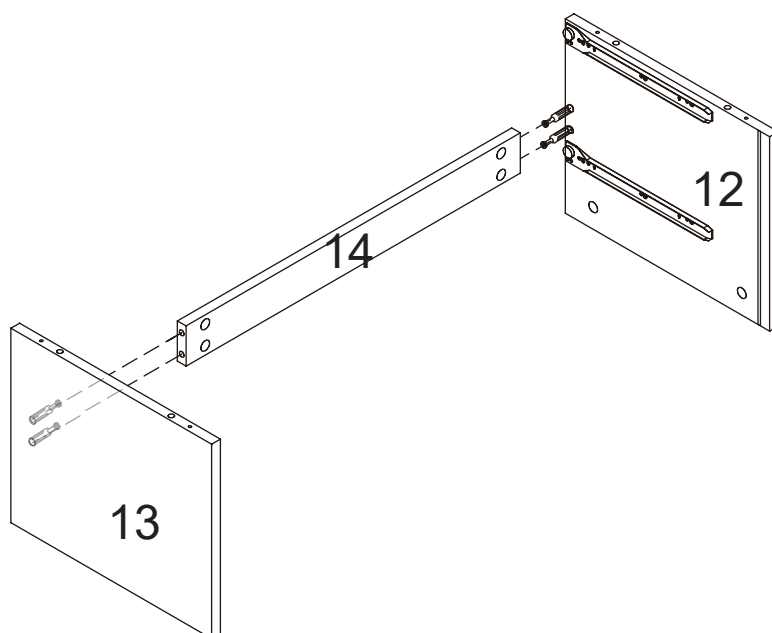
# 15.



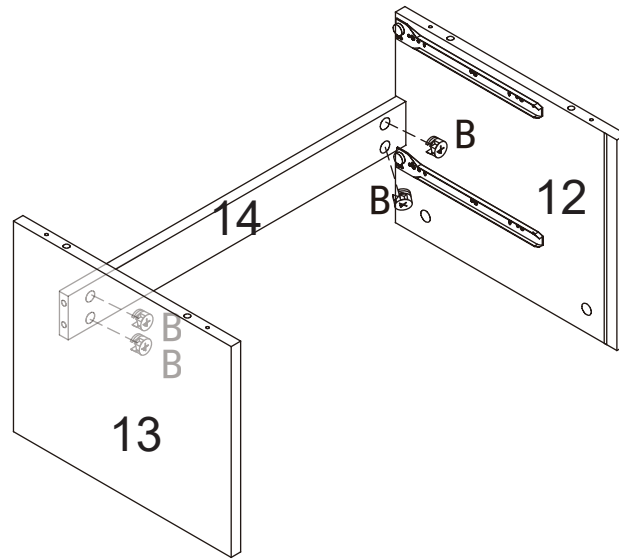
A\*14



# 16.



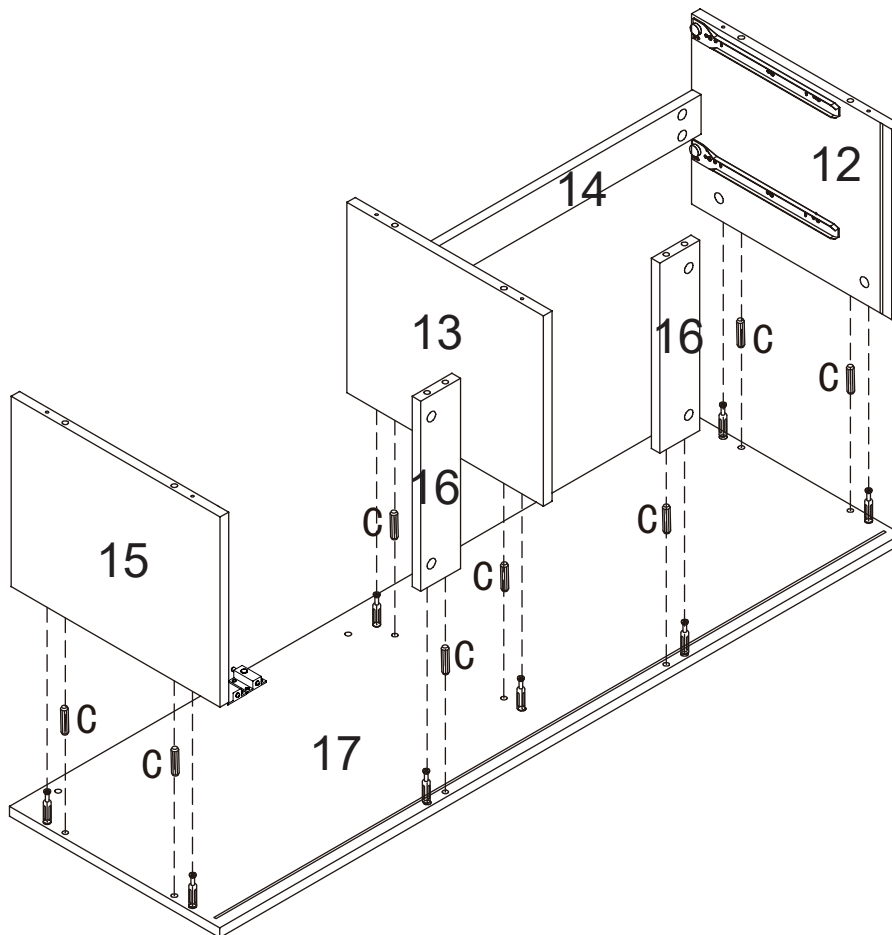
# 17.



B\*4



# 18.

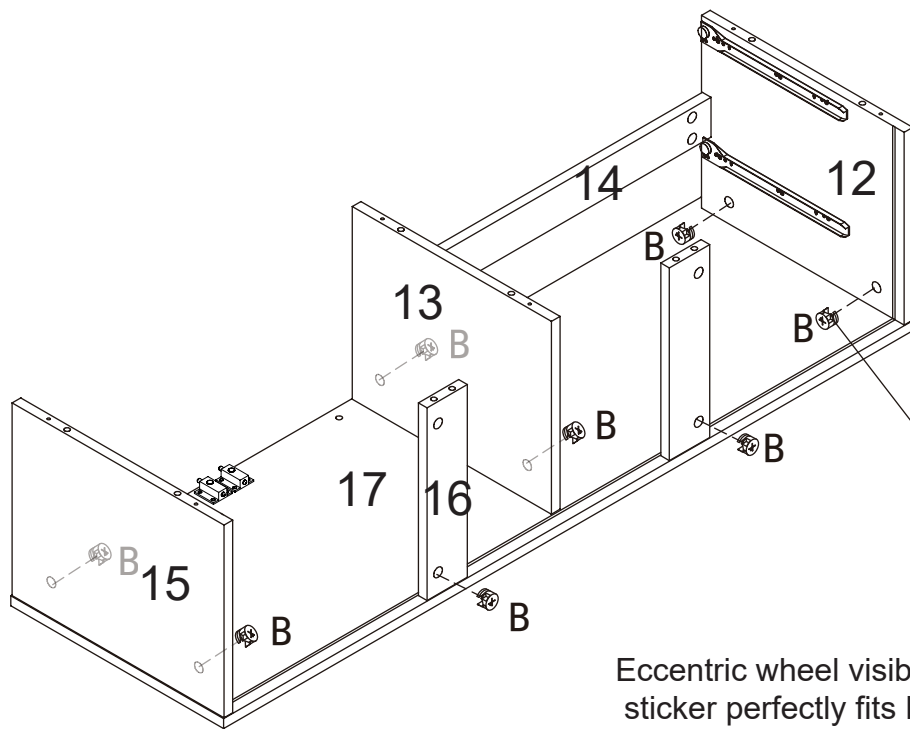


C\*8

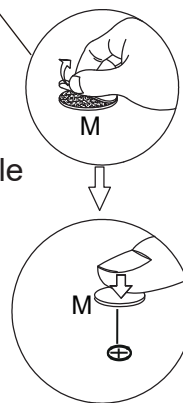


∅8 x 30 mm

# 19.



Eccentric wheel visible hole sticker perfectly fits M



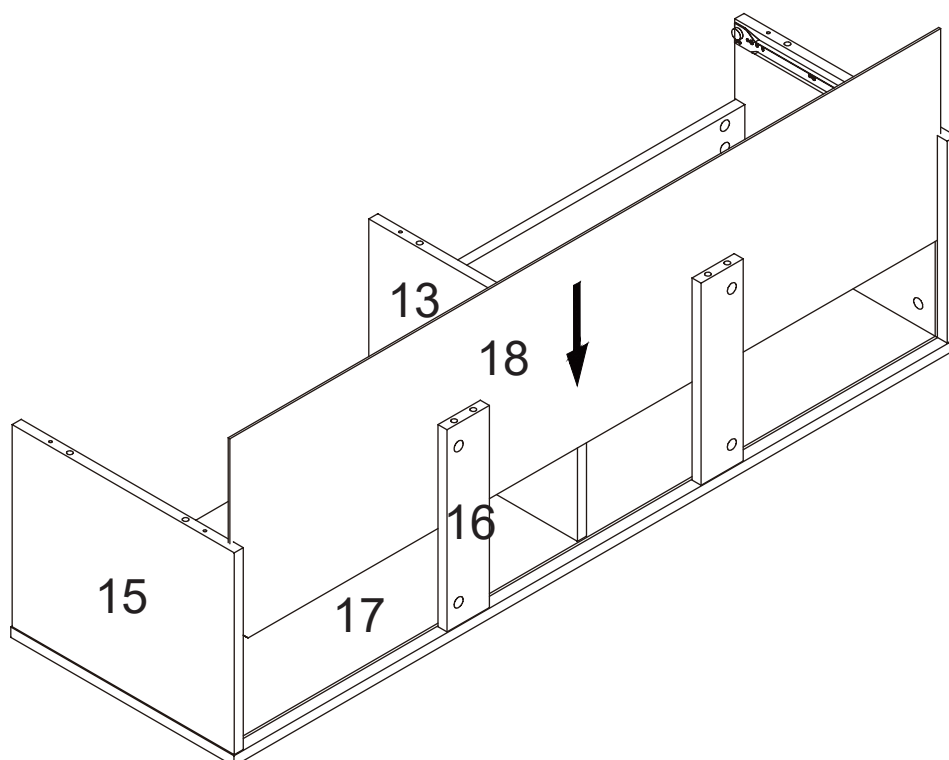
B\*8



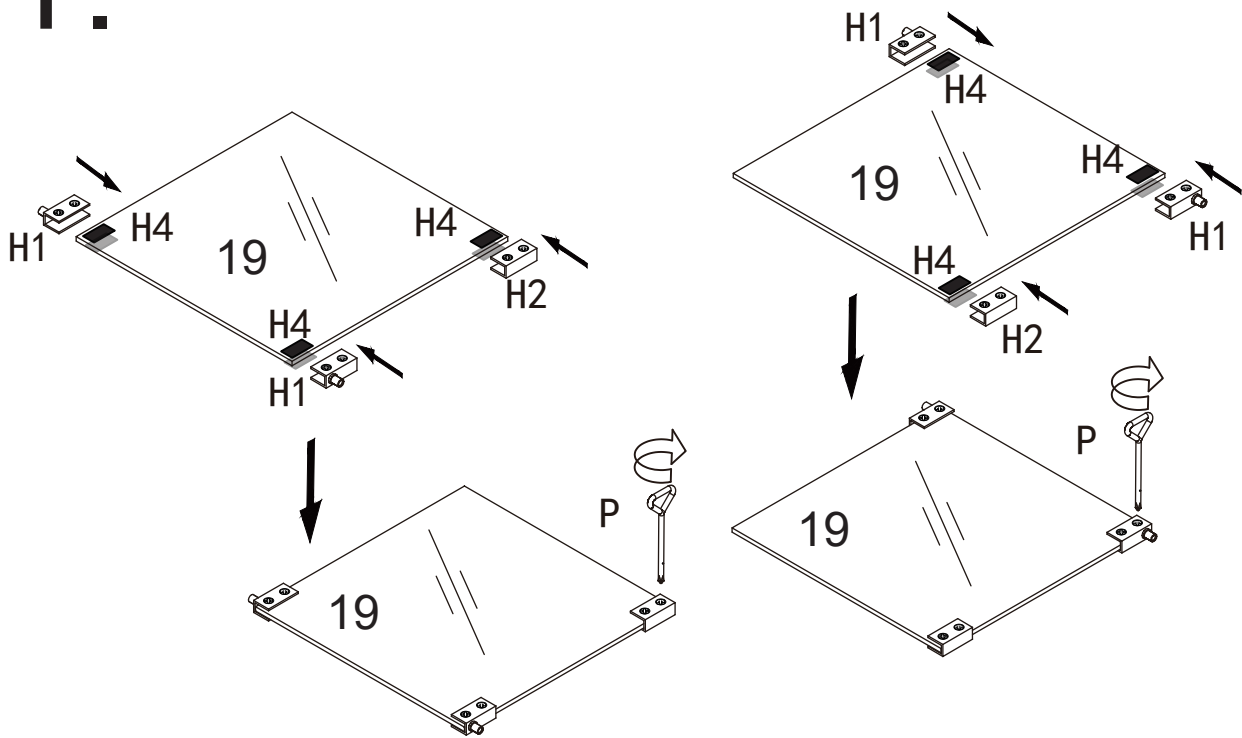
M\*8



# 20.



# 21.



H-H4\*12



H-H2\*2

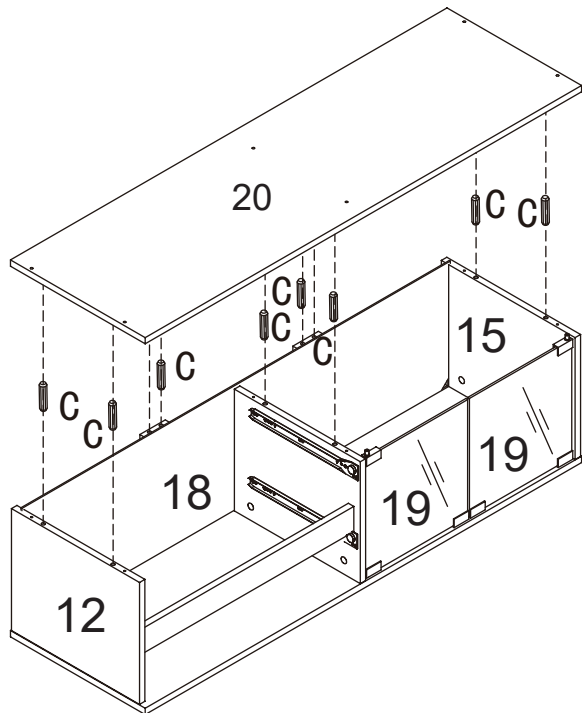
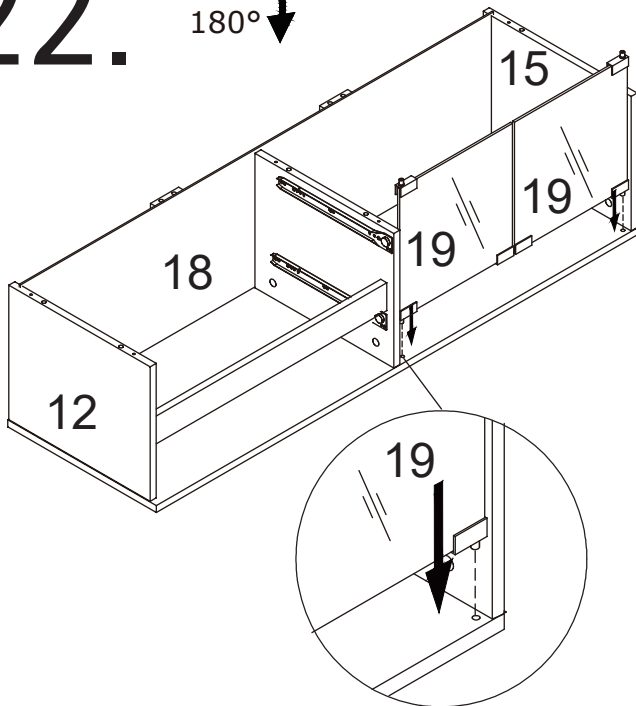


H-H1\*4



# 22.

180°

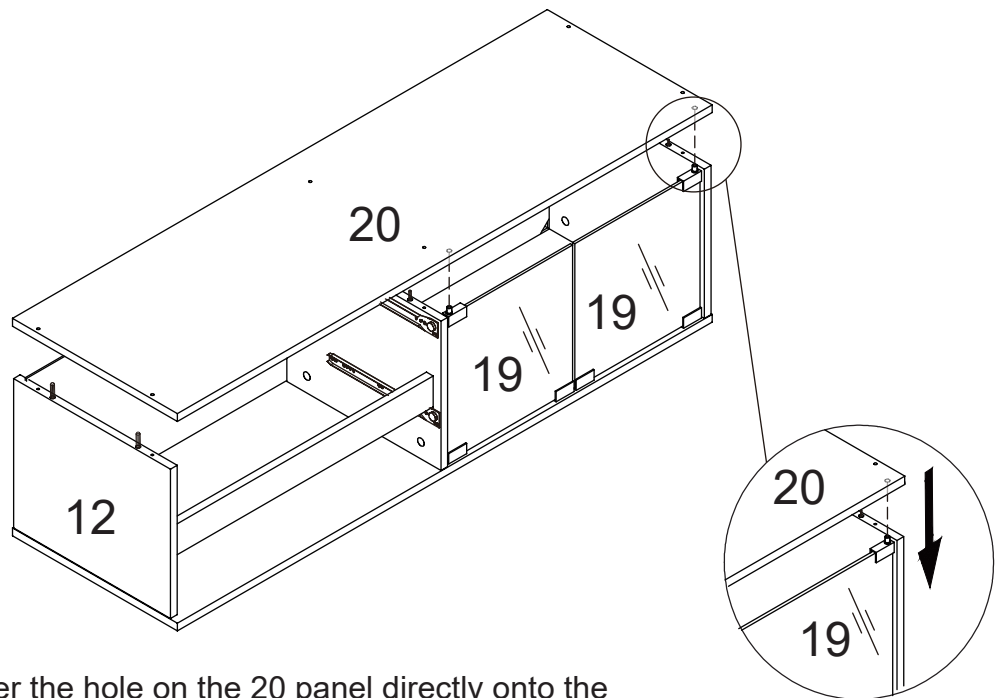


C\*8



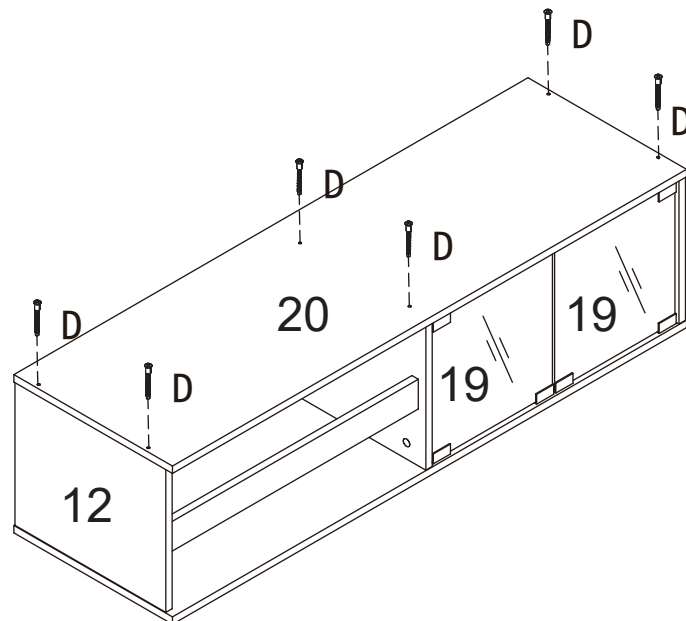
∅8 x 30 mm

# 23.



Cover the hole on the 20 panel directly onto the 19 glass clip, serving as a door panel pivot

# 24.

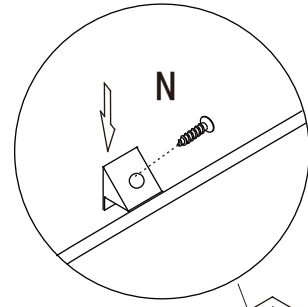
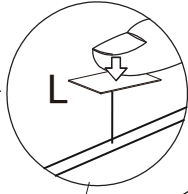


D\*6

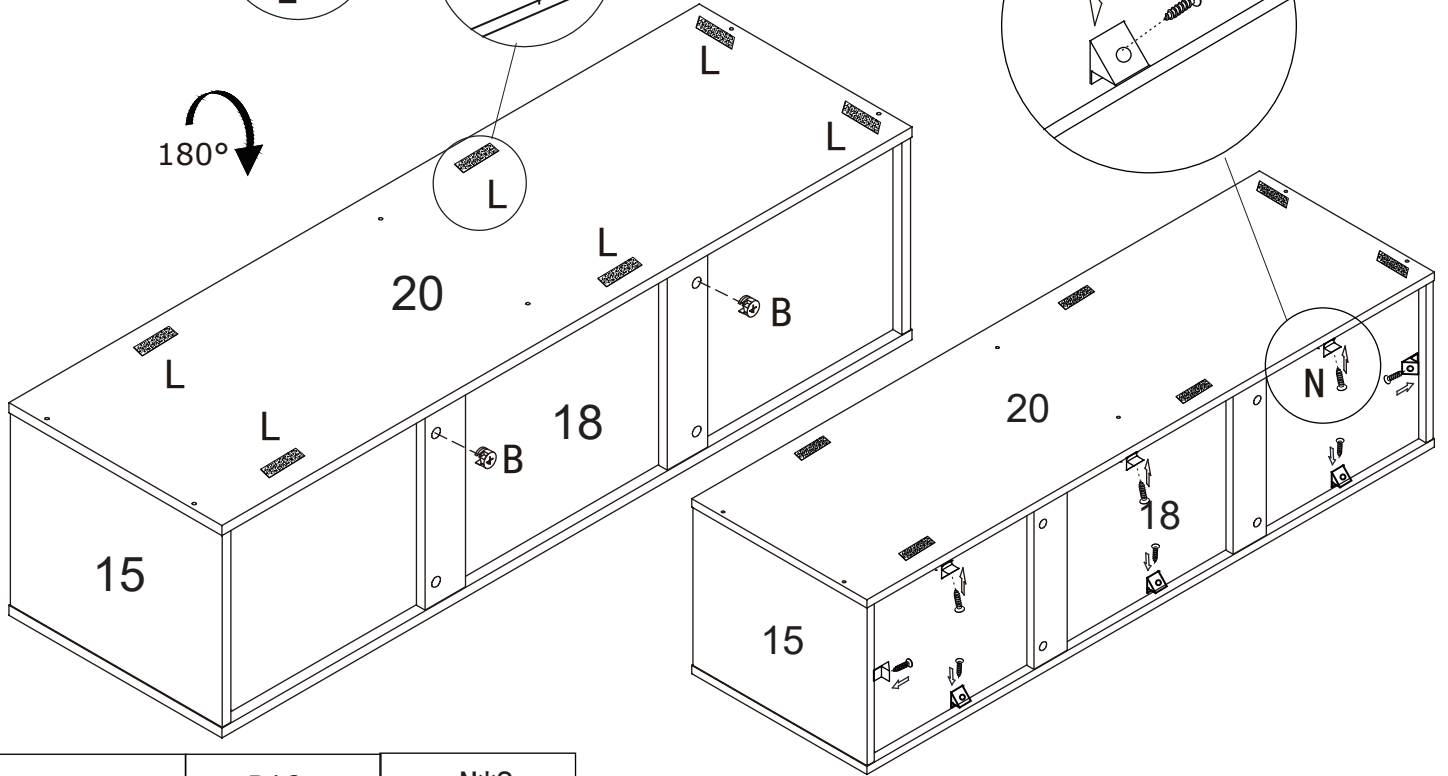


∅5 x 40 mm

# 25.



180°



L\*6



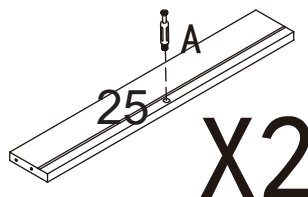
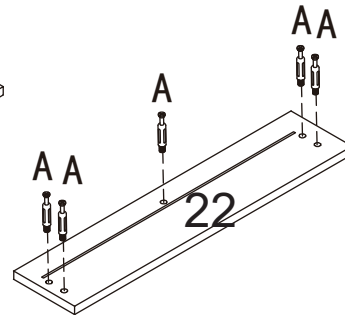
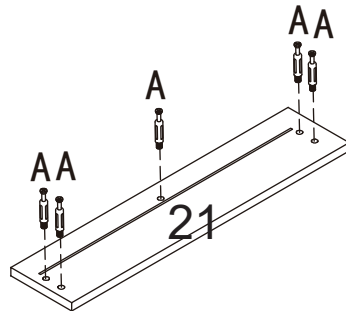
B\*2



N\*8



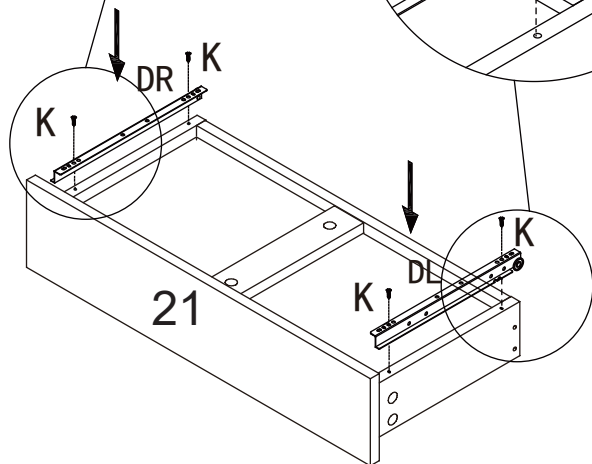
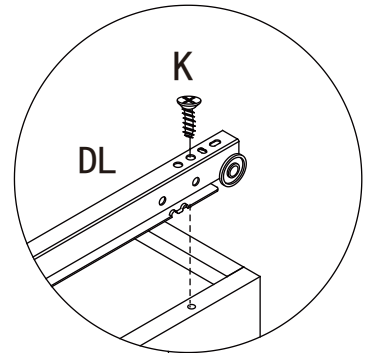
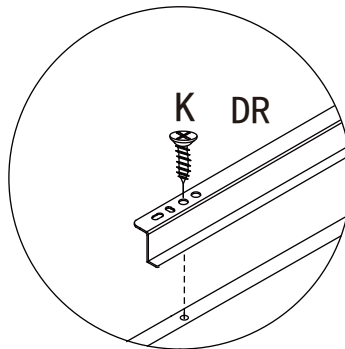
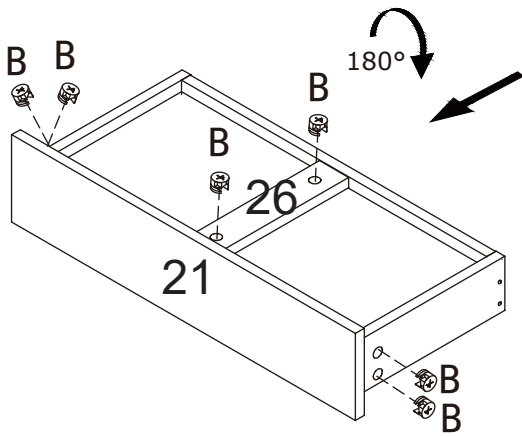
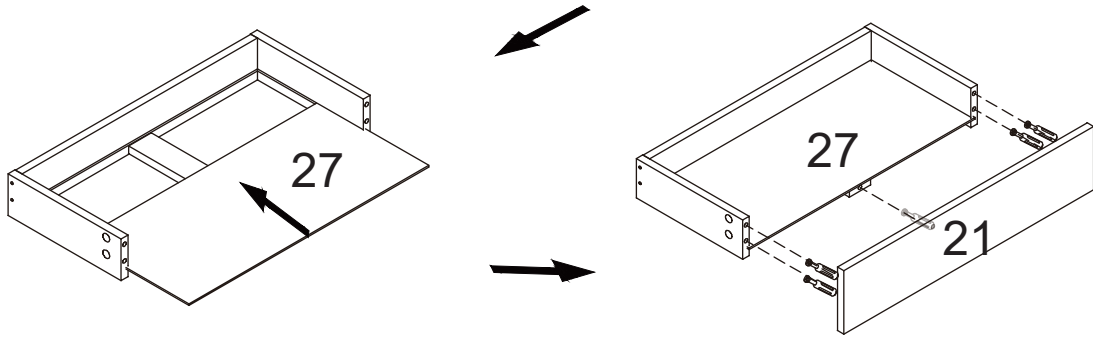
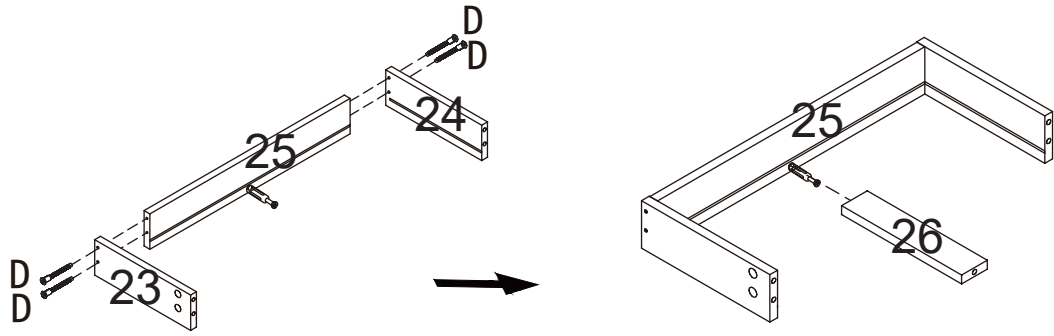
# 26.



A\*12



# 27.



B\*6



K\*4



∅ 3.5 x 14 mm

E-DL\*1



250mm

E-DR\*1



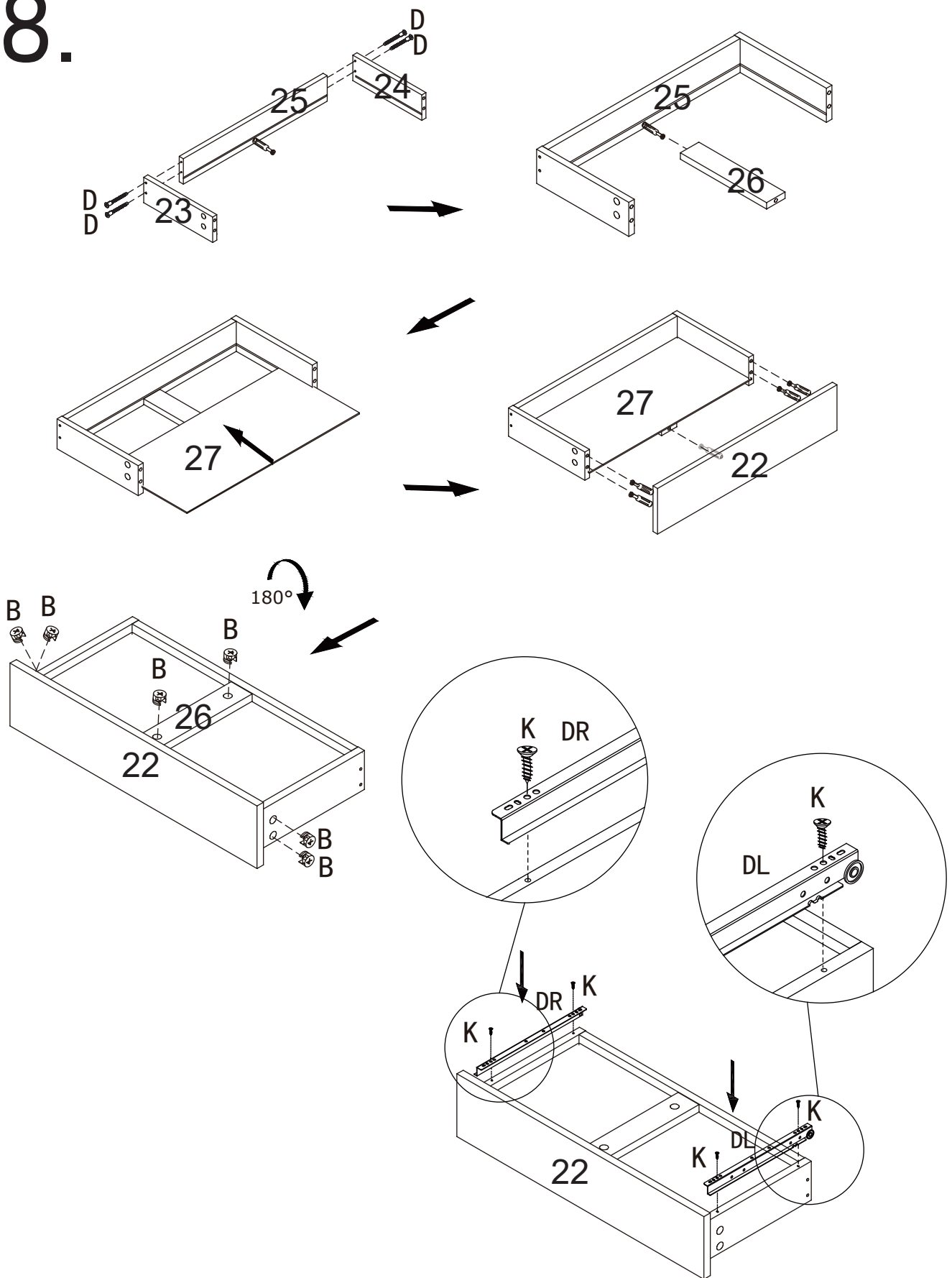
250mm






D\*4



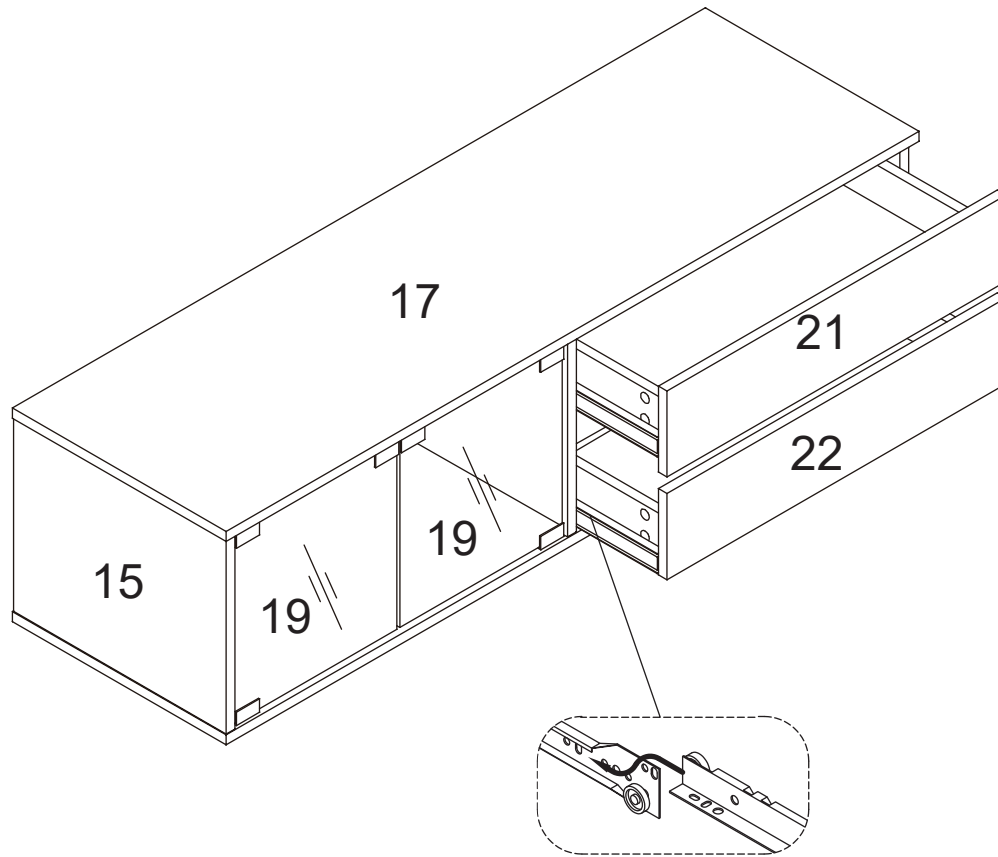
∅ 5 x 40 mm

# 28.



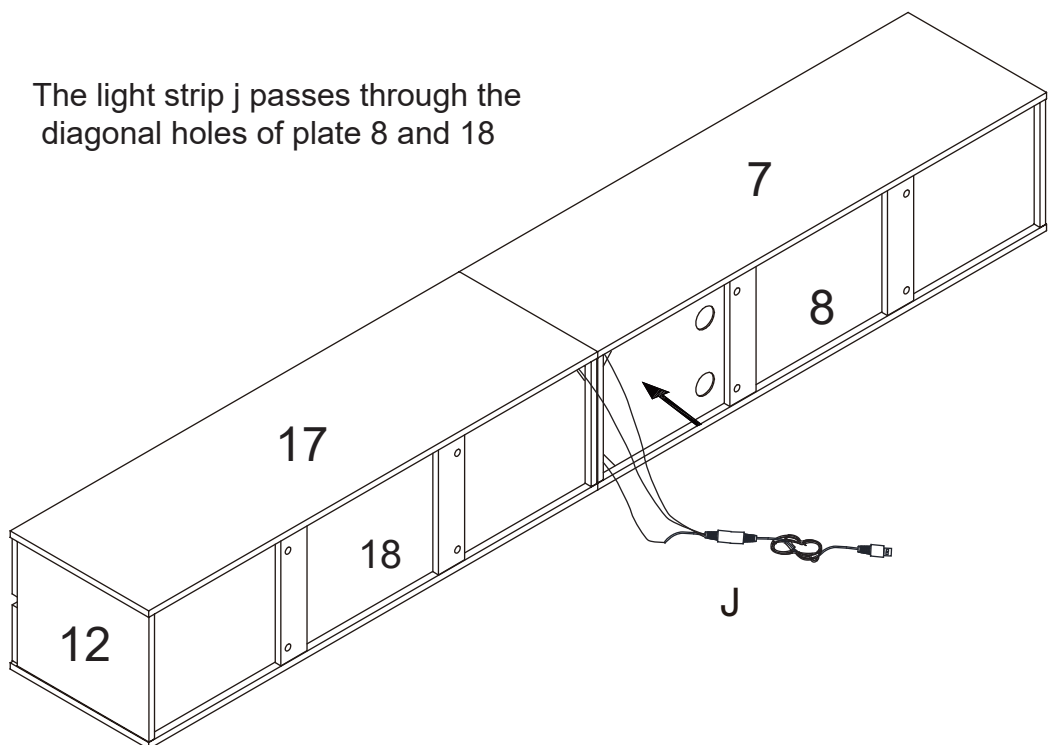
<p>B*6</p> 	<p>K*4</p>  <p>∅ 3.5 x 14 mm</p>	<p>E-DL*1</p>  <p>250mm</p>	<p>E-DR*1</p>  <p>250mm</p>	<p>D*4</p>  <p>∅ 5 x 40 mm</p>
--	---	--	--	---

# 29.

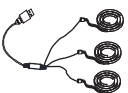


# 30.

The light strip j passes through the diagonal holes of plate 8 and 18

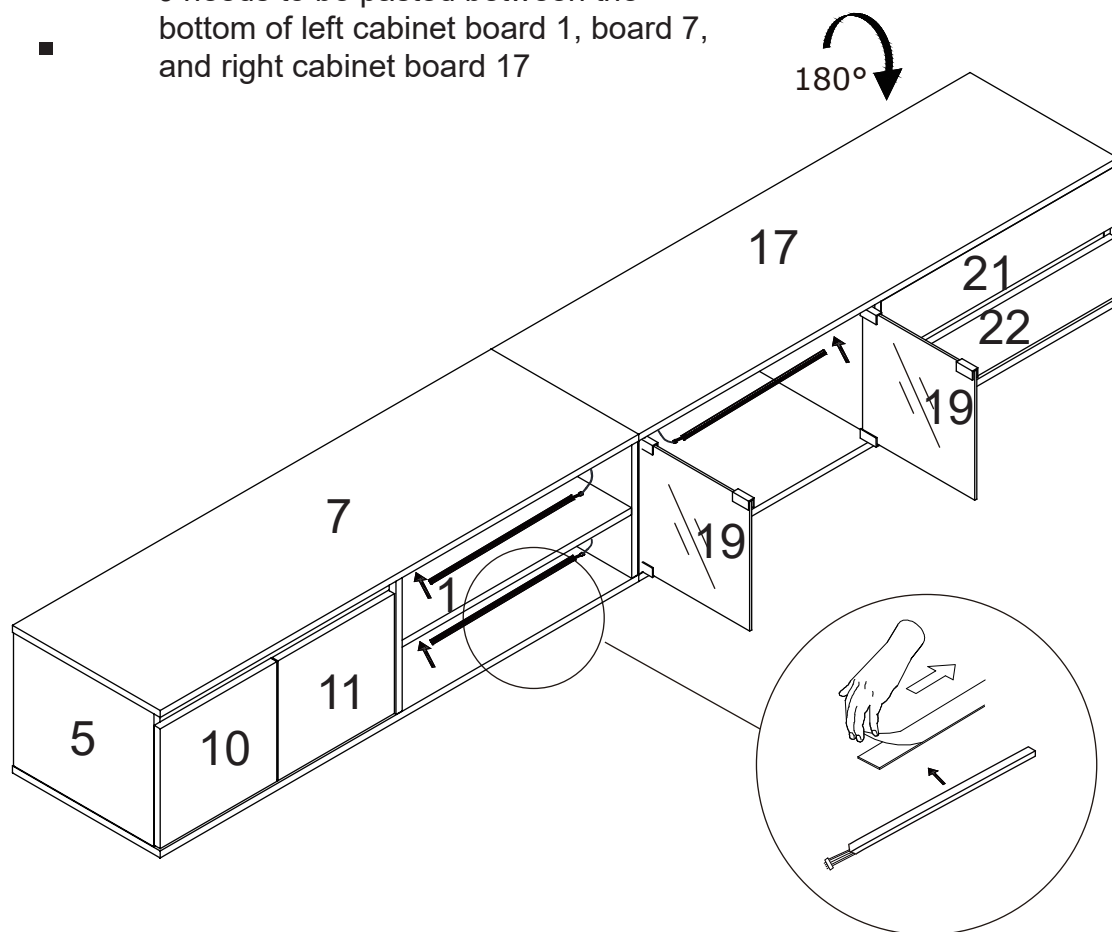


J\*1



# 31.

J needs to be pasted between the bottom of left cabinet board 1, board 7, and right cabinet board 17



# 32.

