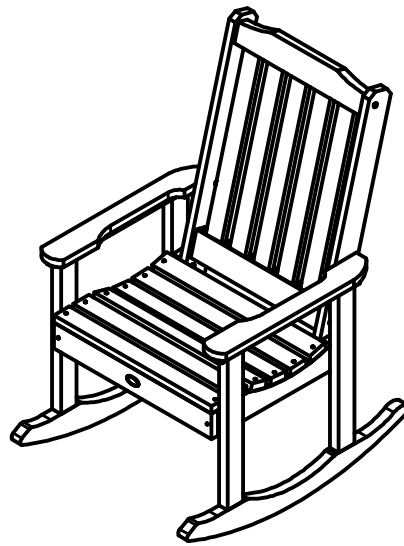


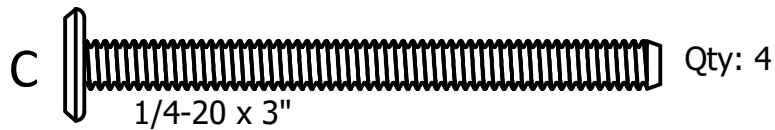
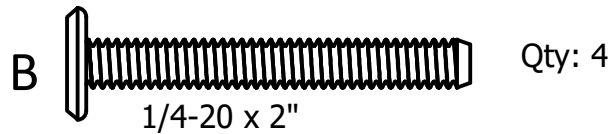
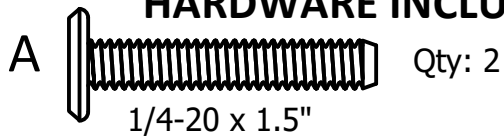
# Rocking Chair

## Assembly Guide

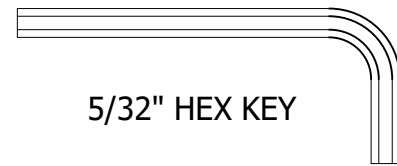


\*Actual Style May Vary from  
the One Pictured in this Guide

### HARDWARE INCLUDED

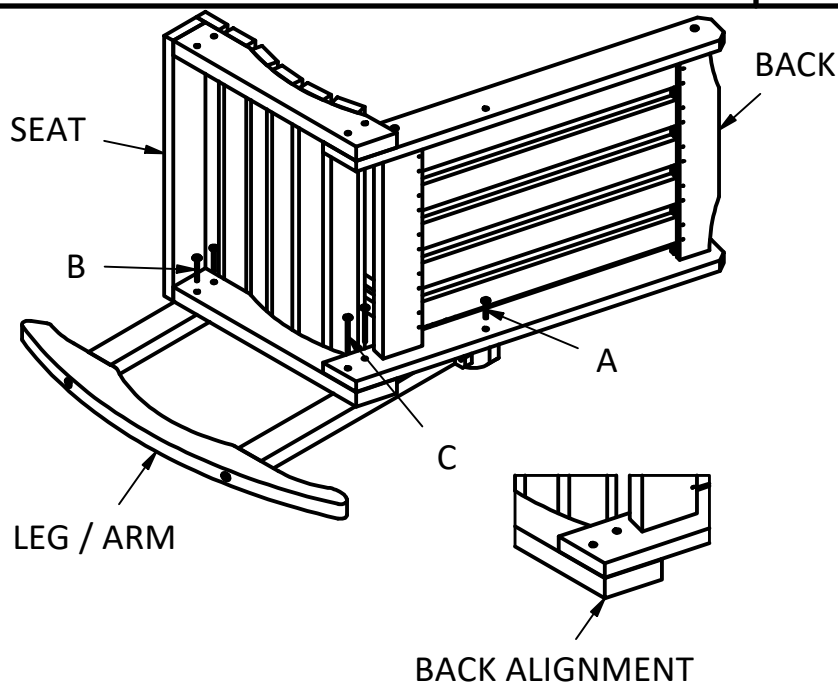


### TOOLS INCLUDED



### IMPORTANT!

DO NOT fully tighten bolts until all bolts are started.



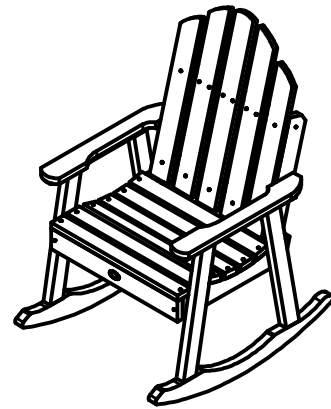
**1)** Attach Seat to Leg/Arm using  
(2) B bolts and (2) C bolts.  
(Align Back as shown for C bolts)

**2)** Attach Back to Leg/Arm  
using (1) A bolt

**3)** Repeat on other Side.

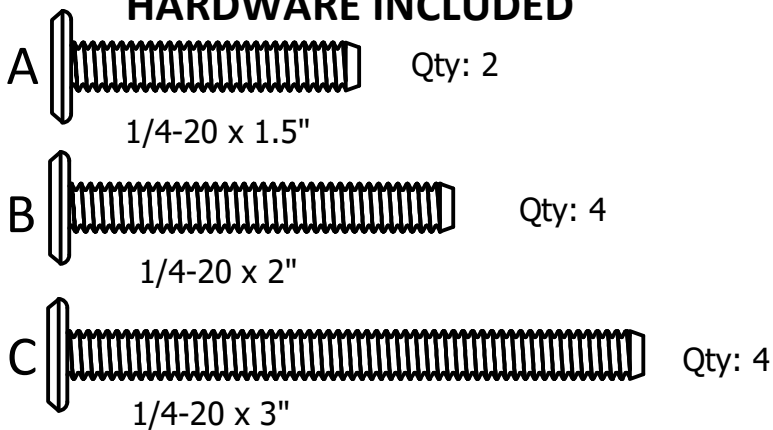
# Rocking Chair

## Assembly Guide

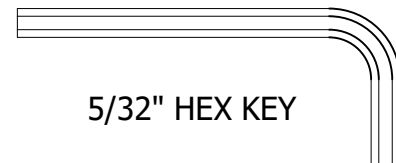


\*Actual Style May Vary from the One Pictured in this Guide

### HARDWARE INCLUDED

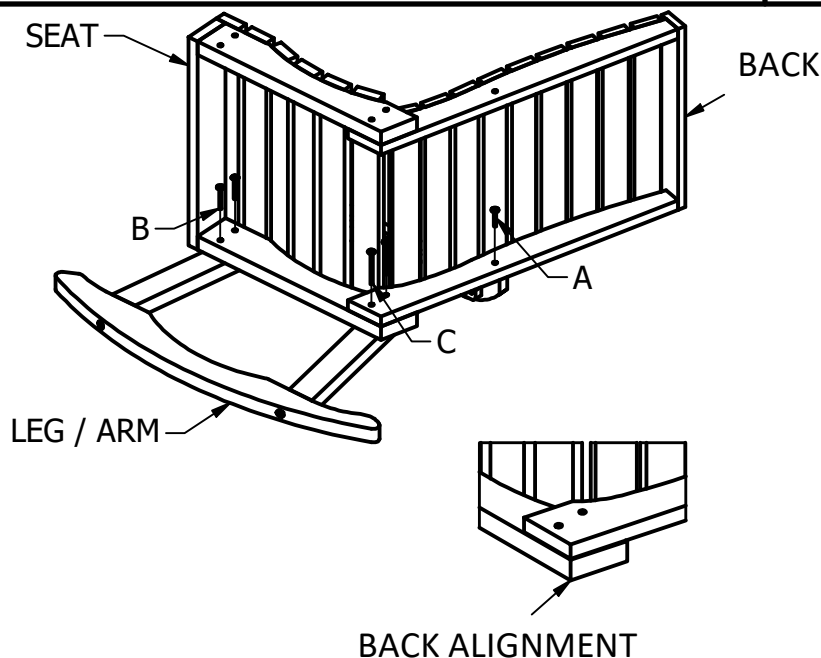


### TOOLS INCLUDED



### IMPORTANT!

DO NOT fully tighten bolts until all bolts are started.



- 1) Attach Seat to Leg/Arm using (2) B bolts and (2) C bolts. (Align Back as shown for C bolts)
- 2) Attach Back to Leg/Arm using (1) A bolt
- 3) Repeat on other Side.