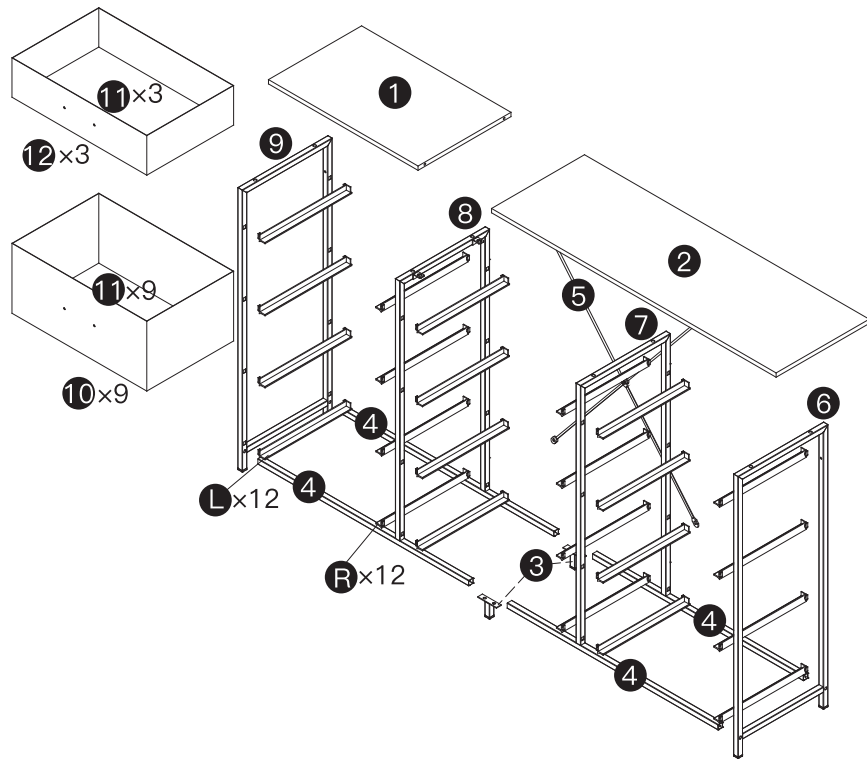


ASSEMBLY INSTRUCTION



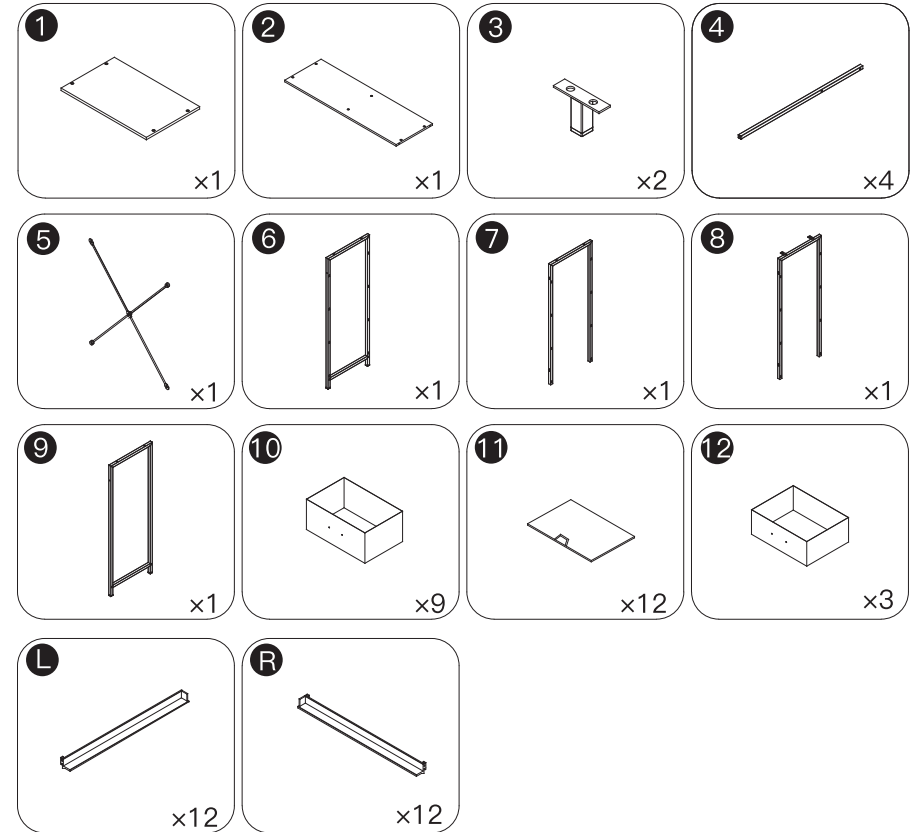
EXPLODED DRAWING:

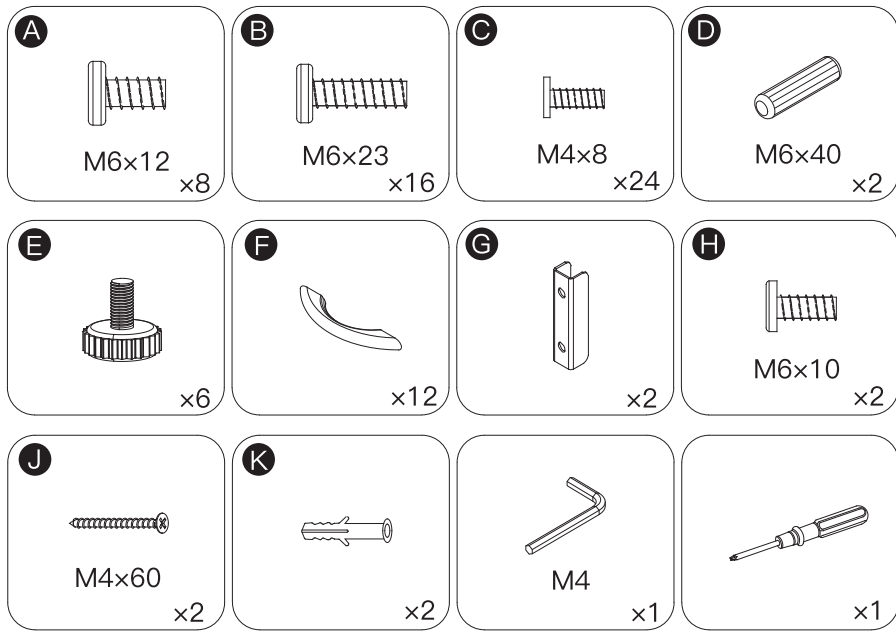


Please check all parts and accessories according to the parts list before assembling, make sure all contents are sufficient and in good condition.

If there is any parts missing or defective, please contact us immediately with purchase platform message to get replacement parts.

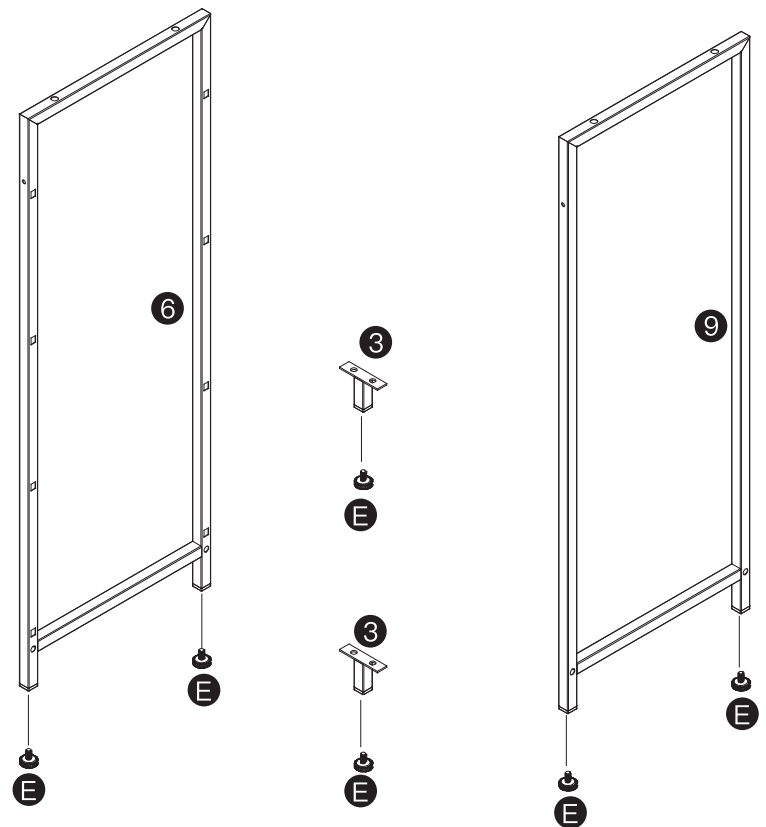
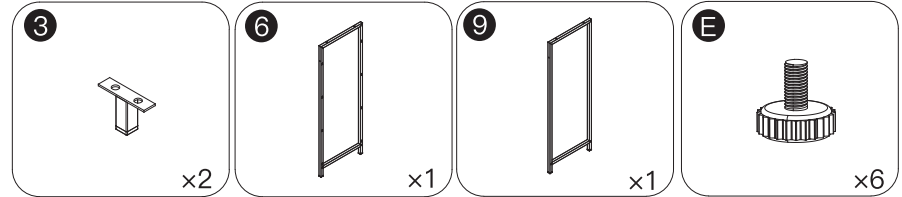
PARTS:



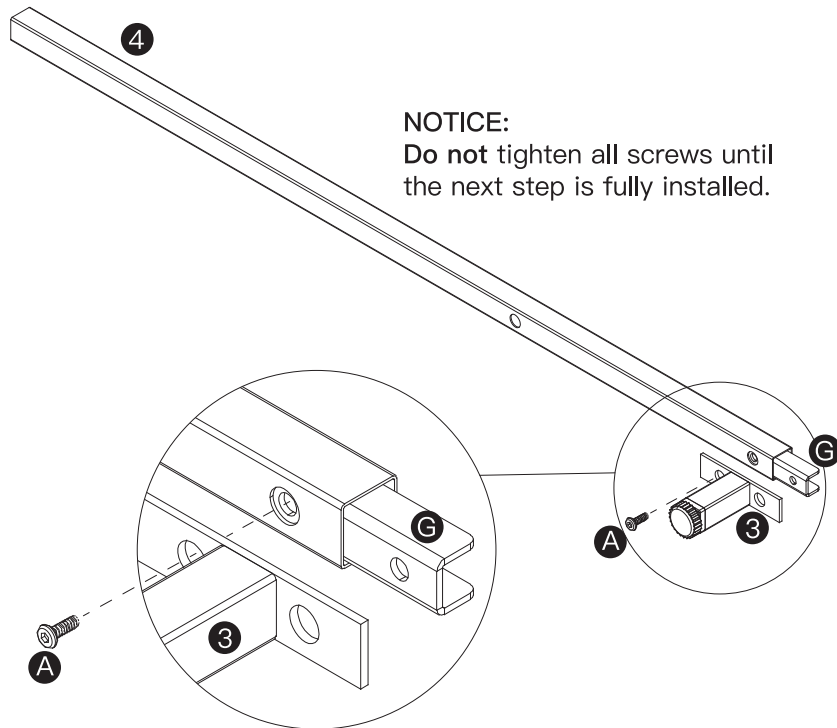
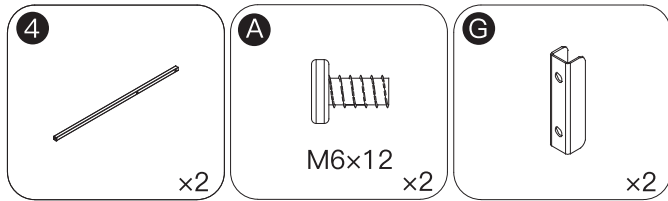


HOW TO INSTALL

STEP 1



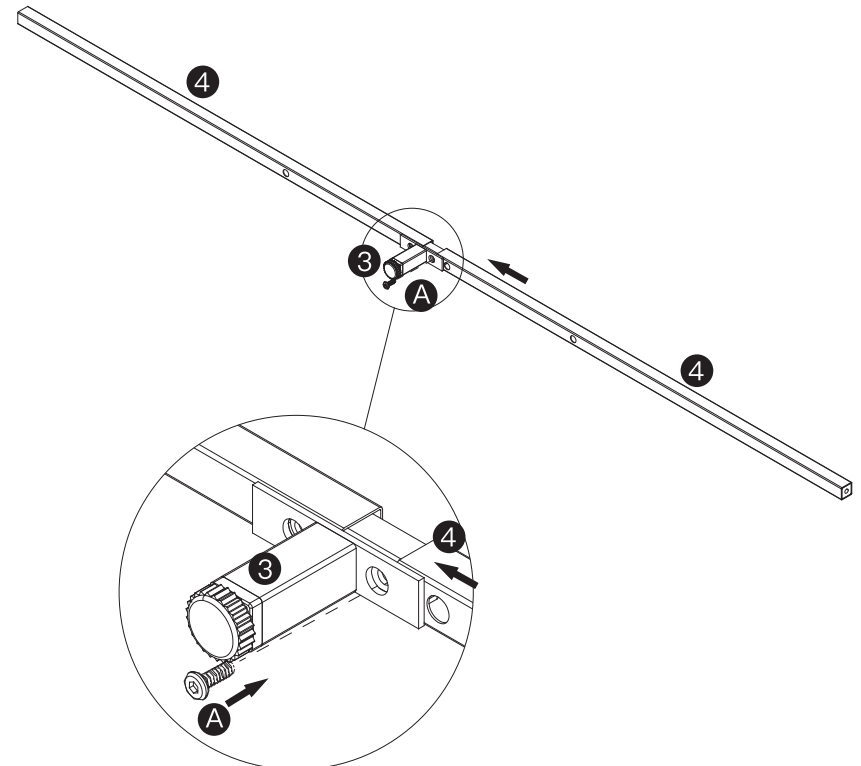
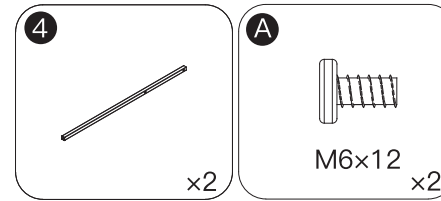
STEP 2



NOTICE:
Install as shown in the diagram.

x2

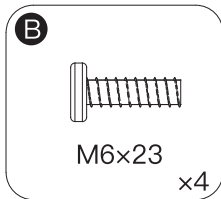
STEP 3



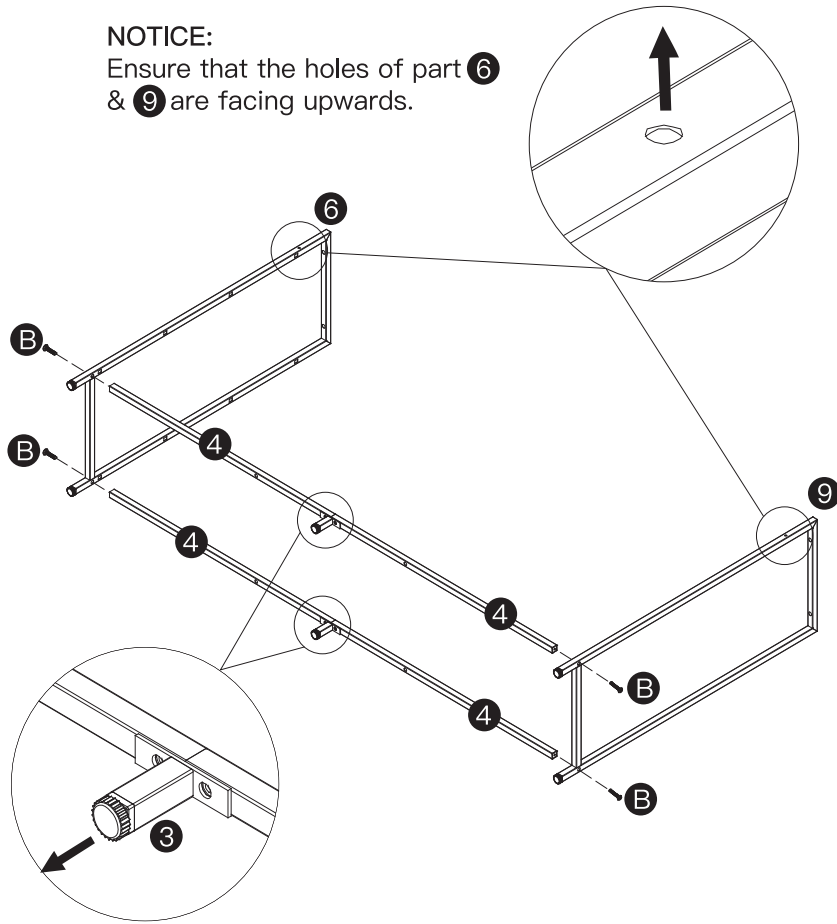
NOTICE:
Install as shown in the diagram.

x2

STEP 4

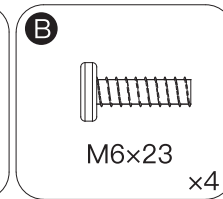
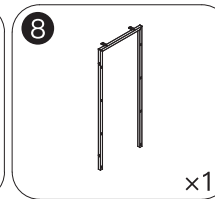
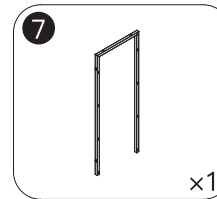


NOTICE:
Ensure that the holes of part **6**
& **9** are facing upwards.

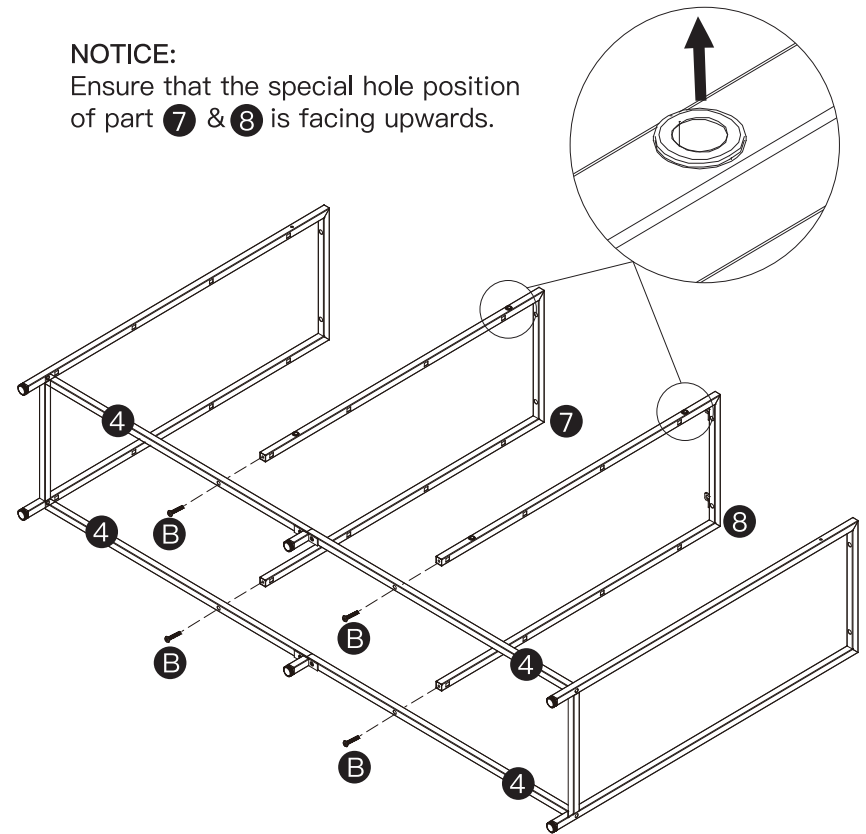


NOTICE:
Please pay attention to the direction of part **3**.

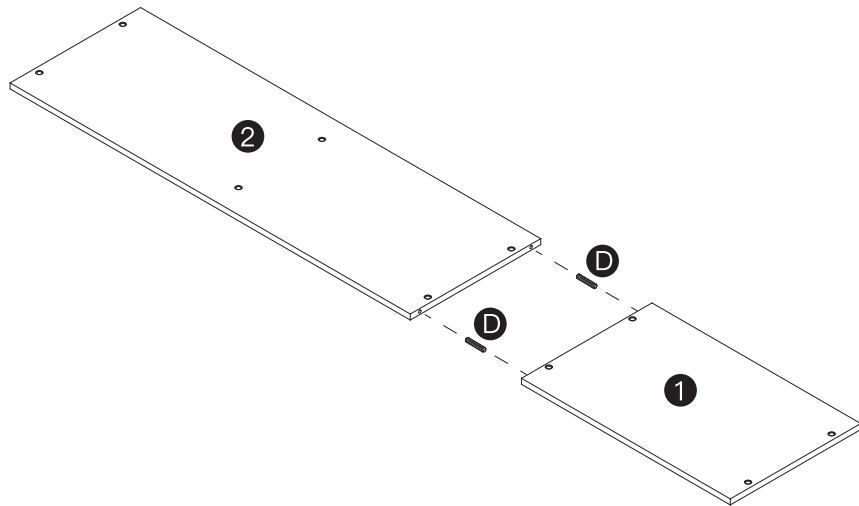
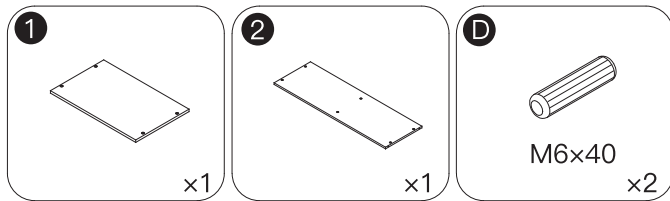
STEP 5



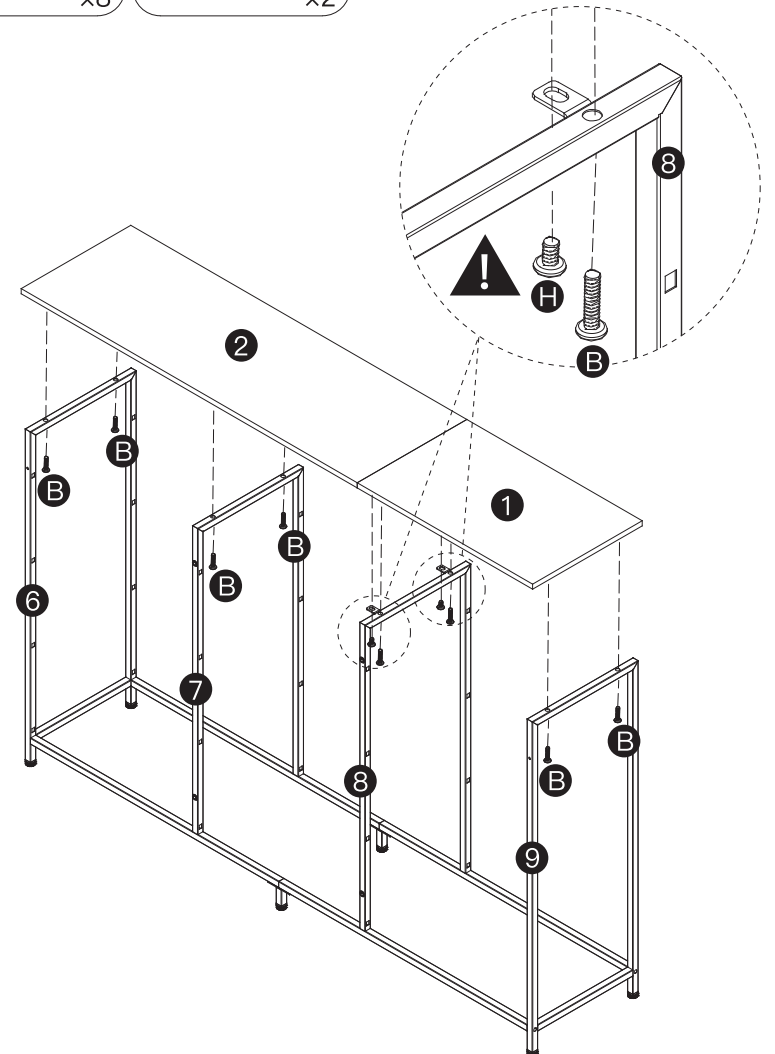
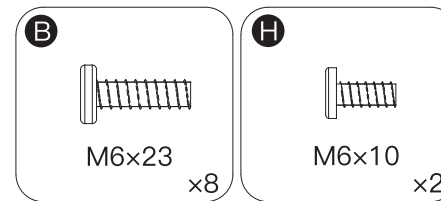
NOTICE:
Ensure that the special hole position
of part **7** & **8** is facing upwards.



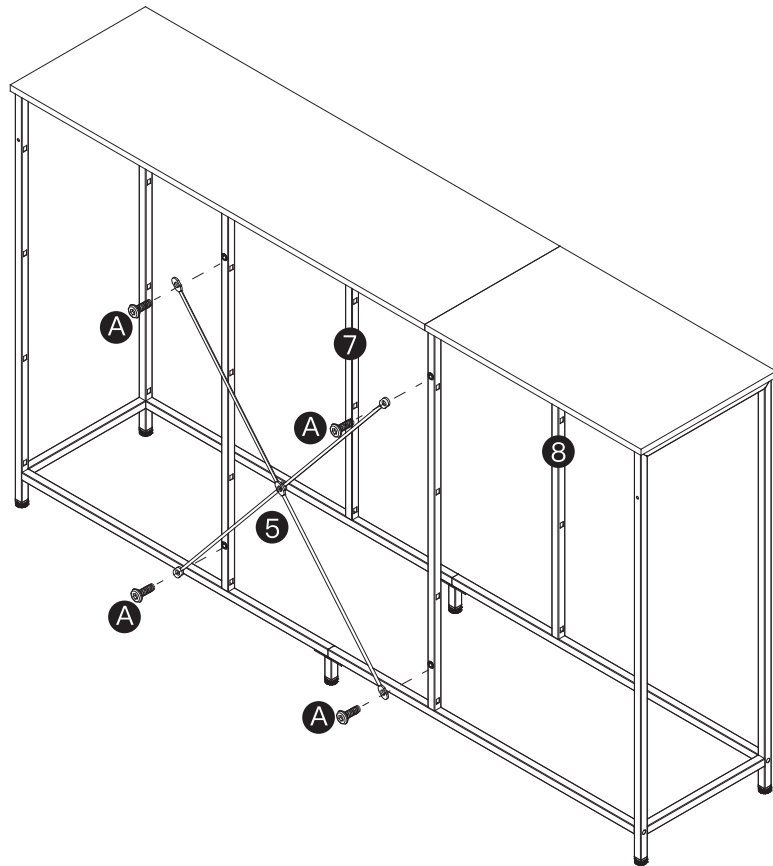
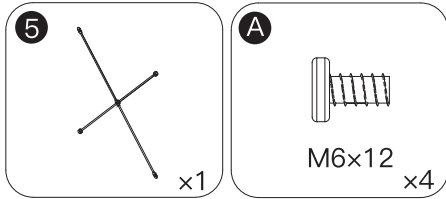
STEP 6



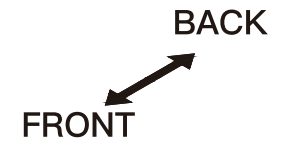
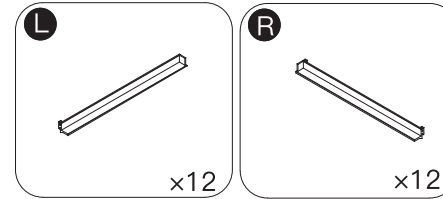
STEP 7



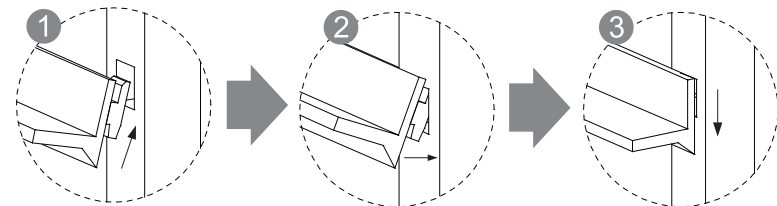
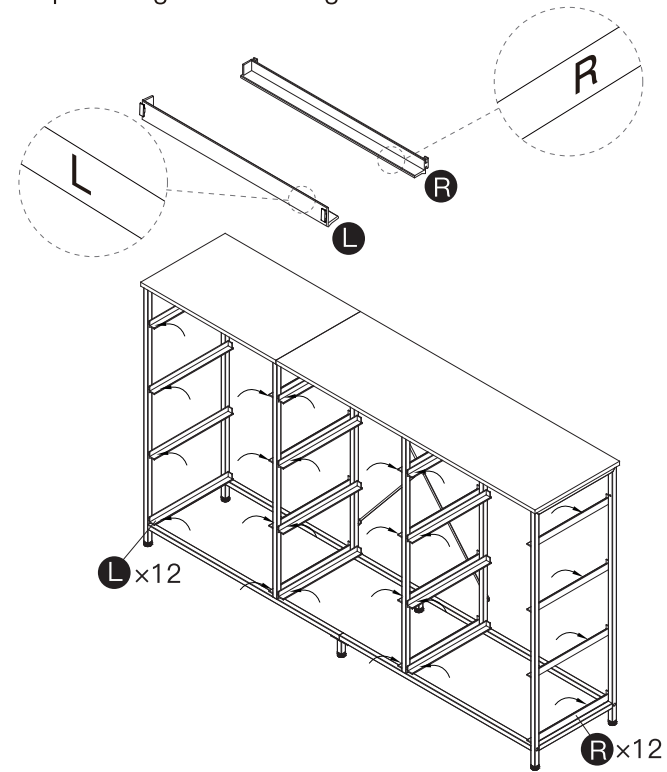
STEP 8



STEP 9



There's a corresponding L and R mark on each part located in a specified spot designed to distinguish them from each other easily.

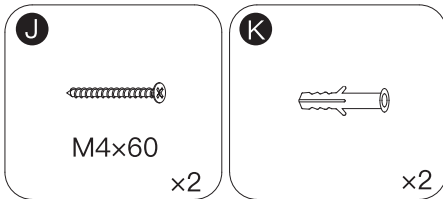


1 Insert the upper part into the square hole.

2 Then insert the rest part horizontally.

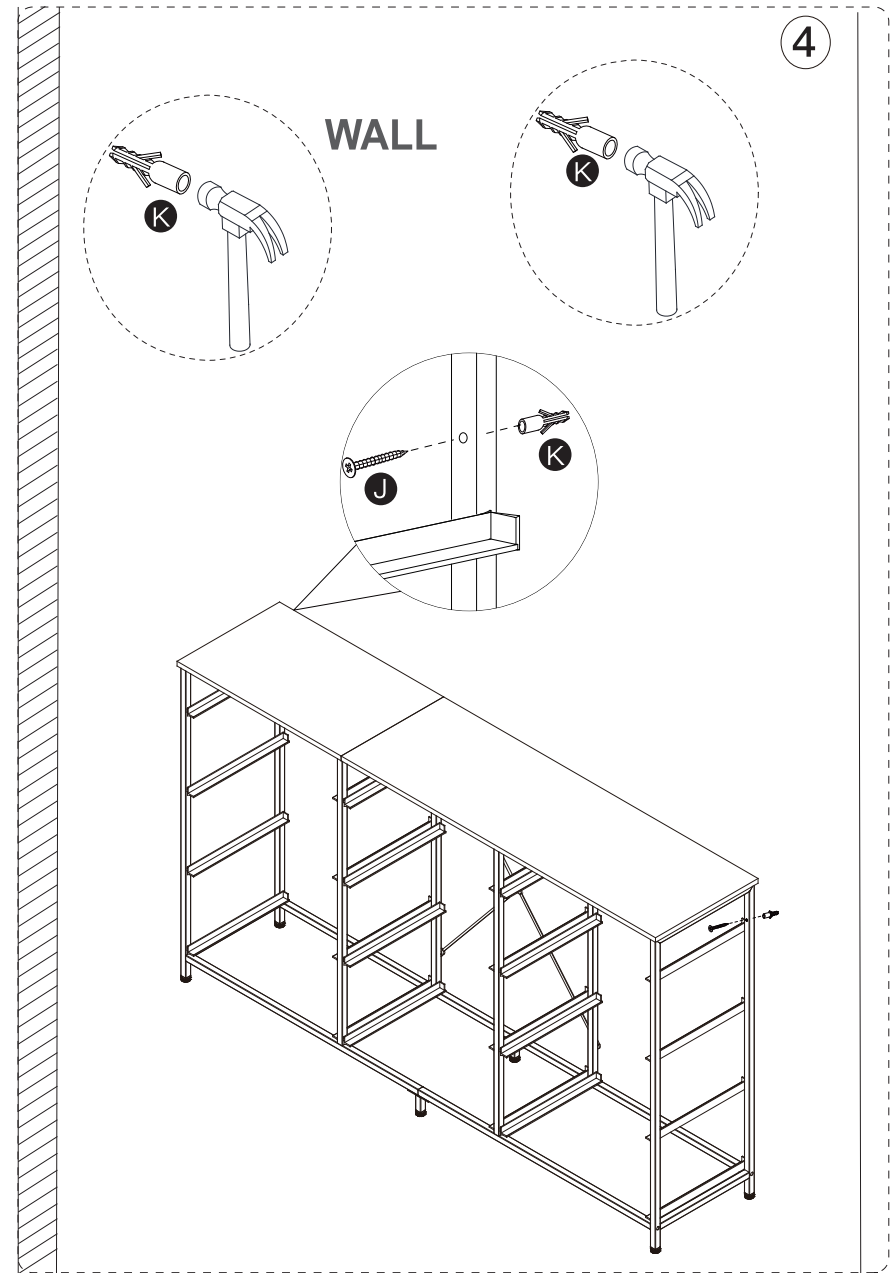
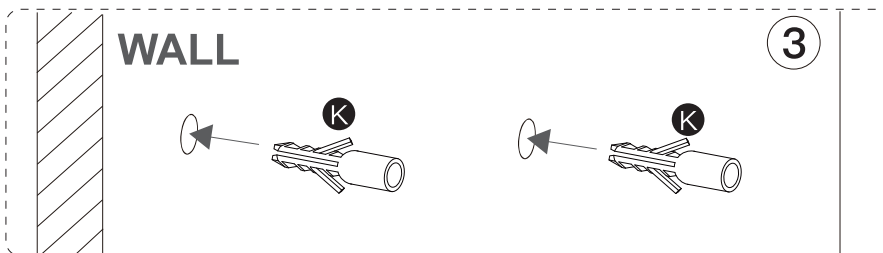
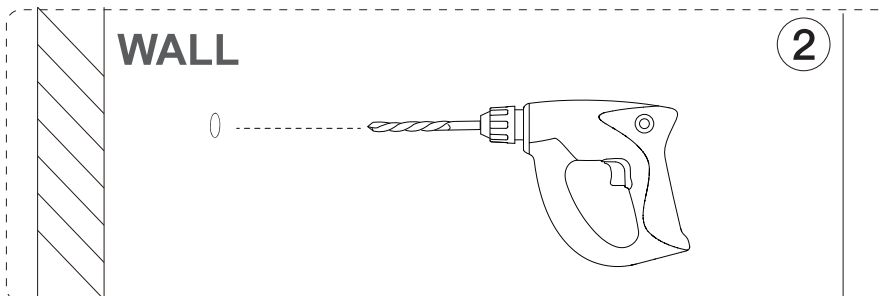
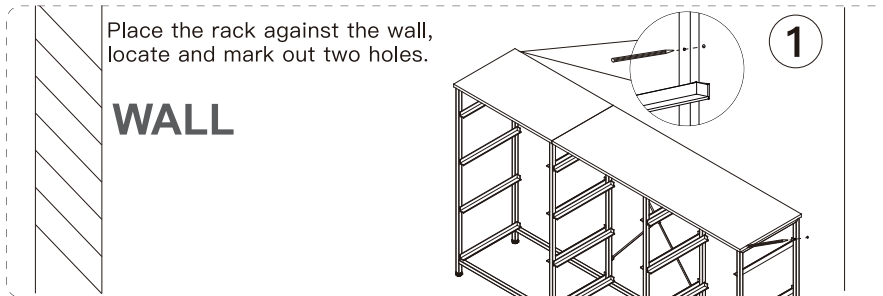
3 Press down the rail to ensure proper installation.

STEP 10

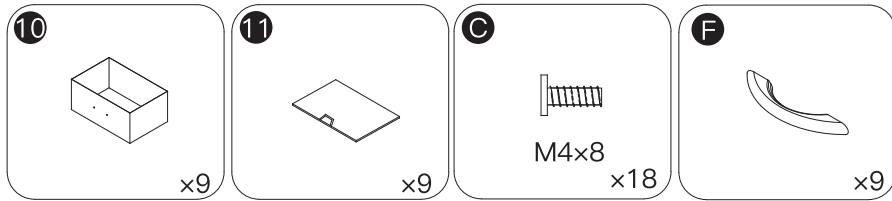


NOTICE:

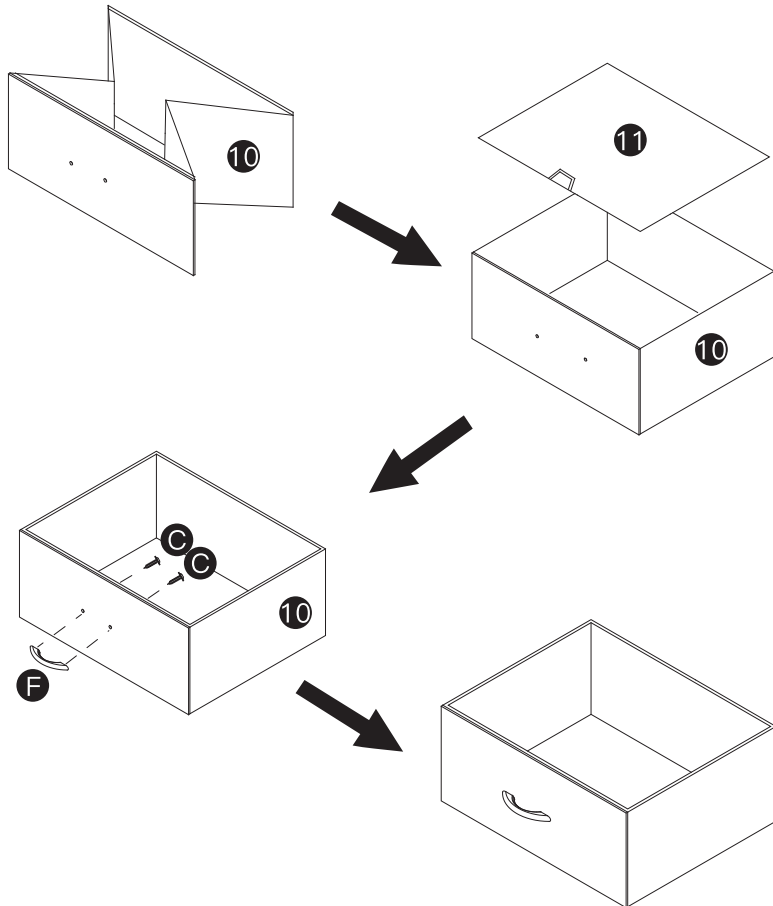
1. Electric drill and hammer does no tincluded in our parts, please prepare it by yourself.
2. Please install Anti-Tip Device Kit on flat walls.
3. Please choose the depth of drilling according to the material and hardness of your wall.



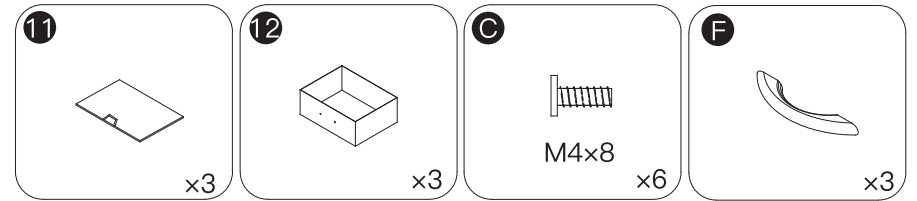
STEP 11



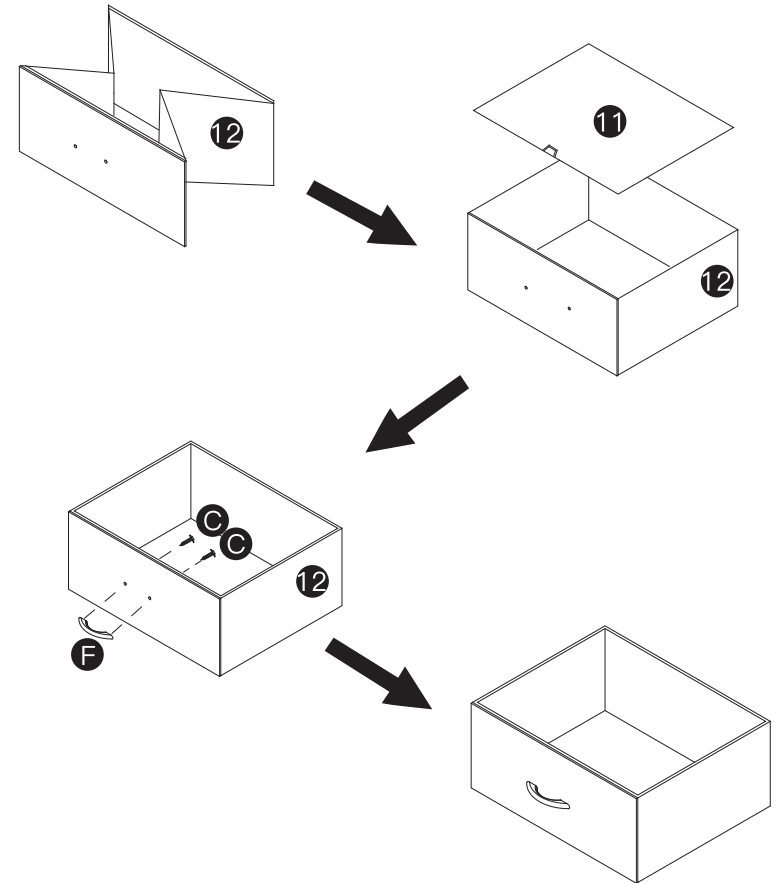
NOTICE:
Please pay attention to the direction of part 11 .



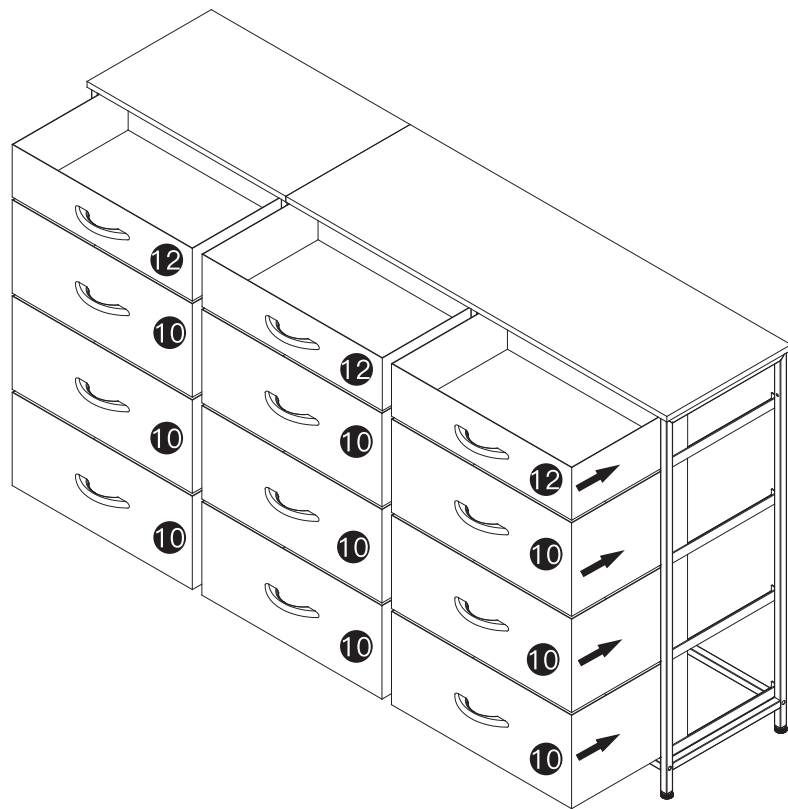
STEP 12



NOTICE:
Please pay attention to the direction of part 11 .



STEP 13



AFTERSALE SERVICE

Dear customer,

Thank you so much for purchasing the product from us, we really appreciate your support.

We are aimed to provide the best shopping experience to our customers. We also want to build a mutually beneficial relationship with our customers, and step further to make our brand both reliable, responsible and recommendable.

We hope that our products could meet your needs and expectations, please consider us again if you need more products for your home and kitchen.

The package would be out of our control during shipping, please contact us through your purchasing channel directly if there is anything wrong with the box or contents. We are always here offering you our service.

We will reply your messages as soon as possible, please kindly wait for the response from our team.

Your comfort and contentment are of utmost importance.

Best Regards,
Customer Care Specialist