

BOOK CASE

ASSEMBLY INSTRUCTION



ASSEMBLY INSTRUCTION

ASSEMBLY TIPS:

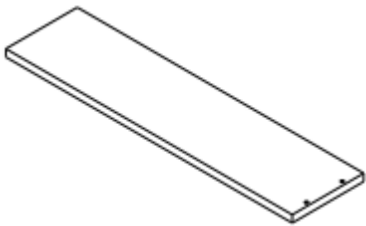

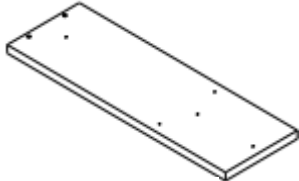
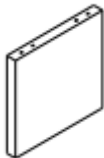
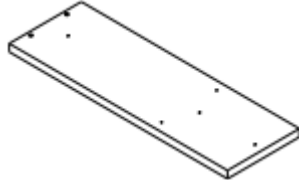
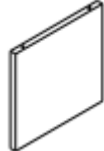
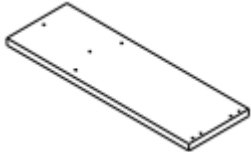
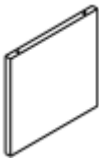
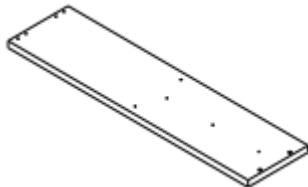

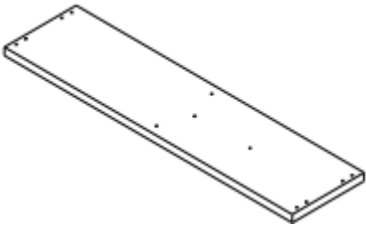
- 1.Remove hardware from box and sort by size.
- 2.Please check to see that all hardware and parts are present prior to start of assembly.
- 3.Please follow attached instructions in the same sequence as numbered to assure fast & easy assembly.




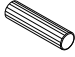
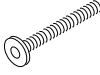


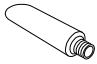


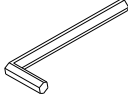
Warning!!

- 1.Don't attempt to repair or modify parts that are broken or defective.Please contact the store immediately.
- 2.This product is for home use only and not intended for commercial establishment.

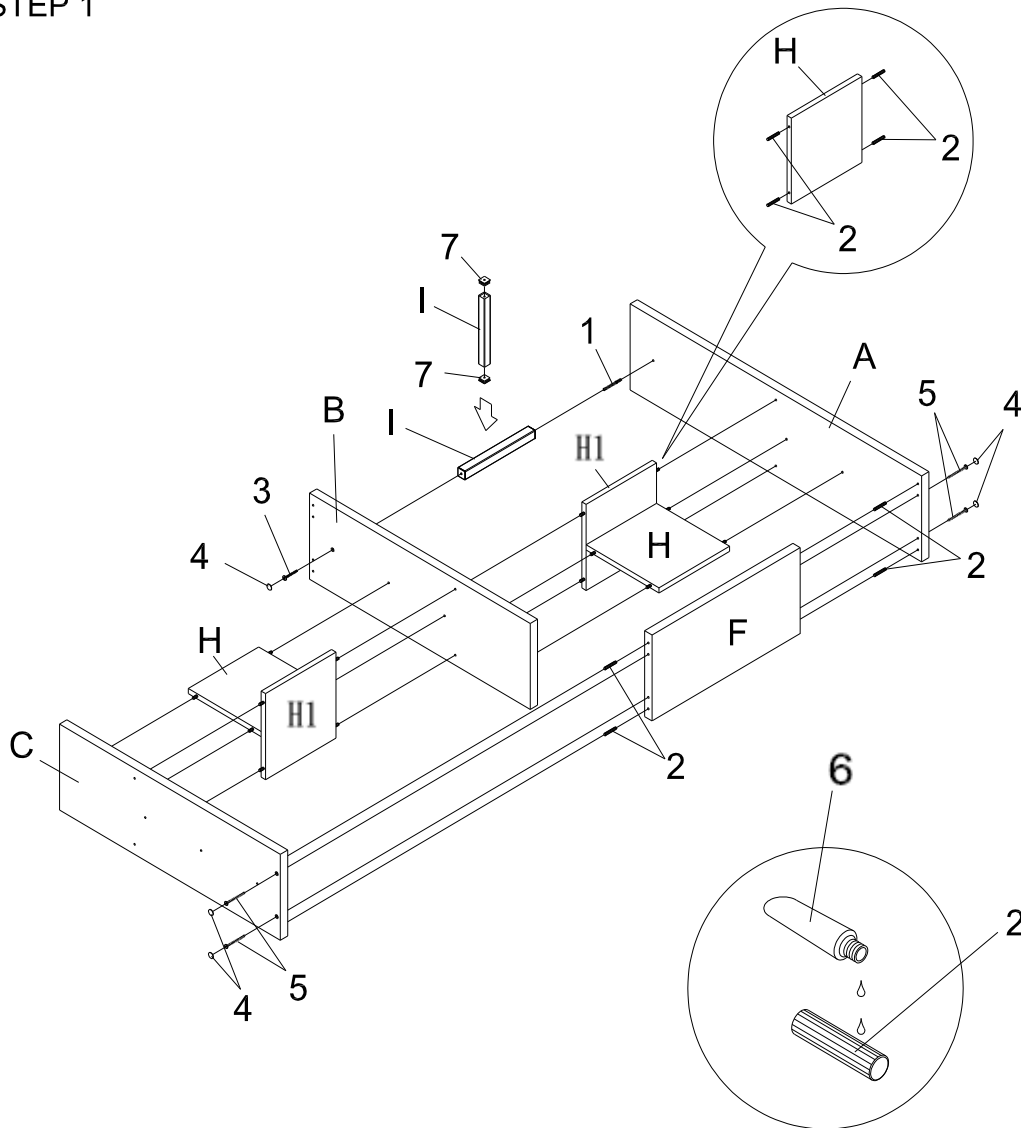
PARTS IDENTIFICATION

(A) TOP WOOD		1pc	(F) LARGE SIDE WOOD		3pcs
(B) LEFT SHELF WOOD		1pc	(G) SMALL SIDE WOOD		1pc
(B1) BOTTOM LEFT SHELF WOOD		1pc	(H1) MEDIUM SHELF WOOD		5pcs
(C) RIGHT SHELF WOOD		1pc	(H) SHELF WOOD		5pcs
(D) CENTER SHELF WOOD		1pc	(I) CROSS BAR		3pcs
(E) BOTTOM WOOD		1pc			

HARDWARE PACKAGE

Z	DESCRIPTION	FIGURE	Q'TY
1	THREADED ROD		3pcs
2	WOOD DOWEL		48pcs
3	LARGE ALLEN BOLT		3pcs
4	STICKER		16pcs
5	SMALL ALLEN BOLT		16pcs
6	GLUE		1pc
7	CAP		6pcs
8	FLOOR PROTECTOR		5pcs
9	ALLEN KEY		1pc

STEP 1

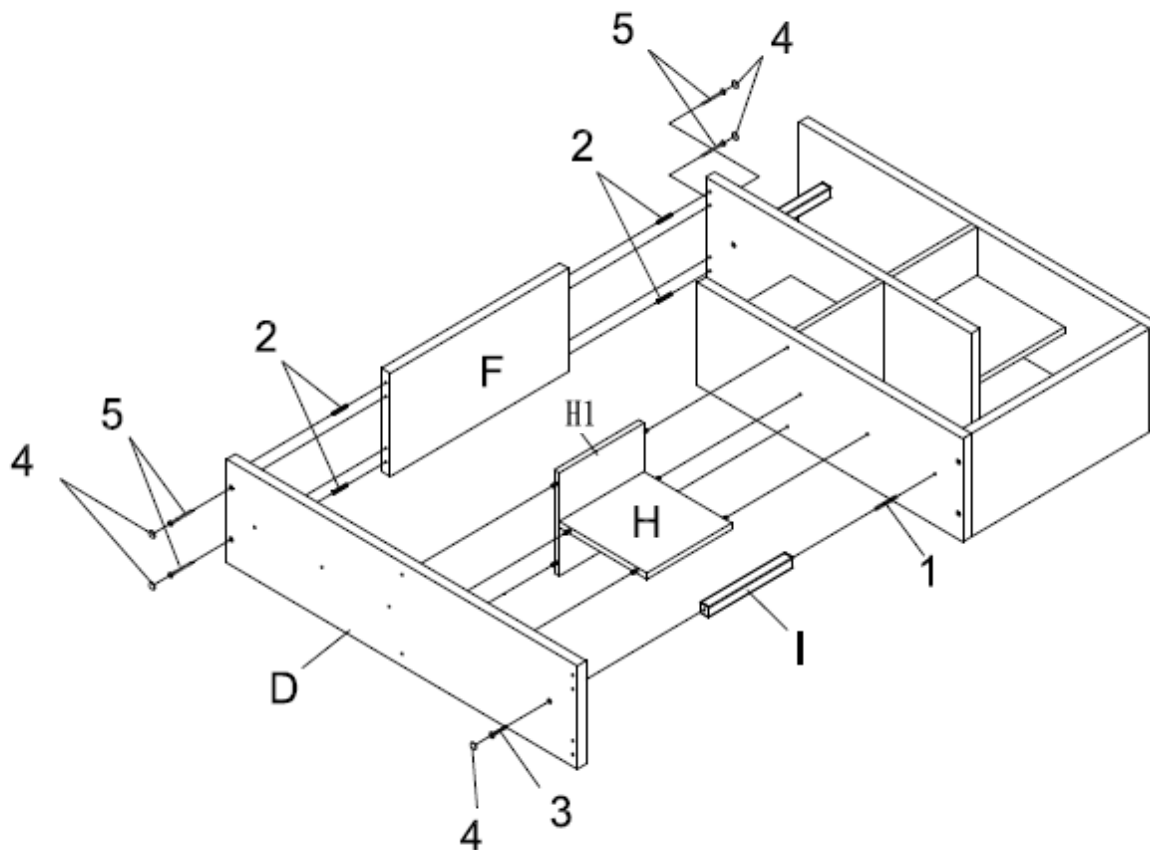


Product can be assemble facing down or up

STEP1:

1. Insert Wood Dowel (2) into Medium Shelf Wood (H1) and Shelf Wood (H) and Large Side Wood (F). Then insert Caps (7) into Cross Bar (I).
2. Connect Top Wood (A) with Medium Shelf Wood (H1) and Shelf Wood (H) and Large Side Wood (F) using Small Allen Bolt (5) and use Threaded Rod (1) to screw together Top Wood (A) and Cross Bar (I)
3. Connect Left Shelf Wood (B) with Medium Shelf Wood (H1) and Shelf Wood (H) then use Large Allen Bolt (3) on Left Shelf Wood (B) to screw together with Cross Bar (I)
4. Connect Right Shelf Wood (C) with Medium Shelf Wood (H) and Shelf Wood (H). Use Small Allen Bolt (5) on Right Shelf Wood (C) to screw together with Large Side Wood (F)

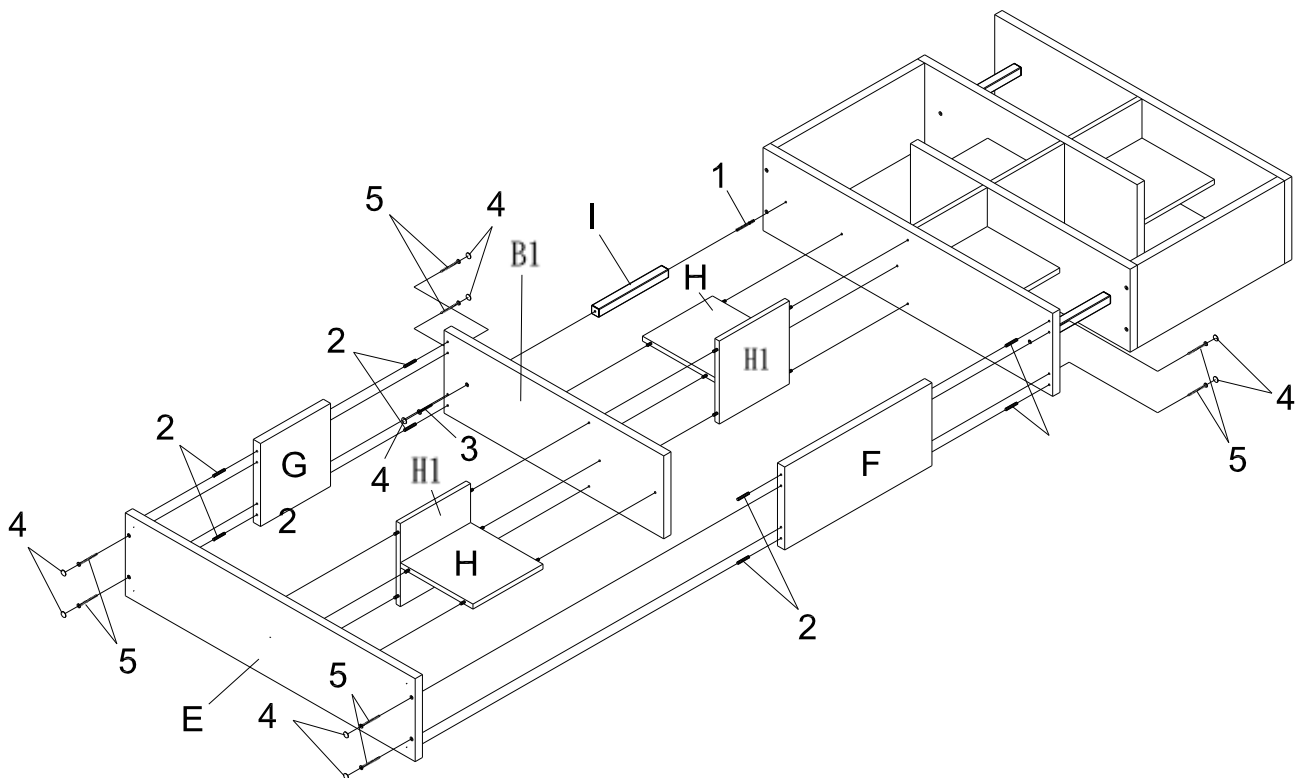
STEP 2



STEP2:

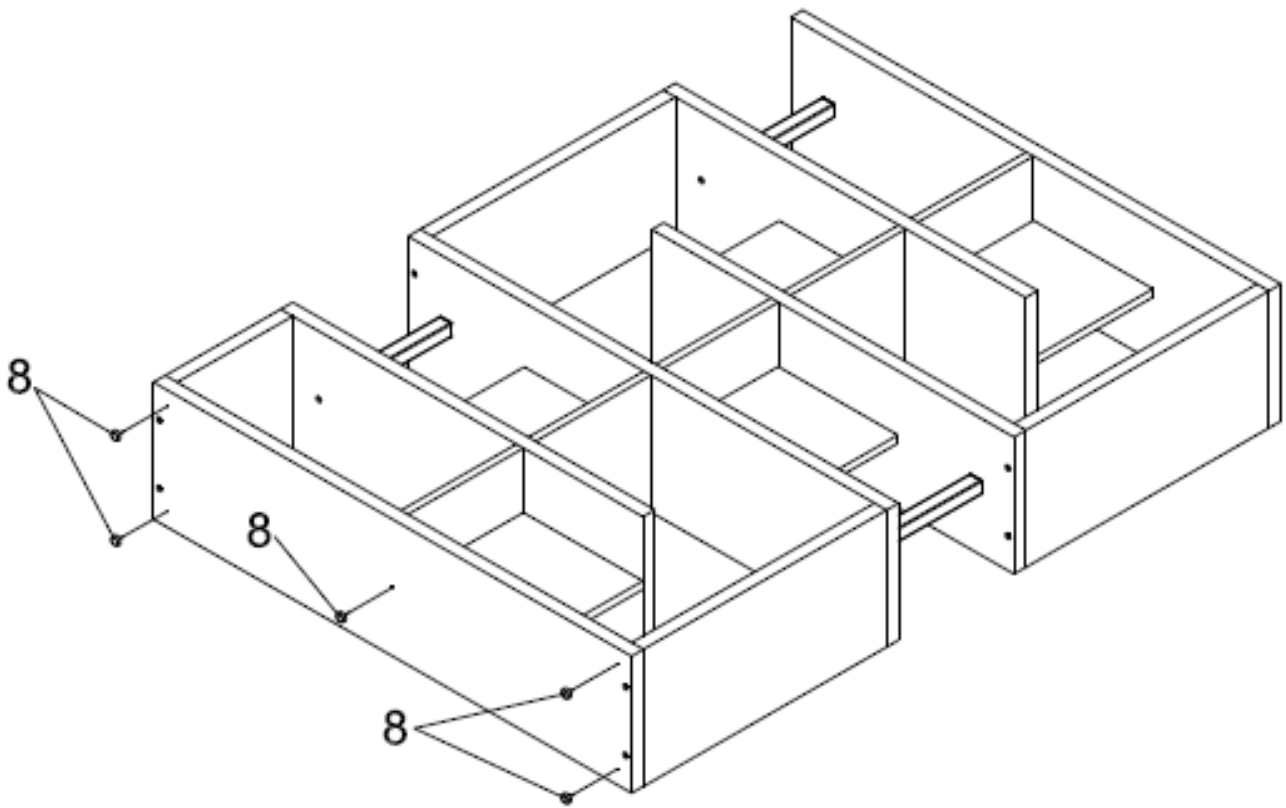
1. Insert Wood Dowel (2) into Medium Shelf Wood (H1) Shelf Wood (H) and Large Side Wood (F)
2. Connect Right Shelf Wood (C) and Center Shelf Wood (D) with Shelf Wood (H) then insert Left Shelf Wood (B) and Center Shelf Wood (D) onto Large Side Wood (F) and screw tight with Small Allen Bolt (5)
Use Threaded Rod (1) to tighten Right Shelf Wood (C) with Cross Bar (I)
USE Large Allen Bolt (3) on Center Shelf Wood (D) to screw together with Cross Bar (I)

STEP 3



STEP3:

1. Insert Wood Dowel(2) into Medium Shelf Wood(H1) and Shelf Wood(H) and Large Side Wood(F) and Small Side Wood(G) then Cross Bar(I) insert into Cap(7)
2. Insert Medium Shelf Wood(H1) and Shelf WOOD(H) and Large Side Wood(F) onto Center Shelf Wood(D) then tighten with Small Allen Bolt(5) Use Threaded Rod(1) to tighten Cross Bar(I) and Center Shelf Wood(D)
3. Insert Medium Shelf Wood(H1) and Shelf Wood(H) Large Side Wood(F) onto Center Shelf Wood(D) then use Small Allen Bolt(5) on Center Shelf Wood(D) to tighten with Large Side Wood(F)
4. Insert Large Side Wood(F) and Medium Shelf Wood(H1) and Shelf wood(H) onto Left Bottim Shelf Wood(B) and then tighten with Small Allen Bolt(5)
5. Insert Large Side Wood(F) and Small Side Wood(G) and Shelf Wood(H1) and Shelf Wood(H) onto Bottom Wood(E) and then tightened with Small Allen Bolt(5)
6. After all screws are screwed in and tightened, then use stickers(4) to tape over all screws

STEP 4

STEP4.

Nail Floor Protector(8) onto Bottom Wood(E)
Set the finished product standing up.

FINISH

