


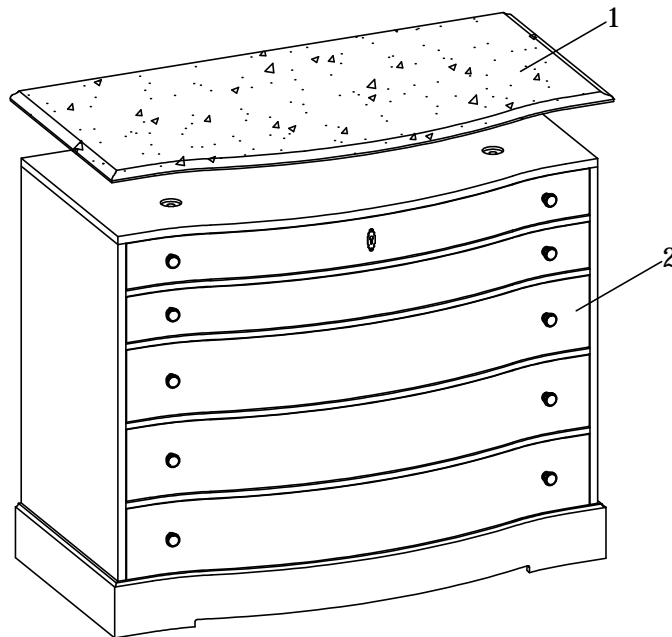
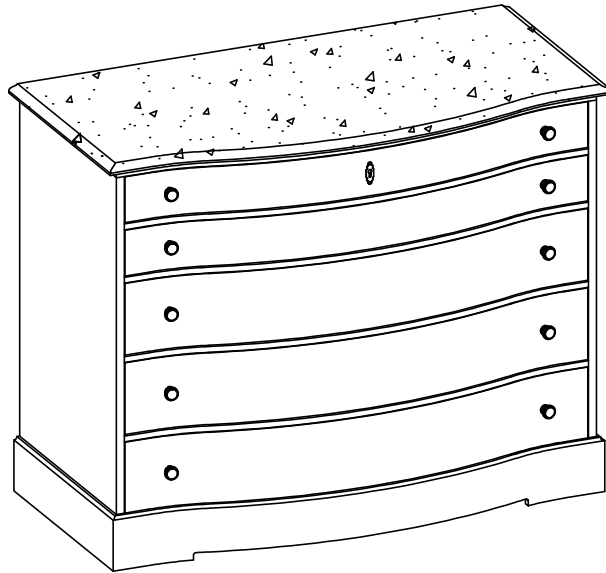
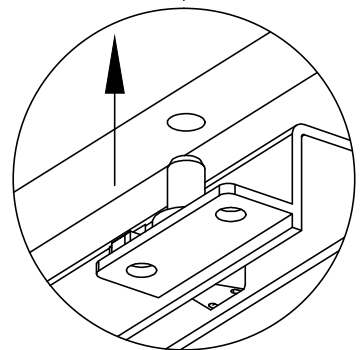
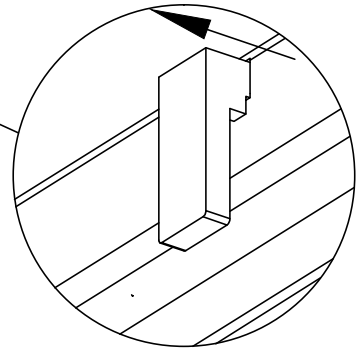
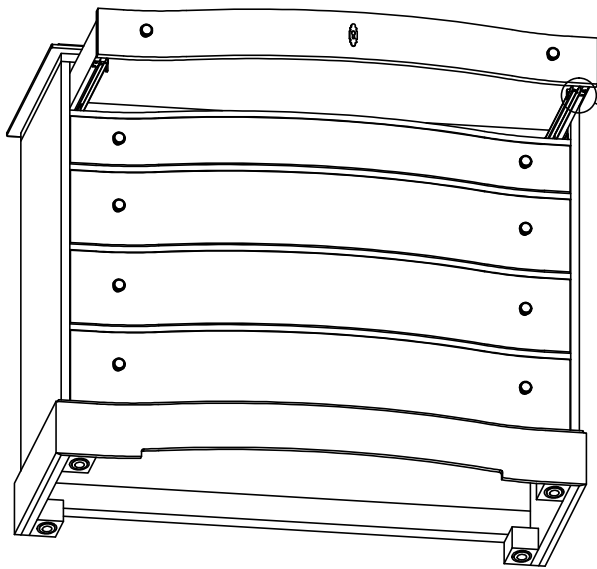


ASSEMBLY INSTRUCTION FOR MODEL: LENAD RESSER

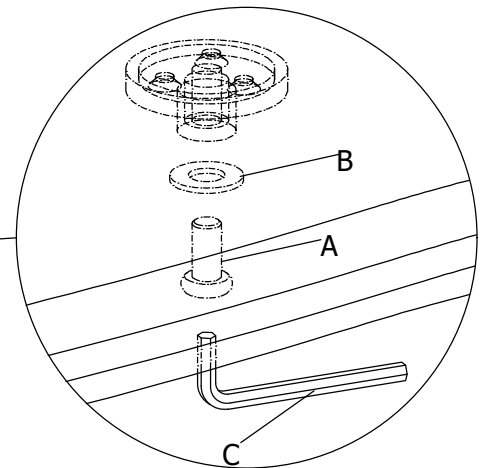
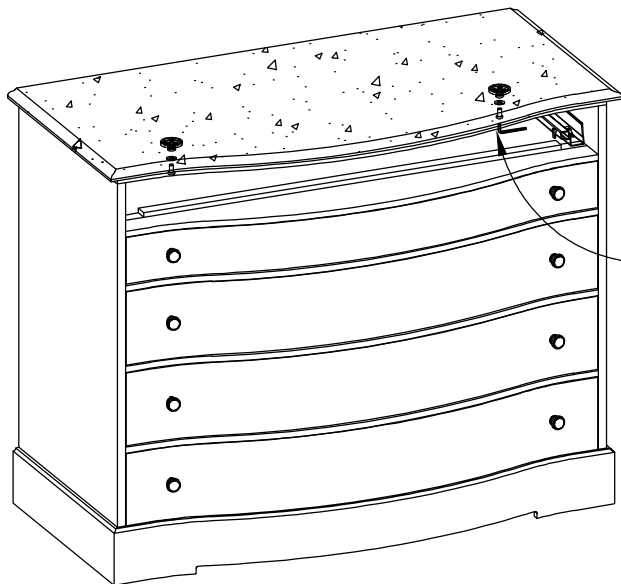
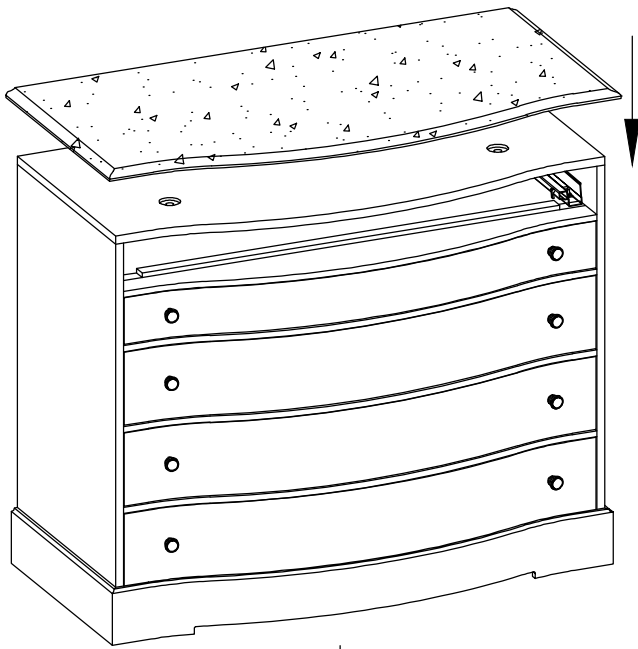
HARDWARE LIST				
A		Bolts	M8x16	2
B		Flatwasher	8-22	2
C		Allen Wrench	5	1



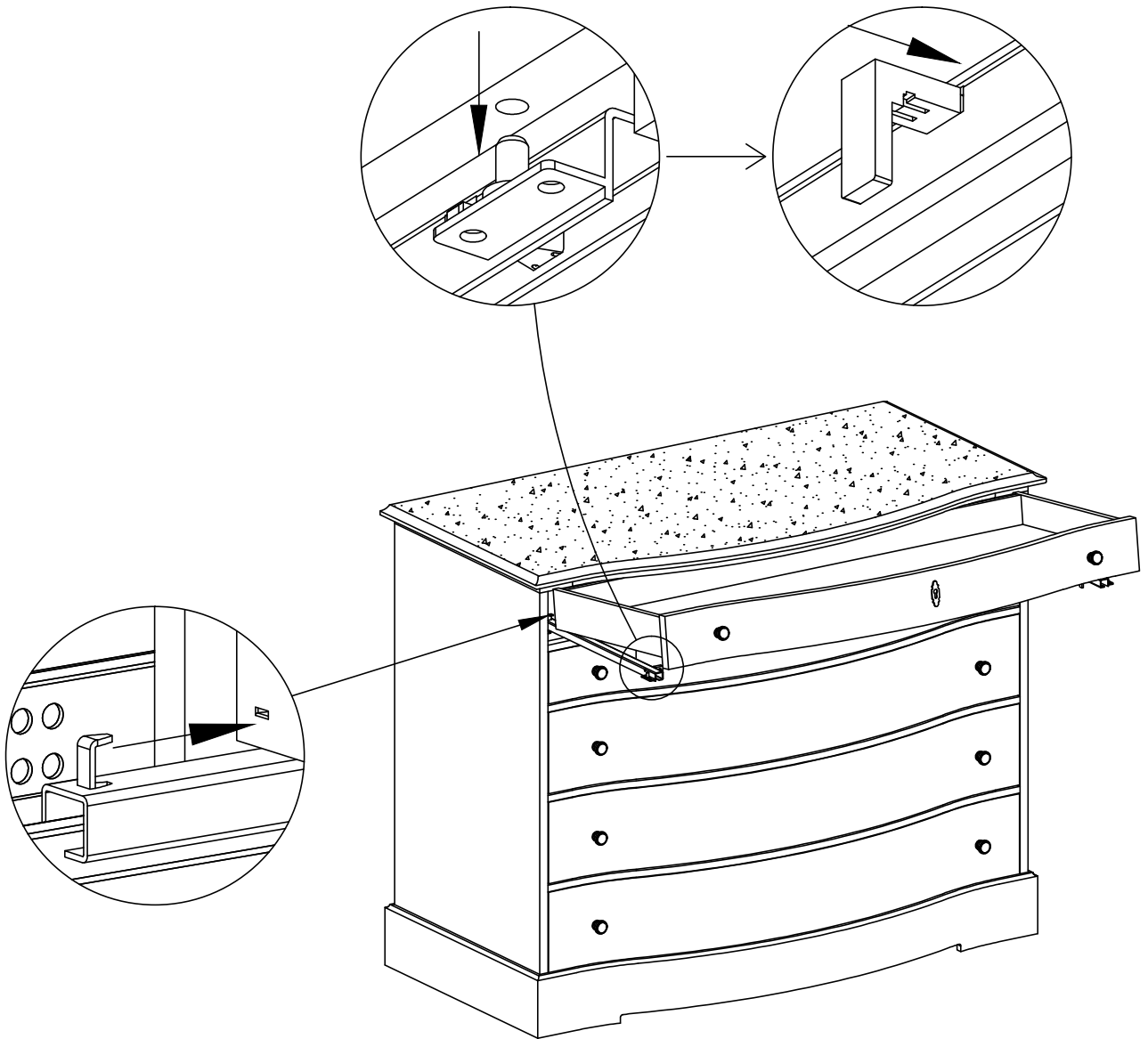
Step 1



Step2



Step 3



Adjusting Floor Levelers

Check for Stability - Place the furniture in its final position on a level surface. If it wobbles or doesn't sit evenly, the floor levelers need adjusting.

Locate the Levelers - These are small adjustable feet found at the bottom corners of your furniture.

Adjust as Needed - Using your hand or a wrench, turn the levelers clockwise to raise or counterclockwise to lower the furniture. Make small adjustments and check stability after each turn.



If you need further adjustments, repeat the process in small increments.