



BIOCLIMATIC PERGOLA 88H

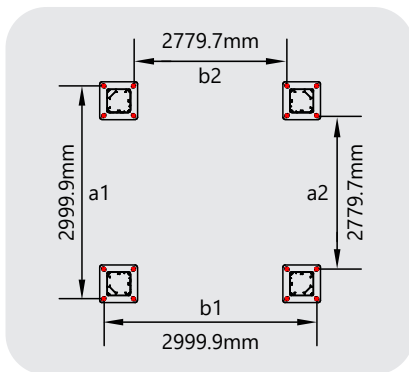
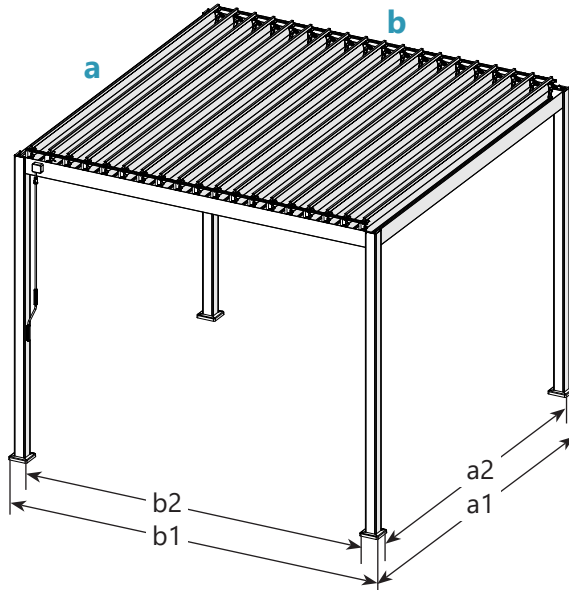
ASSEMBLY MANUAL



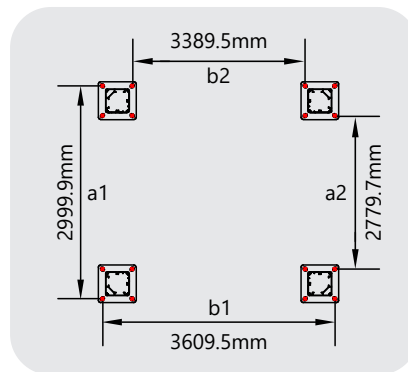
4 PILLARS



CONSTRUCTION DRAWING





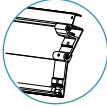



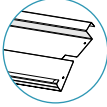



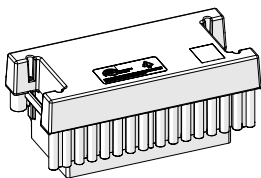
3 x 3 m
10 x 10 ft.



3 x 3.6 m
10 x 12 ft.

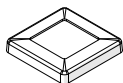
LIST OF PARTS

A	x4		
B1	x1		
B2	x1		
C	x2		
D	x1		
G	x2		
H	x1		
		b	REF
	3m/10ft.	3.6m/12ft.	
D1	x18	x22	 



*Extra spare parts included

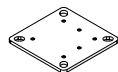
I x4



S x6+2*



J x4



T x2



K x1



V x1



L x1



W x16



M8 x 80 mm

N x3



X x1



S4

N2 x1



Y1 x2



S5

O x24+2*



Y2 x2



S6

P x2



Z x1



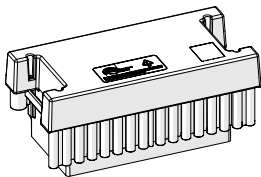
R x12+2*



ST5.5 x 19 mm

Z10 x0+10*



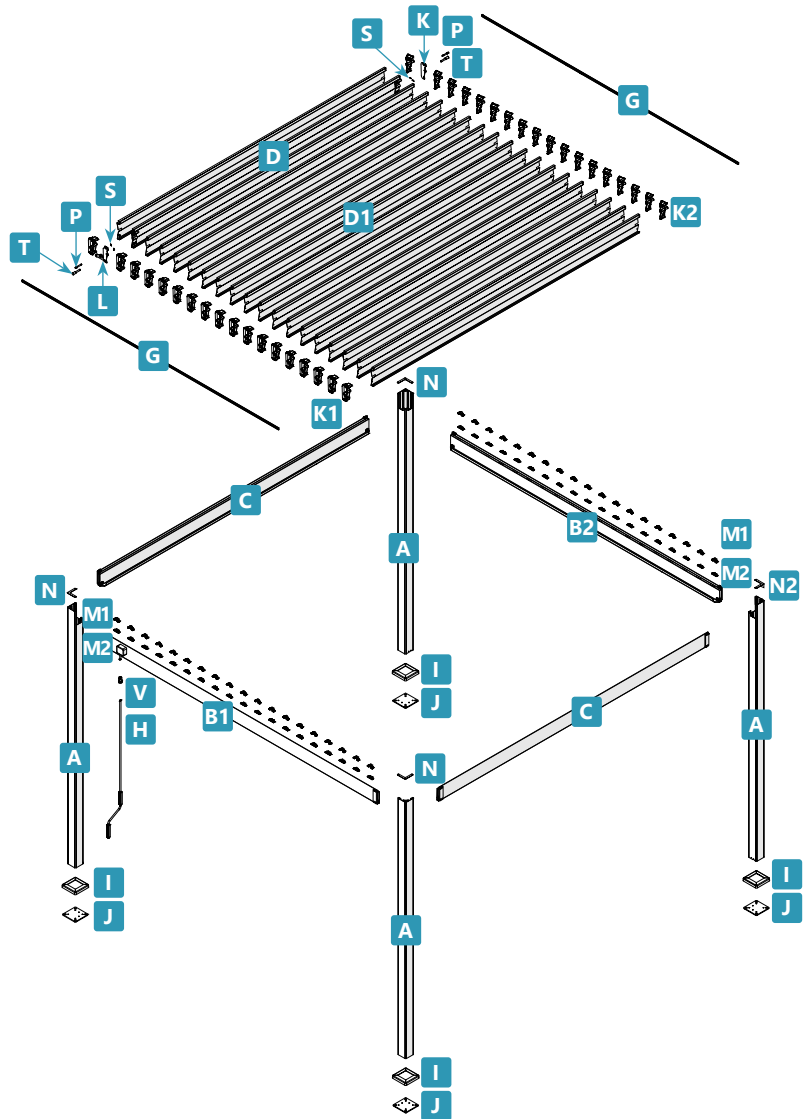


	3m/10ft.	3.6m/12ft.	REF
K1	x18+2*	x22+2*	
K2	x18+2*	x22+2*	
M1	x38+2*	x46+14*	
M2	x38+2*	x46+14*	
O1	x76+4*	x92+5*	<p>ST5.5 x 23 mm</p>
Q	x40+6*	x48+7*	<p>ST4.2 x 25 mm</p>
R3	x72+4*	x88+4*	<p>ST4.8 x 16 mm</p>

ASSEMBLY

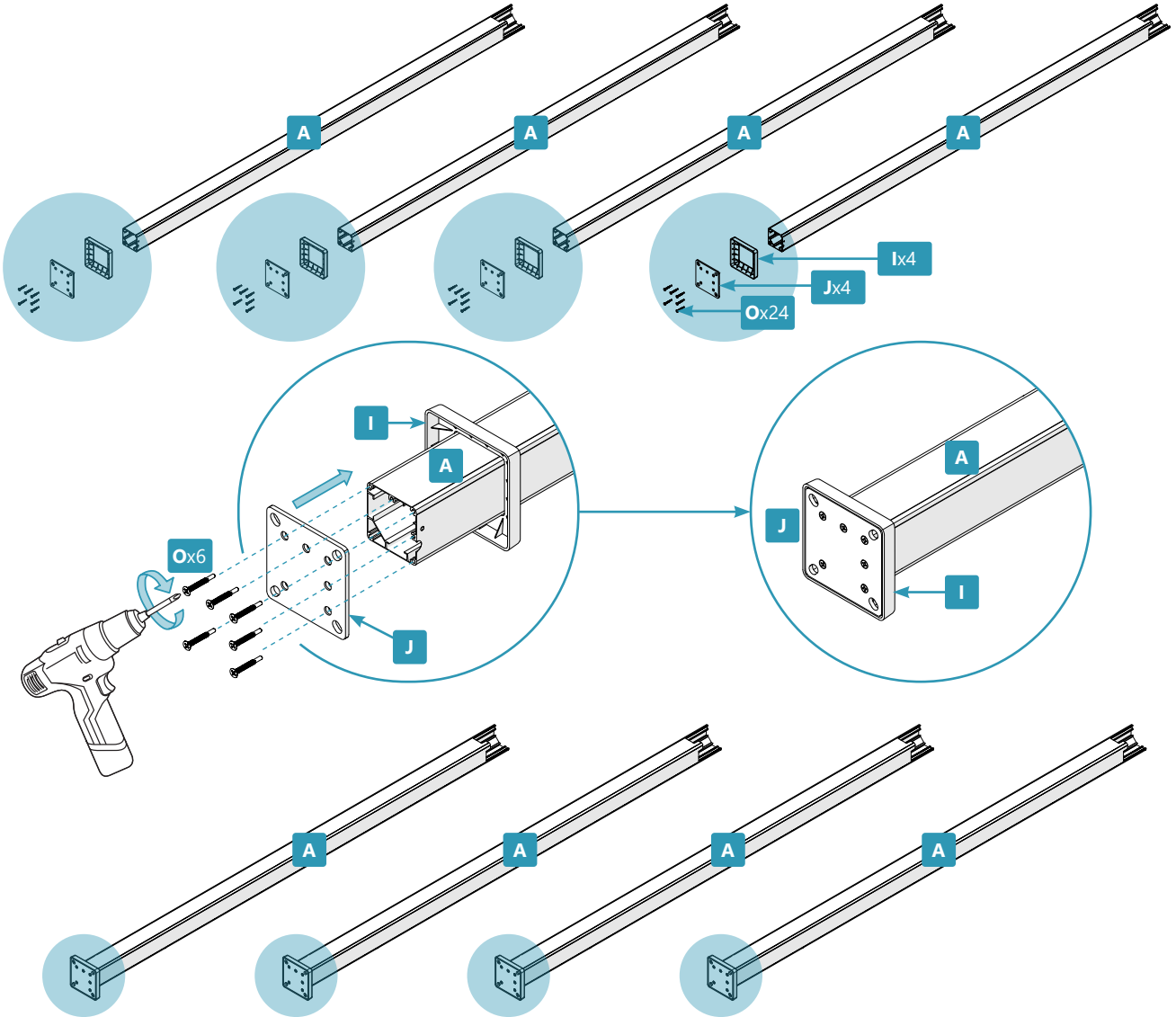


Assembly Video



01

A x4  **I** x4  **J** x4  **O** x24 



02

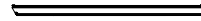
B1 x1



B2 x1



C x2



Y1

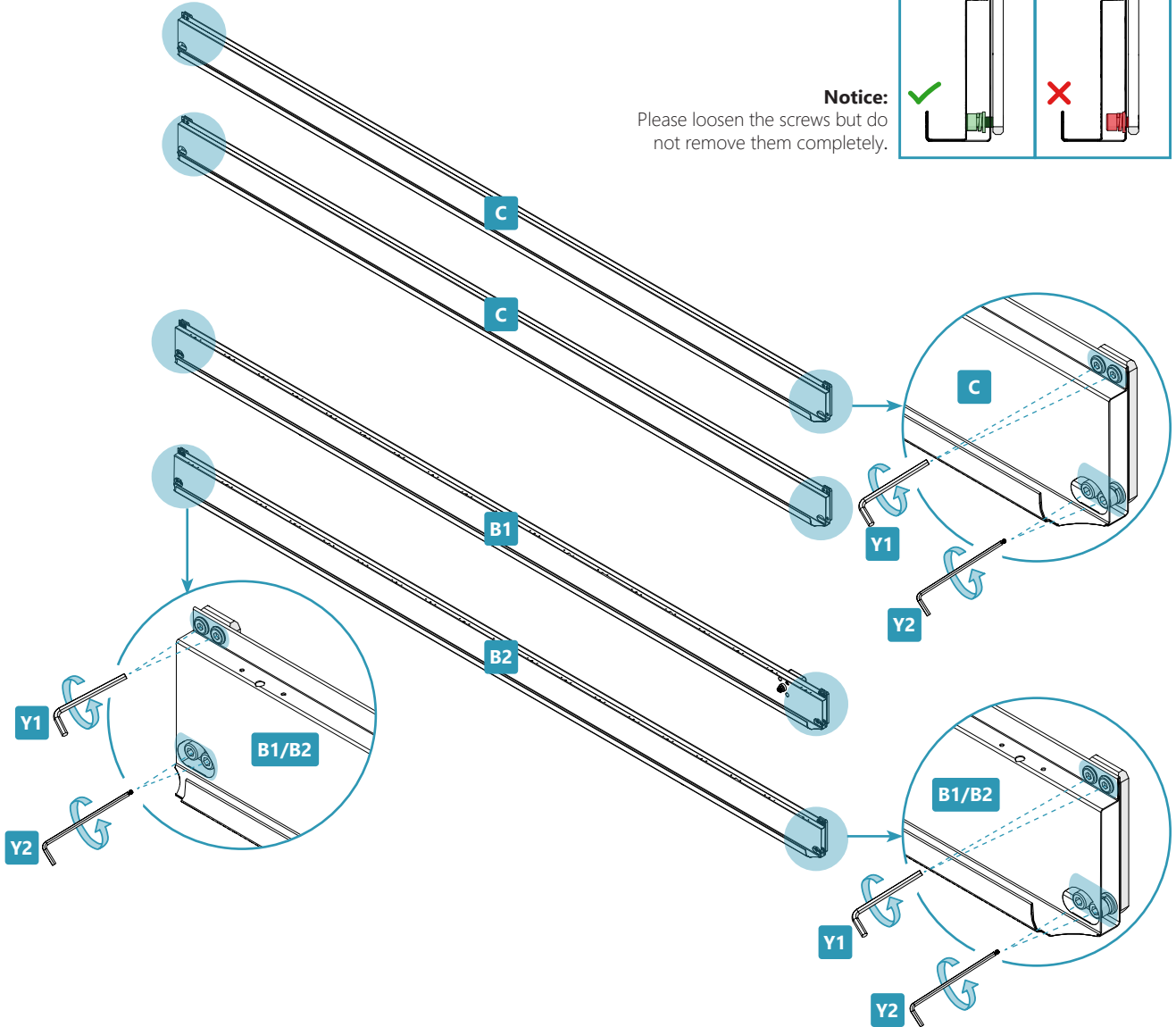
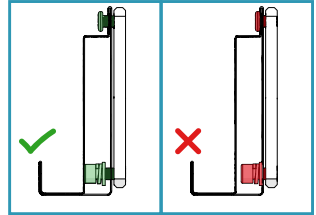


Y2





Notice:

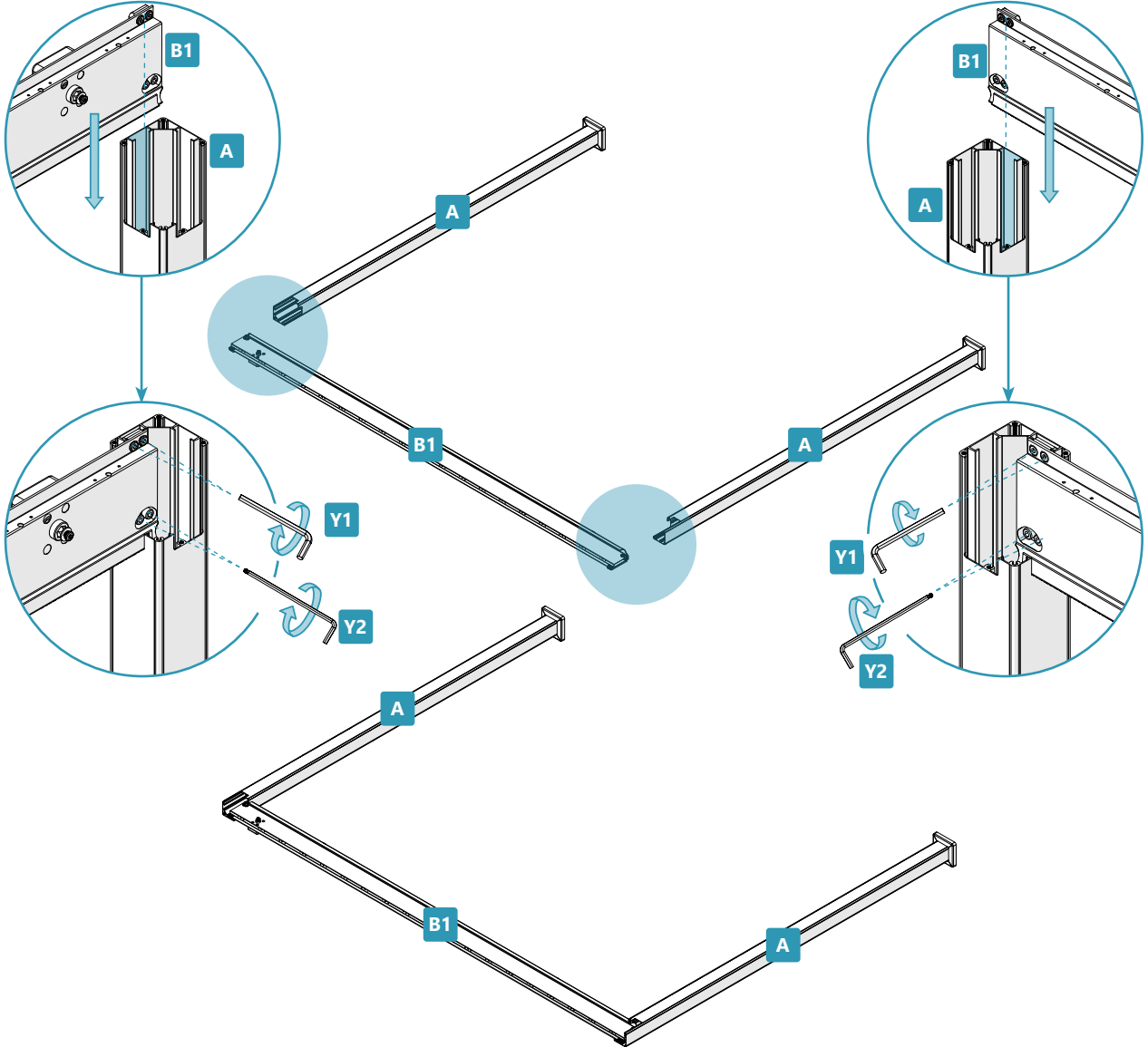
Please loosen the screws but do not remove them completely.



03



A x2  B1 x1 

Y1 
Y2 

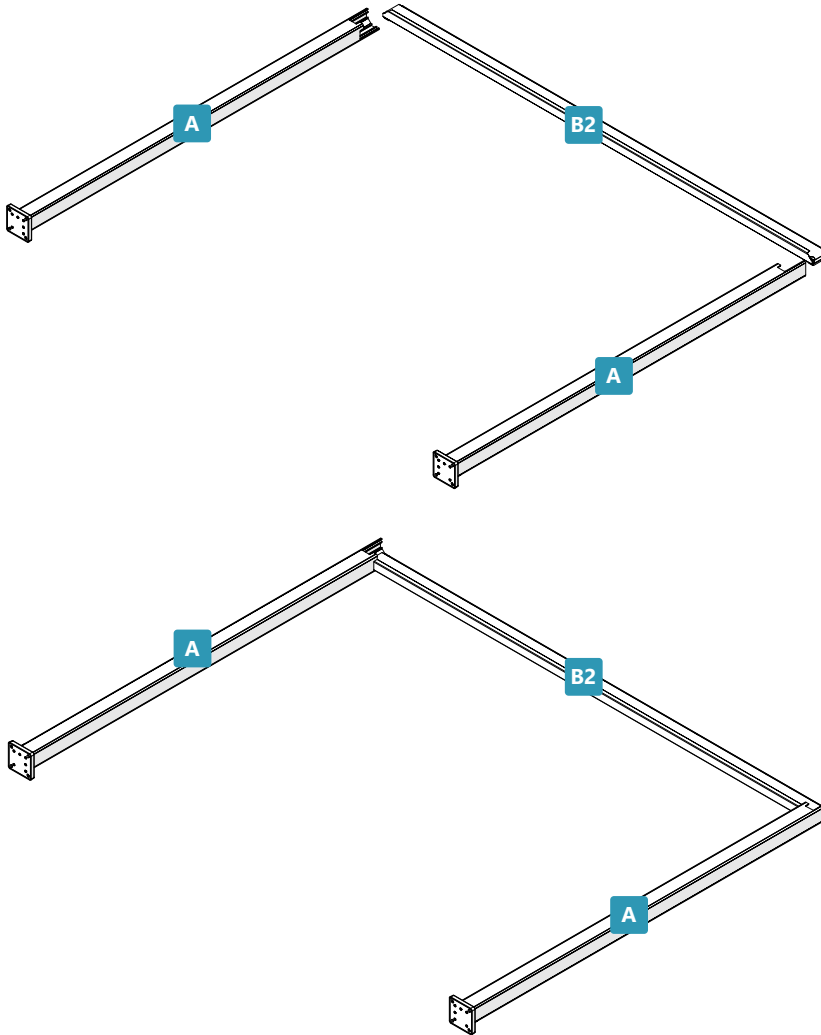


04

A x2  B2 x1 

Y1 
Y2 

03

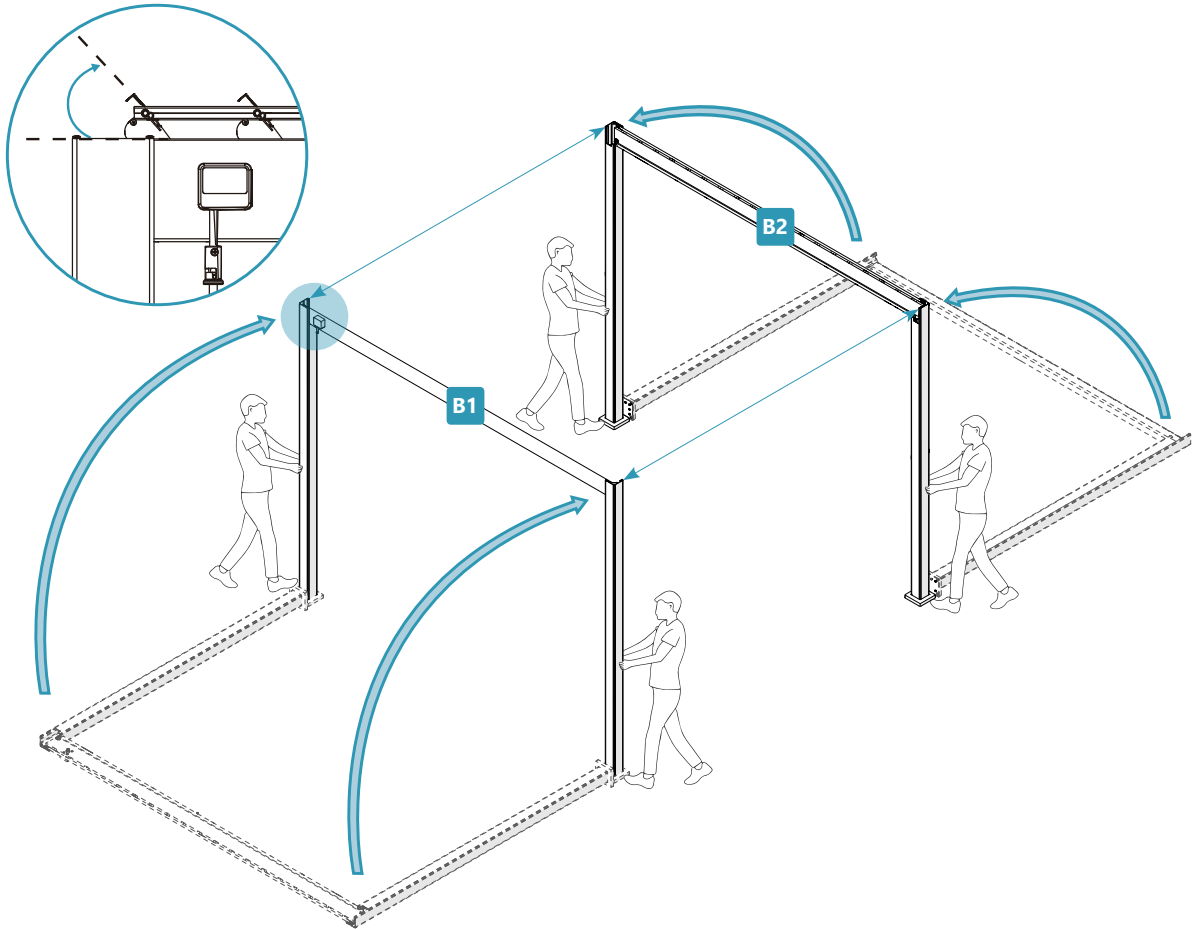


05



Notice:

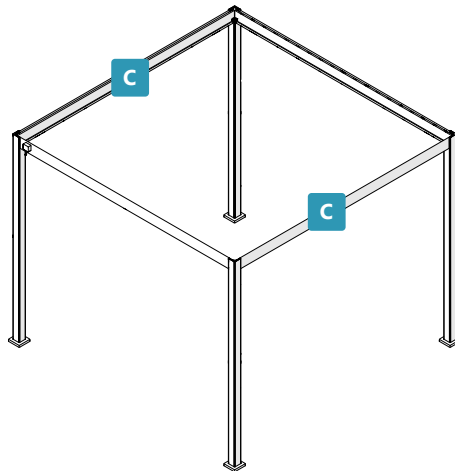
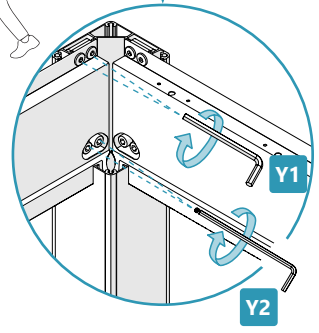
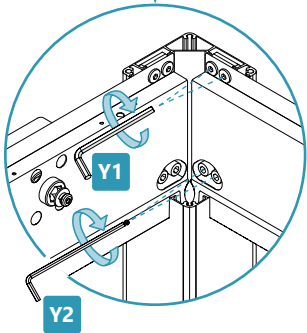
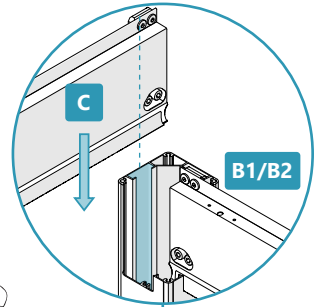
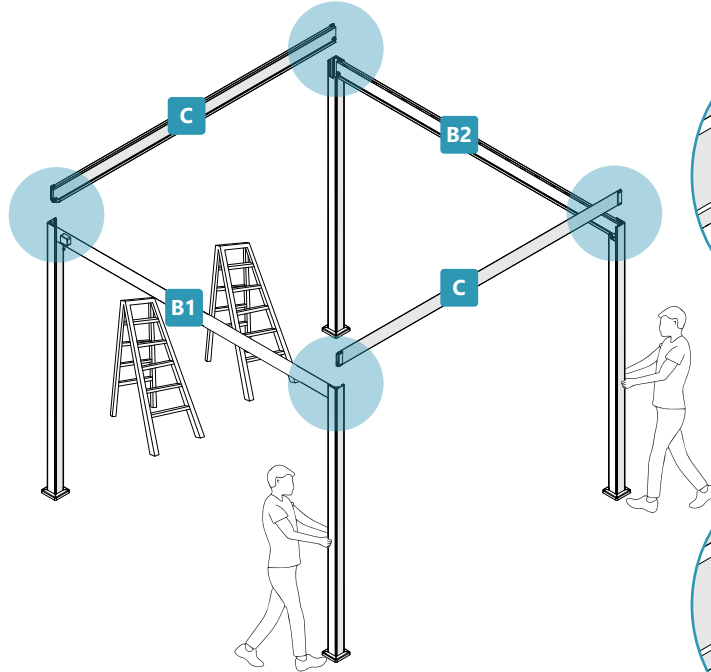
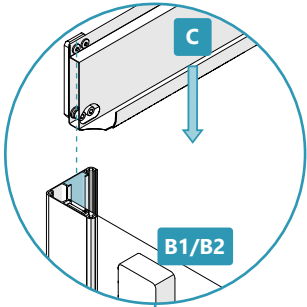
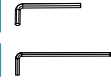
When determining the installation direction of the product, please consider the opening direction of the louvers as well as the desired sunshade effect.



06

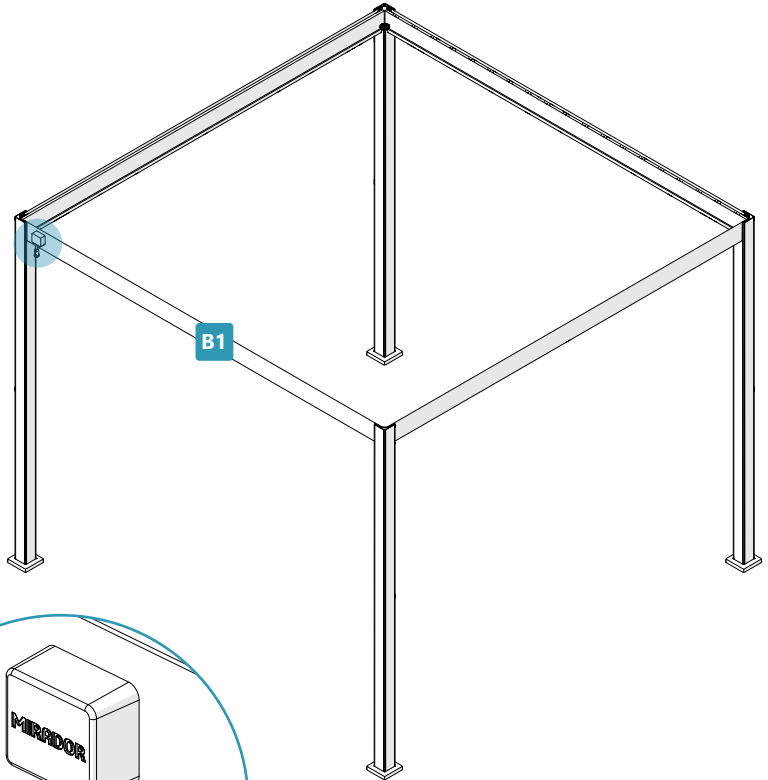
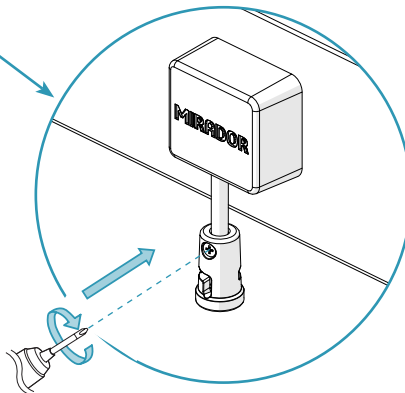
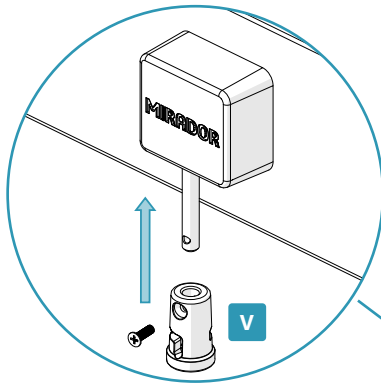
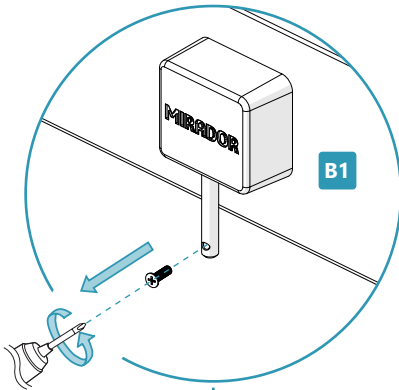
C x2

Y1
Y2



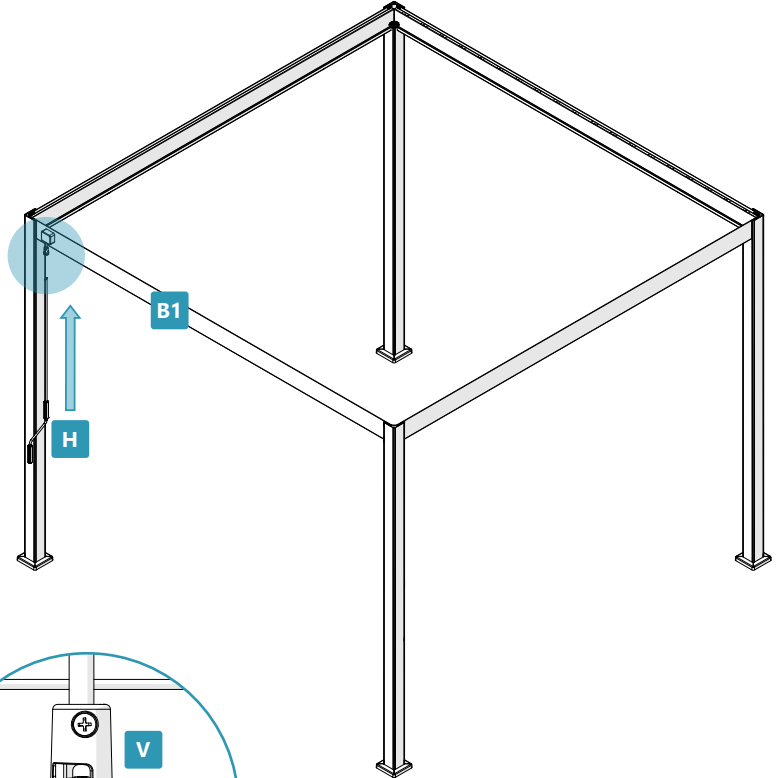
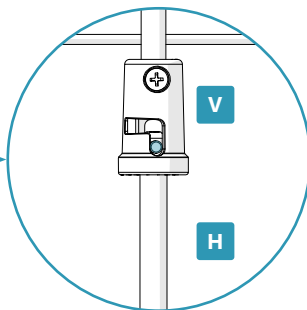
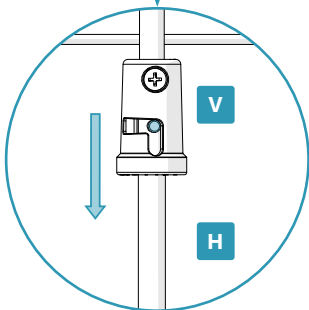
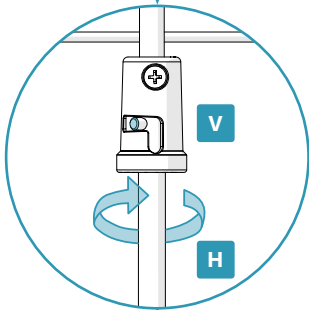
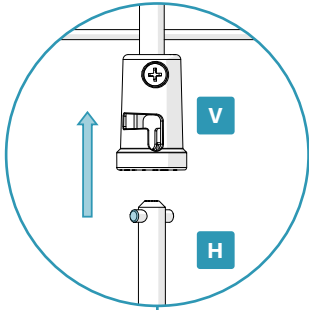
07

V x1



08

H x1



09

D x1



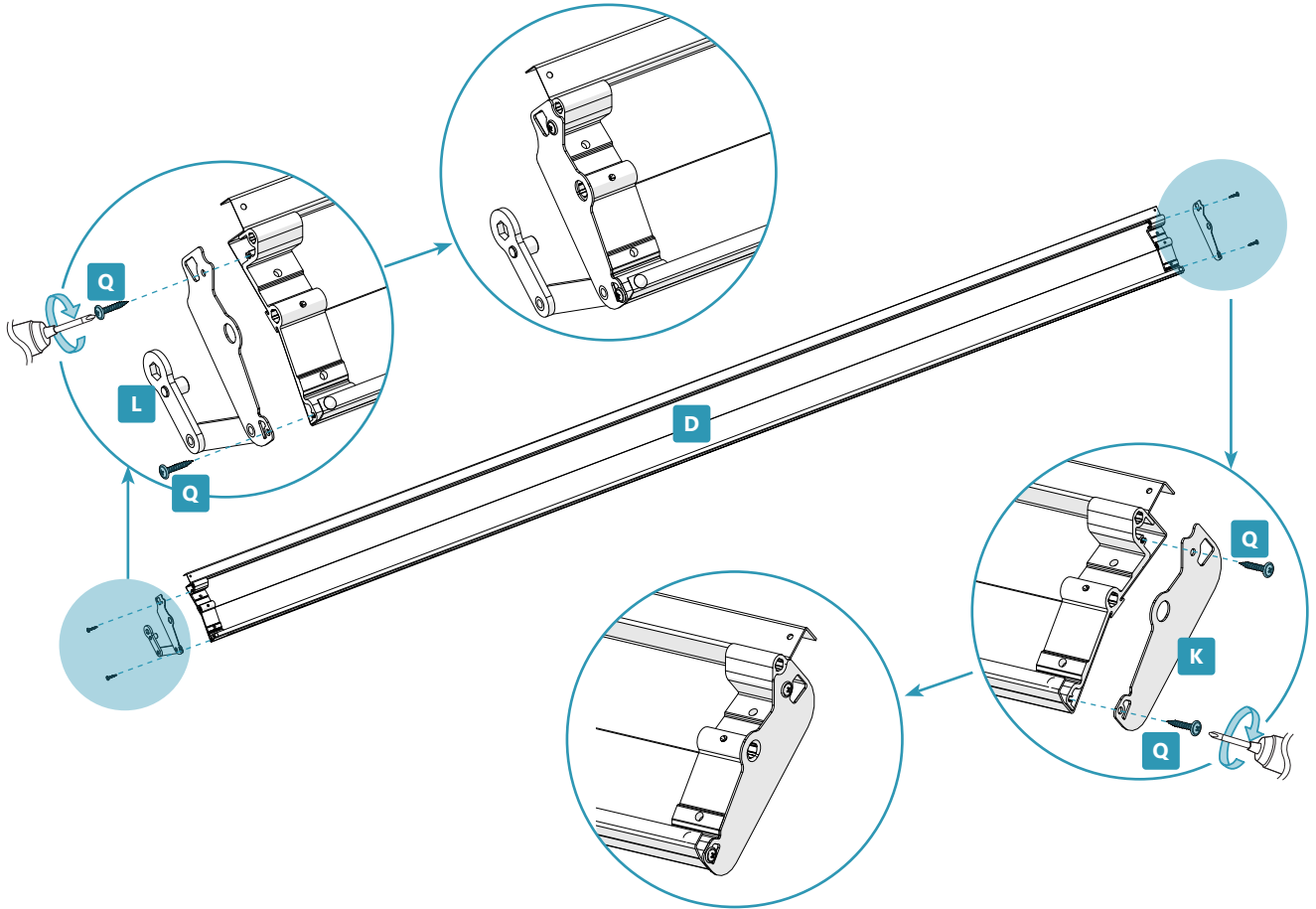
Q x4



K x1

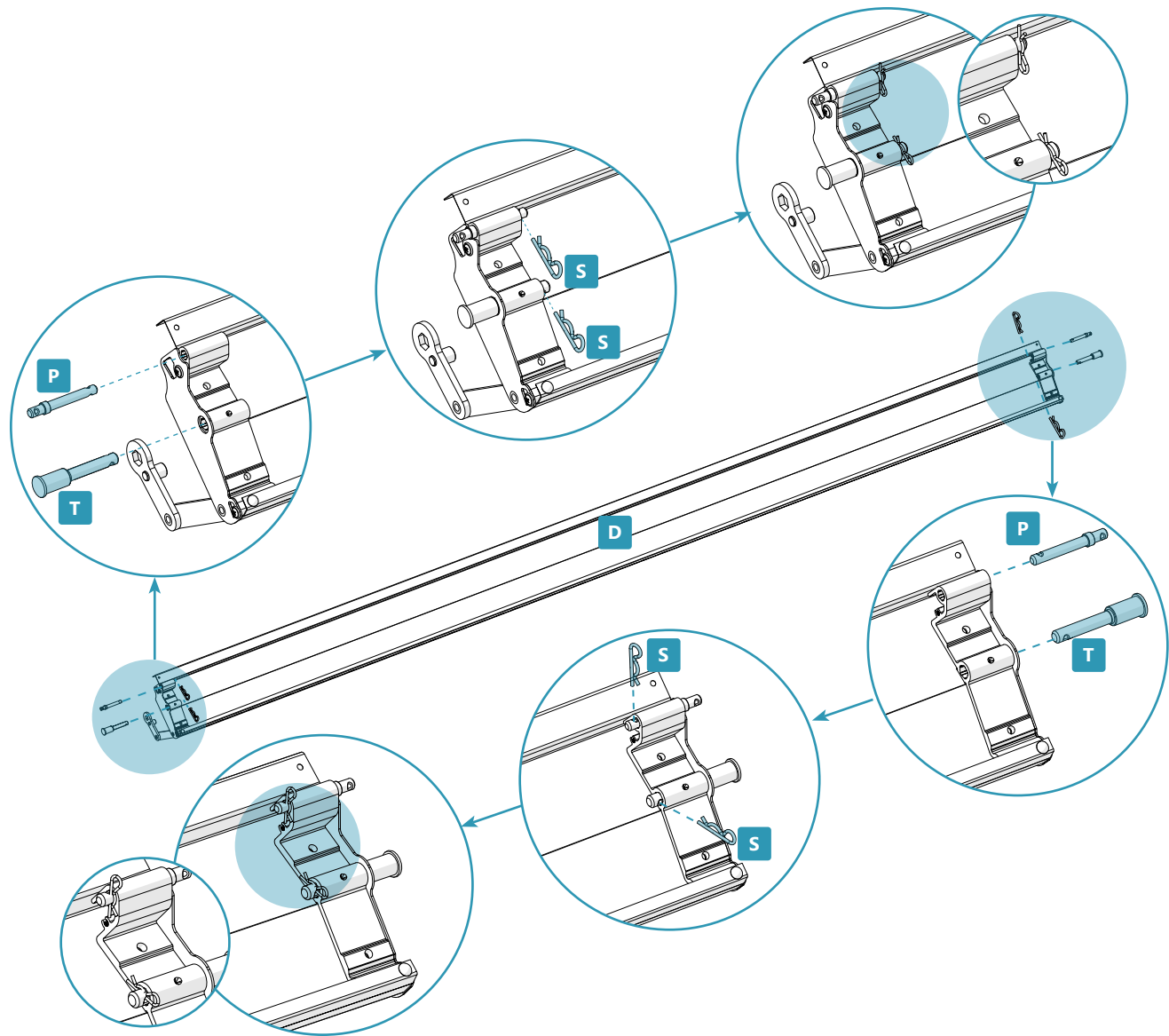


L x1



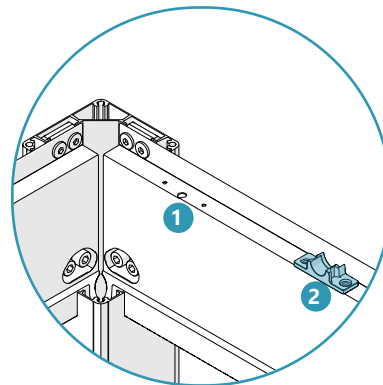
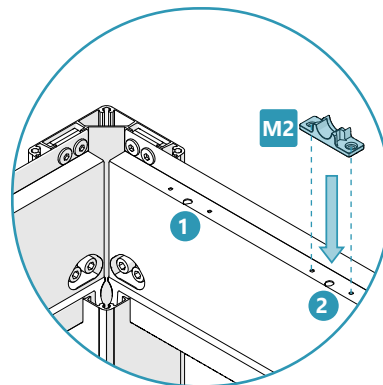
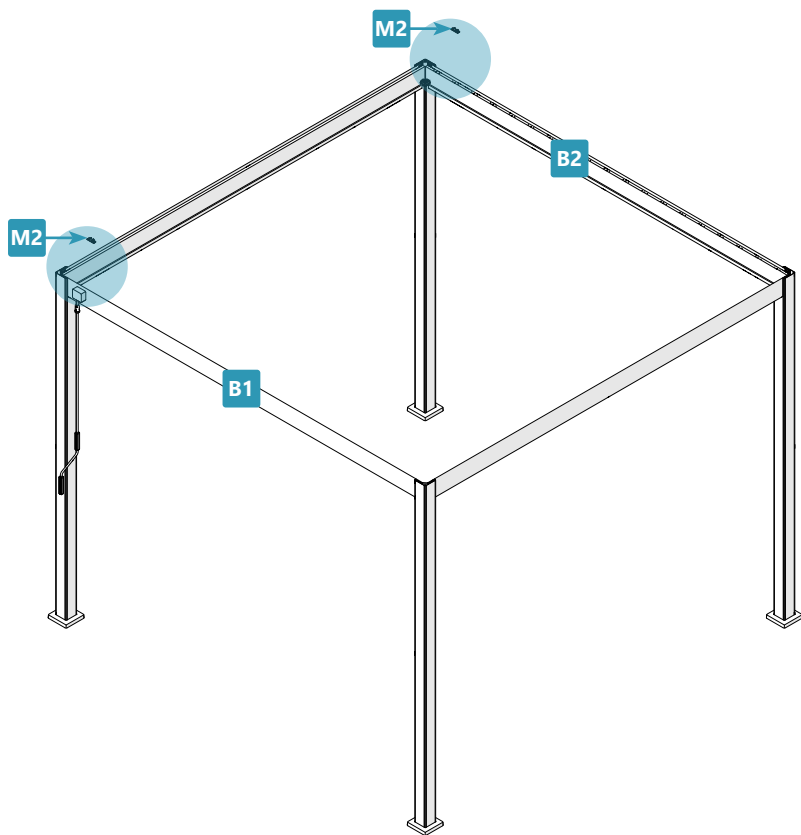
10

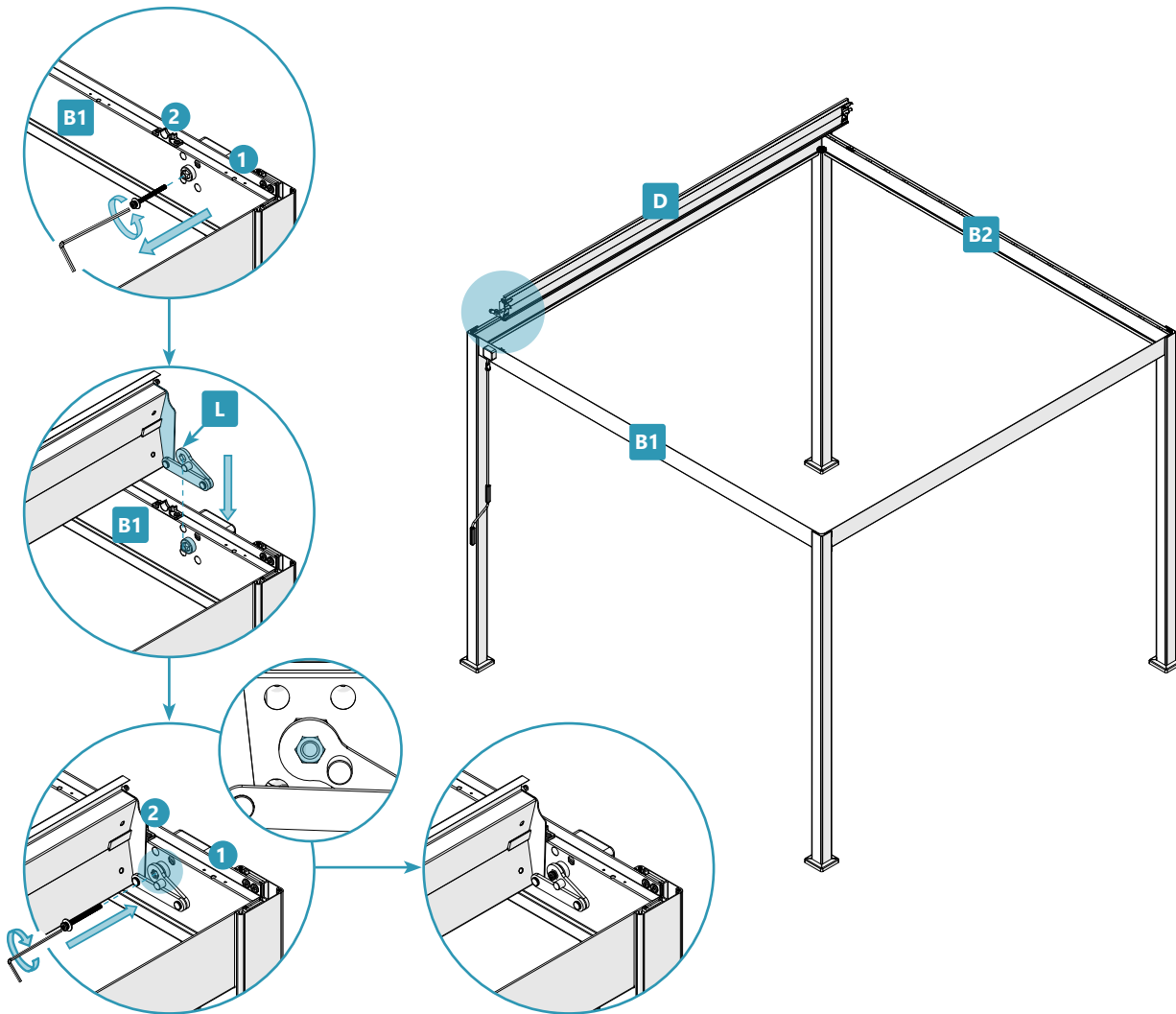
P x2  **T** x2  **S** x4 



11

M2 x 2 



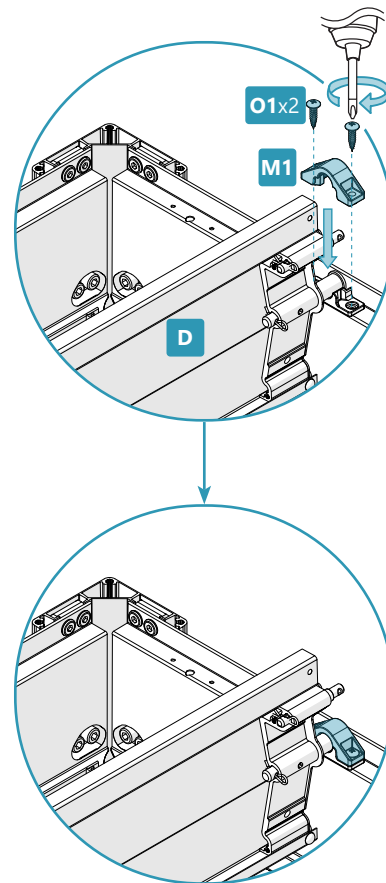
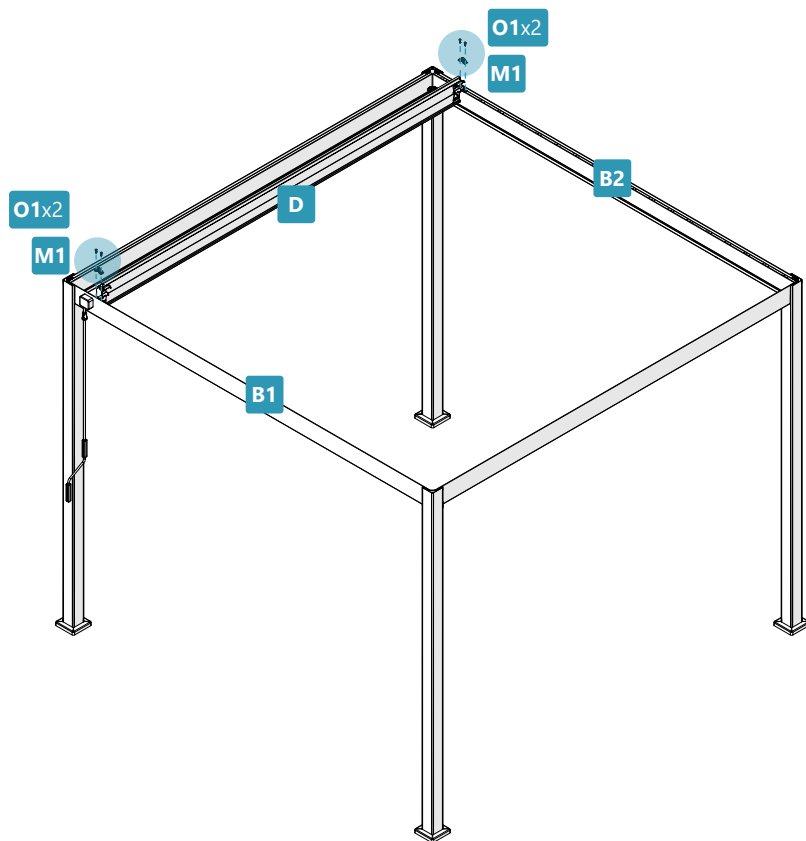


13

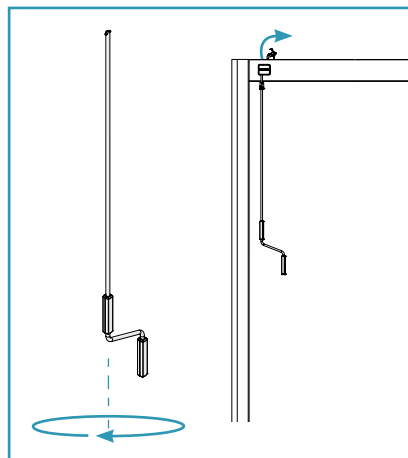
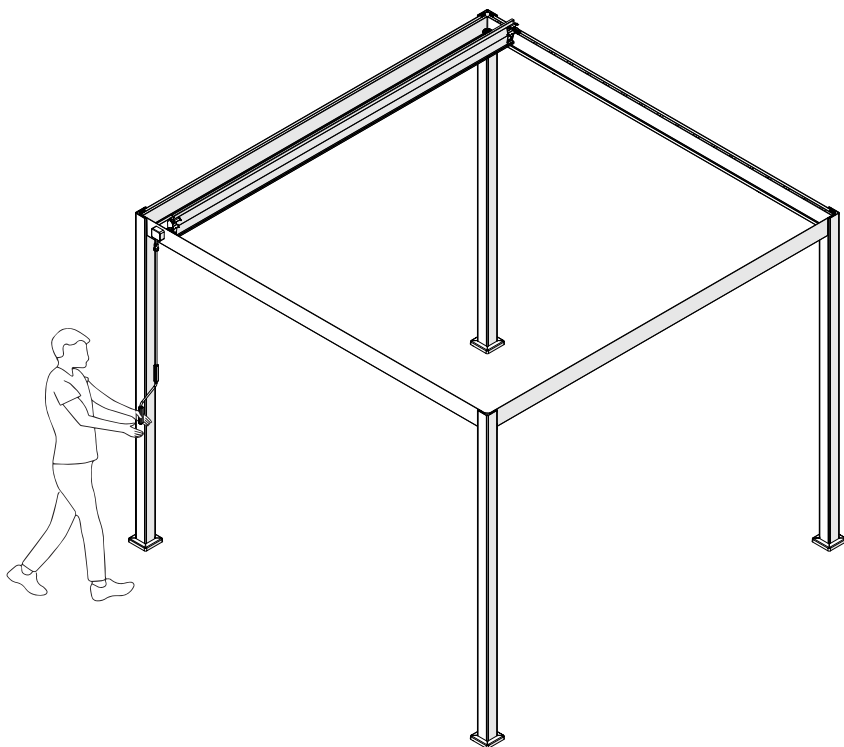
M1 x2



O1 x4



14

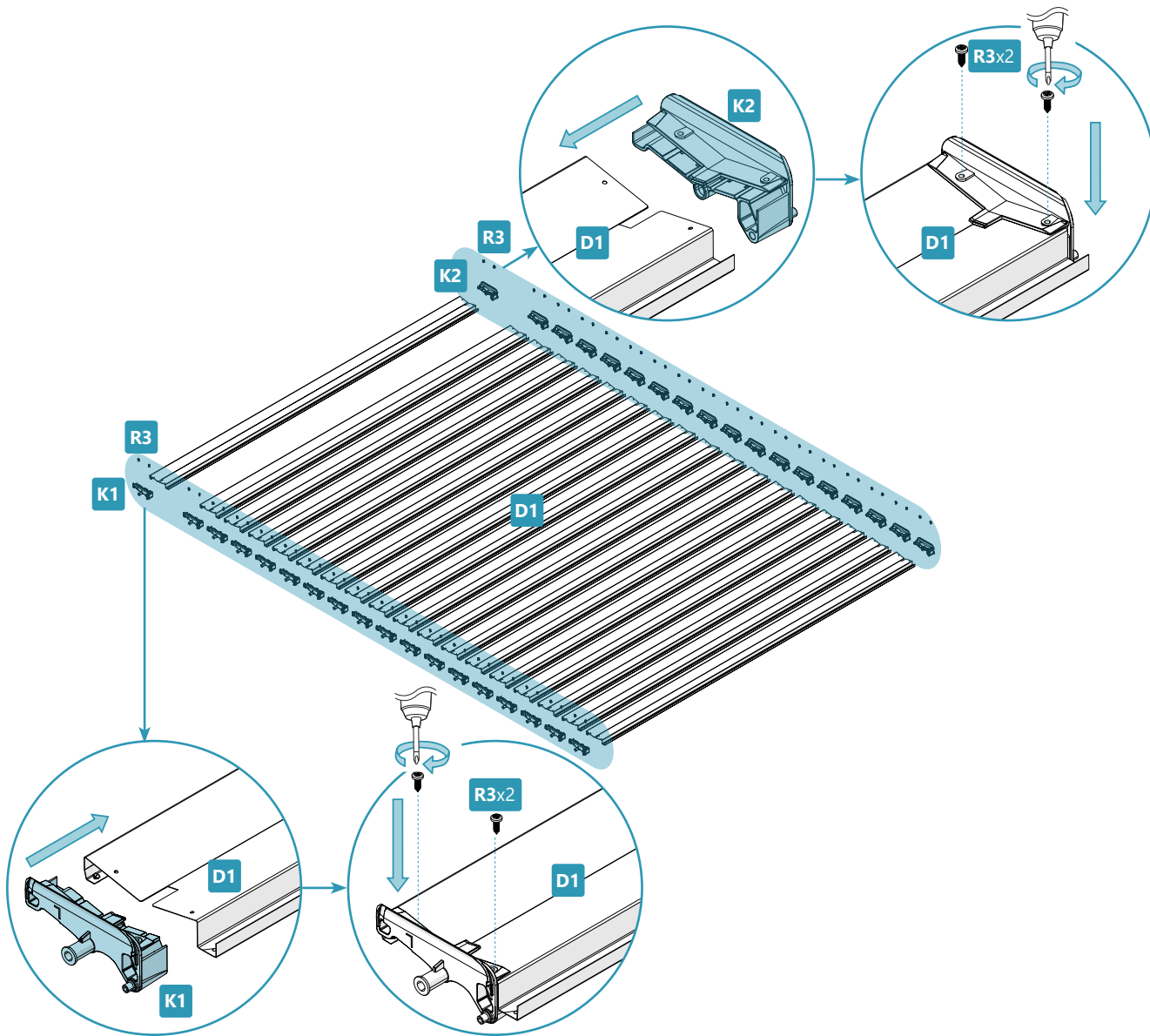


Notice:

Please check whether the driving louver is operating normally and keep it upright.

15

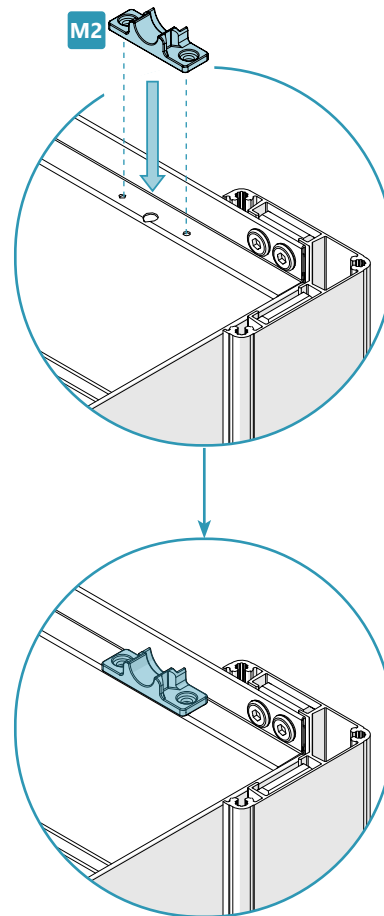
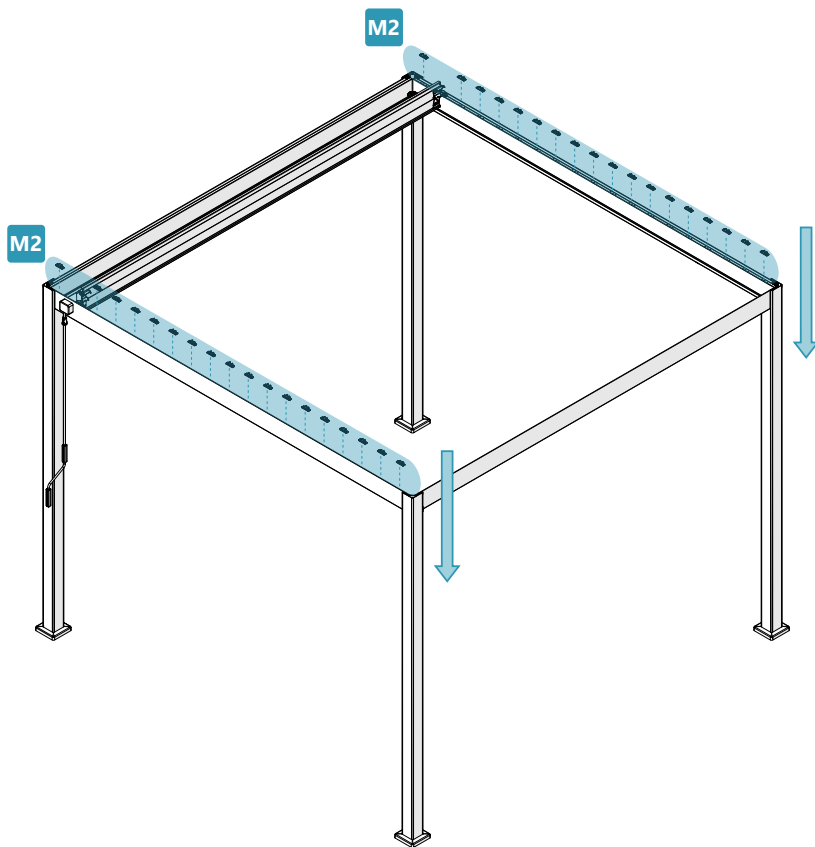
	REF	3m/10ft.	3.6m/12ft.	
R3		72	88	
K1	 	18	22	



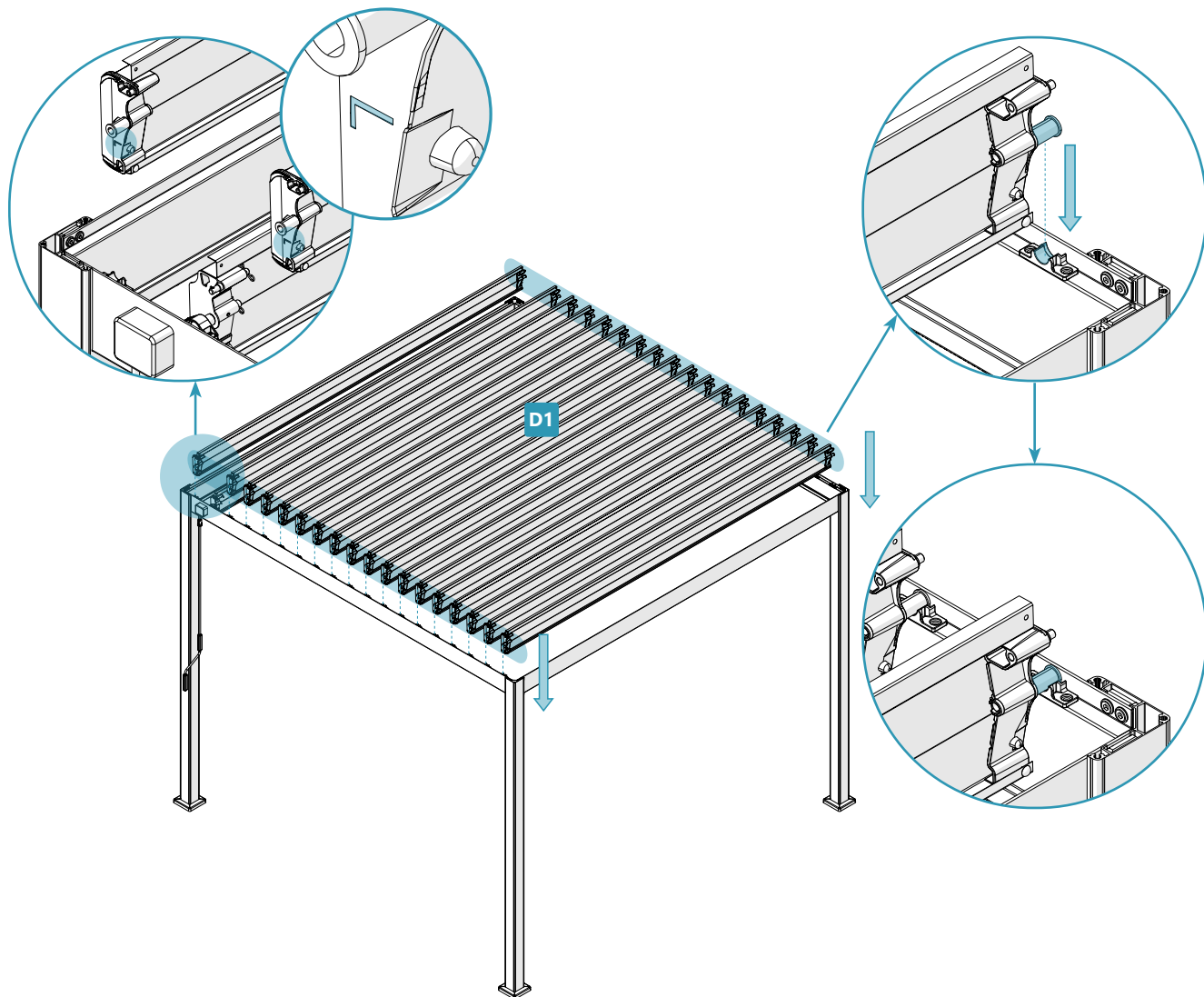
16

M2 





3m/10ft. x36 3.6m/12ft. x44

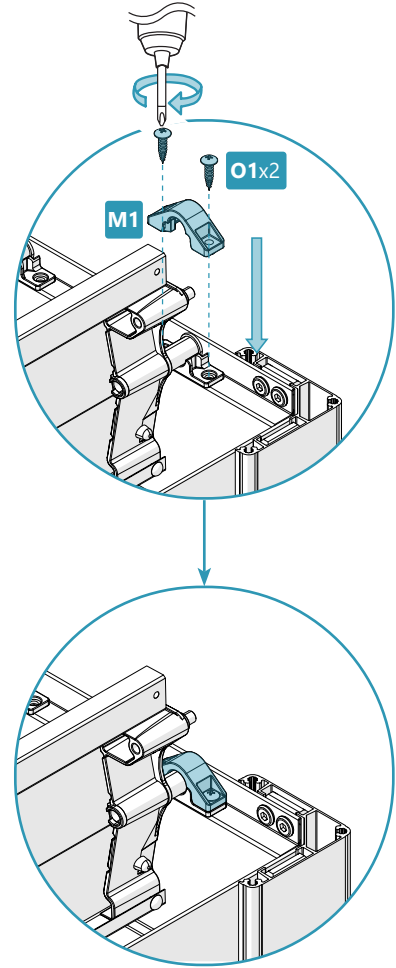
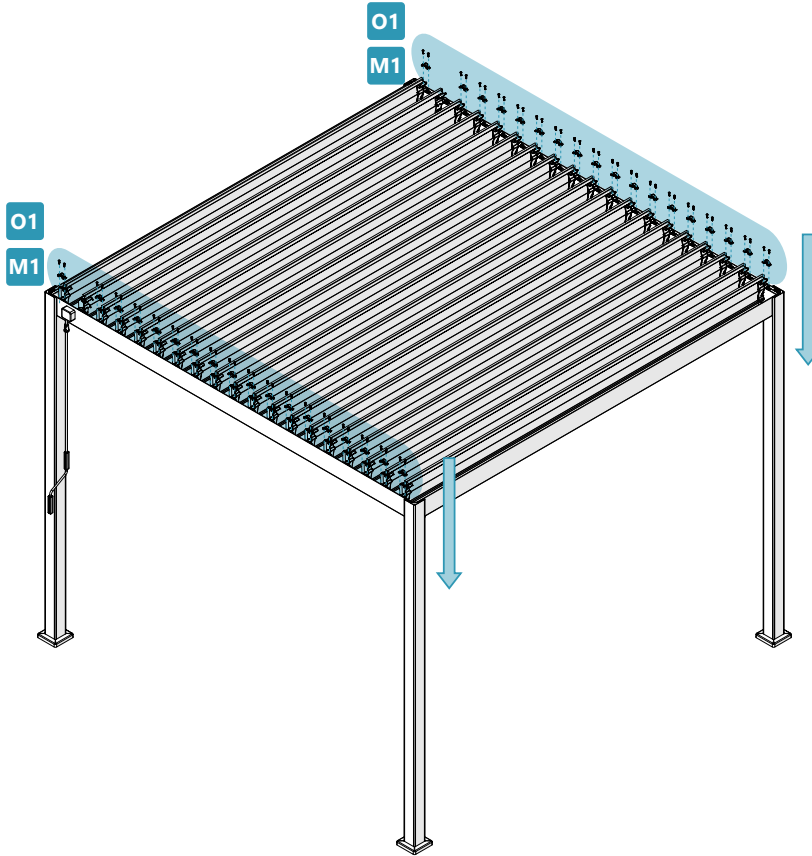


17



18

	REF	3m/10ft.	3.6m/12ft.	REF	3m/10ft.	3.6m/12ft.		
	M1		36	44	O1		72	88
							 / 	

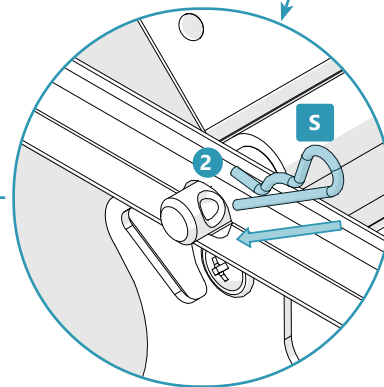
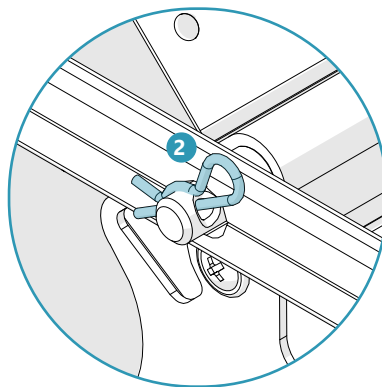
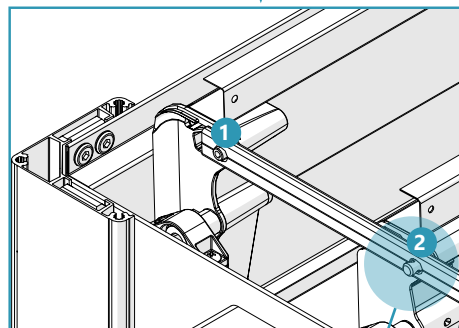
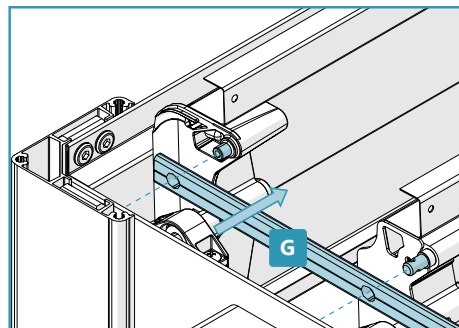
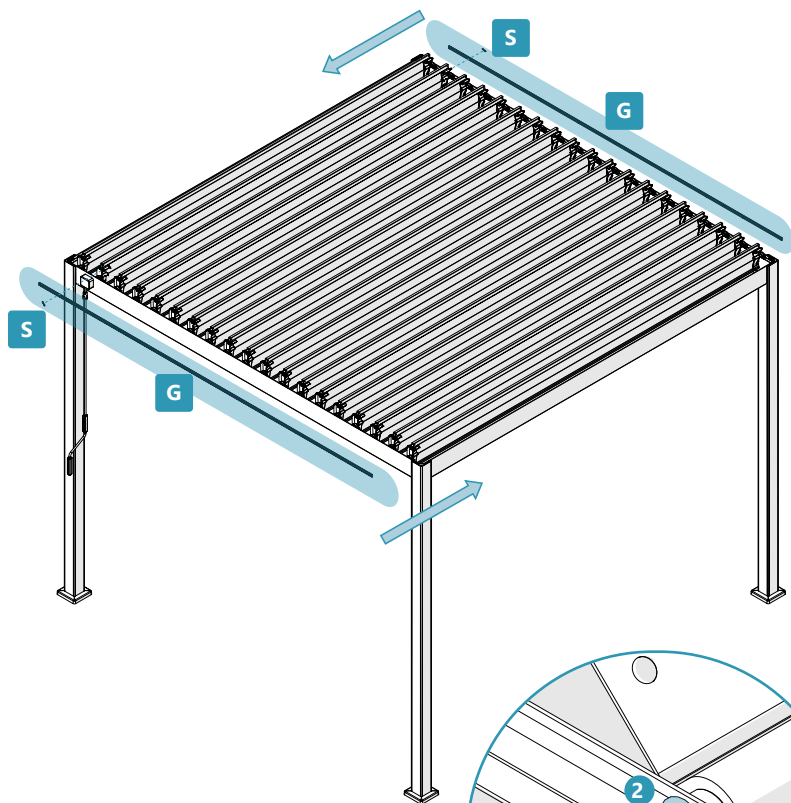


19

S x2



G x2

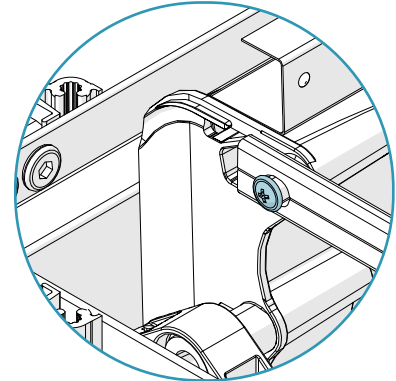
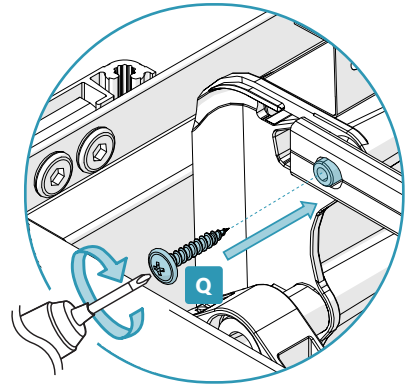
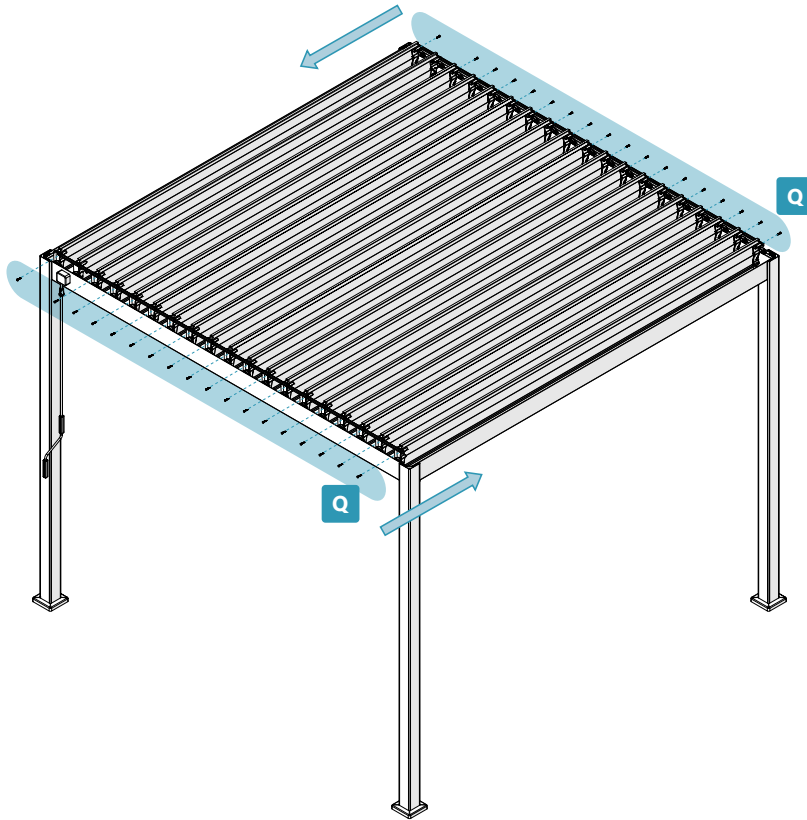


20



3m/10ft. x36

3.6m/12ft. x44



21

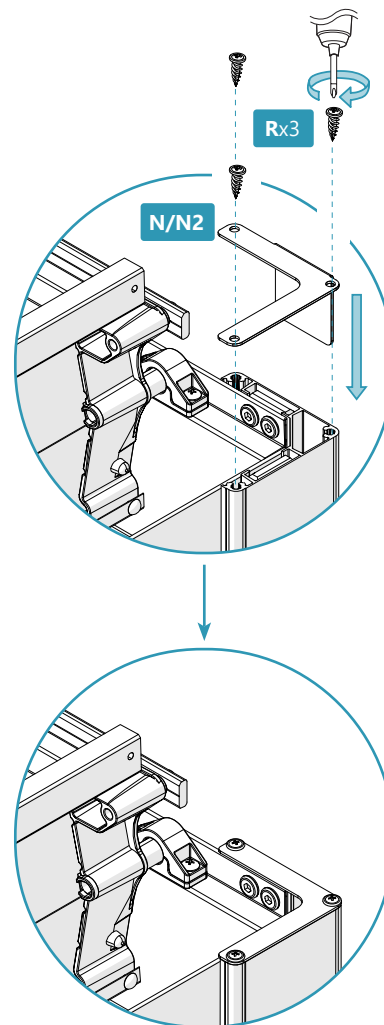
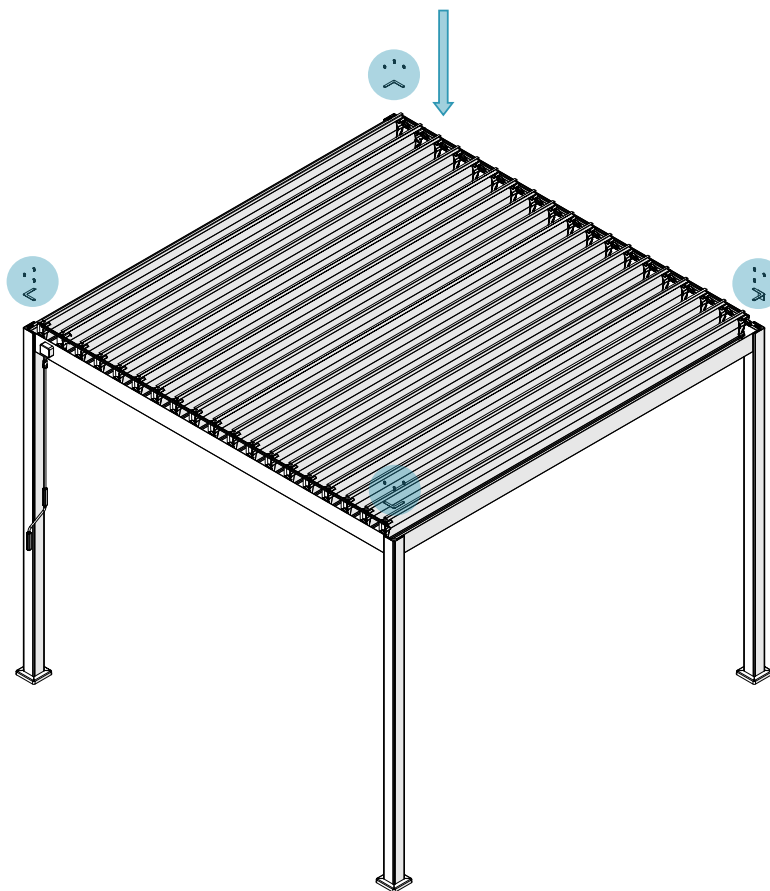
N x3



N2 x1



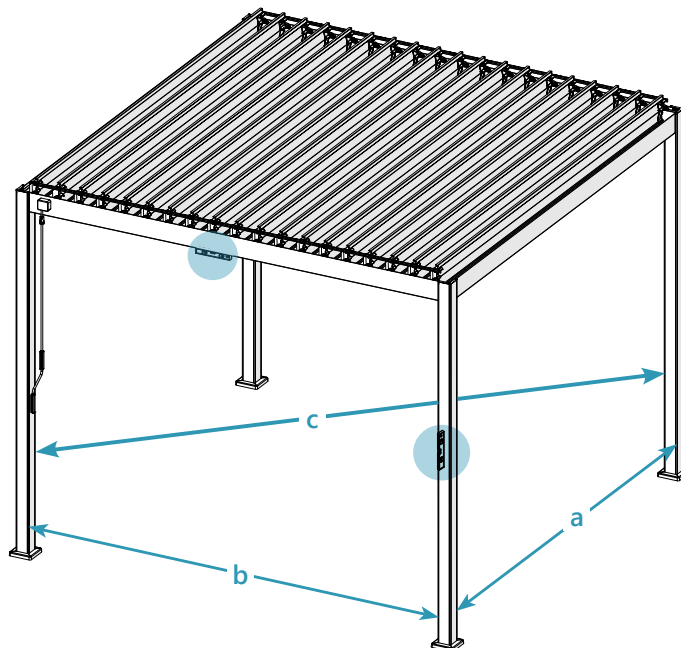
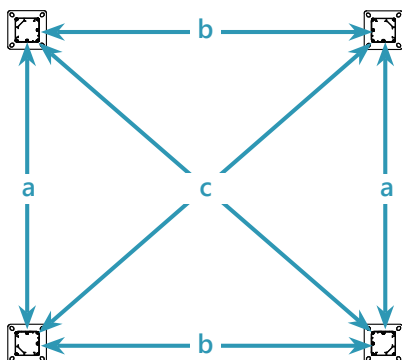
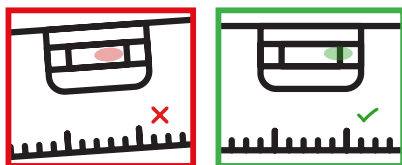
R x12



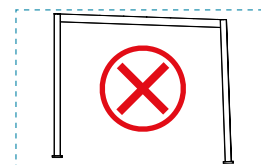
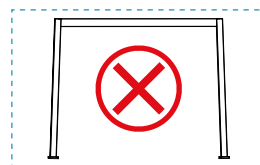
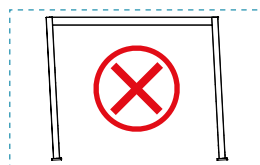
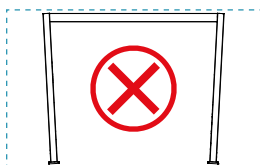


Warning:

If you do not adjust the main structure at this point, you may encounter problems when fitting accessories to the frame.

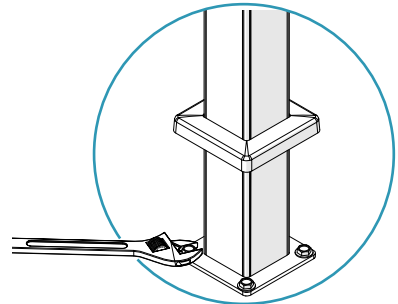
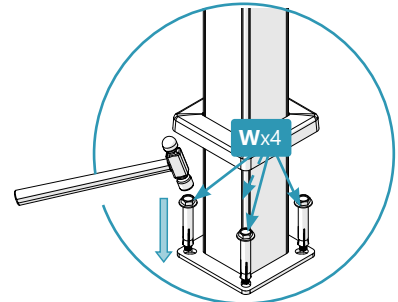
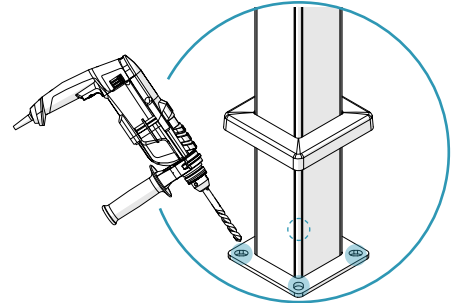
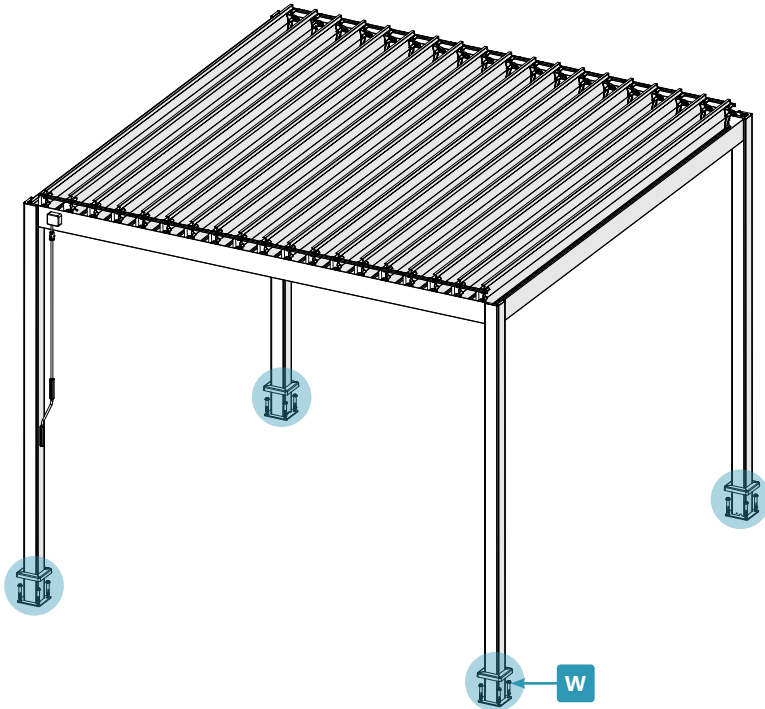


Size (m/ft)	a		b		c	
	(mm)	(inch)	(mm)	(inch)	(mm)	(inch)
3x3 / 10x10	2801.9	110.3	2801.9	110.3	3968	156.2
3x3.6 / 10x12	2801.9	110.3	3411.5	134.3	4420.1	174



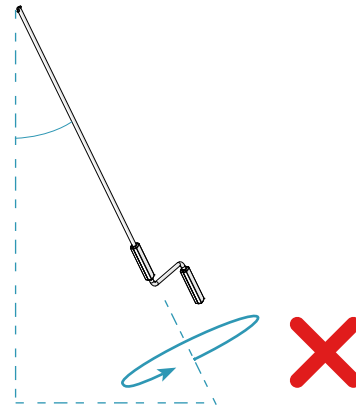
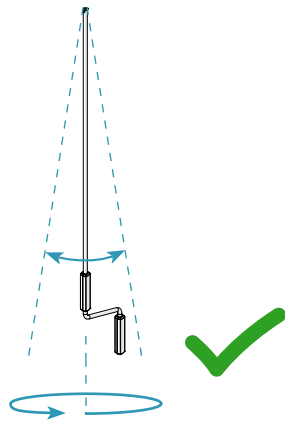
23

Z x1  **W** x16 

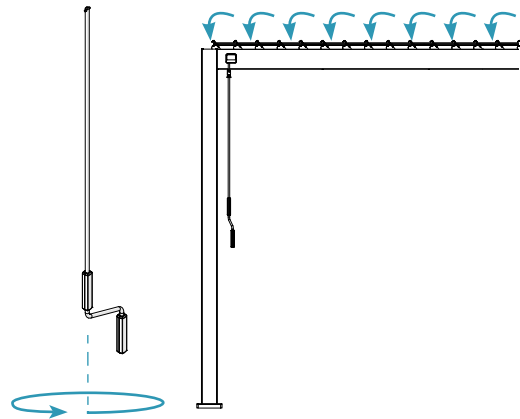
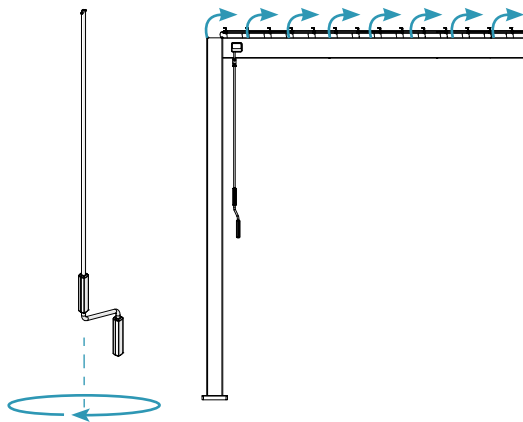


OPERATING YOUR PERGOLA

When opening/closing the louvers, please ensure the crank remains in a vertical position next to the pillar. Do not move the crank too far away from the pillar.




To open the louvers, turn the crank handle clockwise;
To close the louvers, turn the crank handle counter clockwise.



more to
enjoy

FOLLOW US ON
WWW.MIRADOROUTDOOR.COM

 @miradoroutdoor  @MiradorOutdoor
 @miradoroutdoor  @miradoroutdoor

