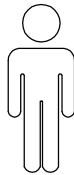
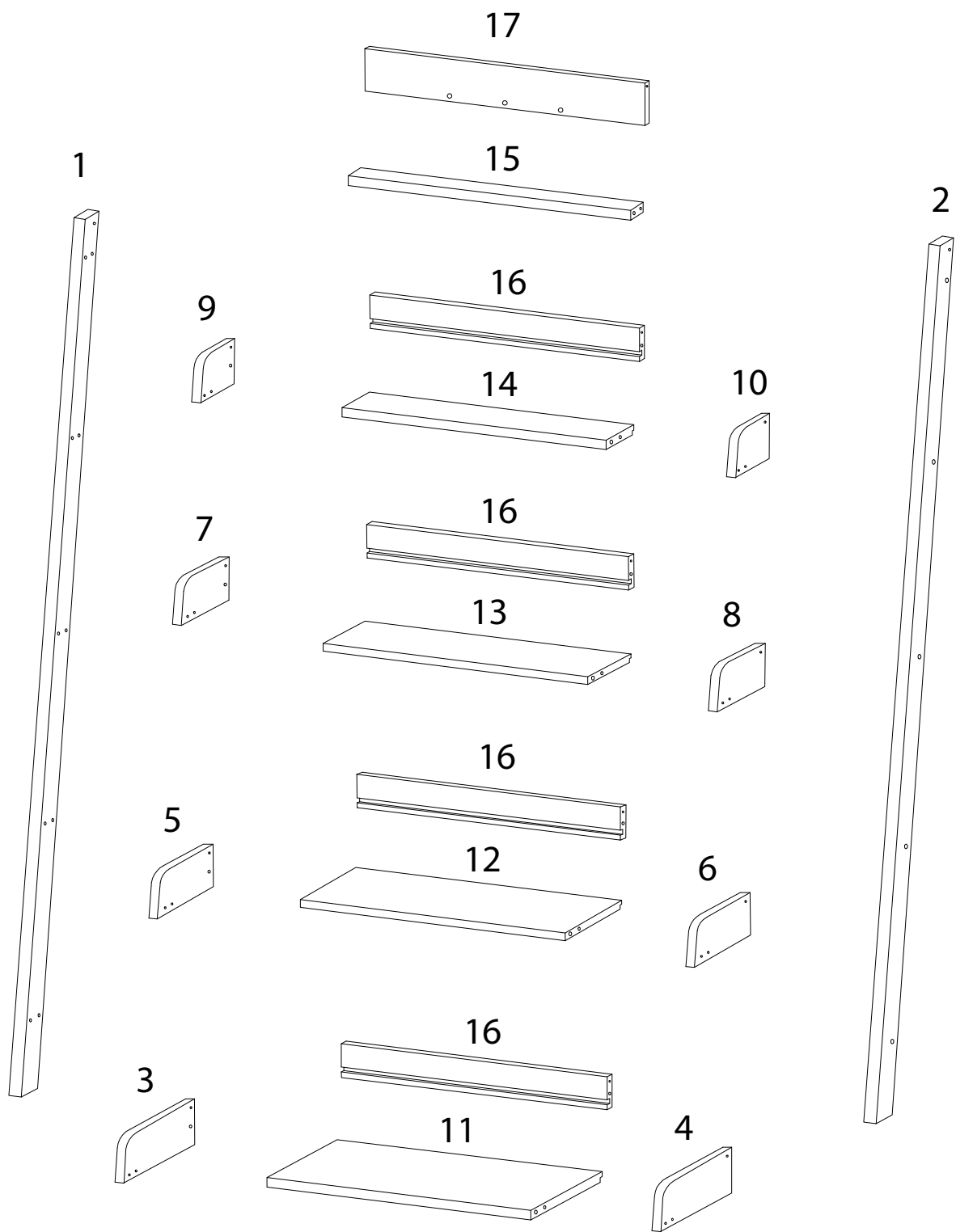


60'



2



1



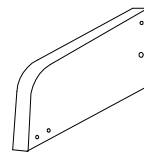
x 1

2



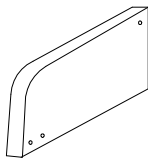
x 1

3



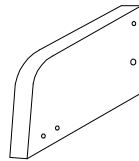
x 1

4



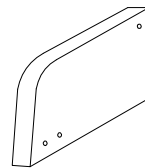
x 1

5



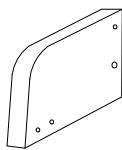
x 1

6



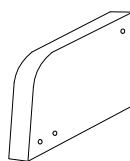
x 1

7



x 1

8



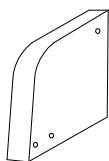
x 1

9



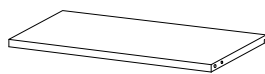
x 1

10



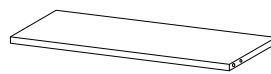
x 1

11



x 1

12



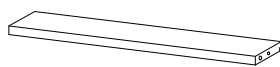
x 1

13



x 1

14



x 1

15



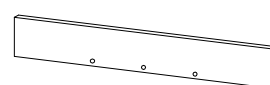
x 1

16



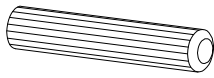
x 4

17



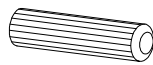
x 1

A



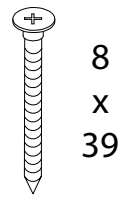
x 8

B



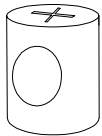
x 13

C



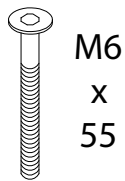
x 10

D



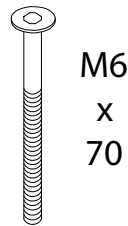
x 10

E



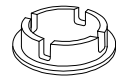
x 2

F



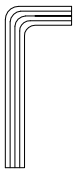
x 8

G



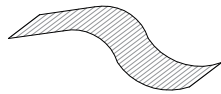
x 10

H



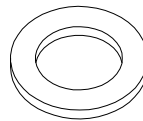
x 1

I



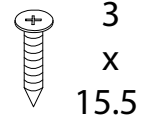
x 2

J



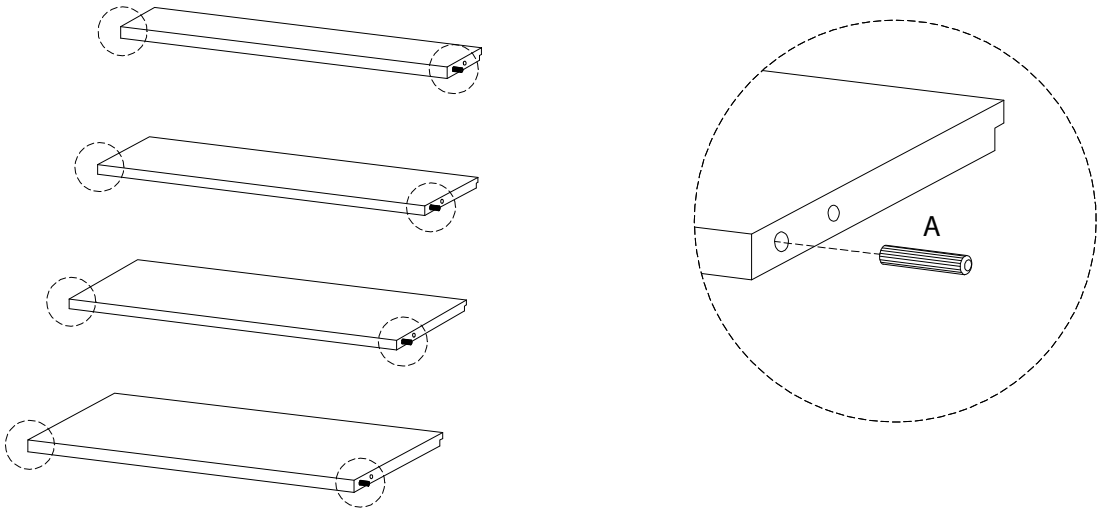
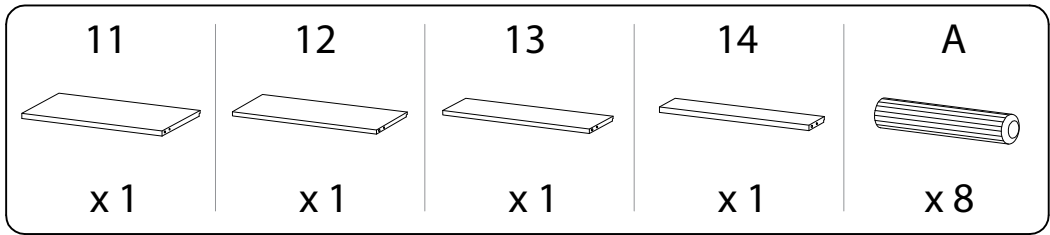
x 2

K

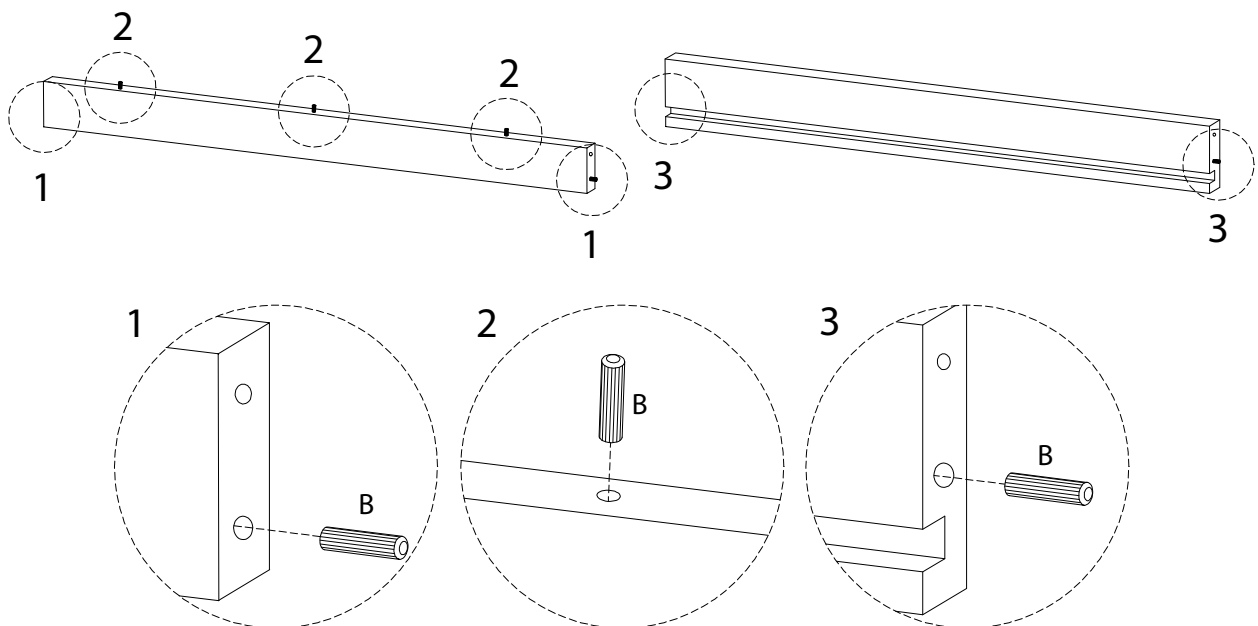
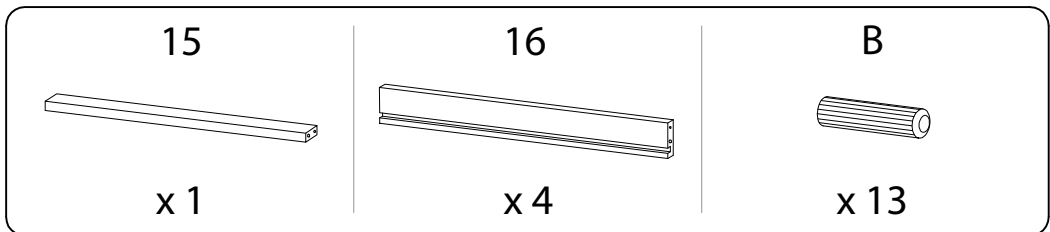


x 2

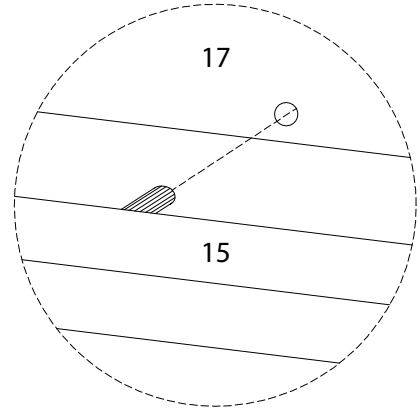
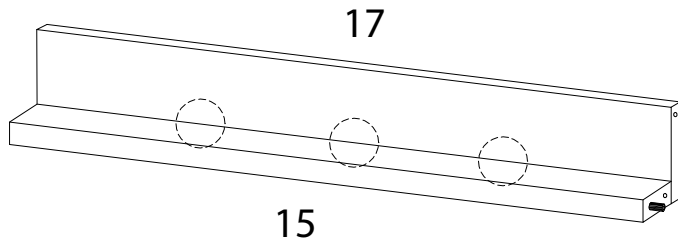
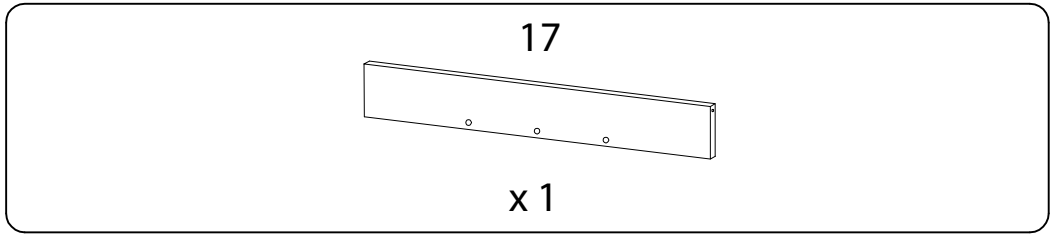
1



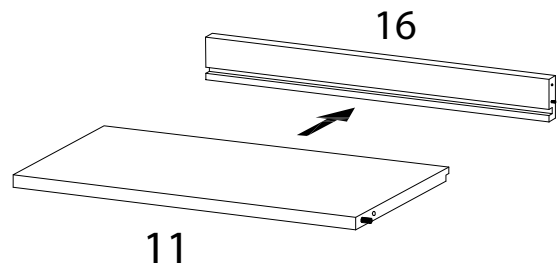
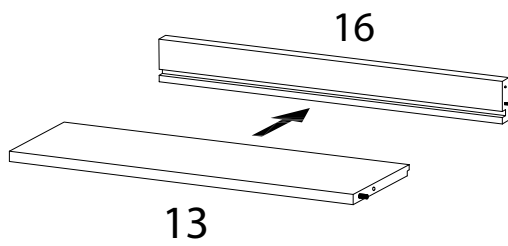
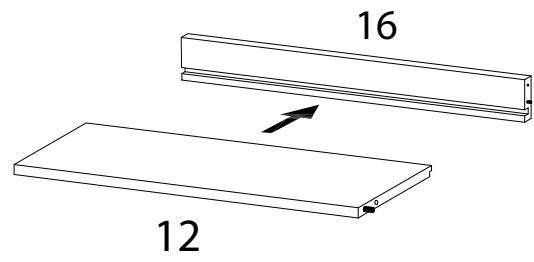
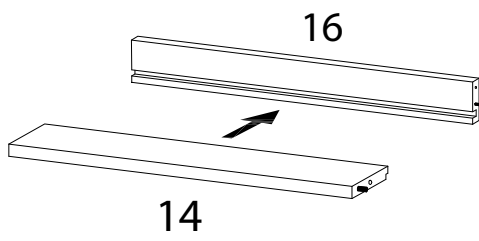
2



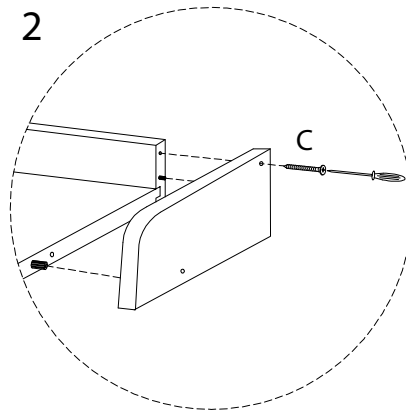
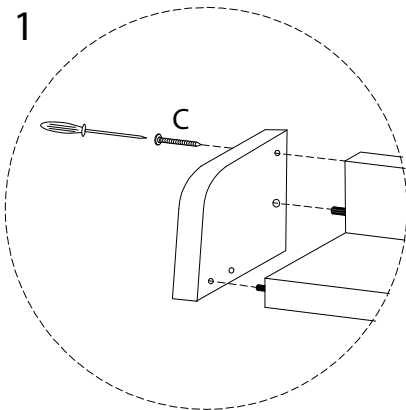
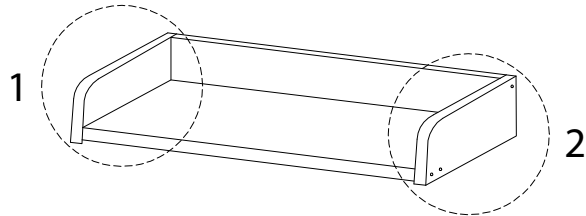
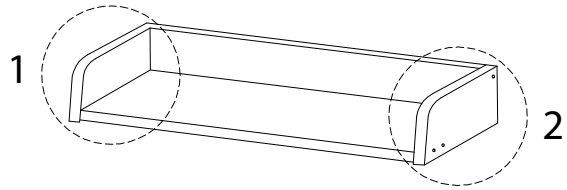
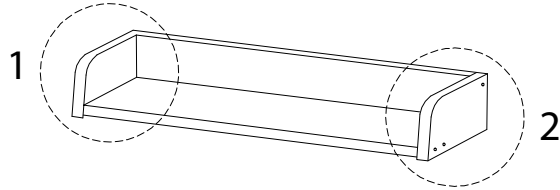
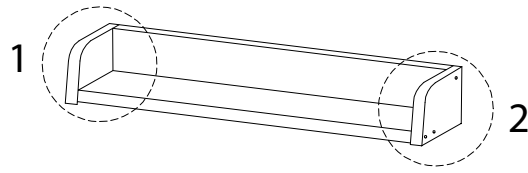
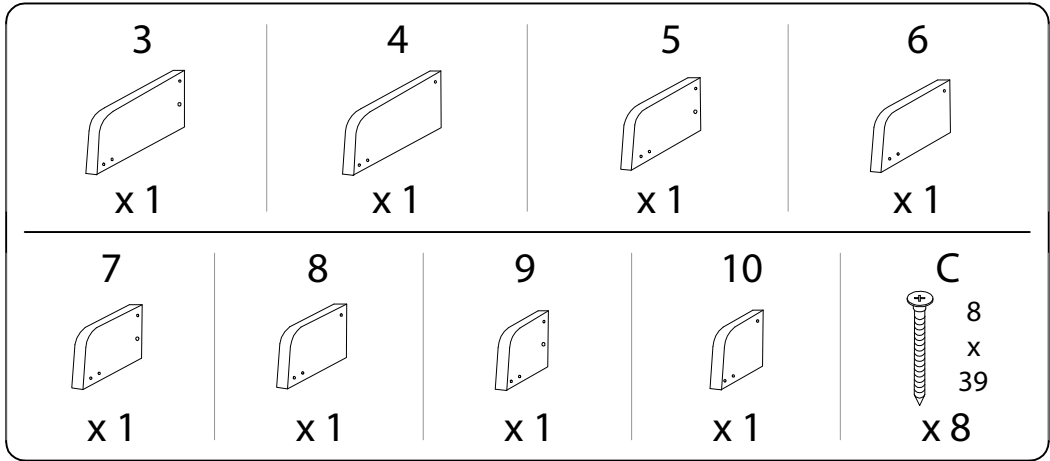
3






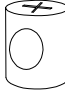
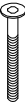
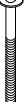

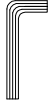
4

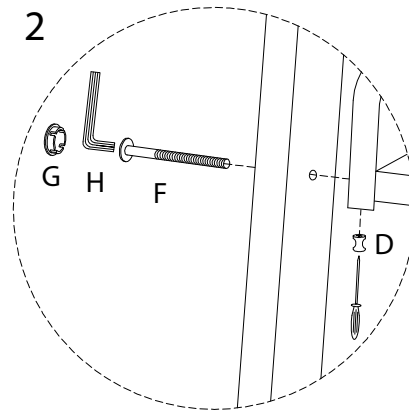
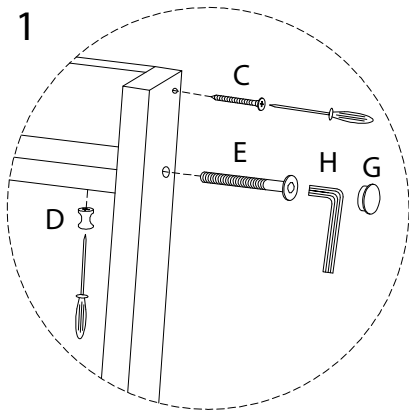
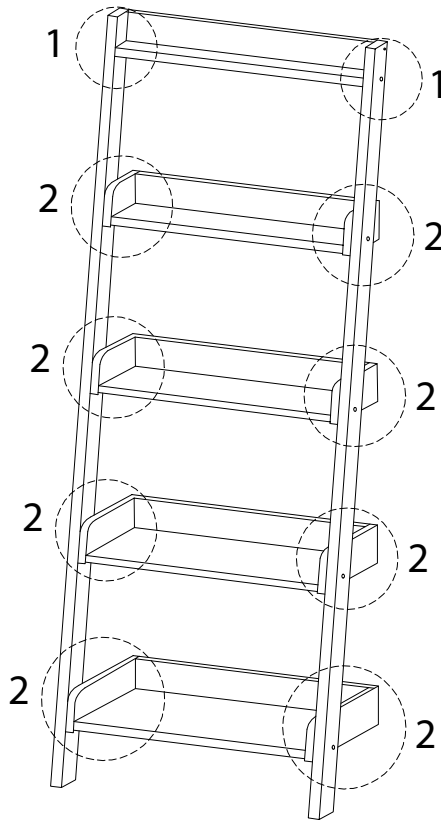


5



6

<p>1  x 1</p>	<p>2  x 1</p>	<p>C  8 x 39 x 2</p>	<p>D  x 10</p>
<p>E  M6 x 55 x 2</p>	<p>F  M6 x 70 x 8</p>	<p>G  x 10</p>	<p>H  x 1</p>



7

