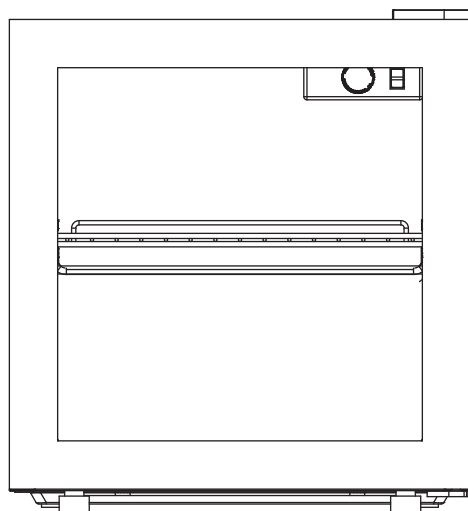


# Wine Cooler

*Instruction Manual*



**SKU: BR-55H**

# Congratulations

Dear Customer:

Welcome to the our family. Thank you for purchasing one of our products.

Our goal is to provide you with superior service. If there is anything missing from or wrong with your order, or if you have any questions about using our product, PLEASE contact us.

Email: [after-sales-services@hotmail.com](mailto:after-sales-services@hotmail.com)

Our team is available 24/7 to address your questions, comments, and concerns. Your satisfaction is our ultimate goal. We want to make everything right so you'll share your positive experience with other shoppers on Amazon.

If you experience any problems, please send an email to [after-sales-services@hotmail.com](mailto:after-sales-services@hotmail.com)

Our mission:

- \* To be the most trusted appliance brand.
- \* To create practical, compact appliances that better your life.

# TABLE OF CONTENTS

GENERAL SAFETY RULES .....	02
PARTS AND FEATURES .....	03
INSTALLING YOUR WINE COOLER .....	04
PROPER WINE COOLER CARE & CLEANING .....	07
TROUBLESHOOTING .....	08
WARRANTY .....	09

# GENERAL SAFETY RULES

---



**WARNING:** When using this appliance, always exercise basic safety precautions, including the following:

- 1) Read all of the instructions before using this appliance.
- 2) Use this appliance only for its intended purpose as described in this user manual.
- 3) This Wine Cooler must be properly installed in accordance with the installation instructions before it is used. See grounding instructions in the installation section.
- 4) Never unplug your Wine Cooler by pulling on the power cord. Always grasp the plug firmly and pull it straight out from the outlet.
- 5) Repair or replace immediately all electrical cords that have become frayed or otherwise damaged. Do not use a cord that shows cracks or abrasion damage along its length, on the plug, or at the connector end.
- 6) Unplug your Wine Cooler before cleaning or repairing it. Note: If for any reason this product requires service, we strongly recommend that a certified technician perform the service.
- 7) If your Wine Cooler is not being used for a length of time or is being stored, we recommend that you remove the doors and leave the shelves in place. This will reduce the risk of danger to children.
- 8) This Wine Cooler should not be recessed or built into an enclosed cabinet. It is designed for freestanding installation only.
- 9) Do not operate your Wine Cooler in the presence of explosive fumes.
- 10) Your Wine Cooler was NOT designed to store perishable foods. Store only bottled or canned beverages.

## SAVE THESE INSTRUCTIONS

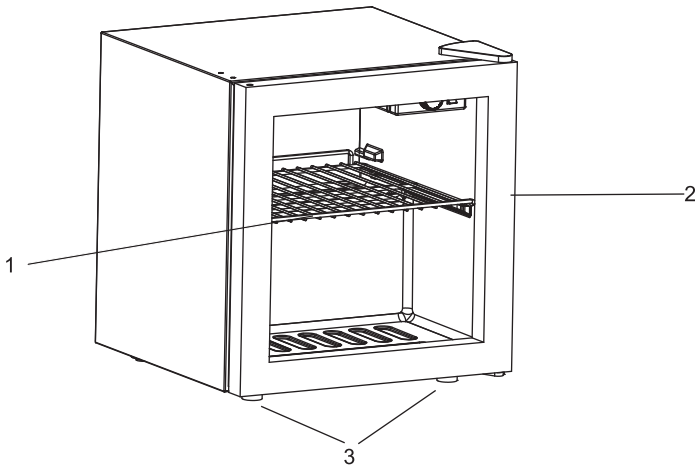


**DANGER**

**Risk of child entrapment. Before you throw away your appliance, take off the doors. Leave the shelves in place so that children may not easily climb inside.**

# I PARTS AND FEATURES

---



- |                             |                                  |
|-----------------------------|----------------------------------|
| 1. Wire Shelf               | 2. Tinted Double-Pane Glass Door |
| 3. Adjustable Leveling Legs | 4. Drip Tray (in back—not shown) |



**DANGER:** Risk of Fire or Explosion. Flammable Refrigerant Used. To Be Repaired Only by Trained Service Personnel. Do Not Puncture Refrigerant Tubing.

**CAUTION:** Risk of Fire or Explosion. Flammable Refrigerant Used. Consult Repair Manual/Owner's Guide Before Attempting to Service This Product. All Safety Precautions Must be Followed.

**CAUTION:** Risk of Fire or Explosion. Dispose of Properly in Accordance With Federal or Local Regulations. Flammable Refrigerant Used.

**CAUTION:** Risk of Fire or Explosion Due to Puncture of Refrigerant Tubing. Follow Handling Instructions Carefully. Flammable Refrigerant Used.

# I INSTALLING YOUR WINE COOLER

---

## Unpacking Your Wine Cooler

1. Remove all packing material. This includes the foam base and all adhesive tape holding the Wine Cooler accessories inside and outside.
2. Inspect and remove any remaining packing material, tape, or printed materials before powering on the Wine Cooler.

## Leveling Your Wine Cooler

- Your Wine Cooler has two leveling legs located at the front corners. After properly placing your Wine Cooler in its final position, you can level your Wine Cooler.
- Turn the leveling legs clockwise to lower your Wine Cooler or counterclockwise to raise your Wine Cooler. The Wine Cooler door will close more easily when the two front leveling legs are extended slightly.

## Proper Air Circulation

- To ensure that your Wine Cooler works at maximum efficiency, install it in a location with proper air circulation and electrical connections.
- The following are recommended clearances around the Wine Cooler:

Sides	2" (50 mm)
Top	2" (50 mm)
Back	2" (50 mm)
- To achieve proper cooling, do not overfill your Wine Cooler.

**Note: If your Wine Cooler has been tilted for any reason, wait 24 hours before plugging it in.**

## Drip Tray

- Ensure the drip tray in the rear of the unit is in the proper position.



## **WARNING: SHOCK HAZARD**

### **Electrical Requirements**

- Make sure there is a suitable power outlet (115V/15A) with proper grounding to power the Wine Cooler.
- Never use an adapter or cut off the grounding prong in order to accommodate a two-prong outlet. This is a dangerous practice since it provides no effective grounding for the Wine Cooler and may result in shock.

### **Installation Limitations**

- Do not install your Wine Cooler in any location not properly insulated or heated (e.g., a garage). Your Wine Cooler was not designed to operate in ambient temperatures below 55° F.
- Select a suitable location for the Wine Cooler on a hard, even surface away from direct sunlight or heat sources (e.g., radiators, baseboard heaters, cooking appliances, etc.). Any floor unevenness should be corrected with the leveling legs located on the front bottom corners of the Wine Cooler.
- Your Wine Cooler is designed for freestanding installation only. It is not designed for built-in applications. Note: This unit is for indoor use only.

### **Use of Extension Cord**

- The use of an extension cord poses a safety hazard under certain conditions. If it is necessary to use an extension cord, use only a 3-wire extension cord that has a 3-prong grounding plug in a 3-slot outlet that will accept the plug. The marked rating of the extension cord must be equal to or greater than the electrical rating of the appliance.

## Shelving

To remove or replace a full-width slide-out shelf:

1. Gently tilt the shelf up and slide it forward until the shelf has been completely removed.
2. To replace the shelf, gently slide the shelf back into its original place.

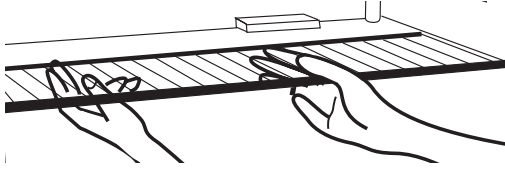


Fig. 2

## Normal Operating Sounds You May Hear

- Bubbling or gurgling sounds, or slight vibrations are the result of the refrigerant circulating through the cooling coils.
- The compressor makes sounds when cycling on and off.

# I PROPER WINE COOLER CARE & CLEANING

---

## Cleaning and Maintenance

**Warning:**

To avoid electric shock, always unplug your Wine Cooler before cleaning it. Ignoring this warning may result in severe injury.

**Caution:**

Before using cleaning products, always read and follow manufacturer's instructions and warnings to prevent personal injury or product damage.

**General:**

- Prepare a cleaning solution of 3–4 T. of baking soda in warm water. Dampen a sponge or soft cloth with the cleaning solution and use it to wipe your Wine Cooler.

- Rinse with clean, warm water and dry with a soft cloth.

- Do not use harsh chemicals, abrasives, ammonia, chlorine bleach, concentrated detergents, solvents, or metal scouring pads. Some of these substances may erode, damage, and/or discolor your Wine Cooler.

**Door Gaskets:**

- Clean door gaskets every 3 months according to general instructions. Gaskets must be kept clean and pliable to assure a proper seal.

- Petroleum jelly applied lightly on the hinge side of gaskets will keep the gasket pliable and ensure a good seal.

## Defrosting Your Wine Cooler

Your Wine Cooler is designed with a manual defrost system. The Wine Cooler surfaces will defrost when the unit is unplugged. Water from the unit will be channeled onto a drip tray located on the compressor. Heat transfer from the compressor causes the water to evaporate.

## Power Interruptions

- Occasional power interruptions may result from thunderstorms or other causes. Remove the power cord from the AC outlet when a power outage occurs. When power has been restored, reconnect the power cord to the AC outlet.

## Vacation and Moving Care

- For long vacations or absences, empty contents from Wine Cooler, unplug the unit, and clean the Wine Cooler and door gaskets according to the section on general cleaning. Keep doors open so air can circulate inside. When moving the Wine Cooler, always keep the unit vertical. Laying the unit down could cause damage to the sealed system.

# TROUBLESHOOTING

---

## **Wine Cooler does not operate**

- Check if Wine Cooler is plugged in.
- Check if there is power at the AC outlet by checking the circuit breaker.
- Check if the power pad is on.

## **Temperature is too warm**

- Open the door less frequently.
- Allow time for recently added beverages to reach the proper temperature.
- Check door gaskets for proper seal.
- Adjust the temperature control to a lower setting.

## **Temperature is too cold**

- Adjust the temperature control to a higher setting and allow several hours for temperature to adjust.

## **Wine Cooler runs too frequently**

- In high temperatures and high humidity, it may be normal for the Wine Cooler to run continually to maintain a constant temperature.
- Open the door less frequently.
- Check door gaskets for proper seal.
- Check to see if doors are completely closed.

## **Moisture build-up on interior or exterior of the Wine Cooler**

- This is normal in high humidity.
- Open the door less frequently.
- Check door gaskets for proper seal.

## **Wine Cooler door does not shut properly**

- Level the Wine Cooler.
- Check for blockages.

# WARRANTY

---

We offers a limited 1-year warranty ("warranty period") on all of our products purchased new and unused from us with an original proof of purchase and where a defect has arisen, wholly or substantially, as a result of faulty manufacture, parts, or workmanship during the warranty period. The warranty does not apply where damage is caused by other factors, including without limitation:

- (a) normal wear and tear;
- (b) abuse, mishandling, accident, or failure to follow operating instructions;
- (c) exposure to liquid or infiltration of foreign particles;
- (d) servicing or modifications of the product other than by our company;

Our warranty covers all costs related to restoring the proven defective product through repair or replacement of any defective part and necessary labor so that it conforms to its original specifications. A replacement product may be provided instead of repairing a defective product. Our sole obligation under this warranty is limited to such repair or replacement. A receipt indicating the purchase date is required for any claim, so please keep all receipts in a safe place. Although greatly appreciated, the product registration is not required to activate any warranty, and product registration does not eliminate the need for the original proof of purchase. The warranty will be voided if repairs are performed by a non-authorized third party and/or if spare parts other than those provided by the Company are used.

You may also arrange for service after the warranty expires, at an additional cost. These are our general terms for warranty service, but we always urge our customers to reach out to us with any issue, regardless of warranty terms. If you have an issue with our products, please contact us ([after-sales-services@hotmail.com](mailto:after-sales-services@hotmail.com)), and we will do our best to resolve it for you.