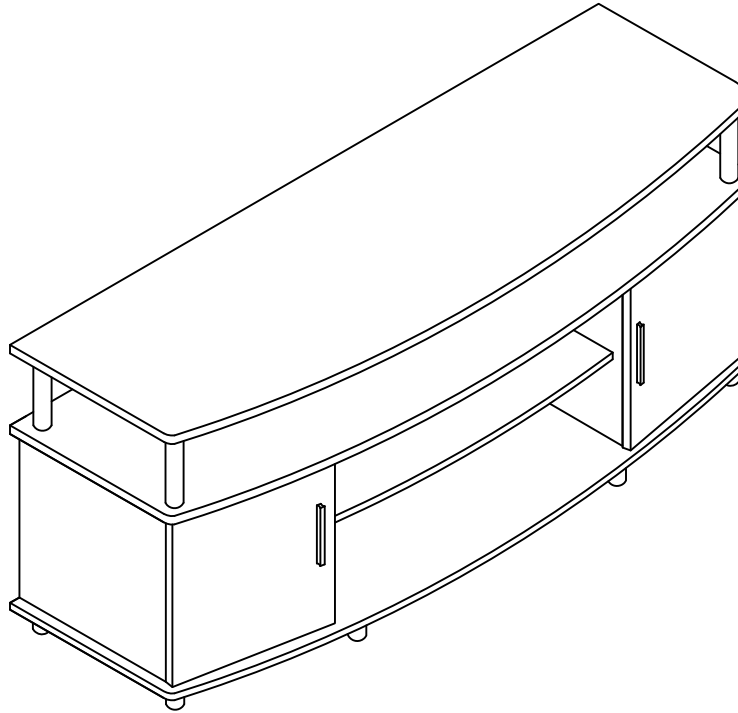


TV Stand



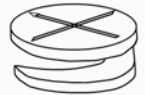
THIS INSTRUCTION BOOKLET CONTAINS **IMPORTANT** SAFETY INFORMATION. PLEASE READ AND KEEP FOR FUTURE REFERENCE.

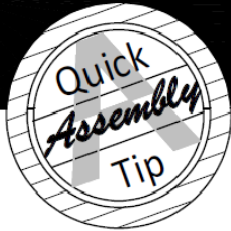
WARNING

- Unit can tip over causing severe injury or death.
- Anchor unit to stud in wall (if instructed to).
- Do Not allow children to climb on unit.
- Put heavy items on lower shelves or drawers.

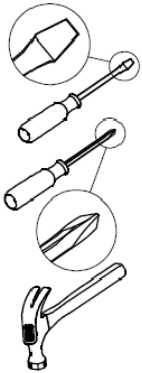
Helpful Hints

- Open your item in the area you plan to keep it for less heavy lifting
- Identify, sort and count the parts before attempting assembly
- Compression dowels are tapped in with a hammer
- Slides are labeled with an R (right) and L (left) for proper placement
- Make sure to always face the point on the top of the Can Lock towards the outer edge
- Use all the nails provided for the back panel and spread them out equally
- Back panel must be used to make sure your unit is sturdy
- Do NOT use harsh chemicals or abrasive cleaners on this item
- Never push, pull, or drag your furniture





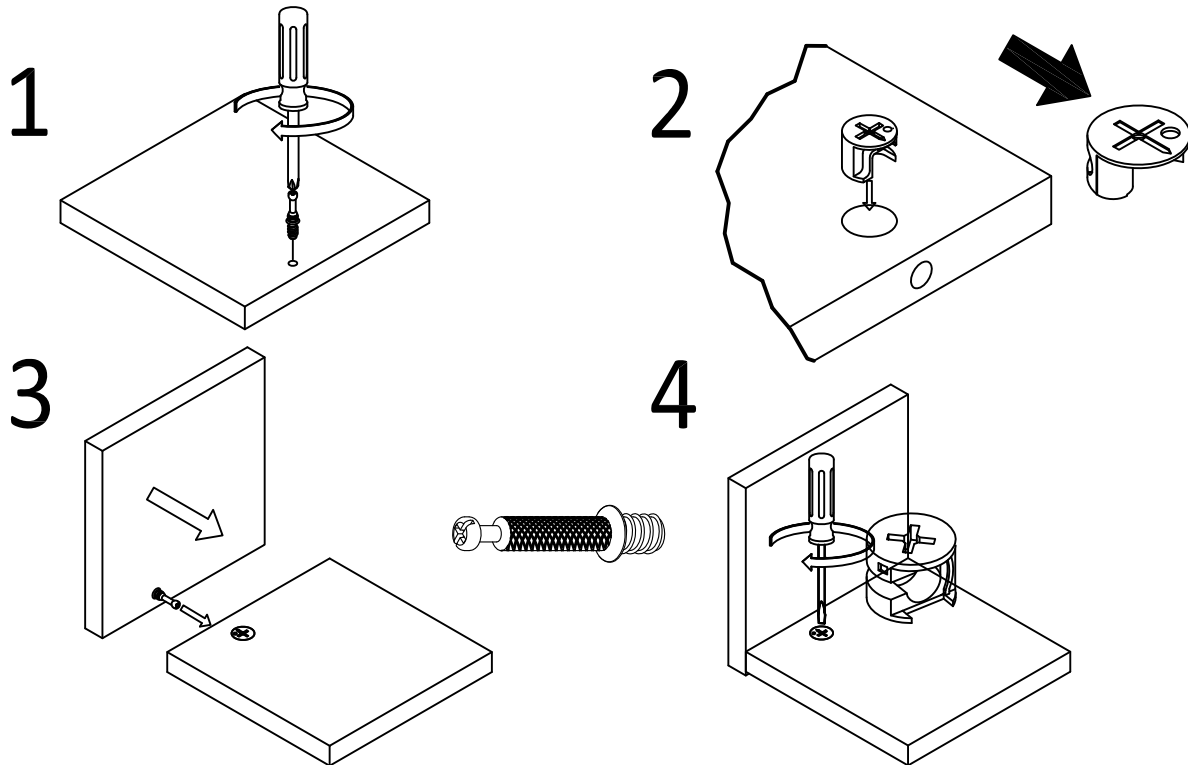
Before You Start



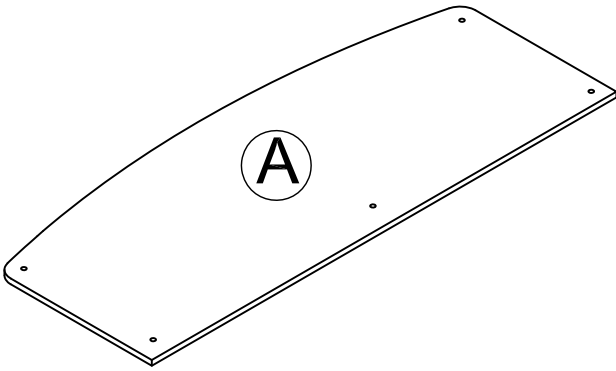
- ✓ Read through each step carefully and follow the proper order
- ✓ Separate and count all your parts and hardware
- ✓ Give yourself enough room for the assembly process
- ✓ Have the following tools: Flat Head Screwdriver, #2 Phillips Head Screwdriver and Hammer
- ✓ Caution: If using a power drill or power screwdriver for screwing, please be aware to slow down and stop when screw is tight. Failure to do so may result in stripping the screw.

Cam Lock Fastening System

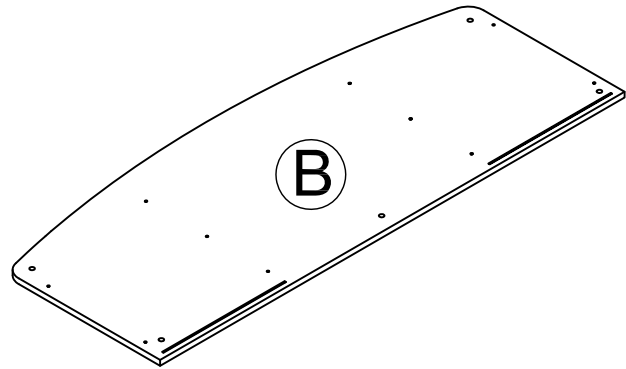
This Cam Lock Fastening System will be used throughout the assembly process.



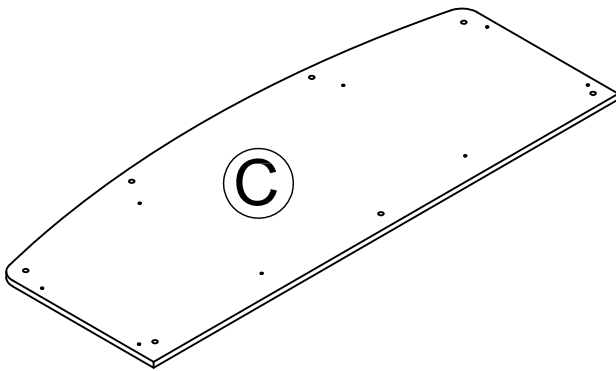
Board Identification



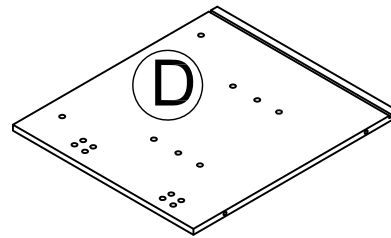
TOP
1pc



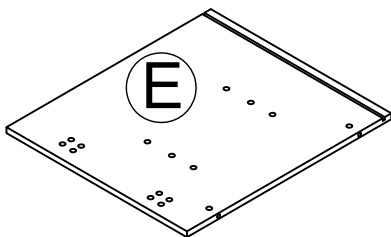
MIDDLE TOP
1pc



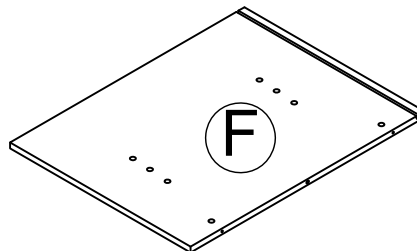
BOTTOM
1pc



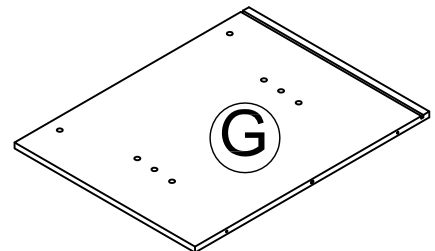
LEFT SIDE PANEL
1pc



RIGHT SIDE PANEL
1pc

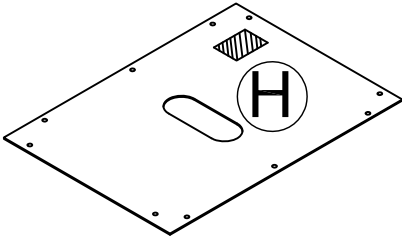


LEFT PARTITION
1pc

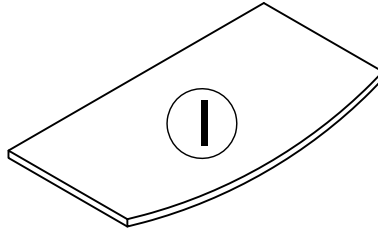


RIGHT PARTITION
1pc

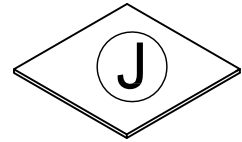
Board Identification



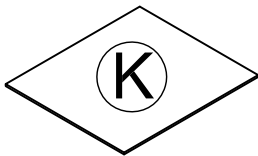
BACK PANEL
1pc



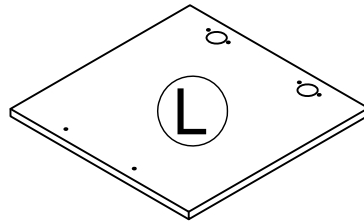
SHELF
1pc



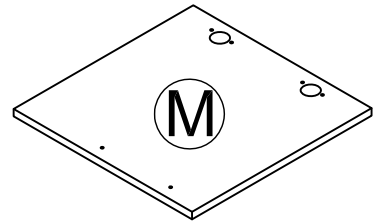
SHELF
2pcs



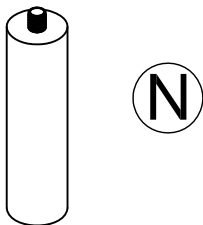
BACK PANEL
2pcs



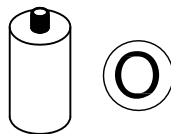
LEFT DOOR
1pc



RIGHT DOOR
1pc

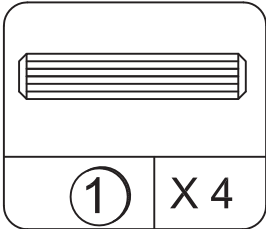


SUPPORT TUBE
5pcs

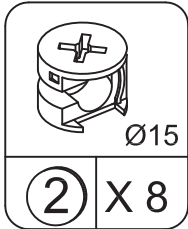


LEG
7pcs

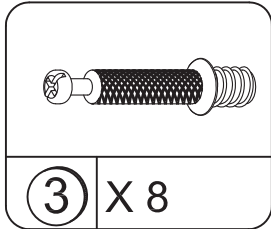
Parts List



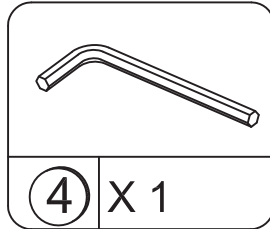
Ø6 x 30mm
WOOD DOWEL



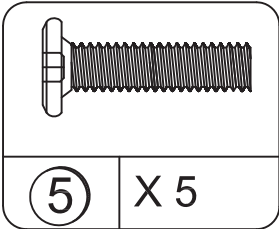
CAM LOCK



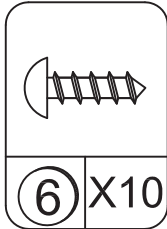
CAM BOLT



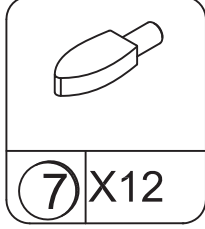
M4 HEX KEY



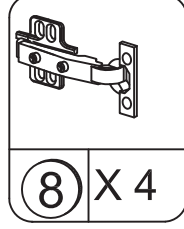
1/4 " x 25mm BOLT



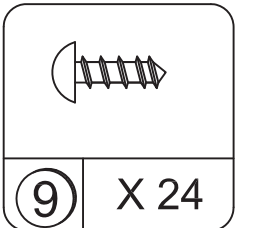
M 4.2 x 13mm SCREW



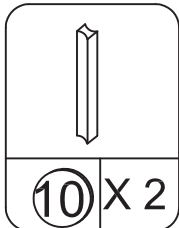
SHELF SUPPORT



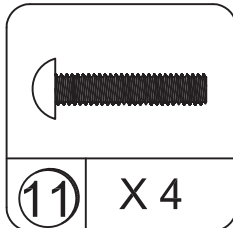
HINGE



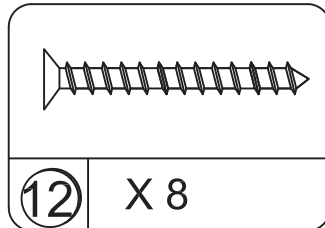
M4.2 x 13mm SCREW



HANDLE

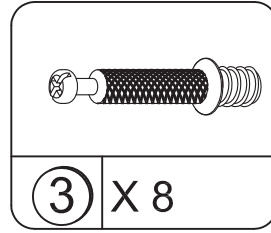
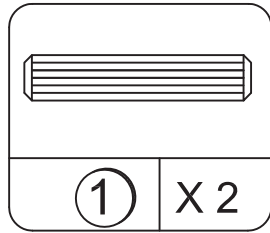


M4 x 20mm BOLT

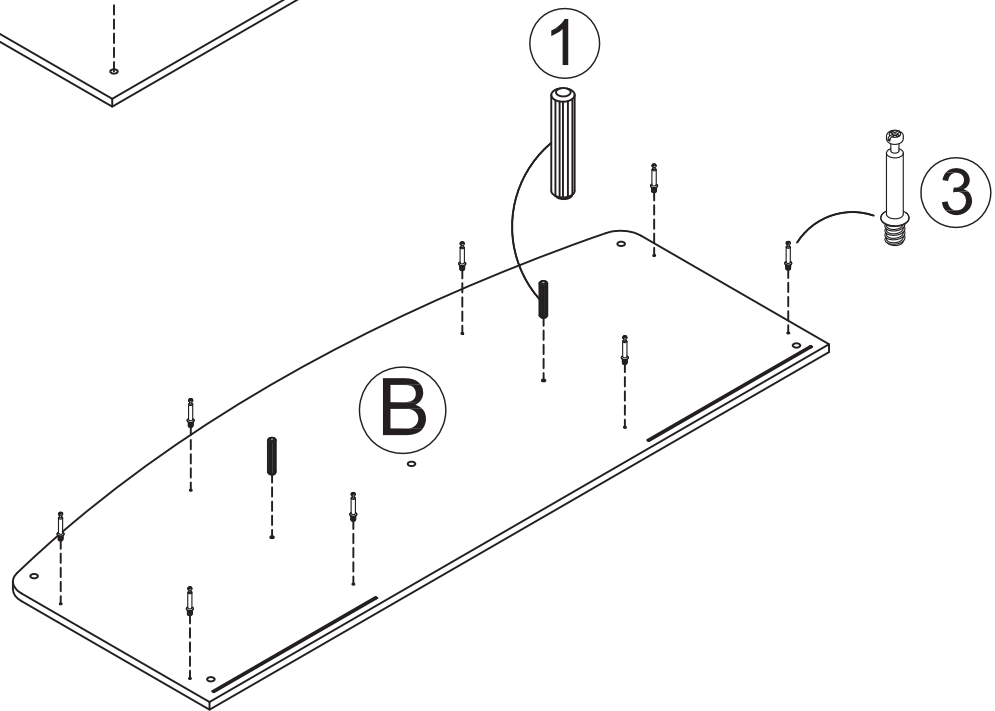
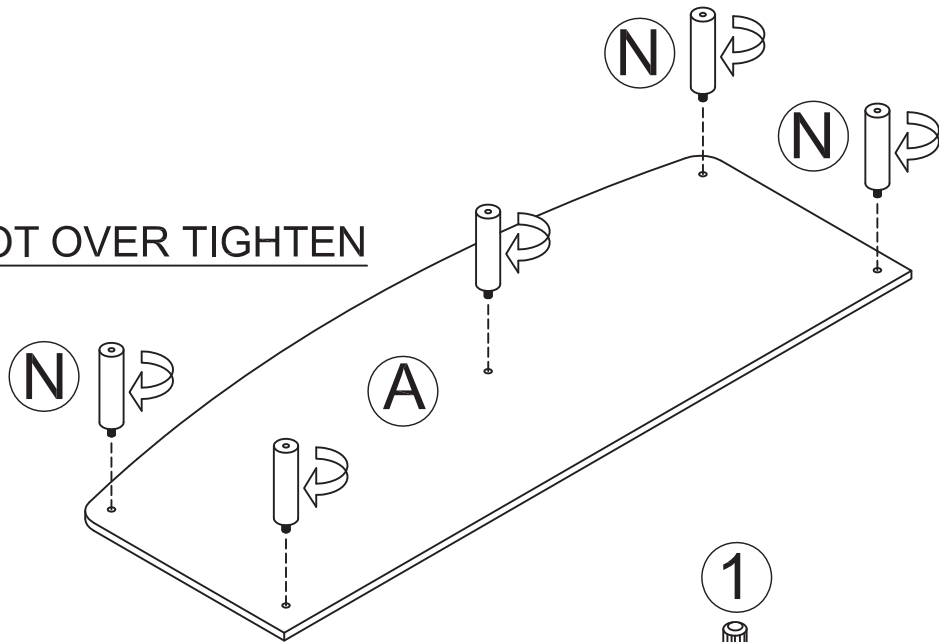


M4.2 x 35mm SCREW

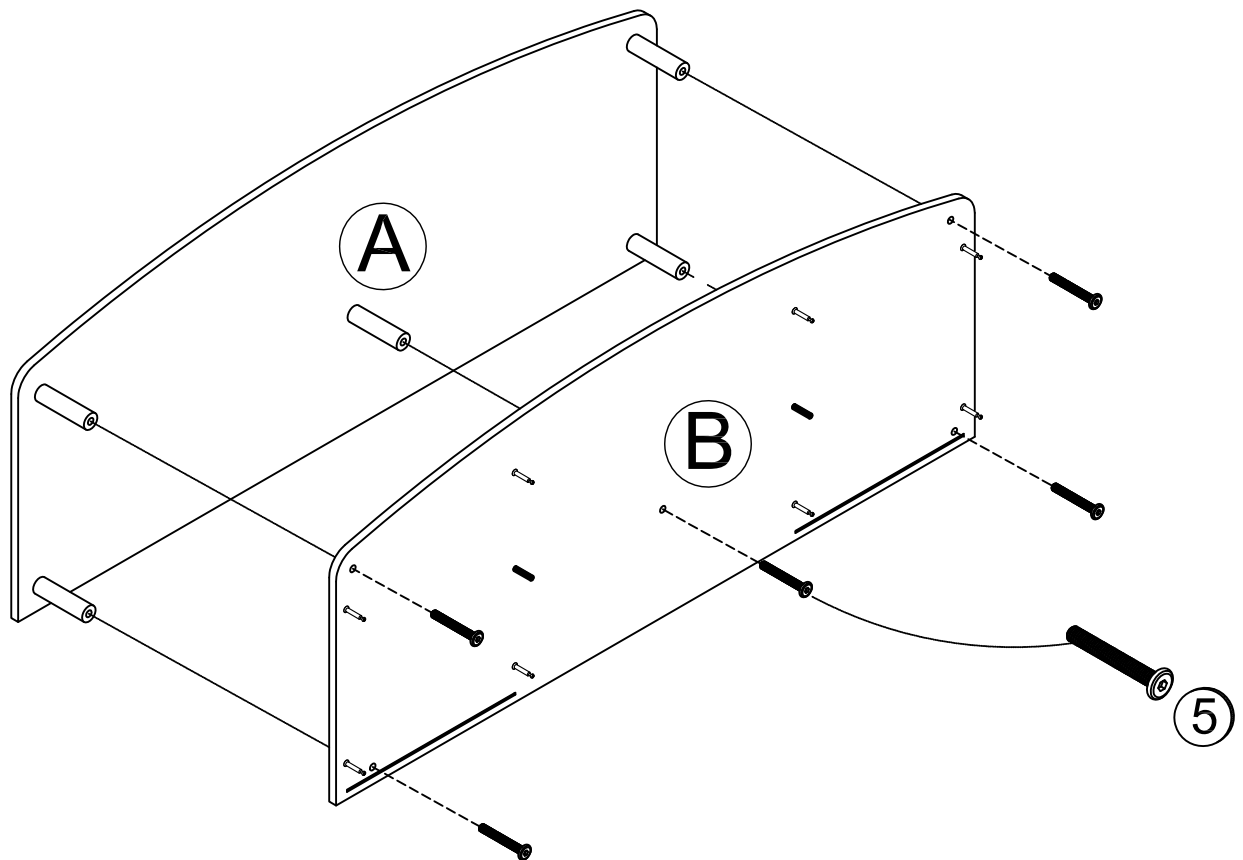
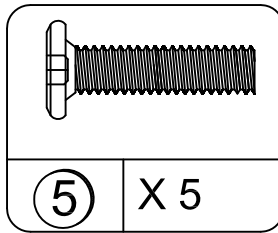
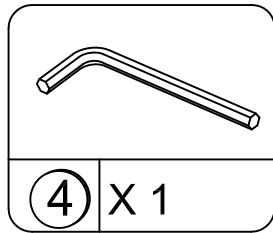
Step 1



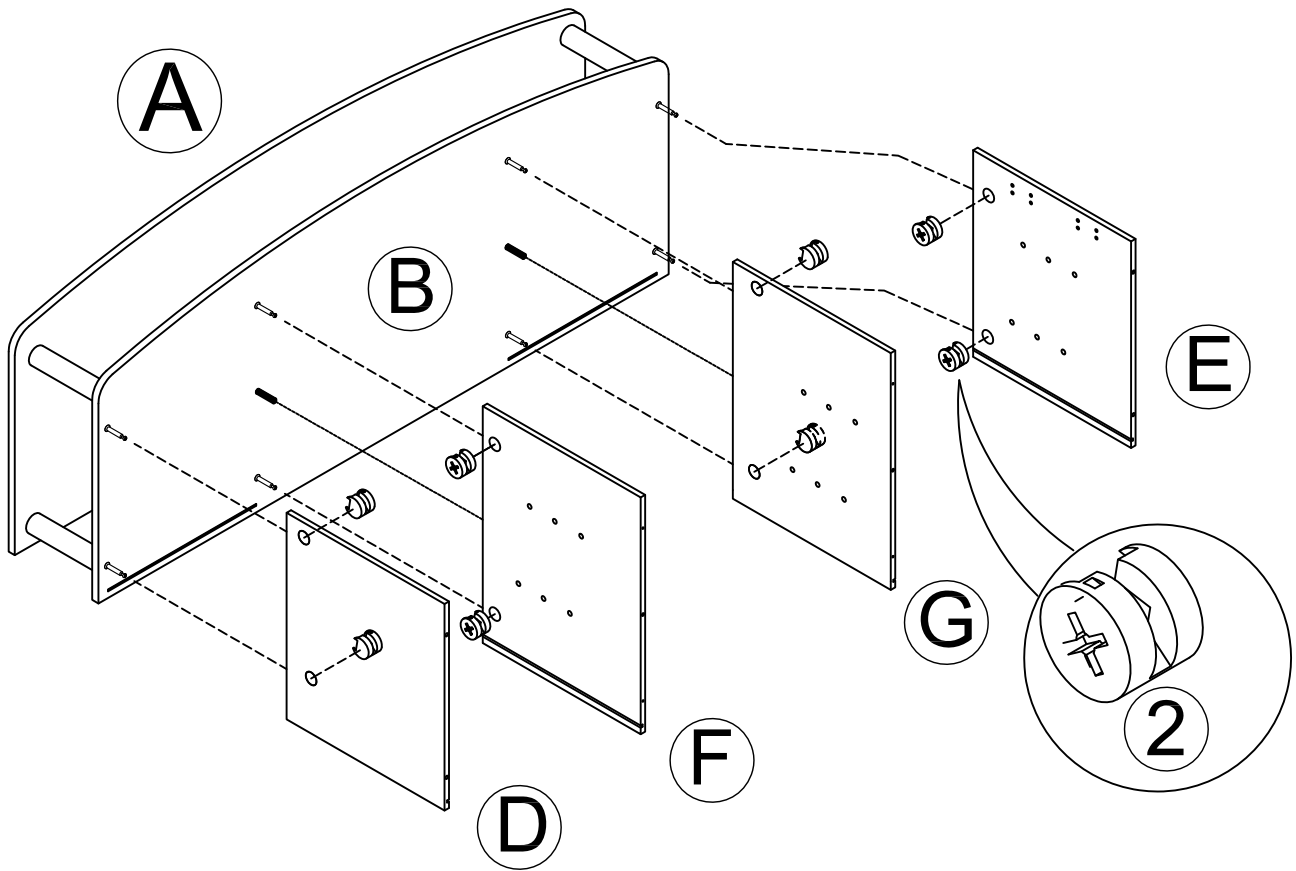
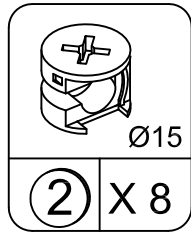
DO NOT OVER TIGHTEN



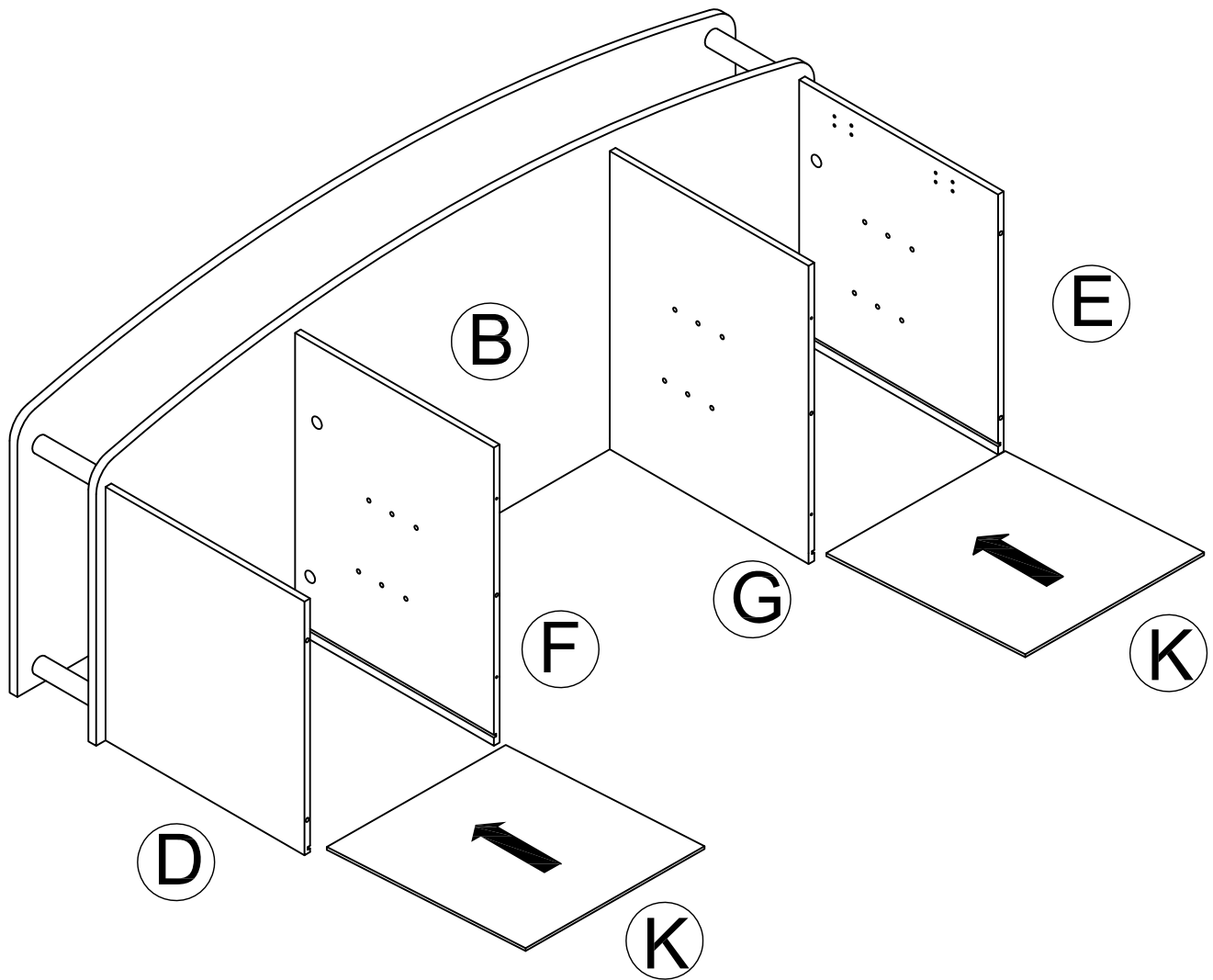
Step 2



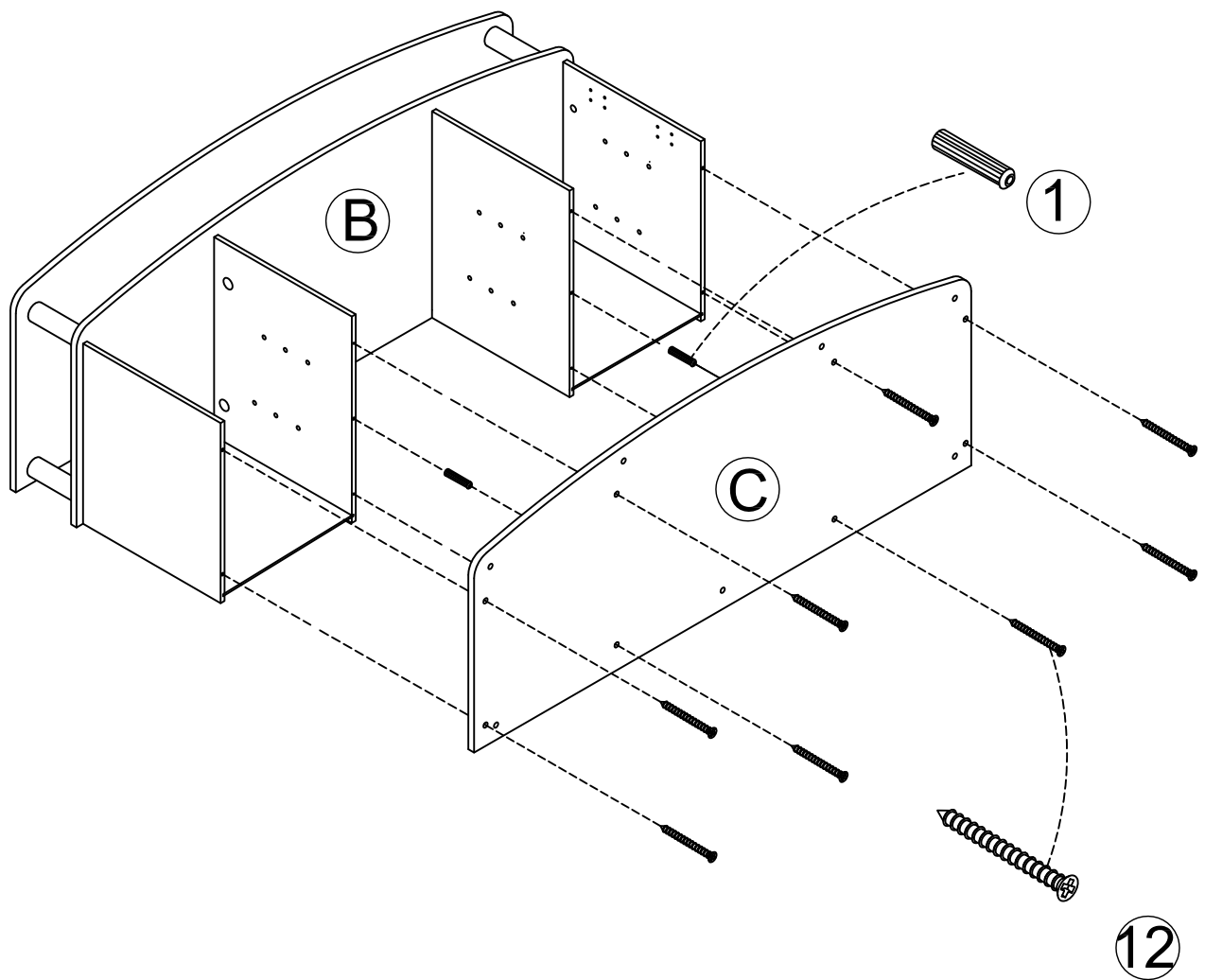
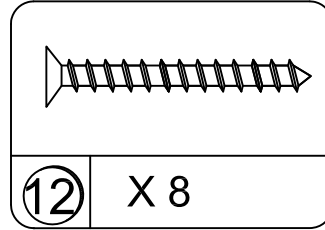
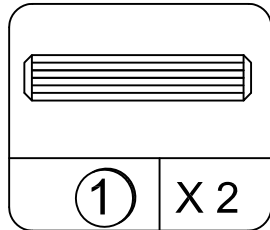
Step 3



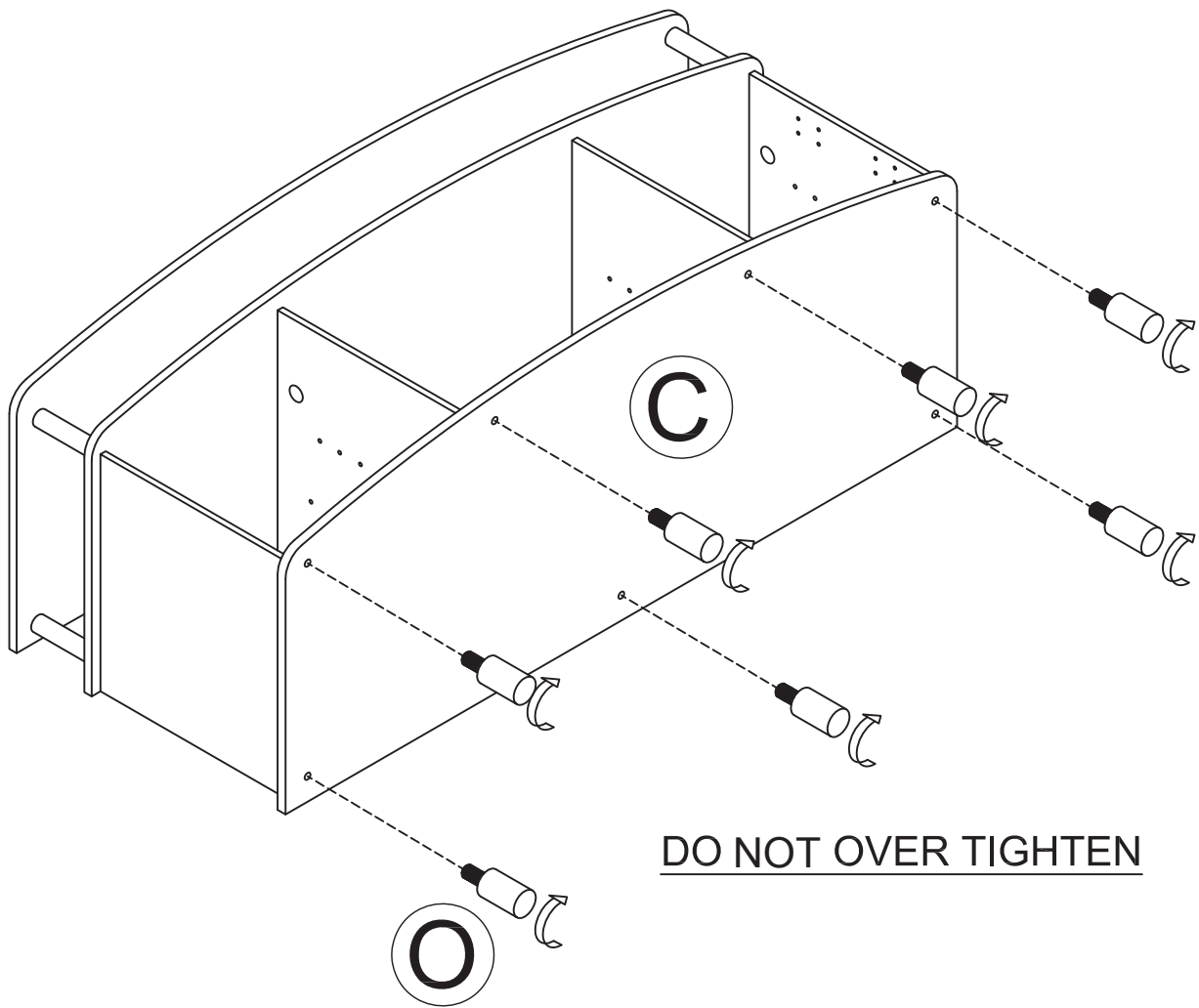
Step 4



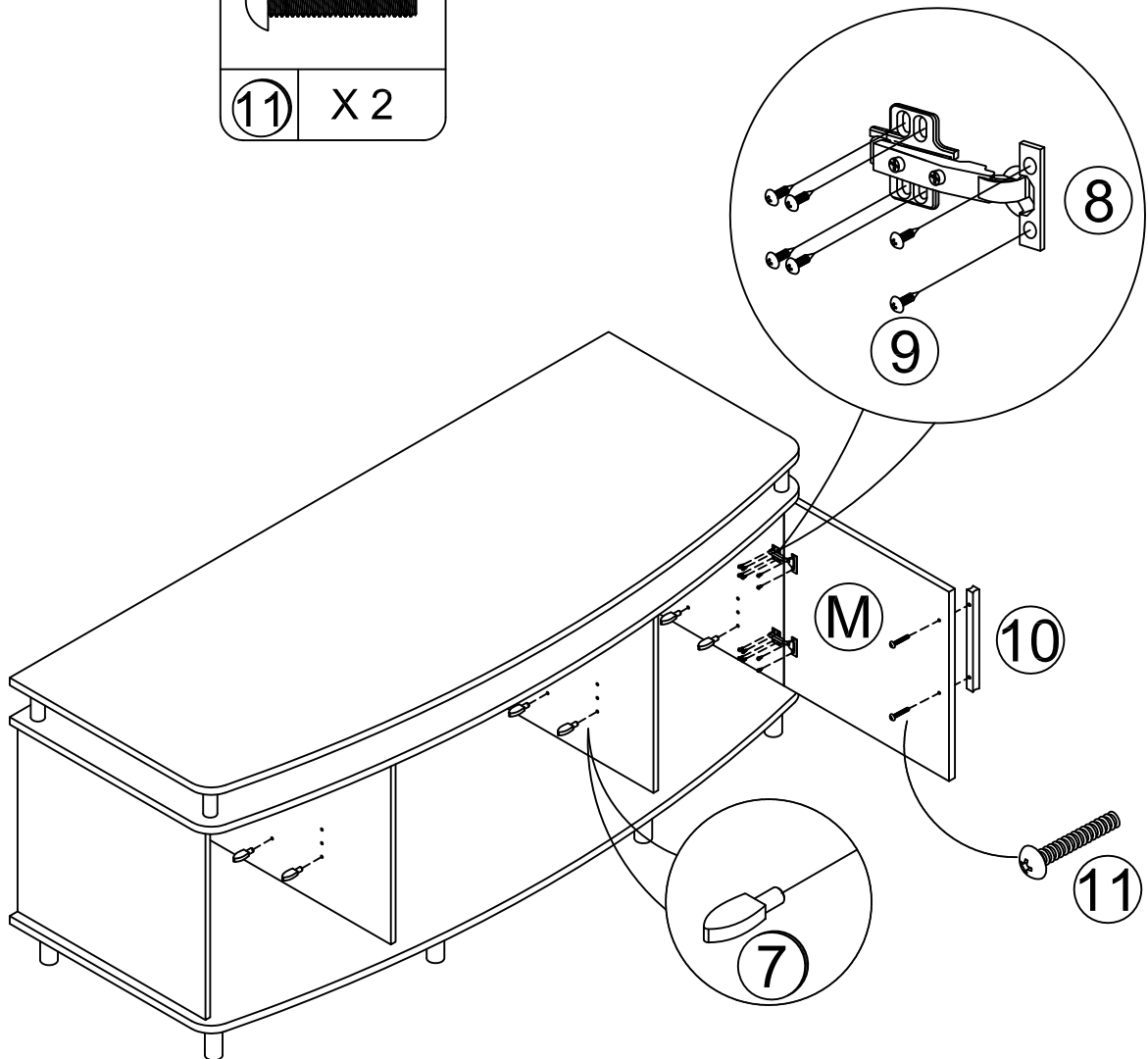
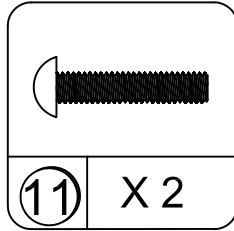
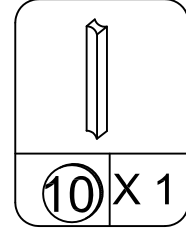
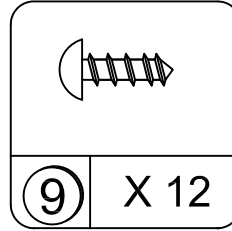
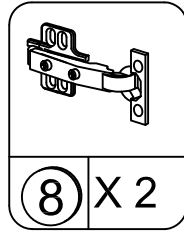
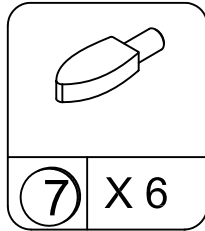
Step 5



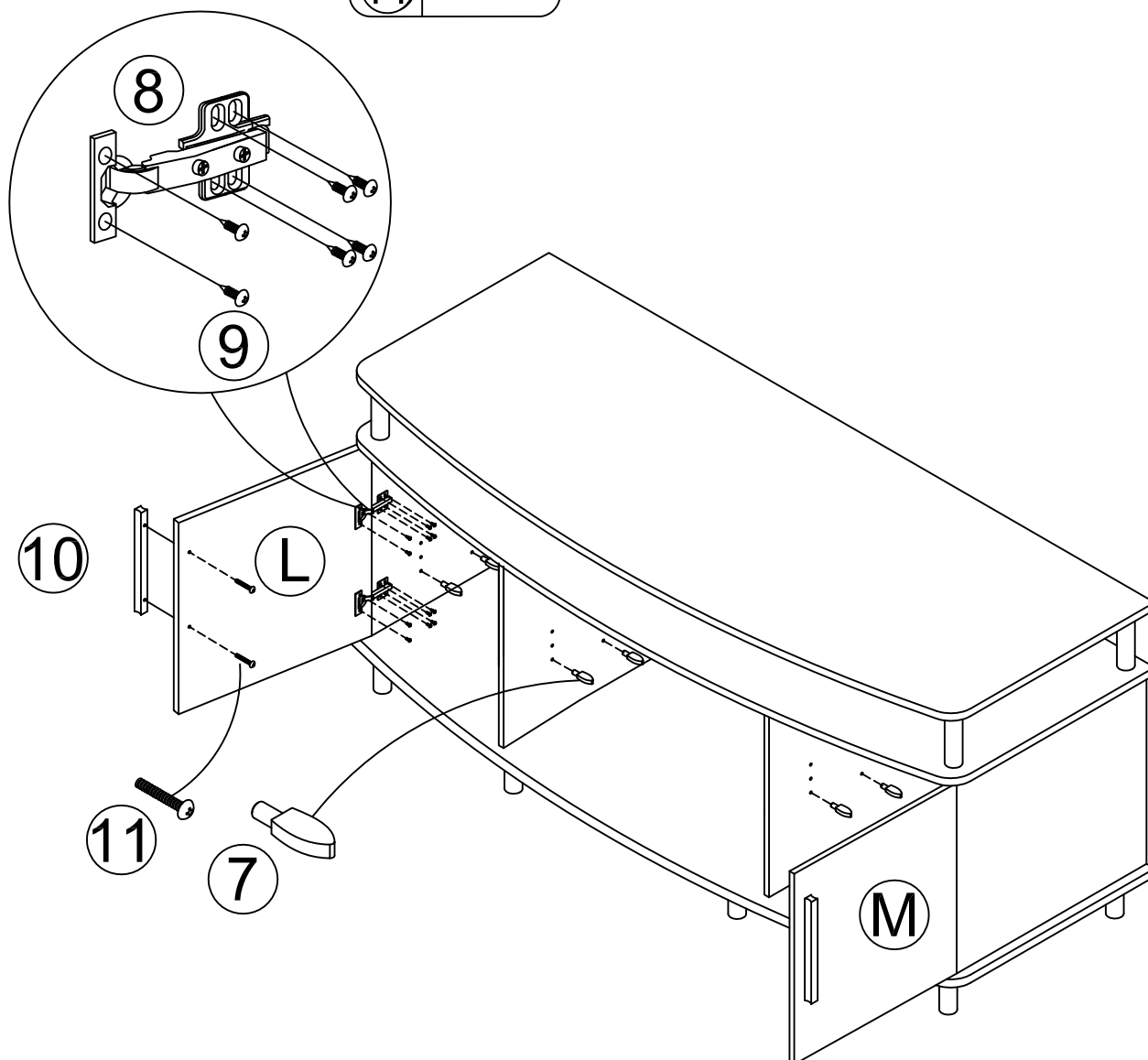
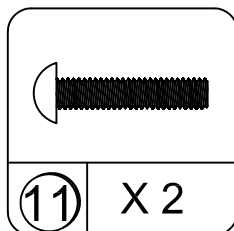
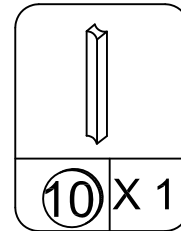
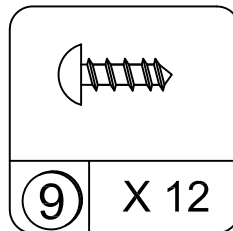
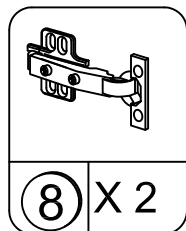
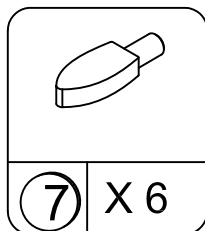
Step 6



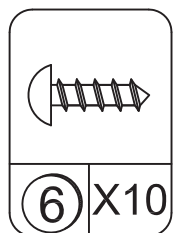
Step 7



Step 8

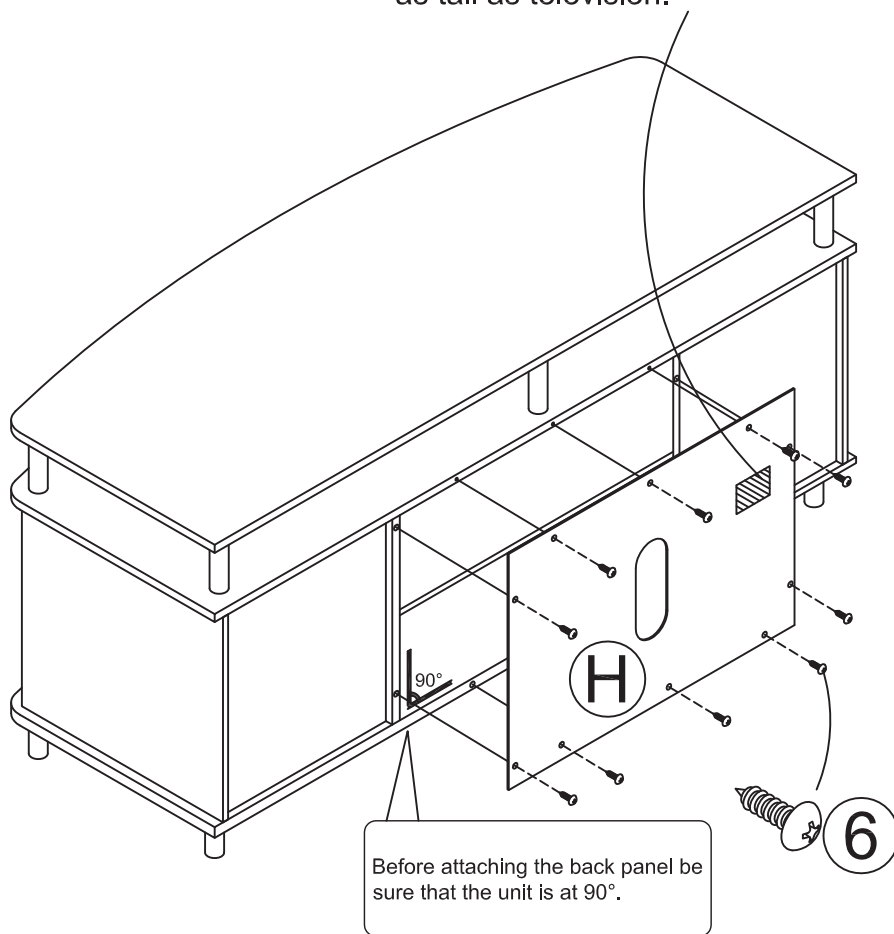


Step 9

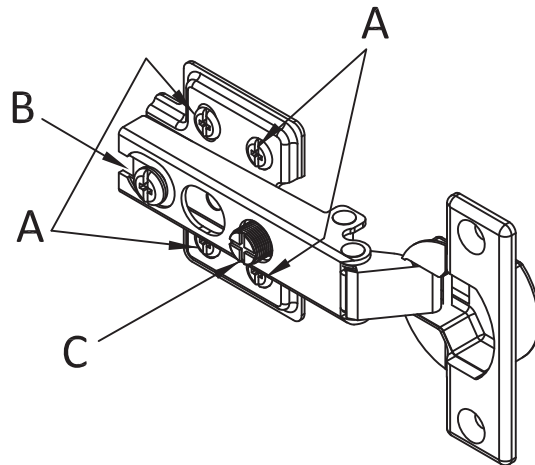


WARNING LABEL

Risk of death or serious injury. This surface must be placed against a fixed in place wall at least as tall as television.



Step 10

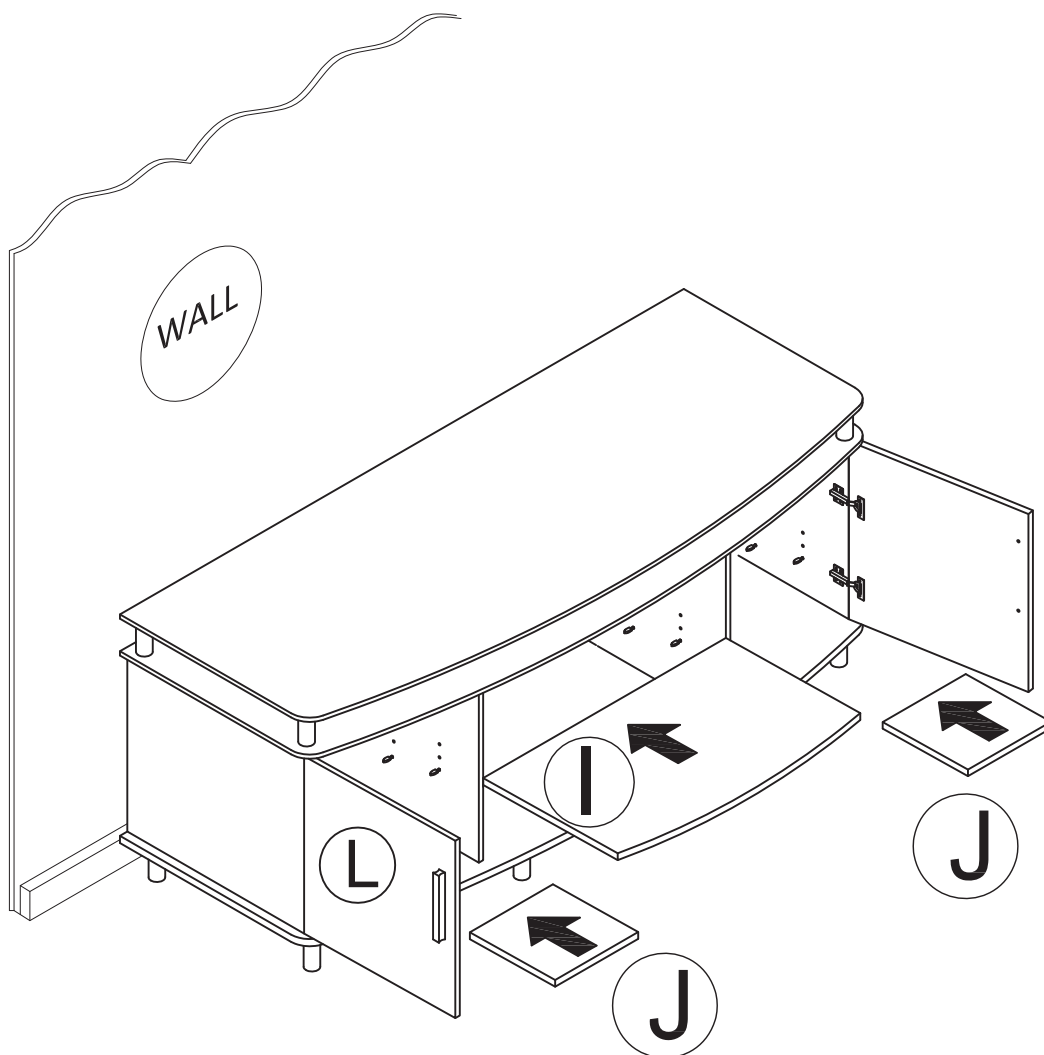


A 3D perspective view of a cabinet door with a vertical double-headed arrow indicating its movement.	A close-up of the hinge on the cabinet door. A screwdriver is shown adjusting screw A. A vertical double-headed arrow indicates the direction of adjustment. Labels 'Cabinet' and 'Door' are present.	<p>To adjust the vertical height. Loosen the four screws "A" on both hinges. Two of them are usually in slotted holes which mean you can adjust up or down by a few mm. Then tighten back up</p>
A 3D perspective view of a cabinet door with a horizontal double-headed arrow indicating its movement.	A close-up of the hinge on the cabinet door. A screwdriver is shown adjusting screw B. A horizontal double-headed arrow indicates the direction of adjustment. Labels 'Cabinet' and 'Door' are present.	<p>To adjust depth. Loosen screw "B" and adjust door, if the door can not be adjusted, please loosen screw "C", then try again. Tighten screw "B" and "C".</p>
A 3D perspective view of a cabinet door with a horizontal double-headed arrow indicating its movement.	A close-up of the hinge on the cabinet door. A screwdriver is shown adjusting screw C. A horizontal double-headed arrow indicates the direction of adjustment. Labels 'Cabinet' and 'Door' are present.	<p>To adjust side ways. Turning the screw "C" on BOTH hinges on each door.</p>

Step 11

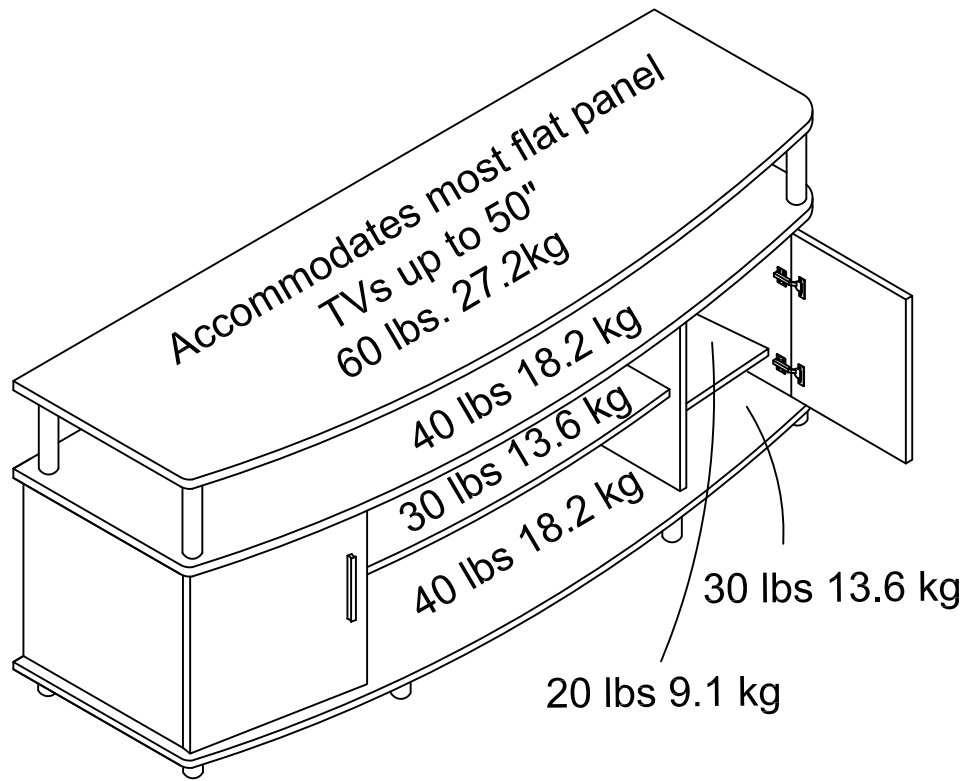
WARNING

Risk of death or serious injury.
This unit must be placed against
a fixed in place wall at least as
tall as television.



Maximum Loads

This unit has been designed to support the maximum loads shown. Exceeding these load limits could cause sagging, instability, product collapse, and/or serious injury.



Warning: Risk of injury to persons - do not place a television on this furniture. This furniture is not approved for use with a television.