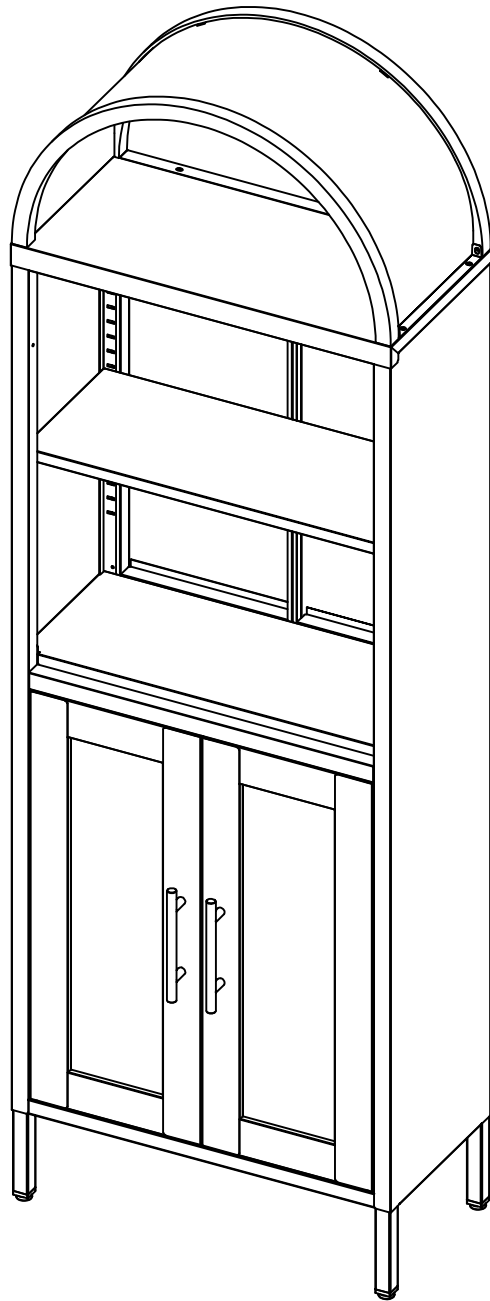
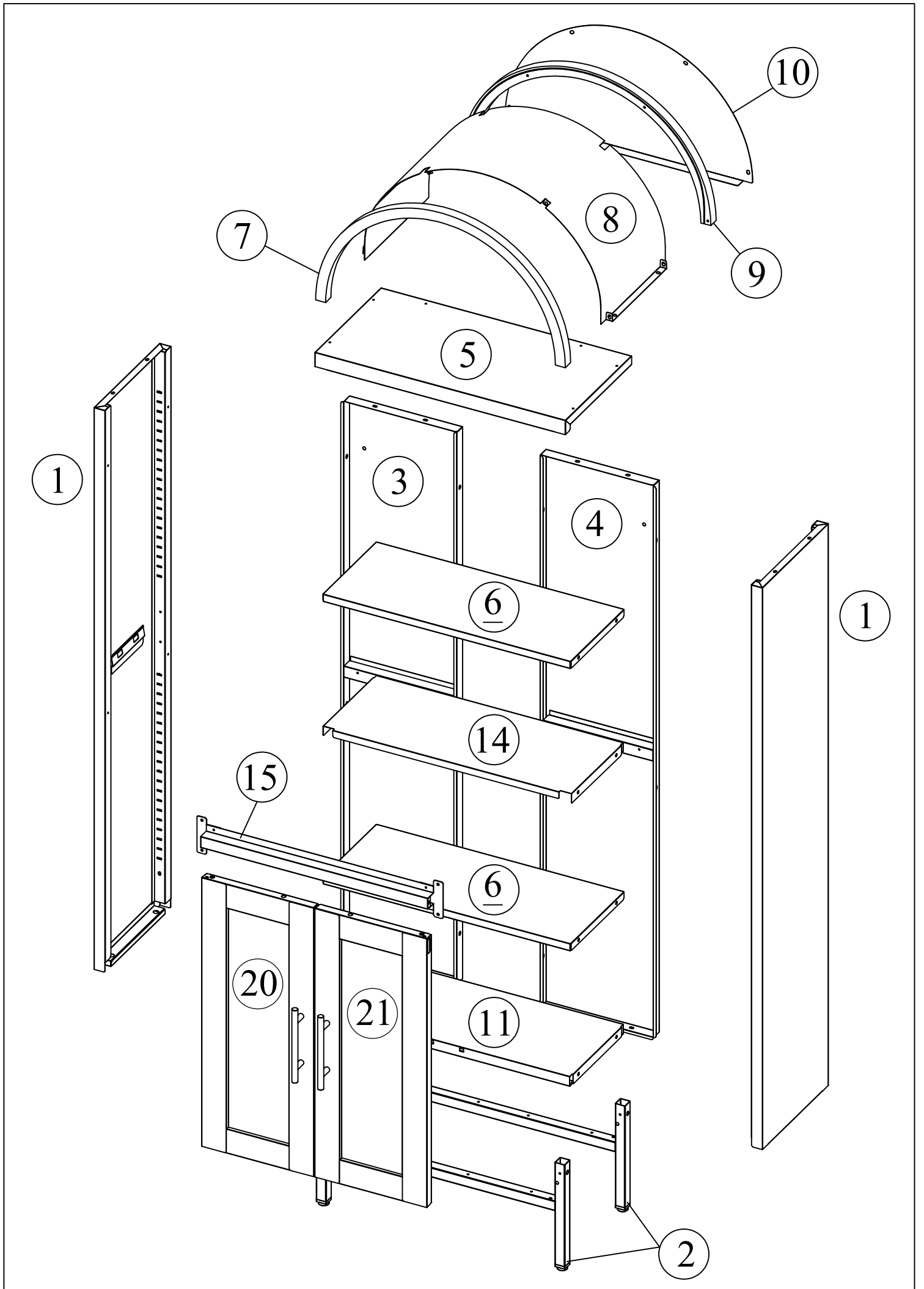
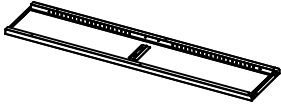
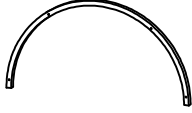
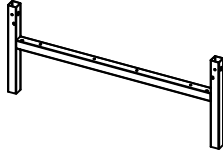
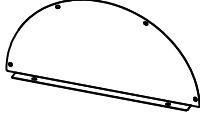
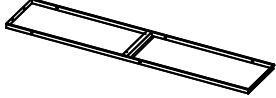
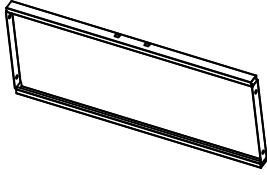
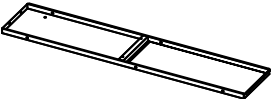
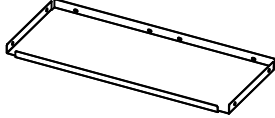
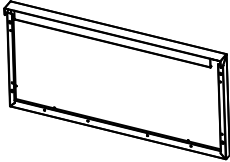





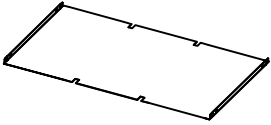


# Assembly Instructions


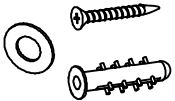

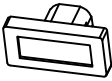

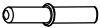


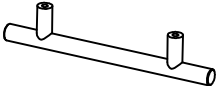






# Accessories

Name		Picture	Qty	Name		Picture	Qty
1	Side panel		2	9	Dome back tube		1
2	Kick plate		2	10	Dome back panel		1
3	Left back panel		1	11	Floor		1
4	Right back panel		1	14	Waist panel		1
5	Top panel		1	15	Waist face		1
<u>6</u>	Shelf		2	20	Left steel door		1
7	Dome front tube		1	21	Right steel door		1
8	Dome panel		1				

# Accessories

Name		Picture	Qty	Name		Picture	Qty
A	13/32 Screw		38	I	Expansion screw		2
B	M5 Nut		3	J	Magnet		4
C	M5*10 Screw		3	K	Door pivot		2
D	Shelf clasp		8	L	Shim		4
E	The doorknob		2	N	M5*10 black screw		8
F	M4*22 screw		4				



**CAUTION**

An assistant is required.

**CUSTOMER FIRST, SERVICE FOREMOST!**

Questions? Issues?

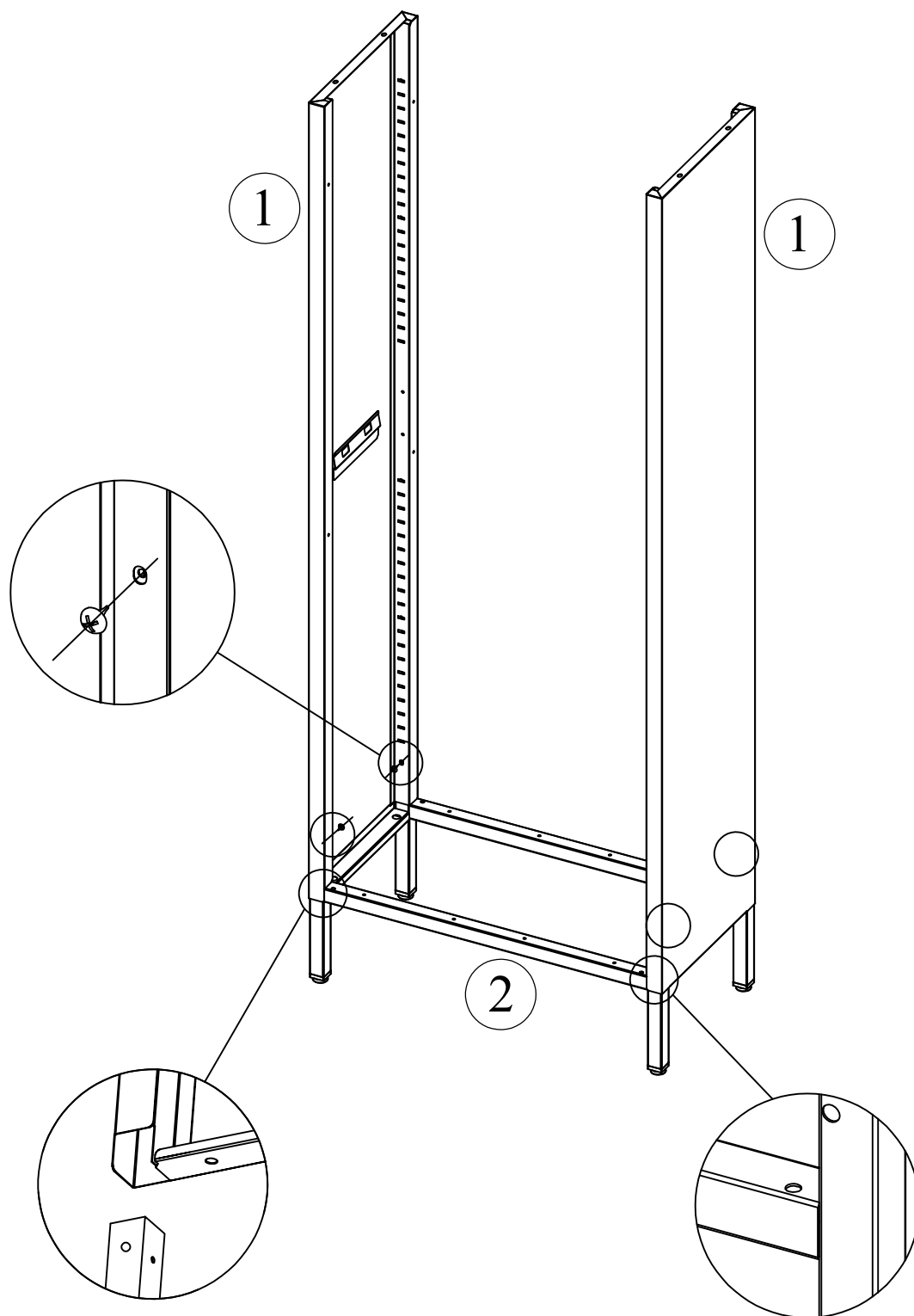
**CONTACT US**

REPLY WITHIN 24 HOURS IN BUSINESS DAYS

# Step 1

Insert side panels 1 into kick plates 2 and fix them with screws A

Ⓐ  × 4

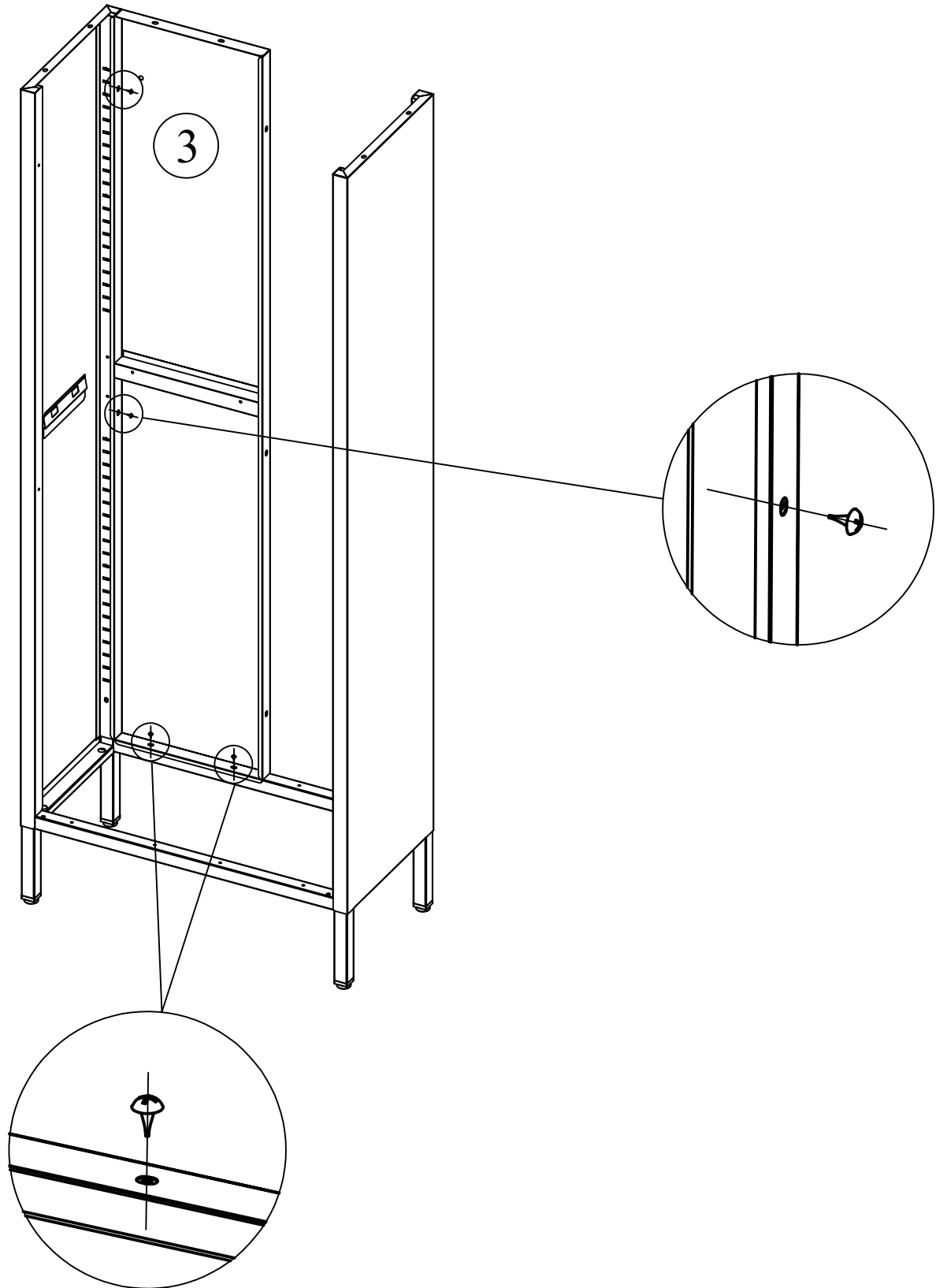


The door shaft hole is in the front

# Step 2

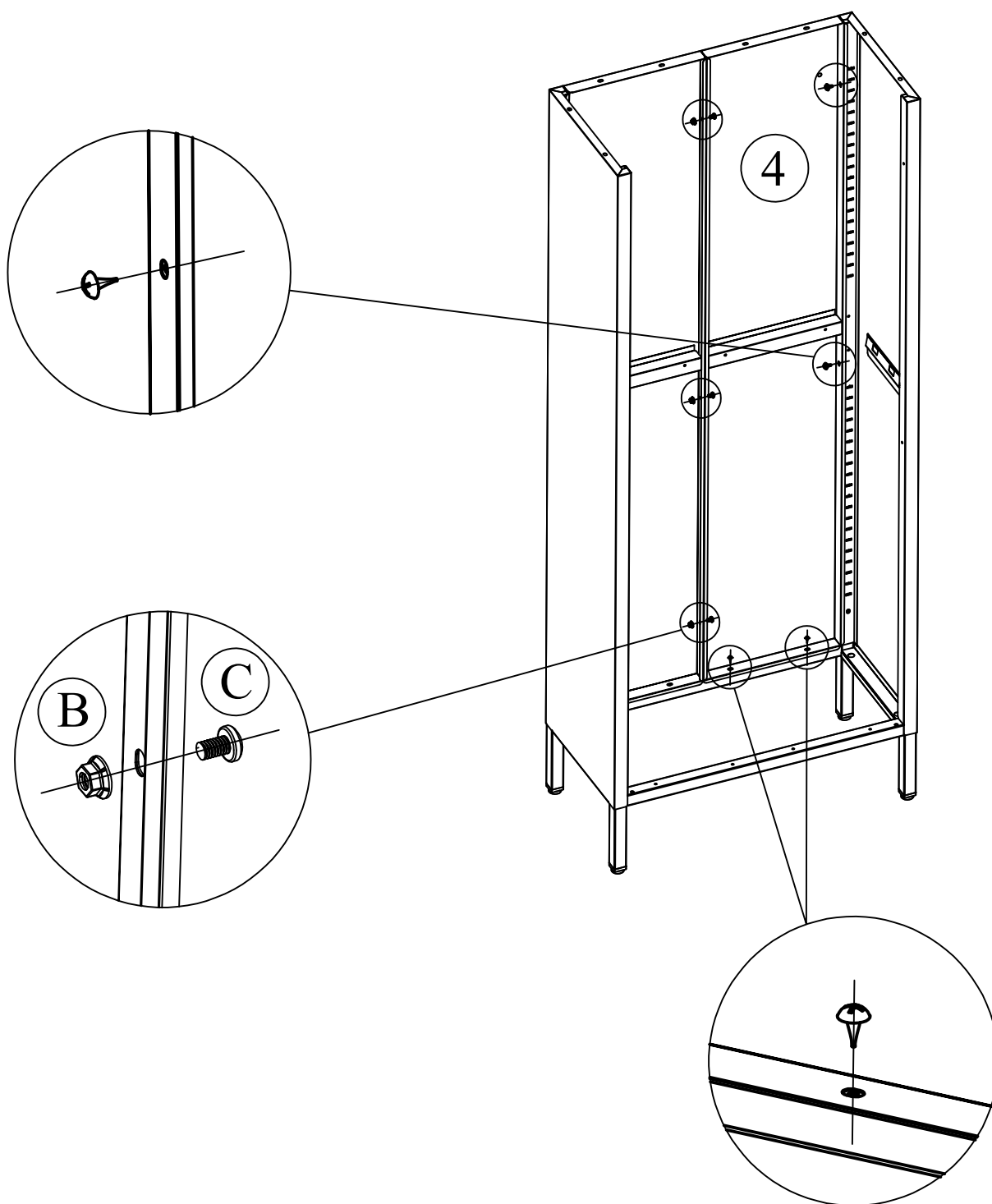
Connect left back panel 3 with side panel 1 and kick plate 2 by screws A

(A)  × 4



# Step 3

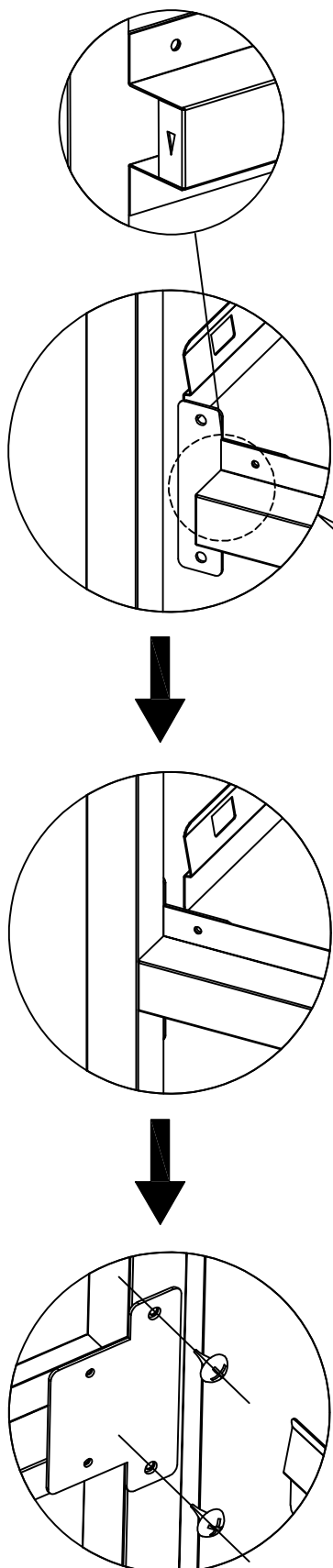
Connect right back panel 4 with side panel 1 and kick plate 2 by screws A, then connect two back panels 3 and 4 with nuts B and screws C



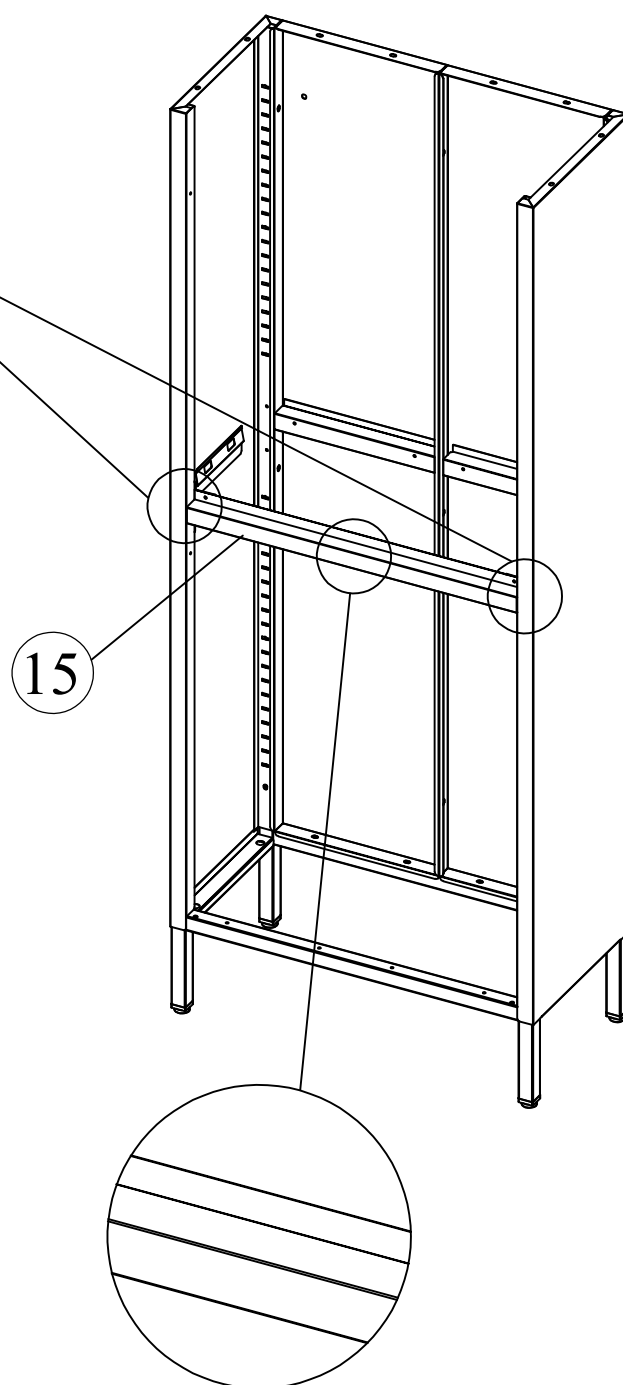
# Step 4

Install the waist face 15 on the side panels with screws A

Ⓐ  × 4

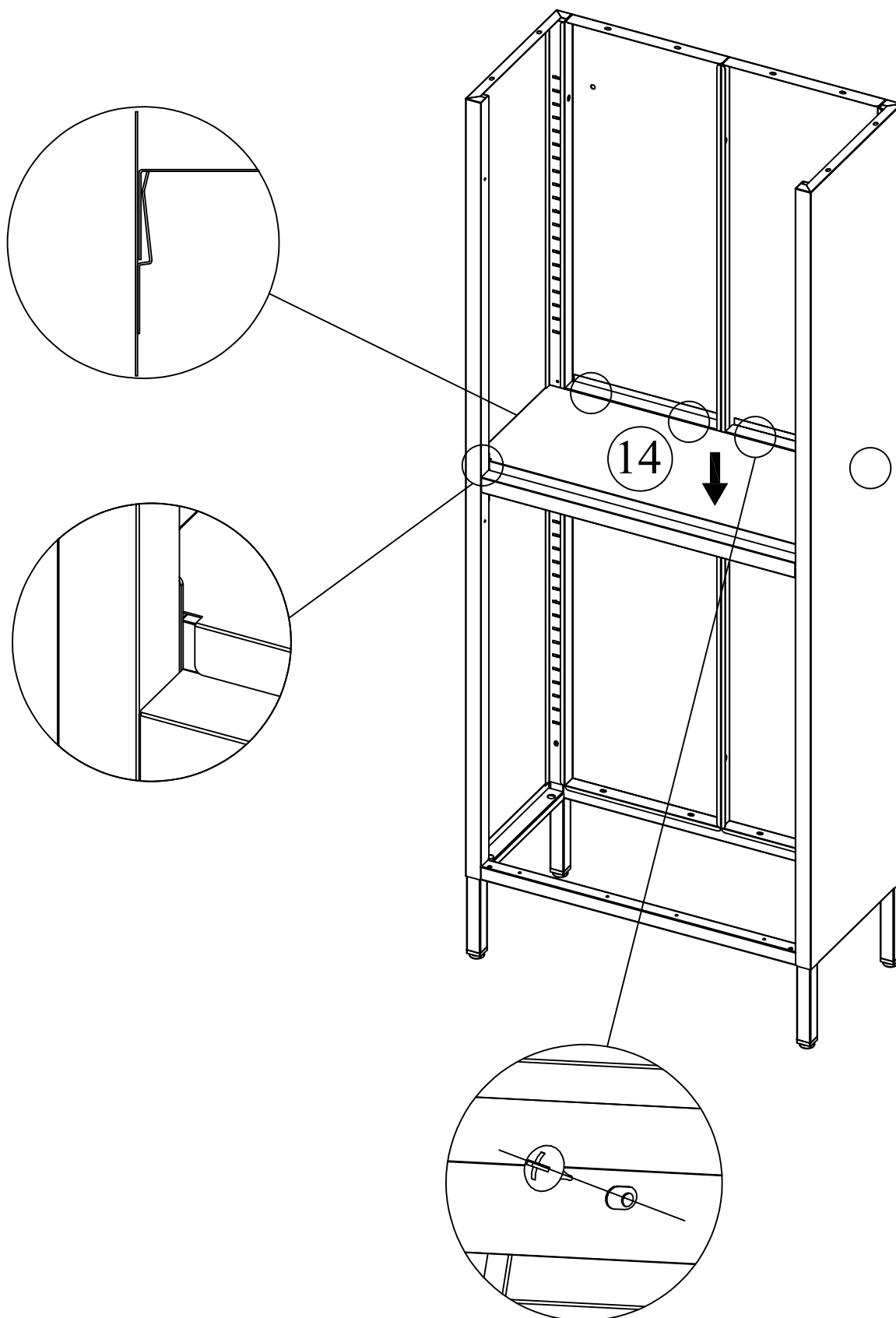


Ensure the left side holes of 15 are aligned with the holes of the left side panel, then fix them with screws A, so is the right side.



# Step 5

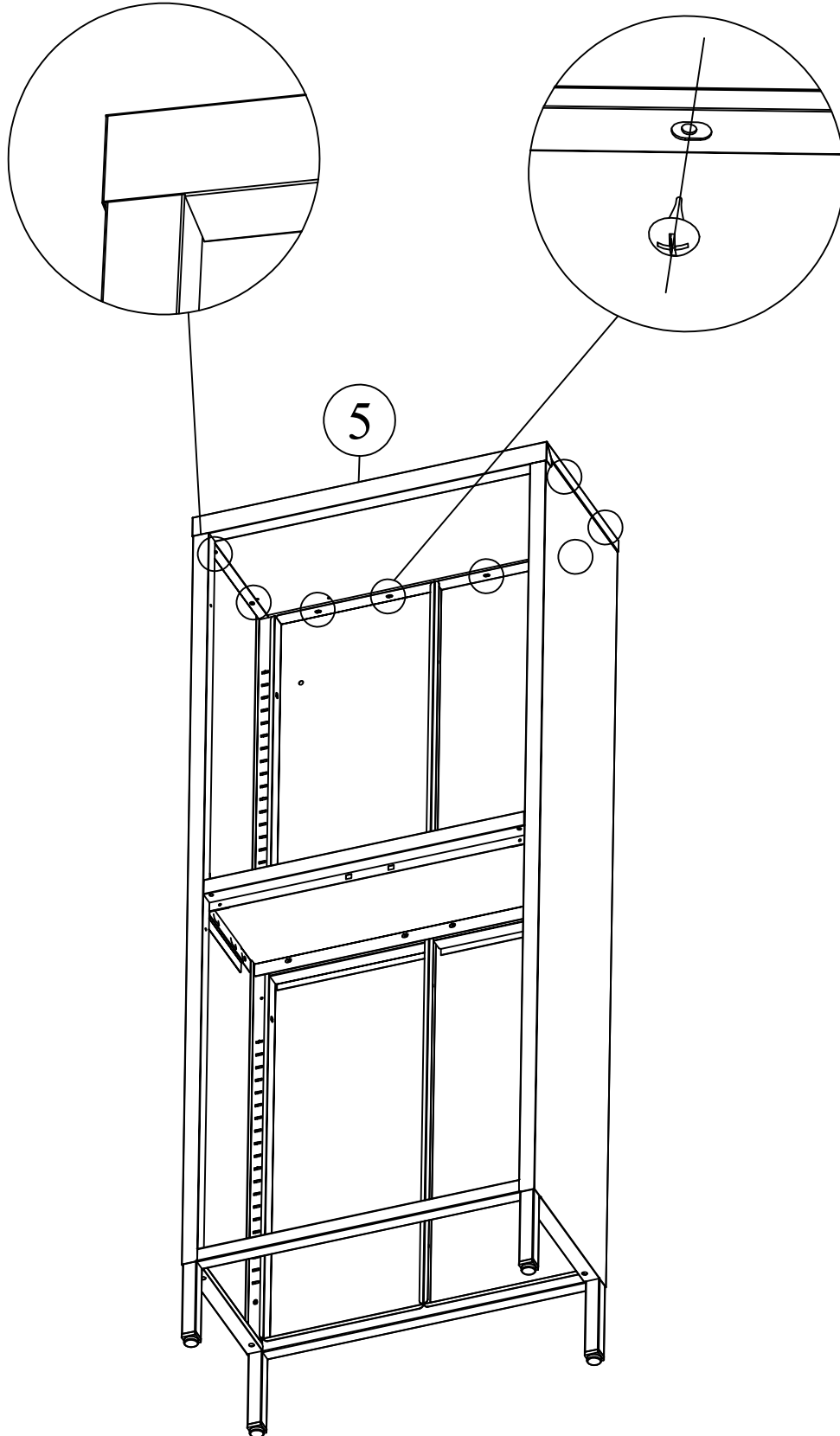
Install waist panel 14 on cabinet with screws A



# Step 6

Connect top panel 5 with back panels and side panels by screws A

Ⓐ  × 8




# Step 7

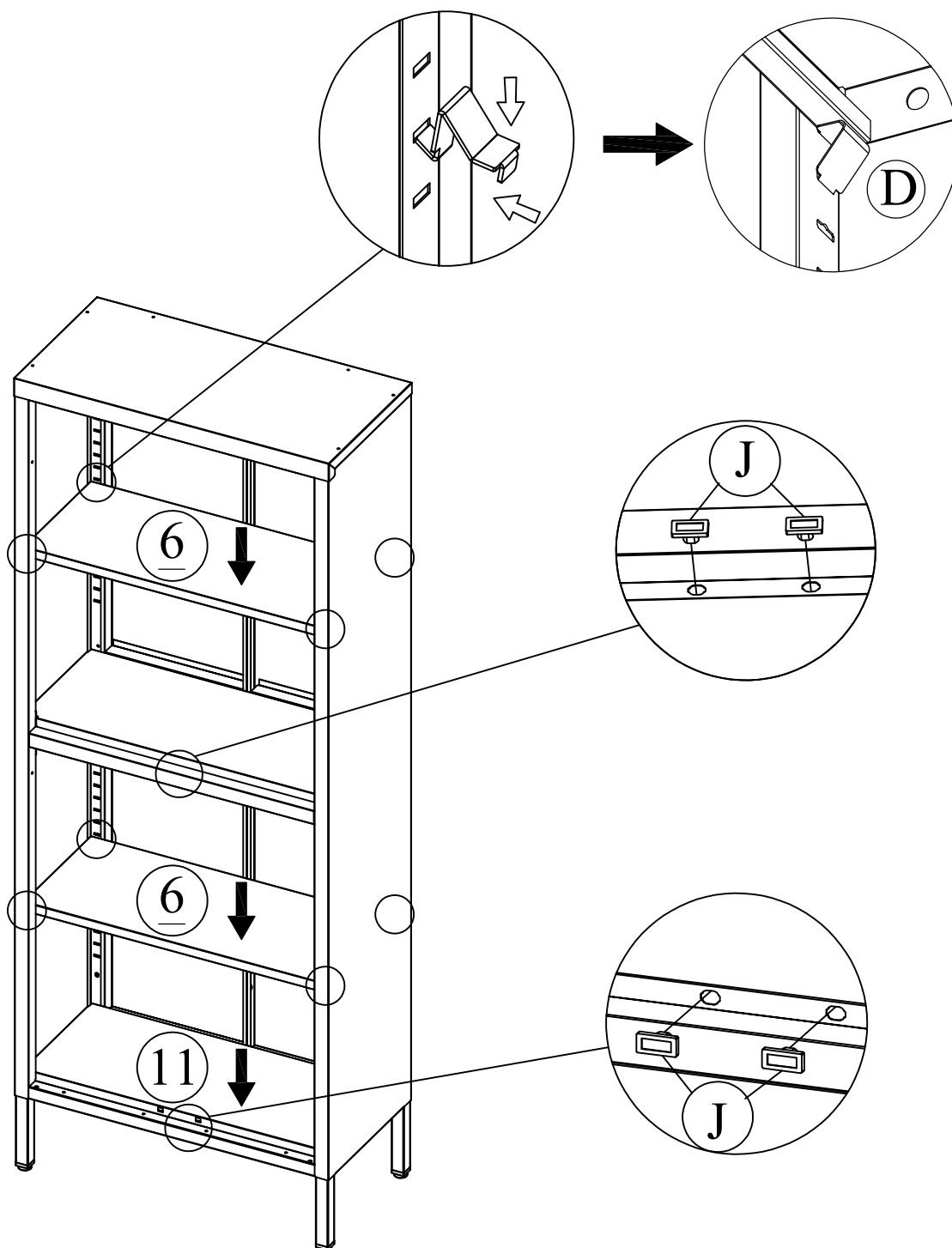
Install the shelf clasps D and put the shelves 6 on them

ⓓ  × 8

Tilt floor 11 into the cabinet and press it down to snugly fit against the kick plate (No screws are needed to fix the floor)

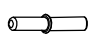


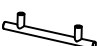
ⓙ  × 4

Install 4 magnets J as shown below

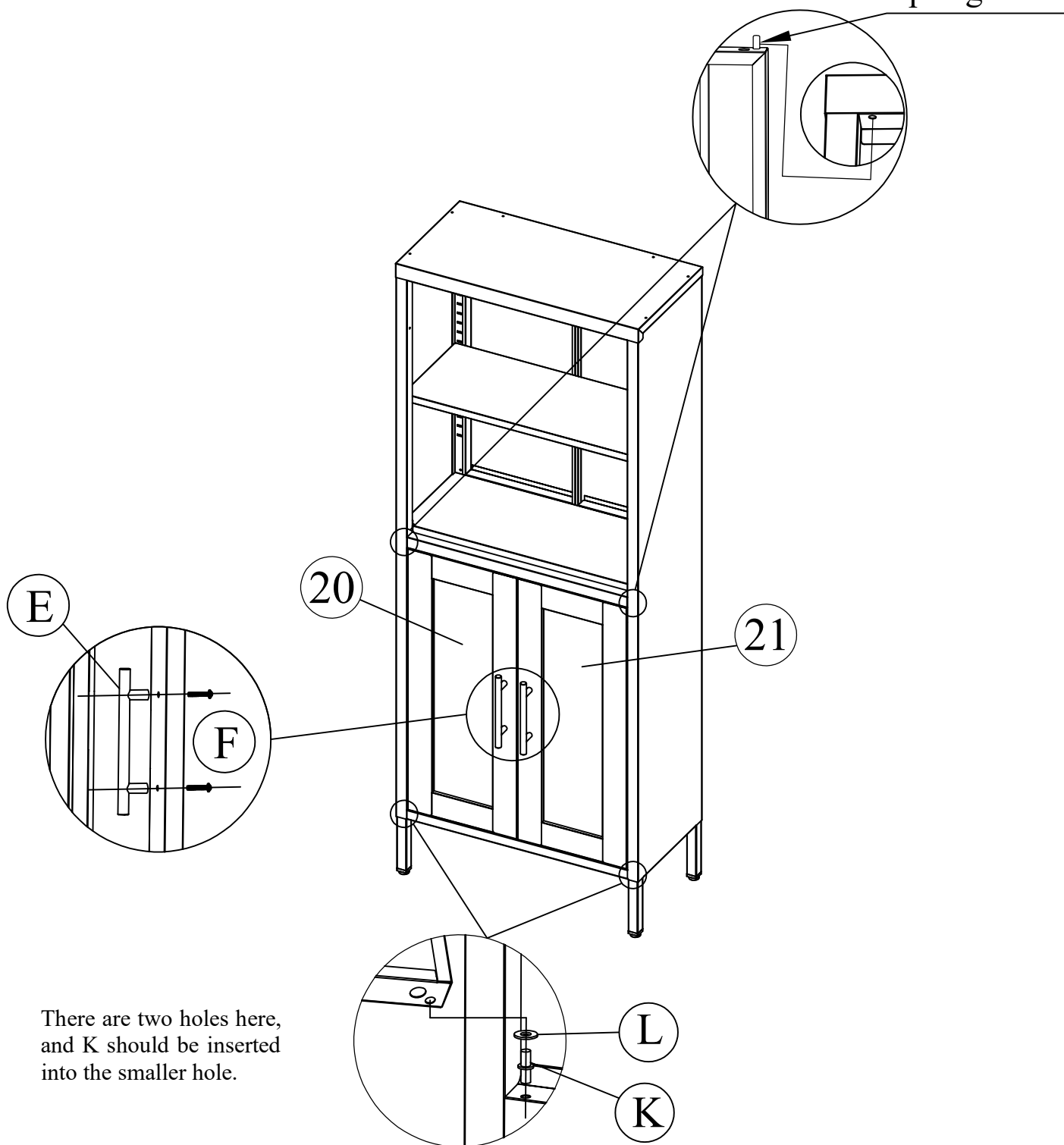


# Step 8

Insert the door pivots K into the holes of the both sides of the bottom corner (0/1/2 shims L can be used to adjust), then insert the doors into the door pivots on the bottom and adjust the spring shafts on the top  
Install 2 doorknobs E on the doors with screws F

- (K)  × 2
- (L)  × 4
- (F)  × 4
- (E)  × 2

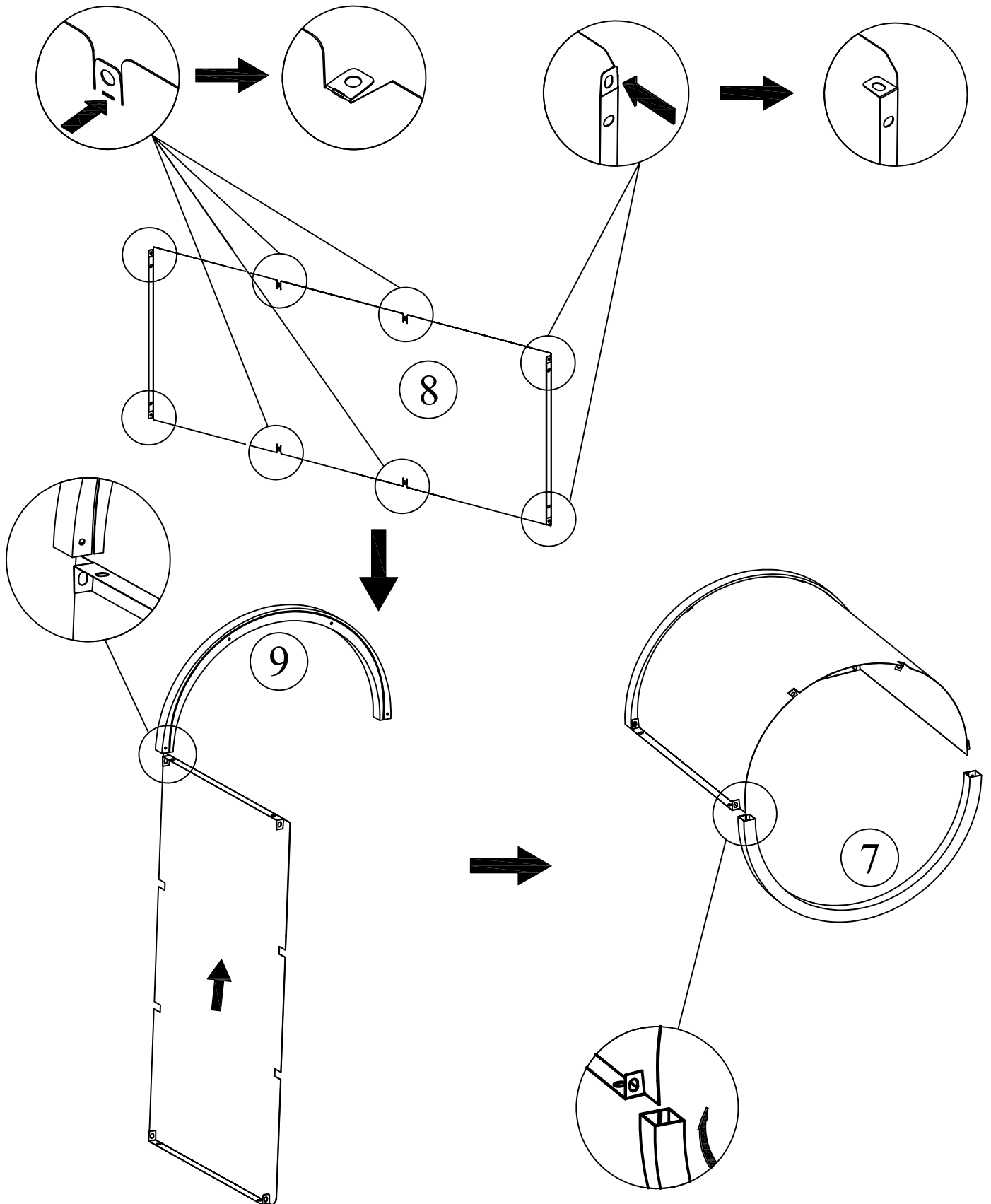
Spring shaft



# Step 9

Fold all the small parts on dome panel 8 towards the middle for 90 degree

Insert dome panel 8 into dome back tube 9 and dome front tube 7



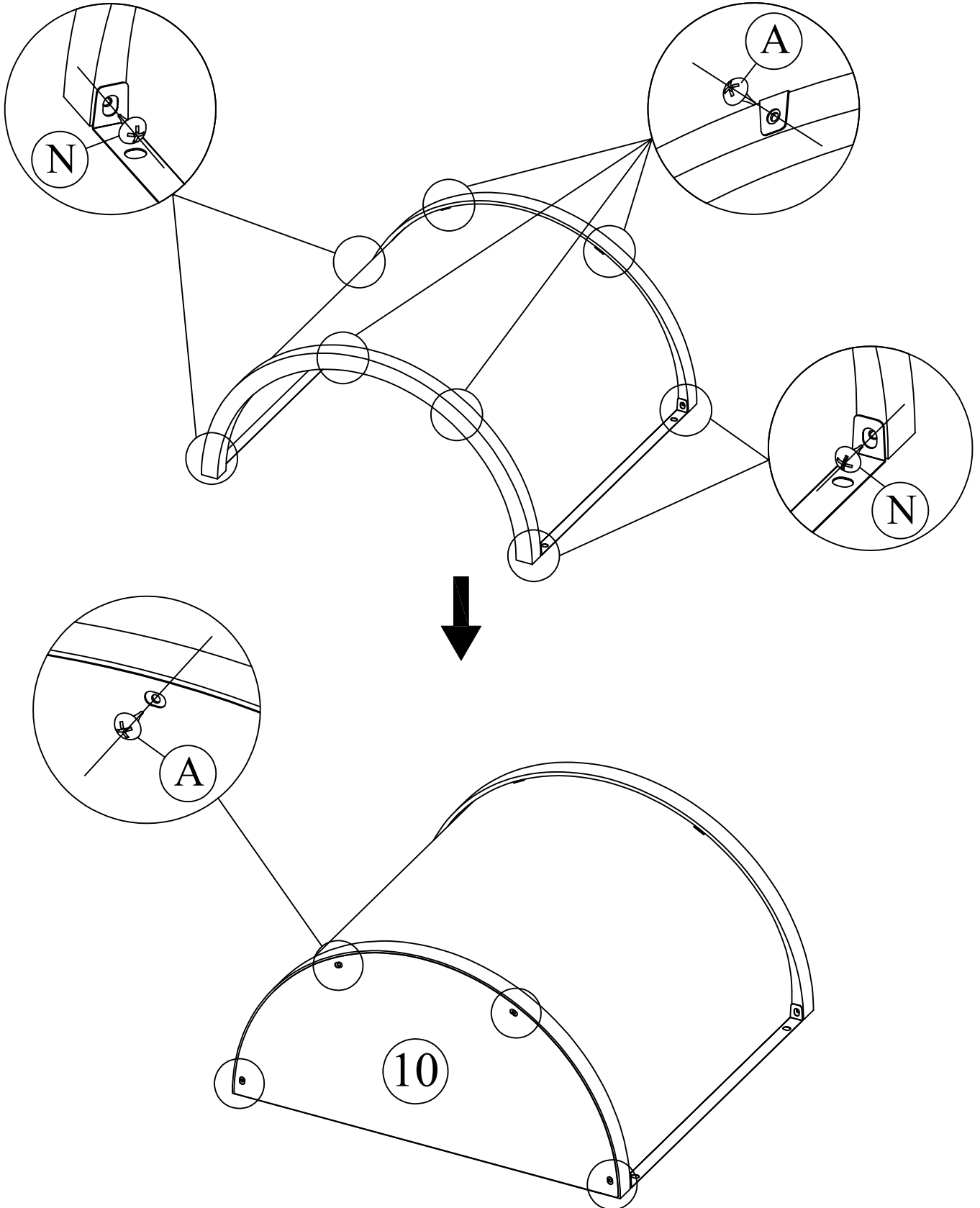
# Step 10

Fix the dome panels and tubes with 4 screws  
A and screws N in the middle and ends

(A)  × 8

Fix the dome back panel 10 with 4 screws A

(N)  × 4

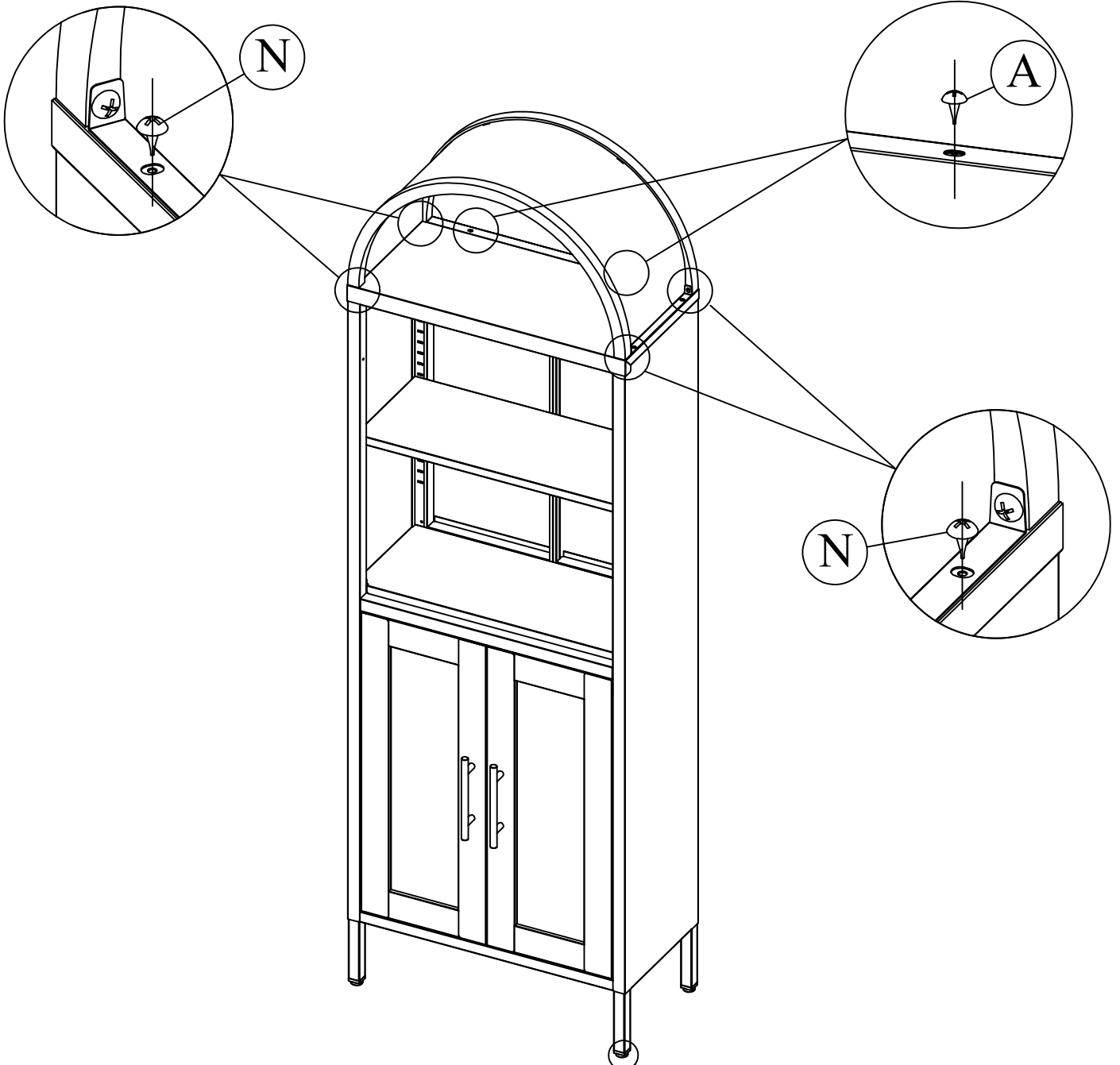


# Step 11

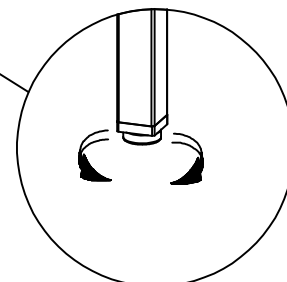
Fix the dome on the top of the cabinet with screws A and N, then adjust the feet of the cabinet as your needs

(A)  × 2

(N)  × 4

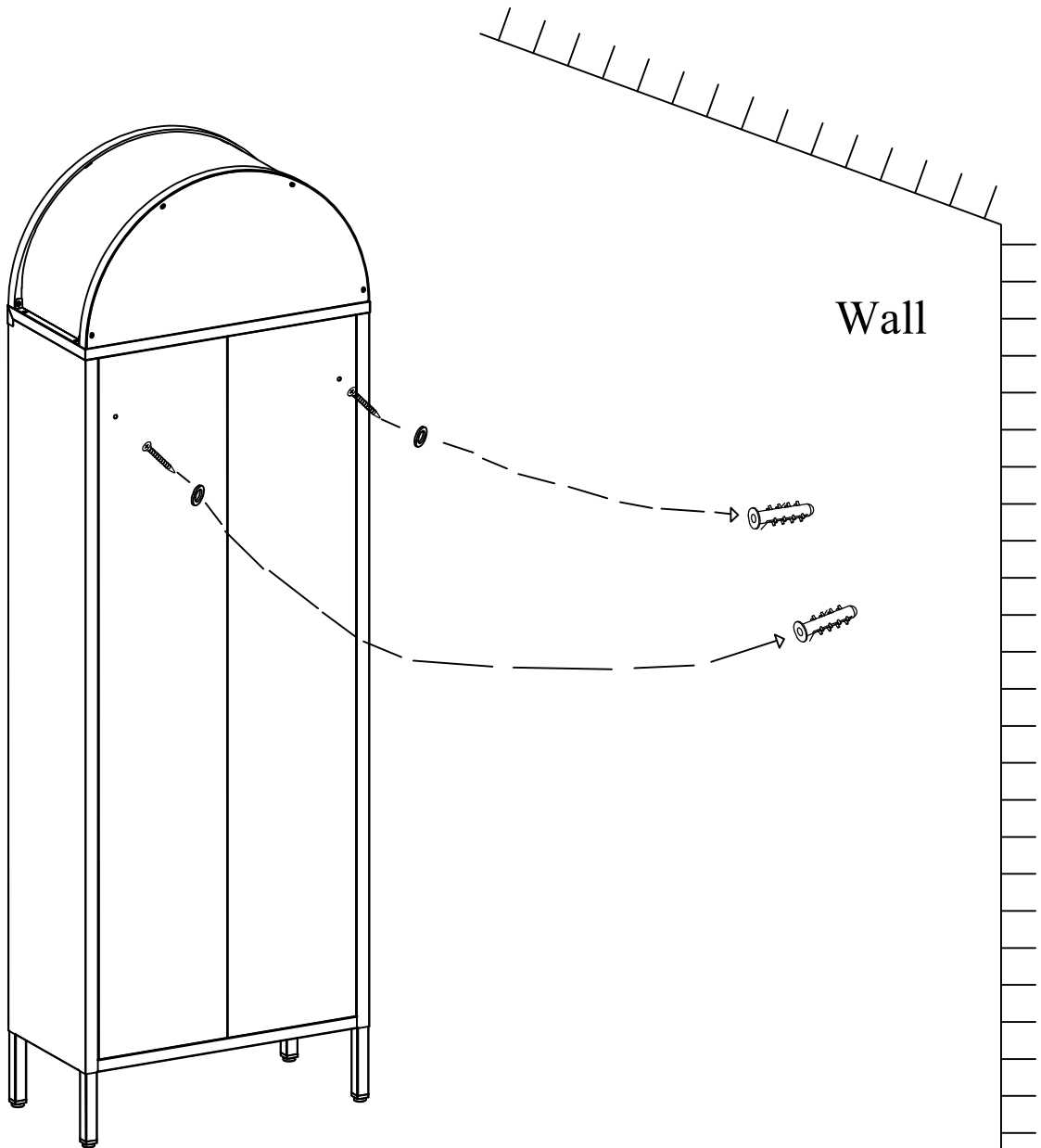
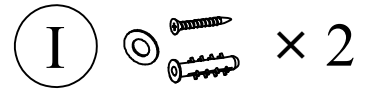


Tips: If the ground is uneven, you can rotate the feet to adjust, which will solve the problem of the door not being easy to open or close.



# Step 12

Fix the cabinet to the wall with screws I to prevent tipping



 **DANGER**



**Always secure this furniture with an anchor device.**

Unsecured furniture can cause serious injury or death to children.

Never allow children to stand, climb or hang on drawers, doors or shelves.

Never open more than one drawer or door at a time.

Place the heavy items on the lower position.

Never place a television on this furniture.

**This is a permanent label. Do not remove!**