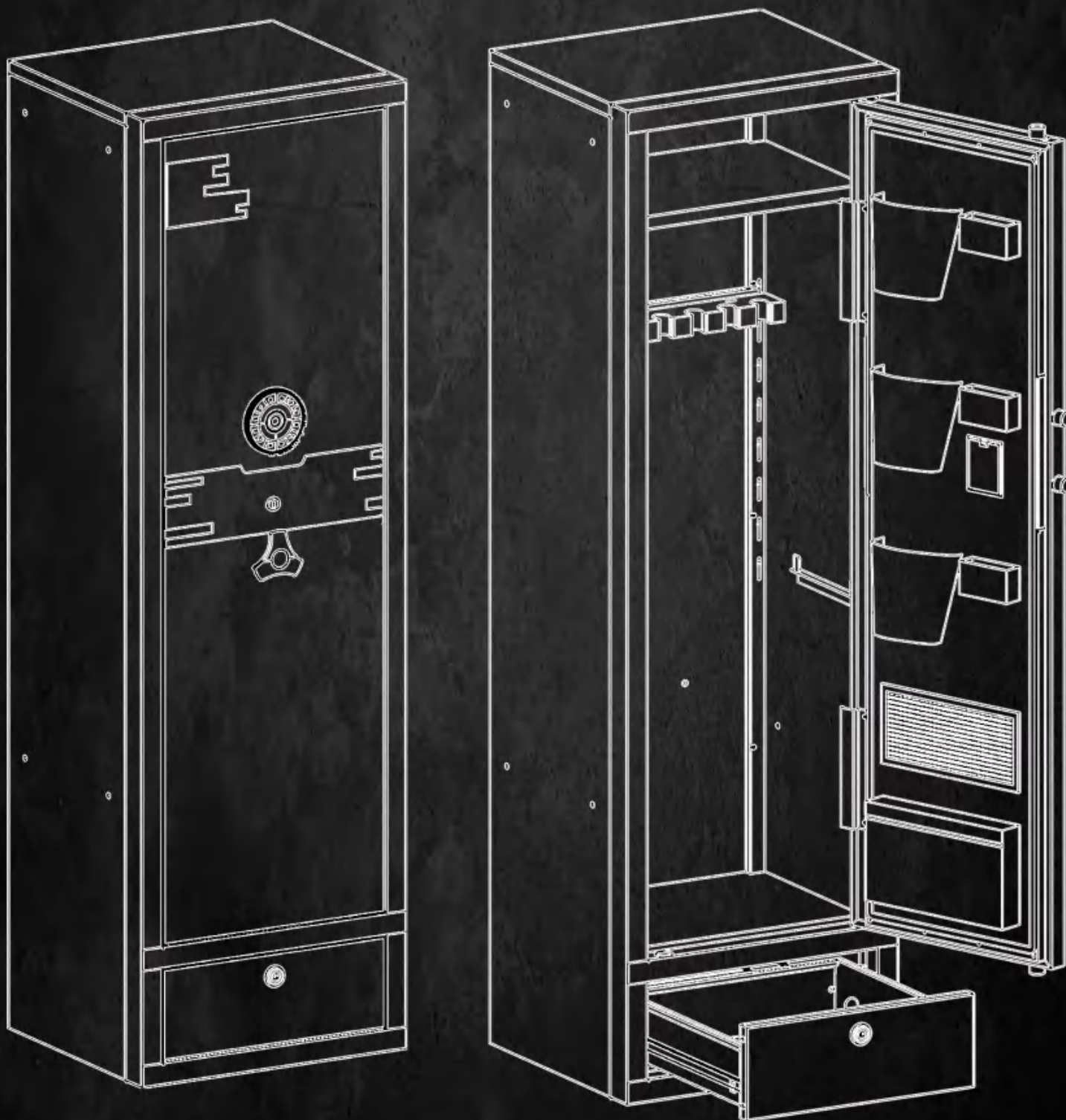


ELECTRONIC GUN SECURITY CABINET

INSTRUCTION MANUAL

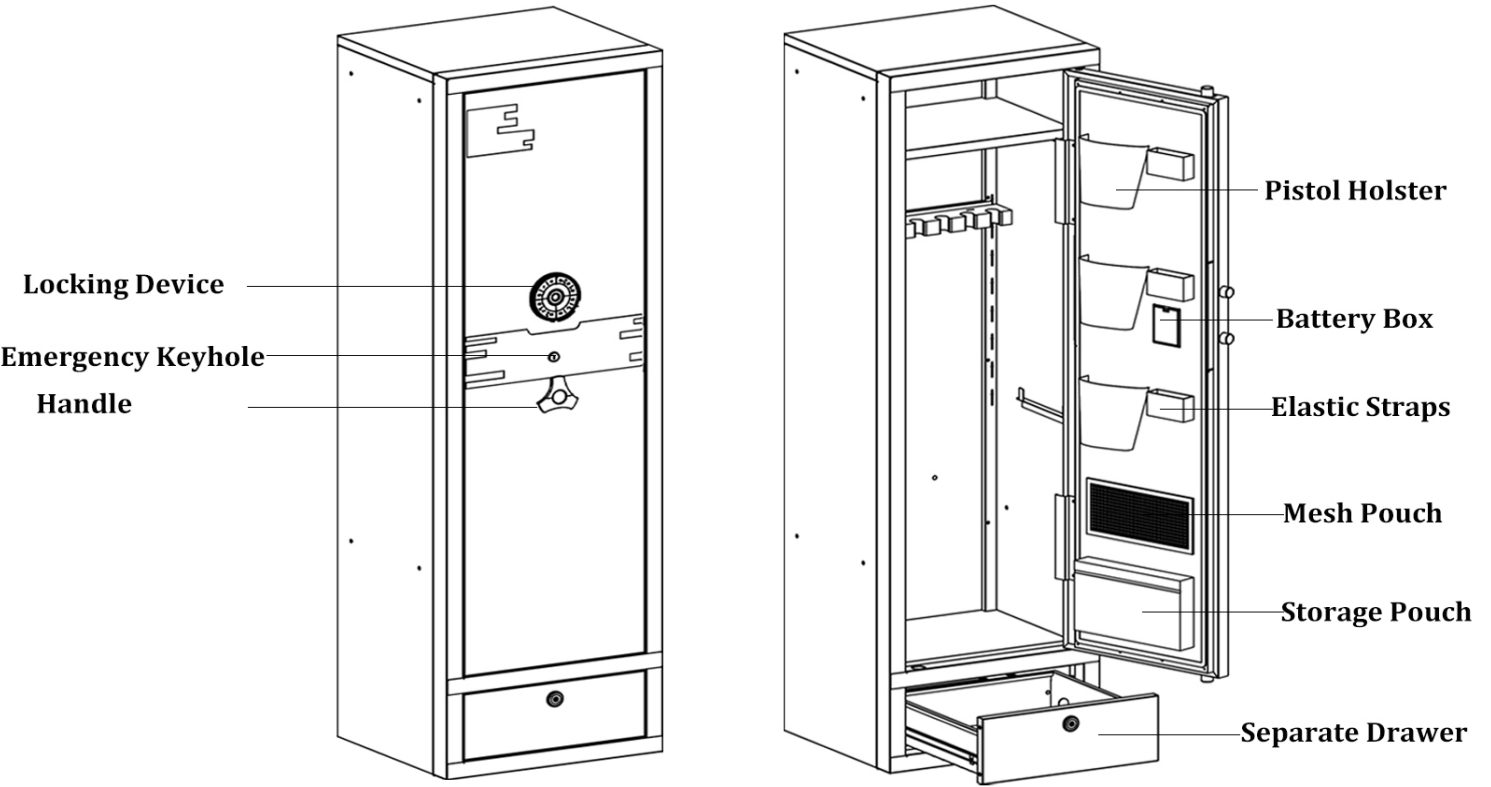


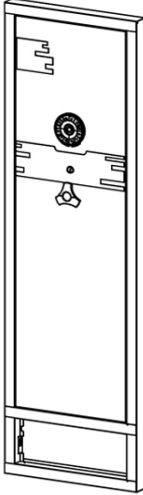
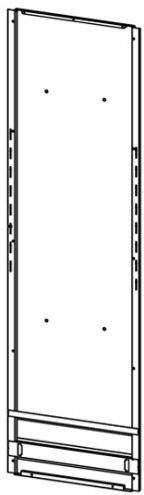

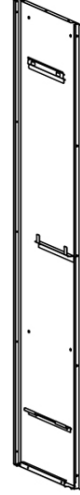


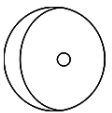




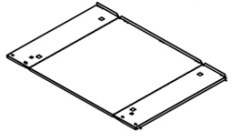



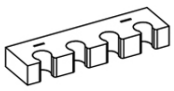






Keep children or unauthorized persons away from your guns

COMPONENT DESCRIPTION

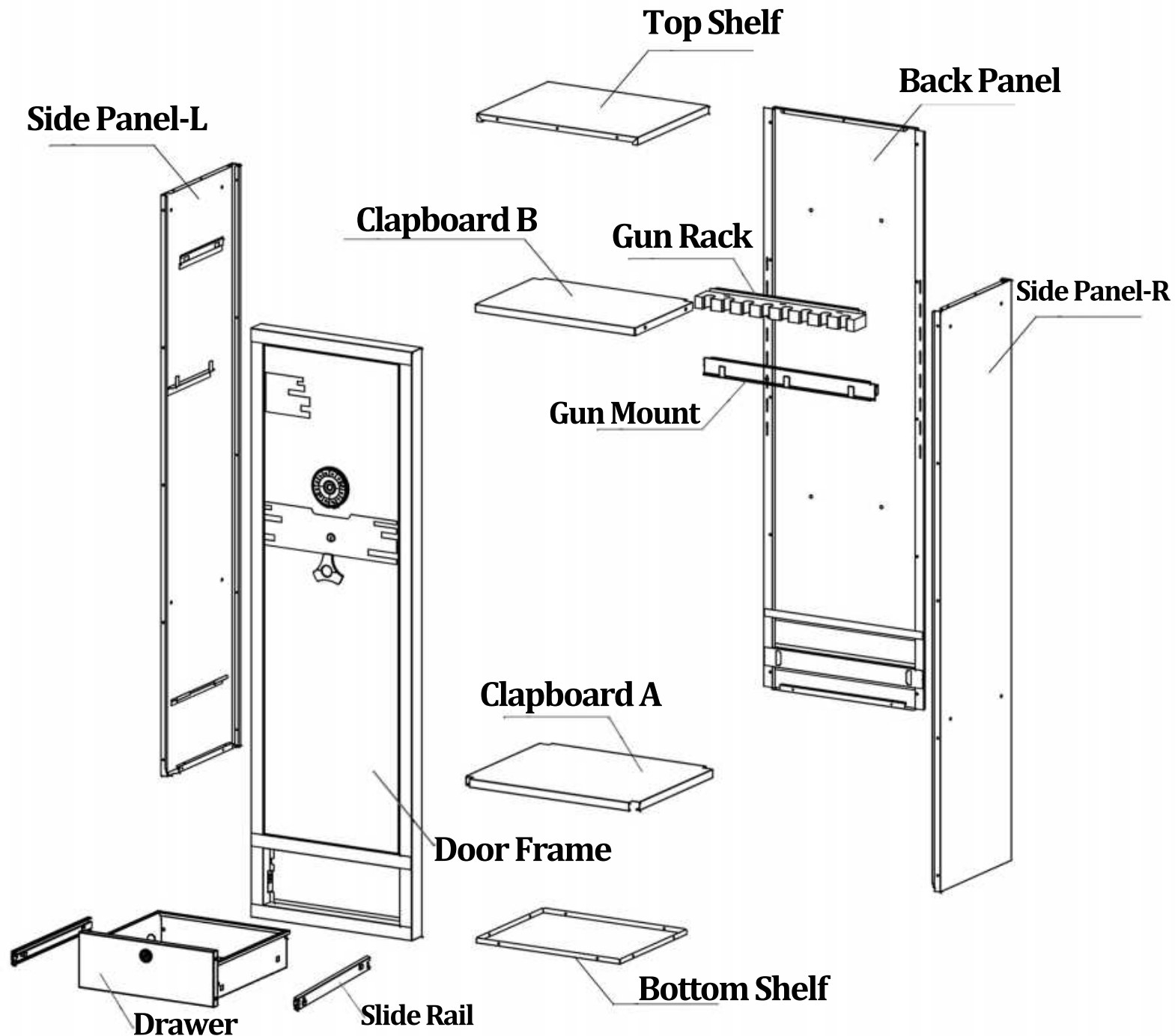
Hi friend,

Thank you for your purchase, please take a few minutes to read the instruction manual for better use of the product.



Door Fram*1PC 	Back Panel*1PC 	Side Panel-L*1PC 	Side Panel-R*1PC 	Top Shelf*1PC 
				Bottom Shelf*1PC 
				Magnetic LED Light 
Clapboard A*1PC 	Clapboard B*1PC 	Drawer Door 	Drawer Back Panel 	Drawer Panel 
Gun Mount*1PC 	Gun Rack*1PC 	Slide Rail*1 Pair 	Gun Rack*2PC 	Self Tapping Thread  39PCS
Screwdriver*1PC 	Gloves 1 Pair 	Expansion Bolt 	Key 	Instructions 

STRUCTURAL SCHEMATIC



- Check the materials to make sure they are working correctly and are not damaged.
- Refer to the illustrations to identify the parts and accessories of the gun cabinet.
- If any parts are missing or goods are damaged, please contact us, and we will provide you with a satisfactory solution.



WARNING

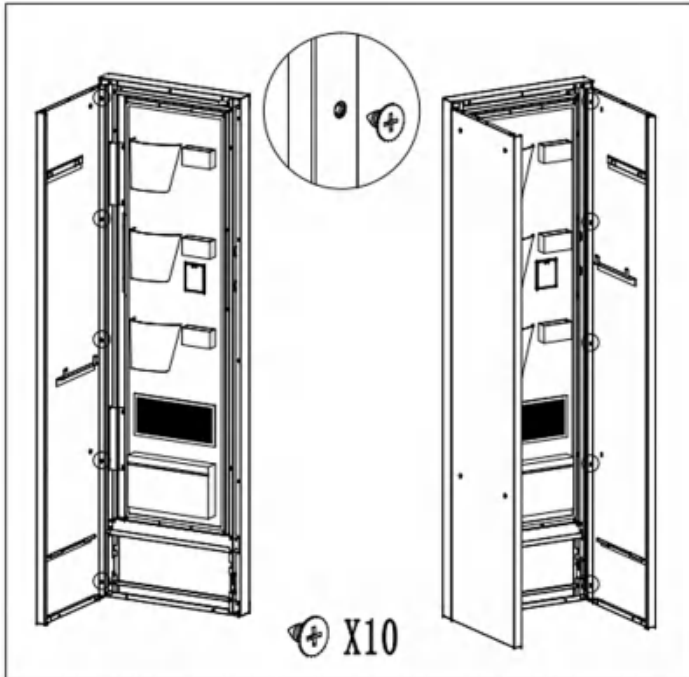


Tip Over Hazard

- Please secure the gun safe to a wall or floor before use to prevent children or adults from tipping the safe over and causing death or serious injury.
- Children should not play around the safe at any time.

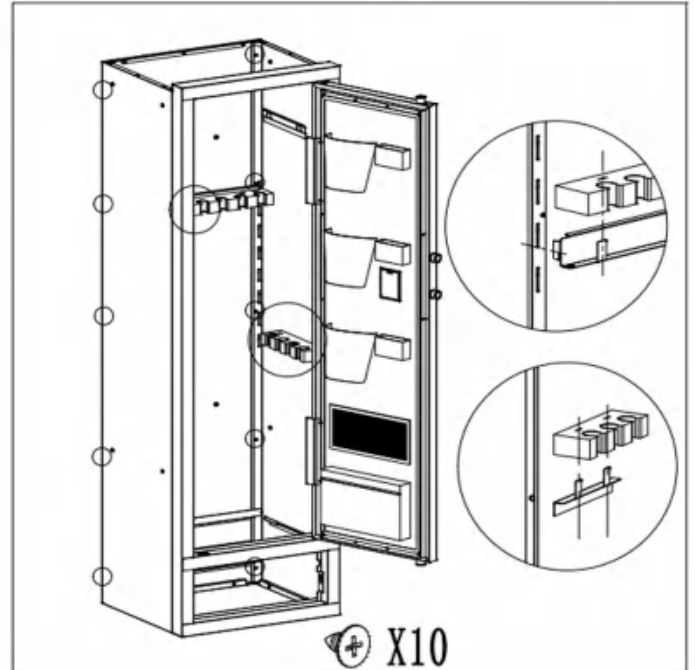
INSTALLATION INSTRUCTIONS

Step 1:



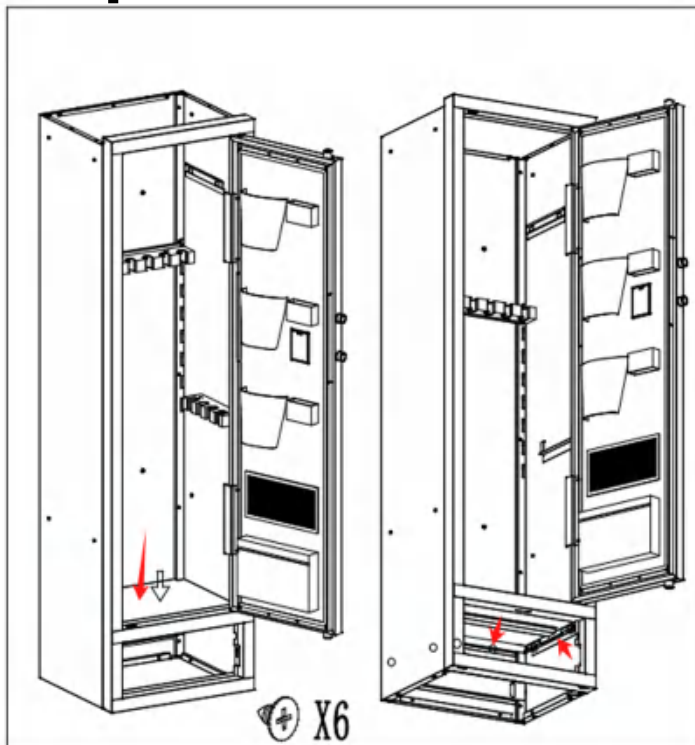
Connect the left and right side panels and door frame with self-tapping screws.

Step 2:



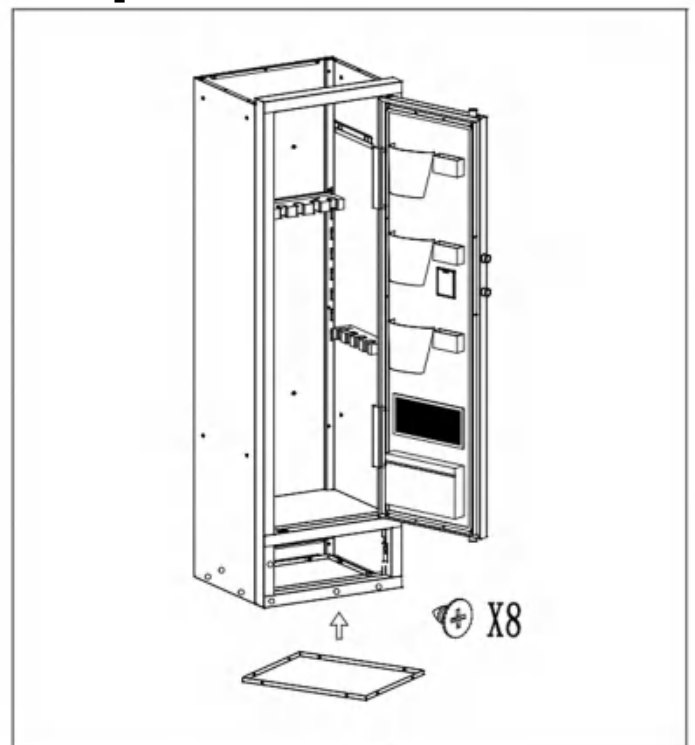
Connect the left and right side panels and back frame with self-tapping screws (open the door panel), and install an adjustable gun mount.

Step 3:



Install the Clapboard A so that the Clapboard A is placed into the bracket and connected with self-tapping screws (red arrow)

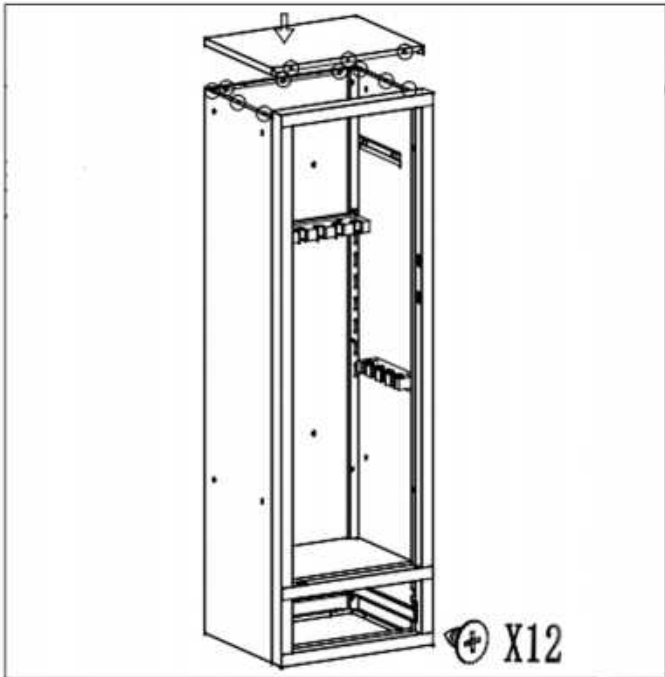
Step 4:



Install the bottom shelf and connect it with self-tapping screws (the mounting holes are on the inside, and the cabinet can be tilted down for easier installation).

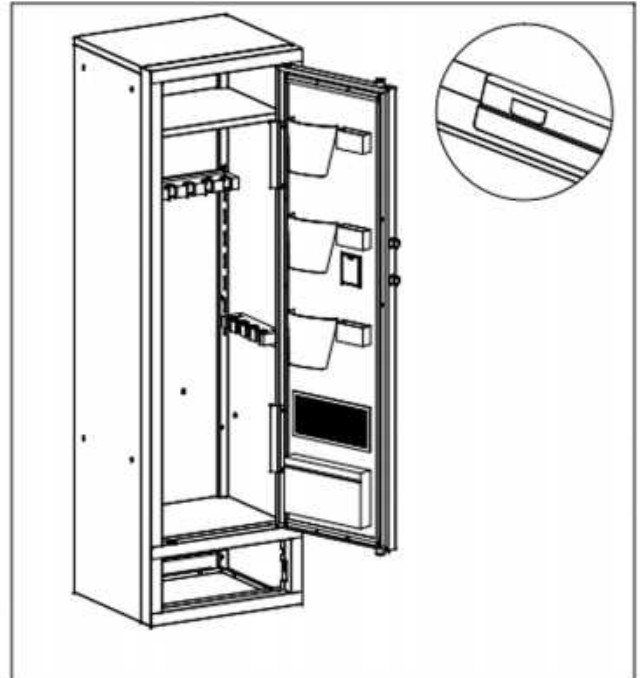
INSTALLATION INSTRUCTIONS

Step 5:



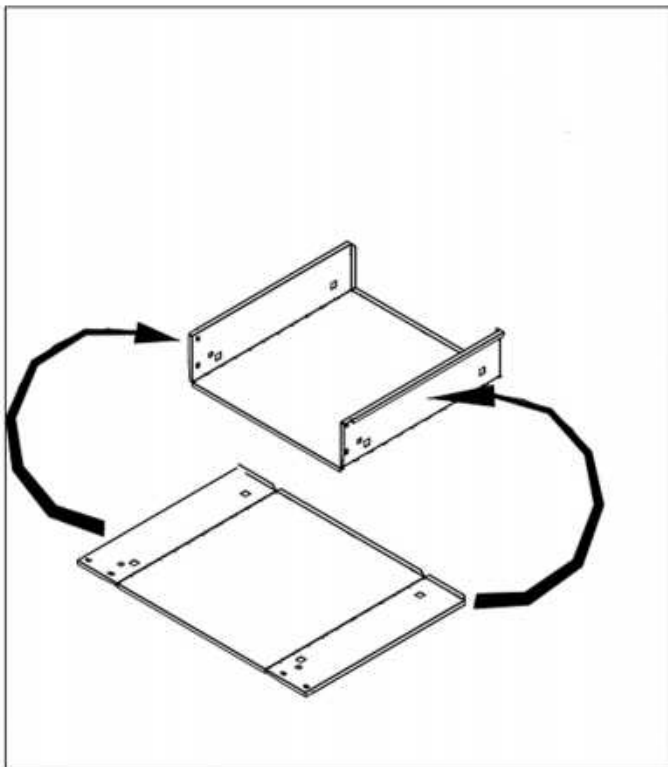
Install the top shelf and connect it to the front, rear, left and right frames with self-tapping screws

Step 6:



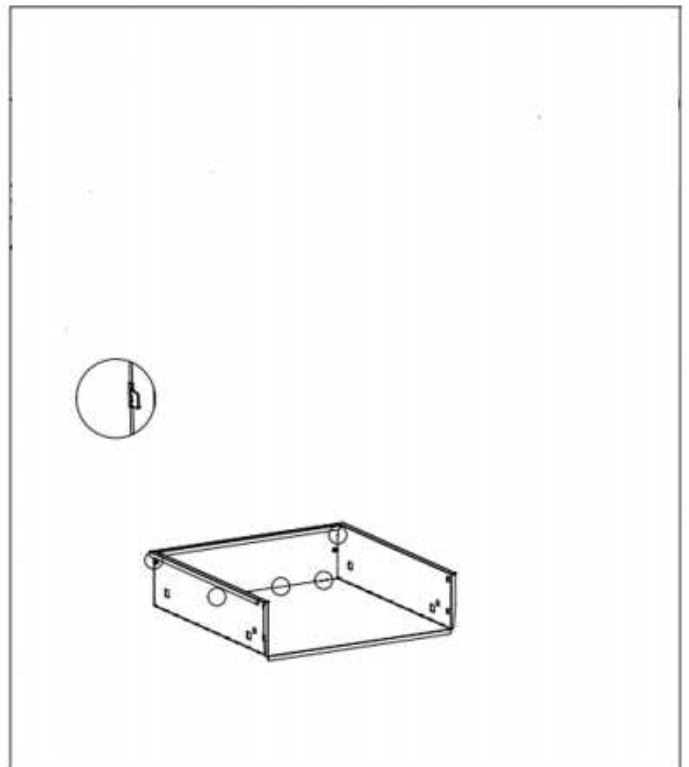
Install the Clapboard B so that it embeds into the buckle and secures it

Step 7:



Bend drawer panel

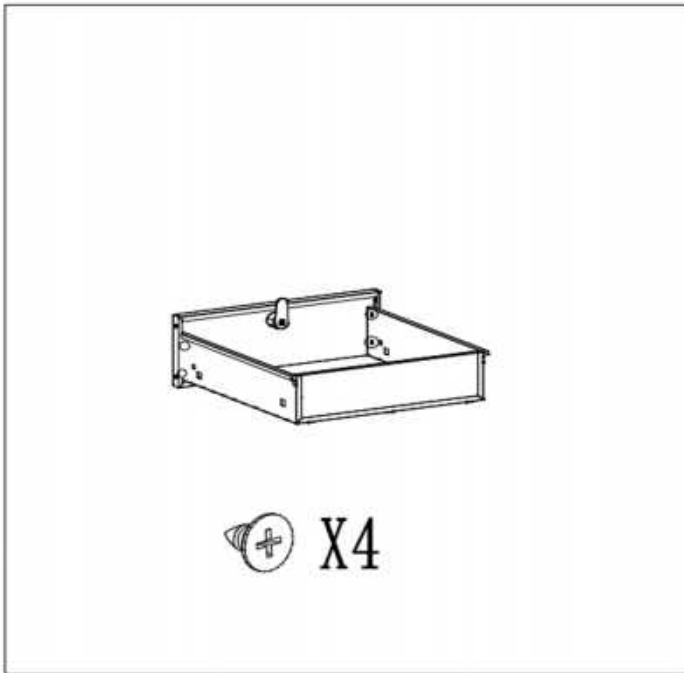
Step 8:



Link bent drawer panel with drawer back panel and snap in the corresponding

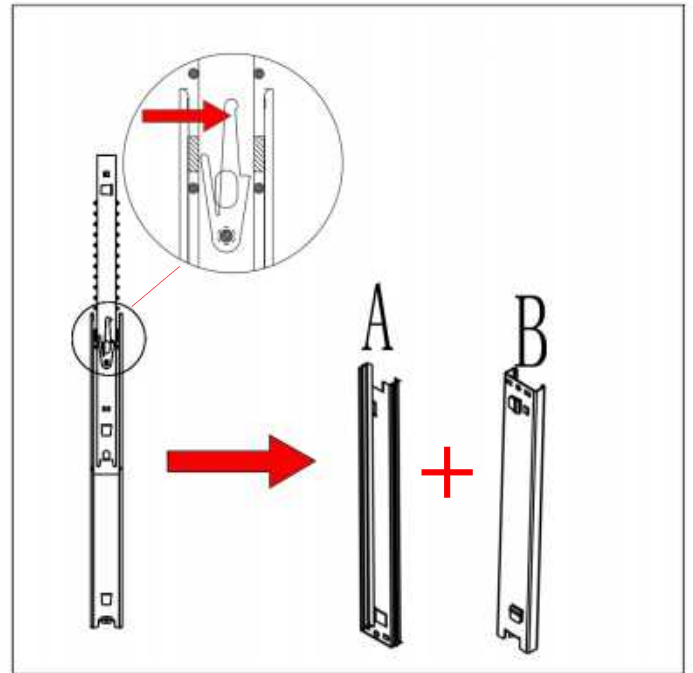
INSTALLATION INSTRUCTIONS

Step 9:



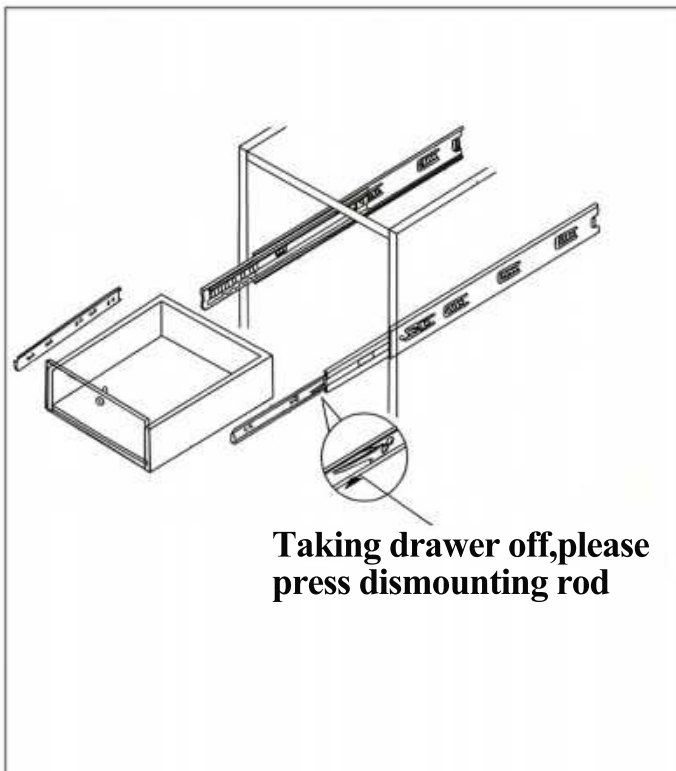
Connect the assembled part in step 8 to the drawer door and fix it with self-tapping screws

Step 10:



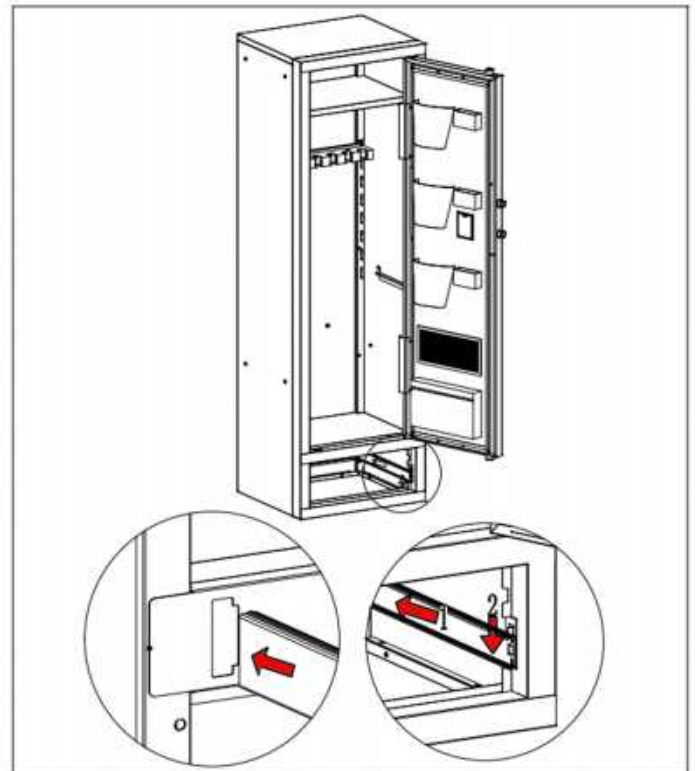
Turn the shrapnel shown in the picture to divide the slide rail into two parts, A and B.

Step 11:



Snap slide rail A into the left and right drawer panel and lift up

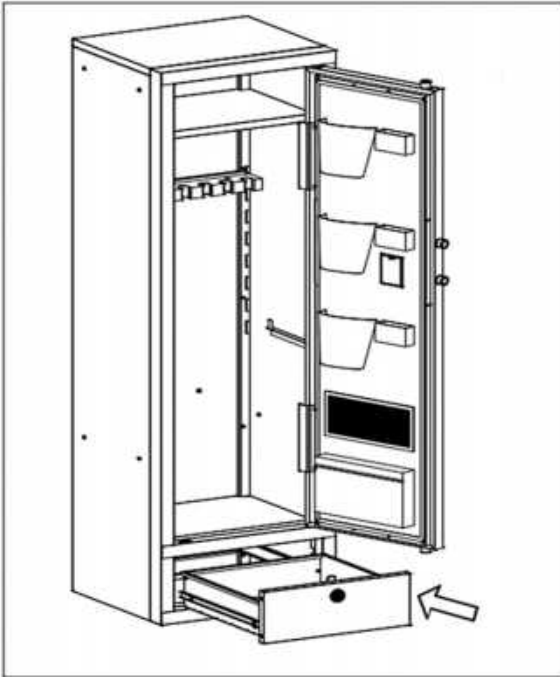
Step 12:



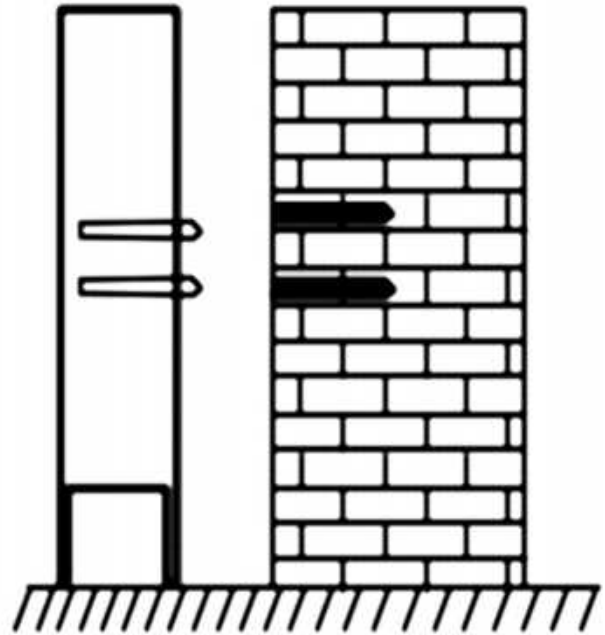
Insert slide rail B into the buckle, first into the rear hole and press down

INSTALLATION INSTRUCTIONS

Step 13:



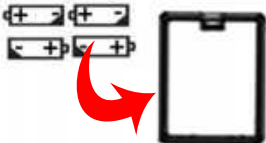



Match the notches of the inner and outer slide rails, push into the drawer, and the installation is complete



Expansion screws can be threaded through pre-drilled holes in the safe to secure it anywhere.

THE FIRST TIME OPENING

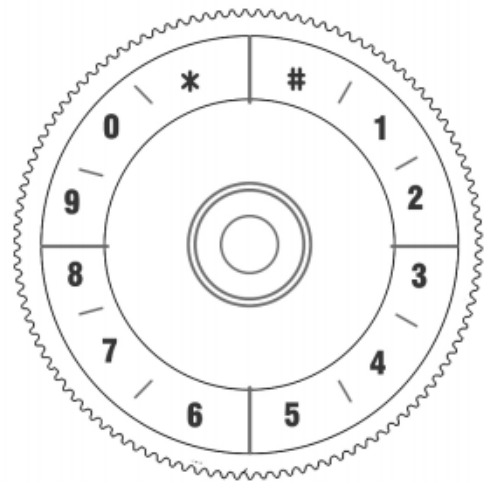
1.Insert the key		2.Turn the handle	
3.Insert 4 AA alkaline batteries (not included)		Please do not use rechargeable or different brands of batteries	

PERSONAL PASSWORD SETTING

Original factory password: 123456

This gun safe can be set with two sets of passwords

SET UP THE FIRST PASSWORD



1. In the open state, press the green setting button inside of the gun cabinet, the buzzer will sound once and the keyboard light on.

2. Enter any new 3-12 digits code, press the "#" button to confirm. The buzzer will sound once and the blue indicator light will be off. Password is set successfully.

Note: After setting your password, please test the new password to ensure it is valid.

SET UP THE SECOND PASSWORD

1. In the open state, press '00', the keyboard light on. Then press the green setting button inside the door.

2. Enter another new code within 3-12 digits, and then press "#" key to confirm. The buzzer sound and the blue indicator light will be off, the second code is set successfully.

HOW TO OPEN THE GUN SAFE

1. Touch any code on the keyboard to wake up the keyboard, and enter the password you set.

2. Press the "#" key to confirm, the blue indicator light is on, and the buzzer beeps twice, indicating that the password is entered correctly.

3. Turn the handle clockwise.

NOTE: Input wrong password, The keyboard will sound beep for 4 times, and the alarm sound can only be eliminated after entering the correct password.

SYSTEM INITIALIZATION

Press the green setting button for 5 seconds, the system will restore the initialized settings and clear all passwords.

LOW BATTERY ALERT

1. The gun cabinet uses four 1.5V alkaline batteries, if the voltage is insufficient to open the door after the continuous reminder of "beep" twice, the power indicator light flashes for about 30 seconds before shutting down, reminding you of the low battery. You need to replace the batteries promptly.
2. If the battery voltage is insufficient, you can use the emergency power supply or mechanical emergency key to open the safe.

*** This electronic lock has the function of no power protection code never disappear.**

MUTE MODE

1. Tap to activate the touch screen, enter "11#"
2. The buzzer "beep--" a long sound, indicate the mute and non-mute mode set successfully.

TECHNICAL PARAMETERS

1. Working power supply : 4 No. 5 "AA" alkaline batteries
2. Working voltage range : 4.2V-7V
3. Working undervoltage point : 4.6V±0.20V
4. Operating current : ≤380mA
5. Static current : 35uA

