

## ASSEMBLY INSTRUCTIONS

**NOTE: THIS ITEM NOT RECOMMENDED FOR COMMERCIAL USE  
KEEP THIS DOCUMENT FOR REFERENCE IN CASE PARTS ARE NEEDED  
DO NOT TIGHTEN SCREWS UNTIL COMPLETELY ASSEMBLED! !**

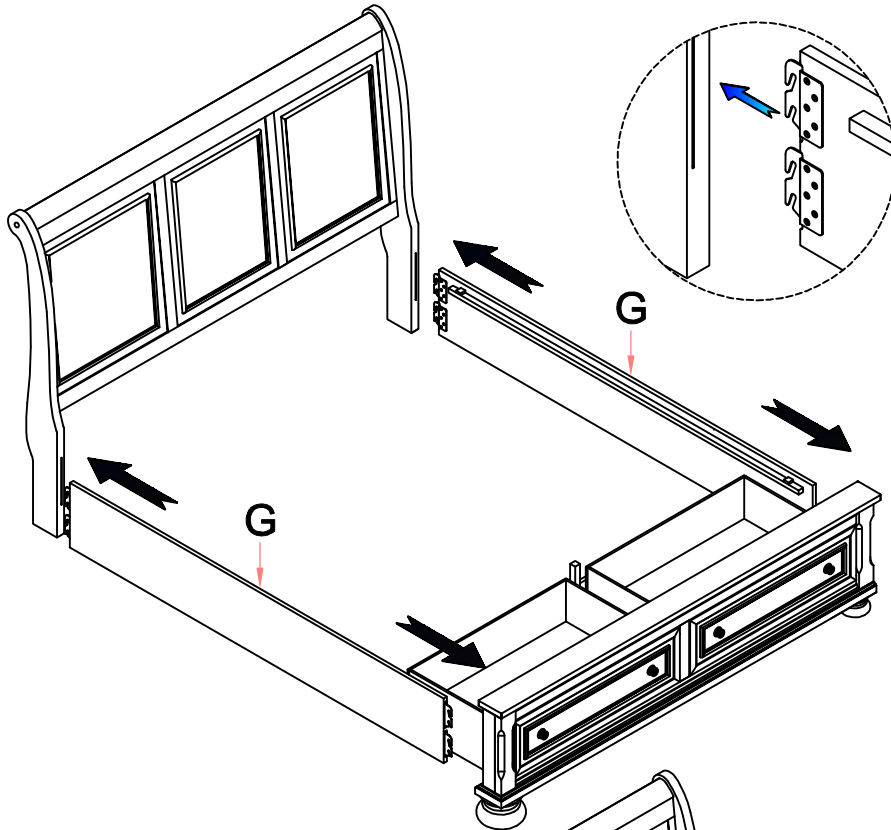
No	DESCRIPTION		Q'TY
A	HEADBOARD SIZE	77-1/4" X 4" X 34-1/4"	1PC
B	HEADBOARD LEG SIZE (L&R)	56" X 1-1/2" X 11"	2PCS
C	FOOTBOARD SIZE	80-3/4" X 19" X 21-5/8"	1PC
D	FOOTBOARD LEG SIZE	4-3/8" X 4-3/8" X 3-1/2"	2PCS
E	SUPPORT LEG	8-1/4" X 1-1/4" X 1-1/4"	1PC
F	SUPPORT LEG	6-1/2" X 1-1/4" X 1-1/4"	2PCS
G	SIDERAIL SIZE	78" X 3/4" X 11-7/8"	2PCS
H	SUPPORT RAIL SIZE	72-3/8" X 1-1/2" X 1-1/4"	1PC
I	SUPPORT LEG	15-1/2" X 1-1/4" X 1-1/4"	3PCS
J	SLAT SIZE	77" X 1-3/4" X 3/4"	13PCS
K	WOOD CAP	5/8" X 3/8"	2PCS
L	BOLT	Ø5/16" x 2"	8PCS
M	LOCK WASHER	Ø5/16" X 10D X 1.1mm	6PCS
N	FLAT WASHER	Ø5/16" X 22D X 2mm	6PCS
O	WRENCH	2-1/4" X 4mm	1PC
P	BOLT	Ø1/4" x 1"	2PCS
Q	LOCK WASHER	Ø1/4" X 10D X 1.1mm	2PCS
S	FLAT WASHER	Ø1/4" X 22D X 2mm	2PCS
T	SCREW	Ø8 X 1"	26PCS



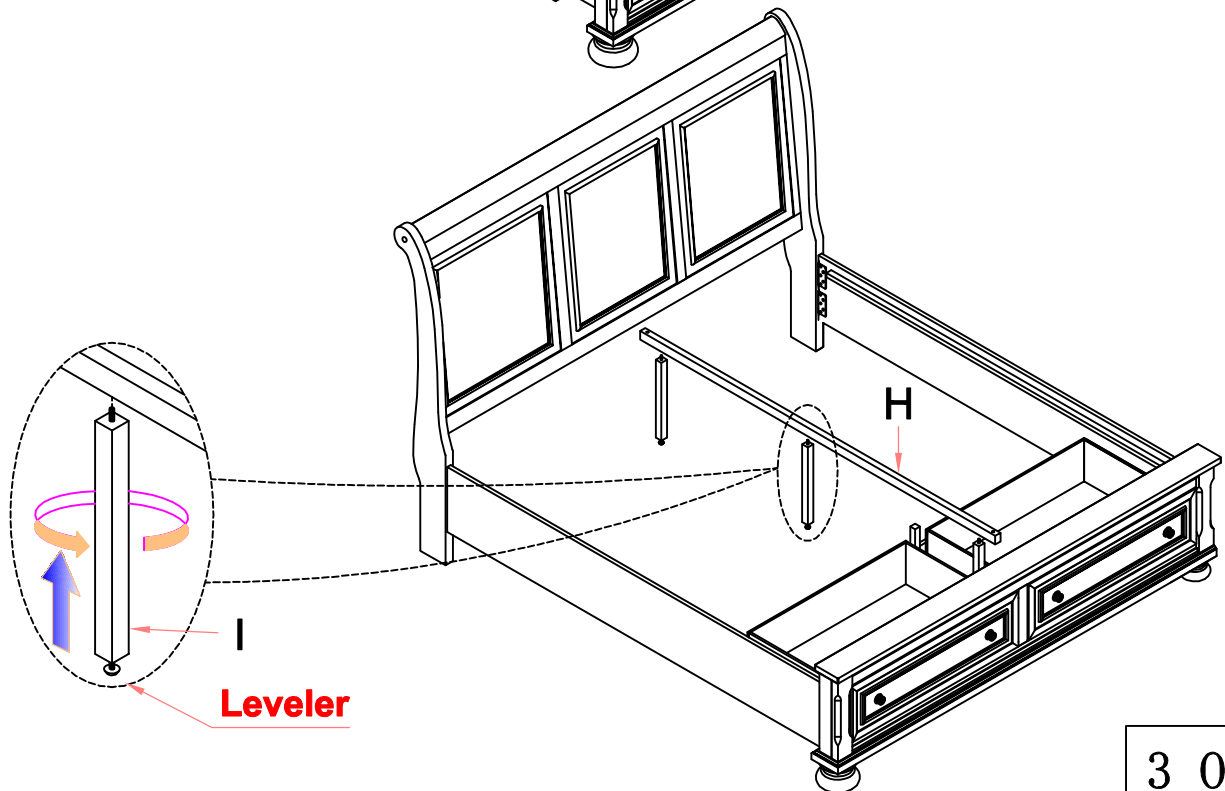
# ASSEMBLY INSTRUCTIONS

**NOTE. THIS ITEM NOT RECOMMENDED FOR COMMERCIAL USE  
KEEP THIS DOCUMENT FOR REFERENCE IN CASE PARTS ARE NEEDED  
DO NOT TIGHTEN SCREWS UNTIL COMPLETELY ASSEMBLED! !**

## STEP 3



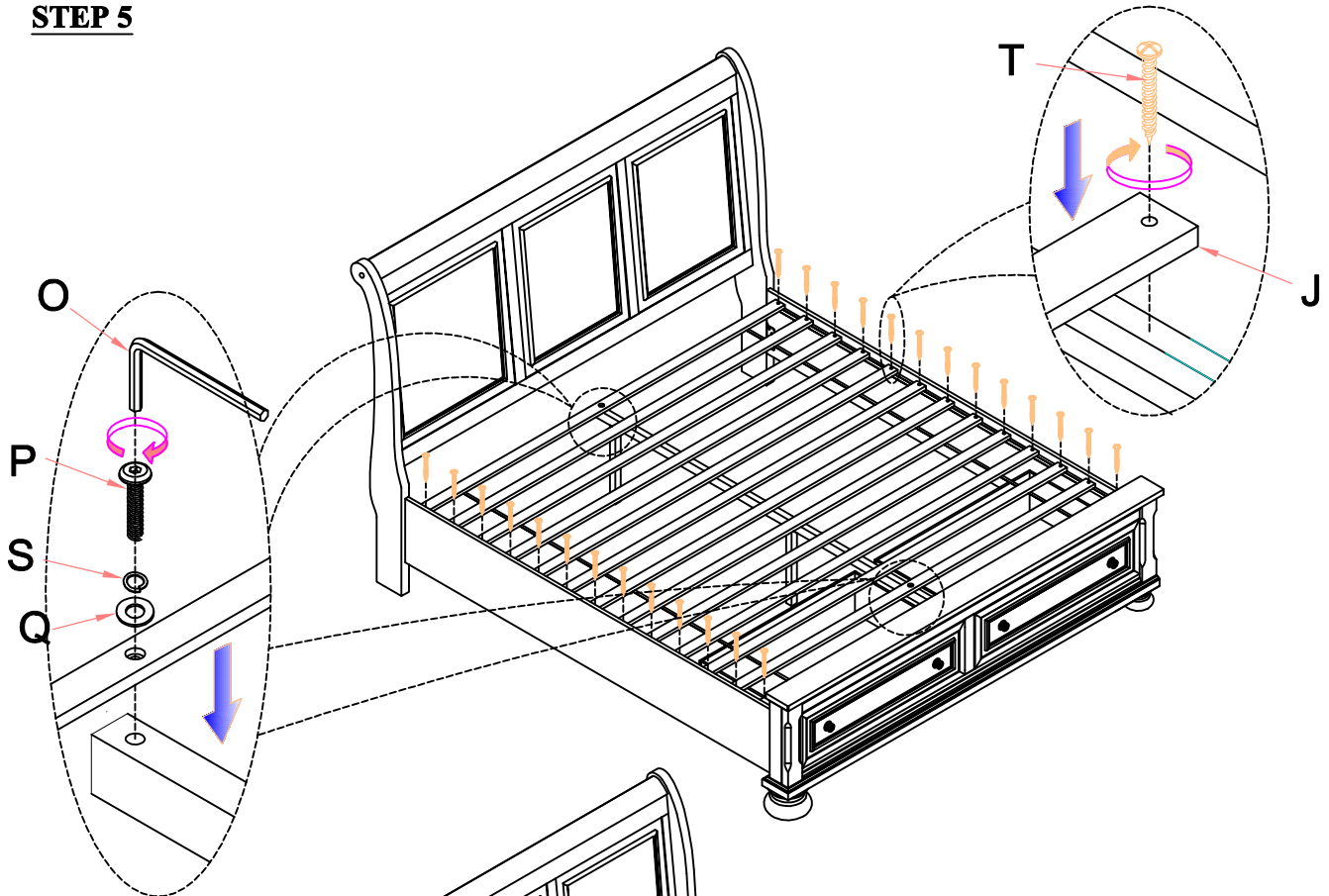
## STEP 4



# ASSEMBLY INSTRUCTIONS

**NOTE: THIS ITEM NOT RECOMMENDED FOR COMMERCIAL USE  
KEEP THIS DOCUMENT FOR REFERENCE IN CASE PARTS ARE NEEDED  
DO NOT TIGHTEN SCREWS UNTIL COMPLETELY ASSEMBLED! !**

## STEP 5



## STEP 6

