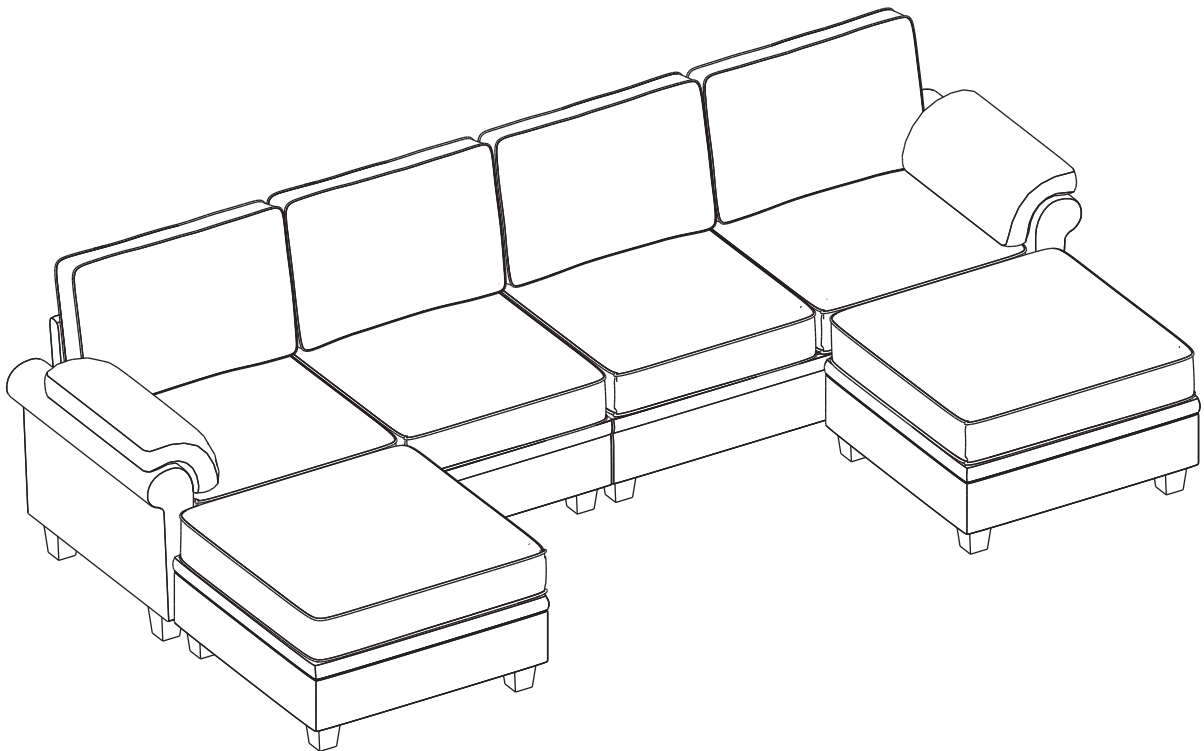


ITEM NO : 602

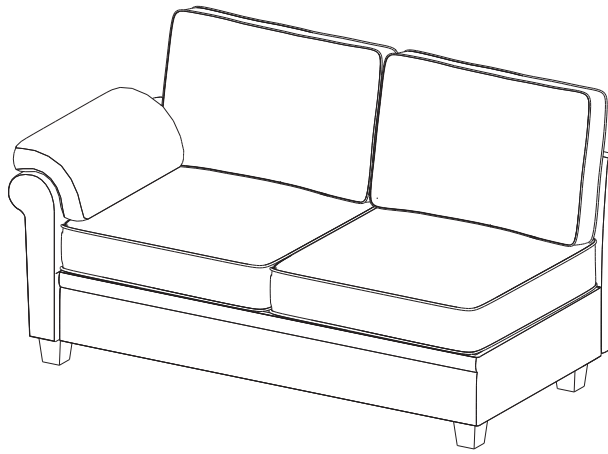
COLOUR:BEIGE/DARK GREY/BLACK

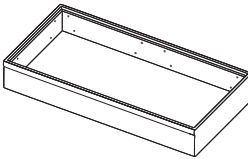
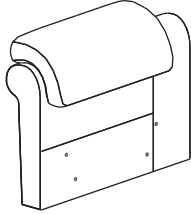
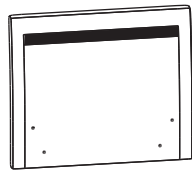
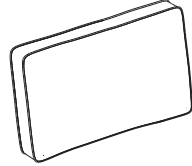
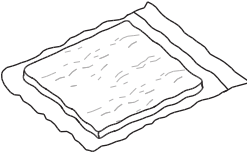
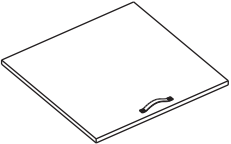
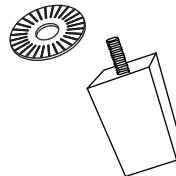
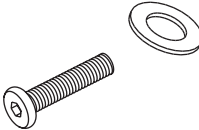
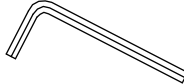
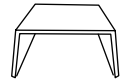
Assembly Instruction



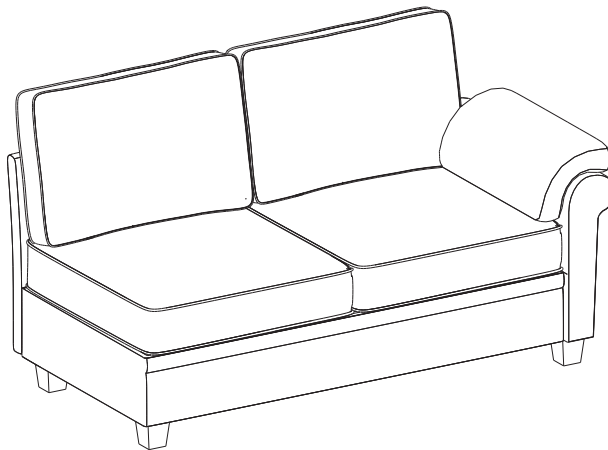
FABRIC:LINEN

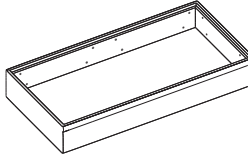
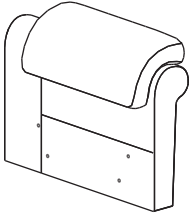
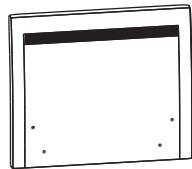
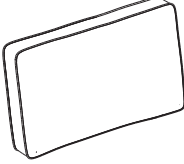
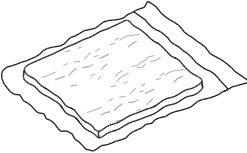
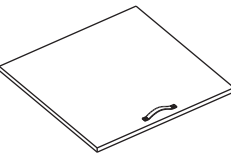
Left chair

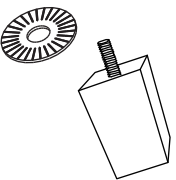
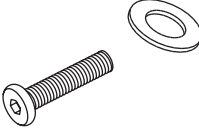
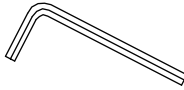
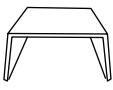


<p>a1 Left Seat Frame 1PC</p> 	<p>a2 Left Arm 1 PC</p> 	<p>a3 Backrest Frame 2 PC SIZE: D63 x H61CM</p> 	<p>a4 Back cushion 2 PC</p> 	<p>a5 Compress Seat cushion 2 PC</p> 	<p>a6 Cover Plate 2 PCS</p> 
<p>H Leg 4 PCS</p> 	<p>I M8*50 Bolt 13 PCS</p> 	<p>J Allen key 1 PC</p> 	<p>K U-shaped iron 2 PCS</p> 		

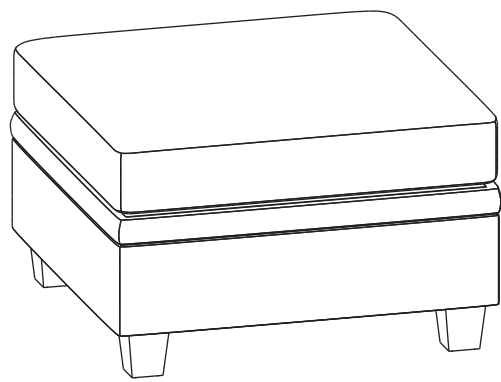
Right chair

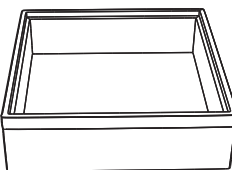
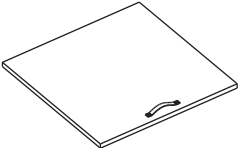
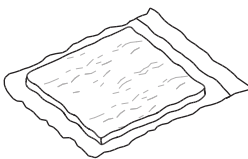
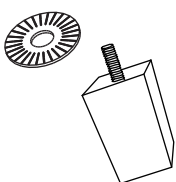
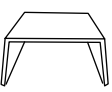


<p>b1 Right Seat Frame 1PC</p> 	<p>b2 Right Arm 1 PC</p> 	<p>a3 Backrest Frame 2 PC SIZE: D63 x H61CM</p> 	<p>a4 Back cushion 2 PC</p> 	<p>a5 Compress Seat cushion 2 PC</p> 	<p>a6 Cover Plate 2 PCS</p> 
--	---	--	---	---	--

<p>H Leg 4 PCS</p> 	<p>I M8*50 Bolt 13 PCS</p> 	<p>J Allen key 1 PC</p> 	<p>K U-shaped iron 2 PCS</p> 		
--	---	--	---	--	--

Ottoman



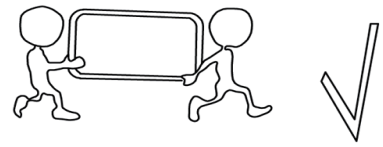
<p>c1 Seat Frame 1PC</p> 	<p>c2 Cover Plate 1 PC</p> 	<p>c3 Compress Seat cushion 1 PC</p> 	<p>H Leg 4 PCS</p> 	<p>K U-shaped iron 2 PCS</p> 	
--	---	---	--	---	--

Assembly before Important remind

Do not push the sofa to the position of use to prevent damage to the floor or sofa feet

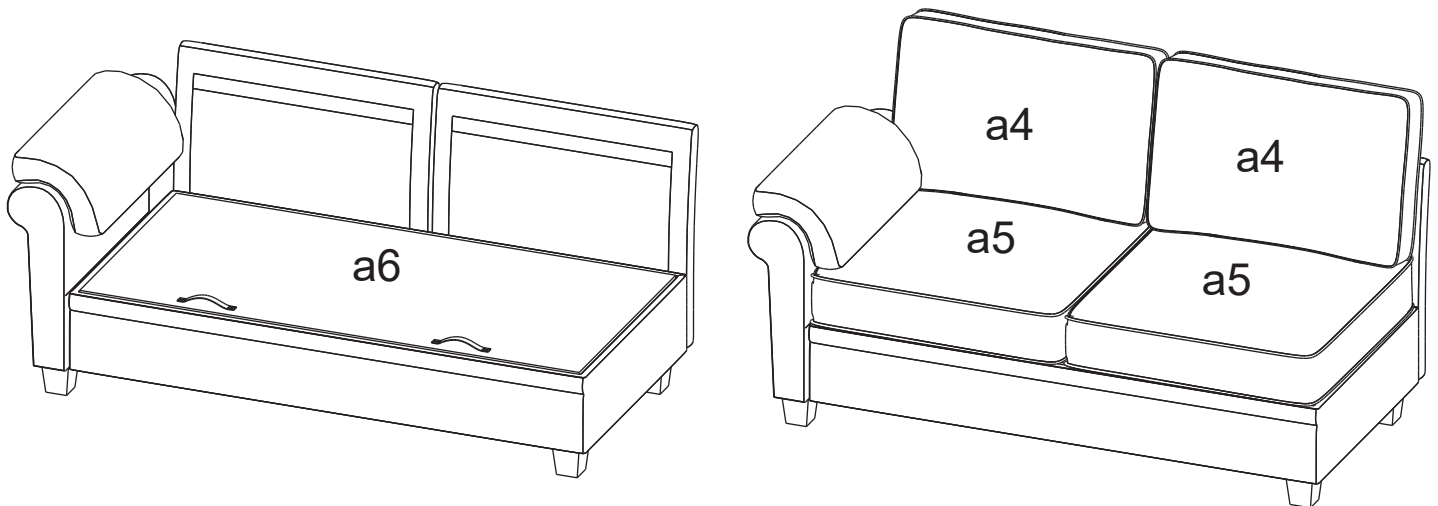
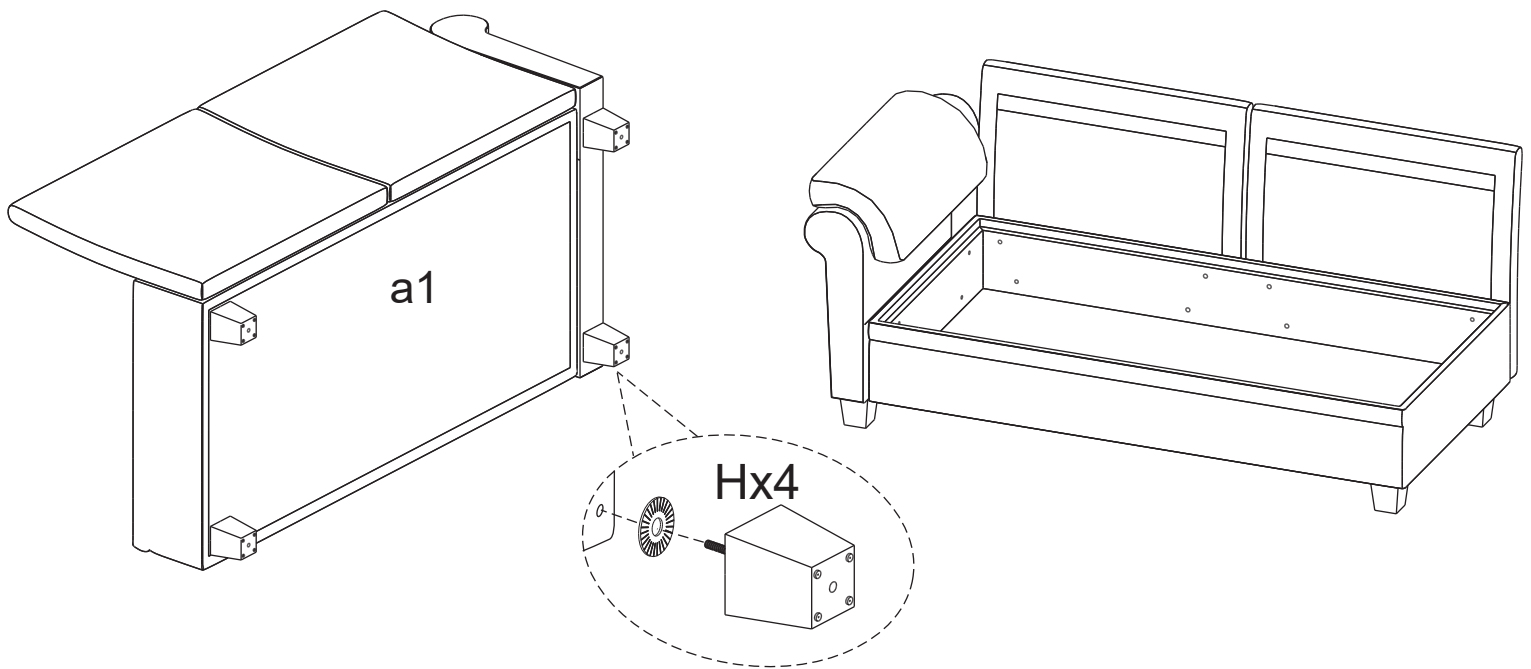
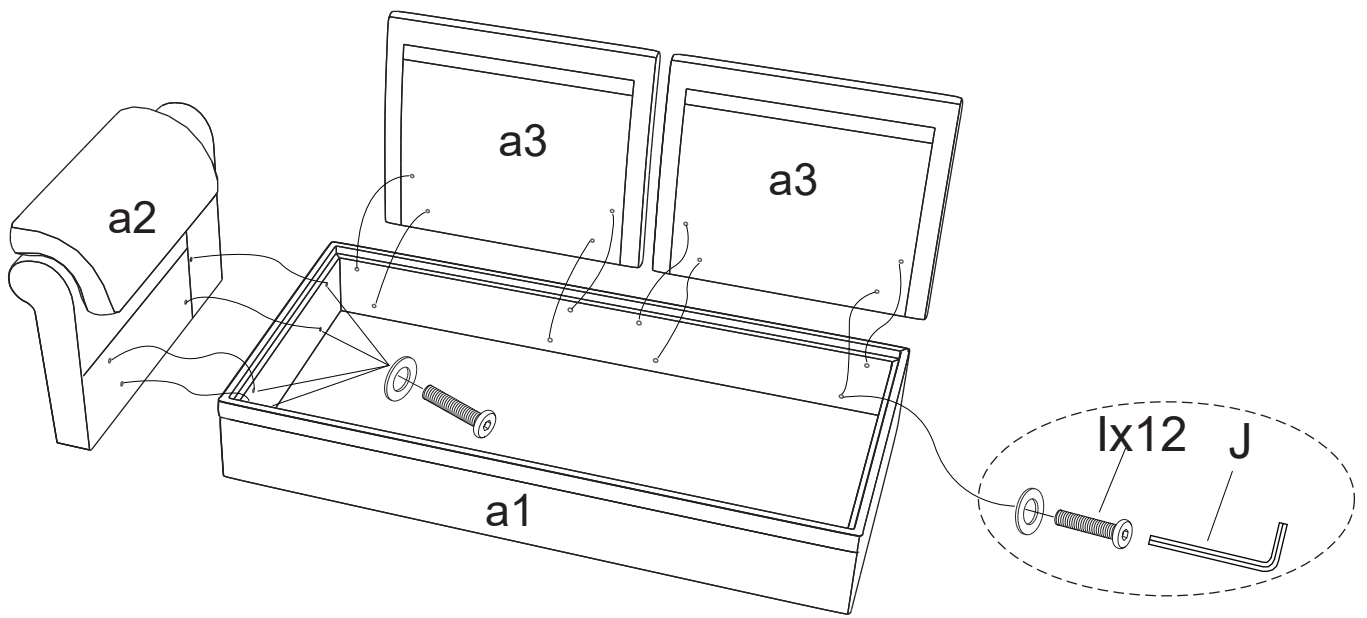


According to the place of use, try to install it nearby. If you want to move it after installation, please lift it



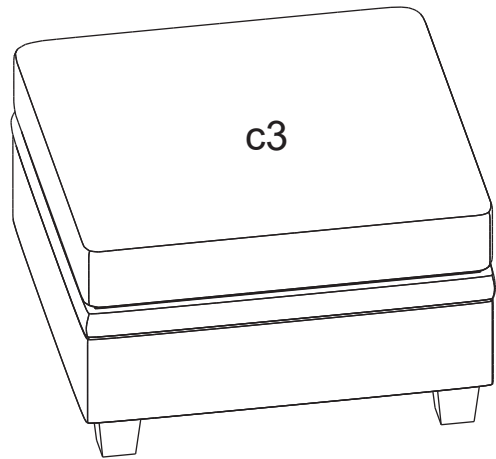
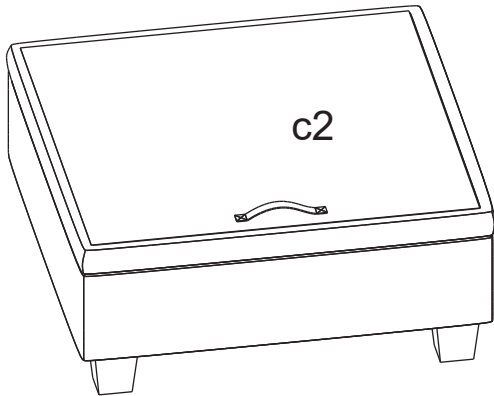
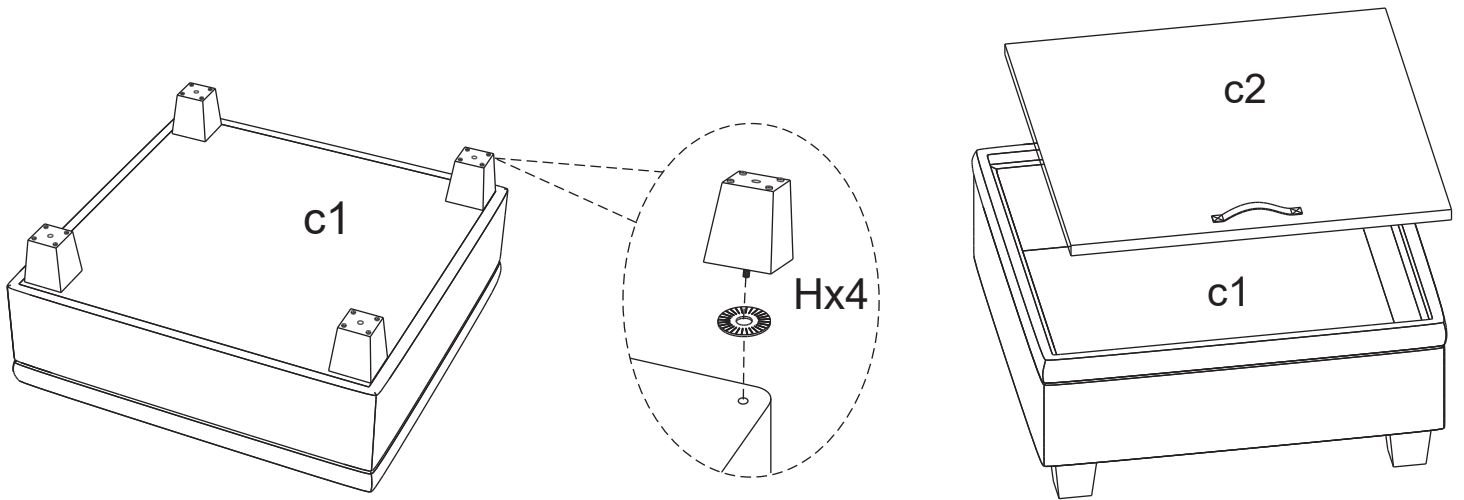
Left chair Assembly(Right chair same method)

Spet 1:Fix the arm while attaching the backrest to the seat; Spet 2:Fix leg;
Spet 3: Fix the cover plate; Spet 4: Then put on the seat cushion, back cushion, and pillow;

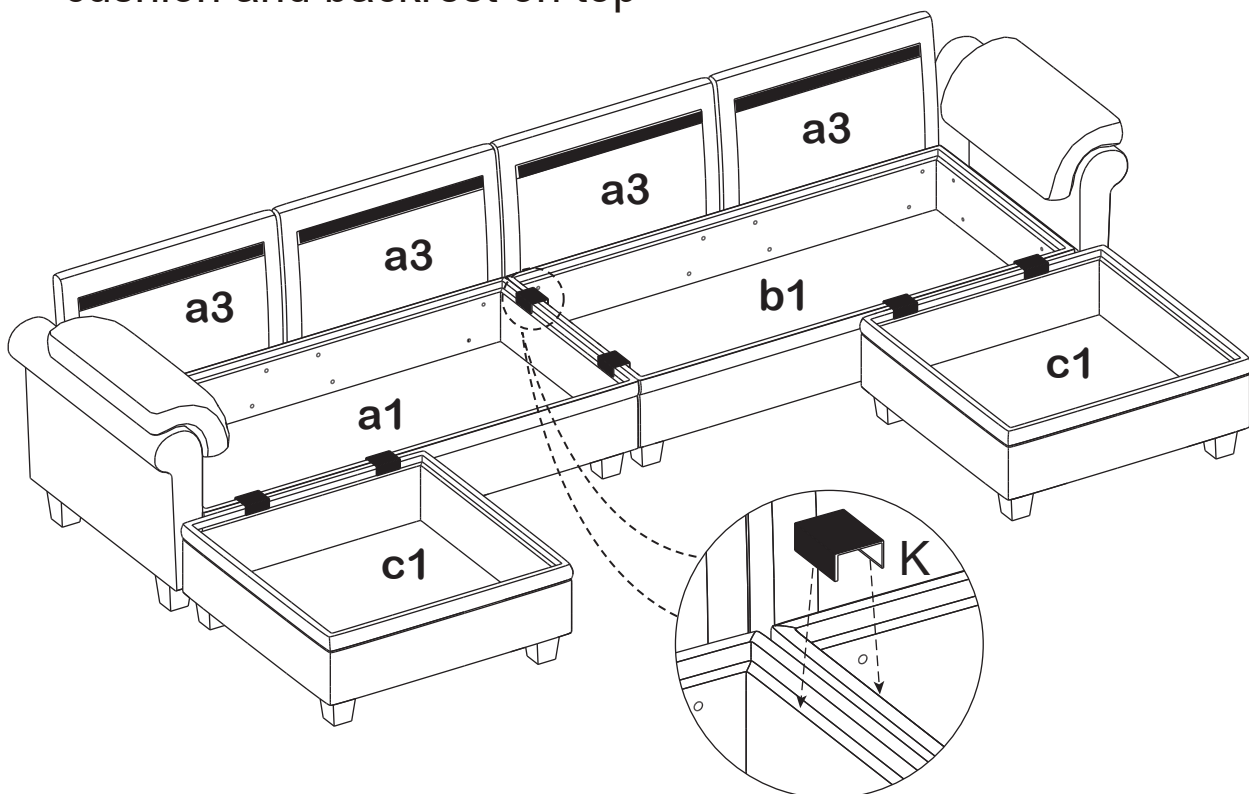


Ottoman Assembly

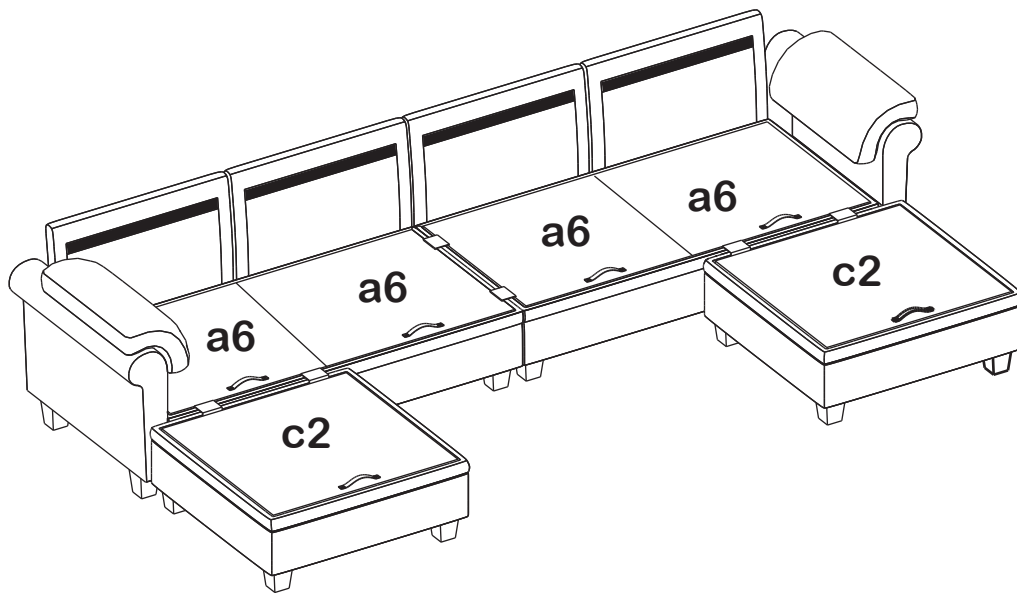
Spet 1: Fix leg; Spet 2: Fix the cover plate then put on the seat cushion;



- 1 Fix the assembled sofa together with K and then place the seat cushion and backrest on top



2



3

1. The cushion will recover 80% within 30 minutes of being unrolled and 95% within 72 hours.
2. If you want it to recover faster, you can pat it by hand.
3. The surface fabric of the cushion may develop some wrinkles due to compression, but this does not affect its use. These wrinkles will disappear over time. To quickly deal with these creases, you can steam the surface of the cloth with a steam iron, but do not set the temperature too high.

