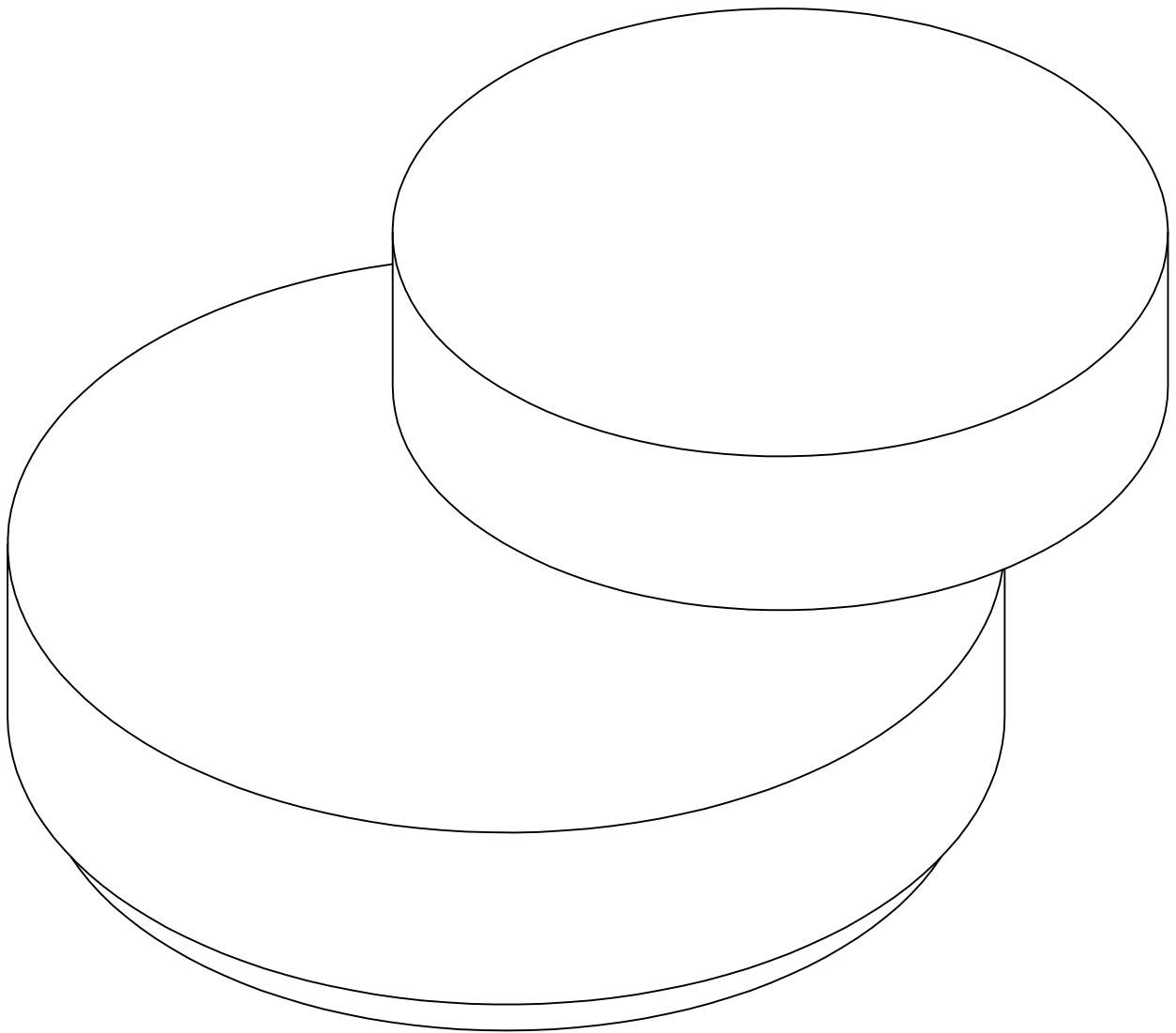


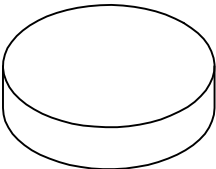
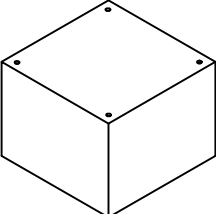
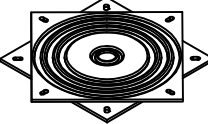
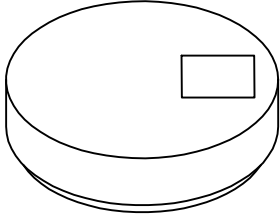
Assembly Guide

Coffee Table

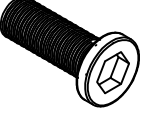
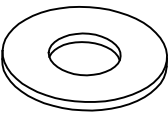
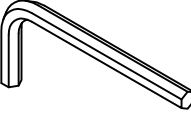
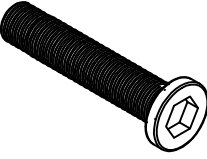
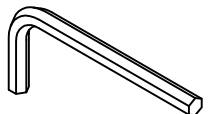



Tips: Do not throw away packing materials until assembly is complete for small parts may come loose inside the carton during shipment. If parts are missing, please contact us. Assemble this item on a soft surface, such as carpet to protect the finish.

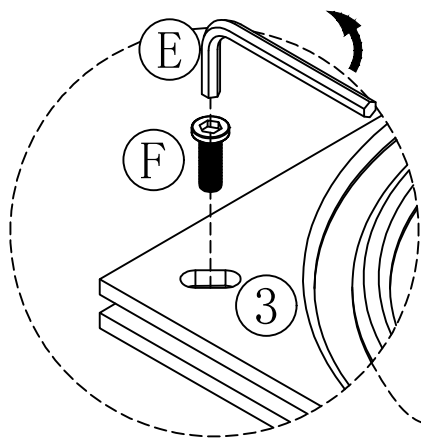
PARTS LIST

①	②	③	④
			
Small Table=1	Link Block=1	Wheel=1	Big Table=1

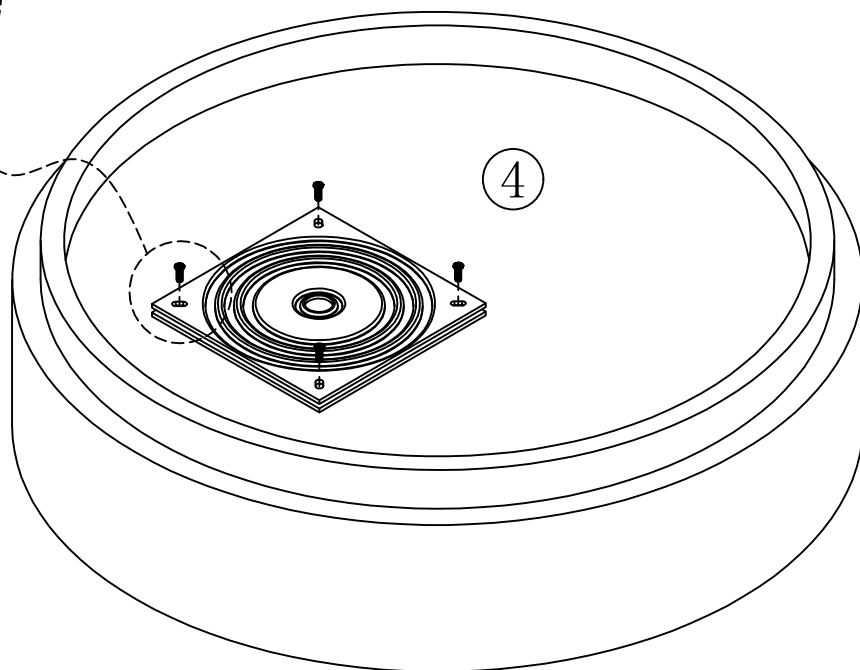
HARDWARE LIST

A	B	C	D	E
				
M6*15 Hexagon Socket Head Cap Screw=8	Gasket=4	M4 Hex Key=1	M8*40 Hexagon Socket Head Cap Screw=4	M5 Hex Key=1
F				
				
M8 Hexagon Socket Head Cap Screw=4				

Step 1



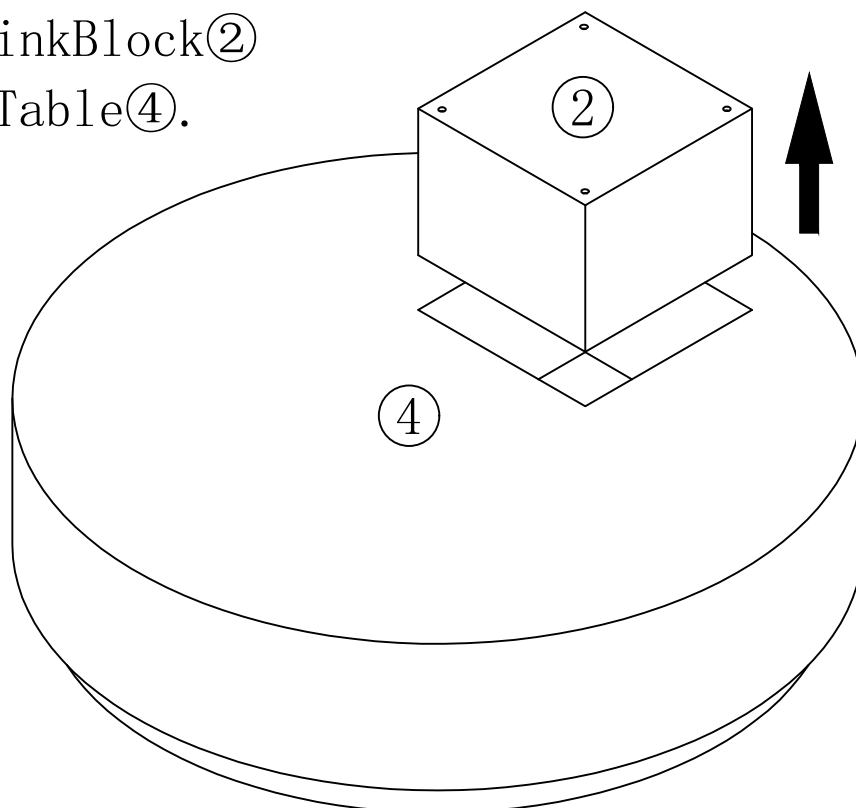
Remove Screw[F] and the Wheel③ from the bottom of the BigTable④.



Note: Screw[F] is only used for initial locking and is no longer necessary.

Step 2

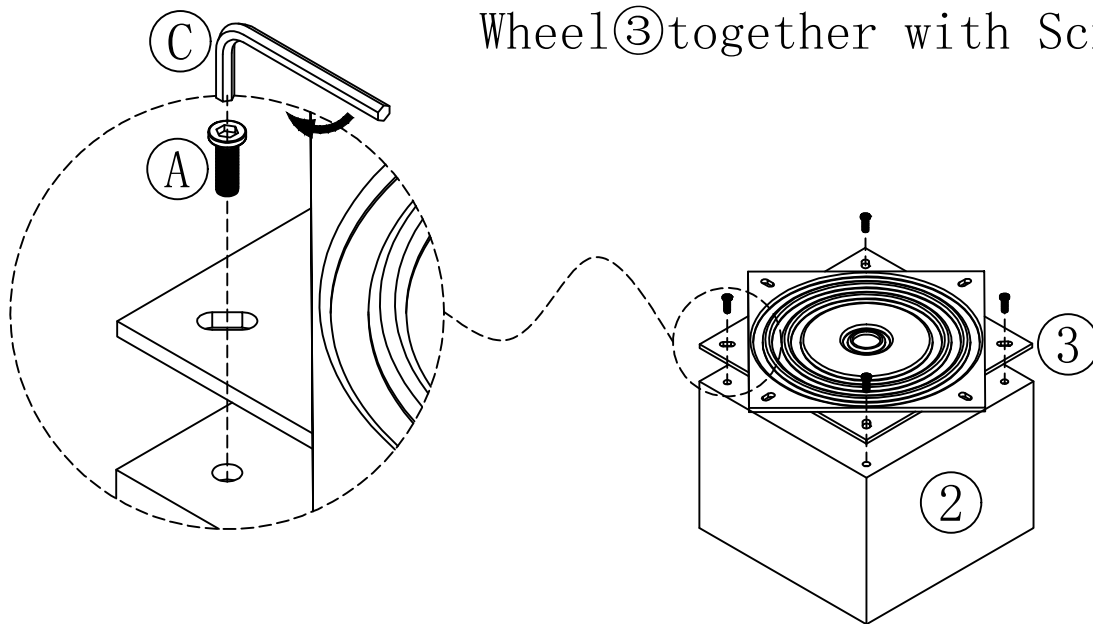
Turn over the BigTable④ and remove LinkBlock② from the BigTable④.



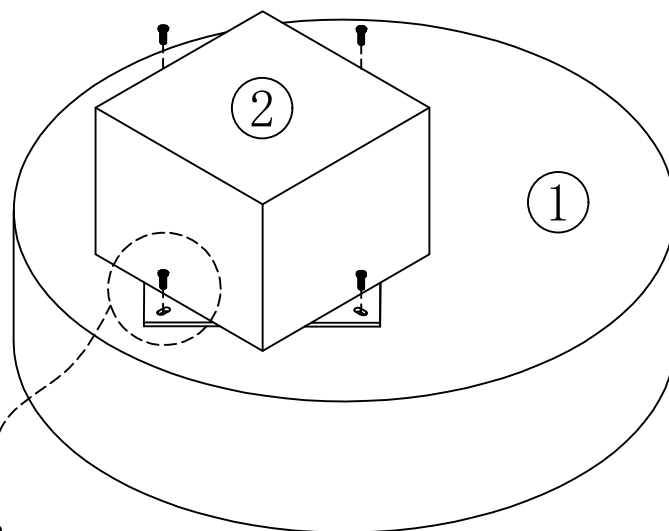
Step 3

A=4, C=1

Lock the LinkBlock② and the Wheel③ together with Screws[A].



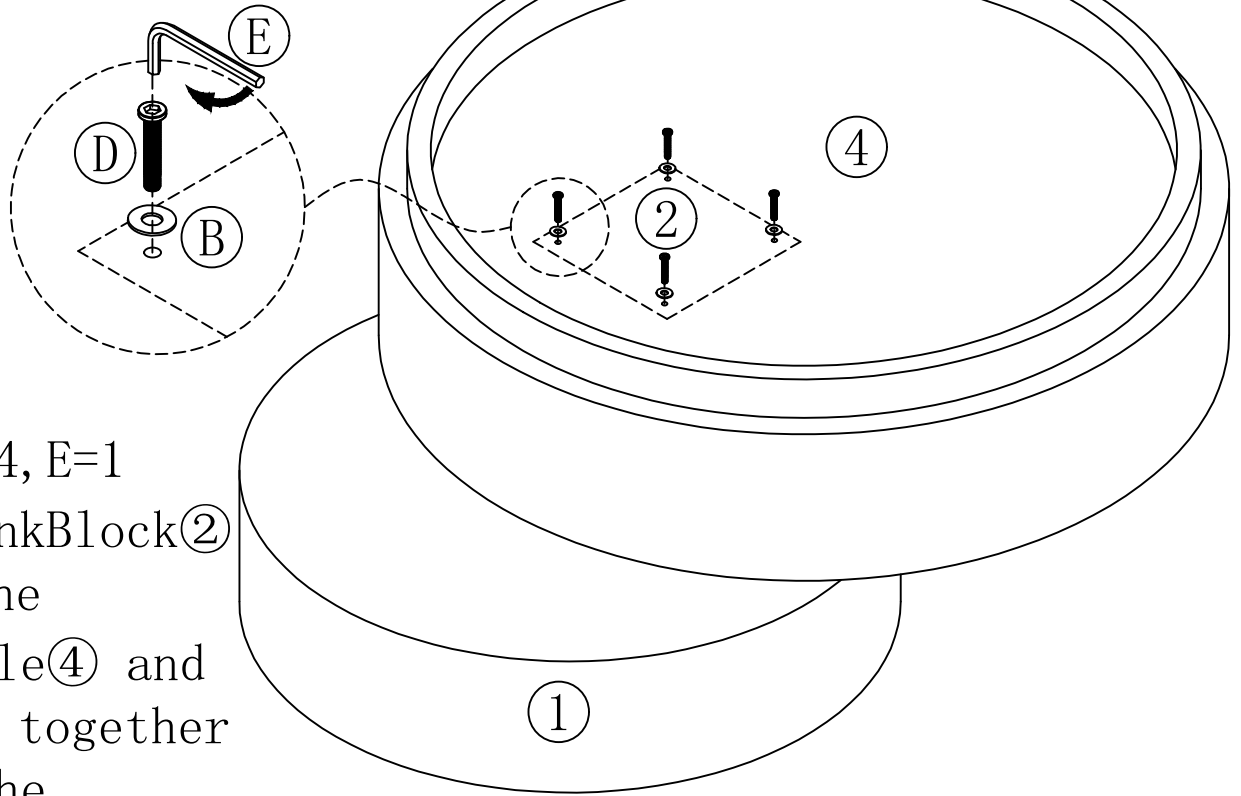
Step 4



A=4, C=1

Lock the LinkBlock② and the Wheel③ onto the SmallTable① With Screw[A].

Step 5



$D=4, B=4, E=1$

Put LinkBlock②
into the
BigTable④ and
fix it together
with the
BigTable④.

Step 6

