

## CARE AND MAINTENANCE

Store outdoor furniture indoors or cover well when it is not in use. Dust regularly with small brush or vacuum. Spills should be taken care of immediately before they harden or stain with a slightly dampened sponge.

## NOTICE

Please make sure that you have all parts indicated before you begin assembly of this item.

Corner chair dimension: 26.97"W x 26.97"D x 26.77"H  
 Footrest dimension : 25.59"W x 25.59"D x 10.63"H  
 Table dimension : 26.77"W x 17.72"D x 26.77"H




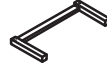

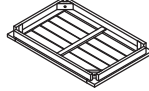
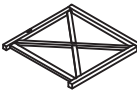
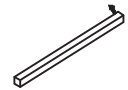








Weight capacity : 300 lbs

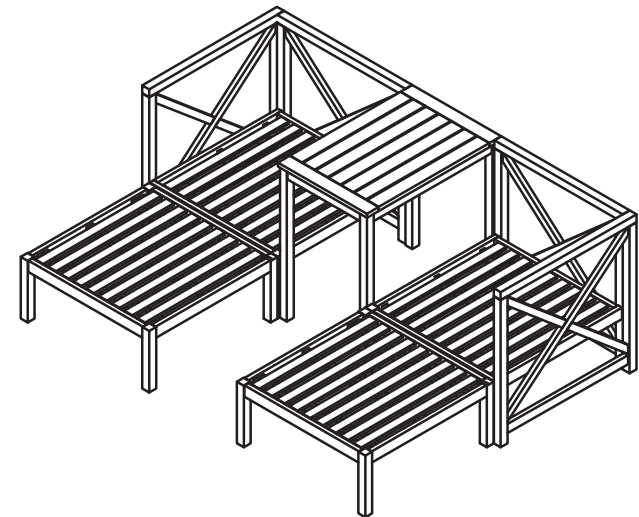
Warning : Do not stand on the chair

Warning : Do not torque bolts / screws



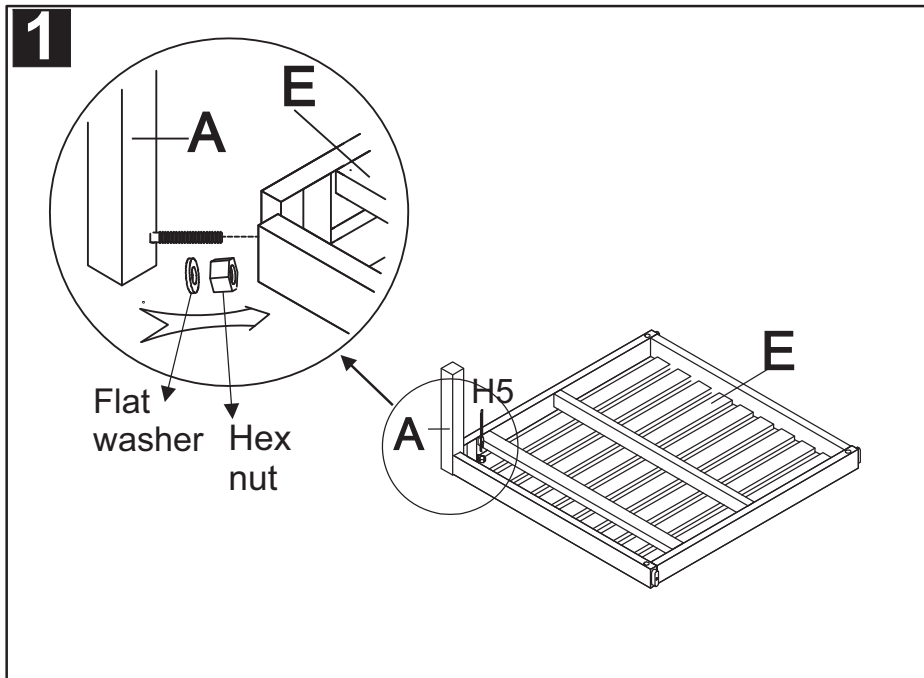
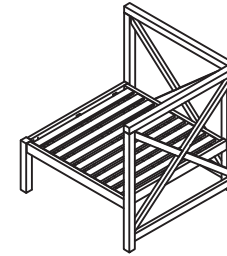
### Part List and Hardware List

PIECE	DESCRIPTION	PICTURE	QUANTITY	PIECE	DESCRIPTION	PICTURE	QUANTITY
A	Leg chair		2x	I	Foot top		2x
B	Right seat		1x	J	Foot leg		4x
C	Right back		1x	K	Table top		1x
D	Right side		1x	L	Table leg		4x
E	Left seat		1x	H1	Allen bolt M6x70		14x
F	Left back		1x	H2	Allen screw M6x65		4x
G	Left side		1x	H3	Extra bolt M6x50		1x
				H4	Allen key		1x
				H5	Wrench		1x

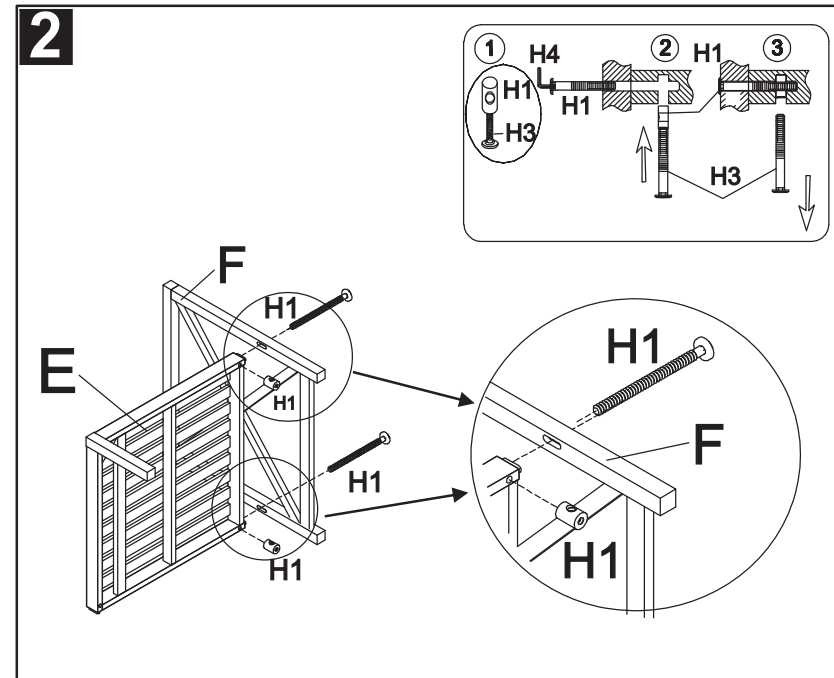


# PREPARATION

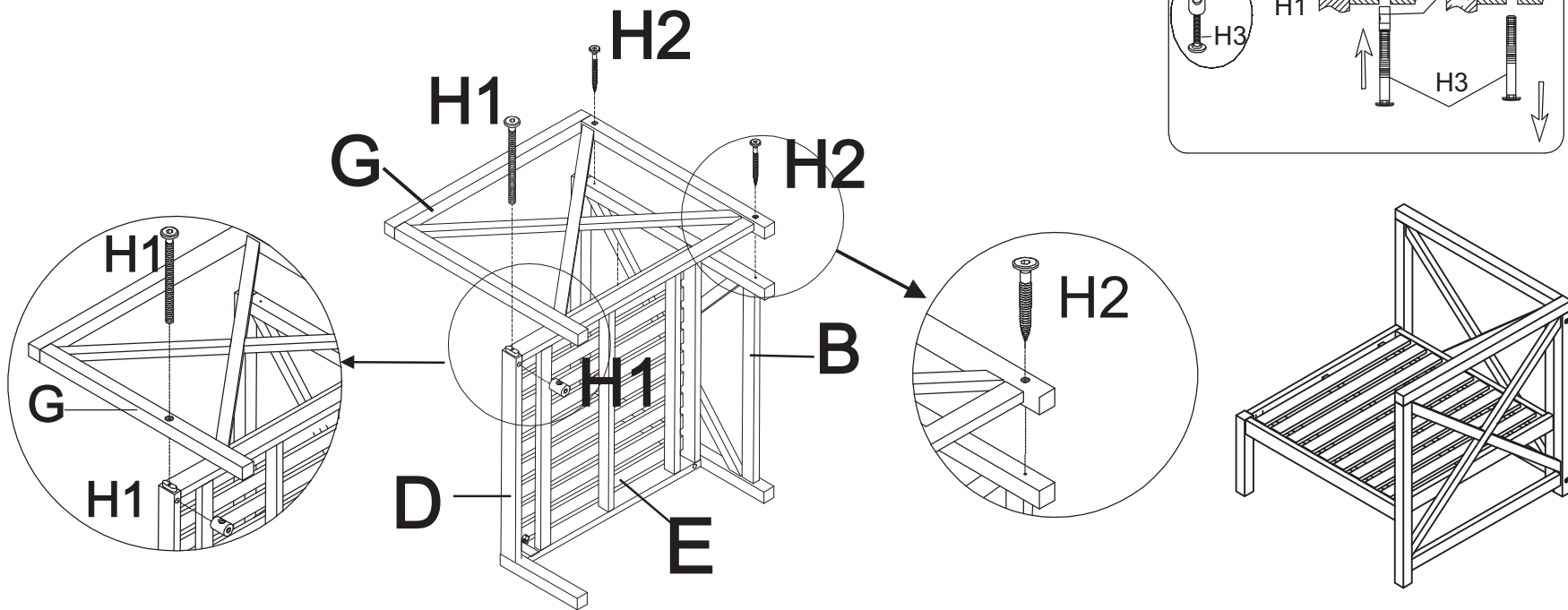
Before beginning the assembly of the product, make sure all parts are present. Compare the parts with the package contents list and hardware contents list. If any parts are missing or damaged, do not attempt to assemble the product. Tool required for assembly (included): Allen Key and Wrench.



Step 1: attach the leg (A) to the Left seat (E) remove the nut and Flat washer on the leg (A) as shown on the picture. Tighten the leg (A) by using the Wrench (H5) as shown on the picture .



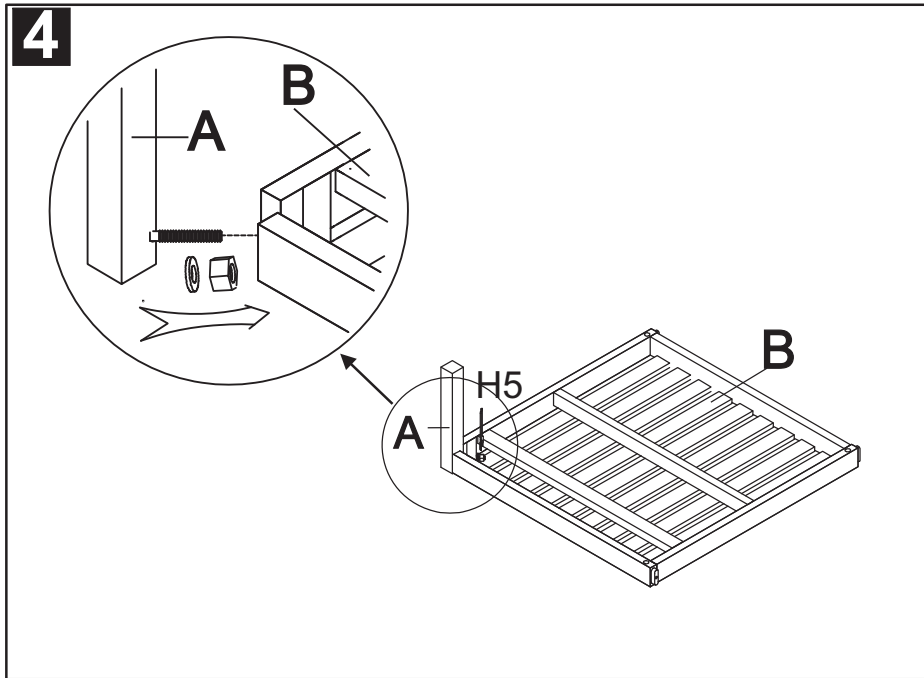
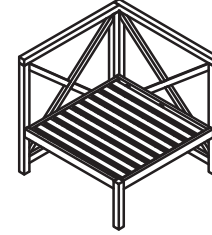
Step 2: attach the Left back (F) to the Left seat (E) as shown on the picture. Using the Allen nut (H1) and tighten by the Allen key (H4) and Extra bolt (H3) as shown on the picture .

**3**

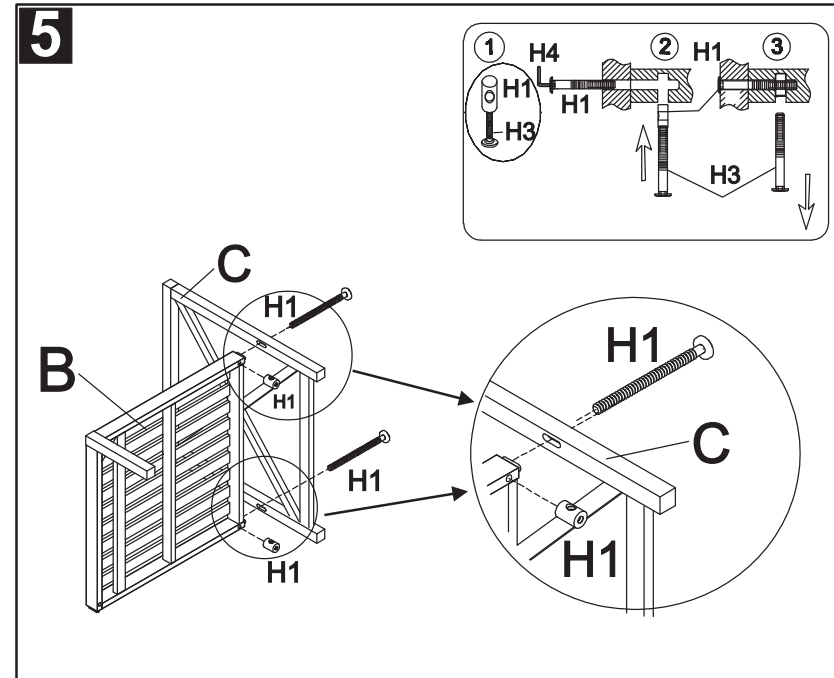
Step 3: attach the Left side (G) to the chair as shown on the picture. Using the Allen screw (H2) and Allen nut ( H1) to assembly the Left side (G) to the seat (E) and back (B) as shown on the picture. Tighten by the allen key (H4) and Extra bolt (H3) .

# PREPARATION

Before beginning the assembly of the product, make sure all parts are present. Compare the parts with the package contents list and hardware contents list. If any parts are missing or damaged, do not attempt to assemble the product. Tool required for assembly (included): Allen Key and wrench.

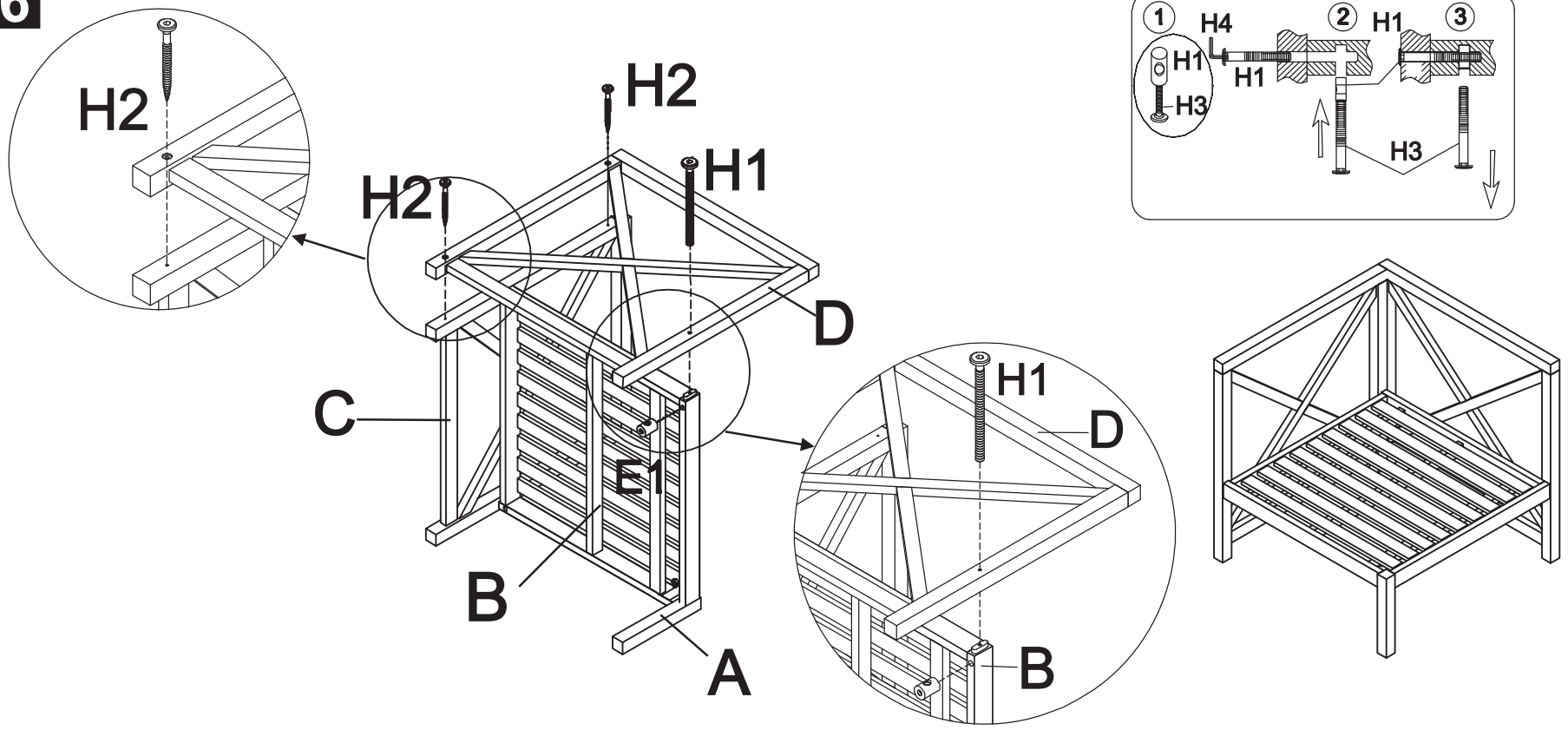


Step 4: attach the leg (A) to the Right seat (B) remove the bolt and Flat washer on the leg (A) as shown on the picture. Tighten the leg (A) by using the Wrench (H5) as shown on the picture .



Step 5: attach the Right back (C) to the Right seat (B) as shown on the picture. Using the Allen nut (H1) and tighten by the Allen key (H4) and Extra bolt (H3) as shown on the picture .

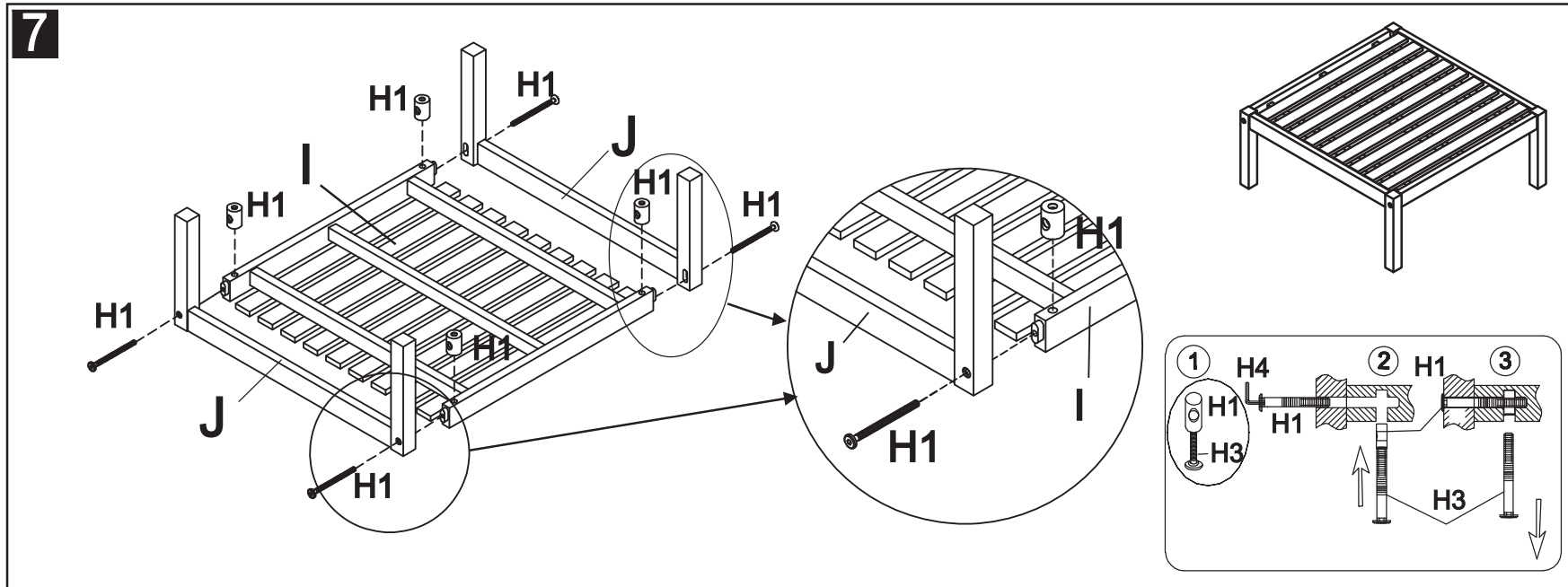
**6**



Step 6: attach the Right side (D) to the chair as shown on the picture. Using the Allen screw (H2) and Allen nut (H1) to assembly the Right side (D) to the Right seat (B) and back (B) as shown on the picture. Tighten by the allen key (H4) and extra bolt (H3).

# PREPARATION

Before beginning the assembly of the product, make sure all parts are present. Compare the parts with the package contents list and hardware contents list. If any parts are missing or damaged, do not attempt to assemble the product. Tool required for assembly (included): Allen Key and wrench.



Step 7: attach the Foot legs (J) to the Foot top (I) by using the Allen nut (H1) and tighten it by using the Allen key (H4) and the extra bolt (H3) as shown on the picture.

