

Installation



Bracket
6 pcs



Wooden Board
3 pcs(L/M/S)



Short Screw
18 pcs



Long Screw
18 pcs



Wall Plug
18 pcs



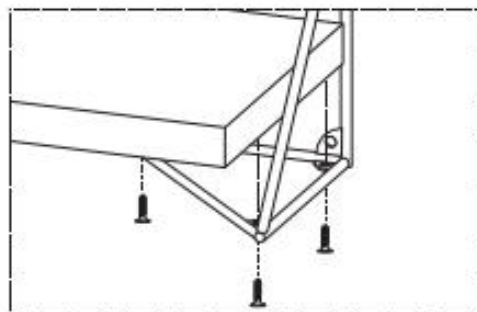
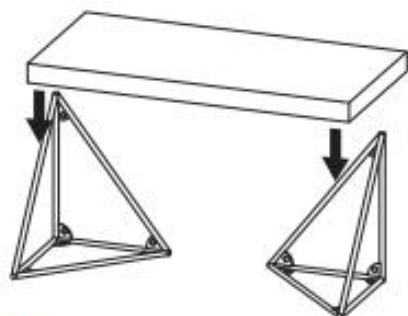
Left



Right

Step 1

Distinguish between left and right brackets.

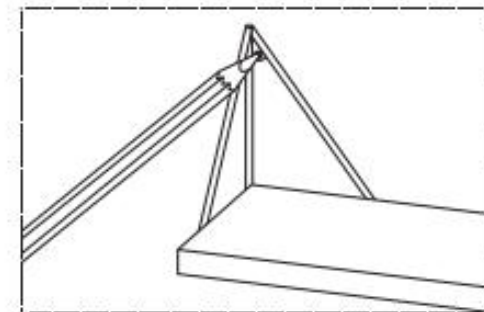


Step 2

Place wood board on the brackets and fix them with small screws.

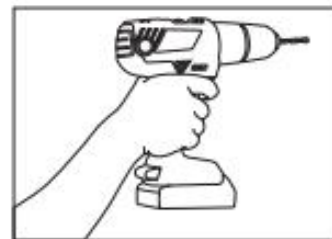


Type B: Install shelves with the board on top of the brackets
(NOTE: Three screws are required to mount each bracket to the wall.)



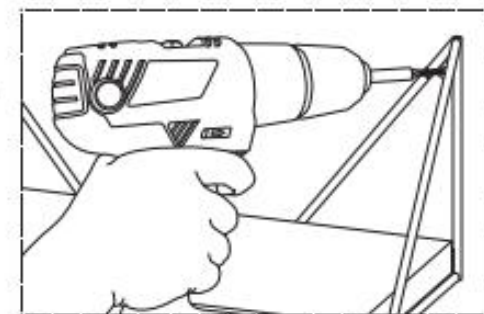
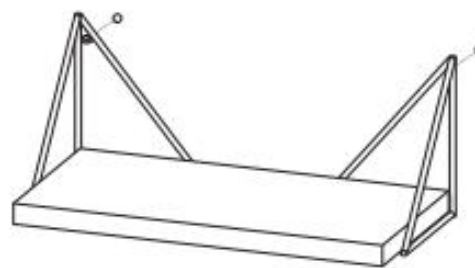
Step 3

Keep the wood board horizontally, then mark two gauge points from the holes at top of iron brackets.



Step 4

Drill holes at the marked points and hammer the wall plugs in.



Step 5

Align holes of the bracket with those on the wall, and fix shelves on the wall with long screws.