

ADULT ASSEMBLY REQUIRED

KD STOVE: #1526420

BIRD·IN·HAND
Woodworks, Inc.

Lancaster, Pennsylvania
A member of the School Specialty Family

Product Guide - General Instructions and Information

Customer Service:

P.O. Box 1579, Appleton, WI 54912-1579
Phone: 1-888-388-3224 Fax: 1-888-388-6344
E-Mail: Appleton_Orders@schoolspecialty.com
Website: www.schoolspecialty.com

Warning:

This product is for children. Supervision is required at all times.

Warning:

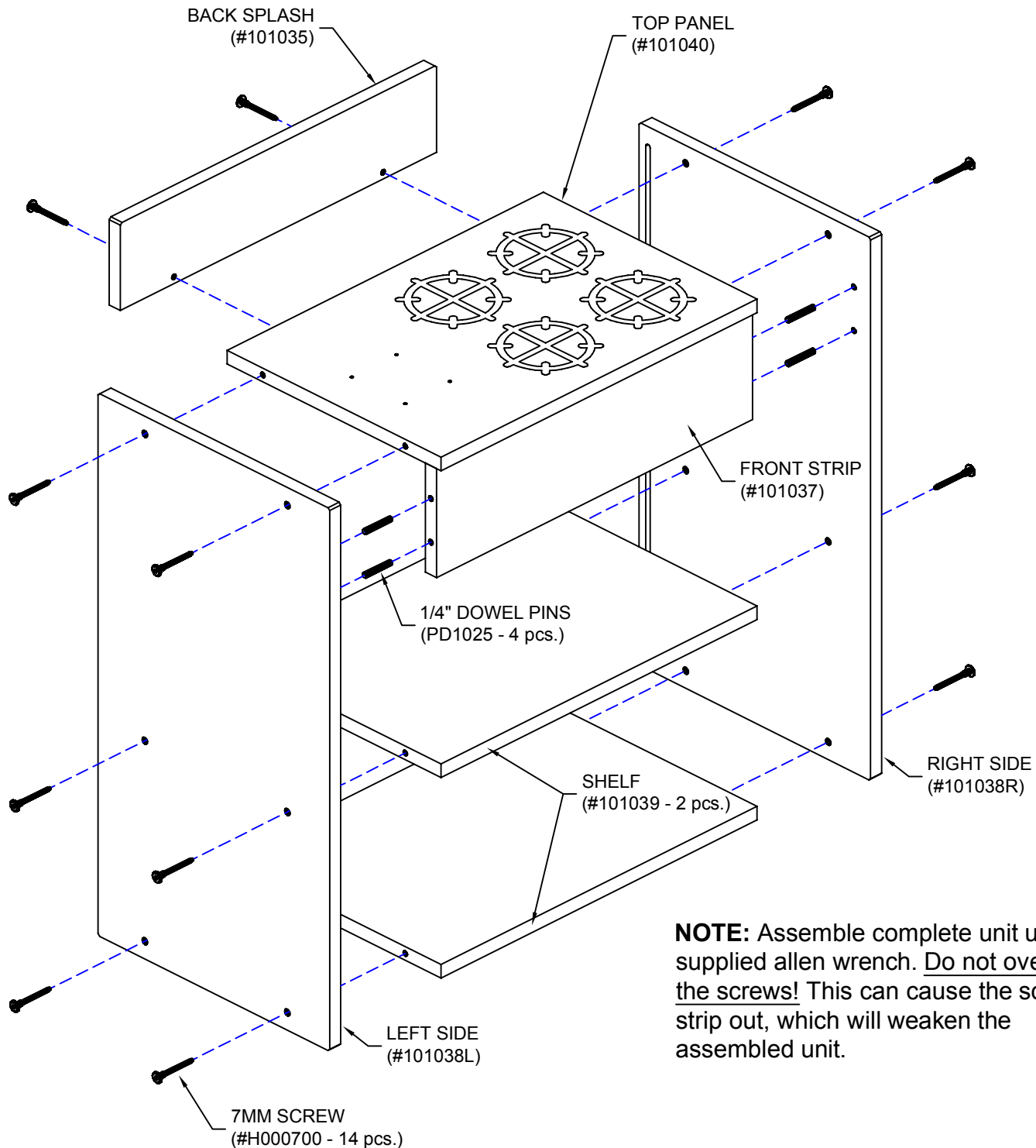
Manufacturer is not responsible for changes made to our products by customers.

Cleaning:

Use a mild soap and water solution. Be sure to wipe all water from the wood surface.

Important:

Keep these instructions for future reference.



NOTE: Assemble complete unit using the supplied allen wrench. Do not over-tighten the screws! This can cause the screws to strip out, which will weaken the assembled unit.

ADULT ASSEMBLY REQUIRED

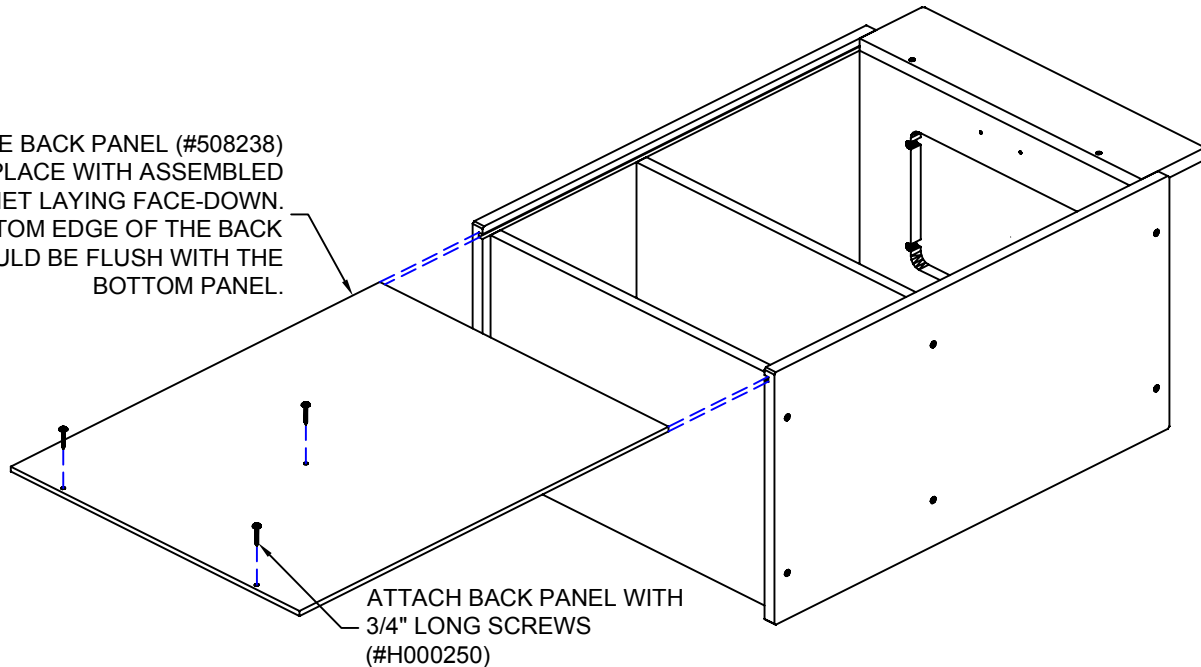
KD STOVE: 1526420

BIRD·IN·HAND
Woodworks, Inc.

Lancaster, Pennsylvania
A member of the School Specialty Family

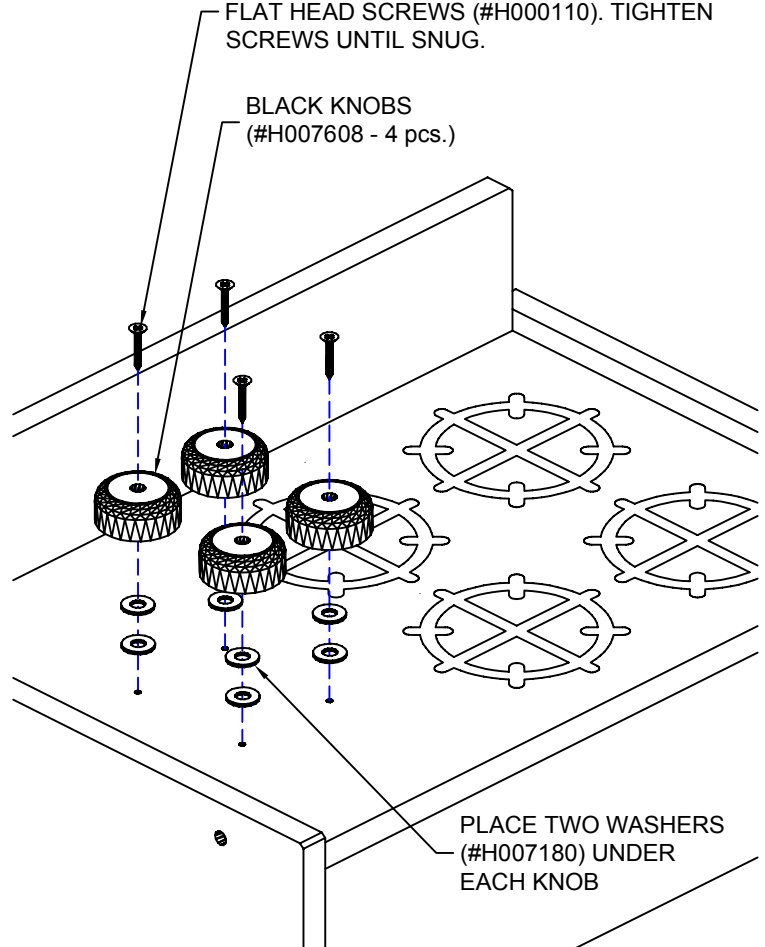
Product Guide - General Instructions and Information

SLIDE BACK PANEL (#508238) INTO PLACE WITH ASSEMBLED CABINET LAYING FACE-DOWN. THE BOTTOM EDGE OF THE BACK SHOULD BE FLUSH WITH THE BOTTOM PANEL.



SECURE BLACK KNOBS WITH 1 1/4" LONG FLAT HEAD SCREWS (#H000110). TIGHTEN SCREWS UNTIL SNUG.

BLACK KNOBS (#H007608 - 4 pcs.)



3/4" SCREWS (#H000250)

USING A POWER SCREWDRIVER, ATTACH EACH FOOT (#H000990) TO THE BOTTOM PANEL WITH 3/4" SCREWS. LOCATE EACH FOOT APPROXIMATELY 1" IN FROM EDGES.

