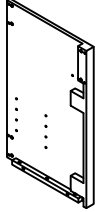
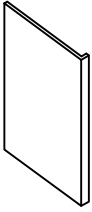
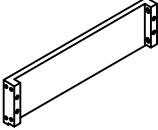
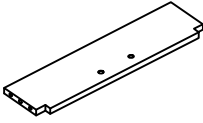
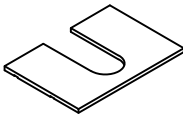
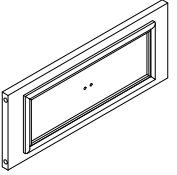
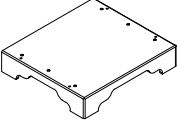
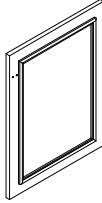
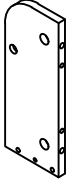
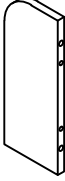
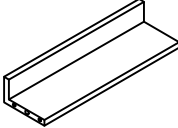
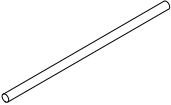
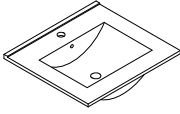
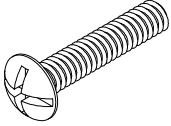
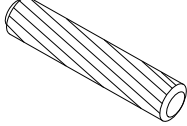
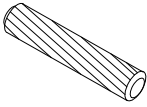
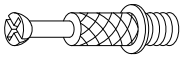
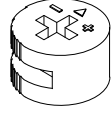
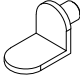
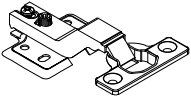






PRODUCT PARTS:

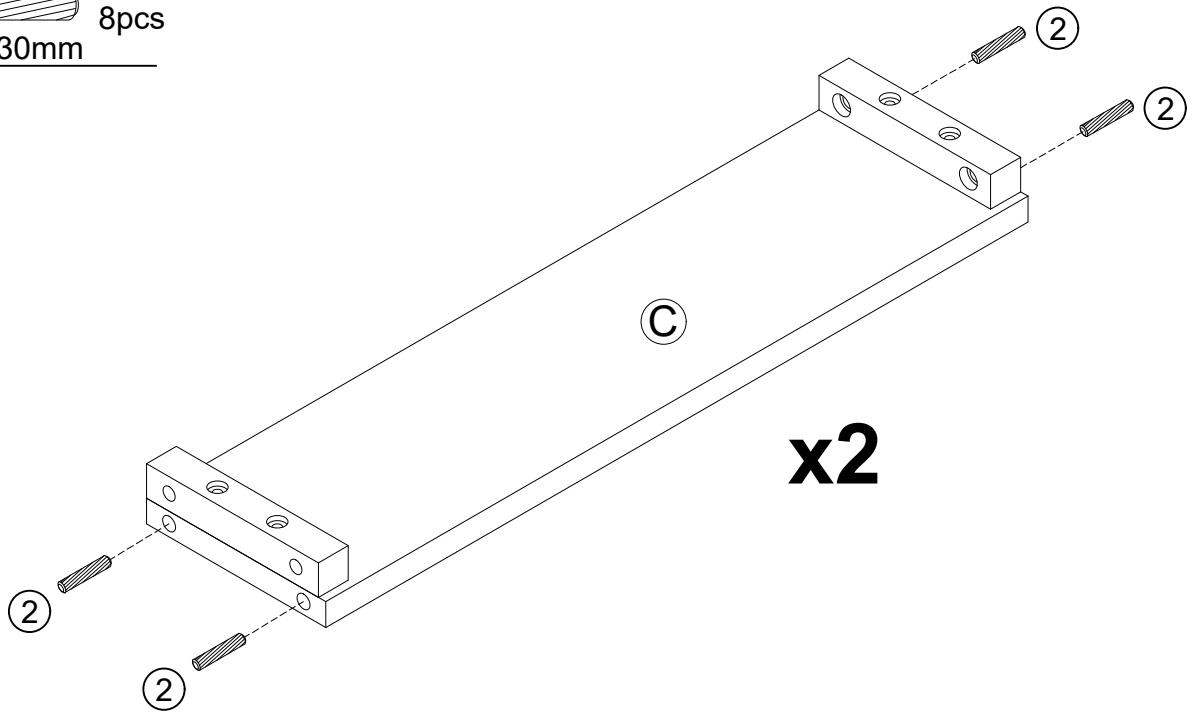
A	B	C	D	E	F
					
1PC	1PC	2PCS	1PC	1PC	1PC
G	H	I	J	K	L
					
1PC	1PC	1PC	1PC	1PC	1PC
M					
					
1PC					

HARDWARE:


①	②	③	④	⑤	⑥
					
1/4"x25mm	Ø8x30mm	Ø6x30mm	Ø6x33mm	Ø15x9mm	
20+2 PCS	18+1PCS	8 PCS	10+1 PCS	10+1 PCS	4 PCS
⑦	⑧	⑨	⑩		
					
	Ø4x12mm		5/32"x15mm		
2PCS	12+1PCS	2PCS	4PCS		

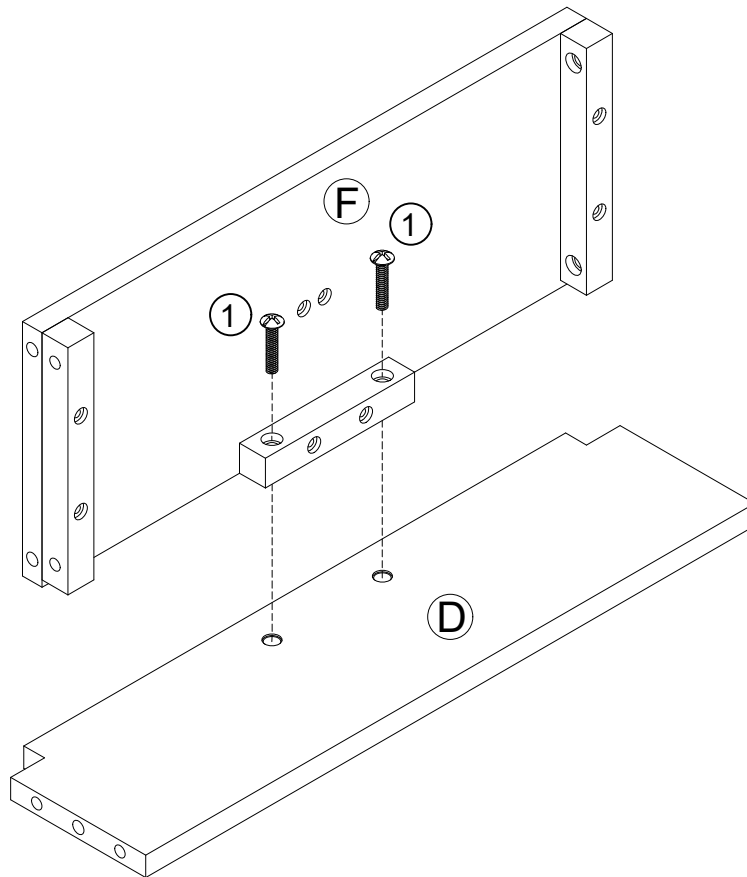
STEP 1

- ②  8pcs
Ø8x30mm

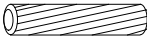


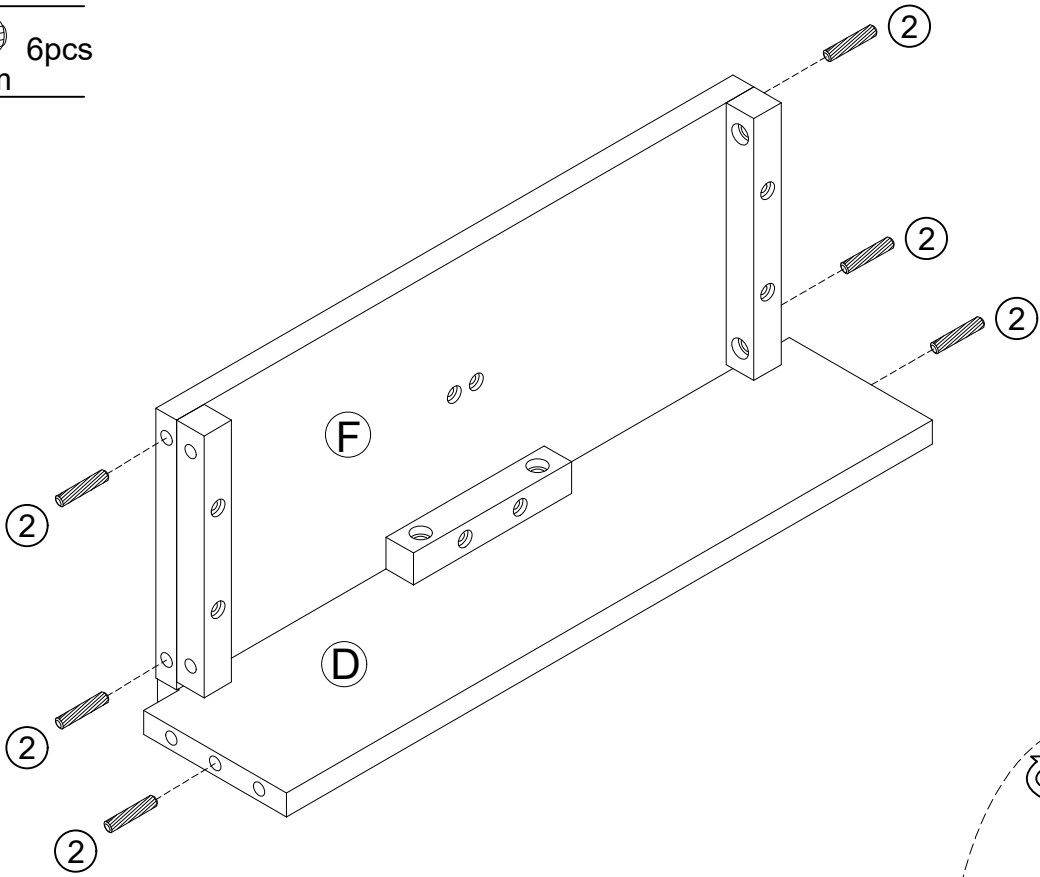
STEP 2

- ①  2pcs
1/4"x25mm

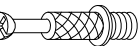



STEP 3

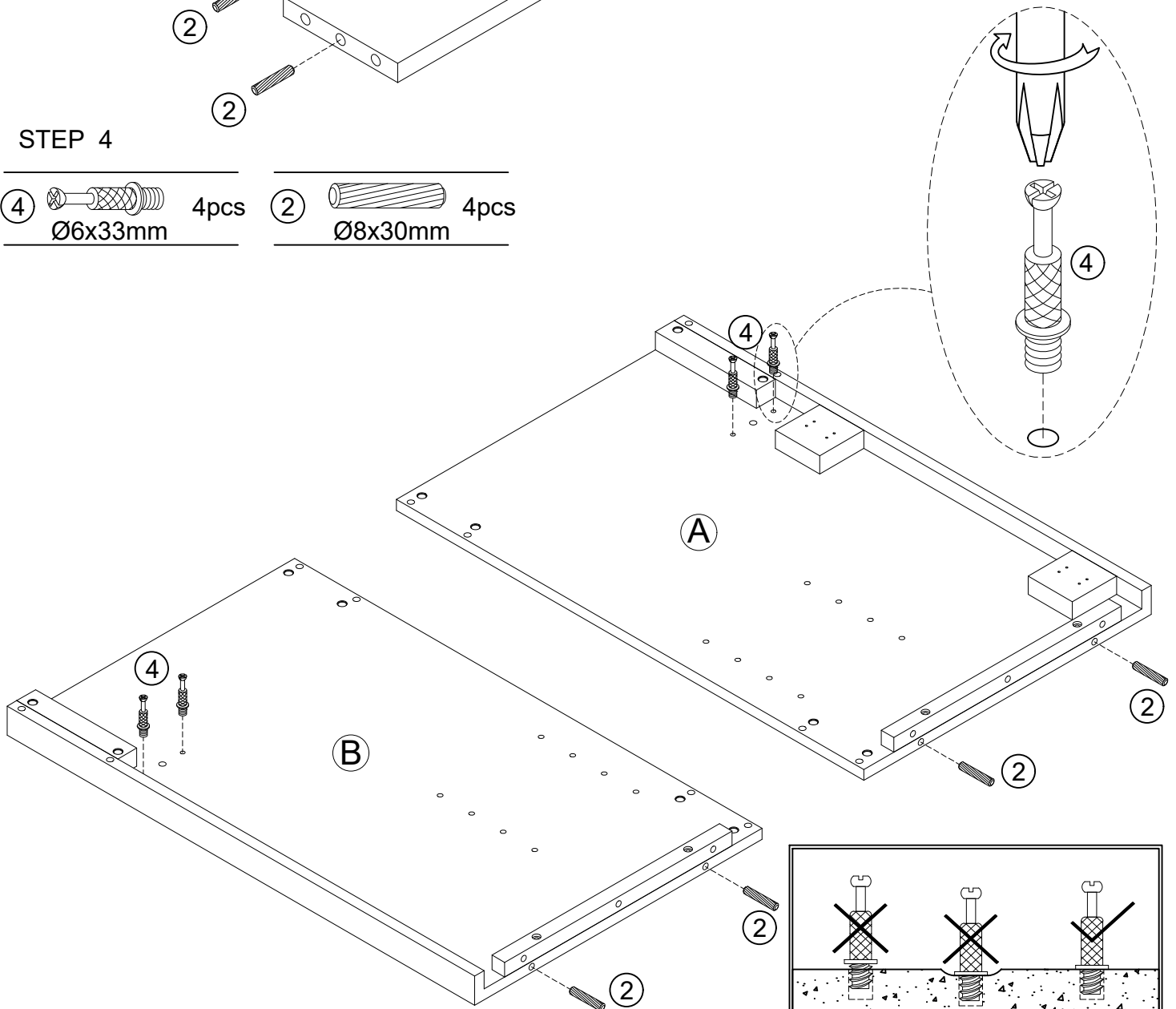
- ②  6pcs
Ø8x30mm




STEP 4


- ④  4pcs
Ø6x33mm

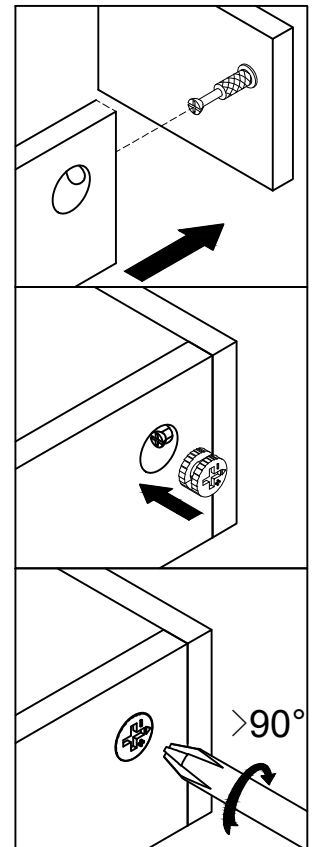
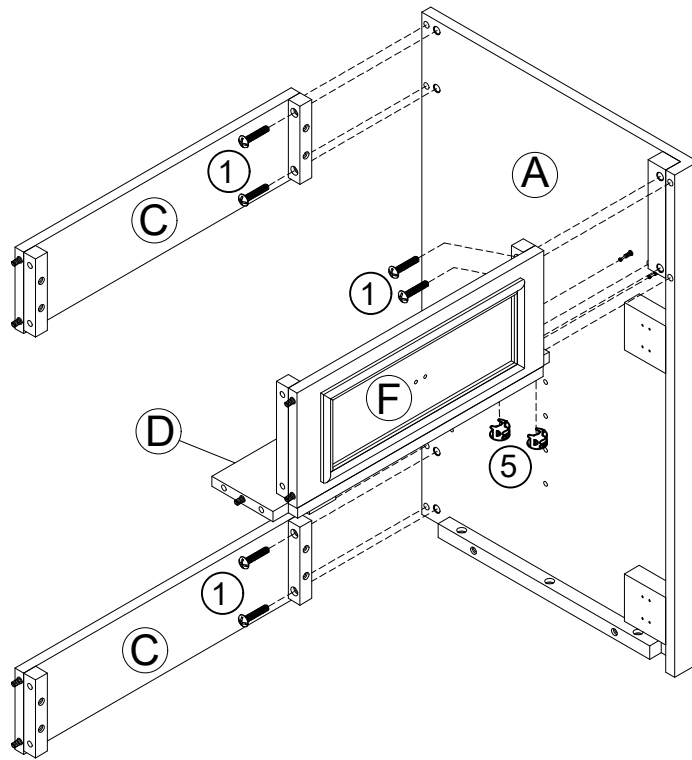
- ②  4pcs
Ø8x30mm




STEP 5

①  6pcs
1/4"x25mm

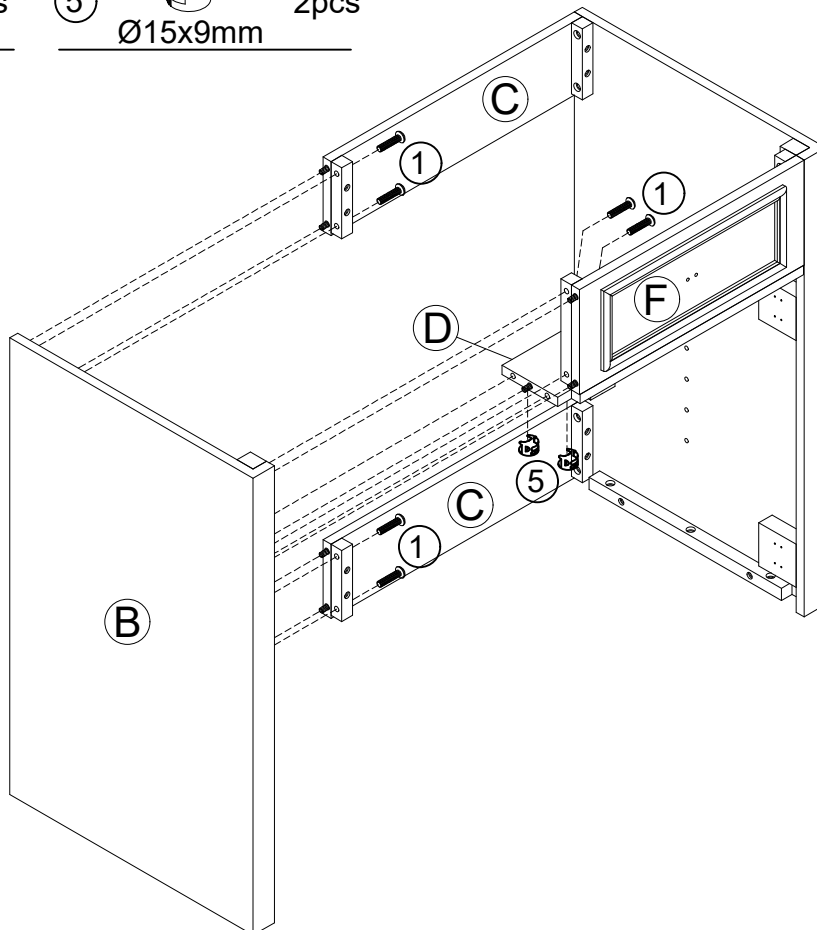
⑤  2pcs
Ø15x9mm




STEP 6

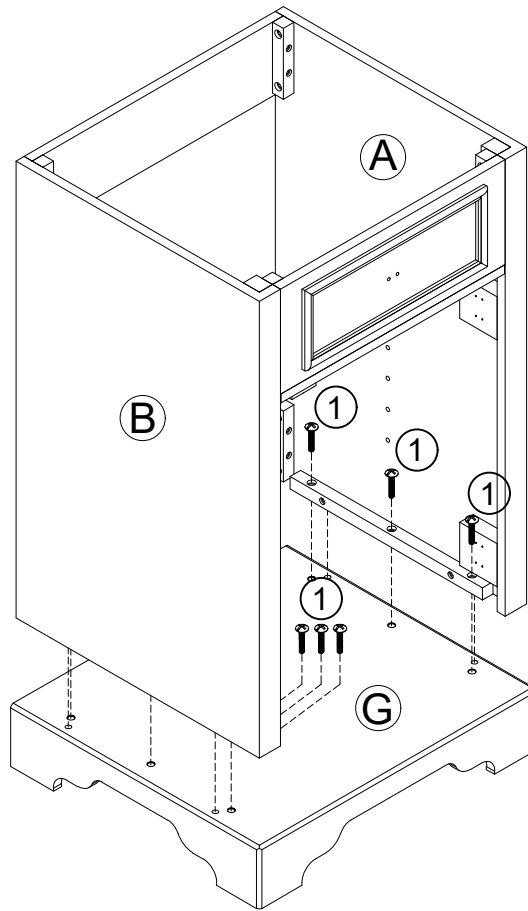
①  6pcs
1/4"x25mm

⑤  2pcs
Ø15x9mm




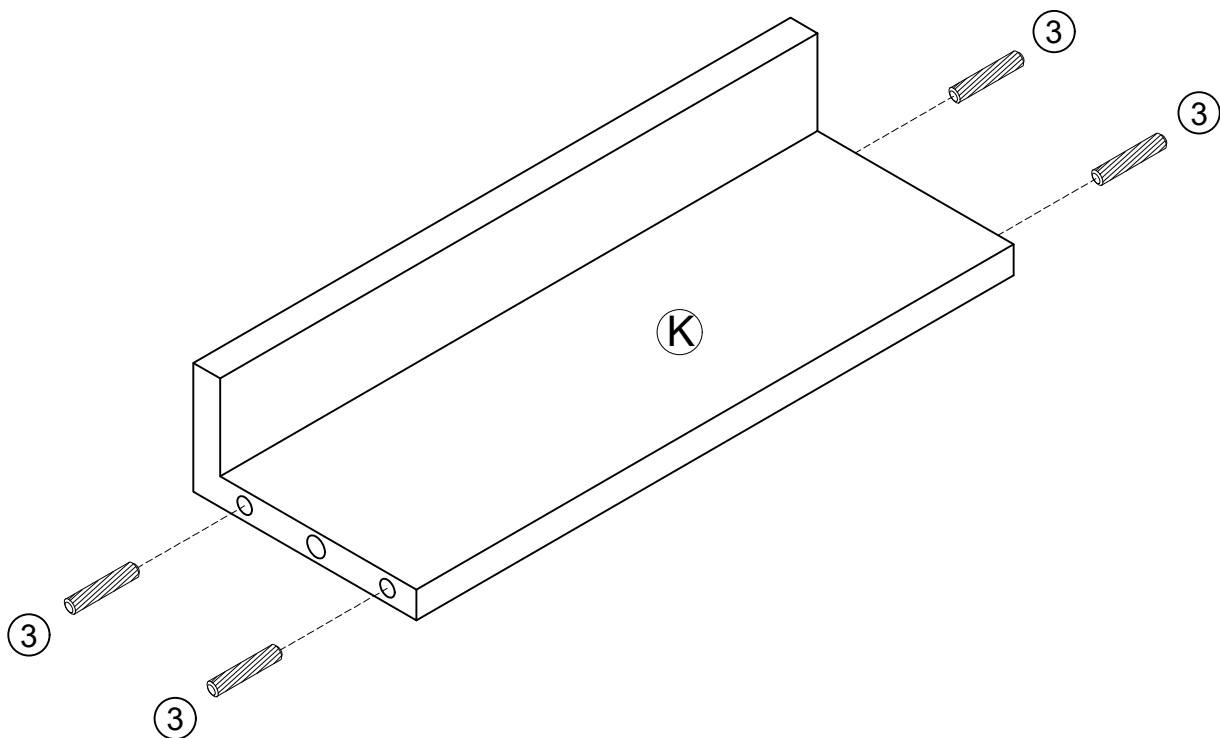
STEP 7

- ①  6pcs
1/4"x25mm



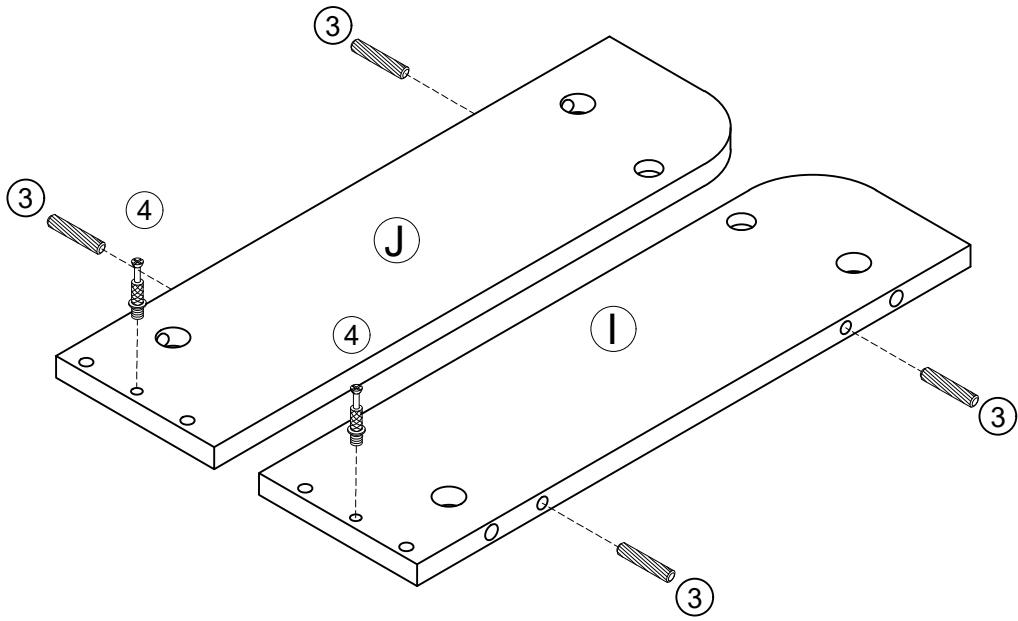
STEP 8

- ③  4pcs
Ø6x30mm



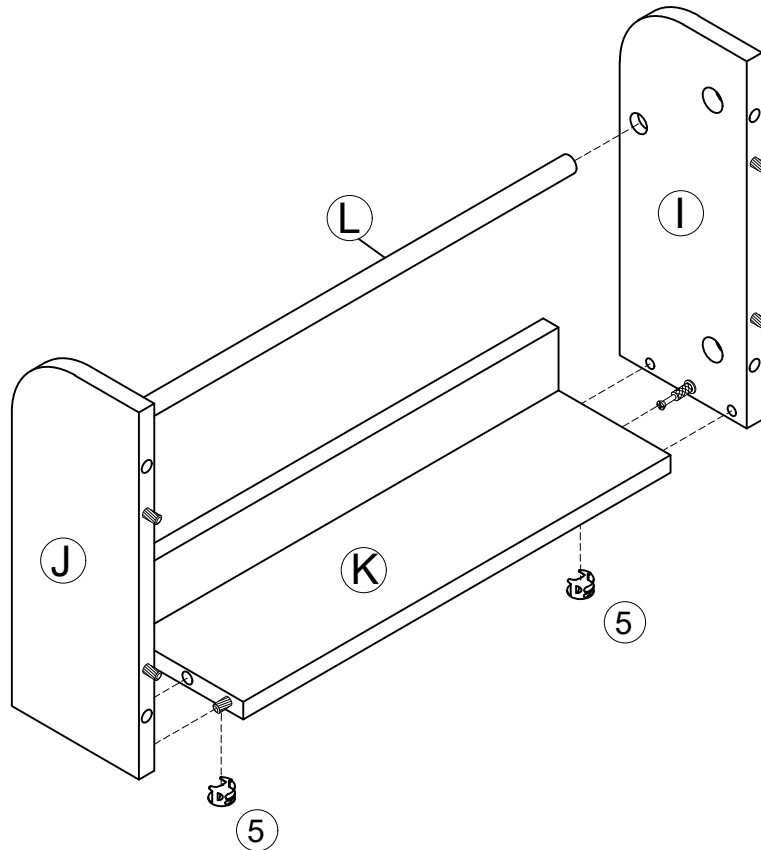
STEP 9

- ③  4pcs
Ø6x30mm
- ④  2pcs
Ø6x33mm


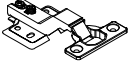



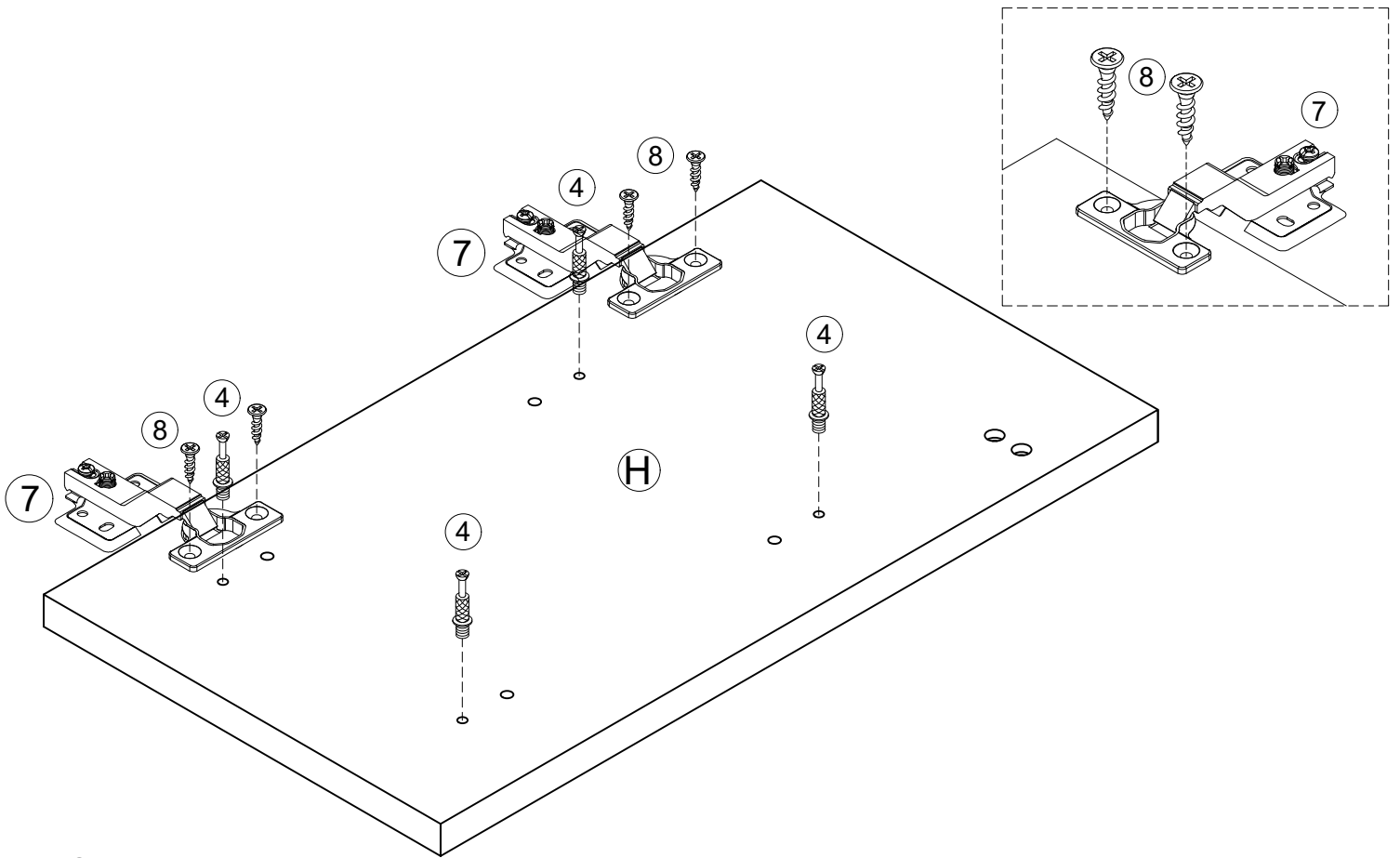
STEP 10

- ⑤  2pcs
Ø15x9mm



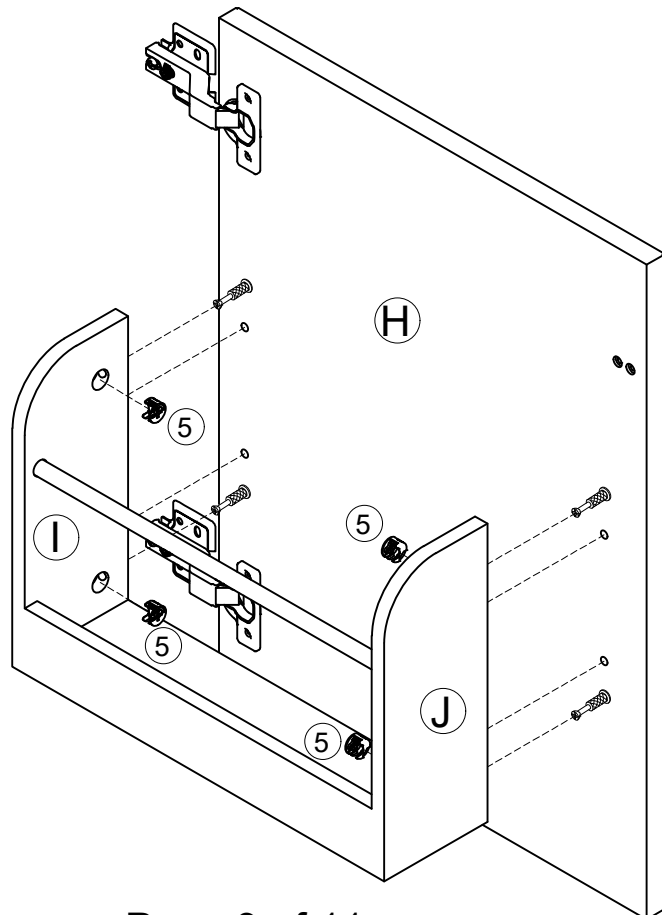
STEP 11

- ④  4pcs $\text{Ø}6 \times 33\text{mm}$
- ⑦  2pcs
- ⑧  4pcs $\text{Ø}4 \times 12\text{mm}$




STEP 12

- ⑤  4pcs $\text{Ø}15 \times 9\text{mm}$

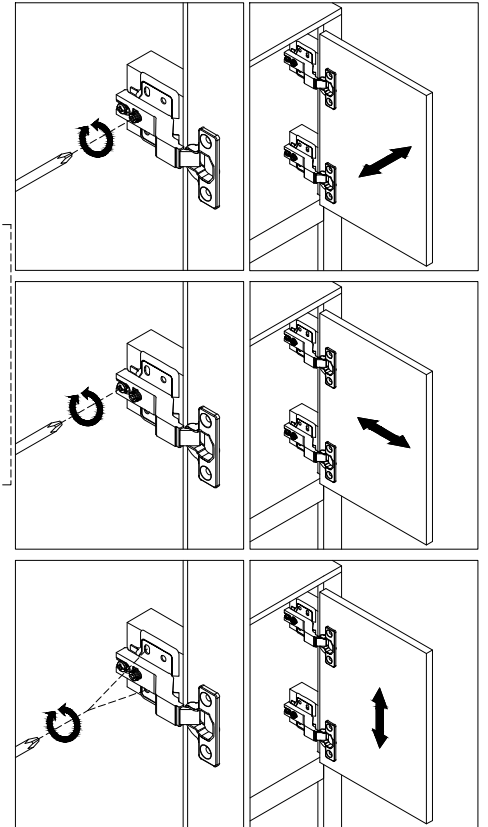
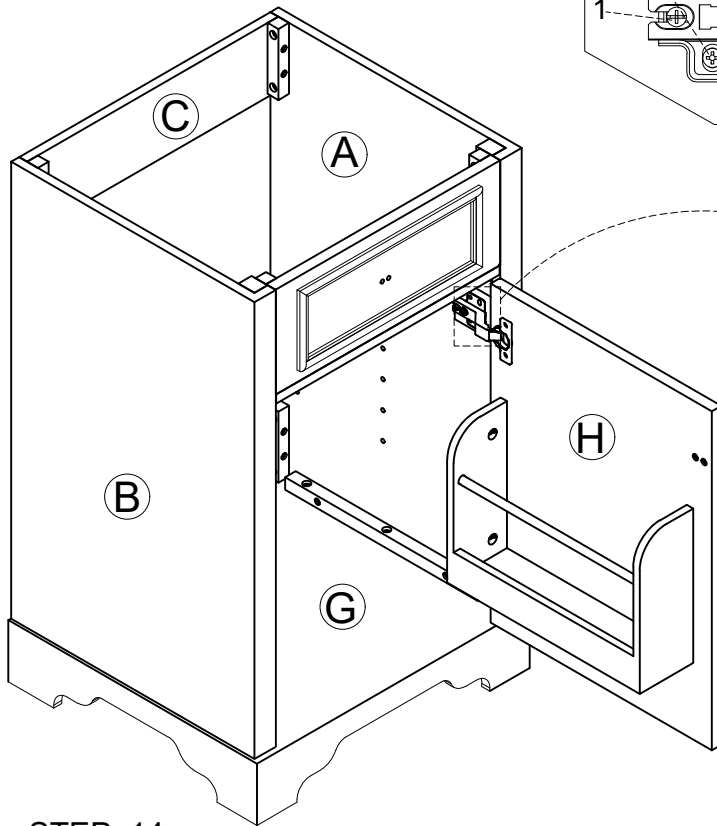


STEP 13

⑧  8pcs
Ø4x12mm


Three-way adjustable hinge for perfectly aligned doors

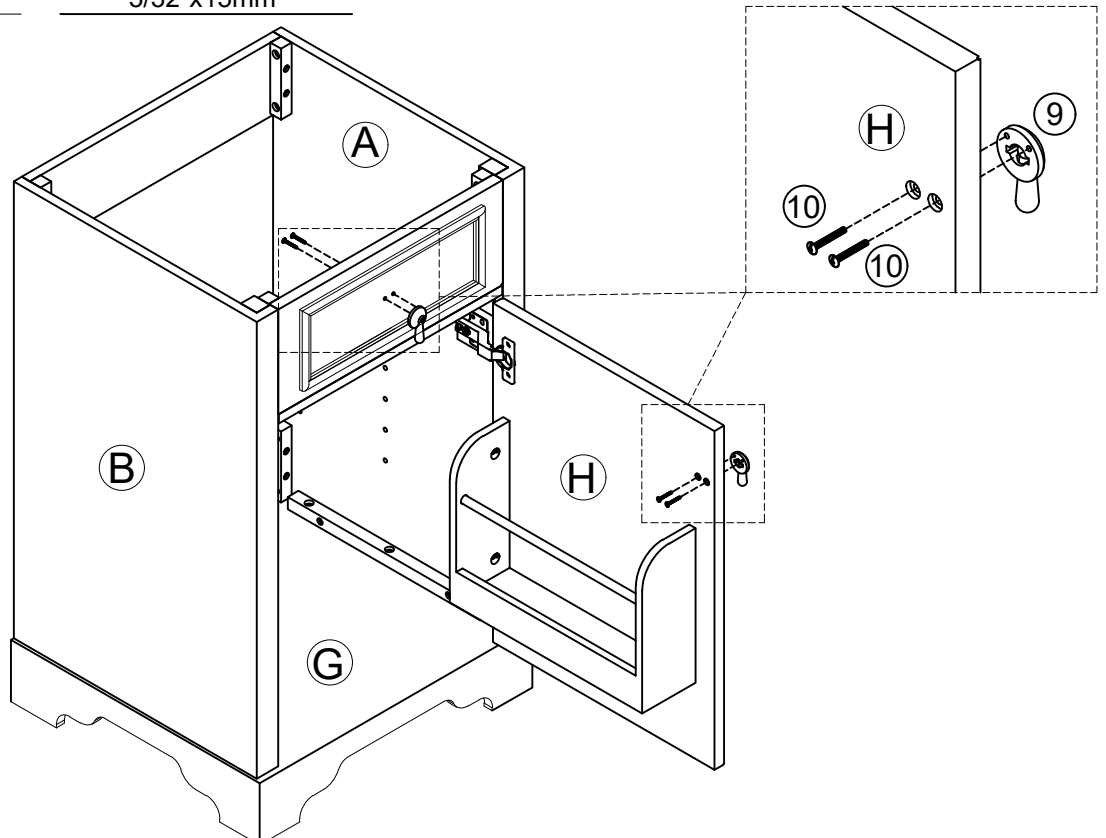
1. TO ADJUST DOOR FORWARD OR BACKWARD.
2. TO ADJUST DOOR TO RIGHT OR TO LEFT.
3. TO ADJUST DOOR UP OR DOWN.



STEP 14

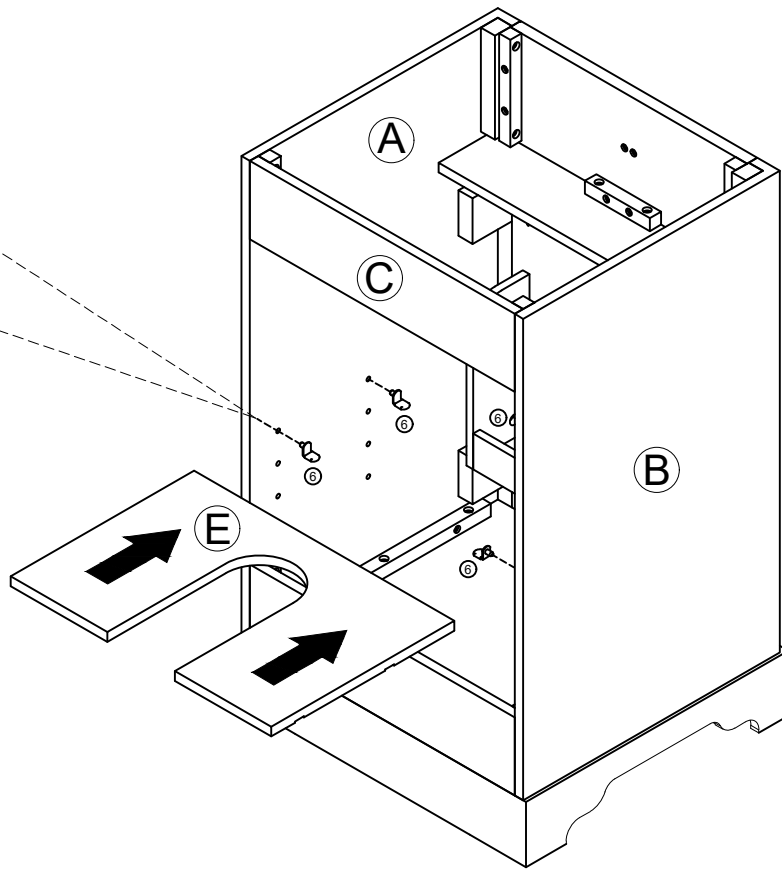
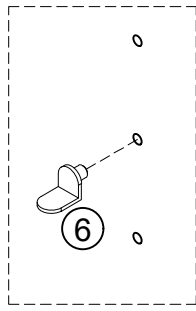
⑨  2pcs

⑩  4pcs
5/32"x15mm

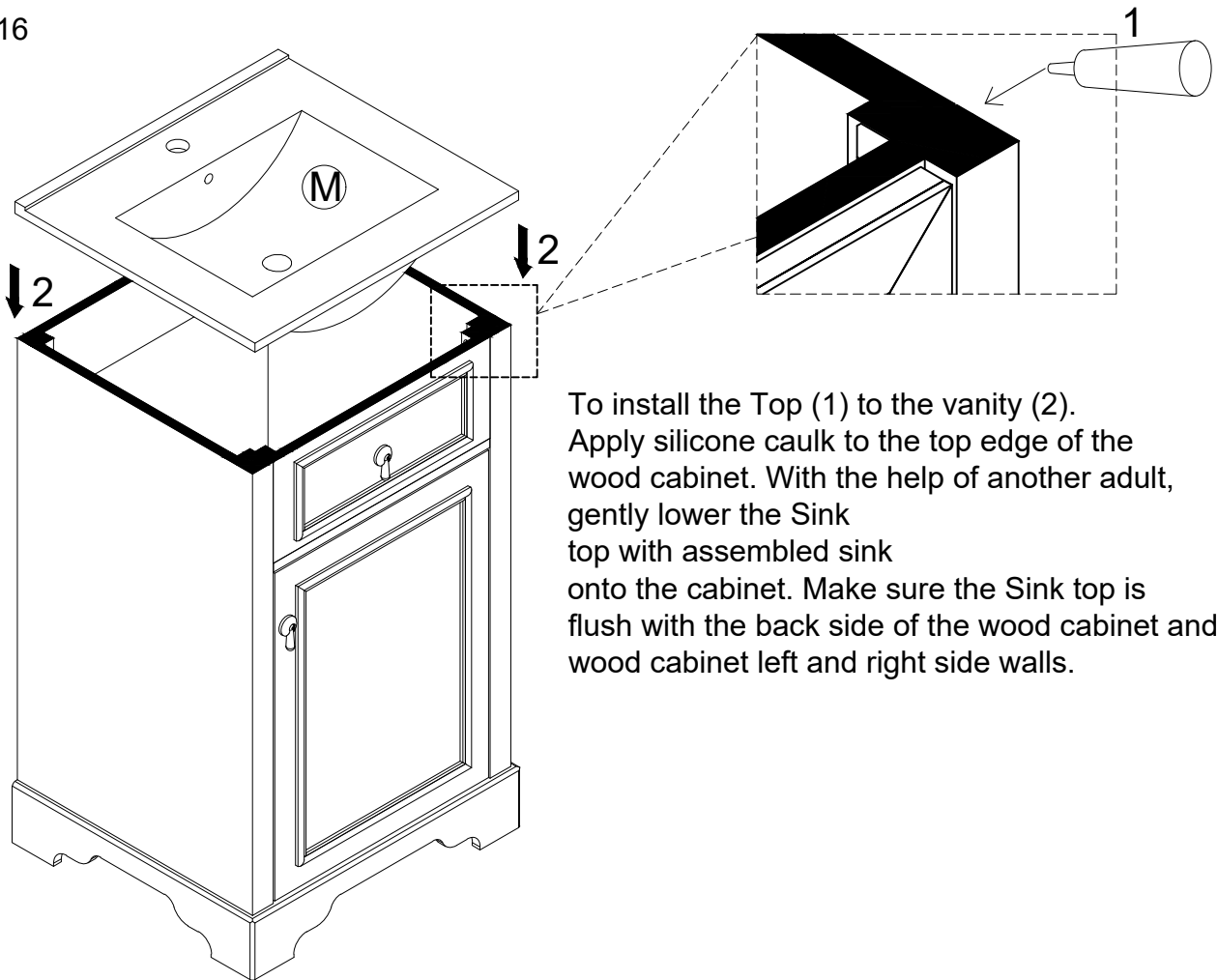


STEP 15

⑥ 4pcs



STEP 16



To install the Top (1) to the vanity (2). Apply silicone caulk to the top edge of the wood cabinet. With the help of another adult, gently lower the Sink top with assembled sink onto the cabinet. Make sure the Sink top is flush with the back side of the wood cabinet and the wood cabinet left and right side walls.