
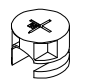
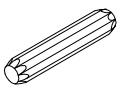

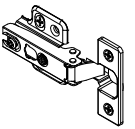
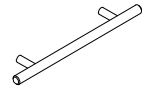



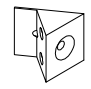
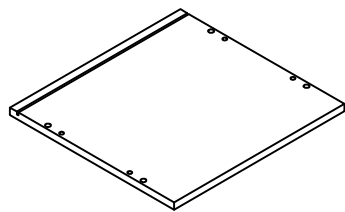


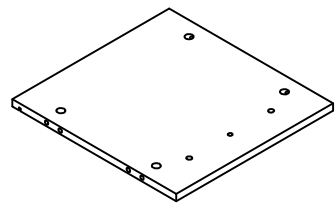
<p>A</p>  <p>24PCS</p>	<p>B</p>  <p>24PCS</p>	<p>C</p> <p>8*40</p>  <p>9PCS</p>	<p>D</p> <p>3.5*14</p>  <p>24PCS</p>	<p>E</p>  <p>4PCS</p>	<p>F</p>  <p>1PCS</p>	<p>G</p> <p>4*22</p>  <p>2PCS</p>	<p>H</p>  <p>8PCS</p>	<p>I</p> <p>3*12</p>  <p>10PCS</p>	<p>J</p>  <p>10PCS</p>
---	---	--	---	---	--	--	--	---	---

1



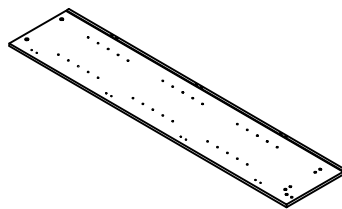
400\*385 1PS

2



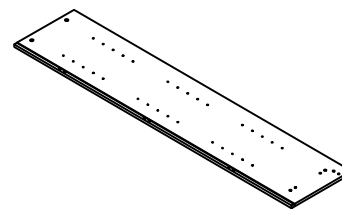
368\*385 1PS

3



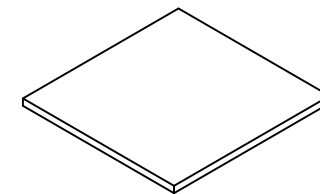
1785\*385 1PS

4



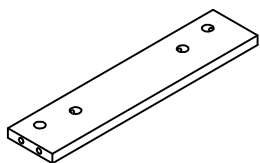
1785\*385 1PS

5



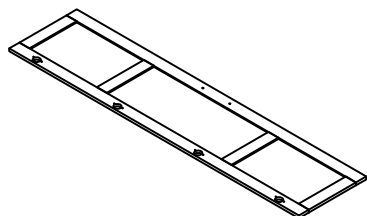
365\*335 2PS

6



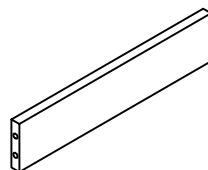
368\*80 1PS

7



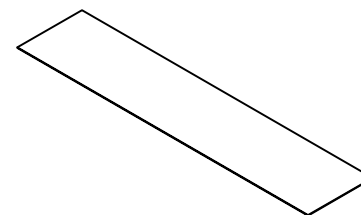
1720\*400 1PS

8



368\*80 1PS

9



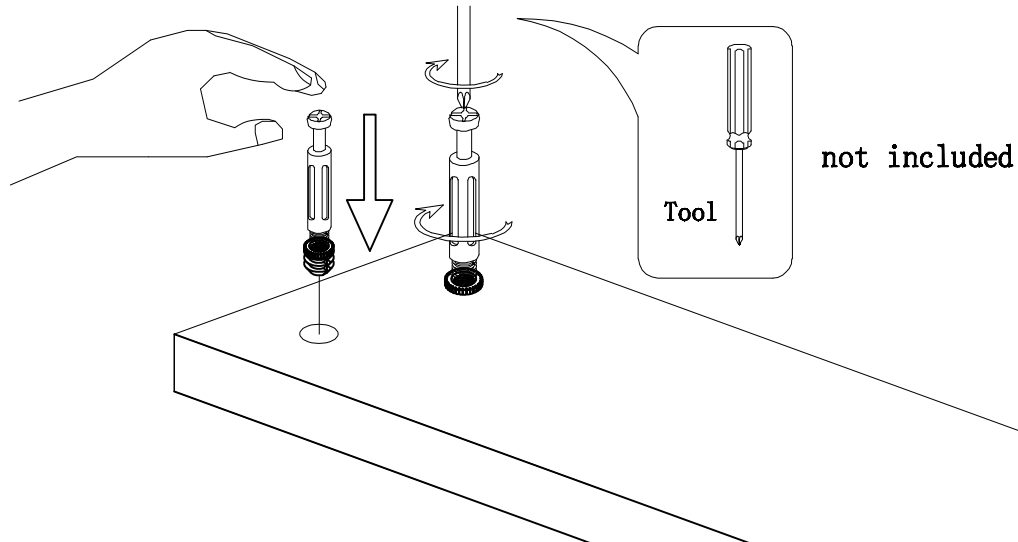
1700\*378 1PS



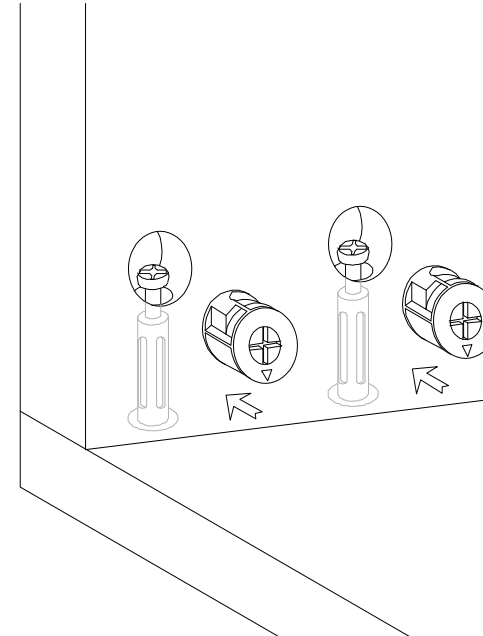
## Hardware installation demonstration

NOTE: Please make sure "A" hardware tightened and can't be pulled out!

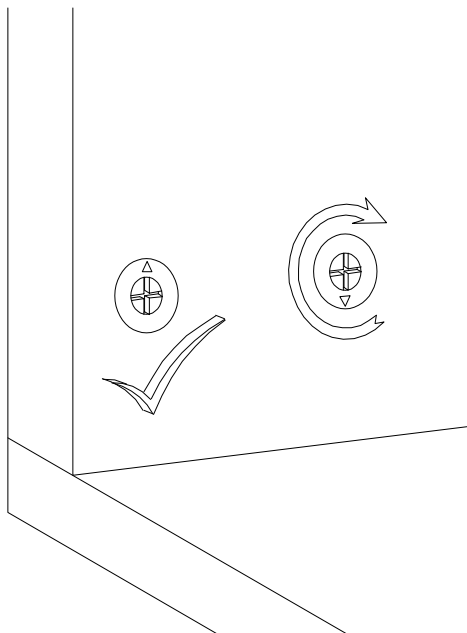
I



II



III

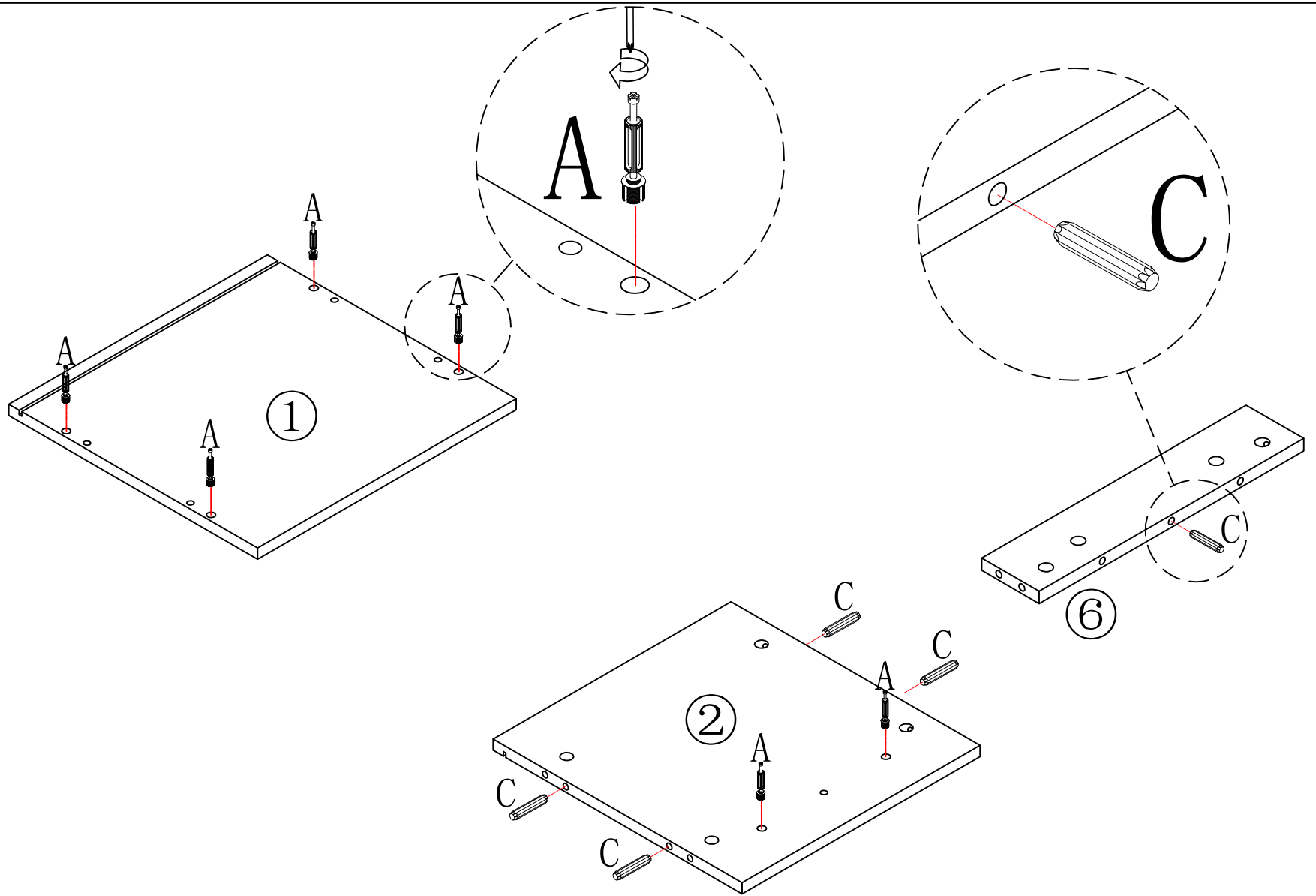



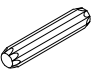
IV



Scan QR code for assembly video

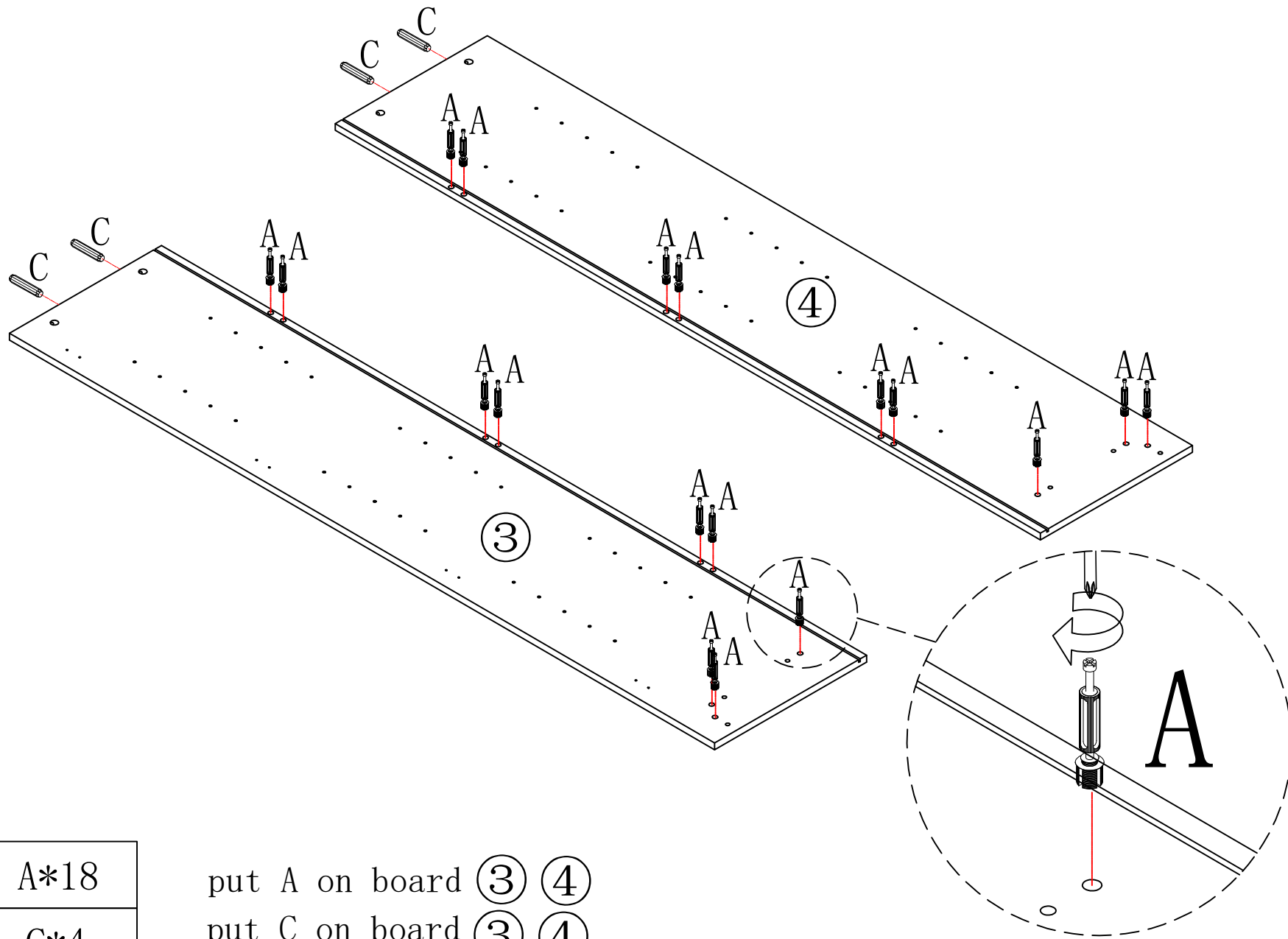
①


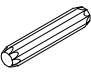


	A*6
	C*5

put A on board ① ②  
put C on board ⑥

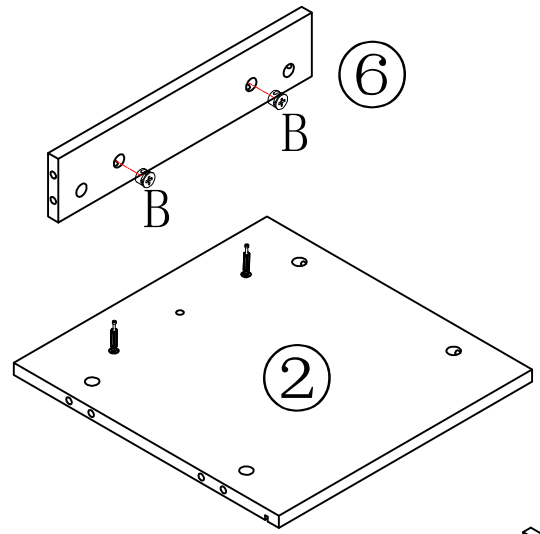
2



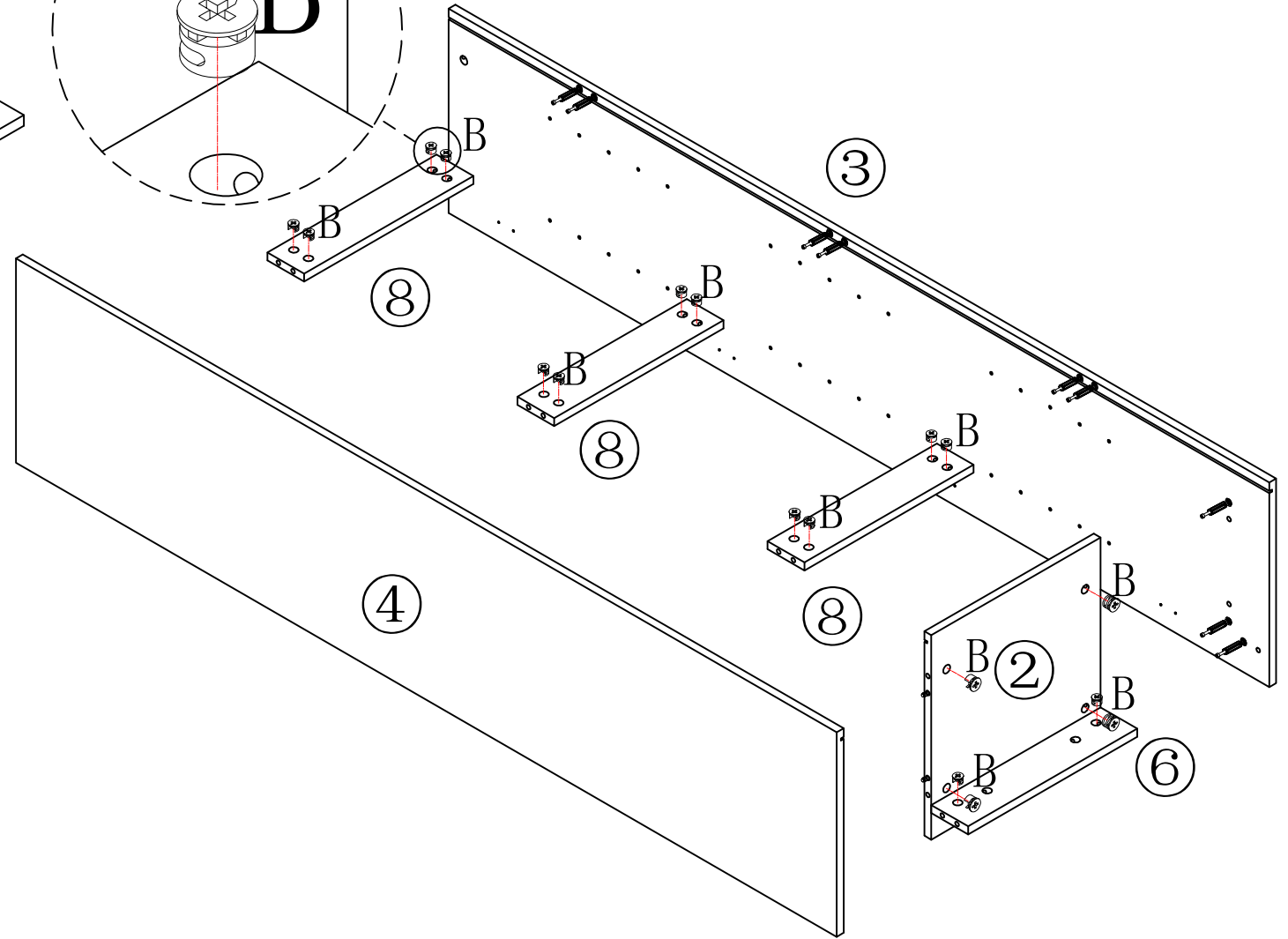
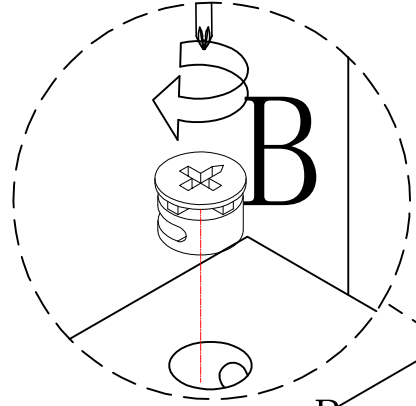
	A*18
	C*4

put A on board ③ ④  
put C on board ③ ④

3



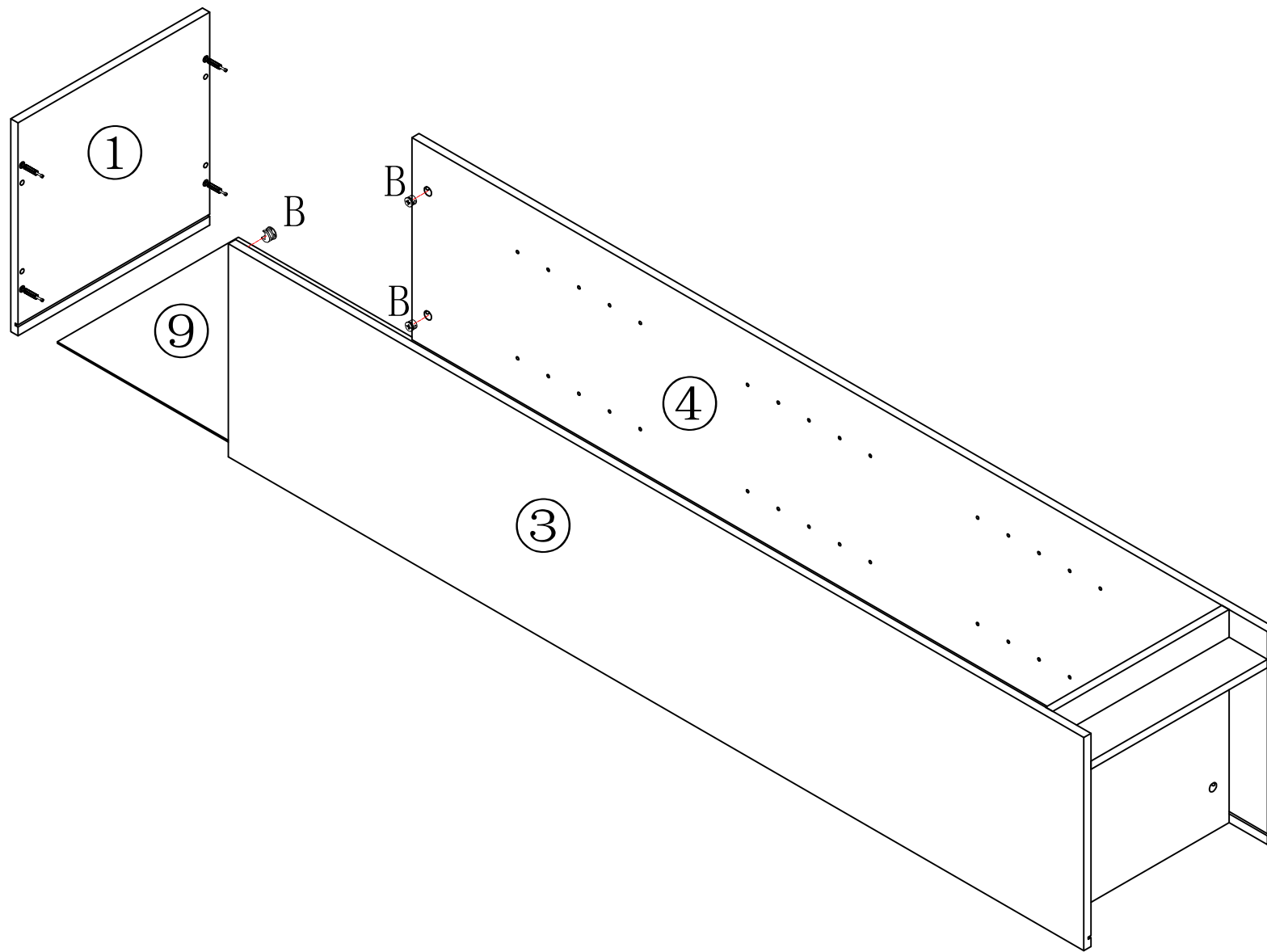
Make sure the arrow on the screw align to the hole on the side



B\*20

put B on board 2 6 8

4

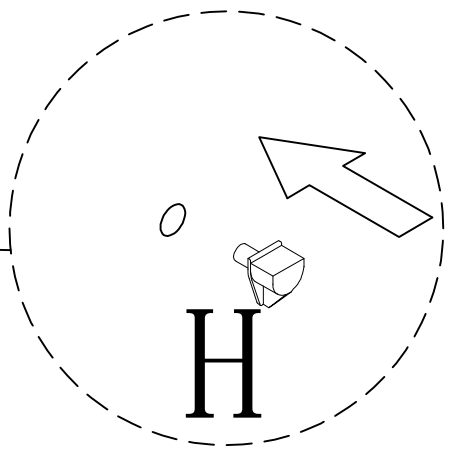
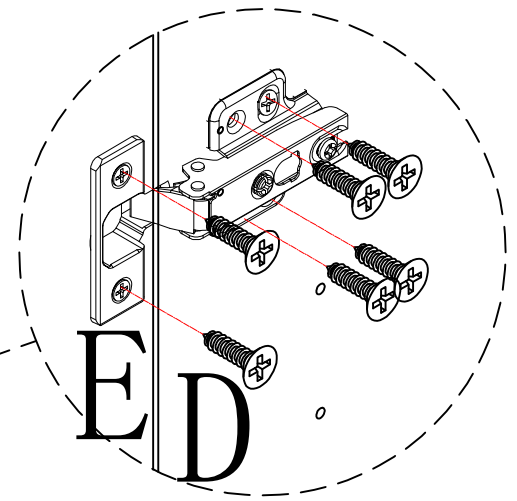
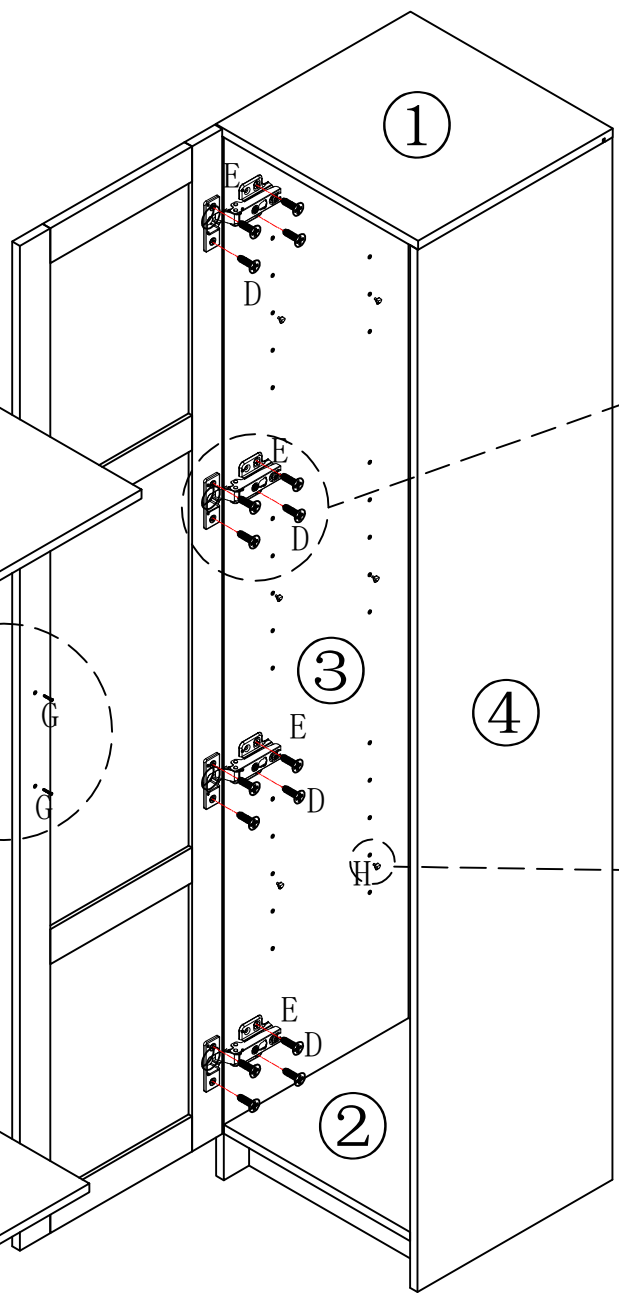
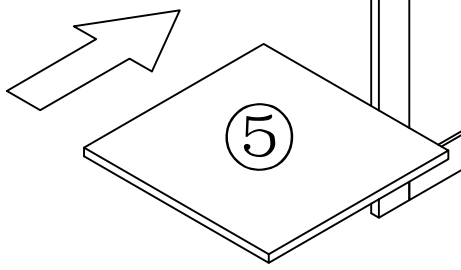
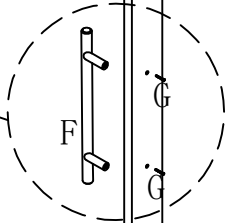
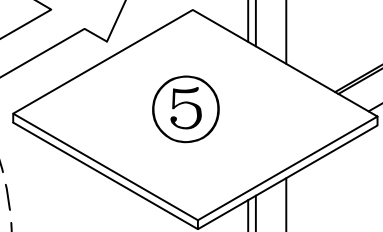
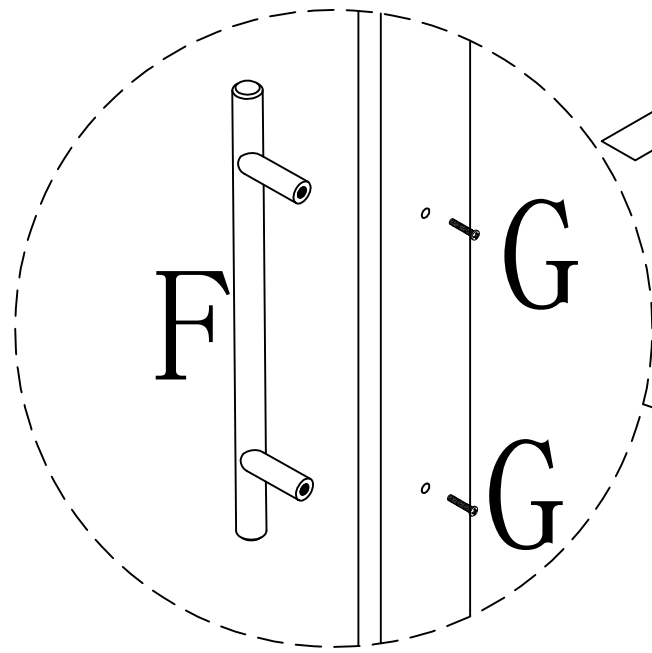


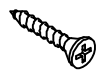
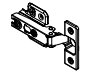
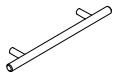

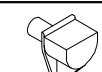
put B on board ③ ④



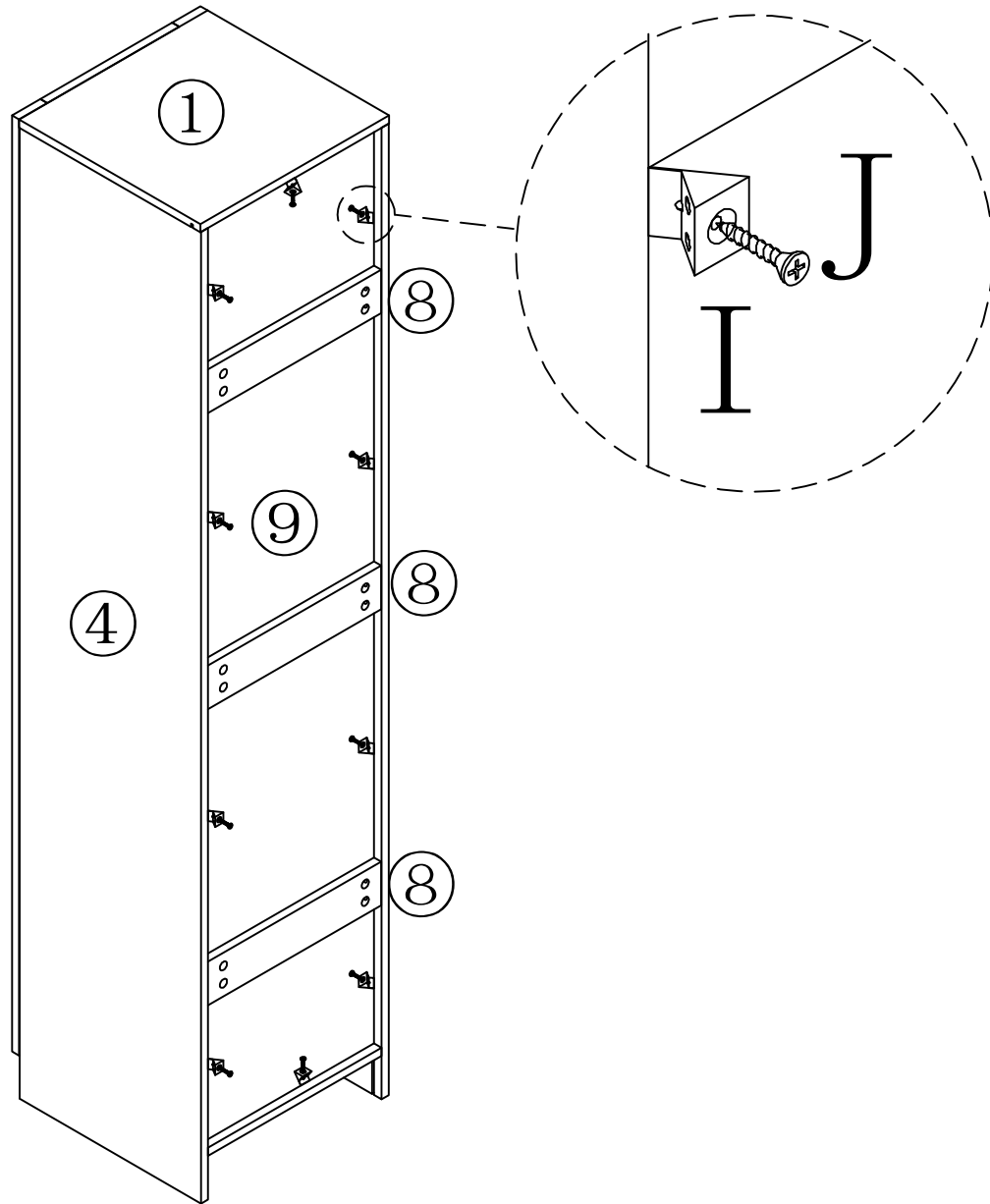
B\*4

5



	D*24
	E*4
	F*1
	G*2
	H*8

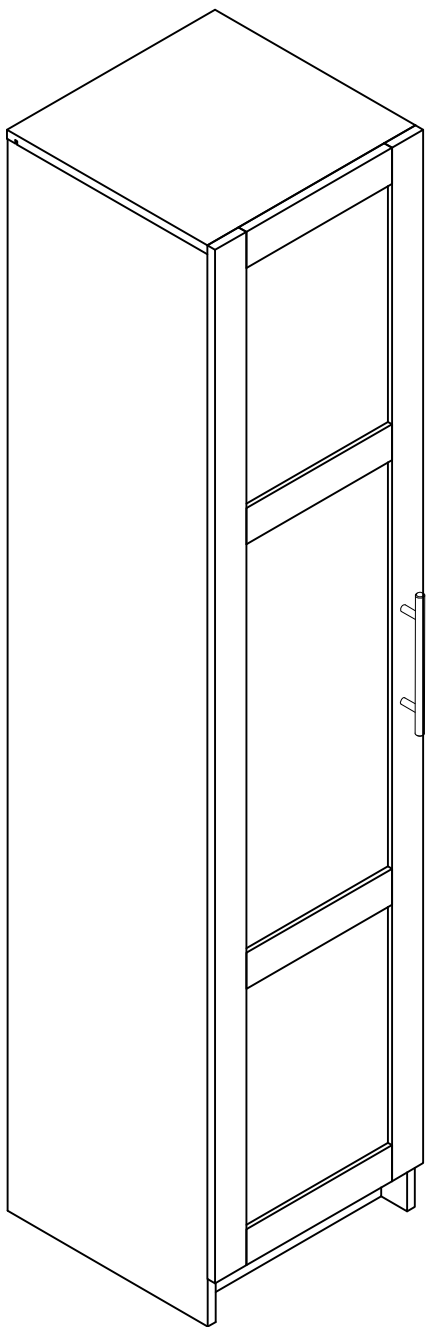
6



I\*10



J\*10



END