

## Assembly Instructions

### PACKAGED

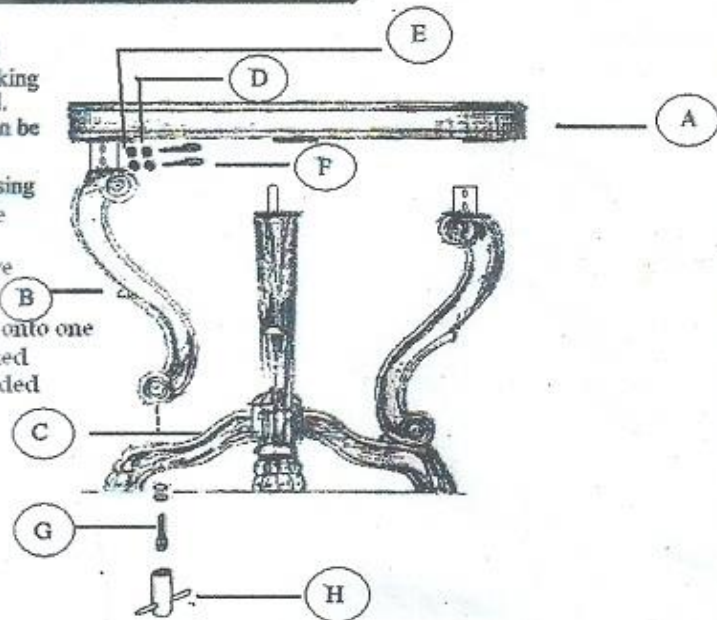
- |                       |                                    |
|-----------------------|------------------------------------|
| (A) 1 - Table Top     | (E) 12 - Lock Washers              |
| (B) 4 - Legs          | (F) 8 - 3/8 X 2 1/2 Machine Screws |
| (C) 1 - Base Assembly | (G) 4 - 3/8 X 3 Machine Screws     |
| (D) 12 - Flat Washers | (H) 1 - Socket Wrench              |

### Read all instructions before starting assembly.

**Step #1** Remove all the contents from the package checking that all of the components listed in "Packaged" are included. Prepare a flat, protected work surface where the product can be assembled.

**Step #2** Carefully lay Table Top (A) upside down exposing the underside. Align Leg (B) into apron notch so that the threaded insert holes of Leg (B) match up with the corresponding holes in the apron block (Note: Legs are letter-marked for proper location).

Attach one Lock Washer (E) and one Flat Washer (D) onto one Machine Screw (F). Push machine screws with attached washers thru hole in Apron until it engages the threaded insert hole of Apron. Install second Machine Screw (F) and its washers in the same manner and securely tighten Machine Screw (F) using socket wrench (H). Repeat procedure for attaching remaining legs (B).



**Step #3** Carefully align Base Assembly (C) upside down over matching holes in Leg (B). Push thru base one Machine Screw (G) with one Lock Washer (E) and Flat Washer (D) into threaded insert and loosely tighten. Repeat procedure for remaining machine screw and finally securely tighten.

**Step #4** Lift assembled table into upright position. Two people required.

(\* Caution: DO NOT OVERTIGHTEN.

In any correspondence regarding this product, please include the complete identification number located on the underside of the product.

We hope this Foyer Table will be a useful and decorative addition to your home for years to come.