

# INSTALLATION GUIDE

## WARNINGS AND CAUTIONS

### READ AND SAVE THESE INSTRUCTIONS

Please read and understand this entire manual before attempting to assemble, install or operate the product.

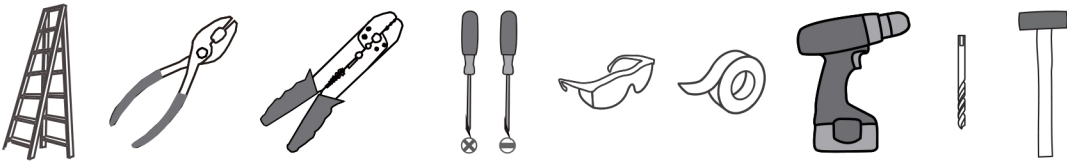
#### WARNING

- RISK OF ELECTRIC SHOCK - Before beginning installation, turn off electricity at the circuit breaker box or the main fuse box.
- RISK OF FIRE - The voltage used shall be compliant with the marking on the luminaire.
- RISK OF PERSONAL INJURY - DO NOT bend the blades when installing the fan, or cleaning the fan. Do not insert foreign objects in between rotating fan blades.
- RISK OF FIRE, ELECTRIC SHOCK, OR PERSONAL INJURY - mount to outlet box marked and use mounting screws provided with the outlet box.
- All set screws must be checked, and re-tightened where necessary, before installation.
- After making the wire connections, the wires should be spread apart with the grounded conductor and the equipment-grounding conductor on one side of the outlet box and the ungrounded conductor on the other side of the outlet box.

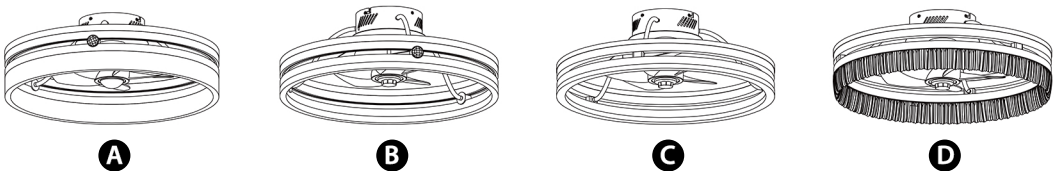
#### CAUTION

- For your safety, read instructions completely before beginning installation.
- If in doubt about electrical installation, consult a licensed electrician.
- Please disconnect the power supply of the luminaire before cleaning.

#### TOOLS REQUIRED



#### MODEL

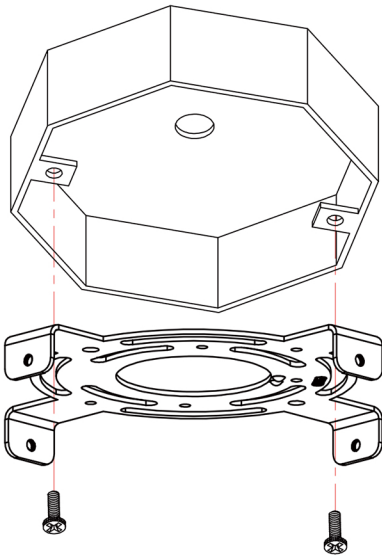


#### CARE AND MAINTENANCE

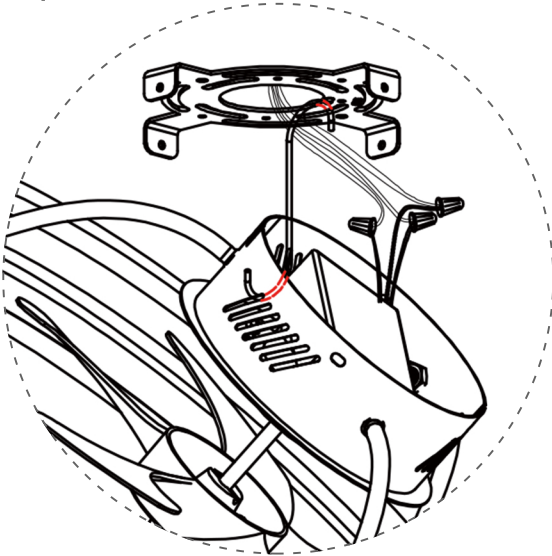
- Wipe clean using soft, dry cloth or static duster. Always avoid using harsh chemicals and abrasives to clean fixture as they may damage the finish.

# INSTALLATION

- 1.** Remove the mounting plate from the ceiling canopy and fix it to the junction box with screws.

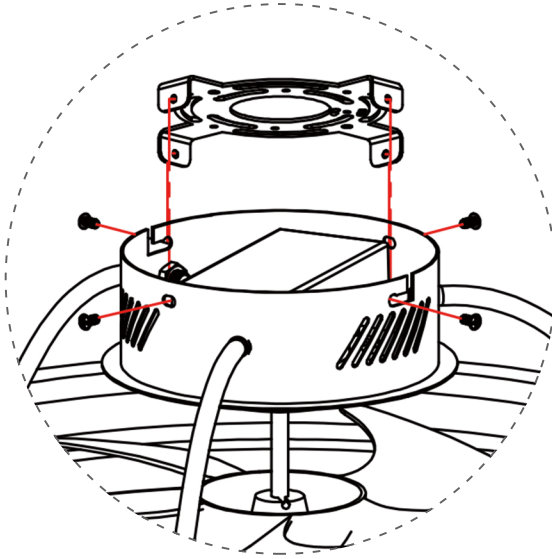


- 2.** Hang the steel wire rope hook inside the ceiling canopy onto the mounting plate, then connect the wires (live wire, neutral wire, ground wire).

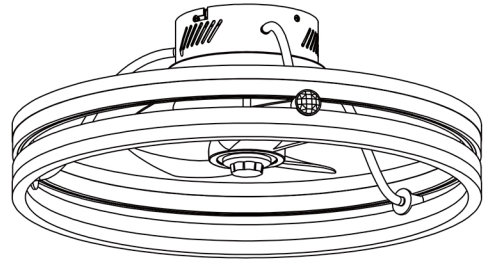
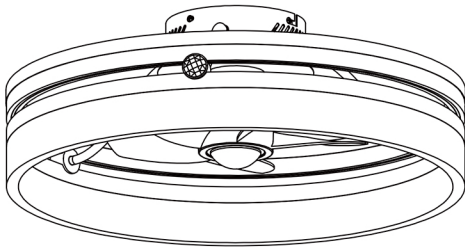


## INSTALLATION

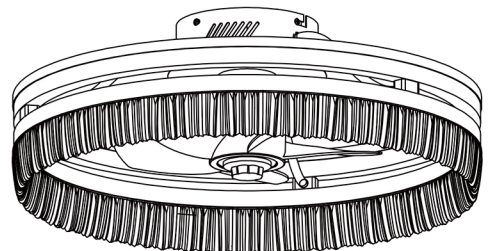
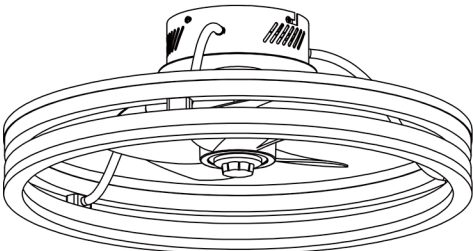
- 3.** Fasten the ceiling canopy to the mounting plate with screws, and secure the luminaire to the ceiling.



- 4.** Installation is successfully completed. We hope this light brings you wonderful lighting experiences.



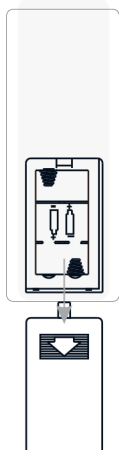
A B  
C D



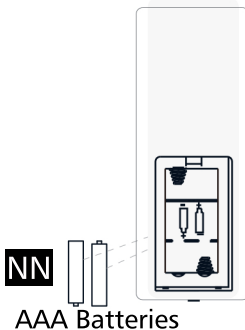


# Remote Control Instruction

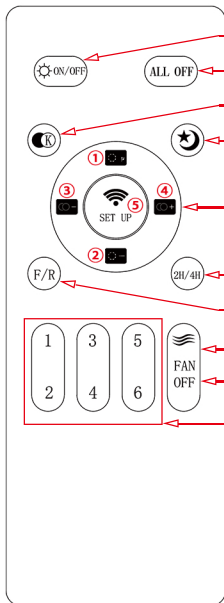
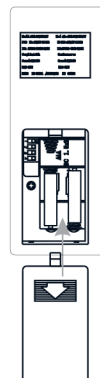
**1**  
Remove the back cover



**2**  
Installing the battery



**3**  
Close the back cover



LIGHT ON/OFF

ALL OFF

3-COLOR TEMP SWITCH

NIGHT MODE

①: DIM+    ②: DIM-

③: COLOR TEMP-    ④: COLOR TEMP+    ⑤: PAIR

2H/4H TIMER

FORWARD /REVERSE

FAN ON

FAN OFF

FAN SPEED

**Remote Control Pairing Instructions:**

(If the remote is not working, please refer to this method)

First, turn off the wall switch to completely cut power to the fan. Then, turn the wall switch back on.

Within 3 seconds after turning the power back on, point the remote at the fan and press and hold the "SET UP" button (top left corner of the remote) for 3-5 seconds.

If the fan light flashes, the pairing is successful.

Your installation is now complete. Save this sheet for future