






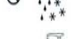




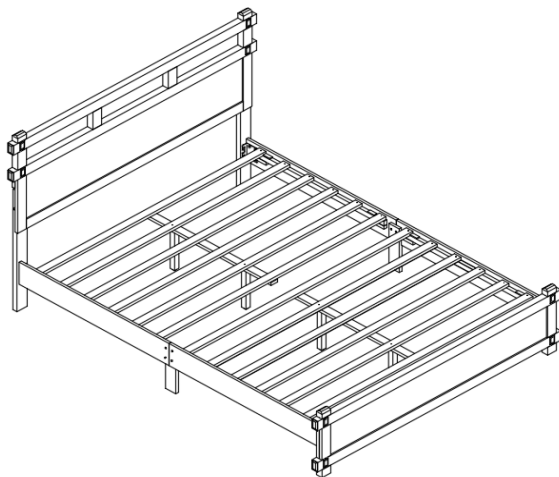
Assembly Instructions

Caution: You must read this before you proceed

Care & Maintenance

-  ● Not for commercial use. For residential use only.
 -  ● Do not put hot items directly on furniture surface.
 -  ● Do not clean furniture with harsh cleansers or polish.
 -  ● Do not place furniture under direct sunlight.
 -  ● Do not place furniture near heating or cooling vents.
 -  ● Do not write on furniture without a padded barrier to protect the surface.
 -  ● Do not place furniture outside . For indoor use only.
 -  ● Stains may be removed with mild soap solution and damp cloth.
 -  ● Children should not climb or jump on the furniture.
-  ● Dust and pick-up spills using a clean, non-colored, lint-free cloth.

Queen Bed





WARNING

STRANGULATION HAZARD.

NEVER place bed near windows where cords from blinds or drapes may strangle a child.
 NEVER suspend strings over bed.
 NEVER place items with a string, cord, or ribbon, such as hood strings or pacifier cords, around a child's neck. These items may catch on bed parts.
 ALWAYS follow assembly instructions.



WARNING!

Not intended for children under the age of six. INFANTS HAVE DIED FROM BECOMING ENTRAPPED IN BEDS. Openings in and between bed parts can entrap the neck and head of a small child. NEVER use bed for child under the age of six.

The mattress must be appropriately sized for the bed. If the mattress is undersized, dangerous gaps can exist and a person can become entrapped or entangled in the frame and suffocate.





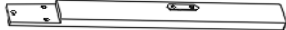
Note: This Bed is NOT a TOY.










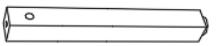
Keep your child/children at bay during the assembly process.

The BED is HEAVY.








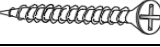
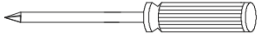
To prevent injury to yourself or damage to the product a minimum of two adults are required whenever moving or lifting it.

Part List

Label	Picture	Description	QTY
1		Headboard Frame	1
2		Headboard Side Panel	2
3		Headboard Top Rail	1
4		Headboard Center Post	2
5		Headboard Leg L	1

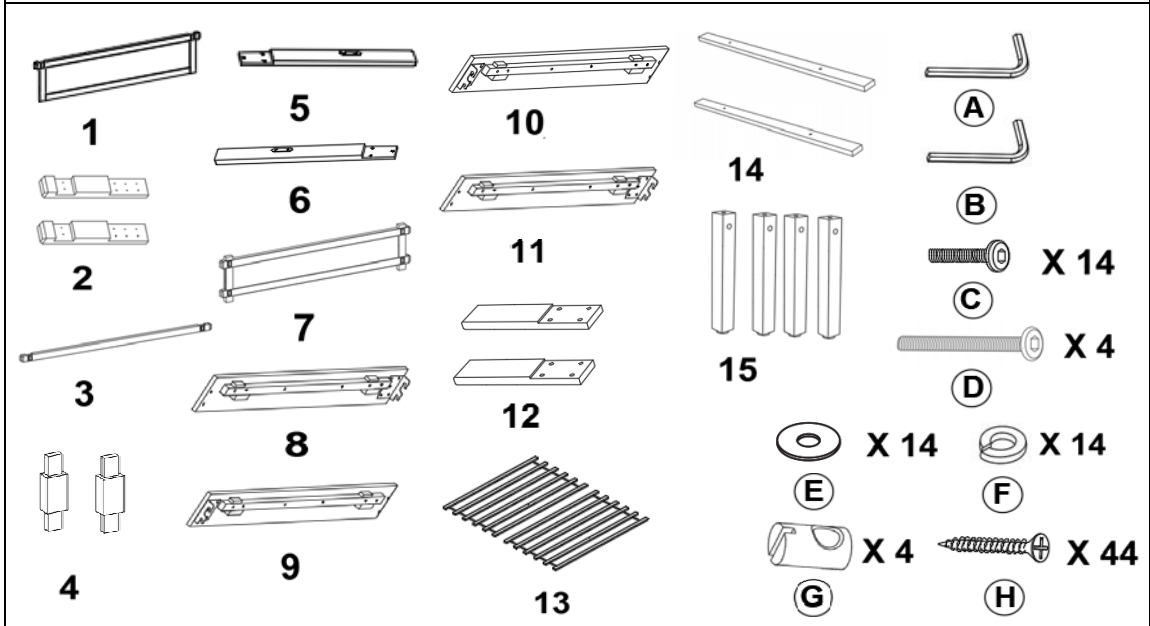
6		Headboard Leg R	1
7		Footboard	1
8		Side Rail (A) Left	1
9		Side Rail (B) Left	1
10		Side Rail (A) Right	1
11		Side Rail (B) Right	1
12		Side Rail Leg	2
13		Bed Slats 6 Pcs	2
14		Bed Center Slats	2
15		Bed Slats Support	4

Hardware

Label	Picture	Description	QTY
(A)		Allen Wrench (M4)	1
(B)		Allen Wrench (M5)	1
(C)		Bolt (M6x30mm)	14 (+1)
(D)		Bolt (M8x80mm)	4
(E)		Flat Washer (M6)	14 (+1)
(F)		Spring Washer (M8)	14 (+1)
(G)		Barrel Nut (M8)	4
(H)		Screw (M4x32mm)	44 (+1)
		Screwdriver (Not provided)	1

Assembly Preparation

Before Beginning Assembly:



- Read instructions, cover to cover-



- Have 2 adults on hand for assembly-



- Do not assemble on flooring or carpet-



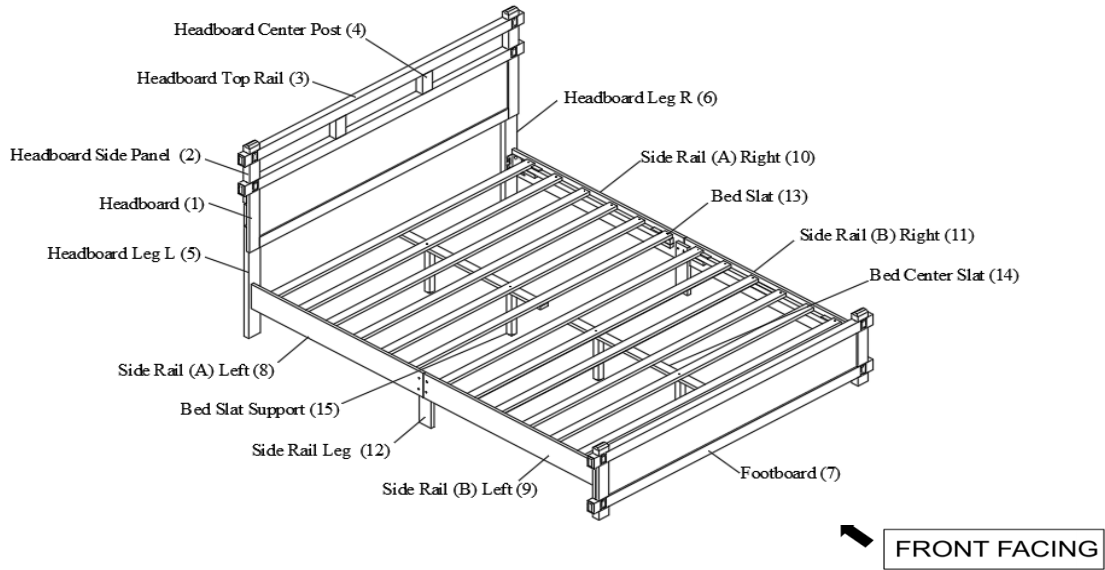
- Assemble on a clean non-marring surface (packing foam)-



- Save all packaging until finished-

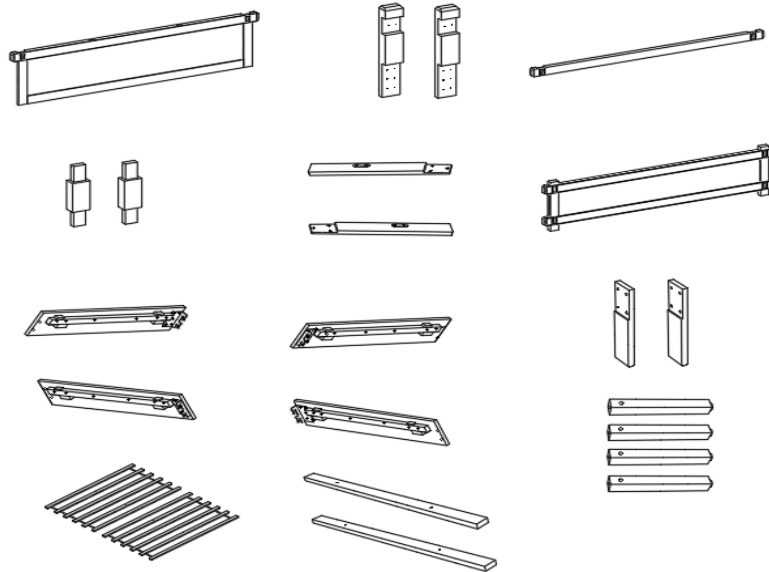
Assembly Steps

Overview



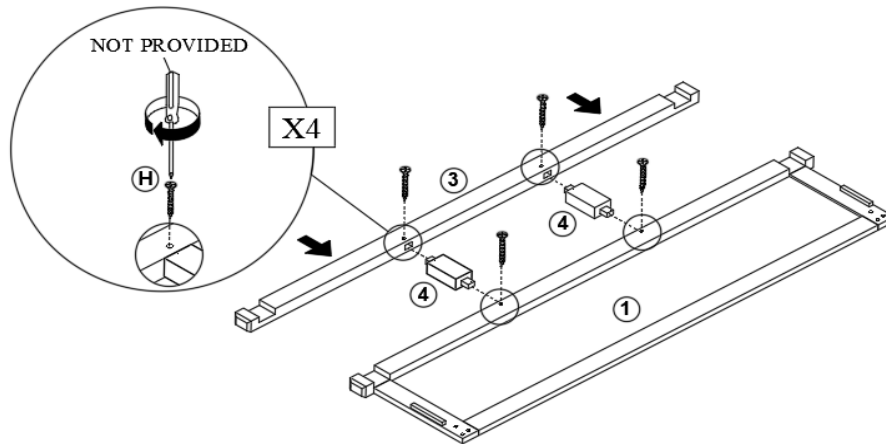
This Bed has multiple parts and may require up to 30 minutes to assemble. To give you an overview of the Bed parts, the above picture is provided to help you put the various parts into perspective. Please read through the instructions below to familiarise yourself with the parts and steps before assembly.

Step 1



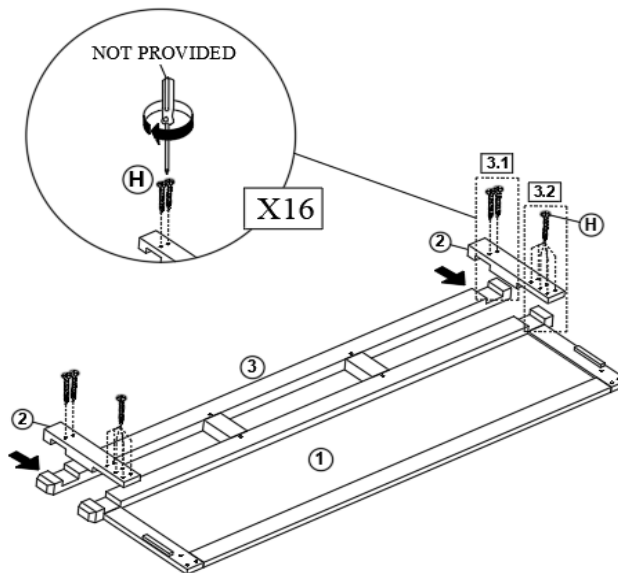
Unpack and place all parts on a clean, non-marring surface.

Step 2



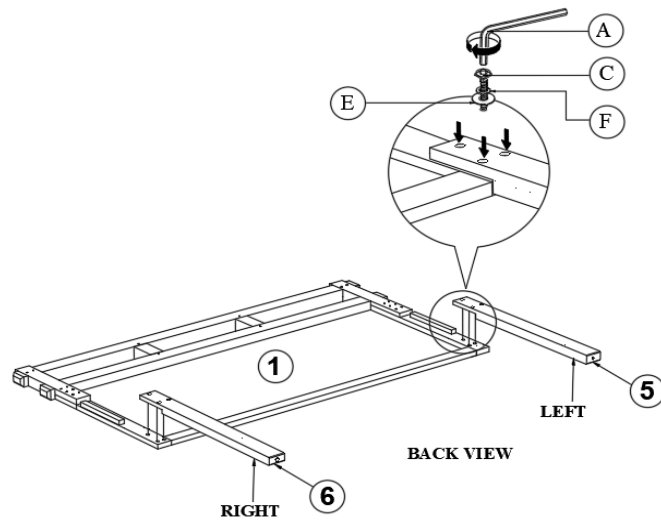
Place the Headboard Frame (1) with its outer side face skywards onto a clean, soft surface to avoid any scratches or damages to the product.
Attach the Headboard Center Post (4) into the Headboard Frame (1) and Headboard Top Rail (3) by using Screws (⊕) and Screwdriver (Not Provided) as shown above.

Step 3



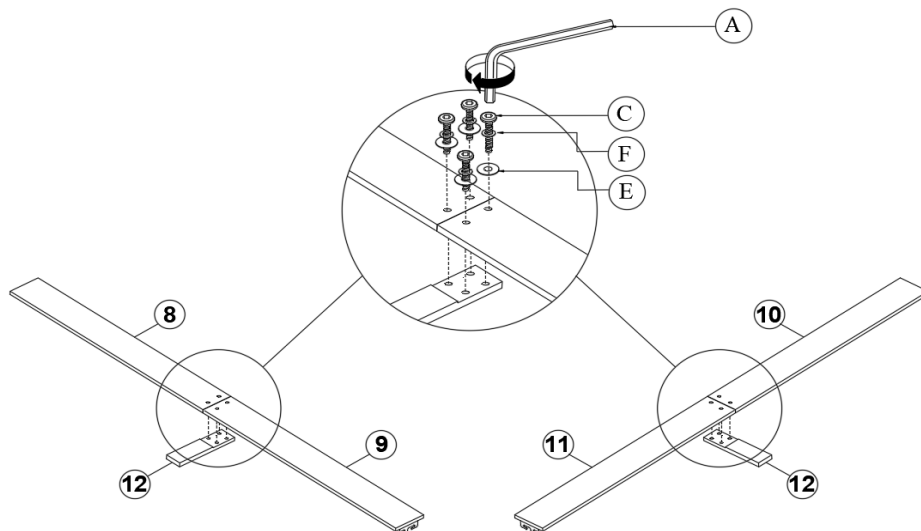
Align the mounting position of Headboard Side Panel (2) with the mounting position on the ends of the Headboard Top Rail (3) and Headboard Frame (1) .
3.1: Affix Headboard Side Panel (2) to Headboard Top Rail (3) by using Screws (⊕) and screwdriver (Not Provided).
3.2: Affix Headboard Side Panel (2) to Headboard Frame(1) by using Screws (⊕) and screwdriver (Not Provided).

Step 4



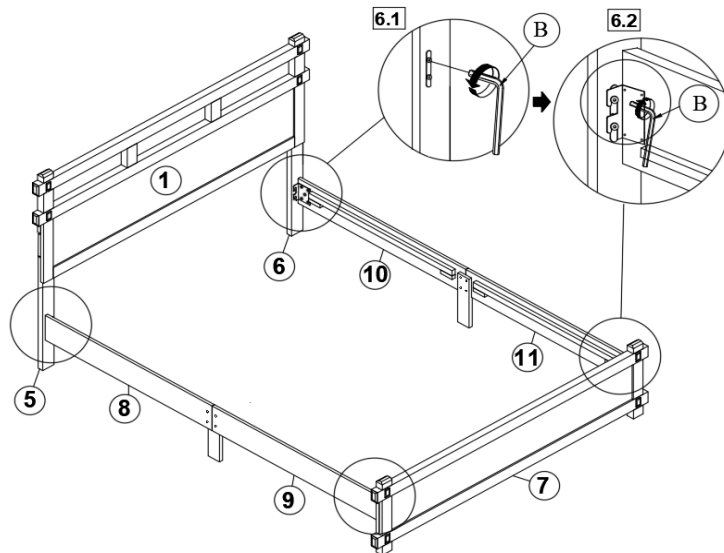
Align the Headboard Leg L (5) and Headboard Leg R (6) into the mounting positions in the Headboard(1) .
Affix Headboard Leg L (5) and Headboard Leg R (6) to Headboard (1) by using Bolts(©), Flat washers (ⓔ) & Spring Washers (ⓕ) with Allen Wrench (Ⓐ) .
DO NOT FULLY TIGHTEN BOLTS.

Step 5



Align the mounting position of Side Rail A (8) & Side Rail B (9) with the mounting position of Side Rail Leg (12) as shown above.
Affix the Side Rail (8) & (9) to Side Rail Leg (12) by using Bolts (©), Spring Washers (ⓕ), Flat Washers (ⓔ) with Allen Wrench (Ⓐ). Process the same step to attach the Side Rail A (10) & Side Rail B (11) to Side Rail Leg (12).
DO NOT FULLY TIGHTEN BOLTS.

Step 6



With the help from you partner, stand the assembled headboard(1) standing as shown in picture above.

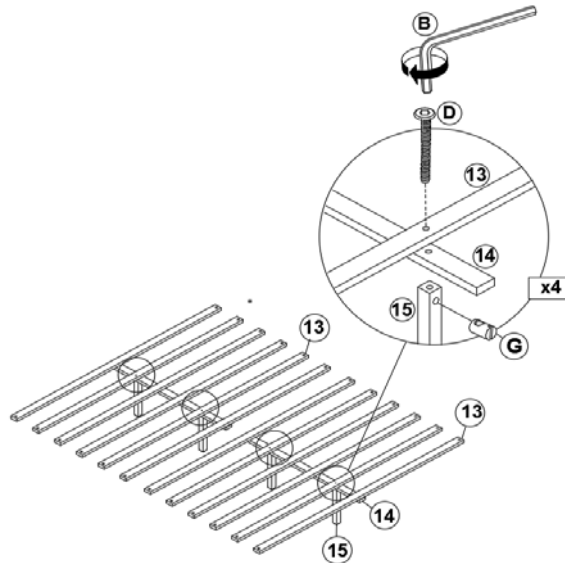
6.1: Loose the bolt on Headboard Leg (5) & (6) as shown above by using Allen Wrench (ⓑ).

6.2 :Then, Attach the assembled Side Panel (8) and (10) to the assembled headboard(1) and tighten by using Allen Wrench(ⓑ).

Process the same step to attach Side Rail (9) & (11) to Footboard (7) by using Allen Wrench (ⓑ).

DO NOT FULLY TIGHTHEN BOLTS.

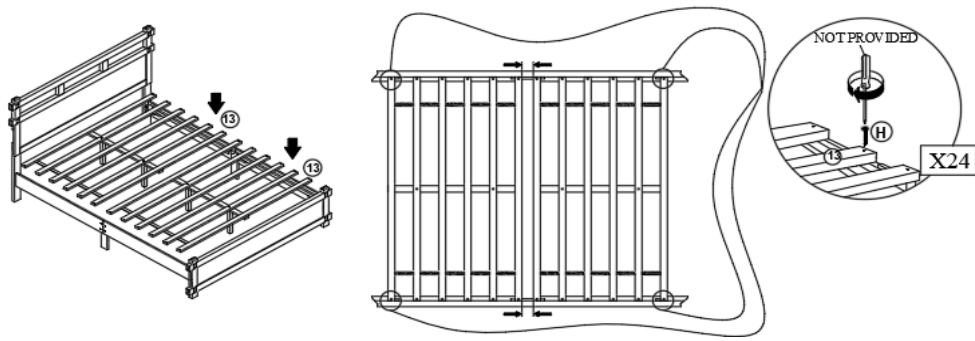
Step 7



Attach Slat (13) to the Center Slat (14) and Slat Support (15) by using Barrel Nut (ⓐ) and Bolts (ⓐ)with Allen Wrench (ⓑ);

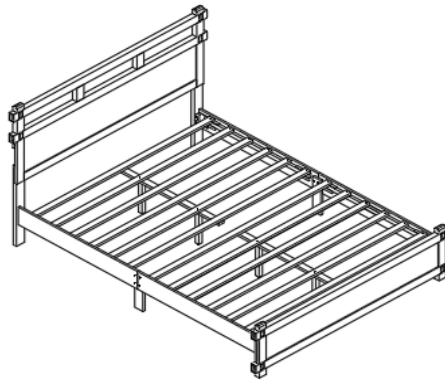
DO NOT FULLY TIGHTHEN BOLTS.

Step 8



Attach all Slats (13) to the rail on Side Rail by using Screws (H) and Screwdriver (Not Provided).
DO NOT FULLY TIGHTEN SCREWS.

Step 9



Turn the Bed right side up.
Place the Bed on a **LEVEL SURFACE**.
Inspect it and make sure all parts are adequately connected.
Don't push too hard, shake on the bed.
This would help to align all the parts at all the joint areas.

CAUTION 1: When tightening these screws, tighten sequentially.
DO NOT tighten any screw fully and then towards the next one.
This would cause the frame to warp.
If there is still wobbles, loosen the screws and execute this same process. DO NOT tighten any screw fully and then towards the next one.
WARNING!! IF BED IS NOT STABLE , IT COULD LEAD TO DAMAGING THE PRODUCT.
Ensure all screws are fully locked into position.
The bed is ready to be used.
Caution 2: This bed can only be used on a flat, level surface.

Questions & Answers about Proposition 65

- What is Proposition 65?

Proposition 65 requires businesses to provide warnings to Californians about significant exposures to chemicals that cause cancer, birth defects or other reproductive harm. These chemicals can be in the products that Californians purchase, in their homes or workplaces, or that are released into the environment. By requiring that this information be provided, Proposition 65 enables Californians to make informed decisions about their exposures to these chemicals. Proposition 65 also prohibits California businesses from knowingly discharging significant amounts of listed chemicals into sources of drinking water.

Proposition 65 requires California to publish a list of chemicals known to cause cancer, birth defects or other reproductive harm. This list, which must be updated at least once a year, has grown to include approximately 900 chemicals since it was first published in 1987.

- What types of chemicals are on the Proposition 65 list?

The list contains a wide range of naturally occurring and synthetic chemicals that include additives or ingredients in pesticides, common household products, food, drugs, dyes, or solvents. Listed chemicals may also be used in manufacturing and construction, or they may be byproducts of chemical processes, such as motor vehicle exhaust.

- What does a warning mean?

If a warning is placed on a product label or posted or distributed at a workplace, a business, or in rental housing, the business issuing the warning is aware or believes that it is exposing individuals to one or more listed chemicals.

By law, a warning must be given for listed chemicals unless the exposure is low enough to pose no significant risk of cancer or is significantly below levels observed to cause birth defects or other reproductive harm.

- Where can I get more information on Proposition 65?

If you have specific questions on the administration or implementation of Proposition 65, you can contact OEHHA's Proposition 65 program at P65.Questions@oehha.ca.gov, or by phone at (916) 445-690