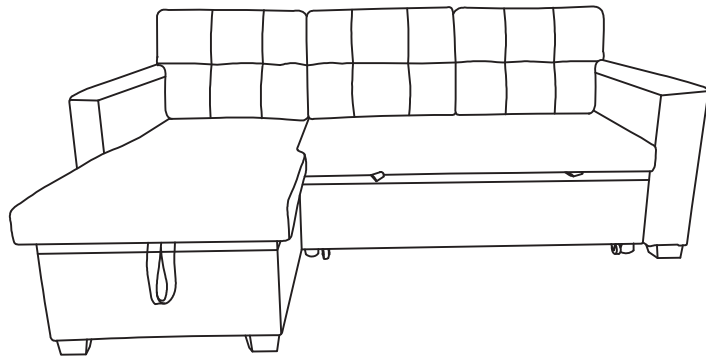
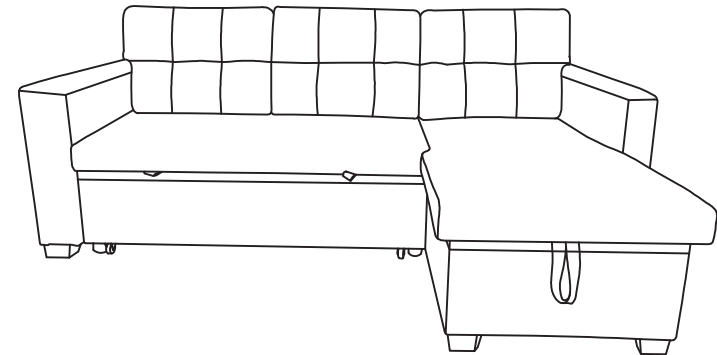


# ASSEMBLY INSTRUCTION

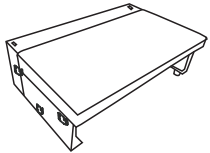
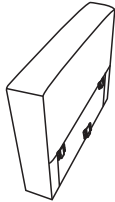
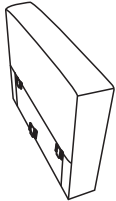
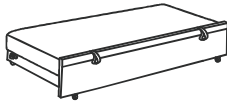
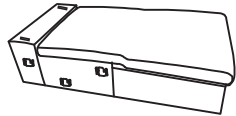
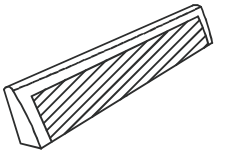
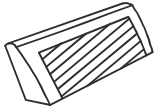
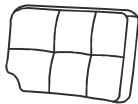
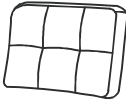
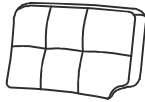


-L

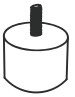
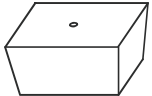
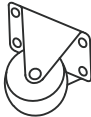


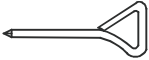
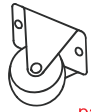




-R

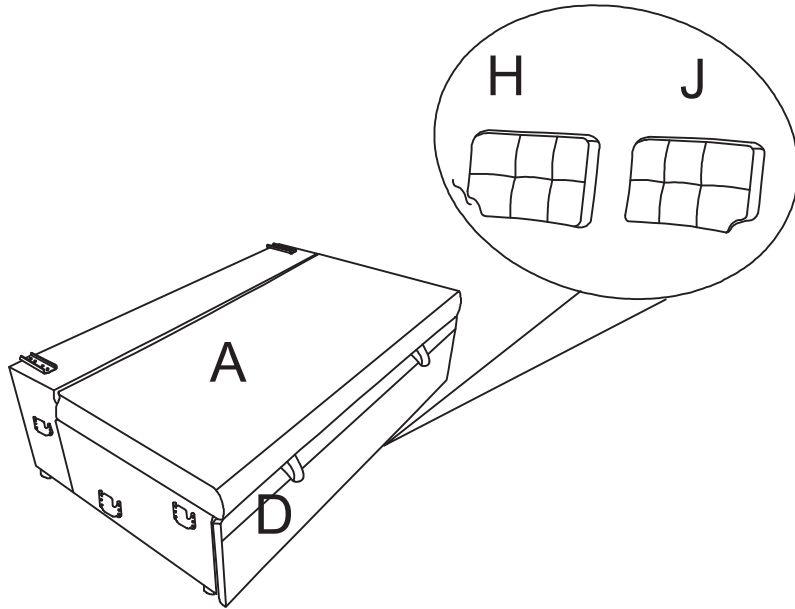
## PARTS LIST

 <p><b>A</b> X1</p>	 <p><b>B</b> X1</p>	 <p><b>C</b> X1</p>	 <p><b>D</b> X1</p>	 <p><b>E</b> X1</p>	 <p><b>F</b> X1</p>
 <p><b>G</b> X1</p>	 <p><b>H</b> X1</p>	 <p><b>I</b> X1</p>	 <p><b>J</b> X1</p>		









## HARDWARE LIST

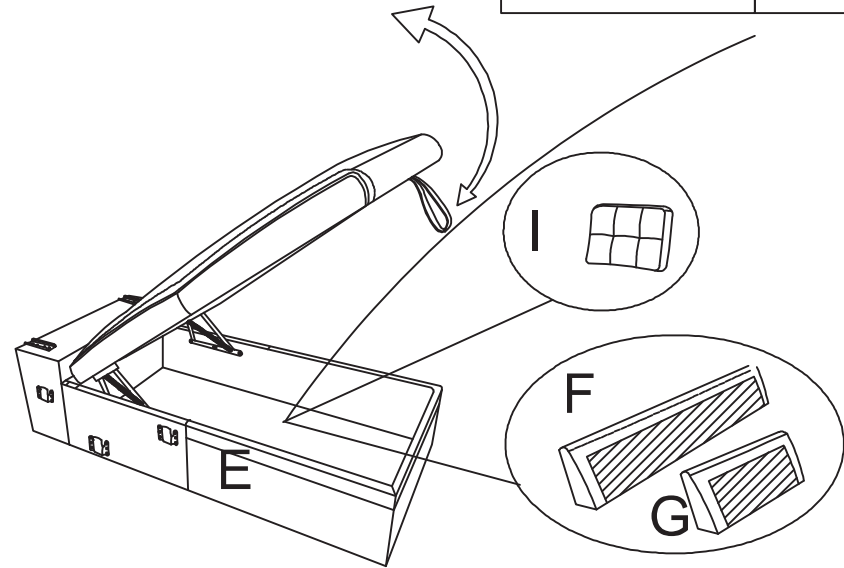
 <p>Ø45*50mm</p> <p><b>1</b> X6</p>	 <p><b>2</b> X6</p>	 <p>50mmH</p> <p><b>3</b> X4</p>	 <p><b>4</b> X6</p>	 <p><b>5</b> X8</p>	 <p><b>6</b> X1</p>	 <p>40mmH parts have been assembled</p> <p><b>7</b> X2</p>	 <p><b>8</b> X4</p>	 <p><b>9</b> X6</p>
--	--	---	--	--	--	---	--	--

### BOX -L HARDWARE LIST

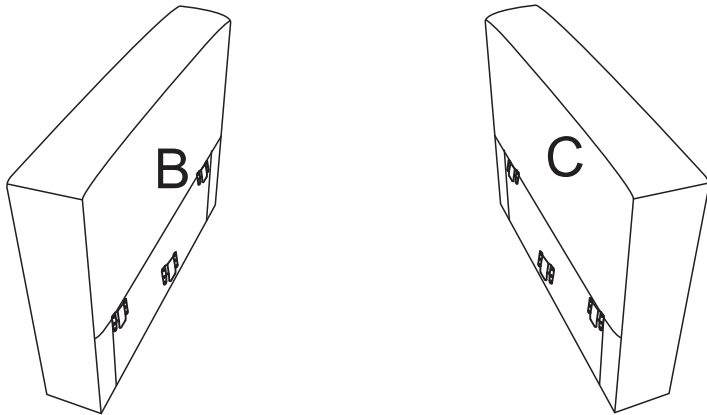


### BOX -C HARDWARE LIST

①		X6	⑤		X8
②		X6	⑥		X1
③		X4	⑧		X4
④		X6	⑨		X6



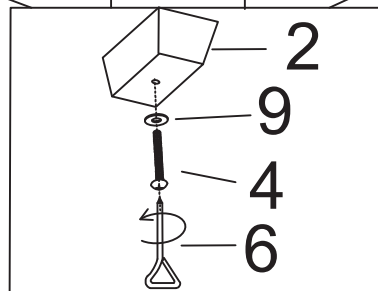
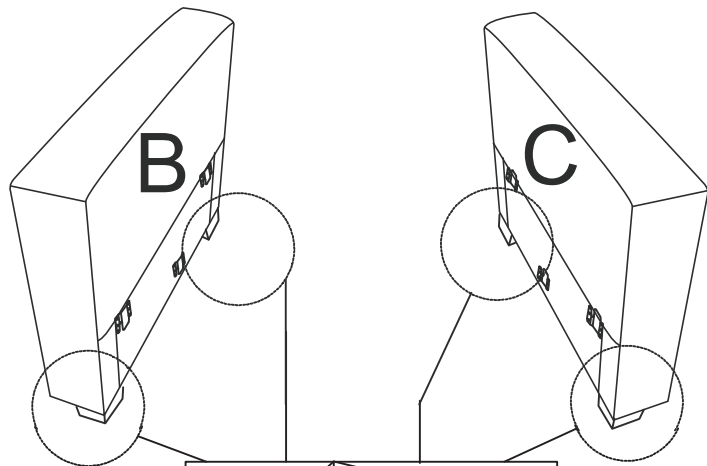
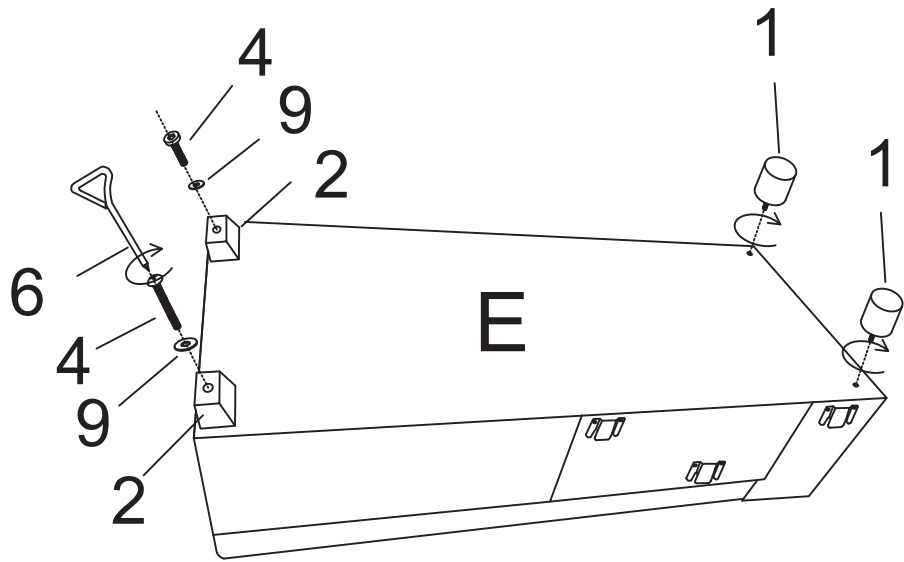
### BOX -A HARDWARE LIST



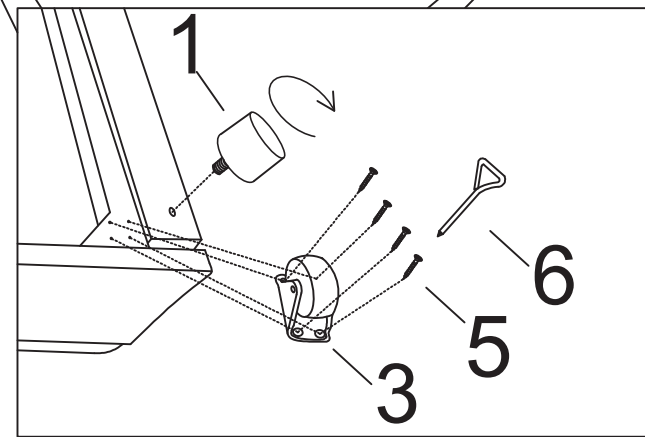
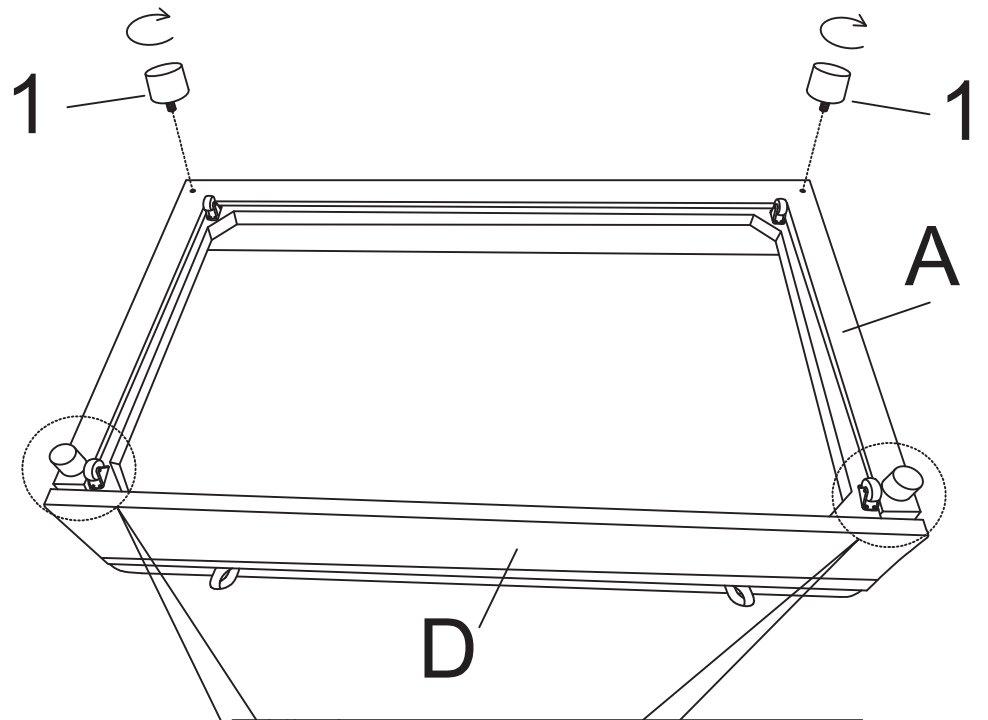
### Unpacking steps:

1. BOX-C
2. BOX-L
3. BOX-A

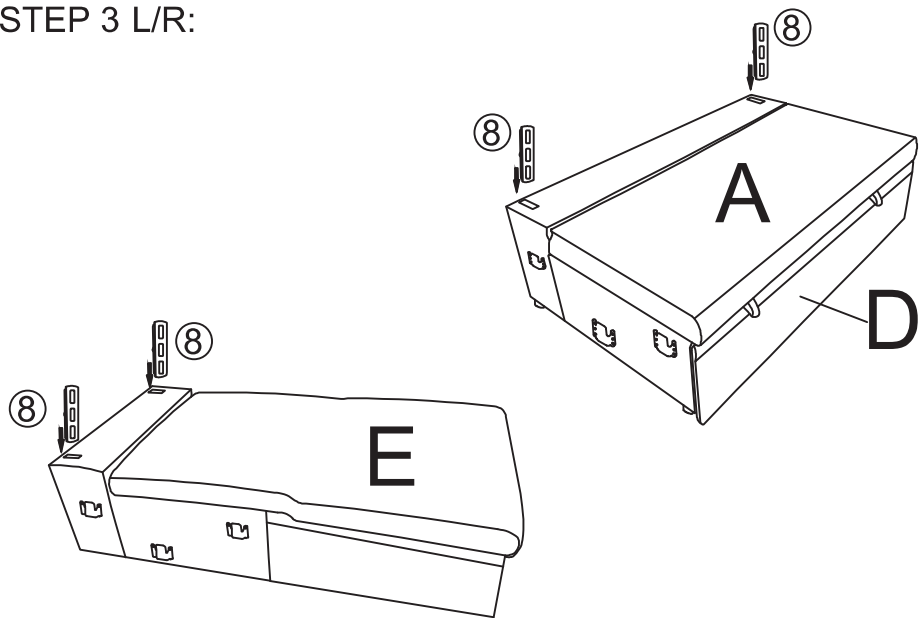
STEP 1-L/R:



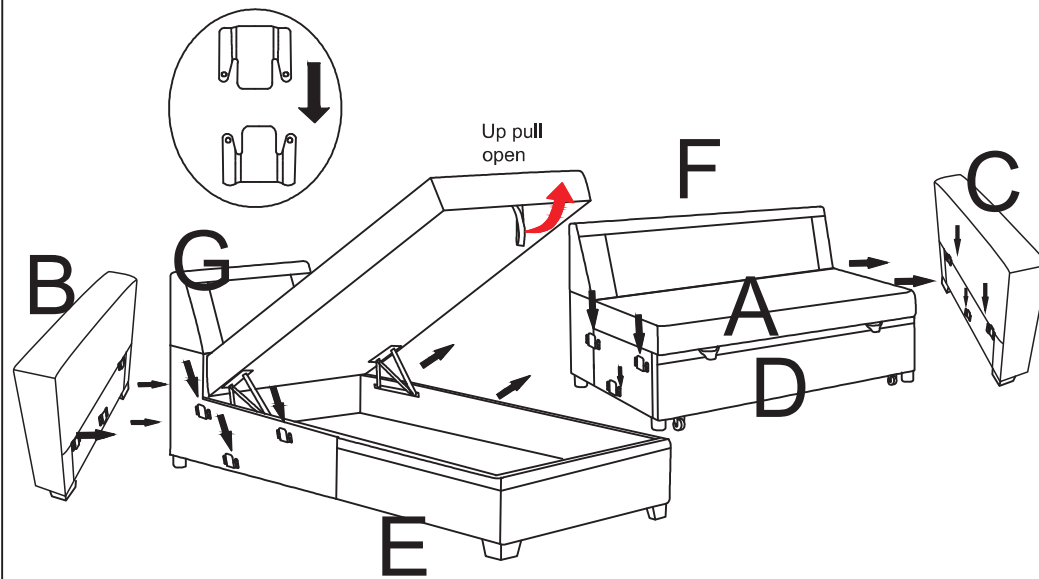
STEP 2-L/R:



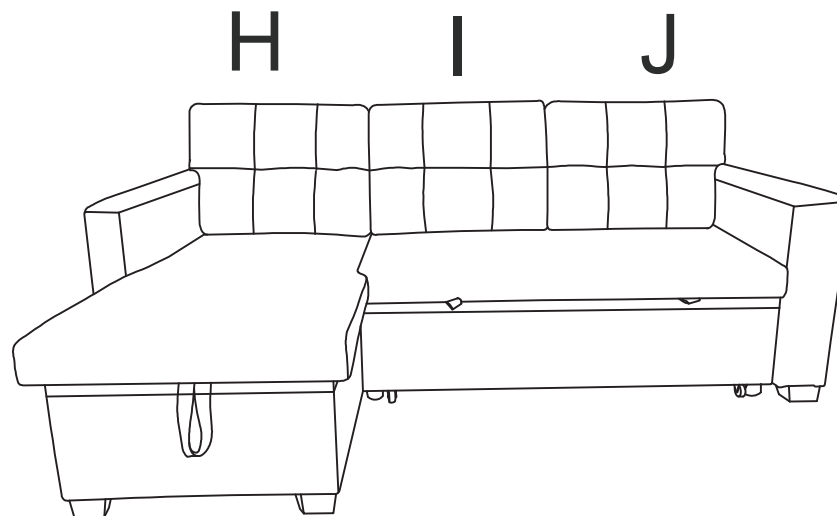
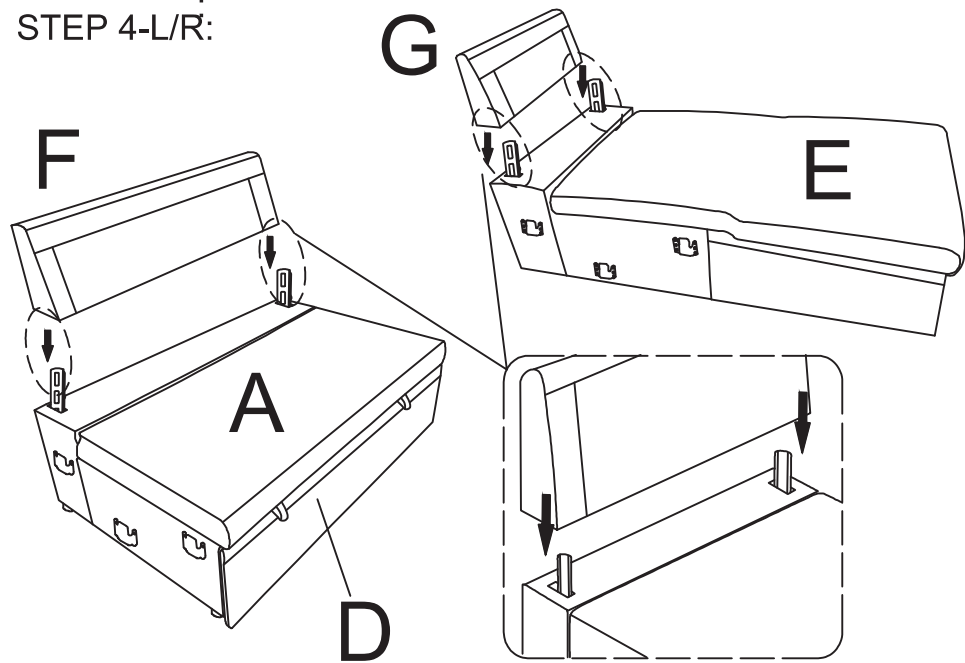
STEP 3 L/R:



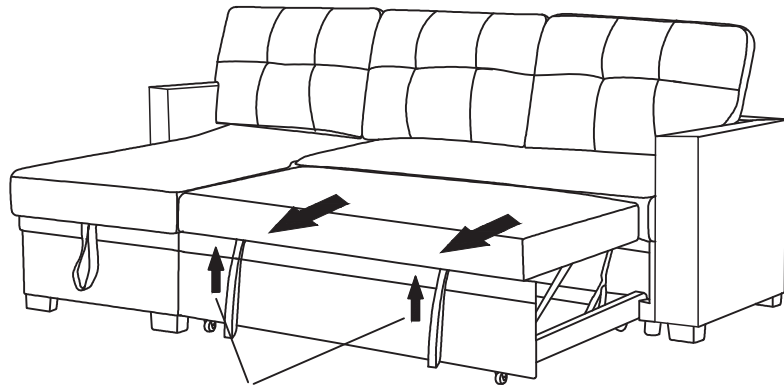
STEP 5-L:



STEP 4-L/R:

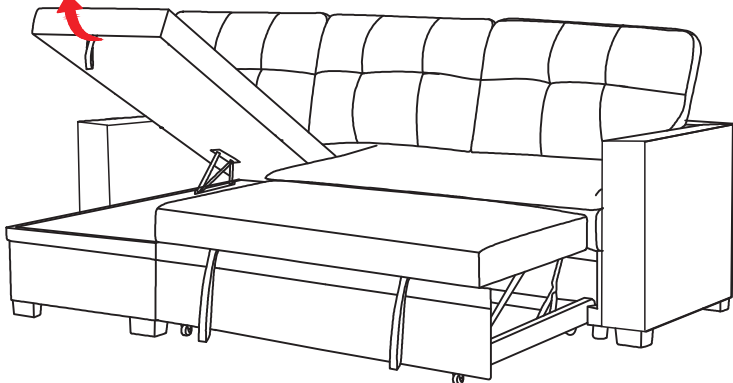


STEP 6-L:

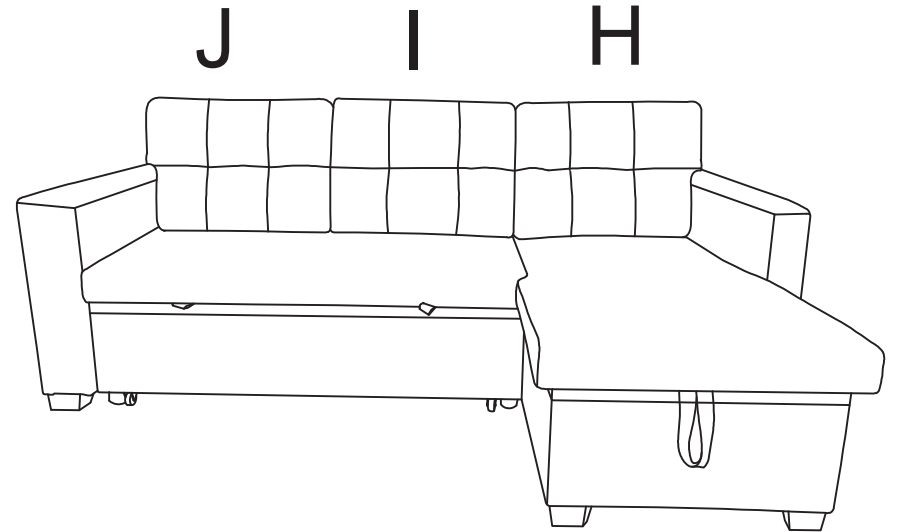
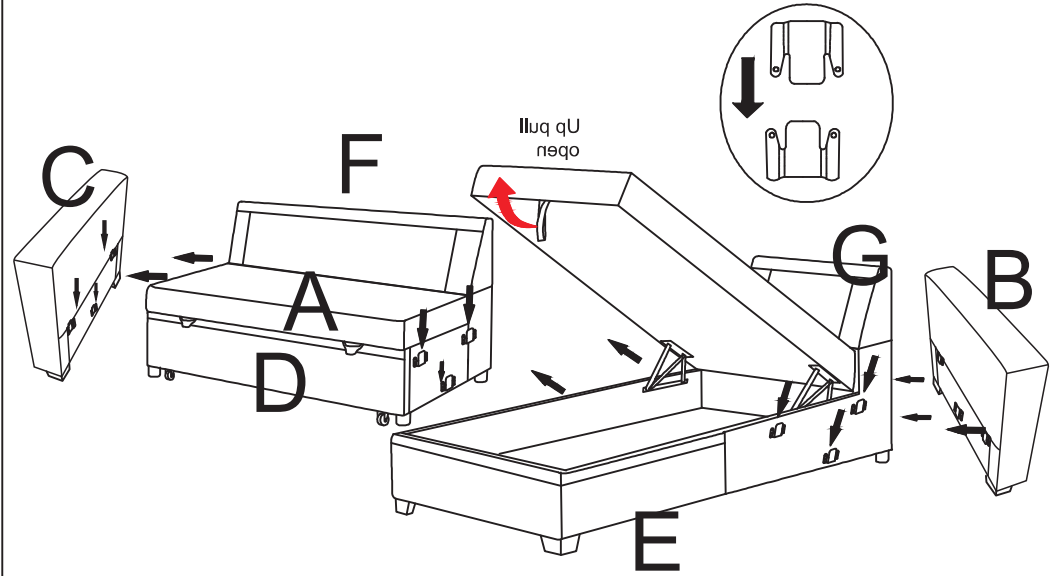


Up pull then  
Forward pumping

Up pull  
open



STEP 5-R:



STEP 6-R:

