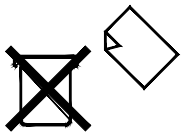


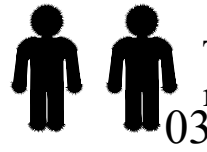
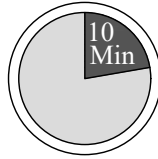
# HINTS & TIPS



# Assembly Instruction



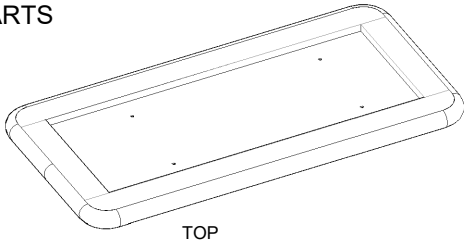
Please retain this assembly instruction for future use.



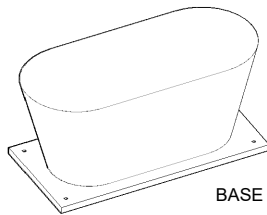
This assembly requires two people

03

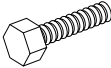


## PARTS



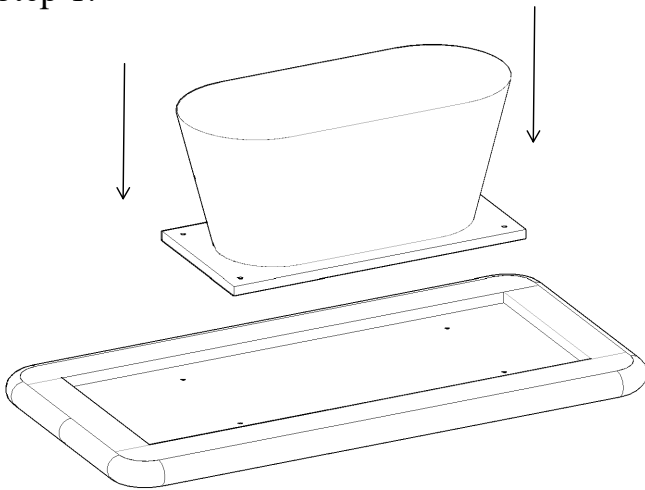
TOP



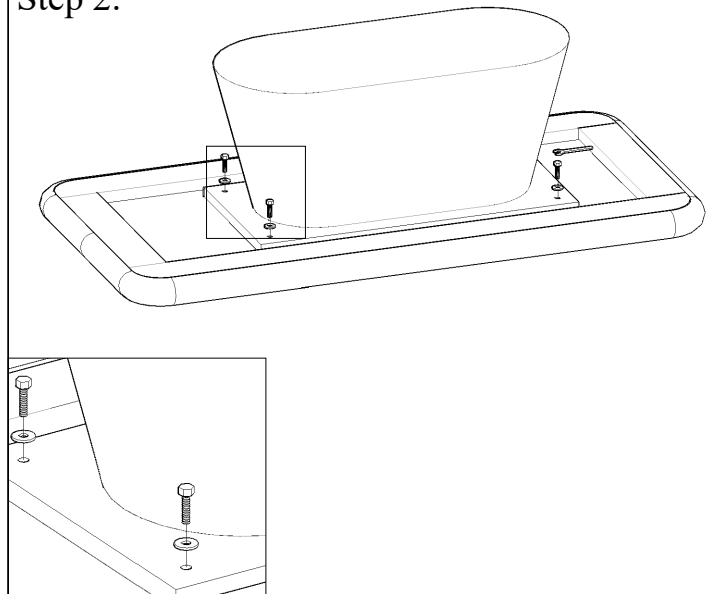
BASE

Code	Description	Qty
01	 Hexa Bolt	04
02	 Washer	04
03	 Spanner	01

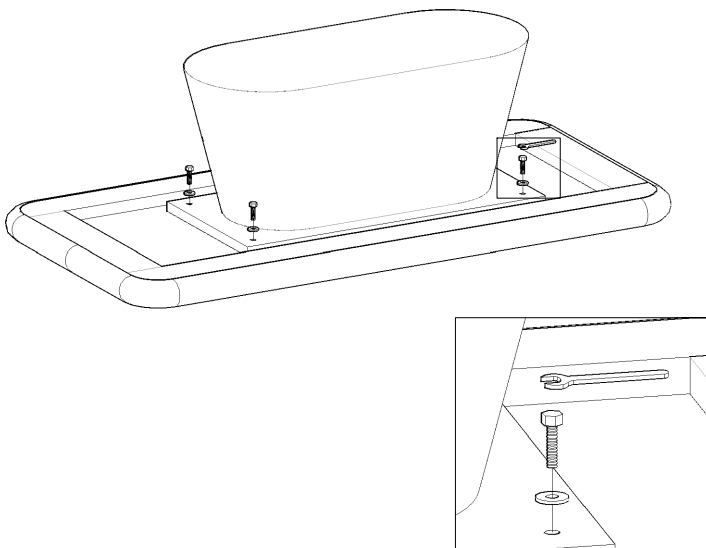
### Step 1.



### Step 2.



### Step 3.



### Step 4.

