

SKU: HK-BF-028-CLD-F/Q

**User Manual
Y6-20260201**

Before Assembly

Please read the USER MANUAL thoroughly for quick assembly, and check according to Accessories.



Team Installation:

For larger product, we recommend that you install the product together with other people



Laying Protection:

To protect the product and your flooring during installation, please lay protection before installation



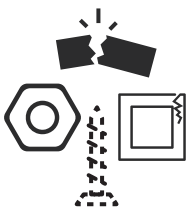
No Electric Drill:

For longer use, please use the installation tools supplied with the product.



Installation question:

You can find installation video instructions on YouTube by searching our brand.



Missing Parts or Broken:

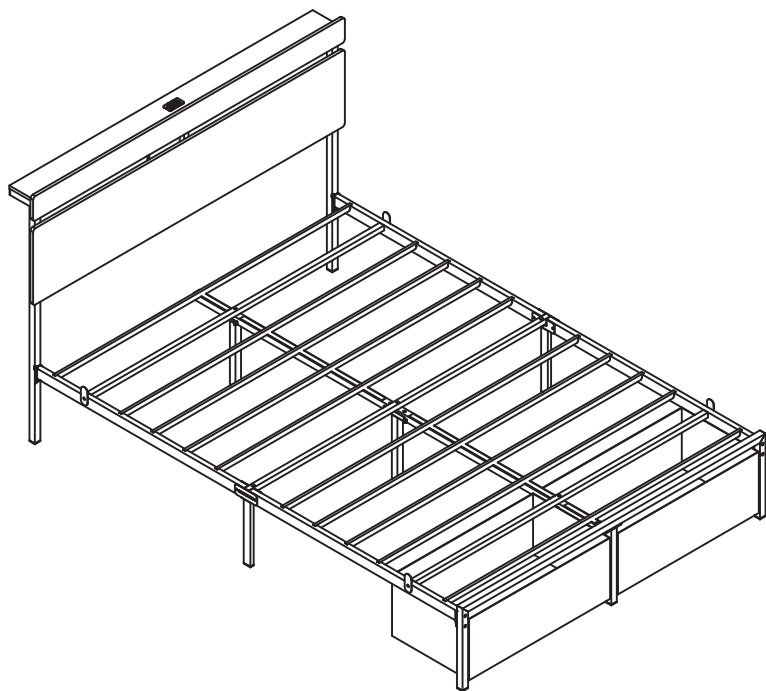
Please feel free to contact us via Amazon Orders or Customer Support Email. We promise to ship the missing or replacement parts to you free of charge.

Content

○ **Disassembly Diagram** 01

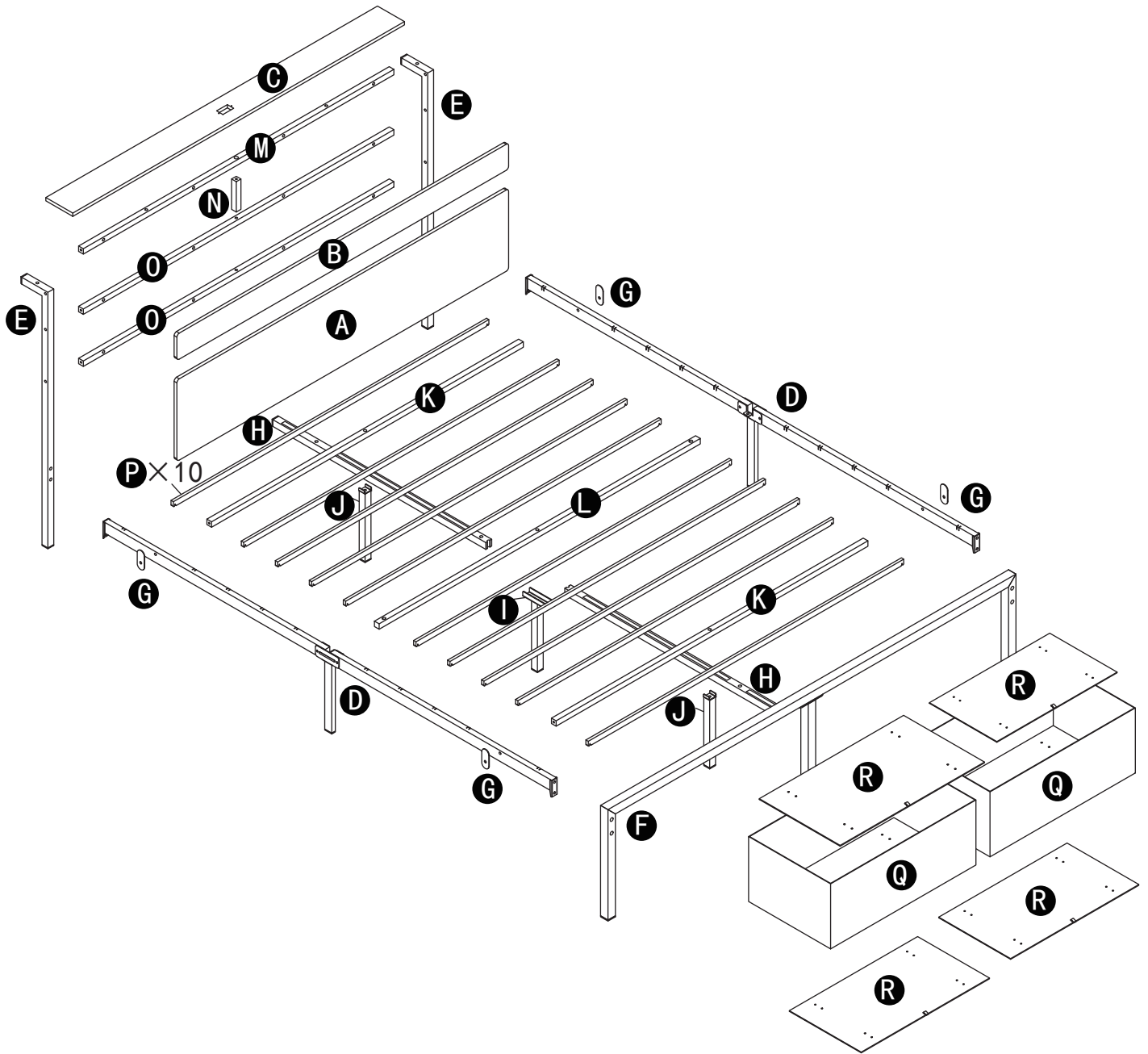
○ **Accessories** 02-04

○ **Assembly Instructions** 05-20

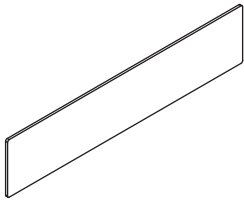
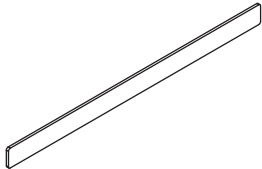
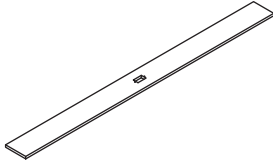
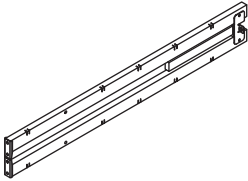

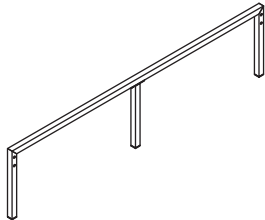

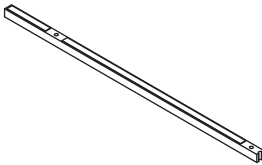
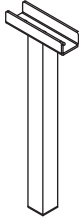

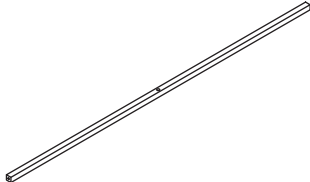
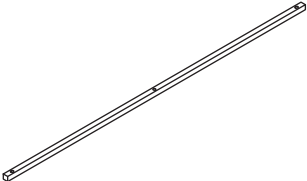
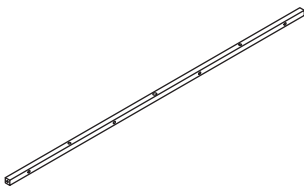

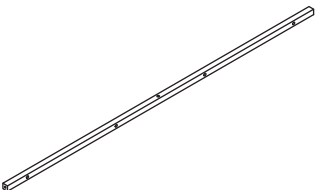
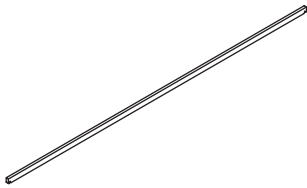


○ **Problems You May Encounter** 21

Disassembly Diagram



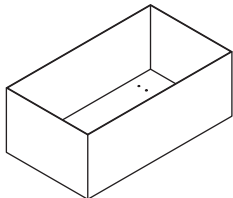
Accessories

A x1 	B x1 	C x1 	D x2 
E x2 	F x1 	G x4 	H x2 
I x1 	J x2 	K x2 	L x1 
M x1 	N x1 	O x2 	P x10 

Accessories

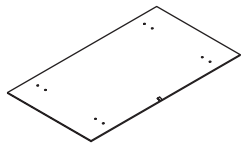
Q

x2

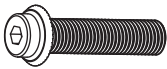

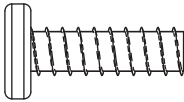
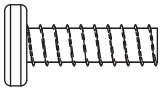
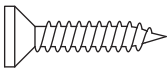
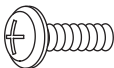
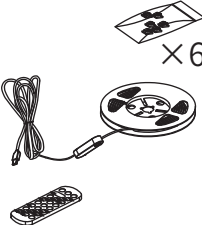
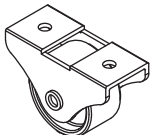
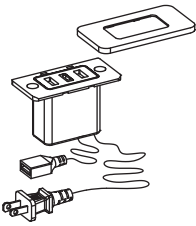


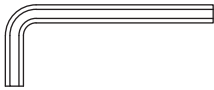


R

x4



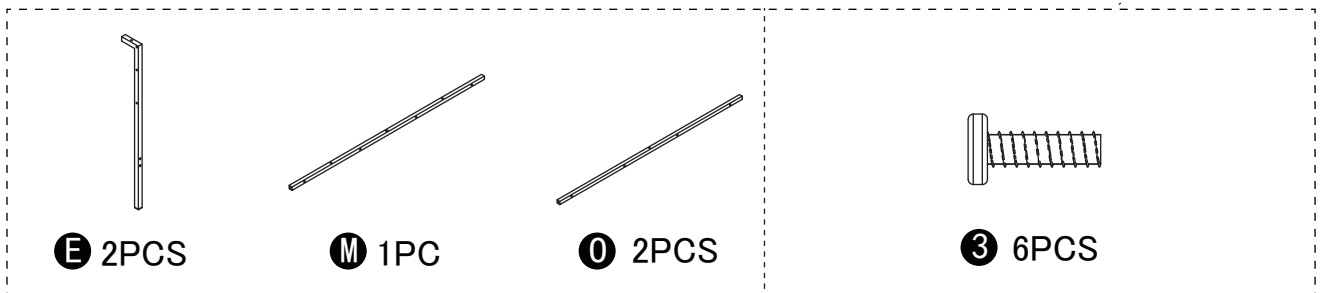
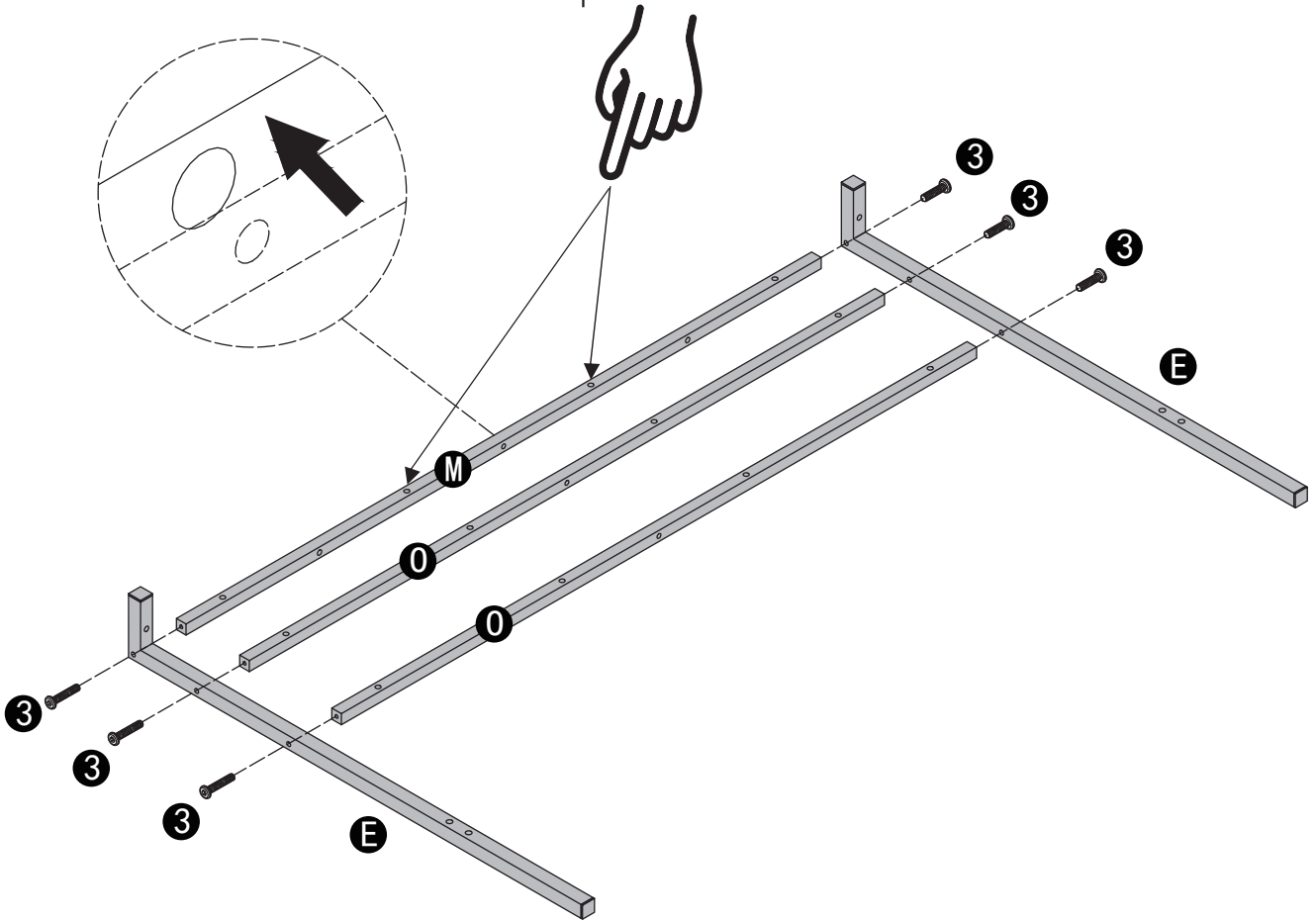
Accessories

<p>1 x12 +1</p>  <p>M8×30mm</p>	<p>2 x3 +1</p>  <p>M8×60mm</p>	<p>3 x14 +1</p>  <p>M6×33mm</p>	<p>4 x14 +1</p>  <p>M6×28mm</p>
<p>5 x2 +1</p>  <p>M3.5×12mm</p>	<p>6 x16 +1</p>  <p>M4×12mm</p>	<p>7 x1</p>  <p>×6</p>	<p>8 x8</p> 
<p>9 x1</p> 	<p>10 x1</p> 	<p>11 x1</p>  <p>M4</p>	<p>12 x1</p>  <p>M5</p>

Assembly Instructions

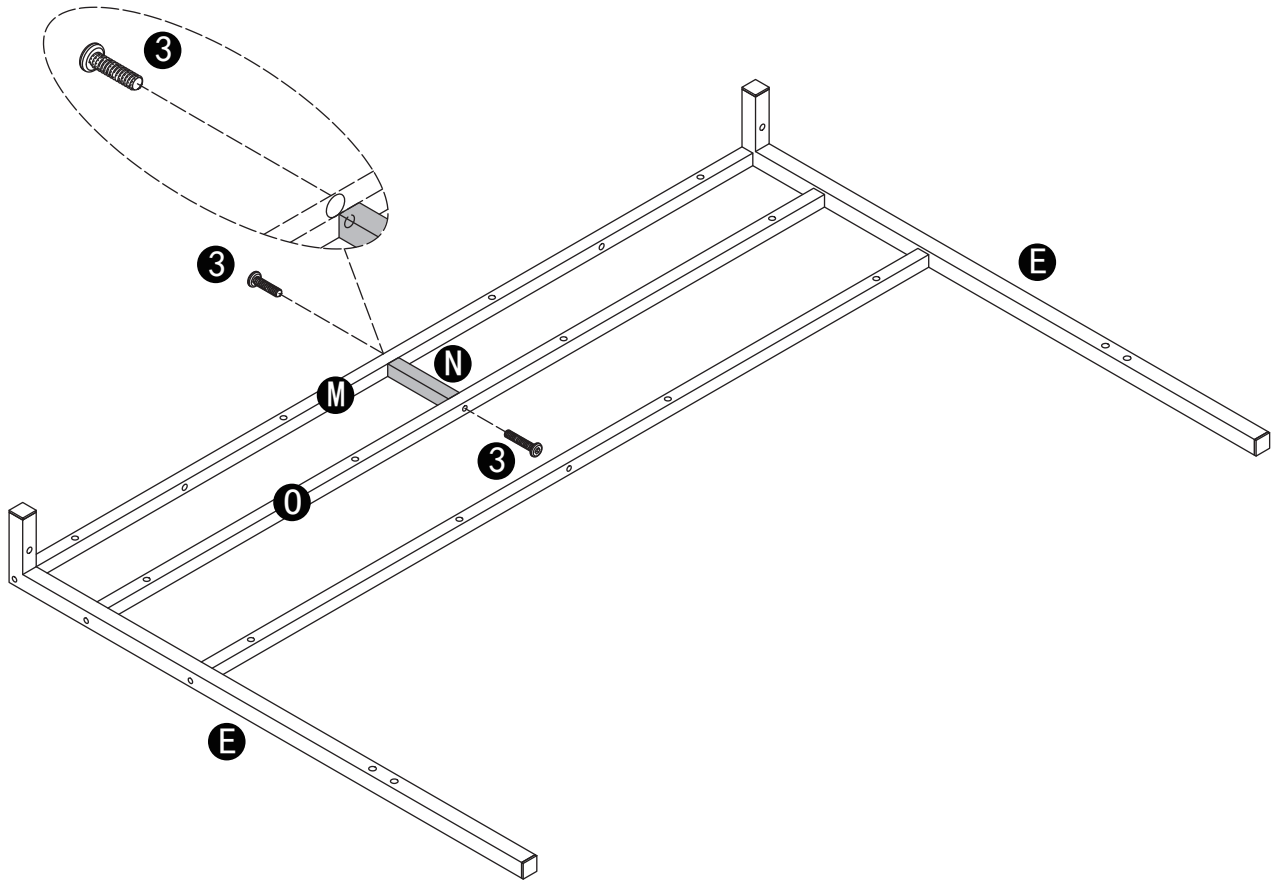
Step1:

Note : Ensure the hole
faces upward .

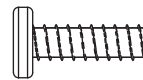


Assembly Instructions

Step2:



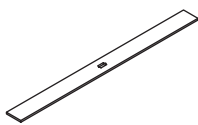
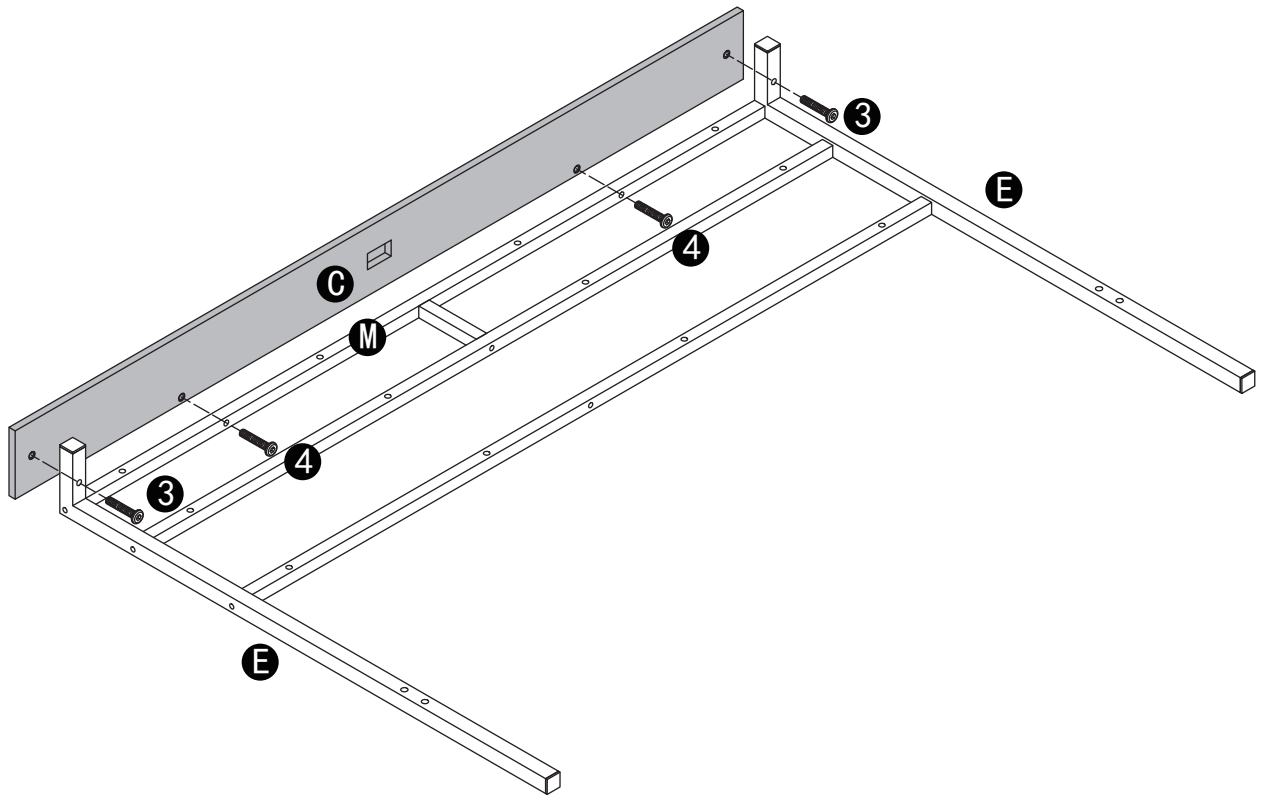
N 1PC



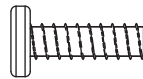
3 2PCS

Assembly Instructions

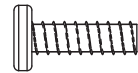
Step3:



C 1PC



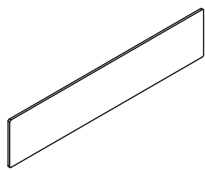
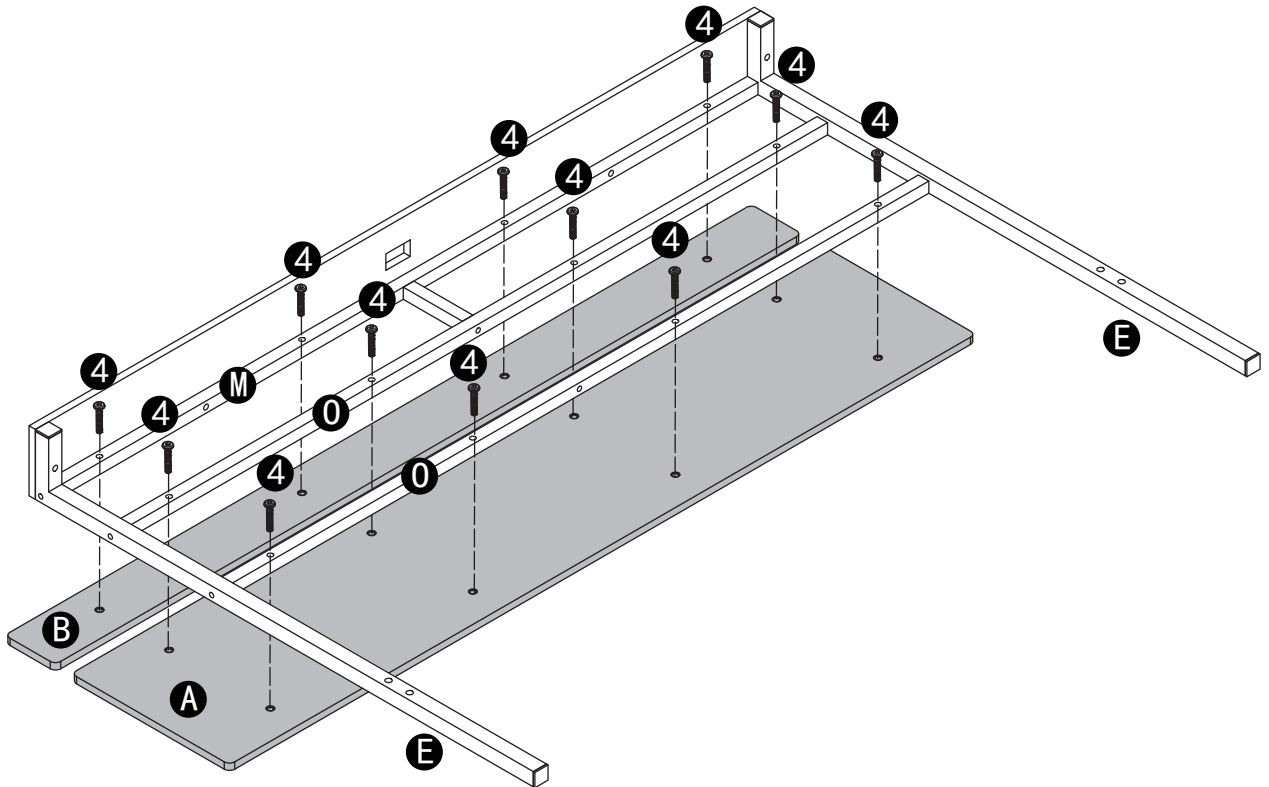
3 2PCS



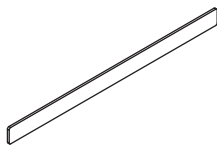
4 2PCS

Assembly Instructions

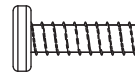
Step4:



A 1PC



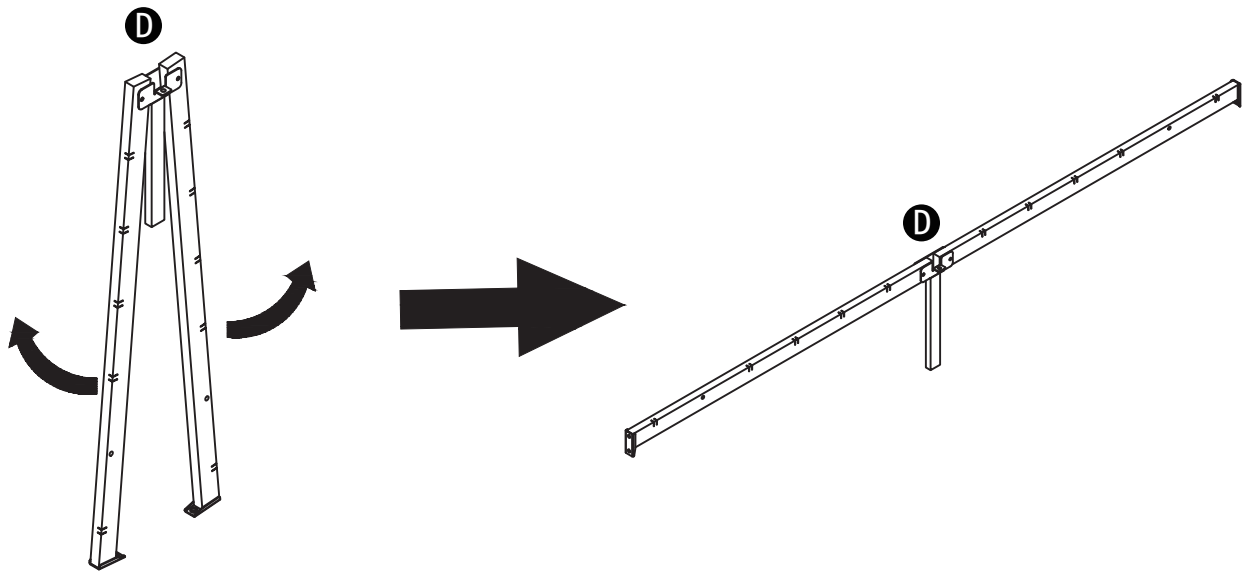
B 1PC



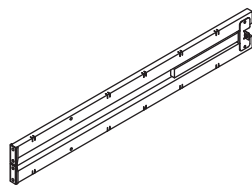
4 12PCS

Assembly Instructions

Step5:



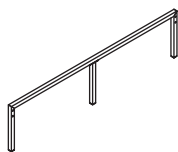
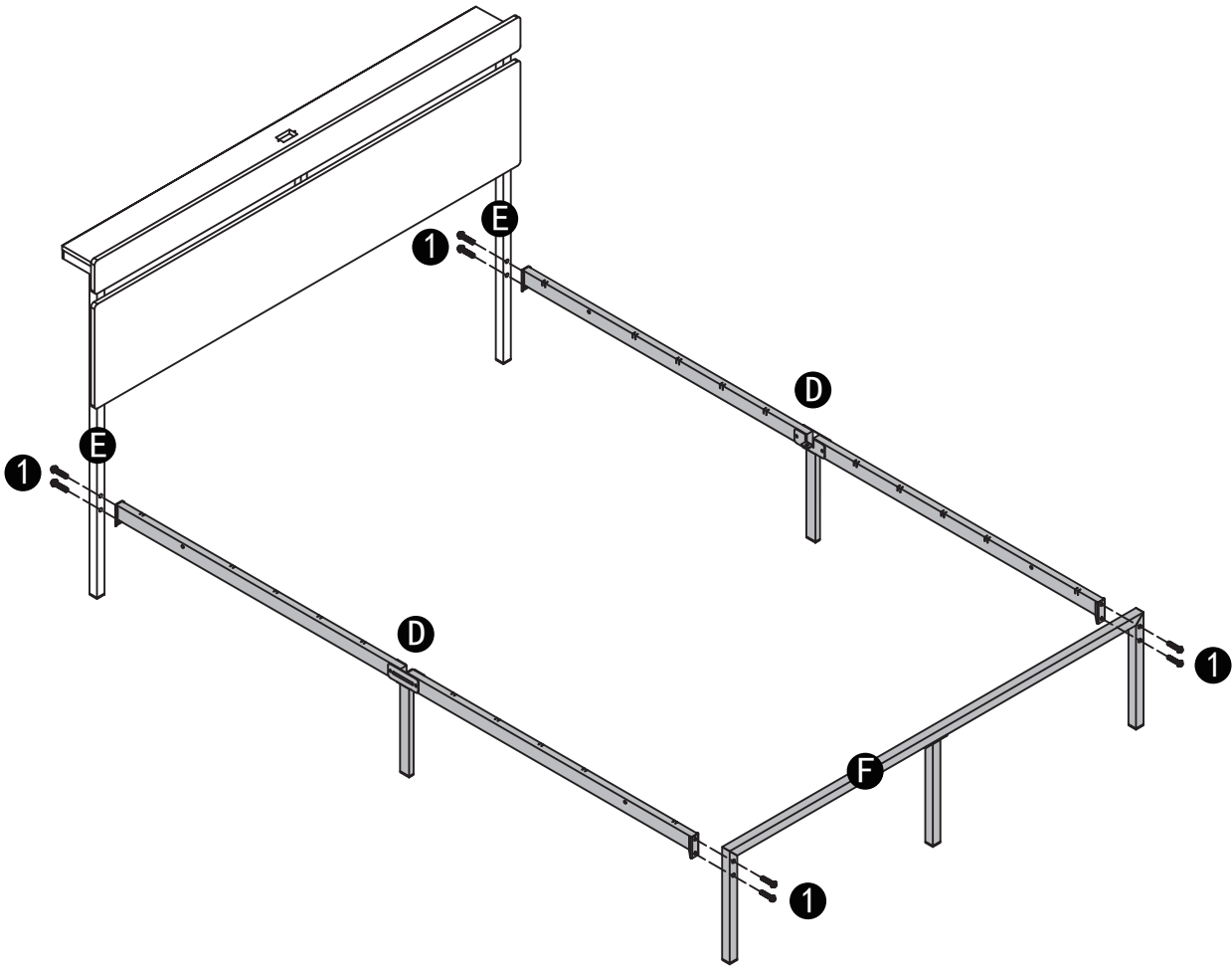
× 2



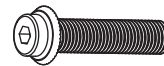
D 2PCS

Assembly Instructions

Step6:



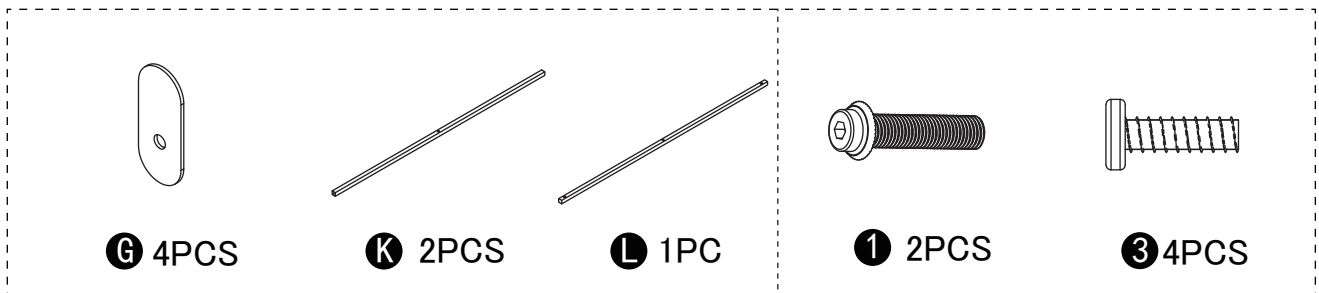
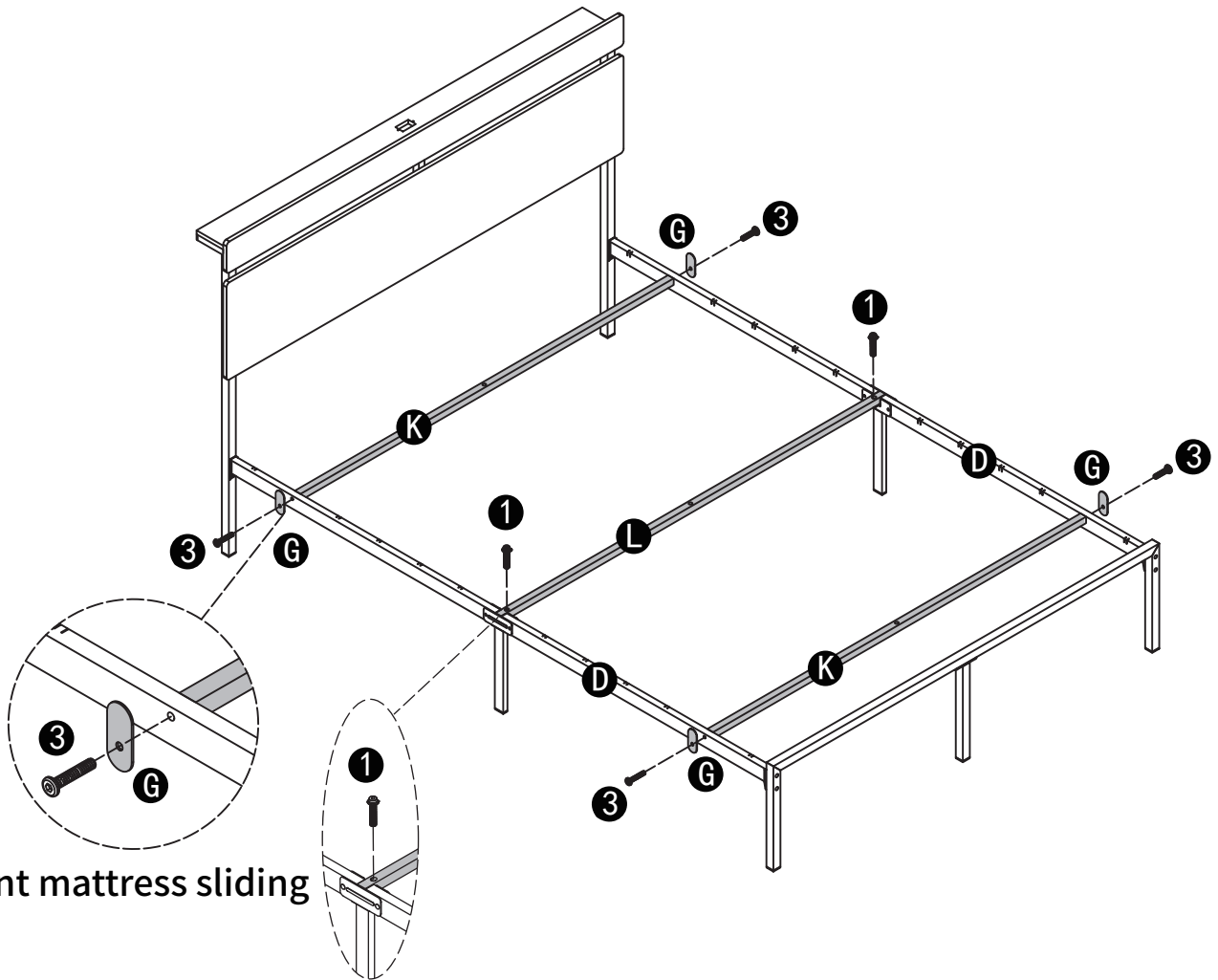
F 1PC



1 8PCS

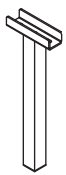
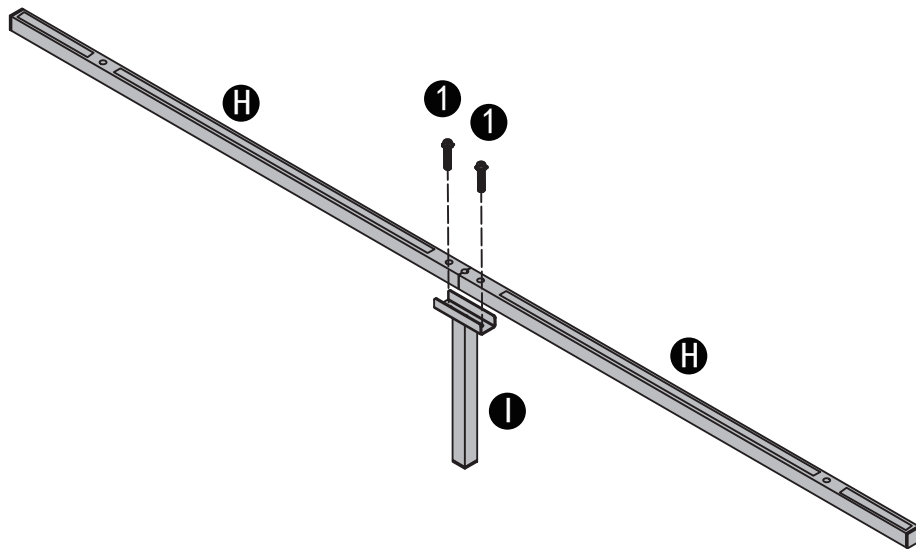
Assembly Instructions

Step7:

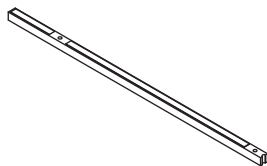


Assembly Instructions

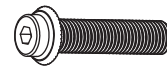
Step8:



I 1PC



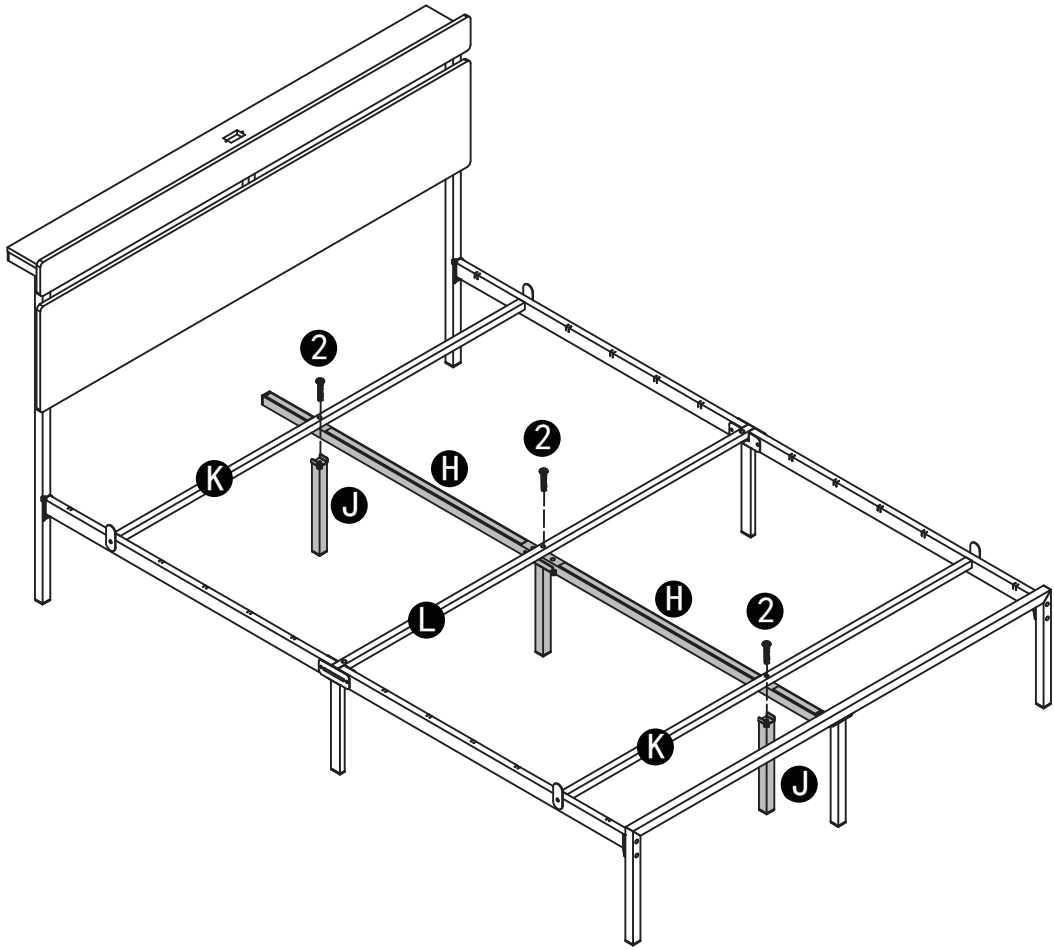
H 2PCS



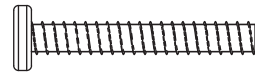
1 2PCS

Assembly Instructions

Step9:



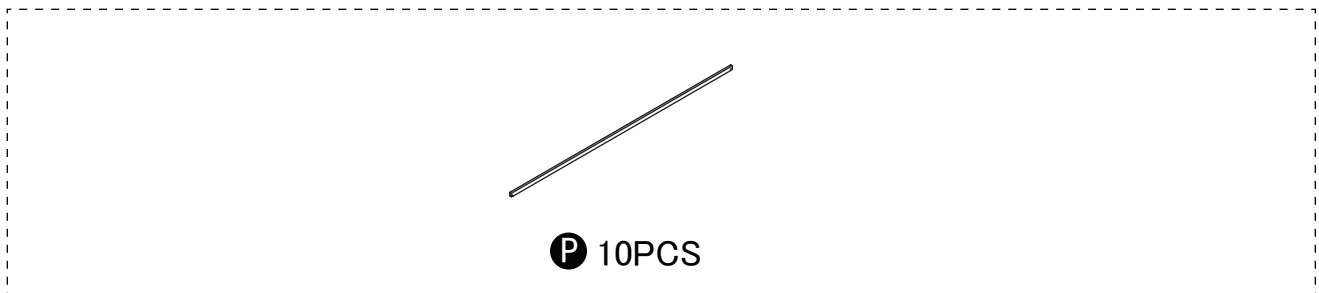
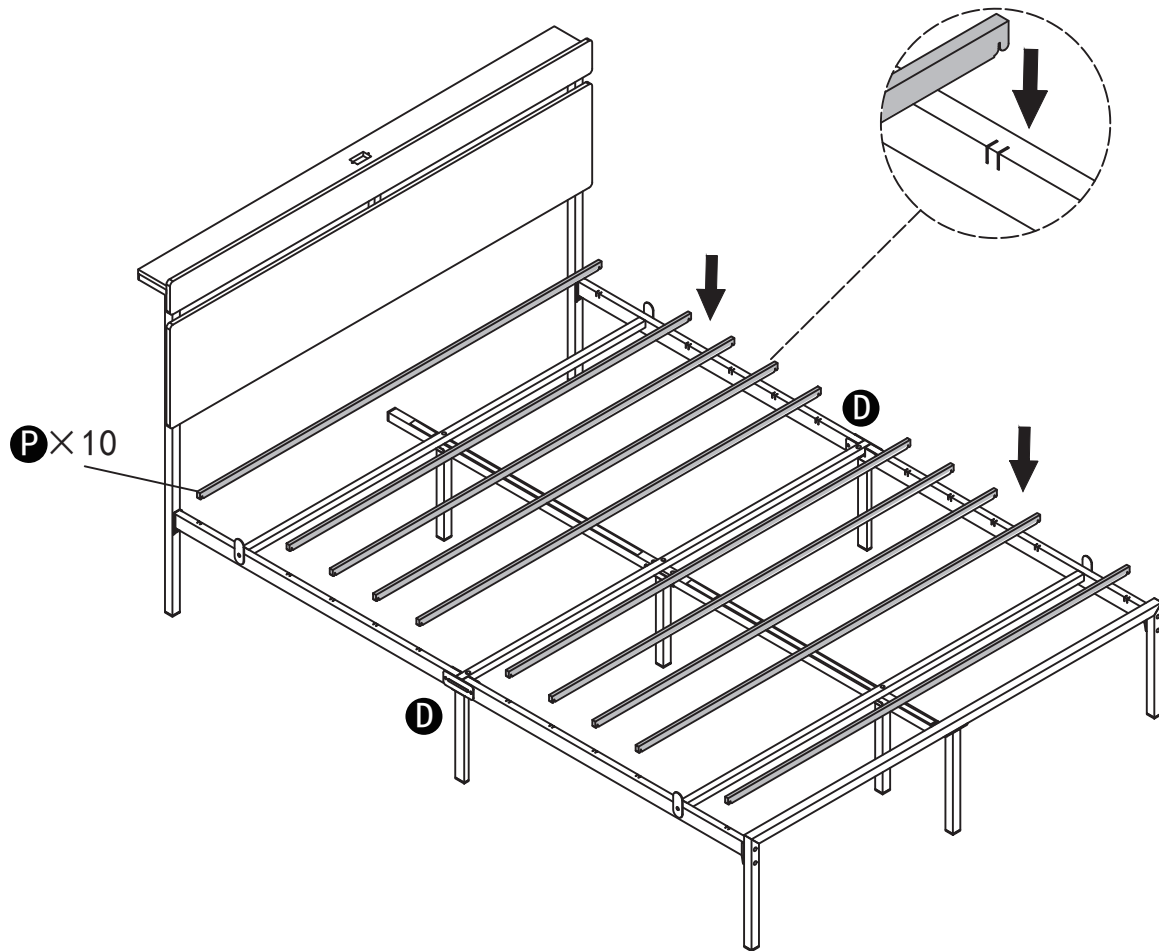
J 2PCS



2 3PCS

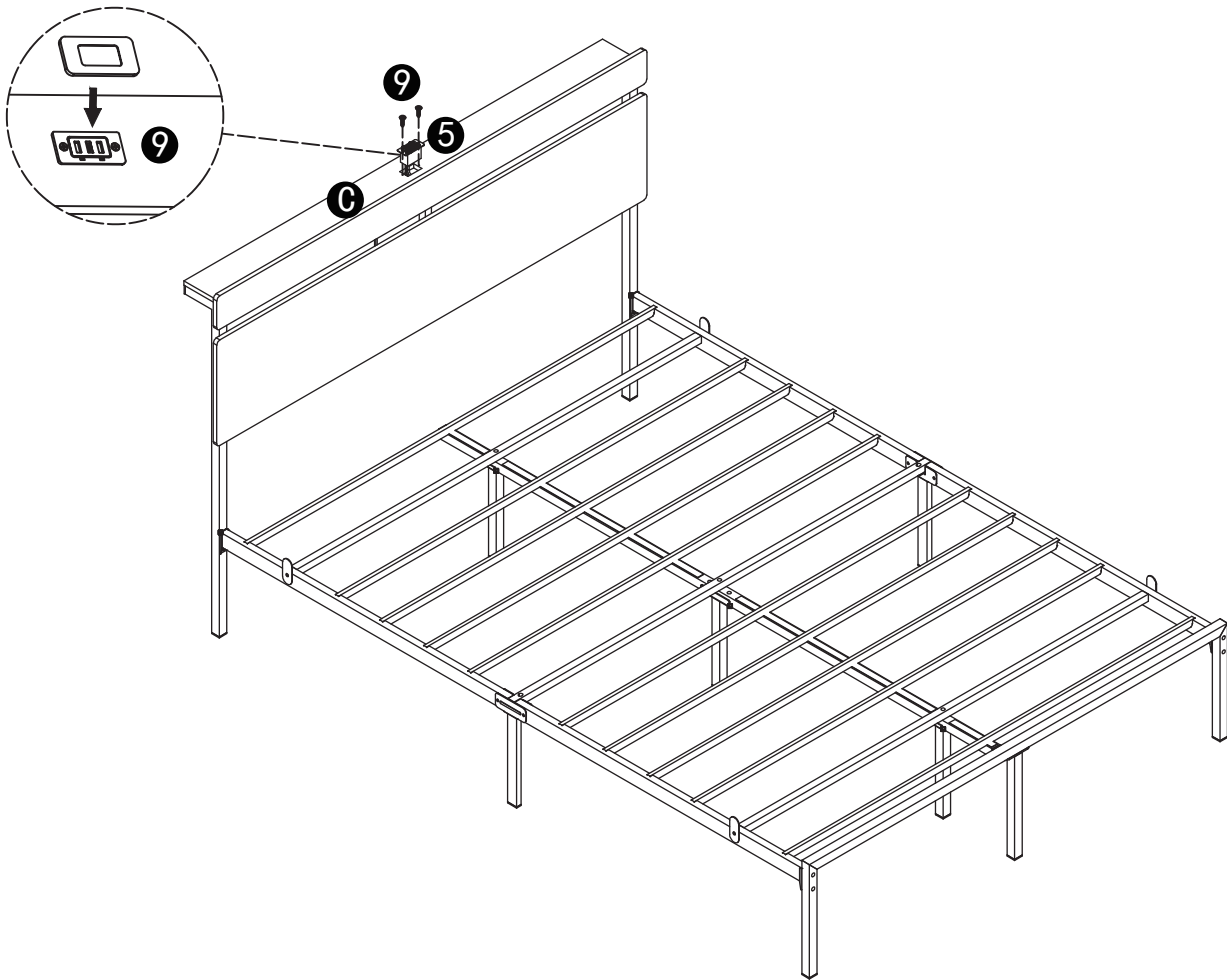
Assembly Instructions

Step10:

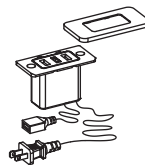


Assembly Instructions

Step11:



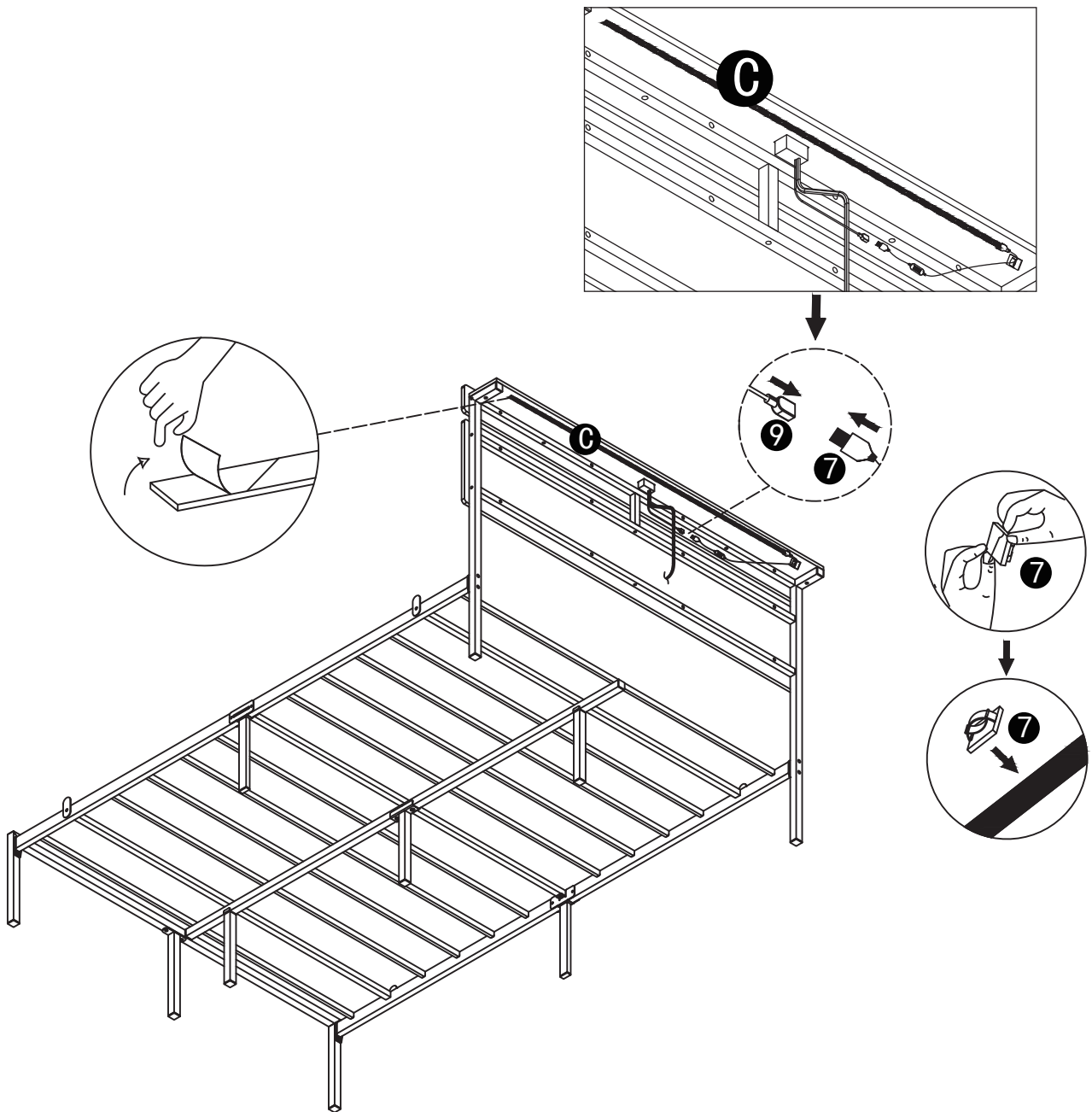
5 2PCS



9 1PC

Assembly Instructions

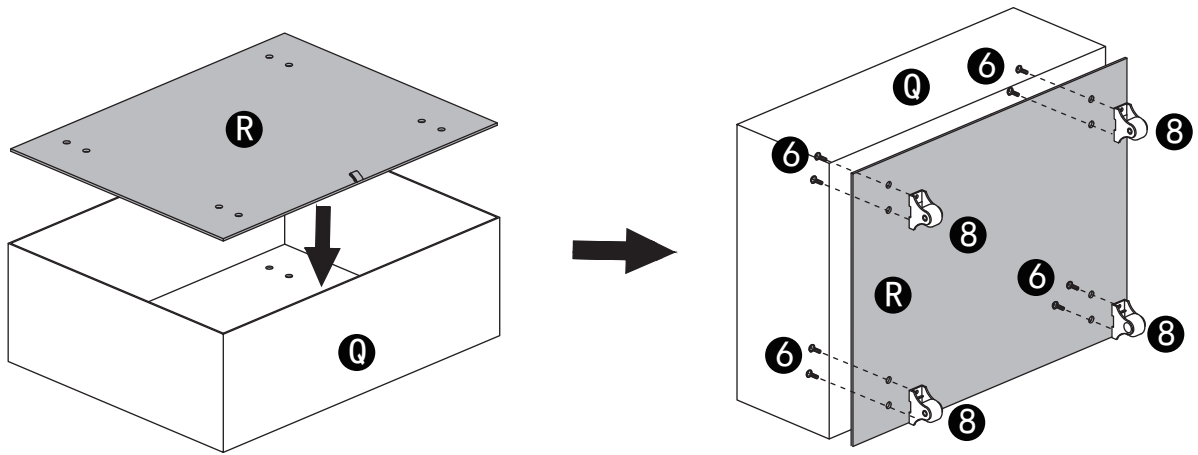
Step 12: Stick the fixture and light strip onto the bottom surface of board C



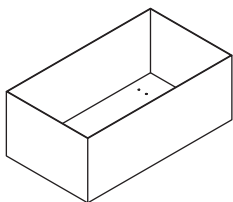
7 1PC

Assembly Instructions

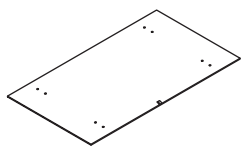
Step13:



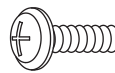
×2



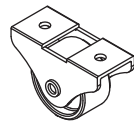
Q 2PCS



R 4PCS



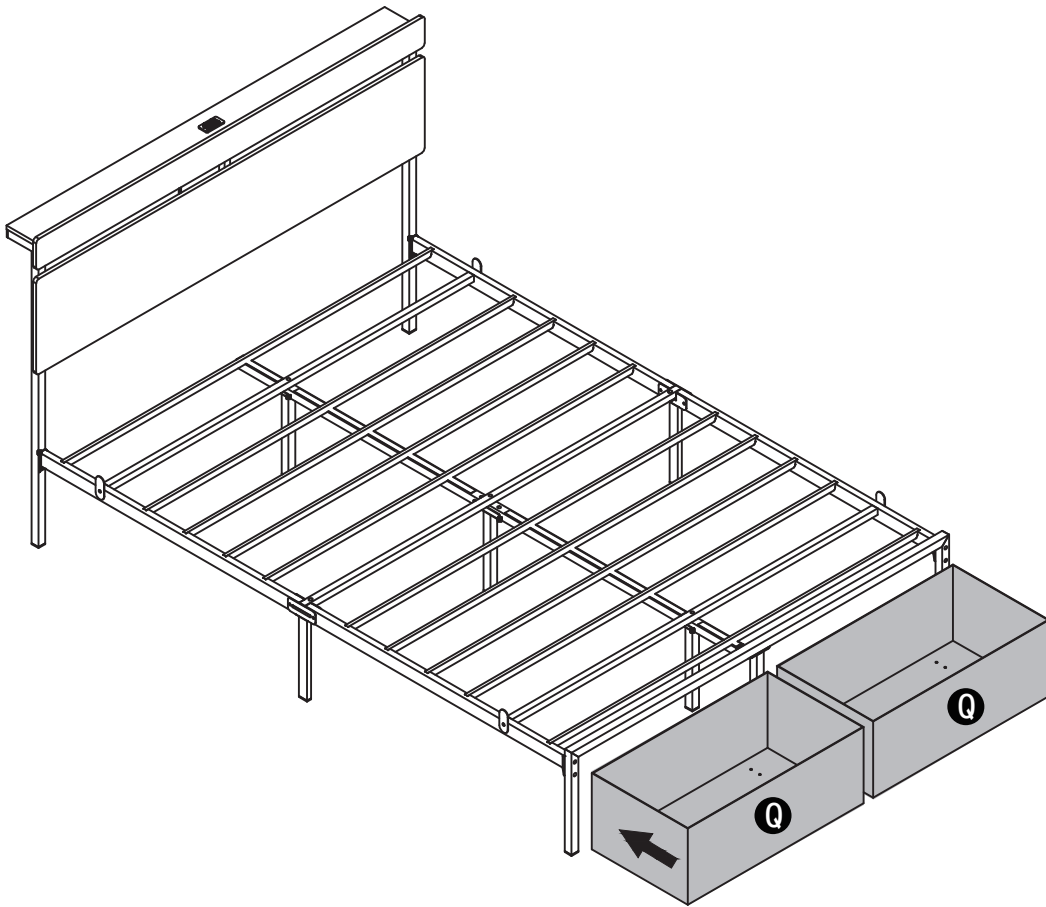
6 16PCS



8 8PCS

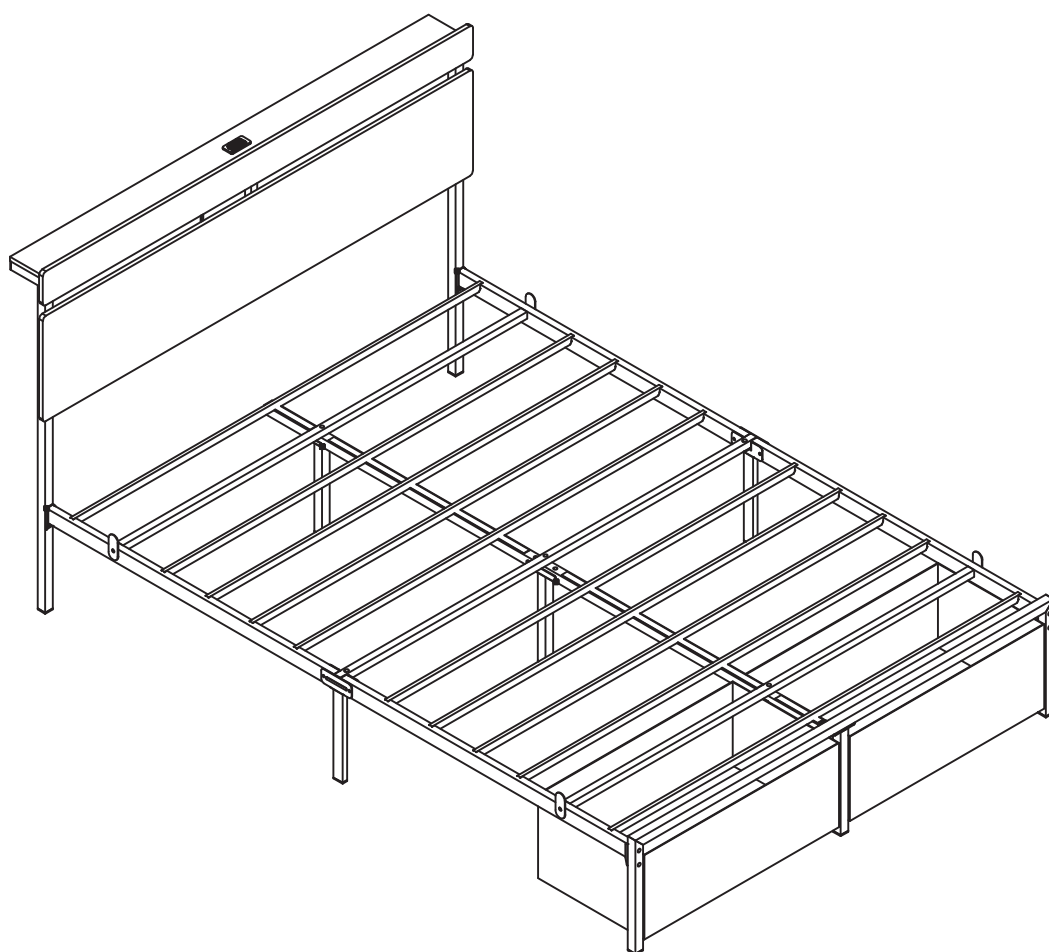
Assembly Instructions

Step14:

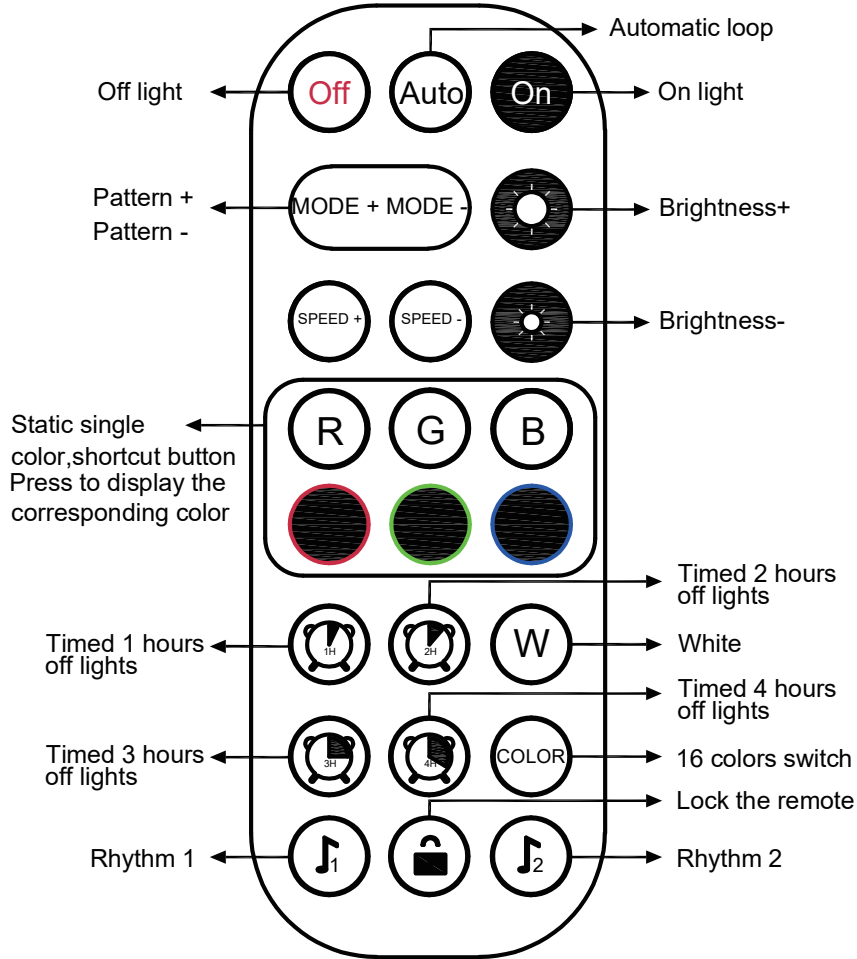


Assembly Instructions

Step15:



Remote Control



You can dim the light with the remote control or scan the QR code to download APP



Problems You May Encounter

PROBLEMS	SOLUTIONS
<p>Non-human caused damage during usage.</p>	<p>Please Keep the product and send us photos of it. We will ascertain the cause of the product damage within 48 hours and provide a satisfactory solution.</p>
<p>Mismatch of screw hole positions between components.</p>	<ol style="list-style-type: none"> 1. Please tighten the screws on the board by 70%, do not tighten completely. 2. Adjust the direction of the component to check that the wrong hole position has not been selected.
<p>Product is unstable after being assembled.</p>	<ol style="list-style-type: none"> 1. Check if the screws are tightened. 2. Read through out the manual, check are there any parts installed incorrectly or missing assembled.
<p>Any missing or damaged components.</p>	<p>To solve the problem. We are committed to providing you with Free component shipping and replacement</p>