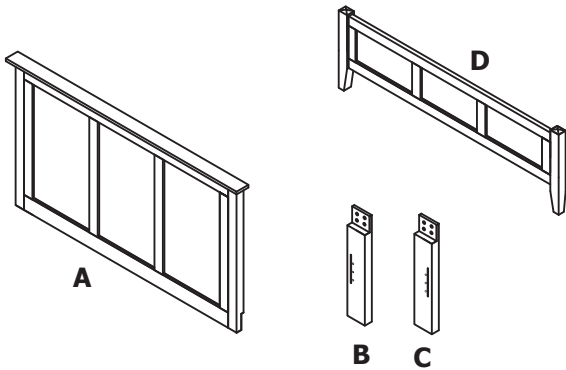


C-KING SIZE ASSEMBLY INSTRUCTIONS

PARTS AND FITTING PACKAGING DETAIL

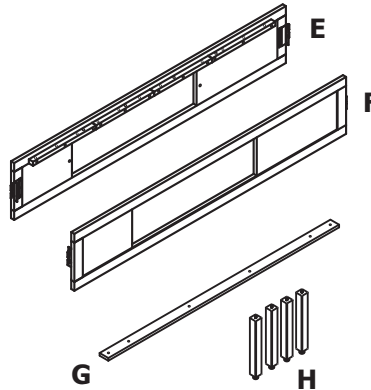
BOX #1

- A. HEADBOARD 1 PC
- B. HEADBOARD LEG - LEFT 1 PC
- C. HEADBOARD LEG - RIGHT 1 PC
- D. FOOTBOARD 1 PC
- HARDWARE BOX*



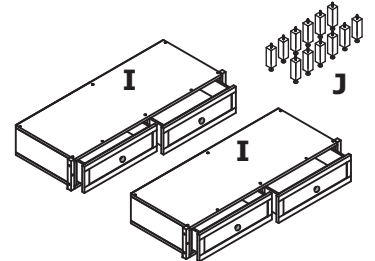
BOX #2

- E. LEFT SIDERAIL 1 PC
- F. RIGHT SIDERAIL 1 PC
- G. CENTER SLAT 1 PC
- H. LONG LEG SUPPORTS 4 PCS
- HARDWARE BOX*



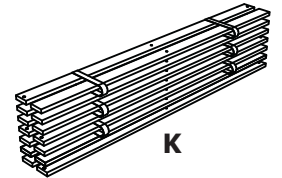
BOX #3

- I. STORAGES 2 PCS
- J. STORAGE FEETS 12 PCS

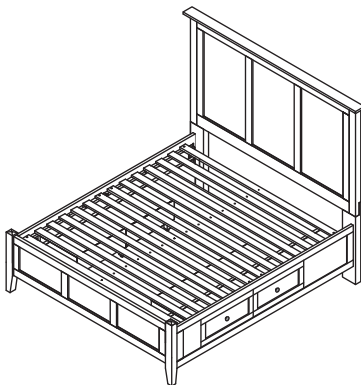


BOX #4

- K. BED SLATS 14 PCS

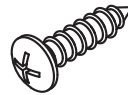


PARAGON STORAGE BED ASSEMBLED

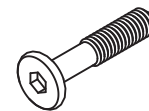
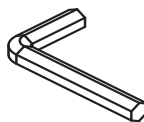


HARDWARE* PACKED IN BOX #2

1	ROUND HEAD SCREW 15MM	12 PCS	2	WOOD SCREW Ø8X30MM	8 PCS
---	-----------------------	--------	---	--------------------	-------



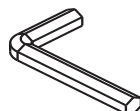
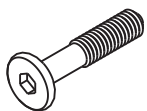
3	ALLEN KEY	1 PC	4	ALLEN BOLT 40MM	18 PCS
---	-----------	------	---	-----------------	--------



**YOUR BOX
MAY CONTAIN
EXTRA HARDWARE**

HARDWARE* PACKED IN BOX #1

1	ALLEN BOLTS 35MM	8 PCS	2	SPRING WASHER	8 PCS	3	WASHER	8 PCS	4	ALLEN KEY	1 PC
---	------------------	-------	---	---------------	-------	---	--------	-------	---	-----------	------



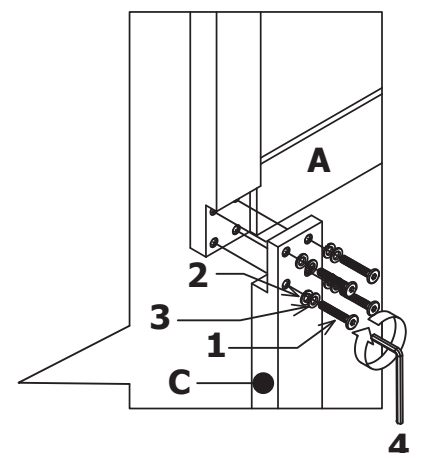
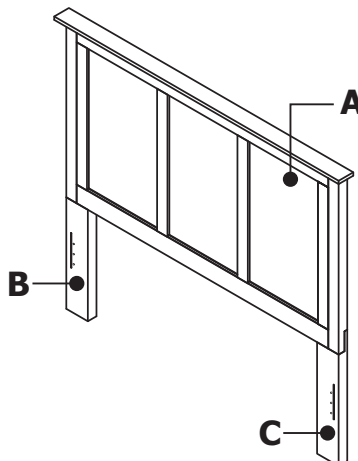
TOOL REQUIRED :
PHILLIPS HEAD SCREW DRIVER (NOT PROVIDED)



STEP 1 :

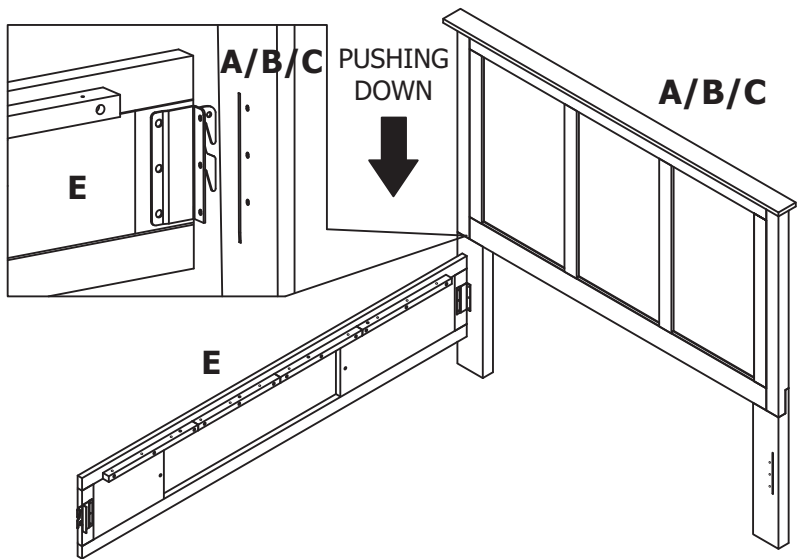
FOLLOW THE ILLUSTRATION, PUT THE ALLEN BOLT IN THE PREDILLED HOLE ARE TURNING TO UNIFY THE HEADBOARD LEG (B/C) TO THE HEADBOARD PANEL (A)

***FOR STEP 1 USE HARDWARE PACKED IN BOX #1**



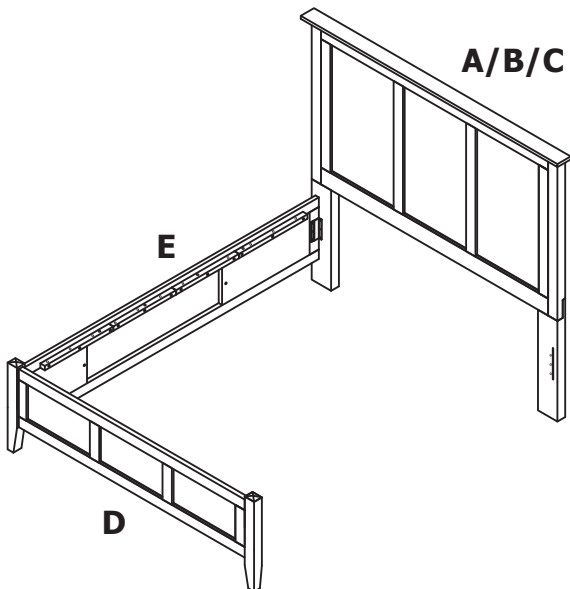
STEP 2 :

FIX LEFT SIDERAIL (E) TO THE HEADBOARD ASSY (A/B/C) BY SLIDING IN THE HOOK INSTALLED AT THE END OF LEFT SIDERAIL (E) TO THE HEADBOARD ASSY (A/B/C), AND PUSH DOWN THE LEFT SIDERAIL (E) TO SECURE THE CONNECTION.



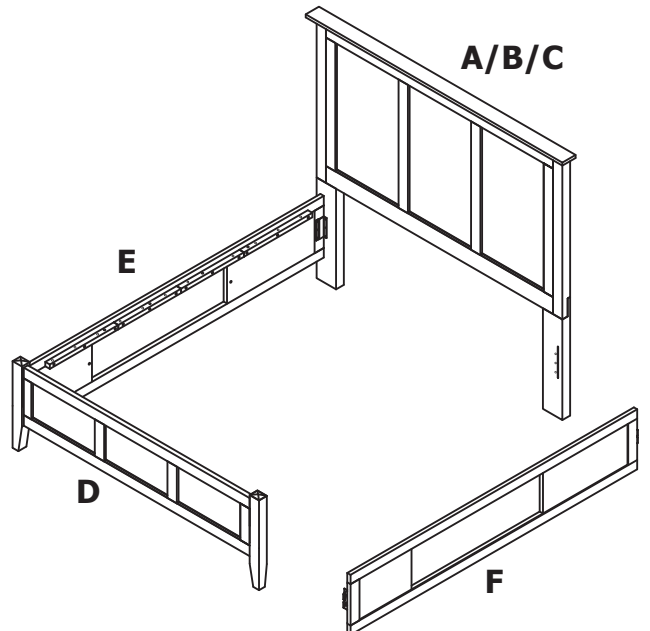
STEP 3 :

FIX THE OTHER END OF LEFT SIDERAIL (E) TO THE FOOTBOARD (D).



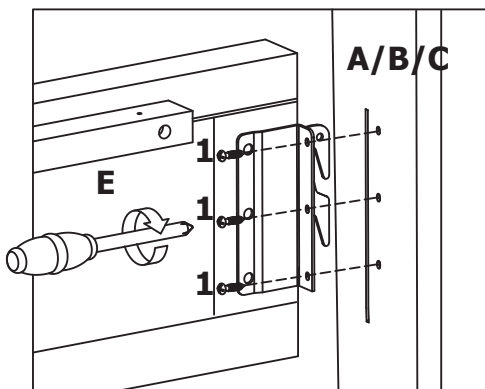
STEP 4 :

FIX RIGHT SIDERAIL (F) TO THE HEADBOARD ASSY (A/B/C) AND FOOTBOARD (D).



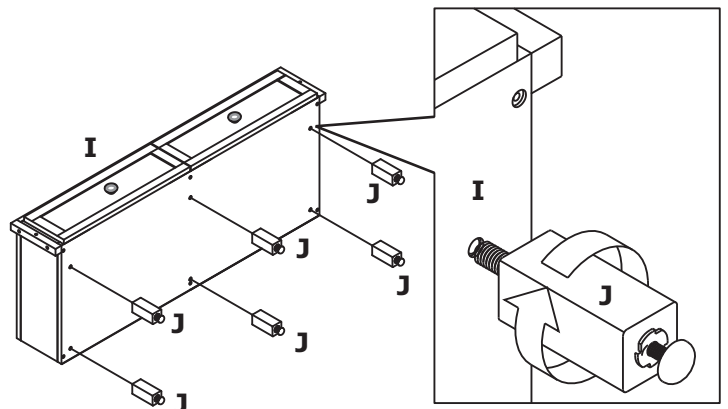
STEP 5 :

SECURE BOTH SIDERAILS (E,F) TO THE HEADBOARD ASSY (A/B/C) AND FOOTBOARD (D) USING ROUND HEAD SCREWS (1) AS SHOWN IN THE ILLUSTRATION.



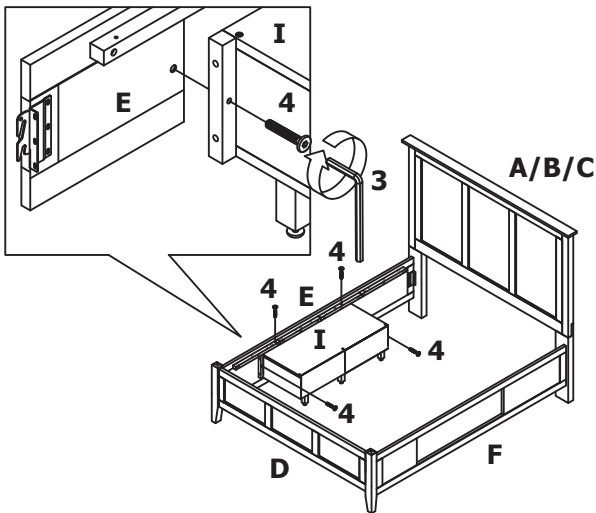
STEP 6 :

REMOVE PLASTIC COVER FROM STORAGE FEET (J) BOLT. FOLLOW THE ILLUSTRATION TO FIX STORAGE FEET (J) TO STORAGE (I).



STEP 7 :

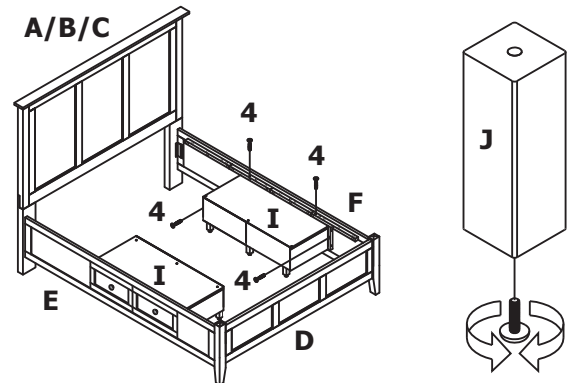
FOLLOW THE ILLUSTRATION TO FIX STORAGE (I) TO LEFT SIDERAIL (E) USING ALLEN BOLTS (4). USE ALLEN KEY (3) TO TIGHTEN THE BOLTS.



STEP 8 :

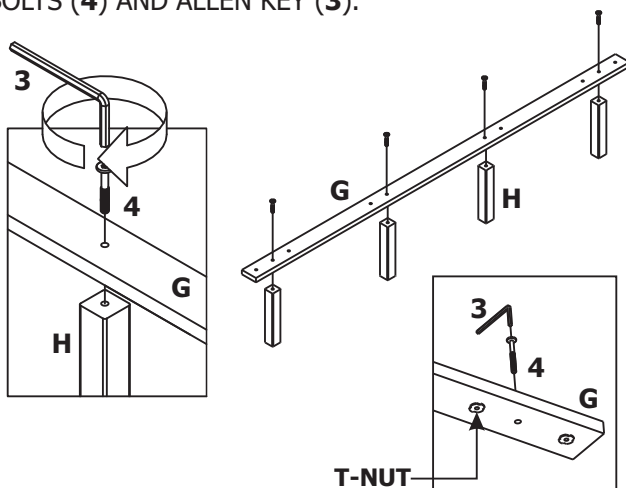
FIX STORAGE (I) TO RIGHT SIDERAIL (F) USING ALLEN BOLTS (4).

TURN LEVELER UNDERNEATH STORAGE FEET (J) TO ADJUST THE STORAGE (I) LEVEL AS SHOWN ON ILLUSTRATION.



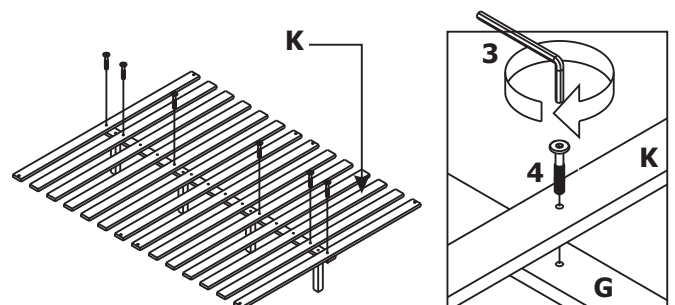
STEP 9 :

ARRANGE CENTER SLAT (G) SO THAT T-NUTS ARE FACING THE FLOOR. SLIDE ALLEN BOLTS (4) FROM TOP OF CENTER SLAT (G) INTO THE 2ND, 5TH, 6TH, AND 9TH PREDRILLED HOLES. FIX LONG LEG SUPPORT (H) TO CENTER SLAT (G) USING ALLEN BOLTS (4) AND ALLEN KEY (3).



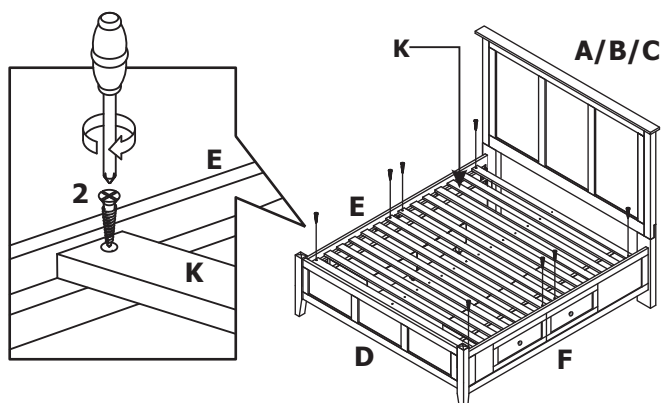
STEP 10 :

FOLLOW THE ILLUSTRATION TO SPREAD OUT ALL THE BED SLATS (K). SLIDE CENTER SLAT (G) UNDER BED SLATS (K). SLIDE ALLEN BOLTS (4) FROM TOP OF BED SLATS (K) THROUGH PRE-DRILLED HOLES ON 1ST, 2ND, 5TH, 10TH, 13TH AND 14TH BED SLATS. TIGHTEN ALLEN BOLTS (4) WITH ALLEN KEY (3) TO SECURE BED SLATS (K) TO CENTER SLAT (G).



STEP 11 :

FOLLOW THE ILLUSTRATION TO PLACE THE BED SLATS (K) ON THE BED FRAME. SPREAD BED SLATS (K) ON BED FRAME. FIX 1ST, 7TH, 8TH, AND 14TH BED SLATS TO BED FRAME USING WOOD SCREWS (2). USE PILOT HOLES ON SIDERAILS (E,F) AS REFERENCE FOR CORRECT PLACEMENT.

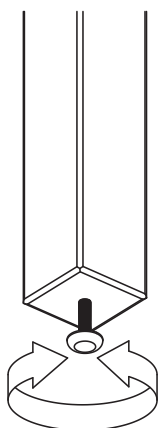


INSTRUCTIONS FOR ADJUSTING LEVELERS:

POSITION THE BED IN YOUR ROOM. LOCATE LEVELERS UNDER EACH CENTER LEG (H).

TURN COUNTER-CLOCKWISE TO EXTEND, CLOCKWISE TO CONTRACT.

ADJUST LEVELERS UNTIL EACH LEG IS APPLYING EQUAL UPWARD PRESSURE ON THE CENTER SLAT.



MAINTENANCE INSTRUCTIONS:

- REMOVE BOX SPRING AND MATTRESS BEFORE MOVING YOUR BED.
- LIFT YOUR BED WHEN MOVING IT. DRAGGING CAN DAMAGE CENTER SUPPORT.
- READJUST LEVELERS AFTER MOVING YOUR BED.