

LEFTON

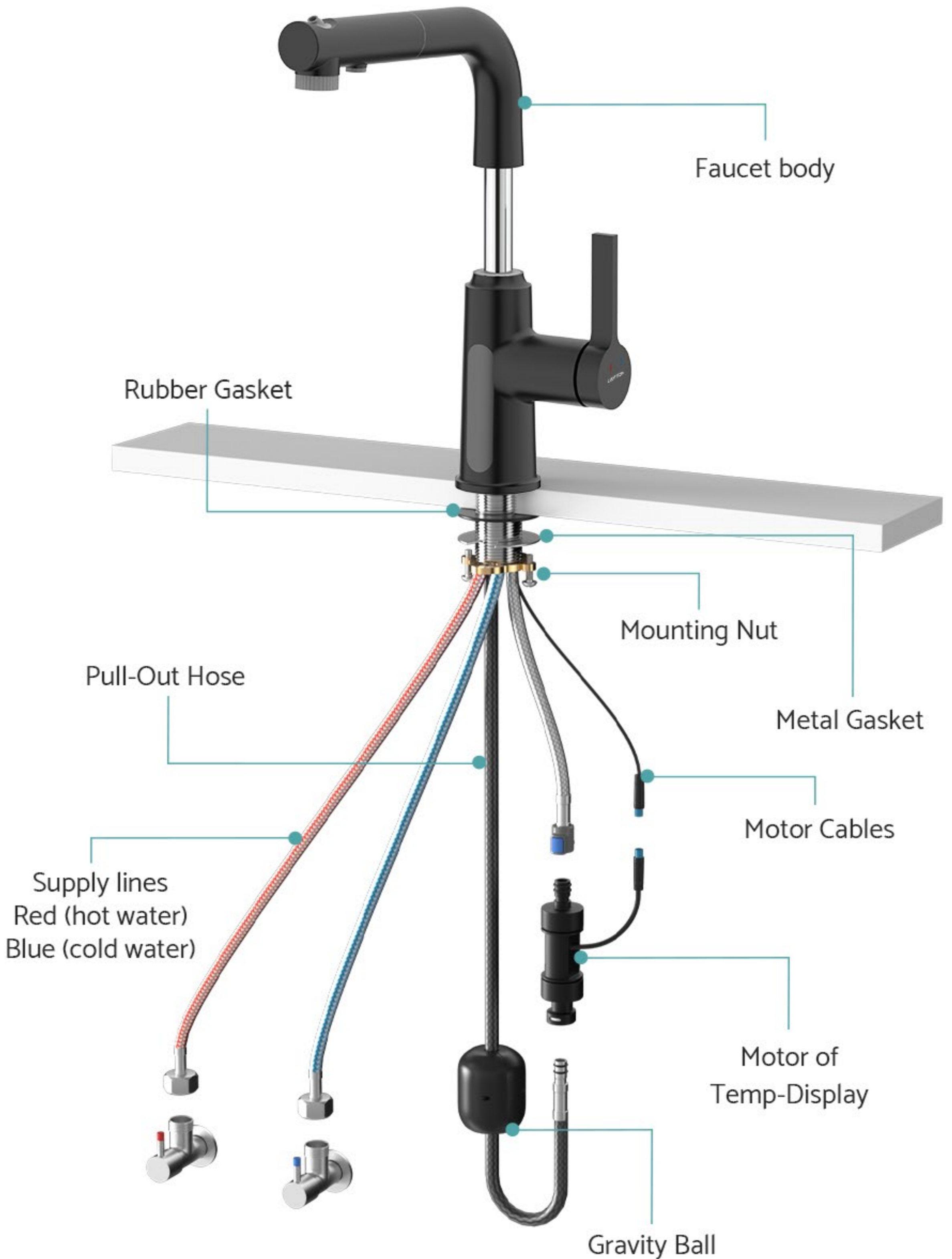
# INSTALLATION MANUAL



Pull-Down Bathroom Faucet  
with Temperature Display

**BF2501**

# Diagram and Parts List



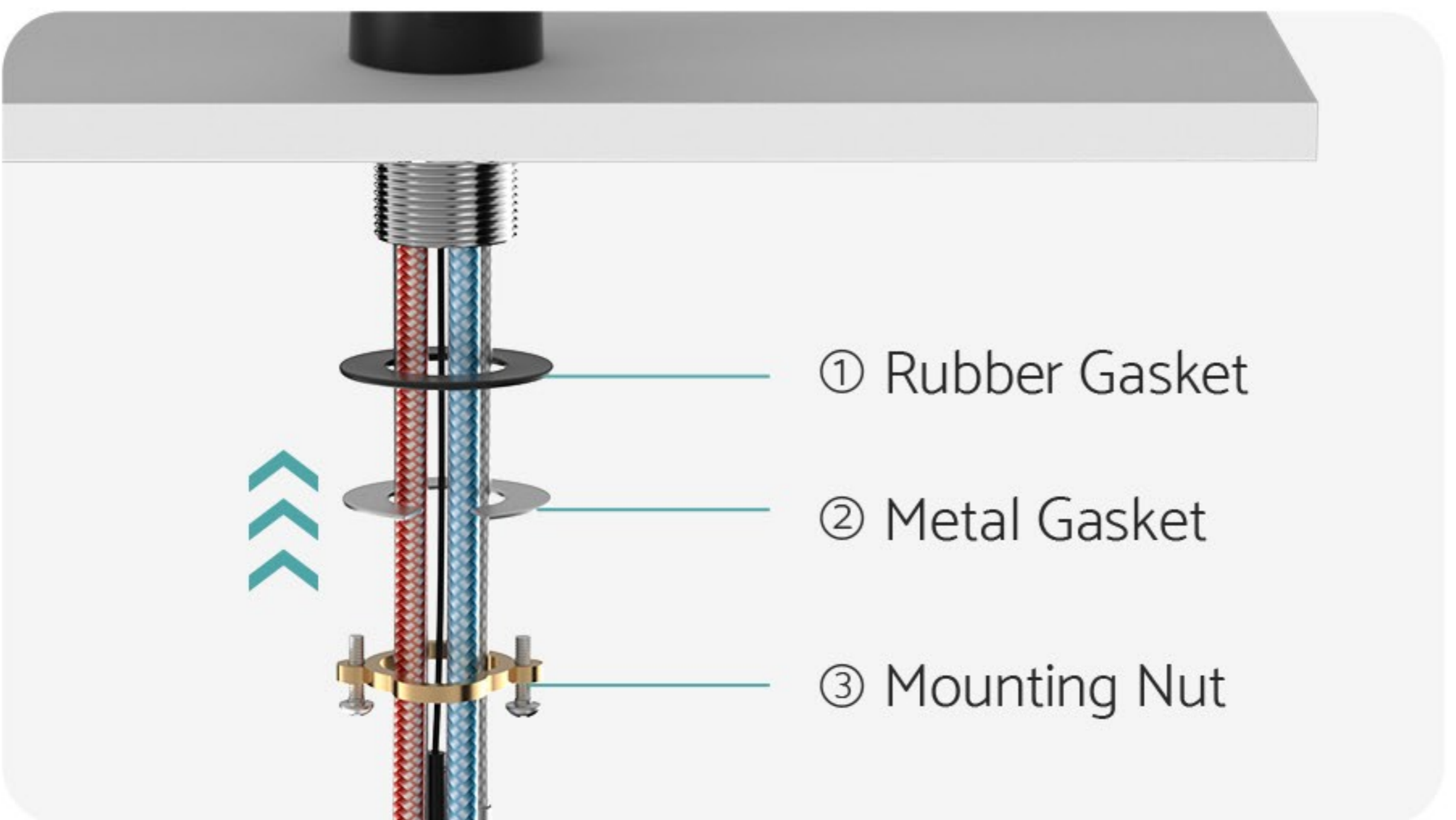
## STEP 1:

Install the faucet to the countertop.



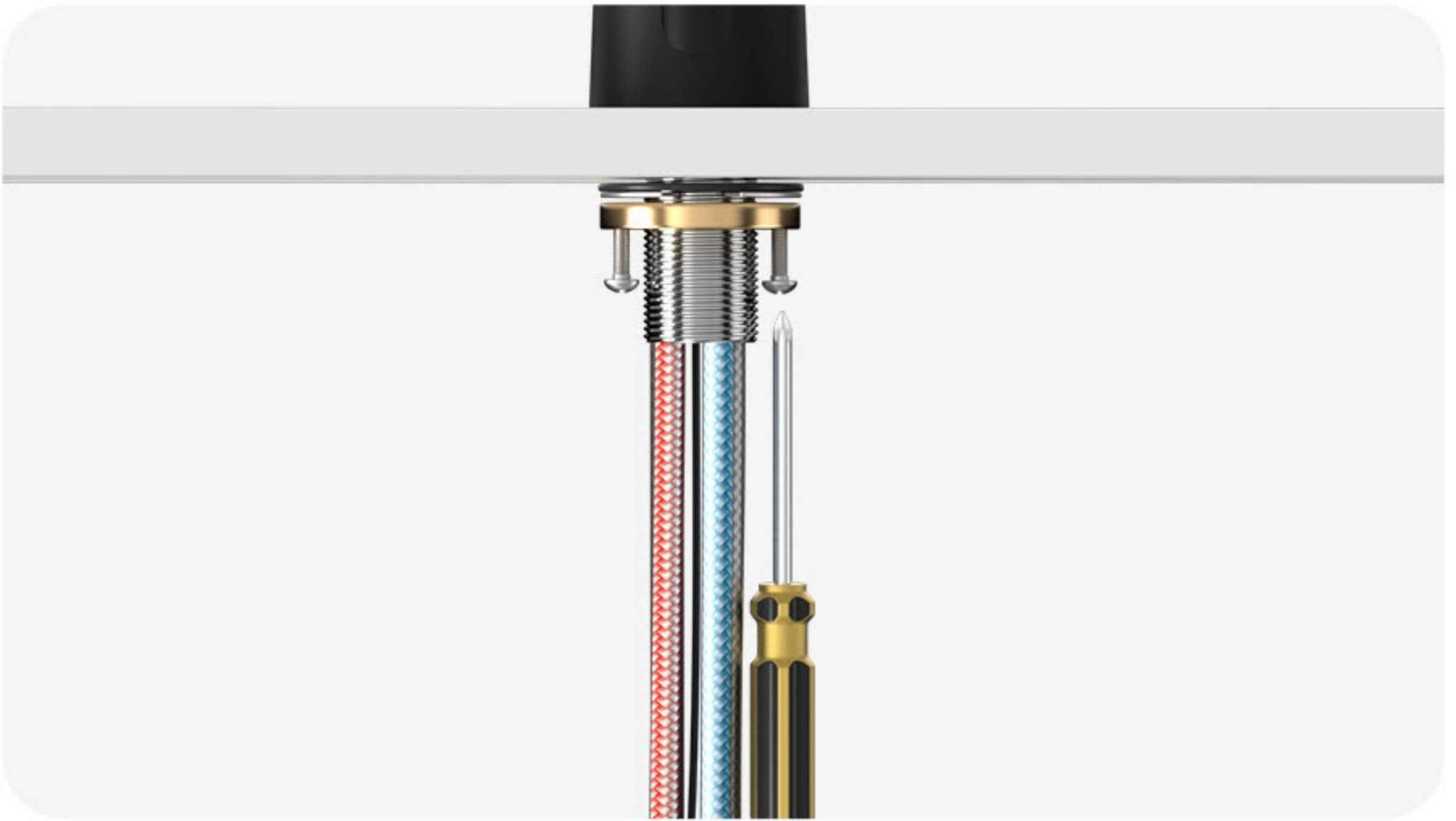
## STEP 2:

Install gaskets, nut and fasten the screws.



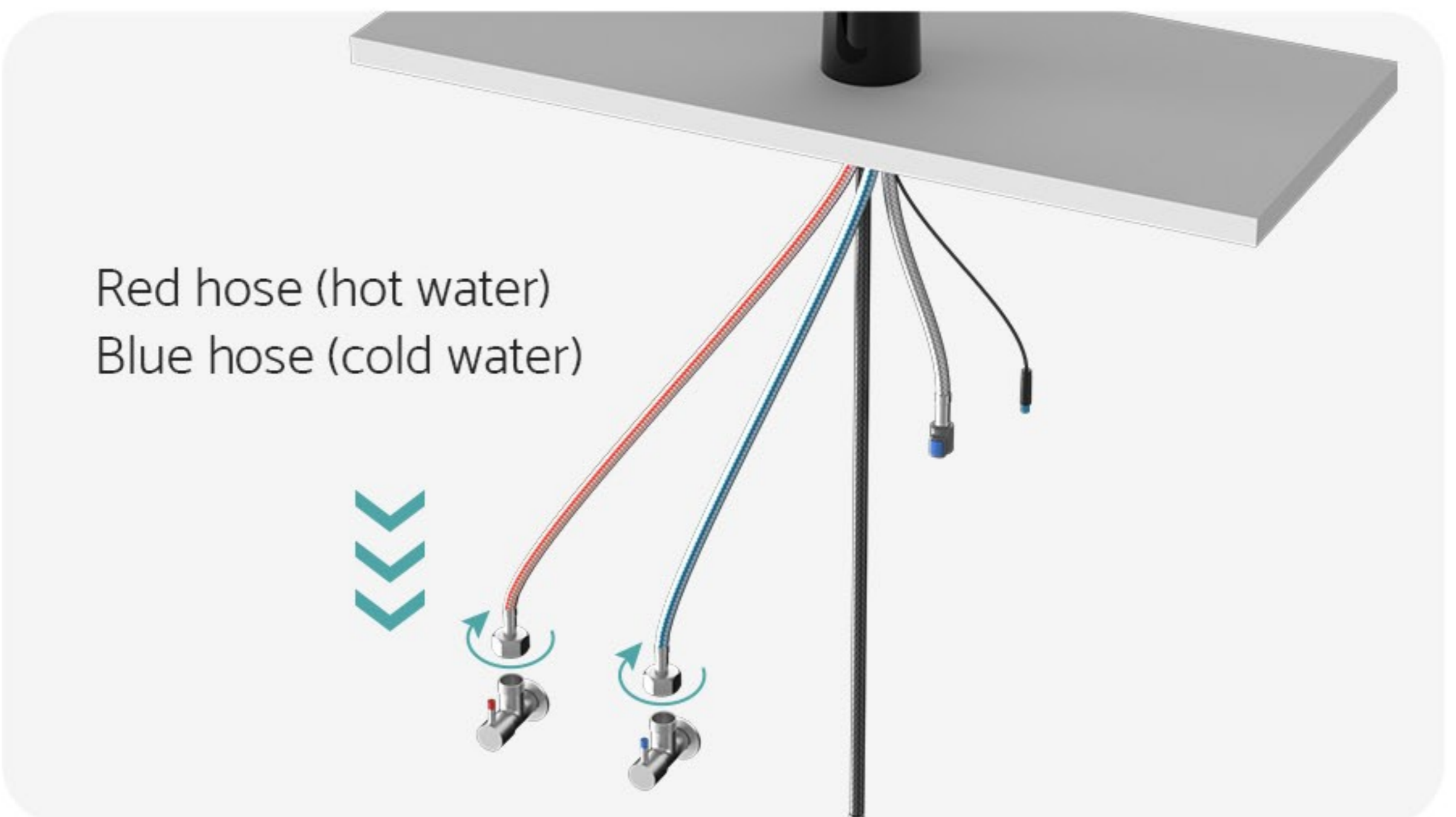
## STEP 3:

Fasten the screws with the screwdriver.



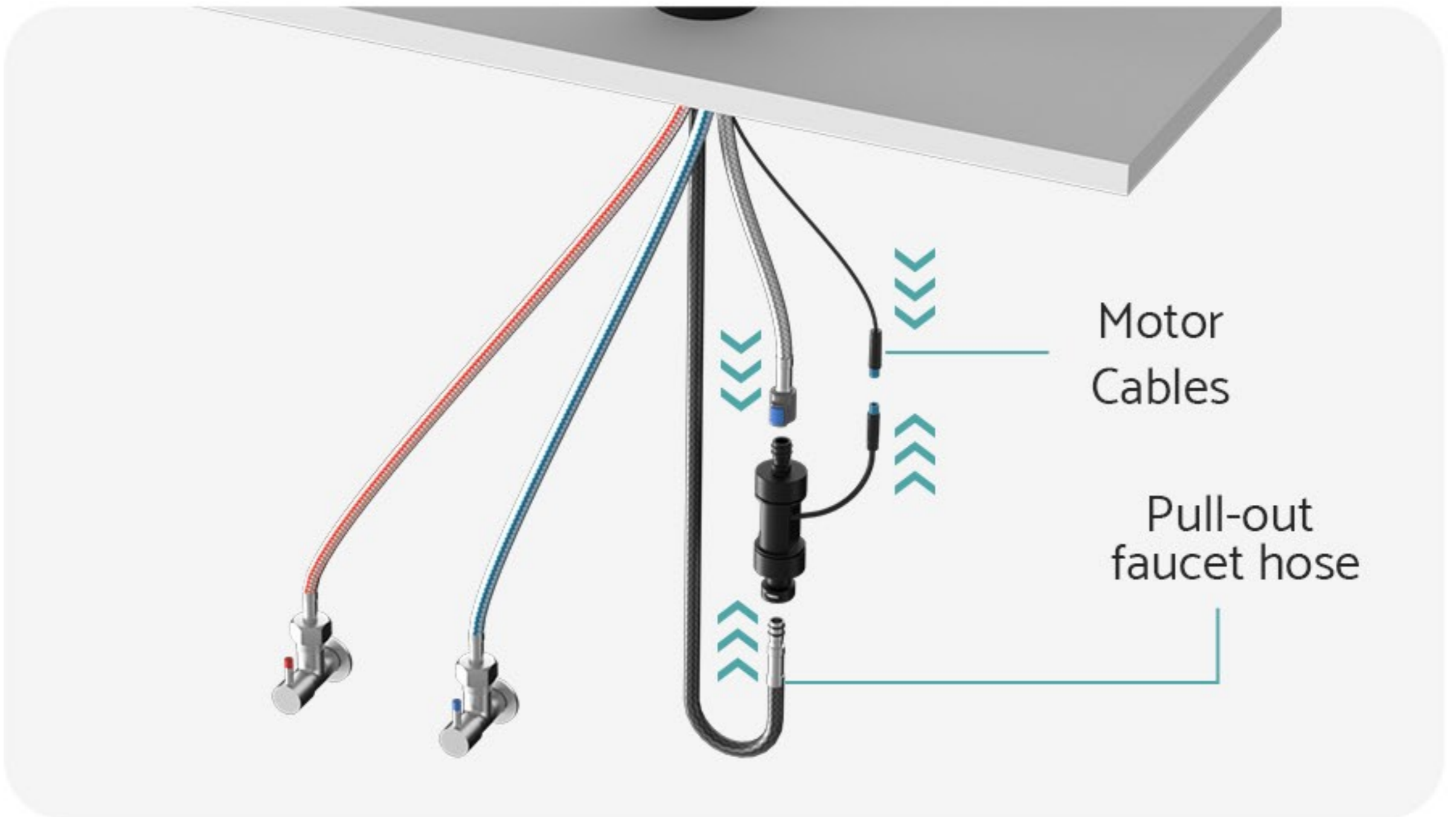
## STEP 4:

Connect the hot, cold water lines, and tighten them clockwise.



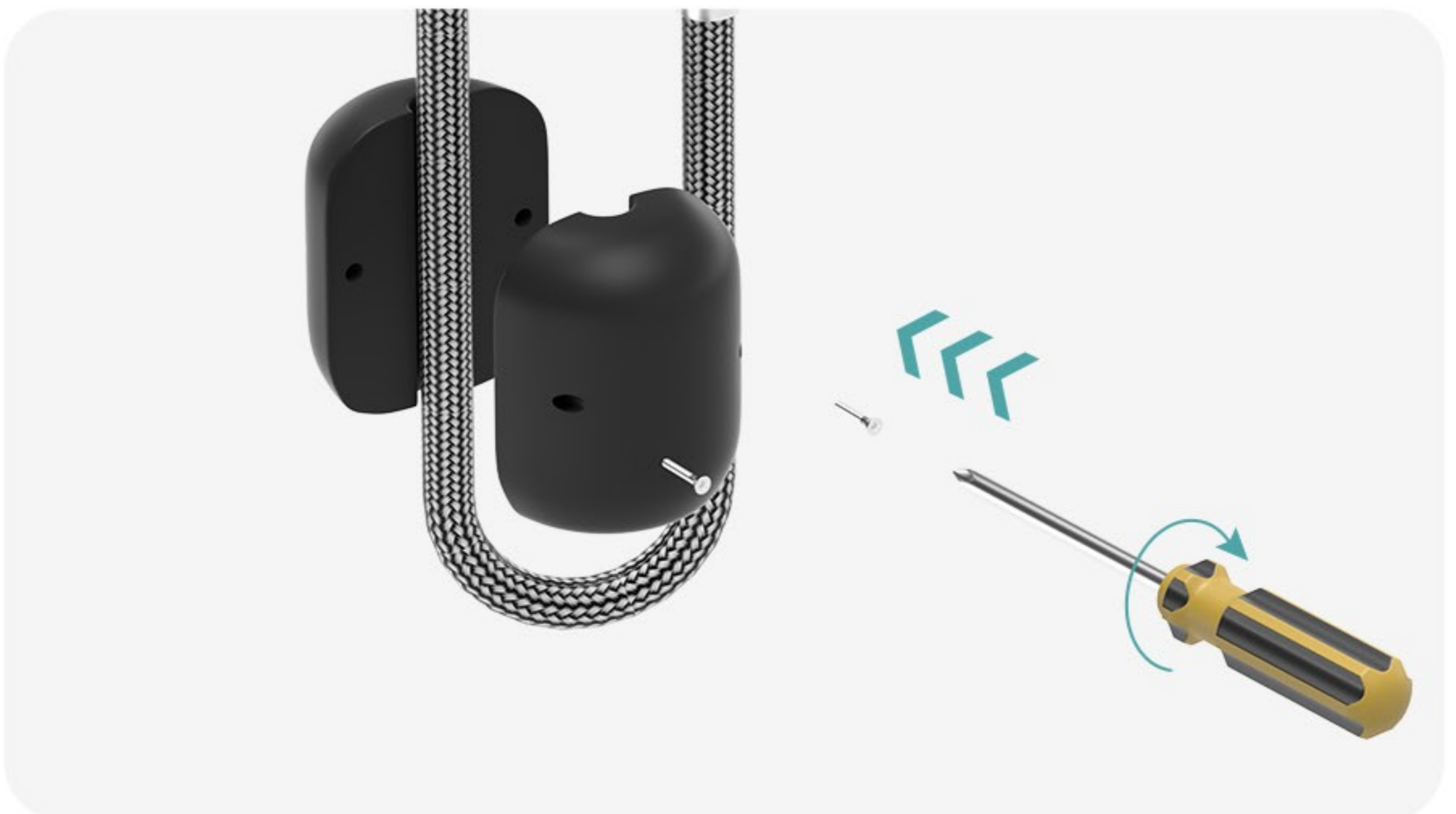
## STEP 5:

Connect the motor cables and hose.



## STEP 6:

Attach the gravity ball as shown in the picture below and attach it to the pull-out faucet hose.



## STEP 7:

Turn the faucet on and check for leaks.

