

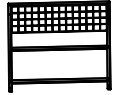


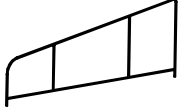



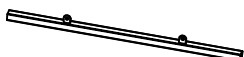



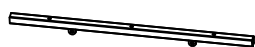




Installation Manual




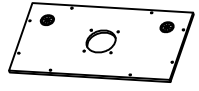



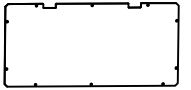






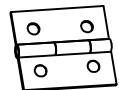
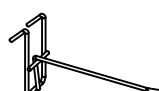
Laser Engraver Enclosure Cabinet



Customer Service: ahomrt@163.com




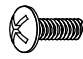




Parts List

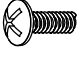


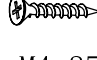



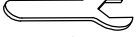
Number	Parts	Quantity
1		1PC
2		1PC
3		1PC
4		6PCS
5		1PC
6		1PC
7		2PCS
8		1PC
9		1PC
10		1PC
11		1PC
12		1PC
13		2PCS
14		4PCS
15		4PCS
16		1PC

Number	Parts	Quantity
17		1PC
18		1PC
19		1PC
20		1PC
21		1PC
22		1PC
23		1PC
24		1PC
25		1PC
26		2PCS
27		1PC
28		4PCS
29		1PC
30		1PC
31		4PCS
32		2PCS


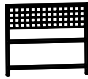


Hardware List

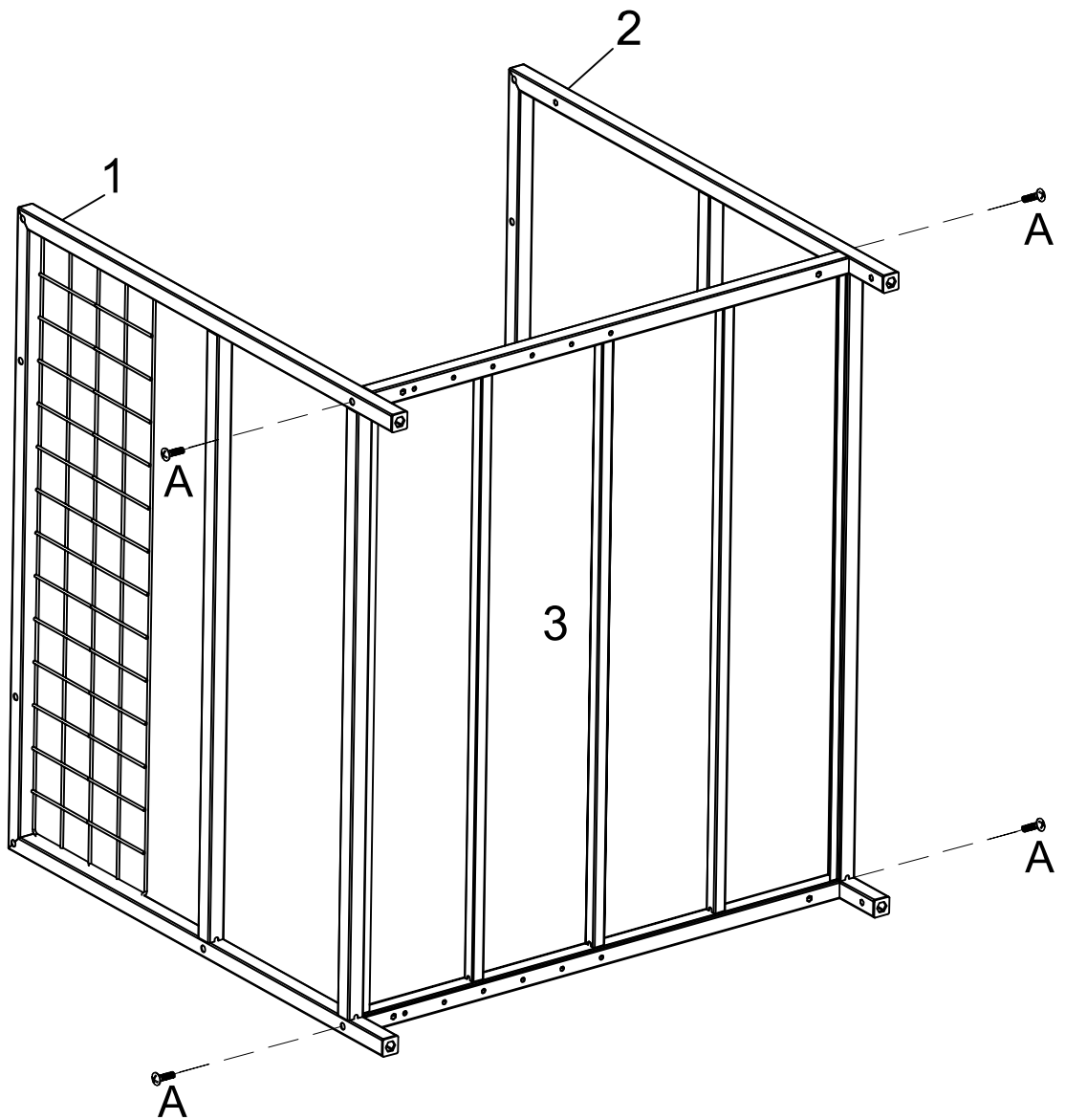
- Carefully remove **all** the parts from the carton and place them individually on a softcloth to prevent scratches or other damage.
- Carefully and strictly follow these assembly&installation instructions to ensure acompleted product as designed.
- Do not tighten **all** the screws until each part is properly assembled.

Number	Parts	Quantity
A	 M6x35	18PCS
B	 M6x35	6PCS
C	 M4x20	6PCS
D	 M4x12	16PCS
E	 M6x30	4PCS
F	 M6x16x2	4PCS
G	 M8	1PC
H	 M4x9x1	8PCS

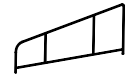
Number	Parts	Quantity
I	 M4x10	72PCS
J	 M4	4PCS
K	 M6x10	12PCS
L	 M4x25	4PCS
M	 M4x60	4PCS
N		2PCS
O		4PCS
P	 M4	1PC

Step 1

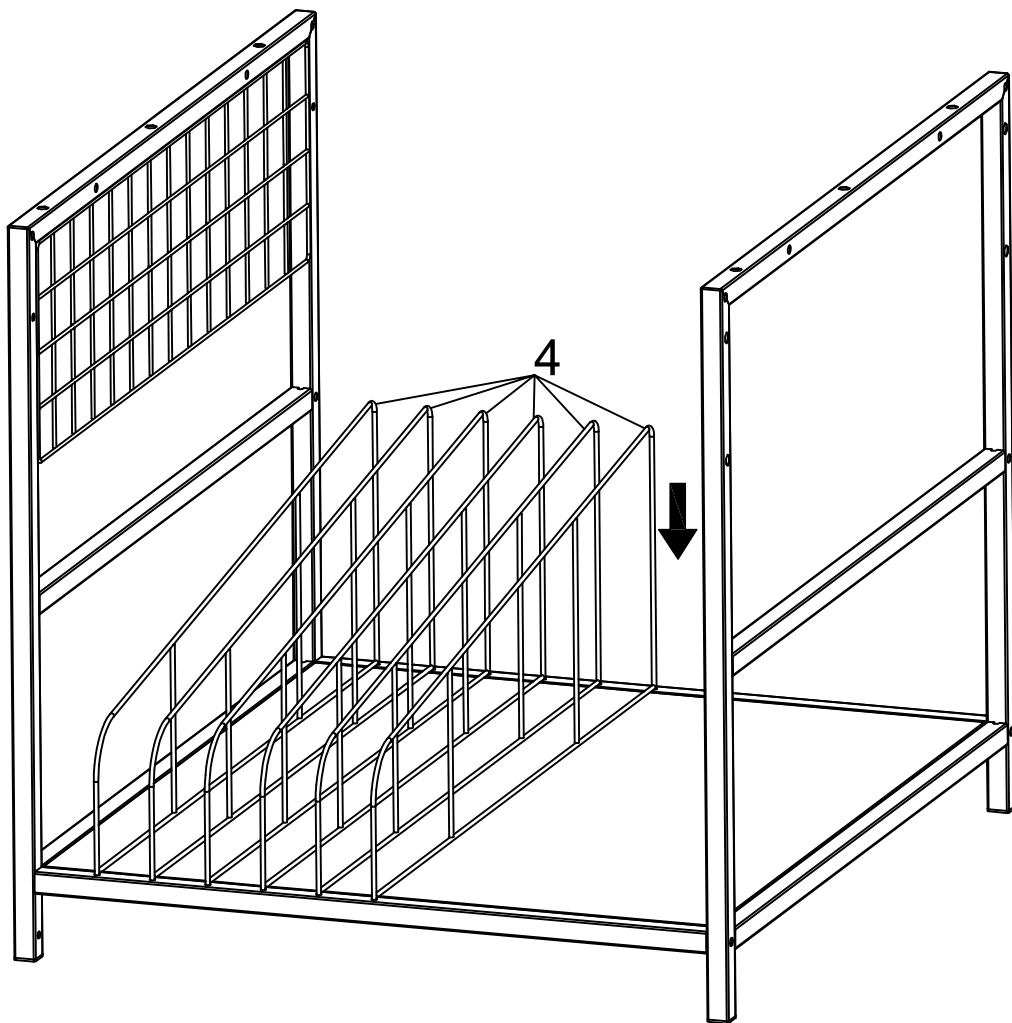
	A x 4
	1 x 1
	2 x 1
	3 x 1



Step 2



4 x 6



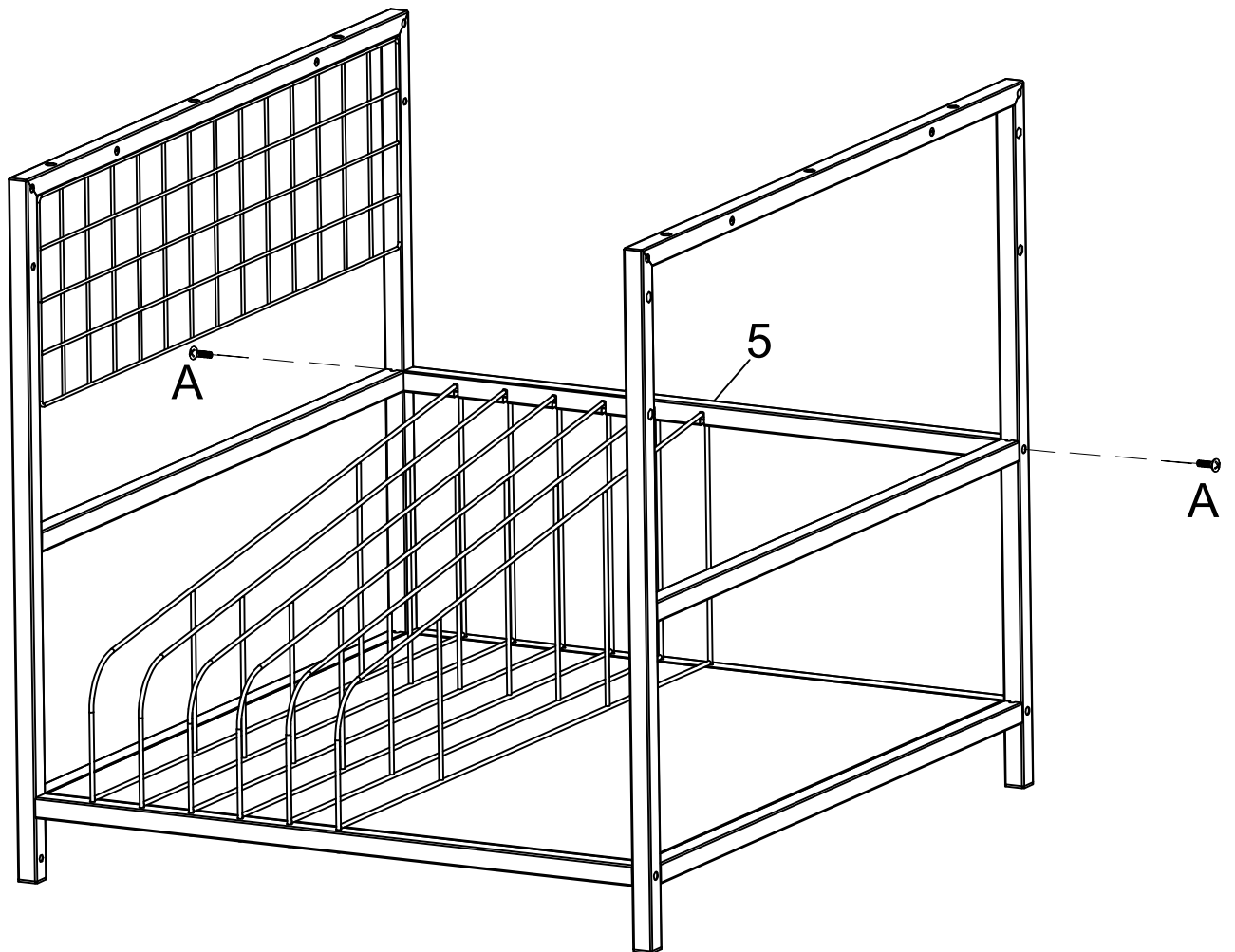
Step 3



A x 2



5 x 1



Step 4

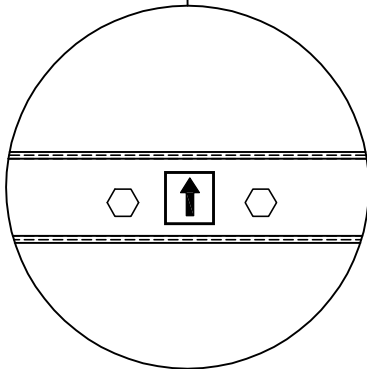
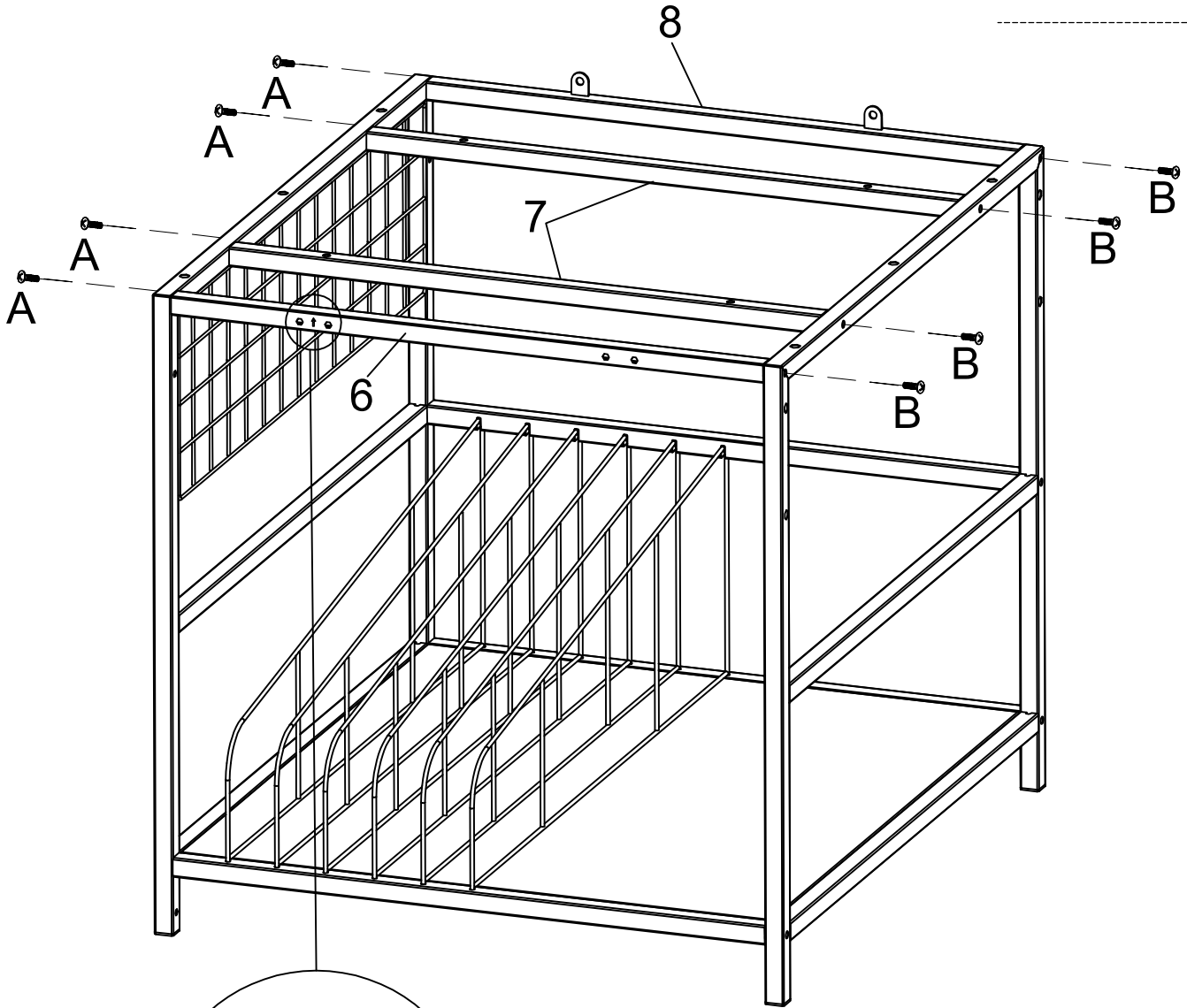
 A x 4

 B x 4

 6 x 1

 7 x 2

 8 x 1



Step 5



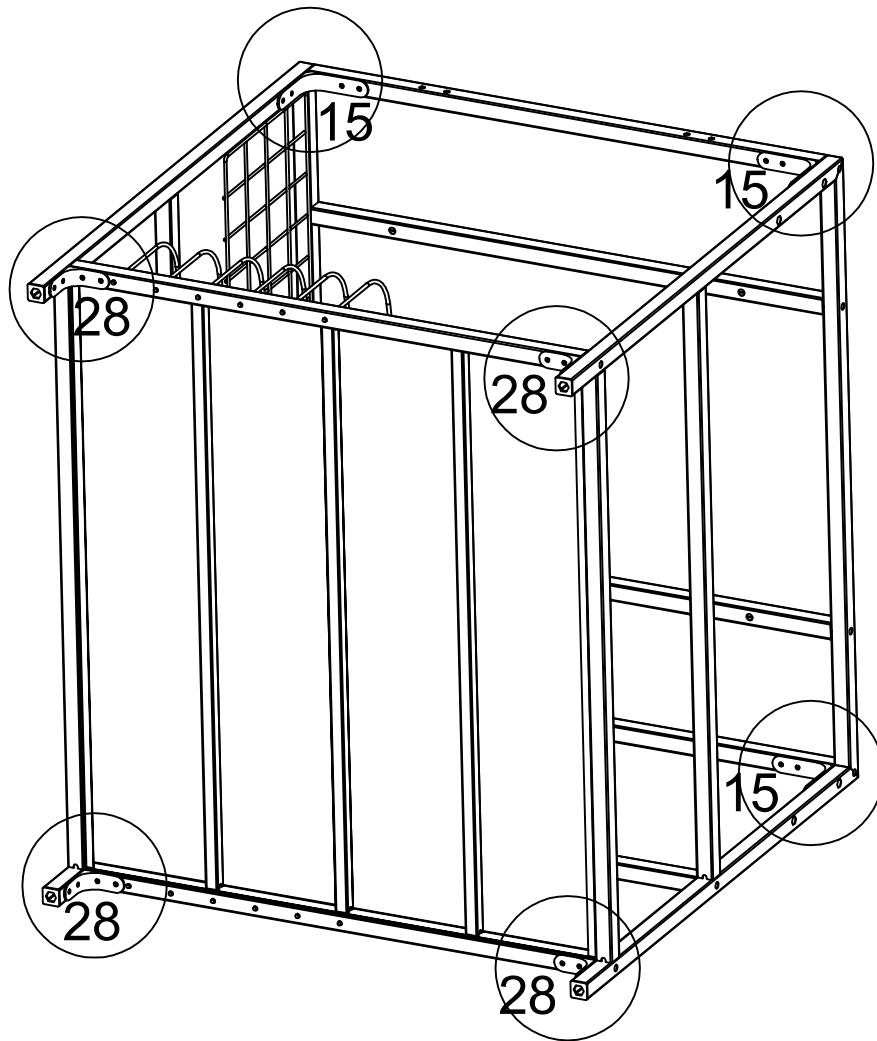
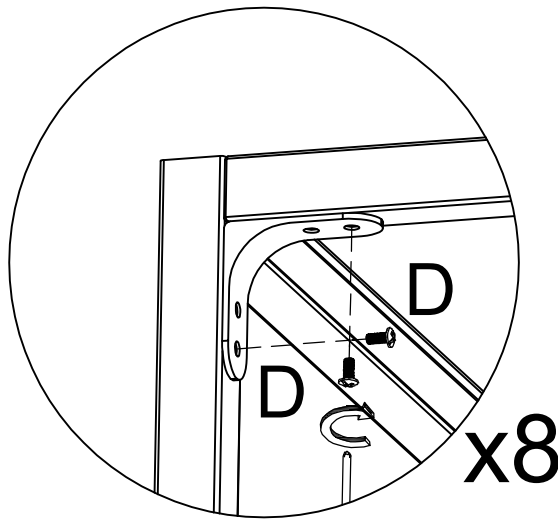
D x 16



15 x 4



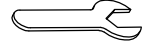
28 x 4



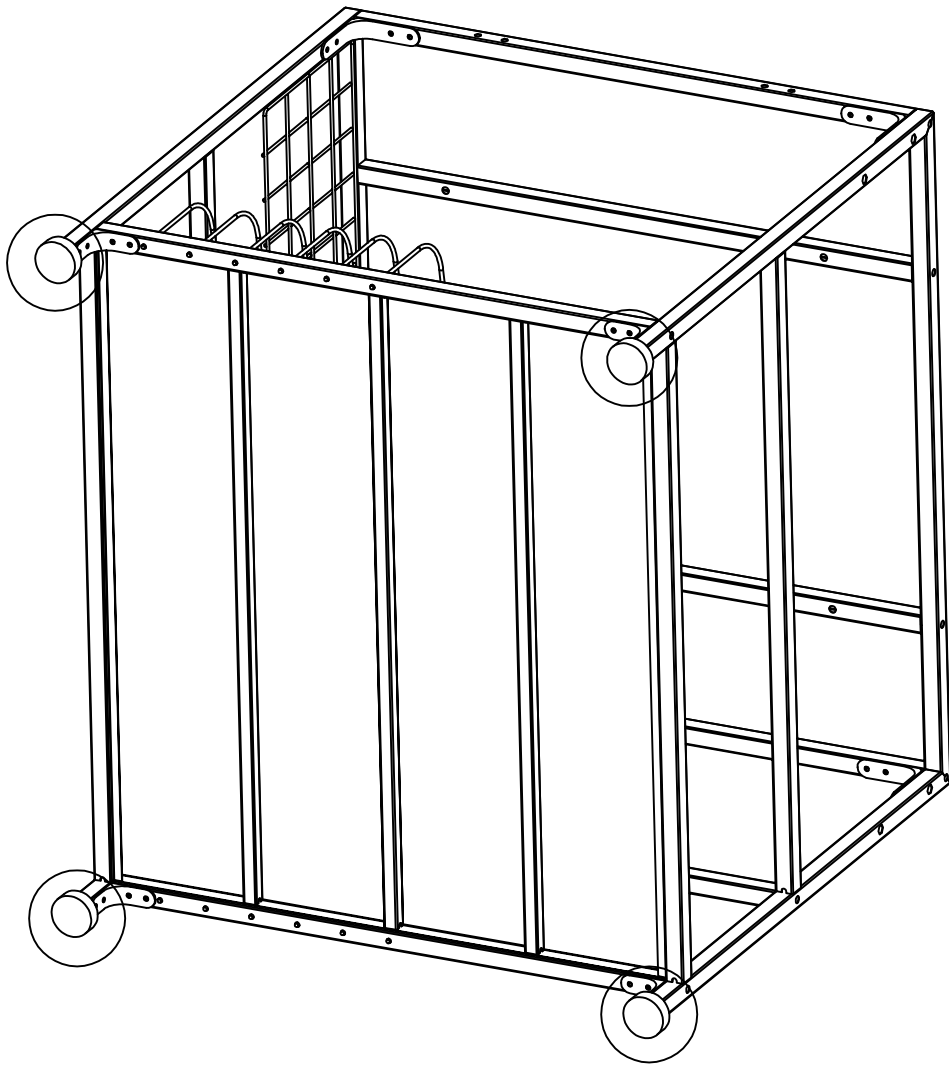
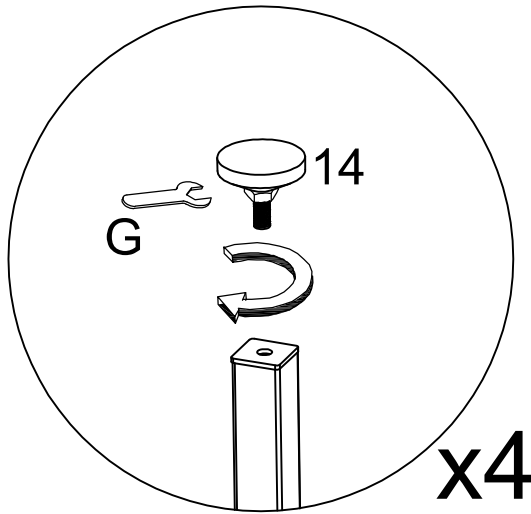
Step 6



14 x 4



G x 1



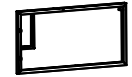
Step 7



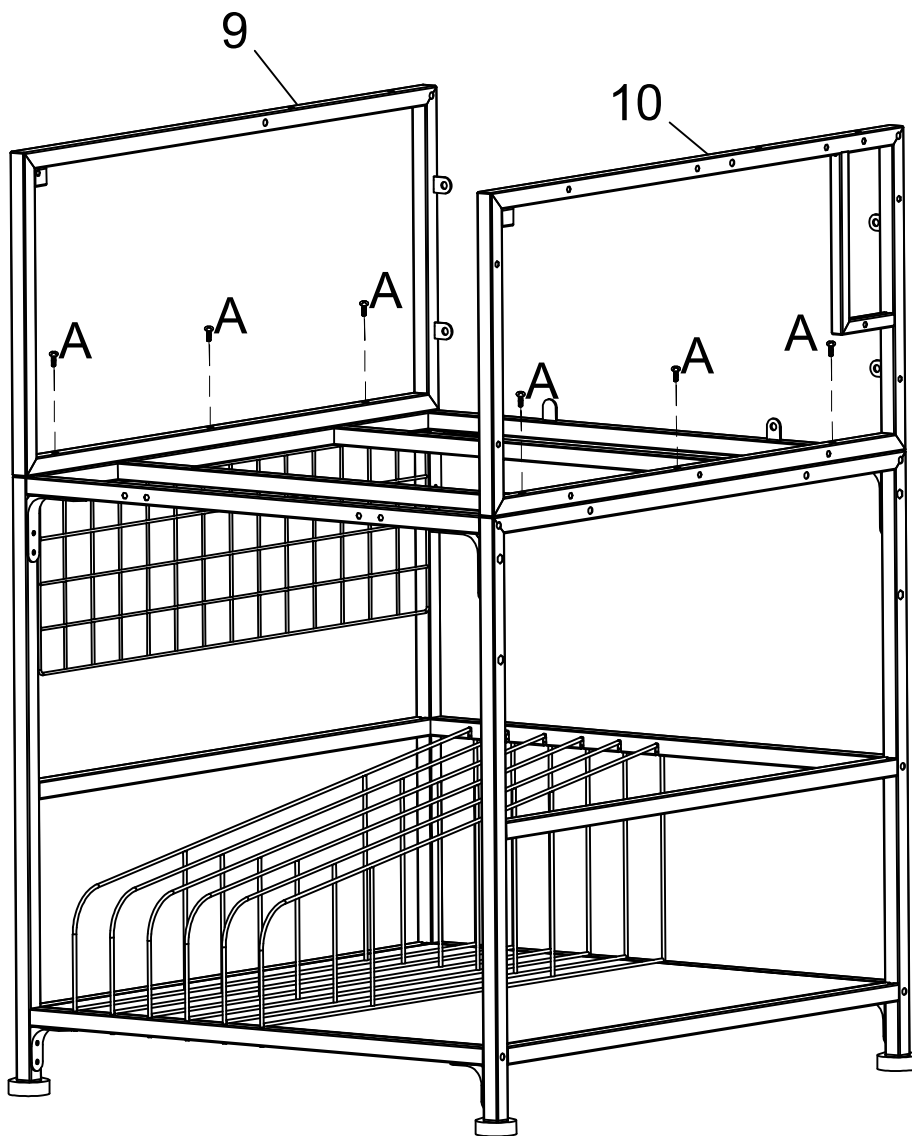
A x 6



9 x 1



10 x 1



Step 8



A x 2



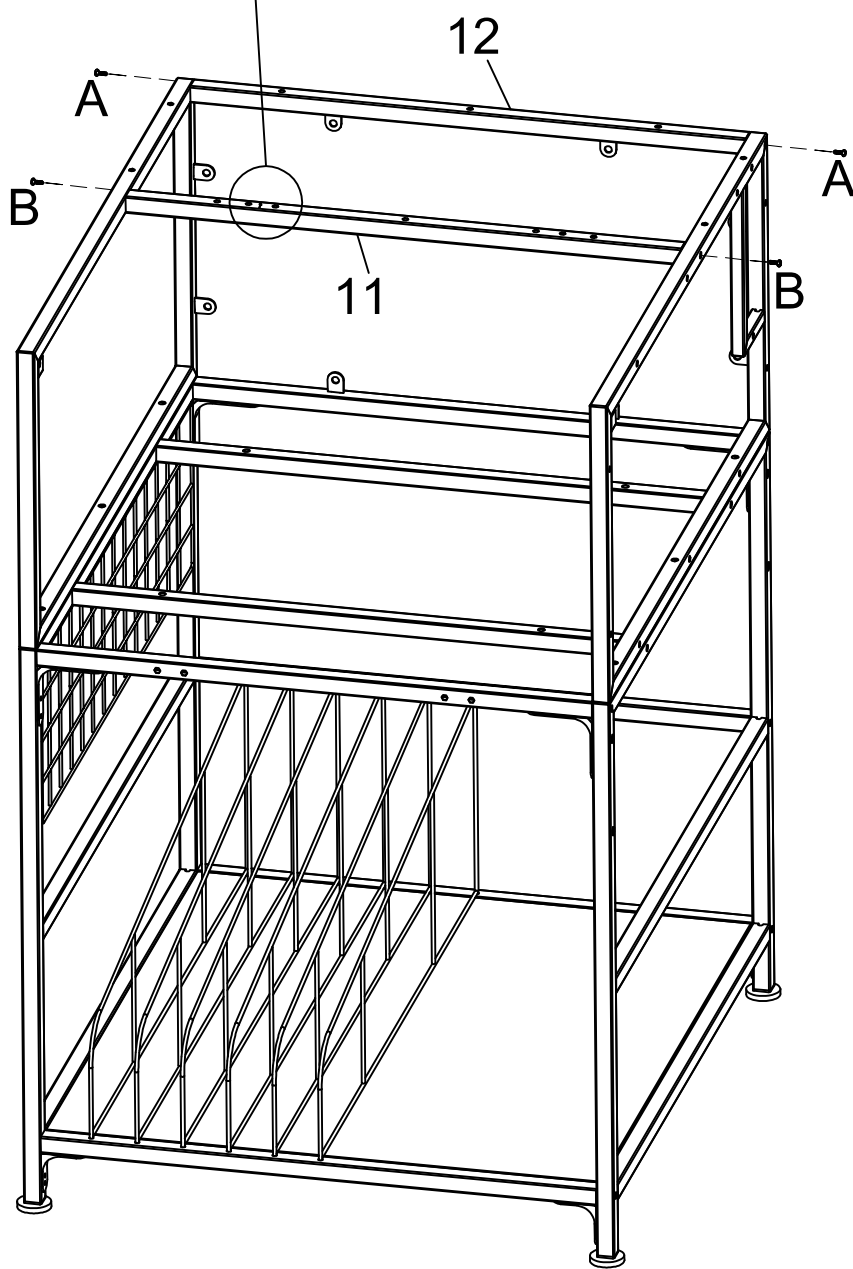
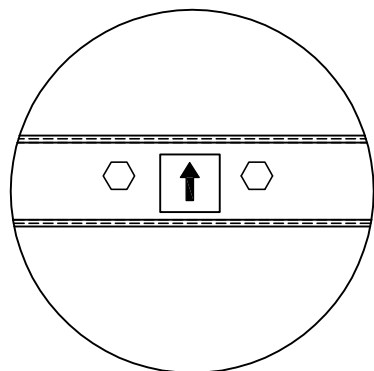
B x 2



11 x 1



12 x 1



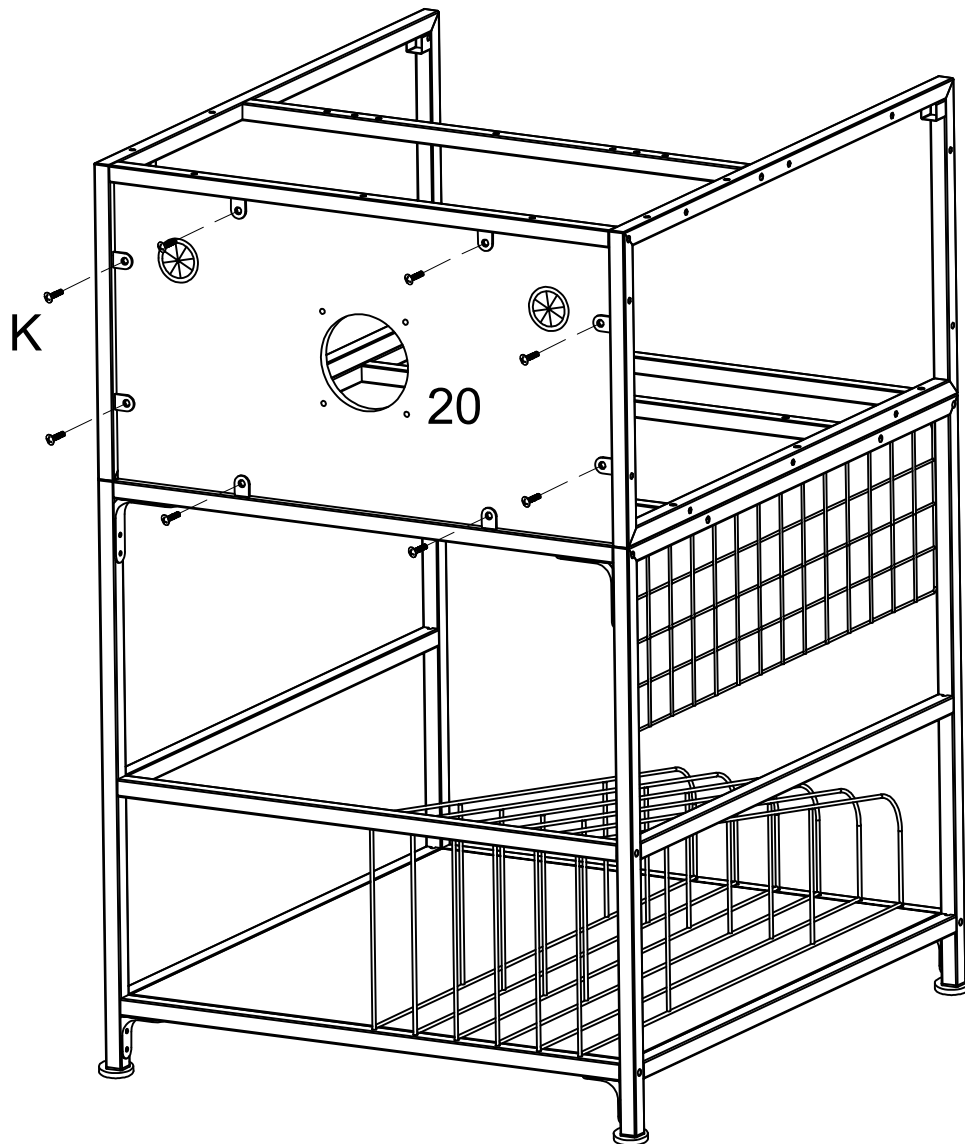
Step 9



K x 8



20 x 1



Step 10



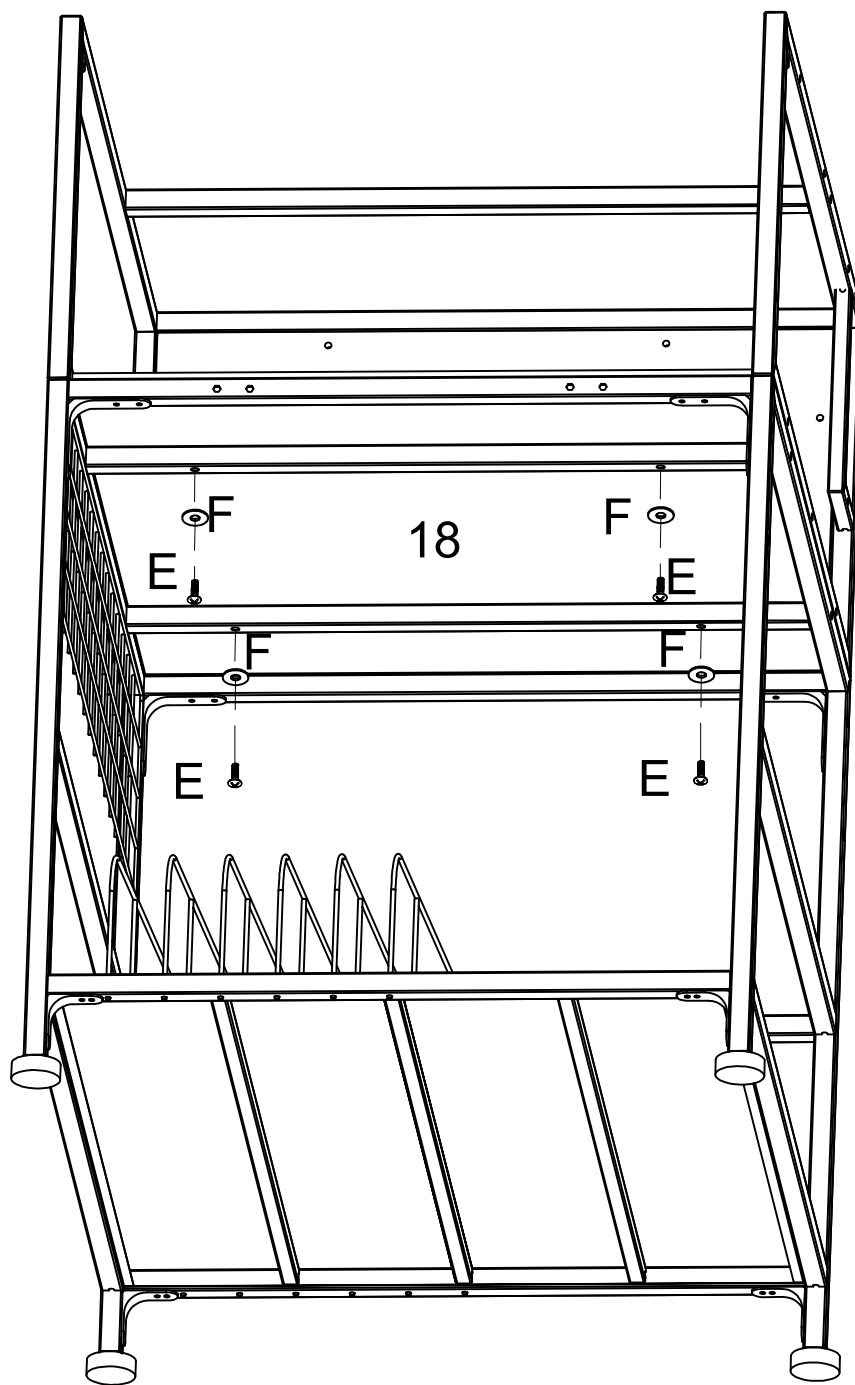
E x 4



F x 4

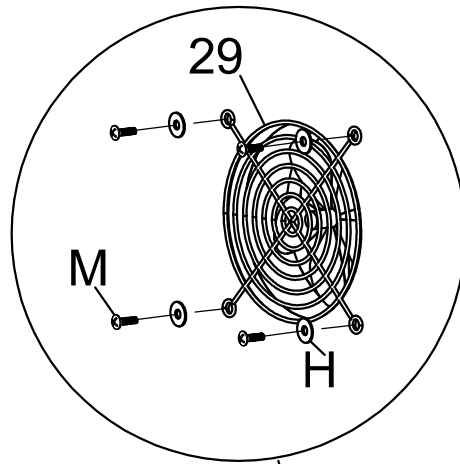
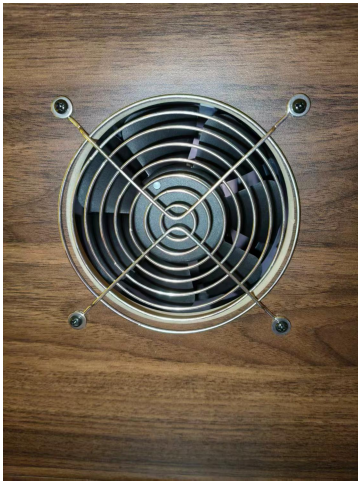


18 x 1



Step 11

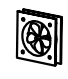


The front of the wooden board



 J x 4

 M x 4

 H x 8

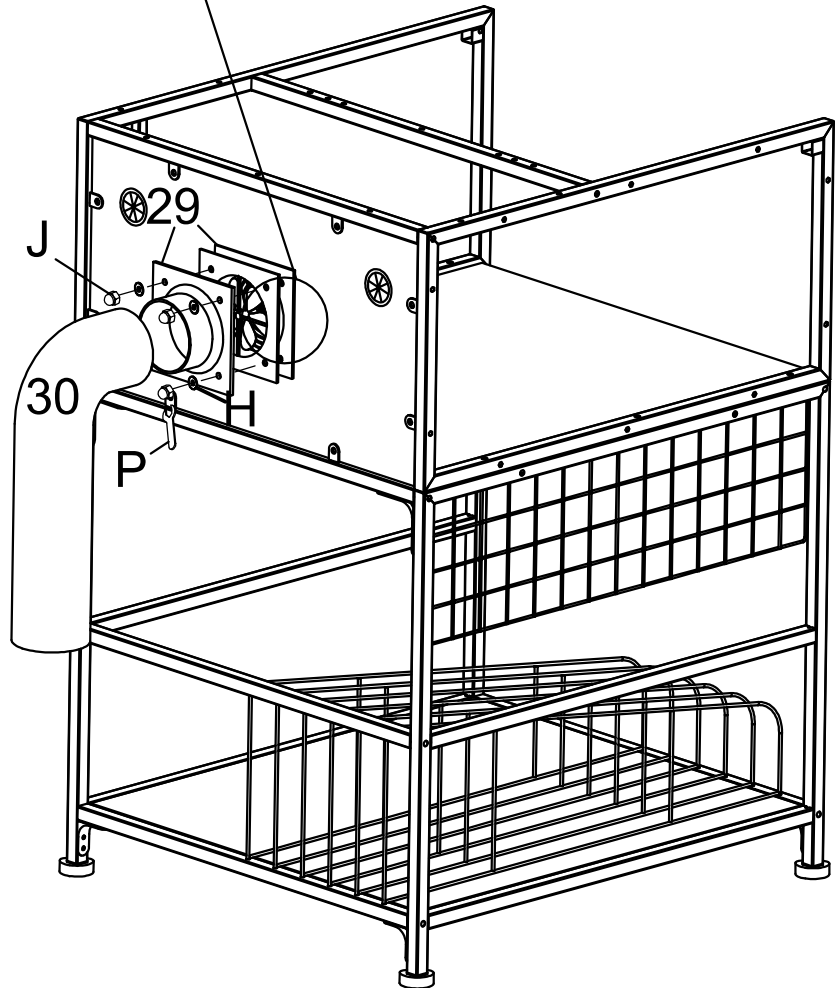
   29 x 1

 30 x 1

 P x 1



After putting on the tube, tighten this switch.



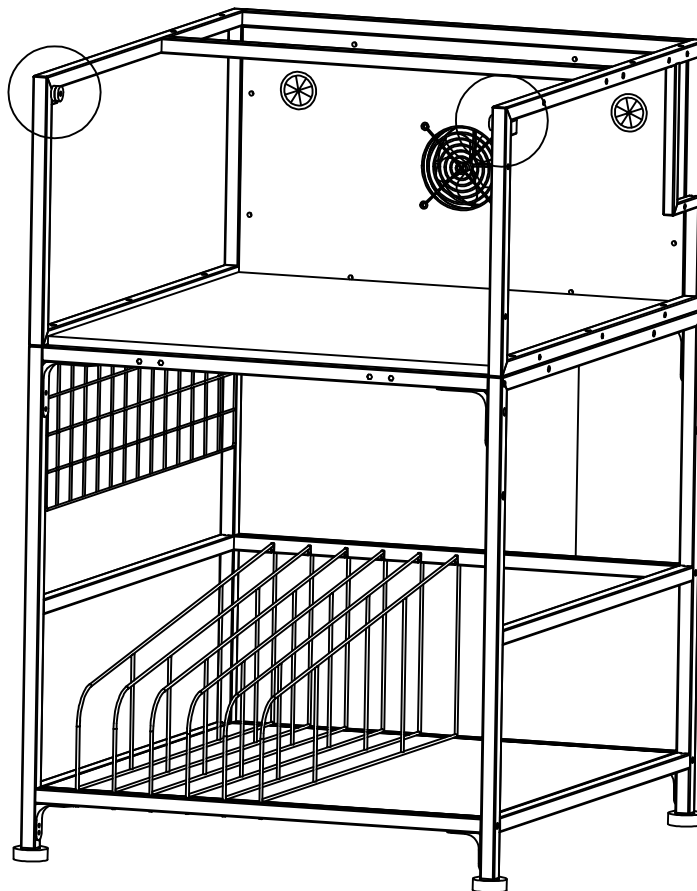
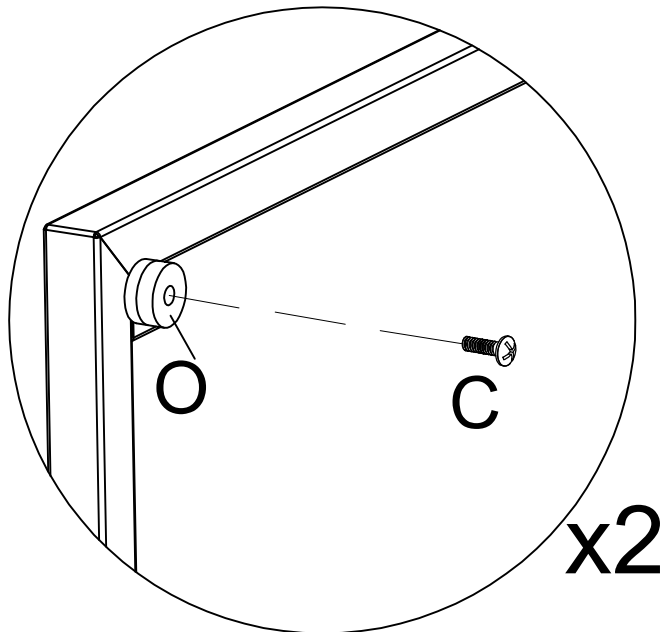
Step 12



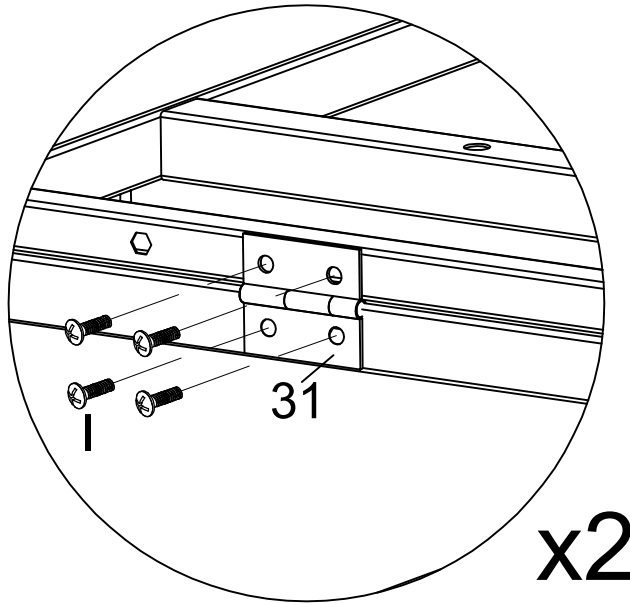
C x 2



O x 4



Step 13



x2



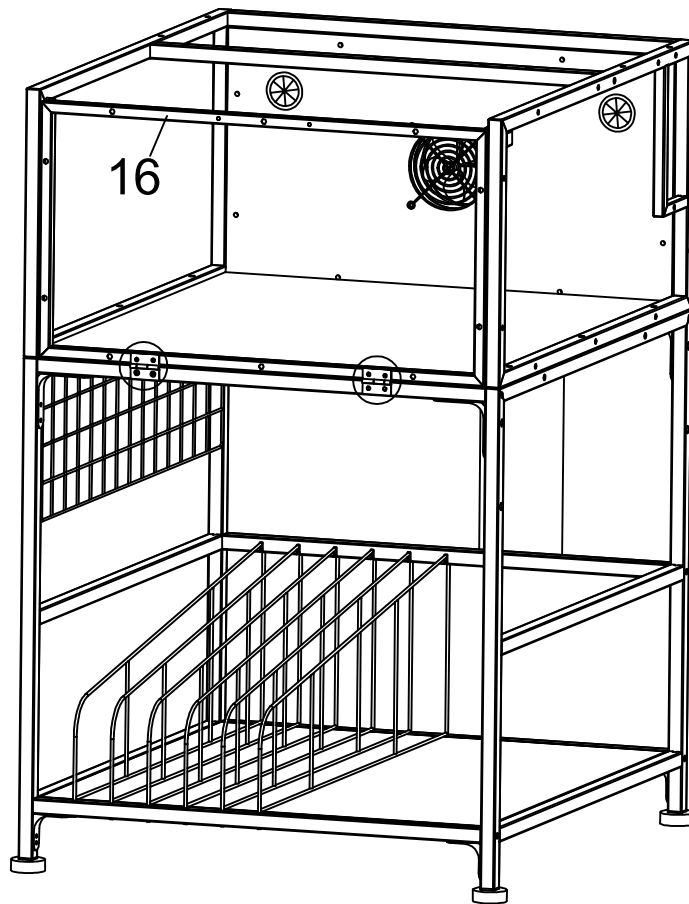
1 x 8



31 x 2



16 x 1



Step 14



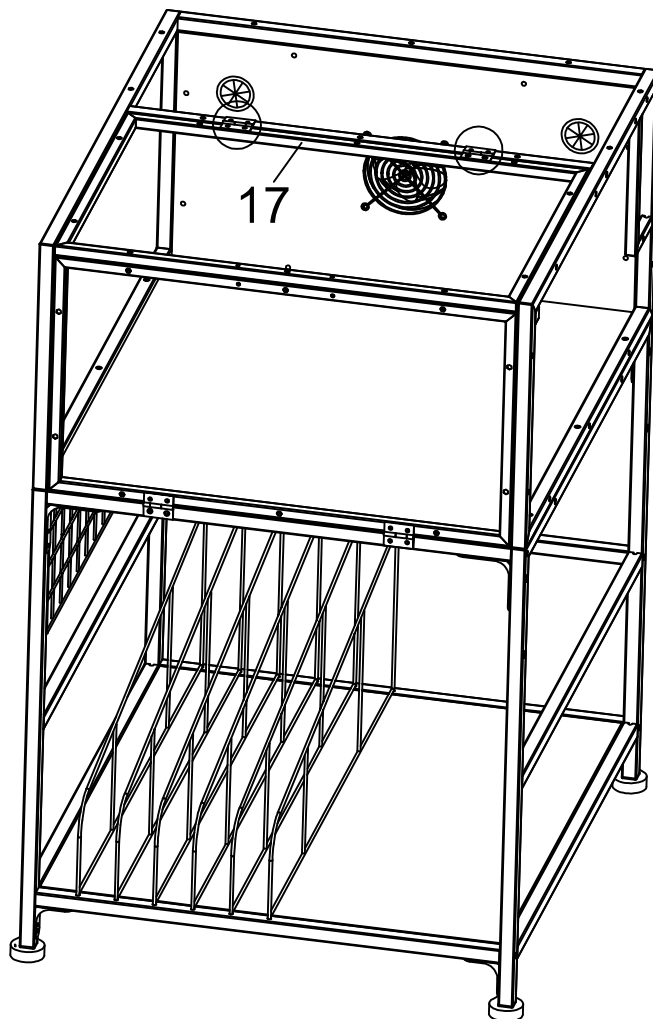
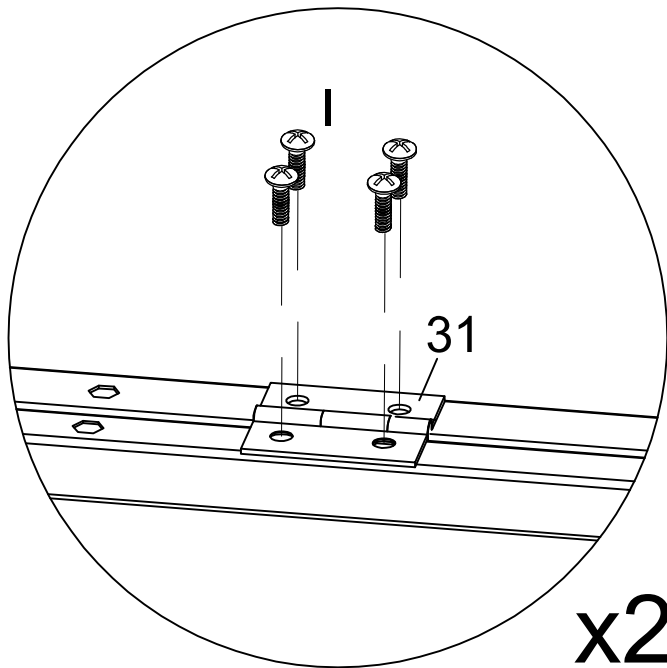
1 x 8



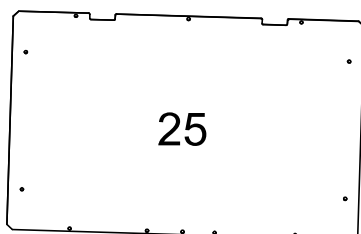
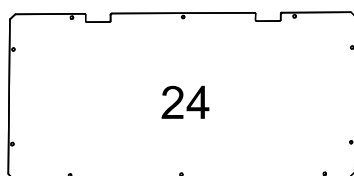
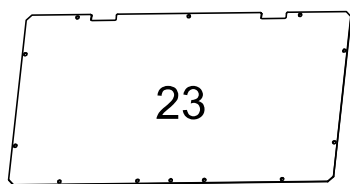
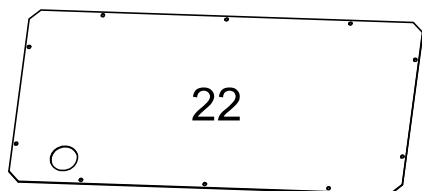
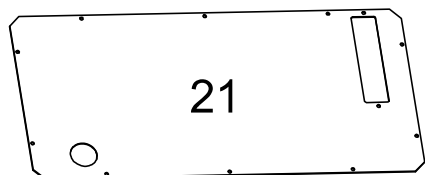
31 x 2



17 x 1

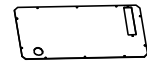


Step 15

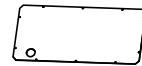


Please tear off
the protective
film on both
sides

Step 16



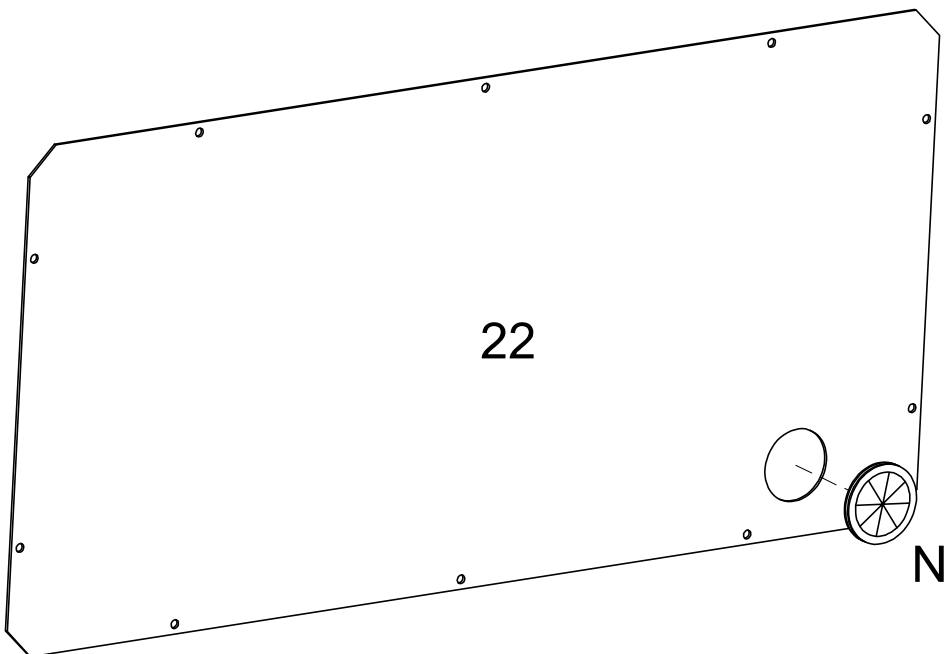
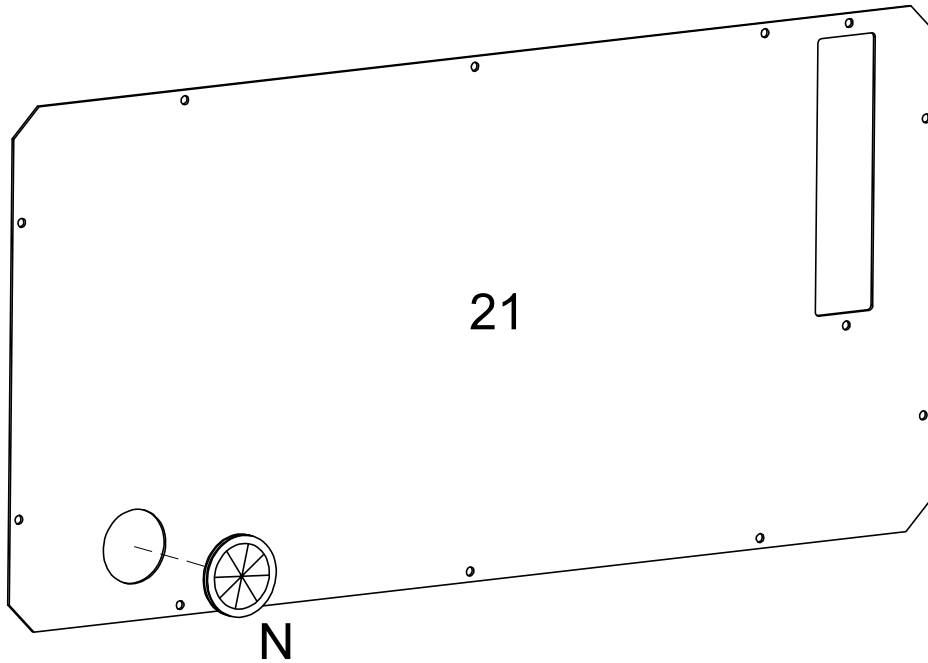
21 x 1



22 x 1



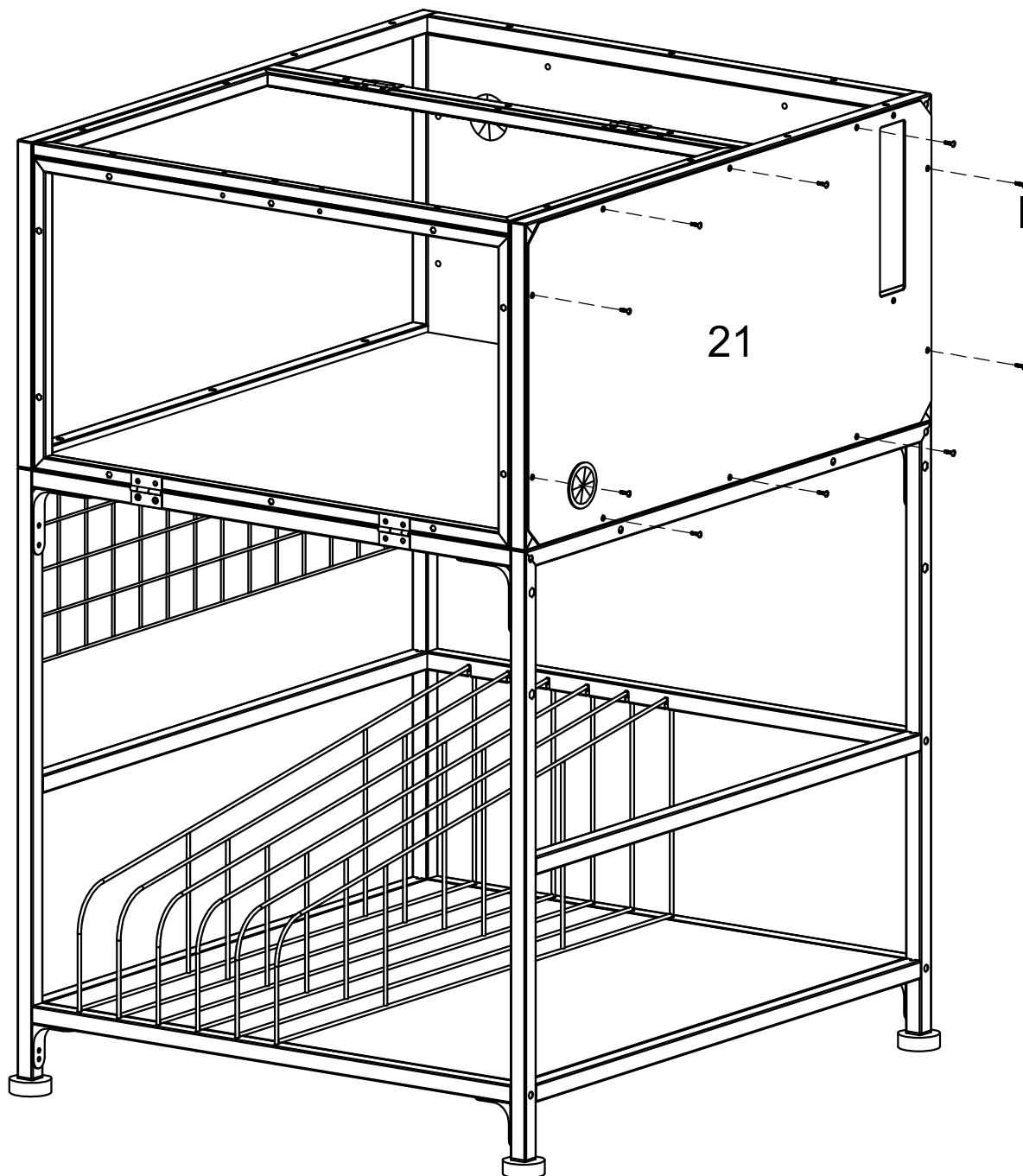
N x 2



Step 17



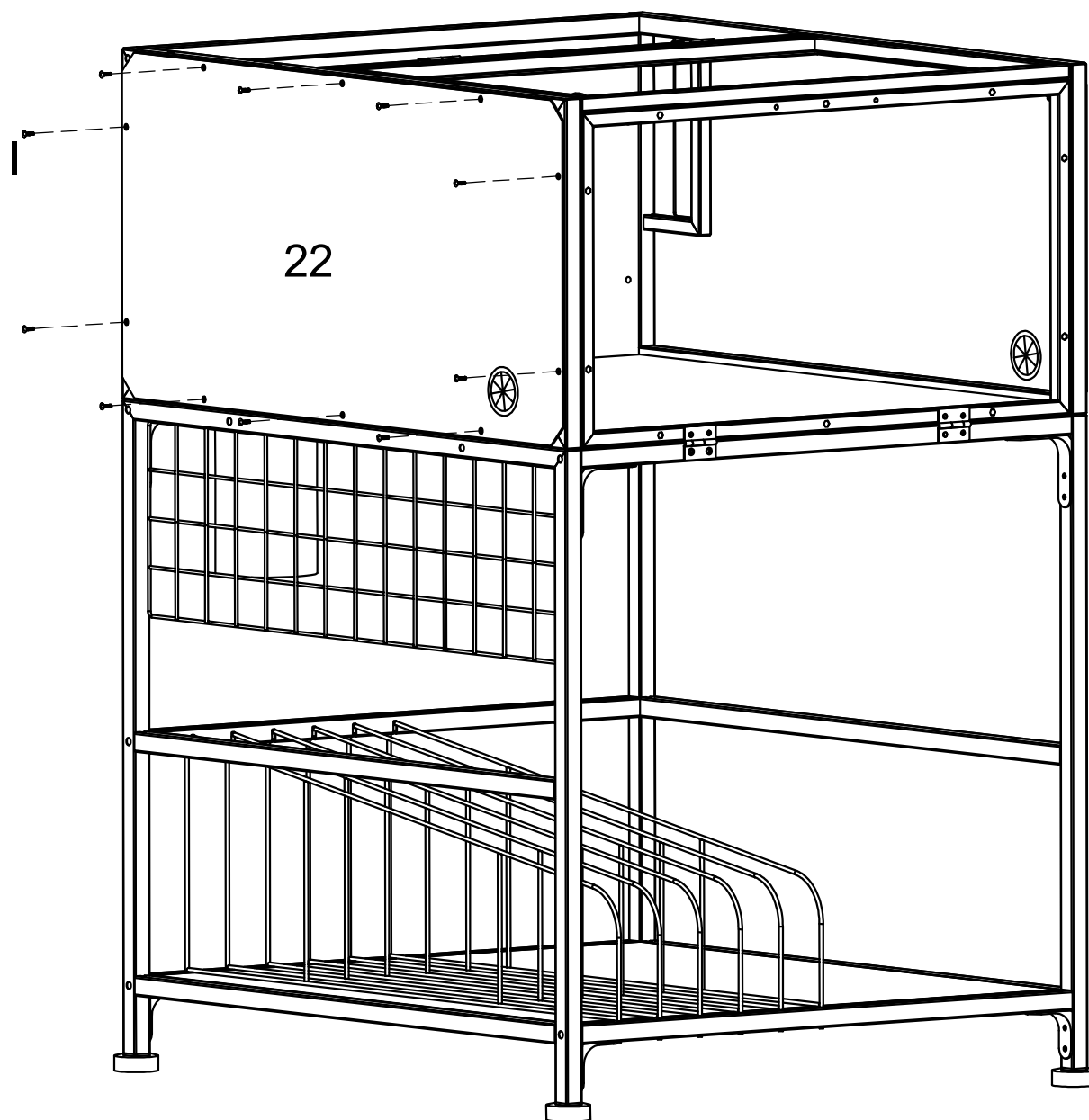
1 x 10



Step 18



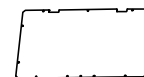
1 x 10



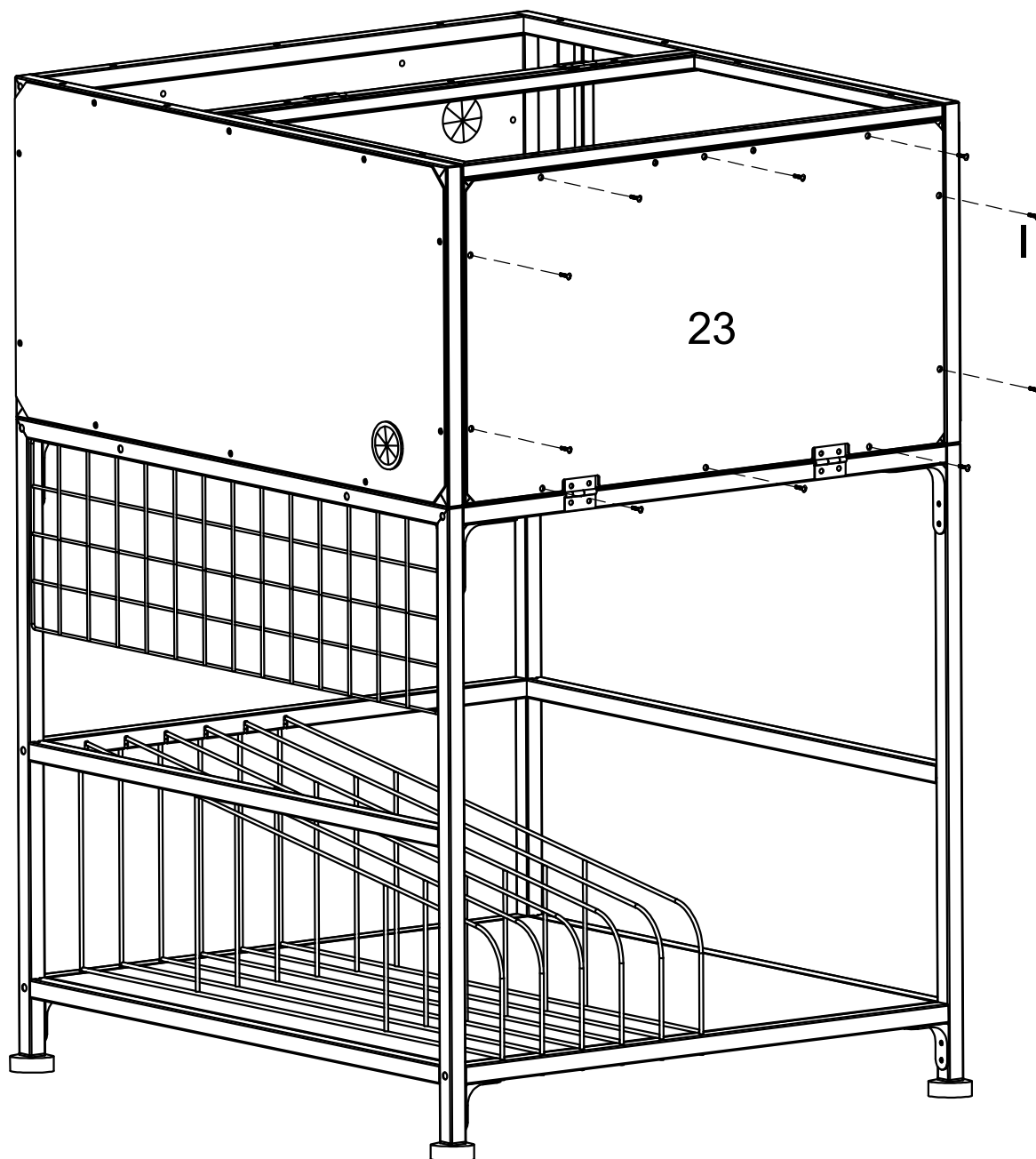
Step 19



1 x 10



23 x 1



Step 20



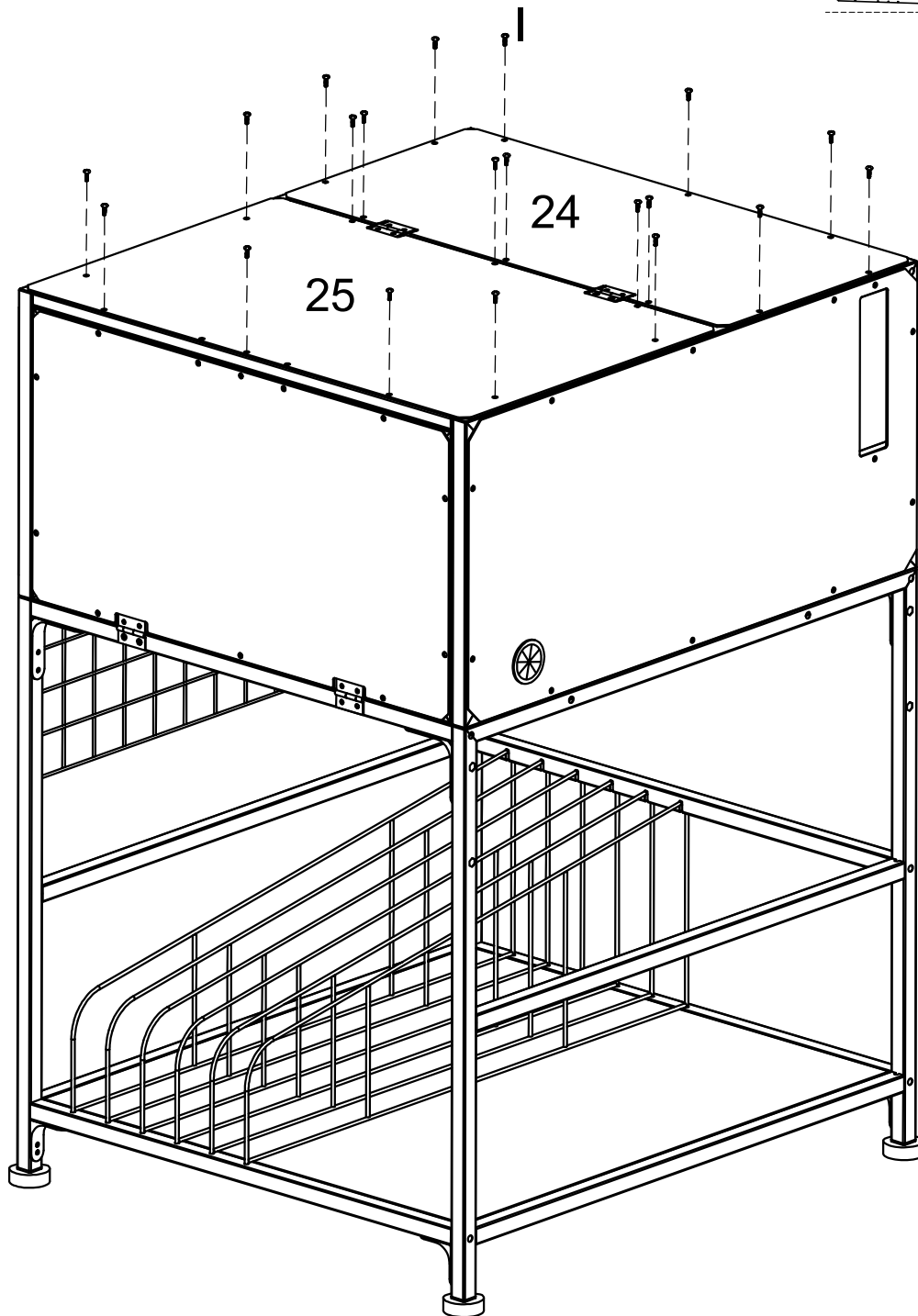
1 x 20






24 x 1

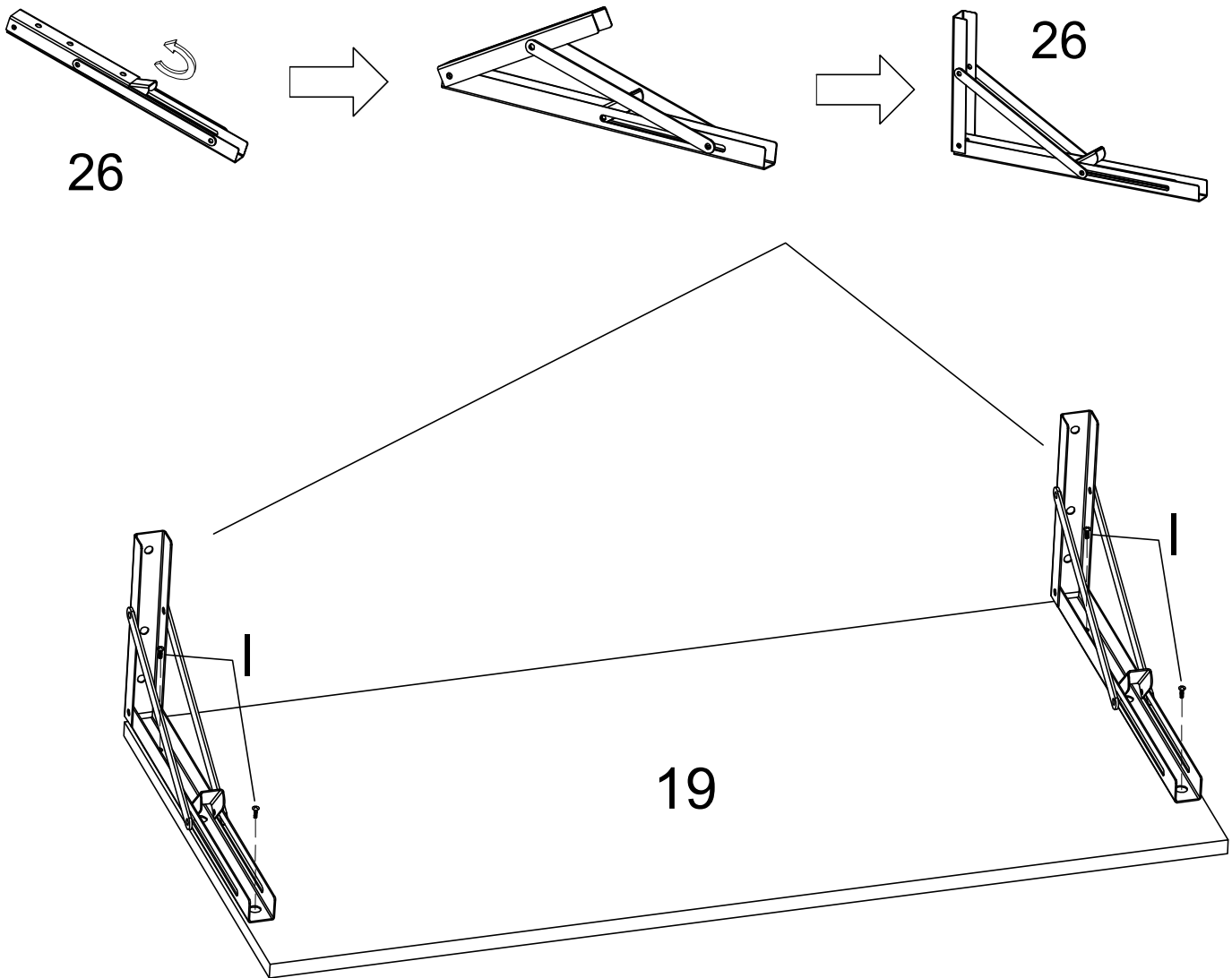


25 x 1



Step 21

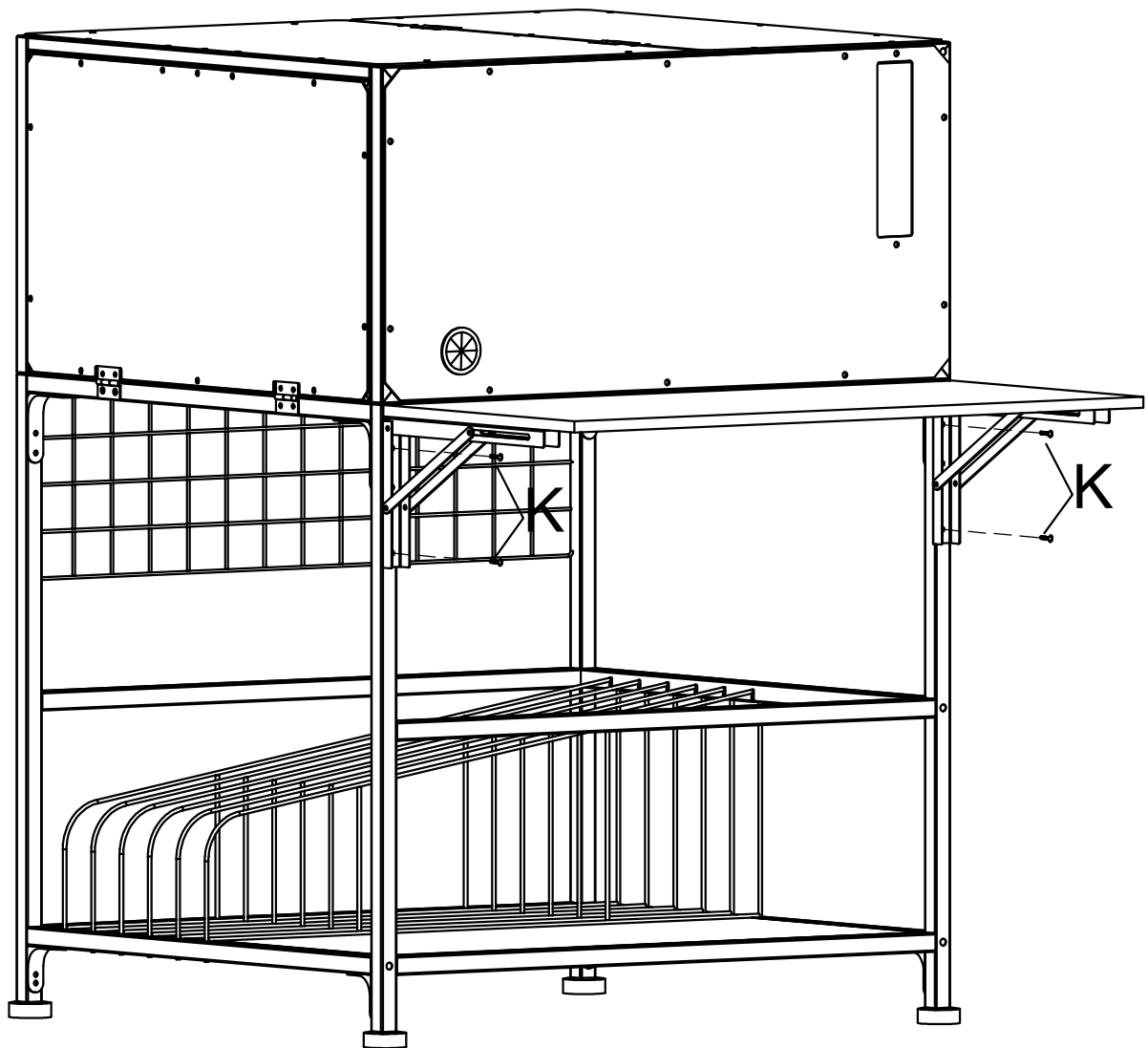
	1 x 4
	19 x 1
	26 x 2



Step 22



K x 4



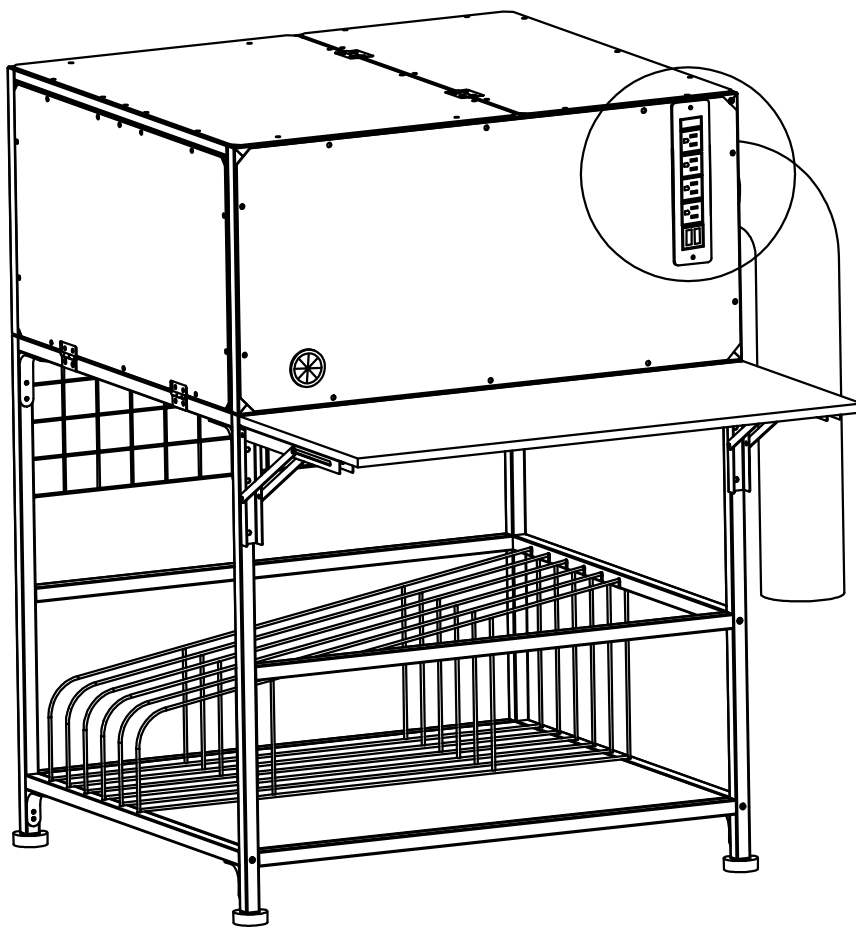
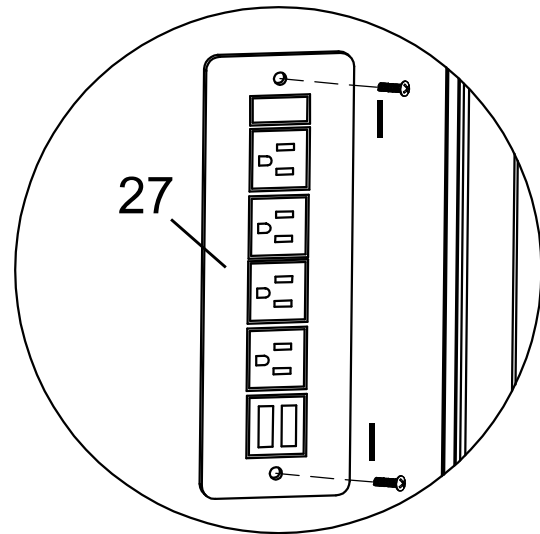
Step 23



1 x 2



27 x 1



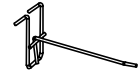
Step 24



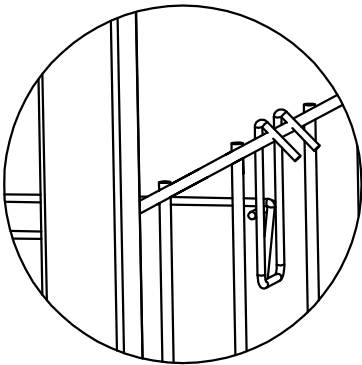
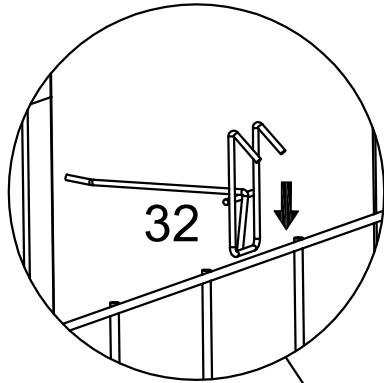
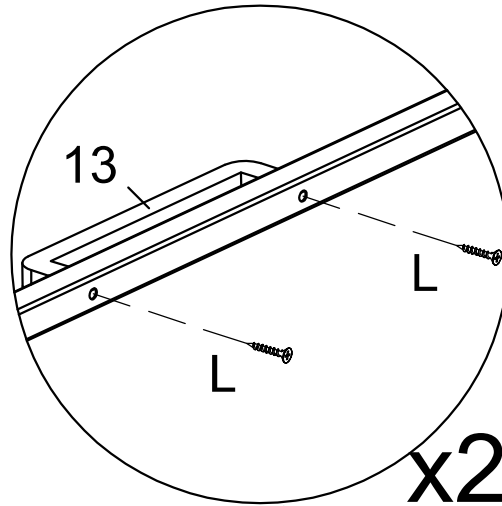
L x 4



13 x 2



32 x 2





Final Assembly