

## IMPORTANT SAFETY OPERATING INSTRUCTIONS

1. Please read all warning and instruction labels which are included in the box and fixture to avoid personal injury property damage caused by fire, cuts, bruises, death, and other dangers.
2. Please follow these general precautions before installing, maintaining, or fixing.

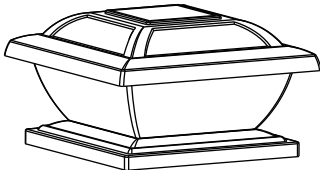
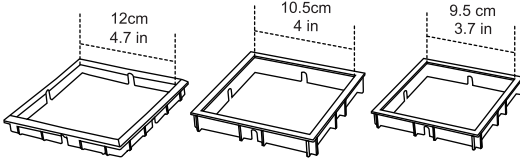
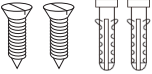
## WARNING

1. The packing contains small parts that could be swallowed by children.
2. Keep the packaging material away from children and pets.
3. The solar light is not a toy.
4. We do not take responsibility if the instruction manual is not followed correctly or if the product is handled improperly resulting in damage to person or property.

## PRECAUTION

1. It is important to select an outdoor location with full direct sunlight where the solar panel can receive at least 8 hours of sunlight each day.
2. It is important to avoid placing the solar light by light sources, such as streetlights or porch lights, which may cause the solar light to turn off automatically.
3. To avoid explosion and corrosion, please keep the solar light away from fire and humid environment.
4. No striking to avoid any damages to solar cell.

## REF. PARTS

			
4 Pack	x4	x4	x8
8 Pack	x8	x8	x16

## PARAMETER

1. Dimensions: 6 inch/15 cm (L) x 6 inch/15 cm (W) x 4.72 inch/12 cm (H)
2. Light source : 1pc cool white LED , 4000K-5000K
3. Brightness : 10 Lumens

## CONTACT US

 [support@solpexsolar.com](mailto:support@solpexsolar.com)

 [solpex.solar](https://www.instagram.com/solpex.solar)

 [Solpex.solar](https://www.facebook.com/Solpex.solar)

## HOW TO OPERATE AND INSTALL

**Figure 1**

1. Gently remove all parts from the package and lay them out on a smooth surface.
2. Twist the Plastic Housing clockwise and remove it from the Solar Panel Unit.
3. Remove the isolator tab on the bottom of the Solar Panel Unit.
4. Align the tab on the top of the Plastic Housing into the slot on the bottom of the Solar Panel Unit, then twist the Solar Panel Unit clockwise to tighten.

**Figure 2**

1. Remove the base from the Plastic Housing by turning it anti-clockwise.
2. Select the adaptors of suitable sizes to fit the post and base, and mark 4 holes (5mm) on your wood posts, using the base as a guide and drill down.
3. Hammer the anchor into the hole and mount the adaptos on the post using the 4 mounting screws by a screwdriver.
4. Assemble the base on the post.
5. Align the tab on the base into the slot on the bottom of the Plastic Housing then twist the Plastic Housing clockwise to tighten.
6. One size fits all wooden posts come in all shapes and sizes. Our single base looks lovely on 3.5 x 3.5 inches, 4 x 4 inches, 4.5 x 4.5 inches 5 x 5 inches square or round wooden posts.

**Note:** Lights may have a protective film over the solar panel. This must be removed before using.

Figure 1

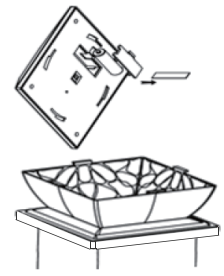
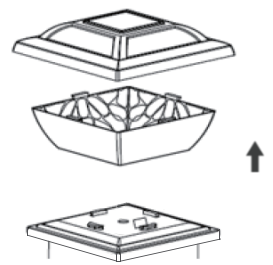
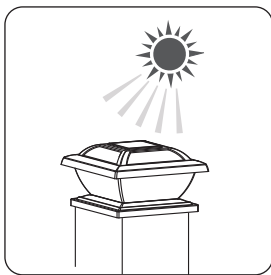


Figure 2



## HOW TO WORK



Solar panel collects sun light to charge the battery (included) during the day.



Automatically turns on at dusk for up to 8 hours of nighttime illumination.

## CLEANING AND MAINTENANCE

1. Use a damp cloth to clean the solar panel.
2. To avoid any damage to this light, please do not use any chemical or abrasive cleaner.

## RECHARGEABLE BATTERY

This product contains (1) 1.2V AA 800MAH NI-MH rechargeable battery. When the battery expires, it must be recycled or disposed of properly. Please contact your local waste disposal authority for correct procedure. Do not put battery into fire.

### Battery Replacement

1. Twist the Plastic Housing and remove it from the Solar Panel Unit.
2. Open the battery chamber cover on the bottom of Solar Panel Unit.
3. Replace the old battery with a new battery making sure the polarity is correct.
4. Reposition the battery cover tightly.

**⚠ Warning: Only rechargeable battery should be used.**

