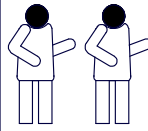
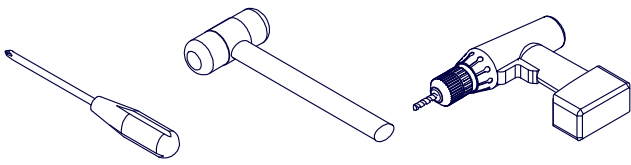


89
88
40





A x 1
FI5634

C x 1
CA2703

D x 1
BA1662

F x 2
ZO1215

G x 1
CS2147

H x 2
CS2143

I x 1
CS2145

L x 1
CS2149

O x 6
SH2442

Q x 1
SH2441

T x 1
TR1637

U x 1
ZO1218

W x 4
OF0253

W₁ x 2
OF0252

Z x 1
FI5637

G128 x 4



H1 x 12



H2 x 8



H54 x 12



H129 x 2



FG0128

FH0001

FH0002

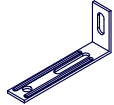
FH0054

FH0129

H166 x 1



H185 x 1



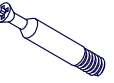
P42 x 5



T7 x 6



T28 x 10



FH0166

FH0185

FP0042

FT0007

FT0028

T53 x 6



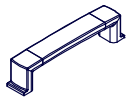
T98 x 4



FT0053

FT0098

M99 x 6



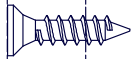
A10 x 12



FM0099

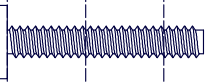
FA0010

mm 0 10 20 30 40 50



V5 x 20

FV0005



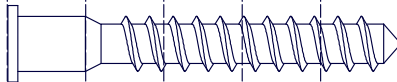
V137 x 12

FV0137



V38 x 12

FV0038



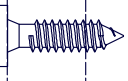
V45 x 6

FV0045



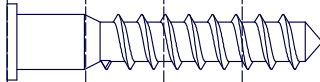
V70 x 12

FV0070



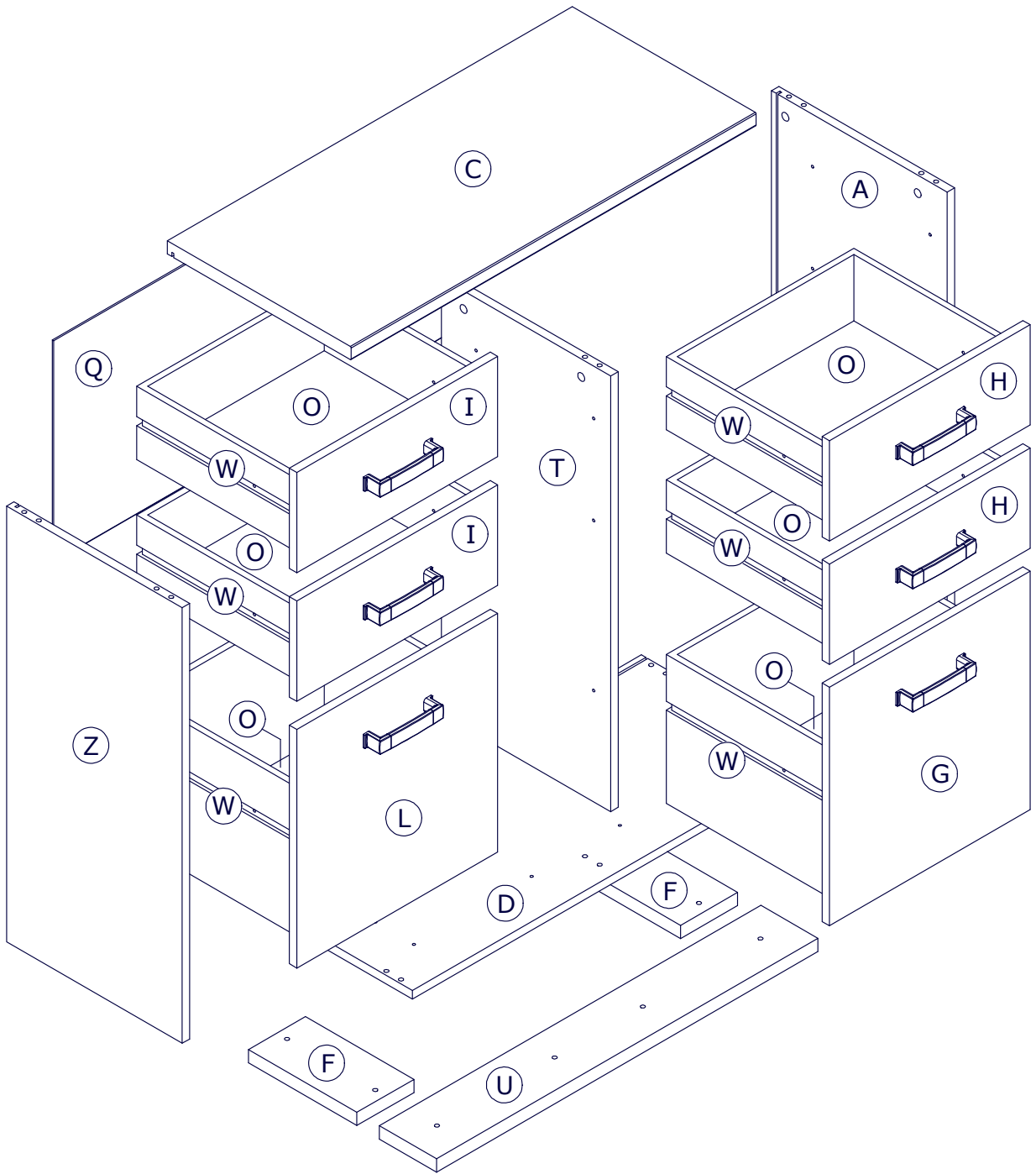
V81 x 2

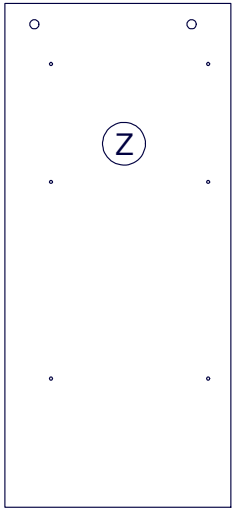
FV0081



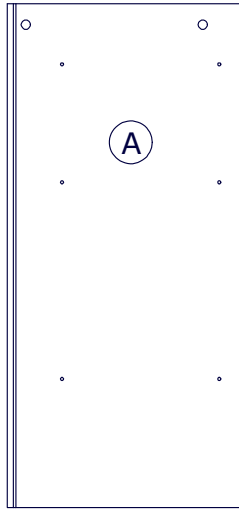
V131 x 8

FV0131

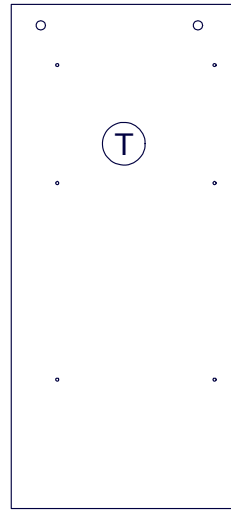




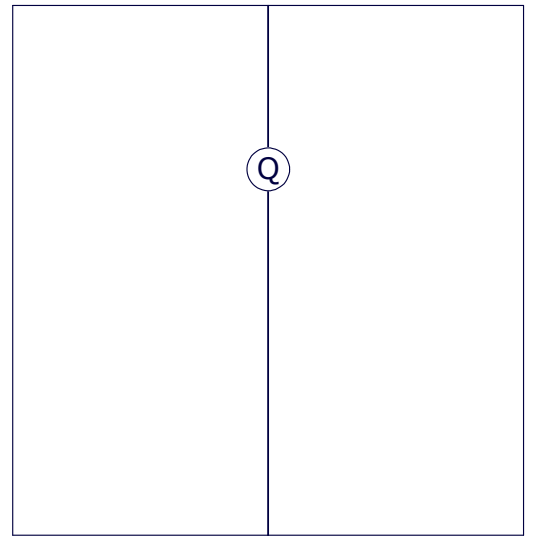
• **FI5635**
820x382x16mm



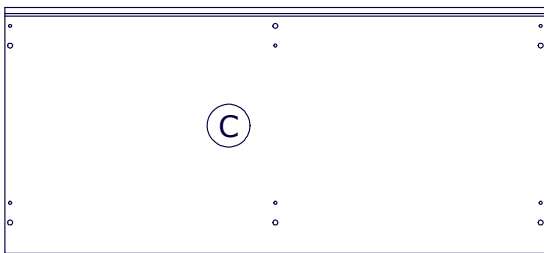
• **FI5634**
820x382x16mm



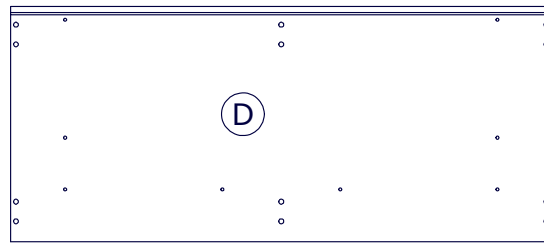
• **TR1637**
820x368x16mm



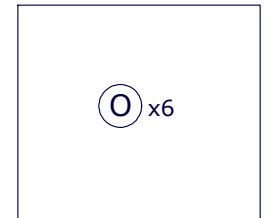
• **SH2441**
862x832x3mm



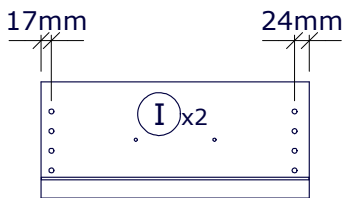
• **CA2703**
881x400x25mm



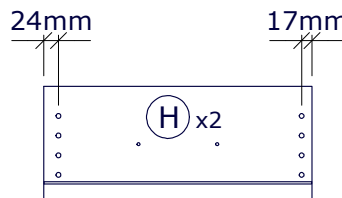
• **BA1662**
881x383x16mm



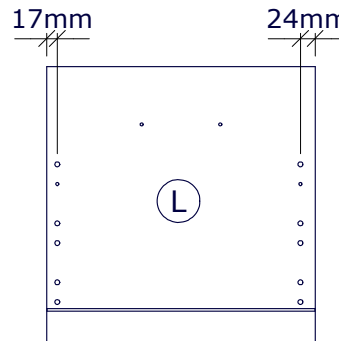
• **SH2442**
395x351x3mm



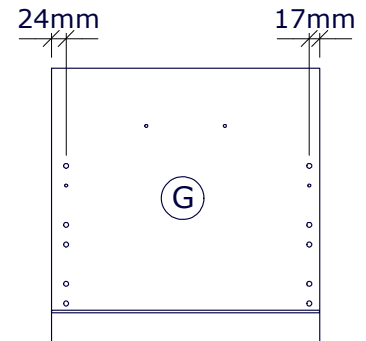
• **CS2145**
437x189x16mm



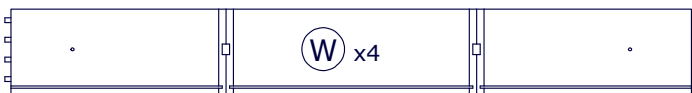
• **CS2143**
437x189x16mm



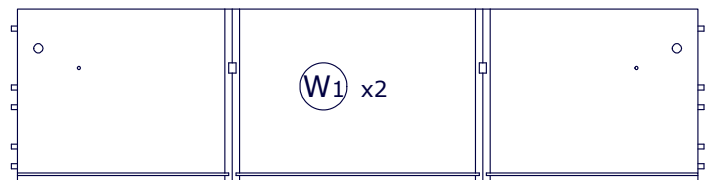
• **CS2149**
437x449x16mm



• **CS2147**
437x449x16mm



• **OF0253**
350x408x350mm H.138mm



• **OF0252**
350x408x350mm H.280mm



• **ZO1218**
830x124x25mm



• **ZO1215**
236x124x25mm

1

H166

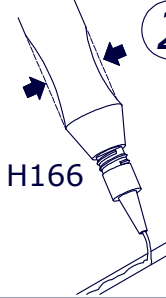


1

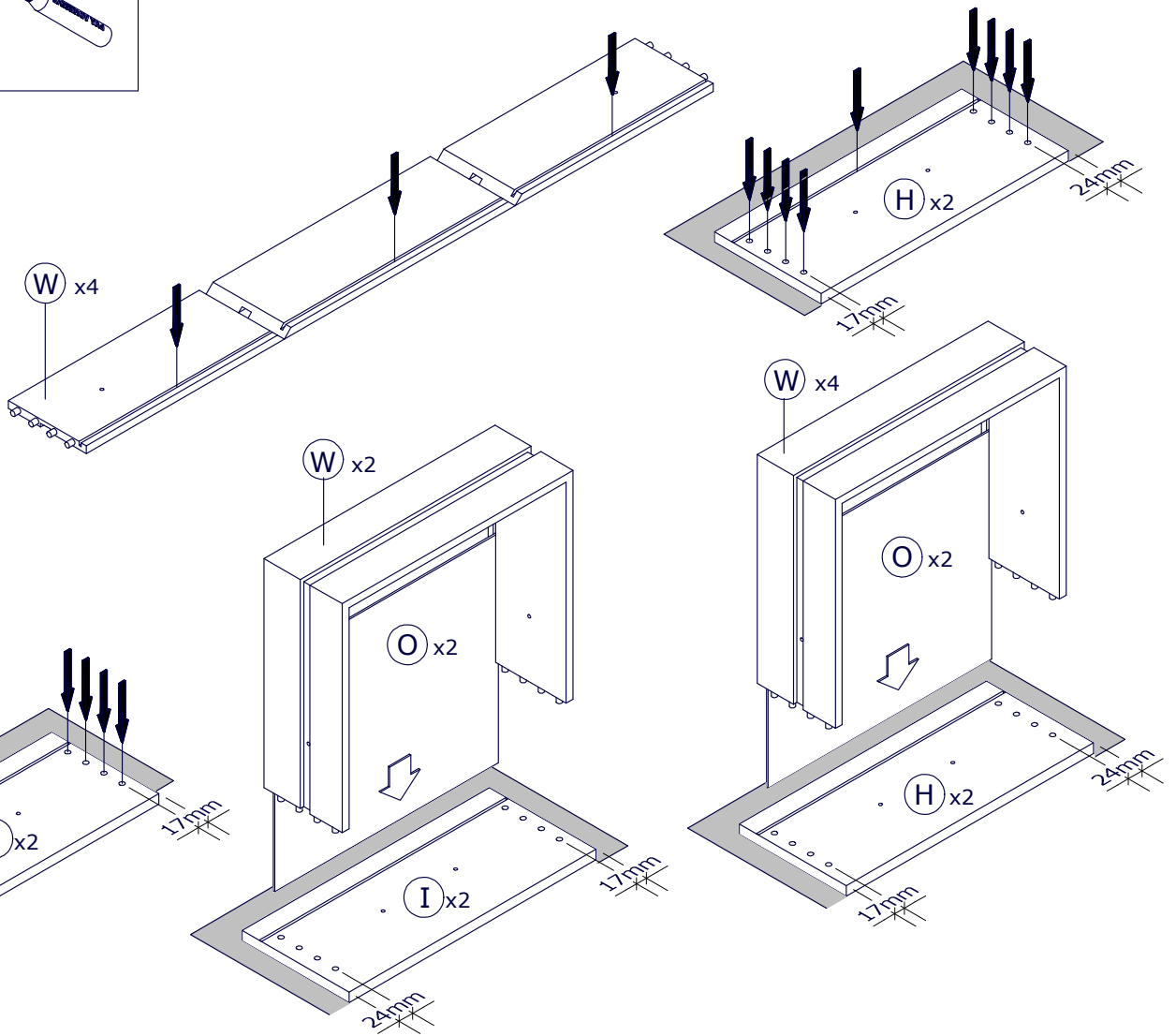


H166

2



H166

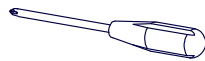
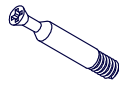


2

H166



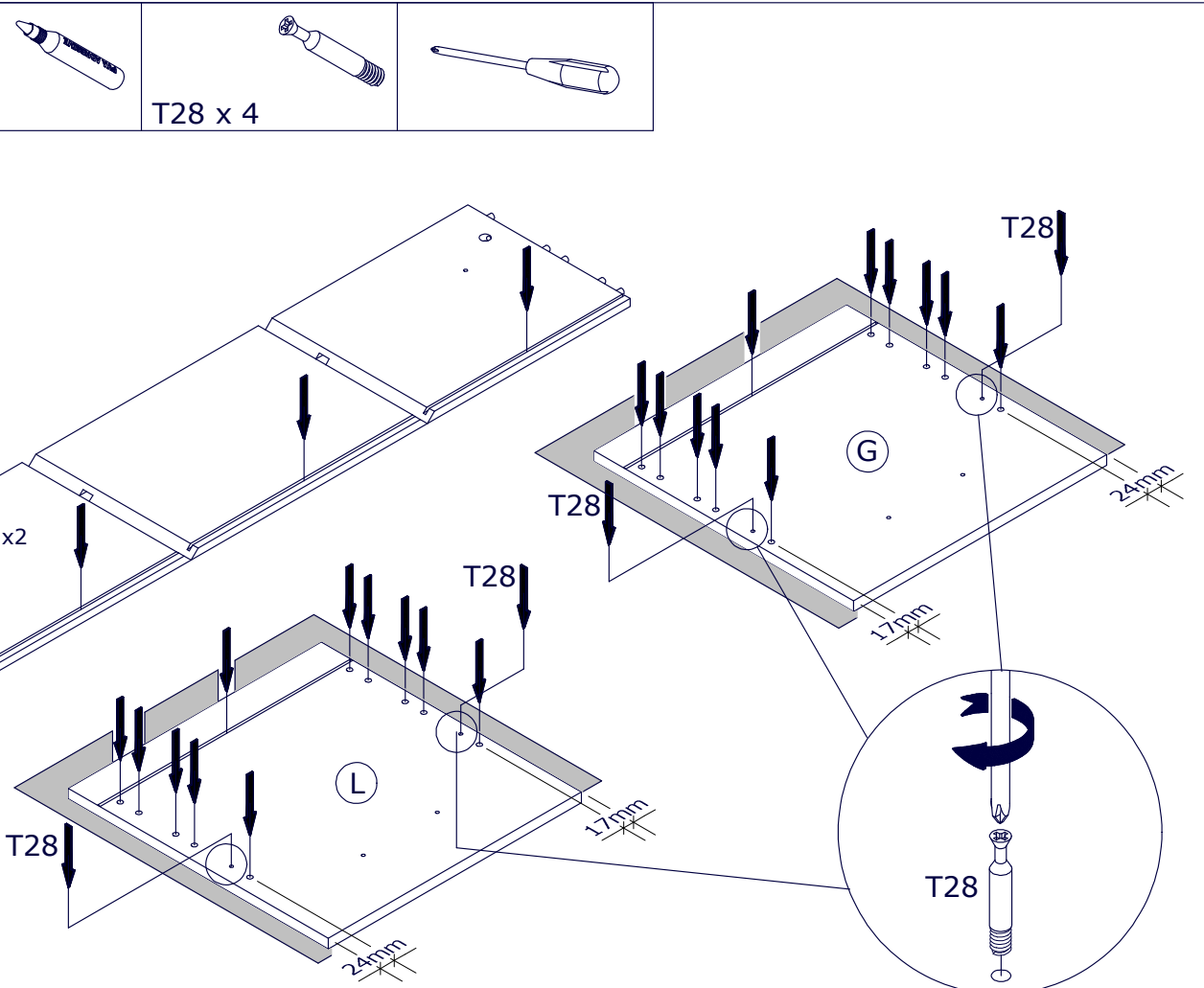
T28 x 4



1



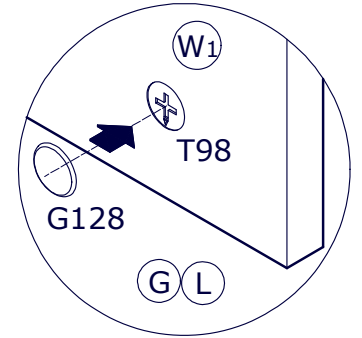
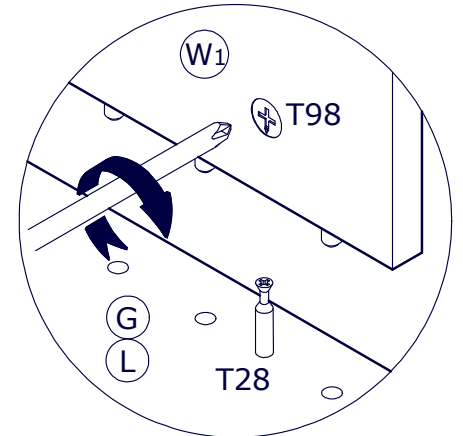
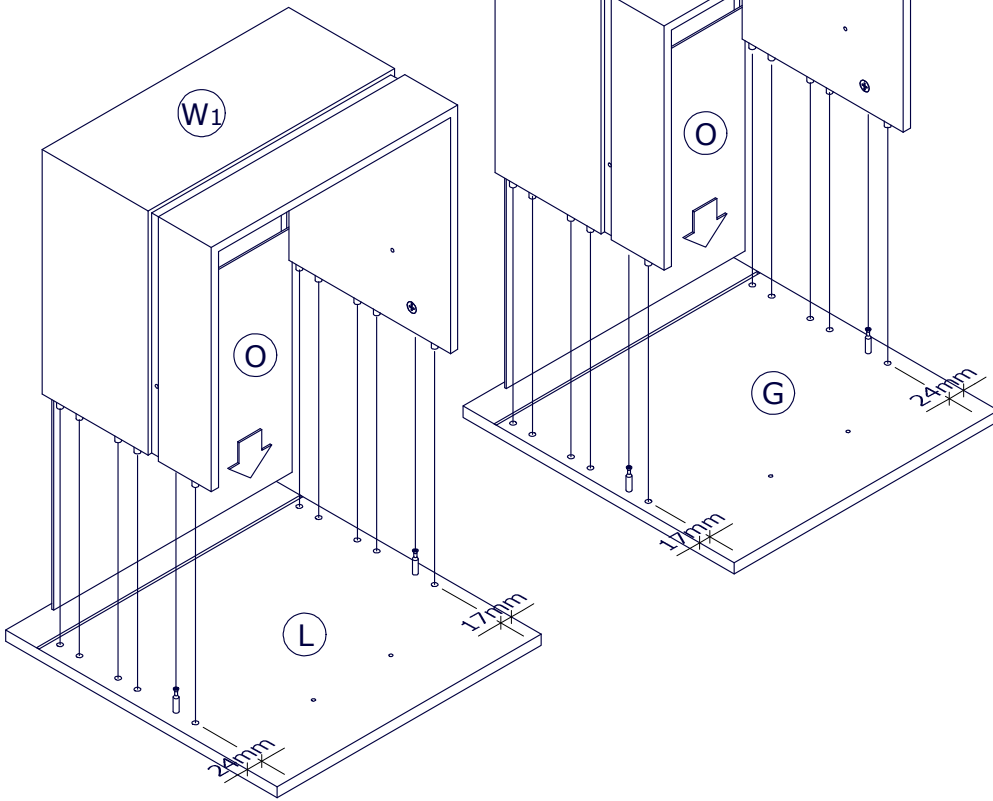
H166



3

G128 x 4

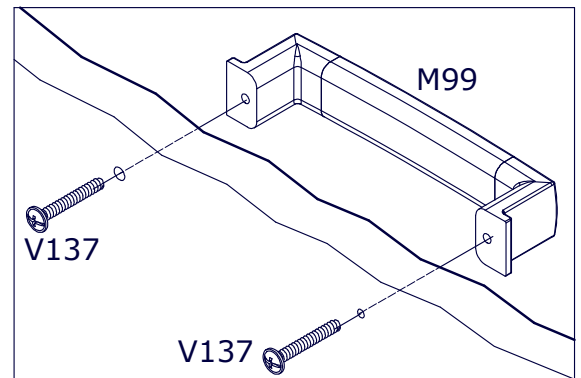
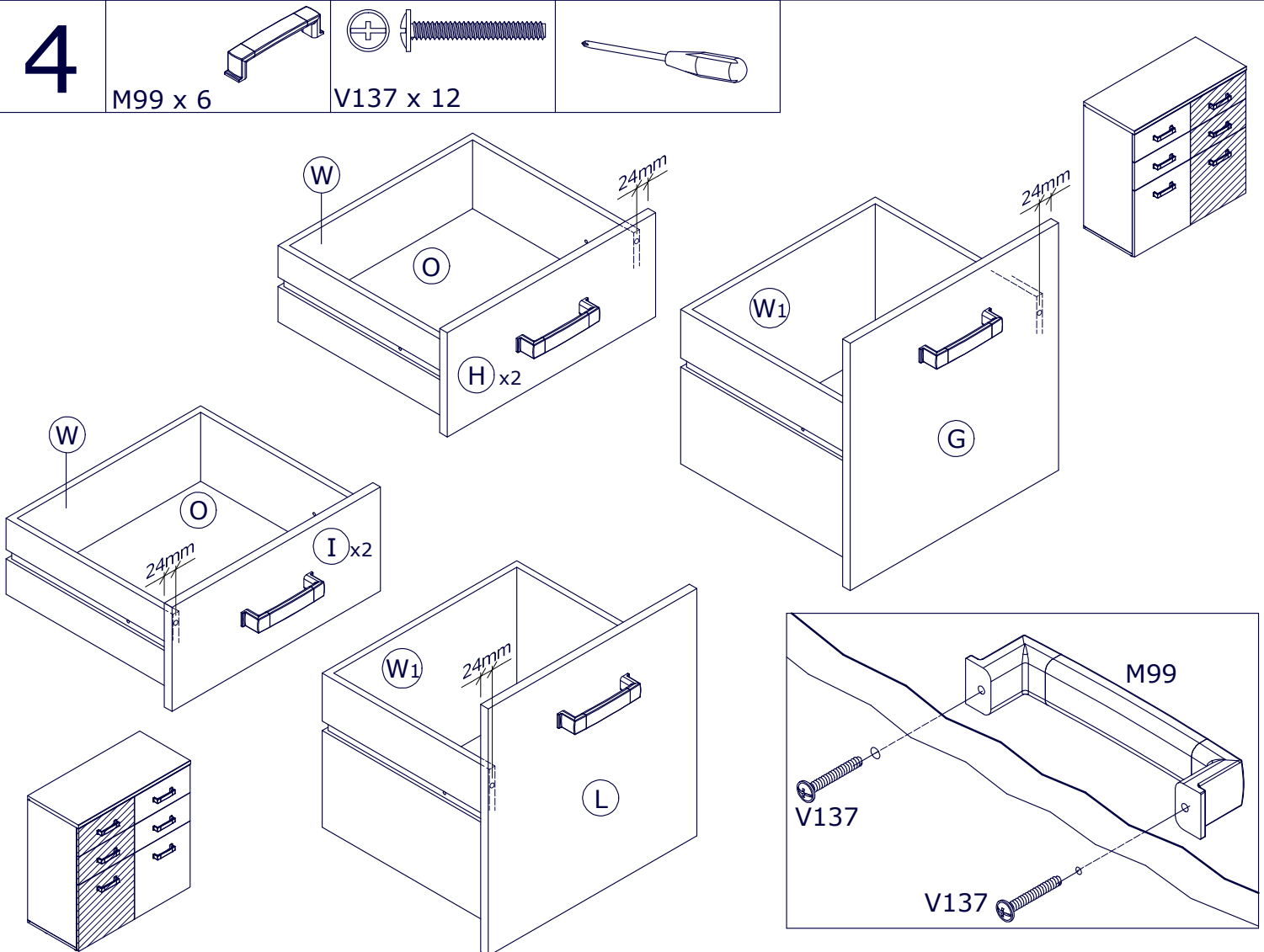
T98 x 4



4

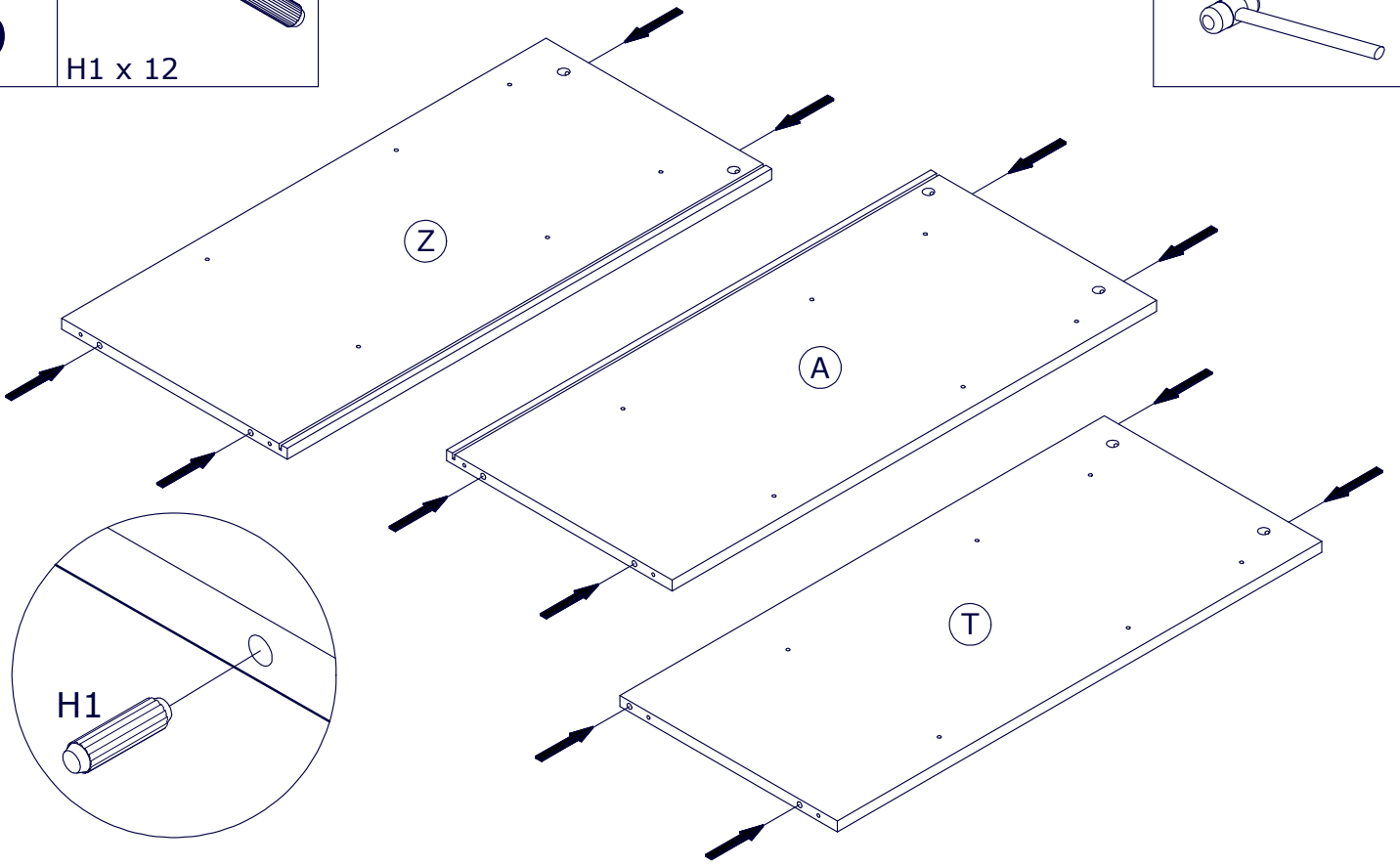
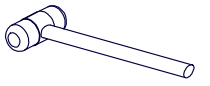
M99 x 6

V137 x 12



5

H1 x 12

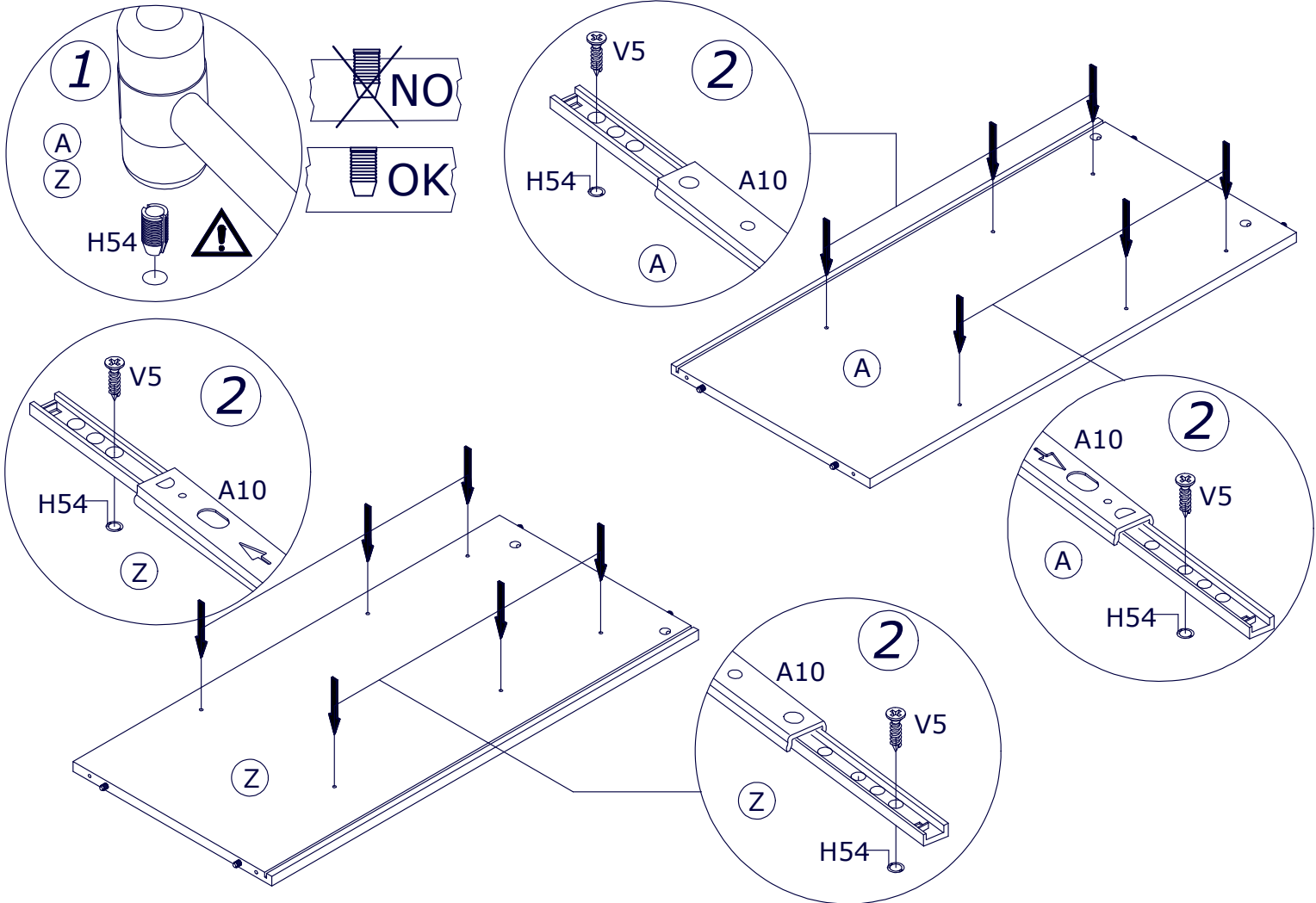
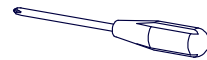
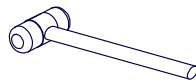


6

H54 x 12

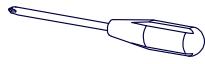


V5 x 12

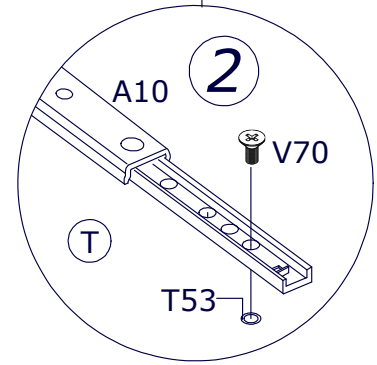
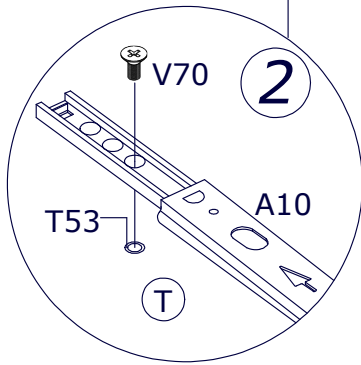
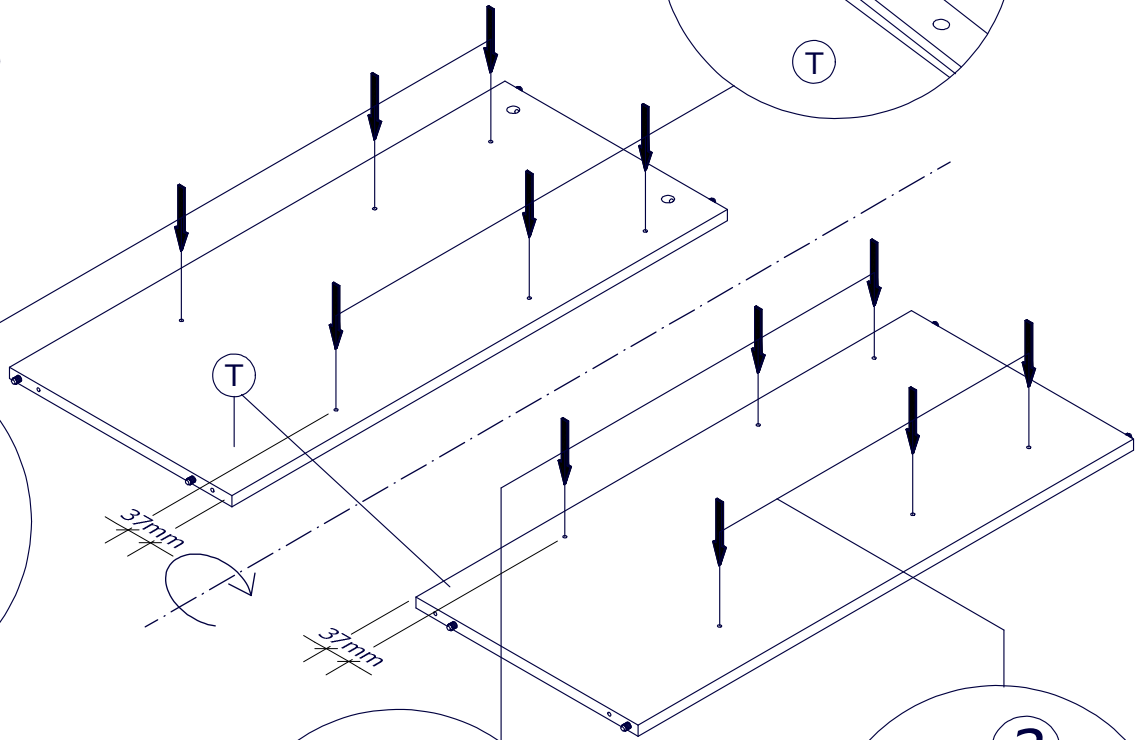
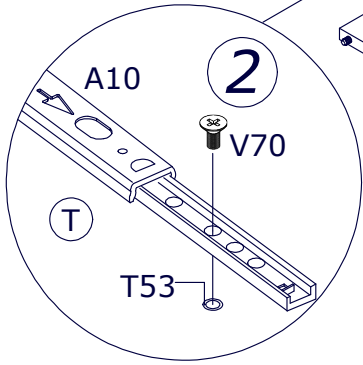
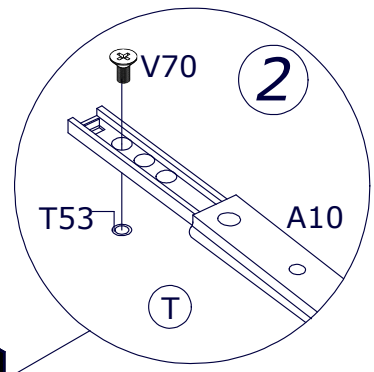
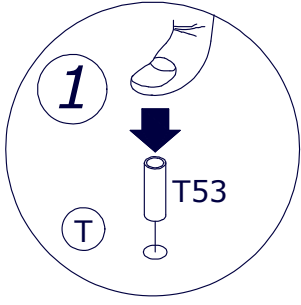


7

T53 x 6

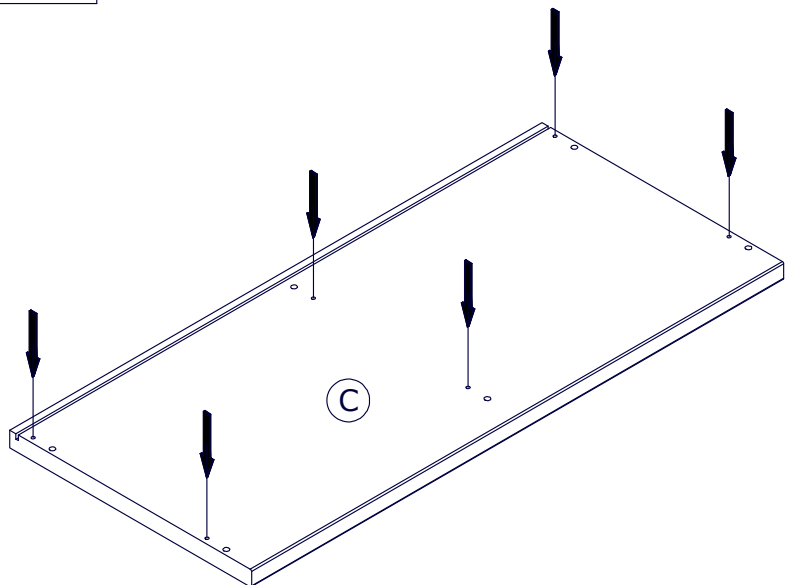
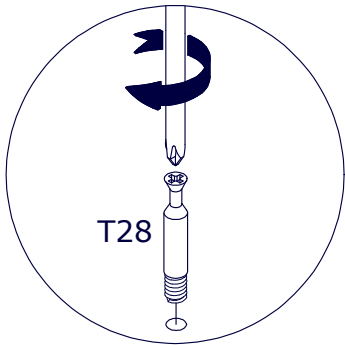
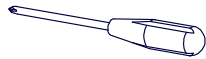
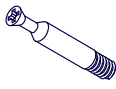


V70 x 12



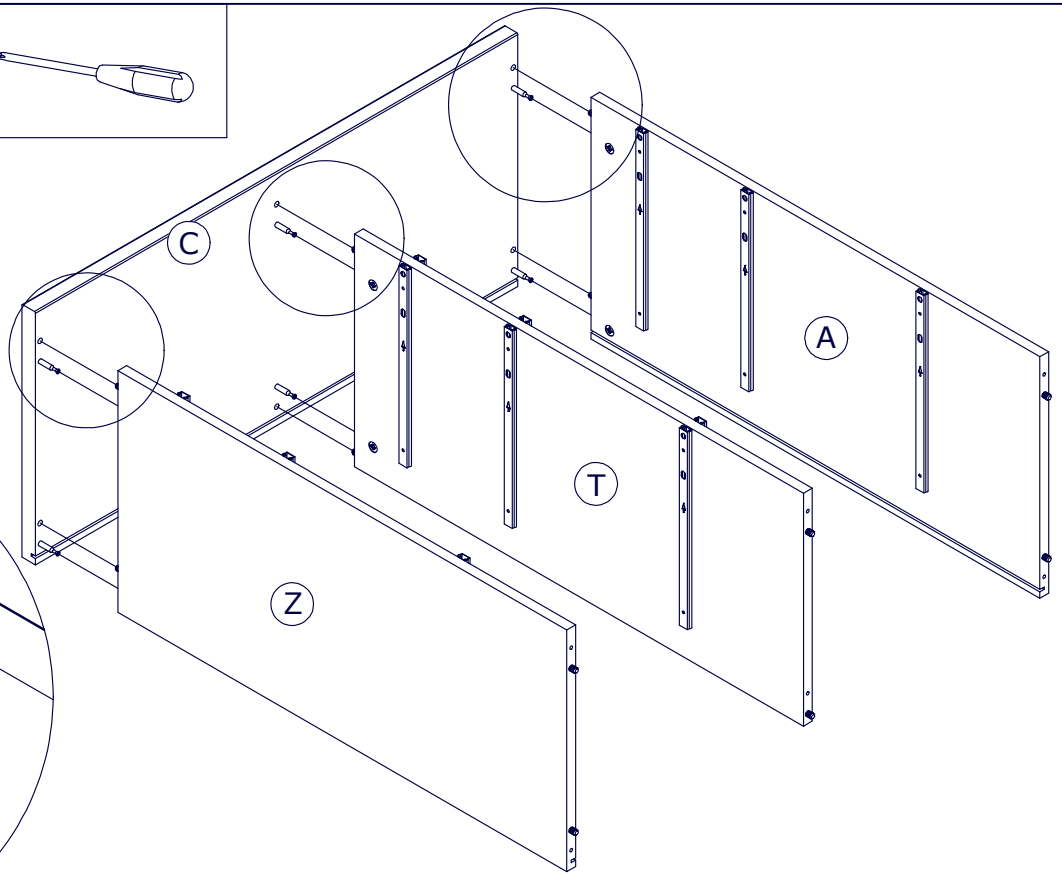
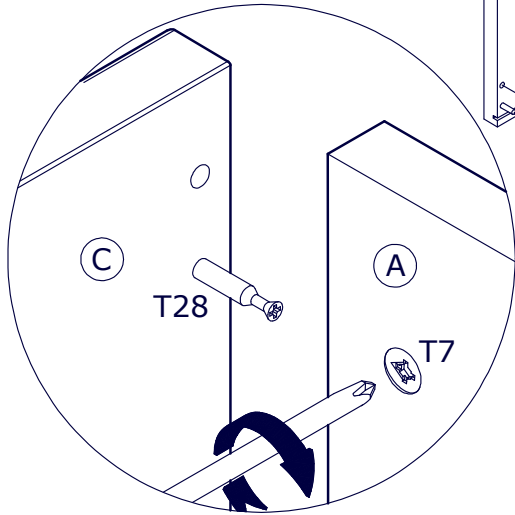
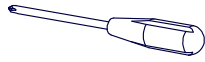
8

T28 x 6



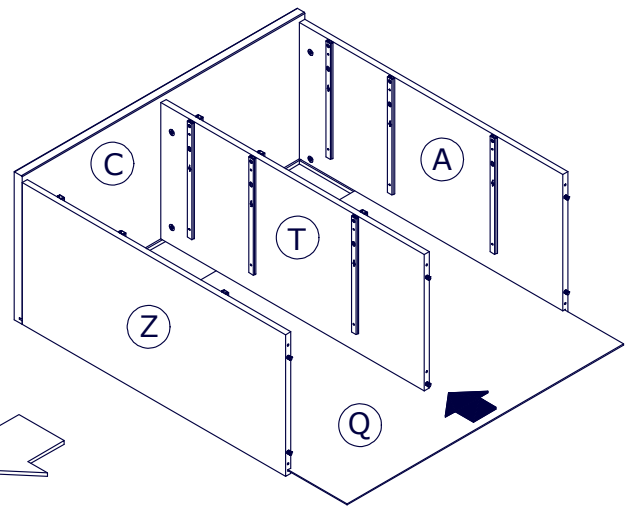
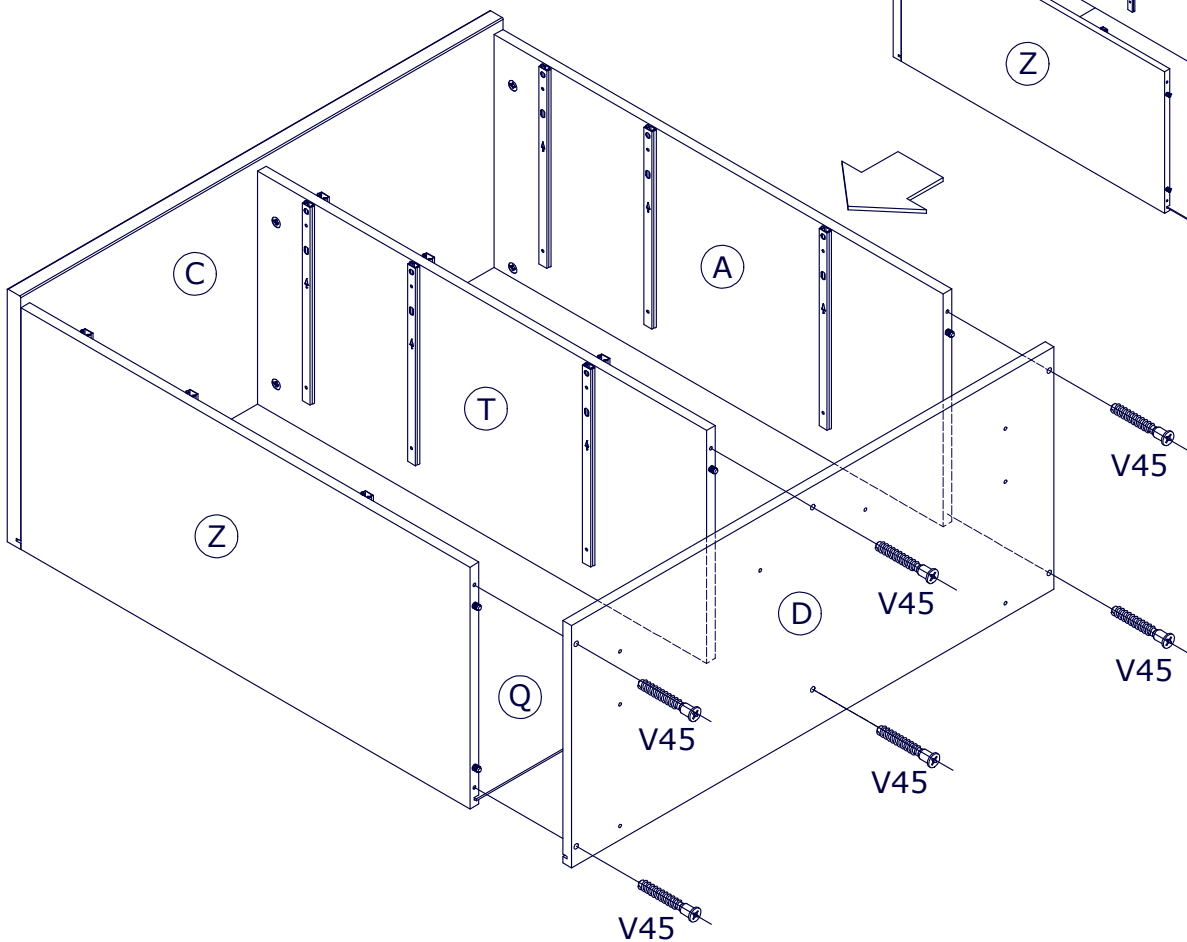
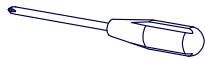
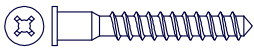
9

T7 x 6



10

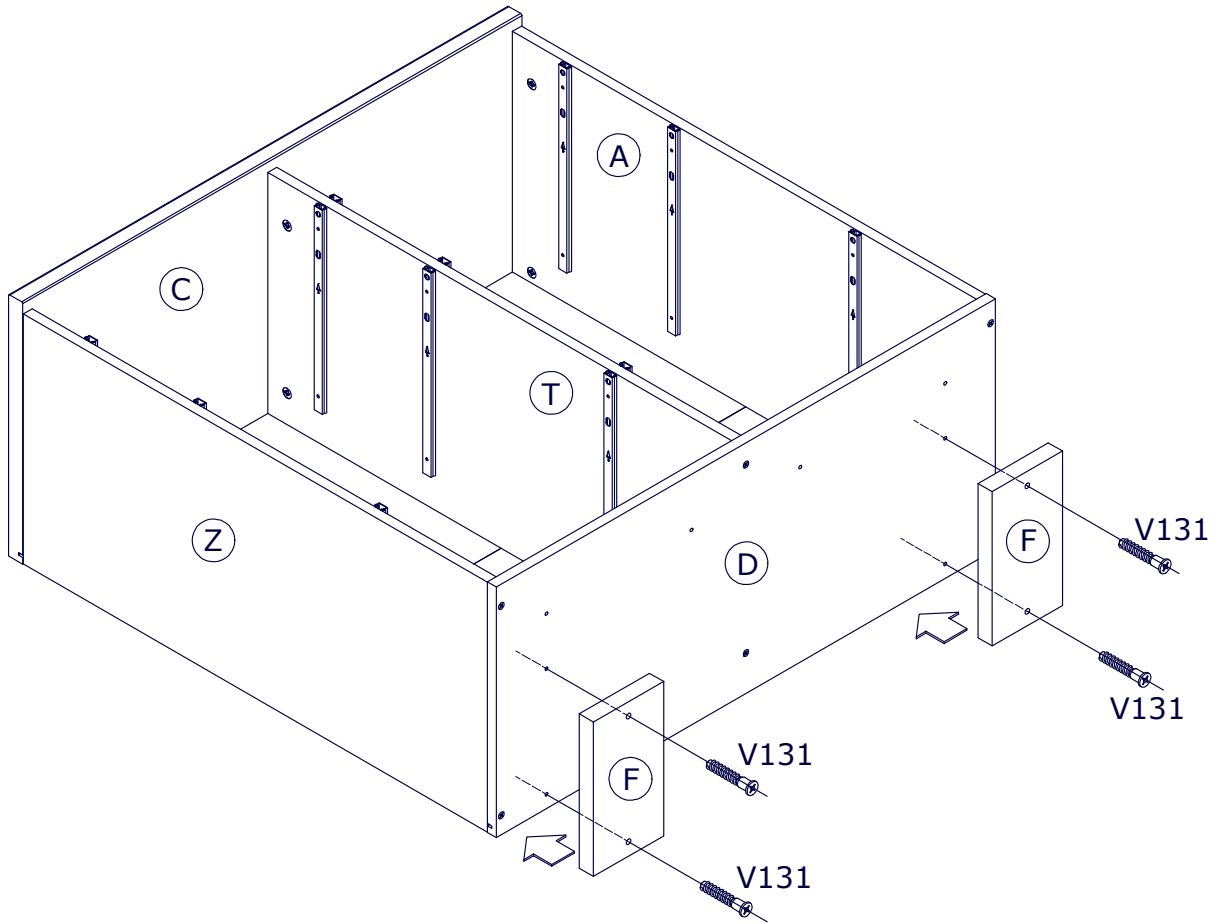
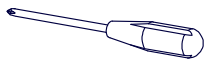
V45 x 6



11



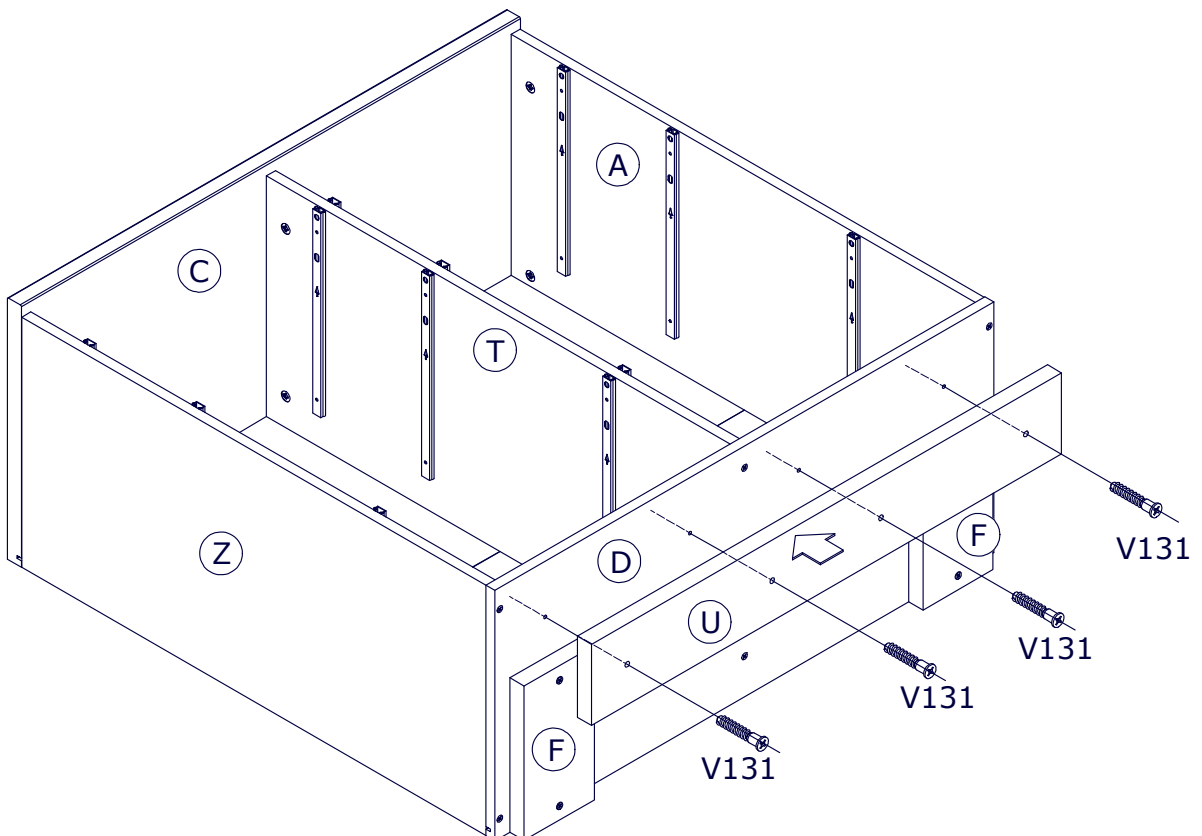
V131 x 4



12

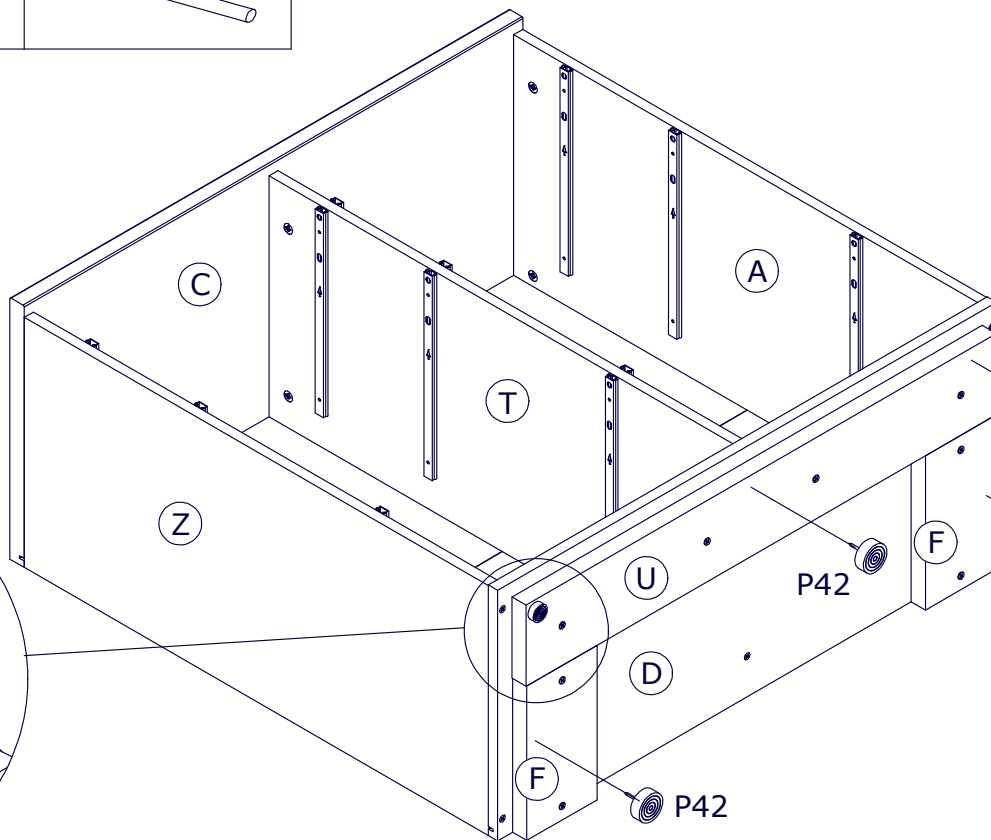
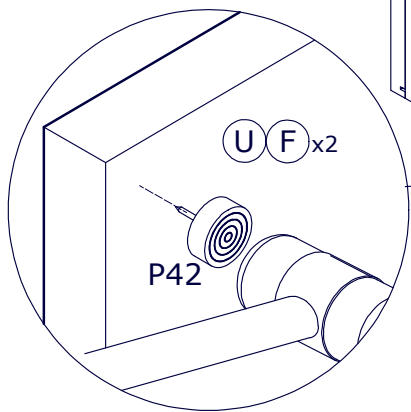
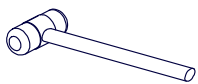


V131 x 4



13

P42 x 5

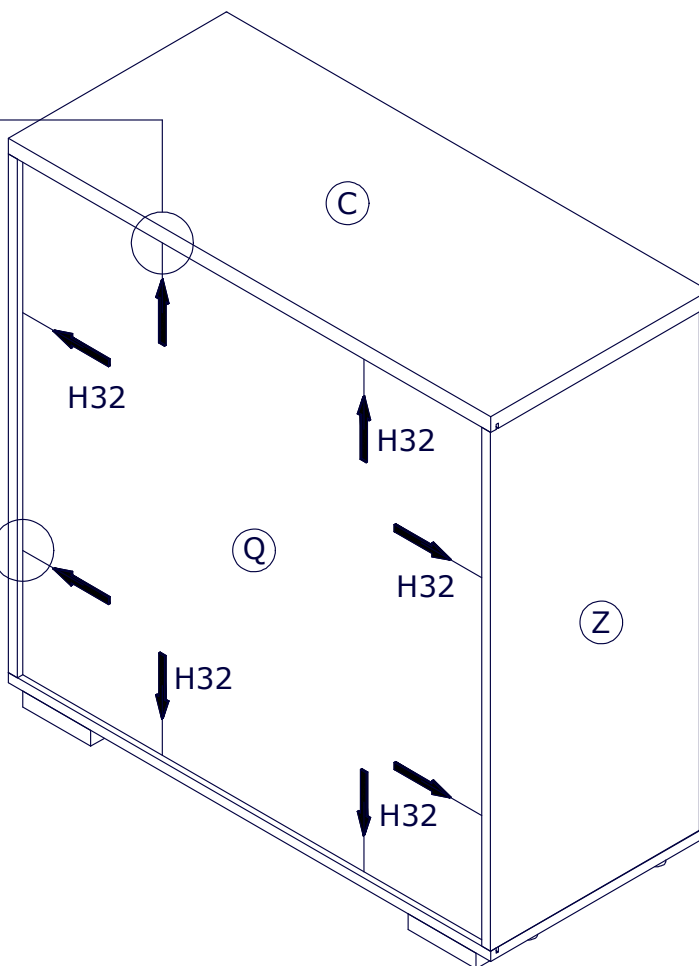
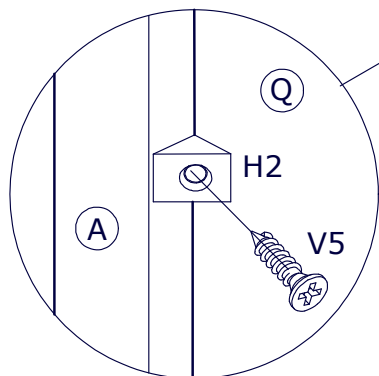
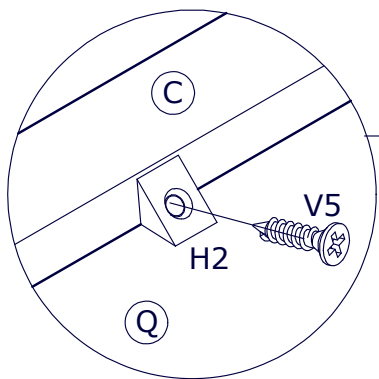


14

H2 x 8

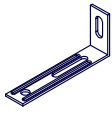


V5 x 8



15

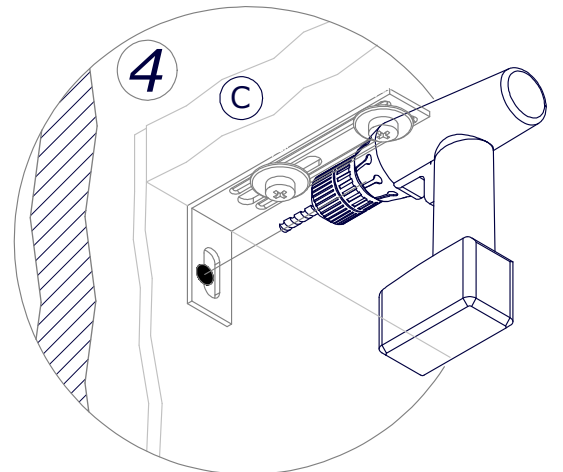
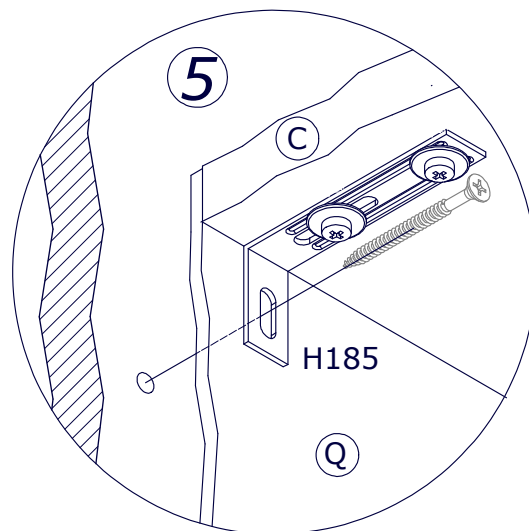
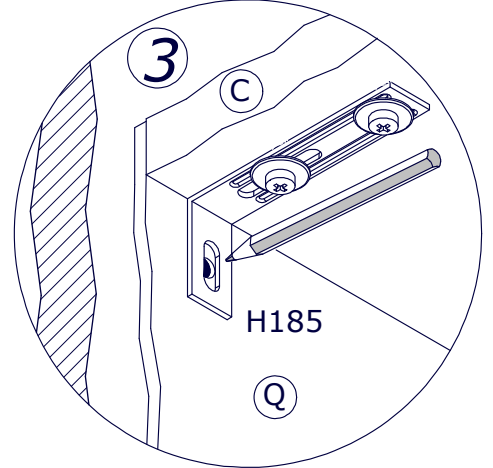
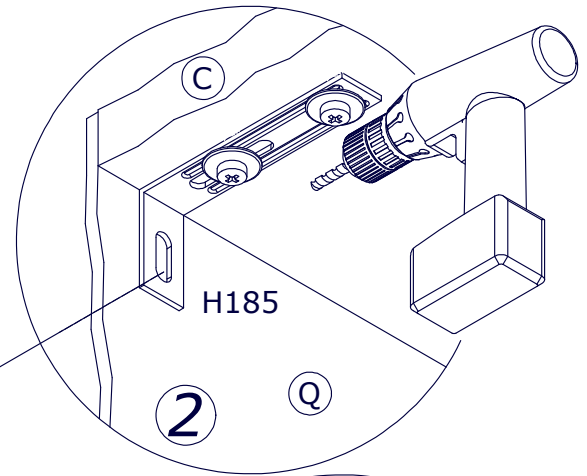
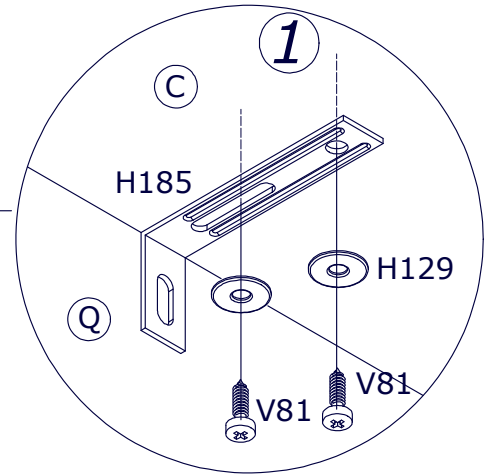
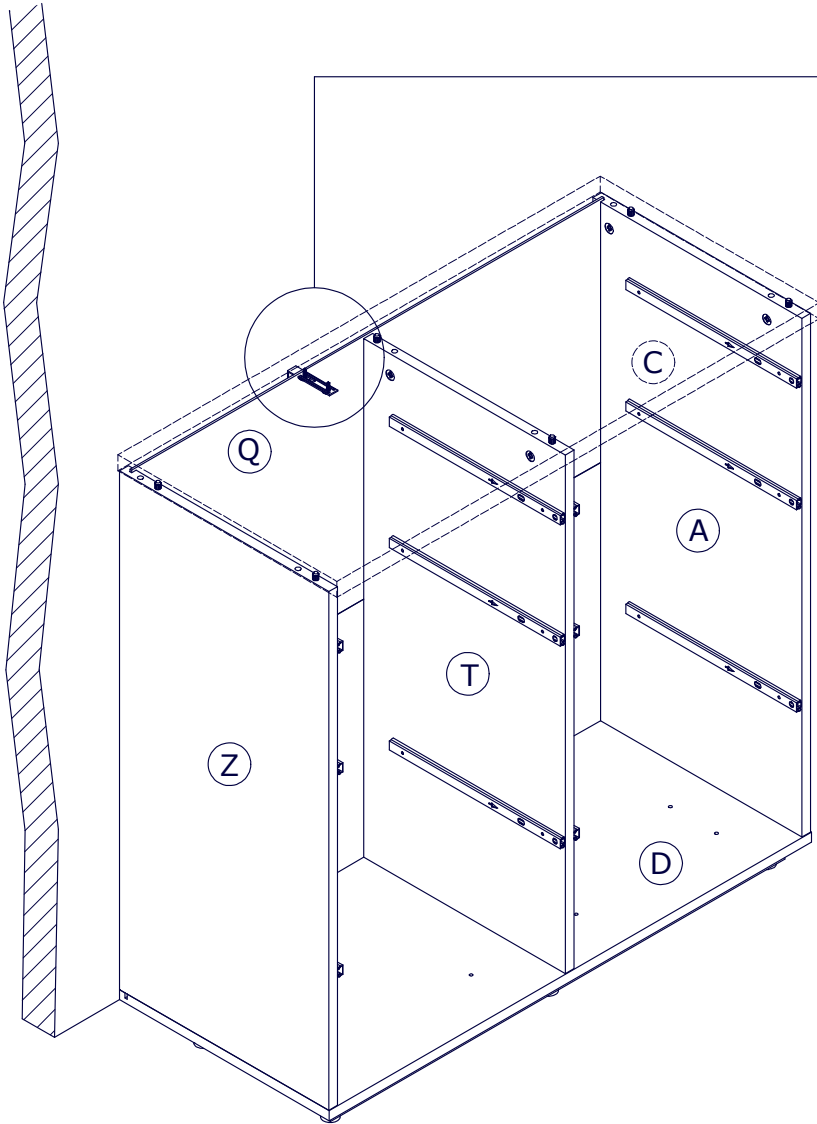
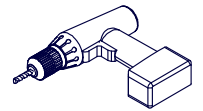
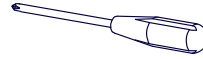
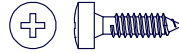
H185 x 1



H129 x 2



V81 x 2



16

V38 x 12

