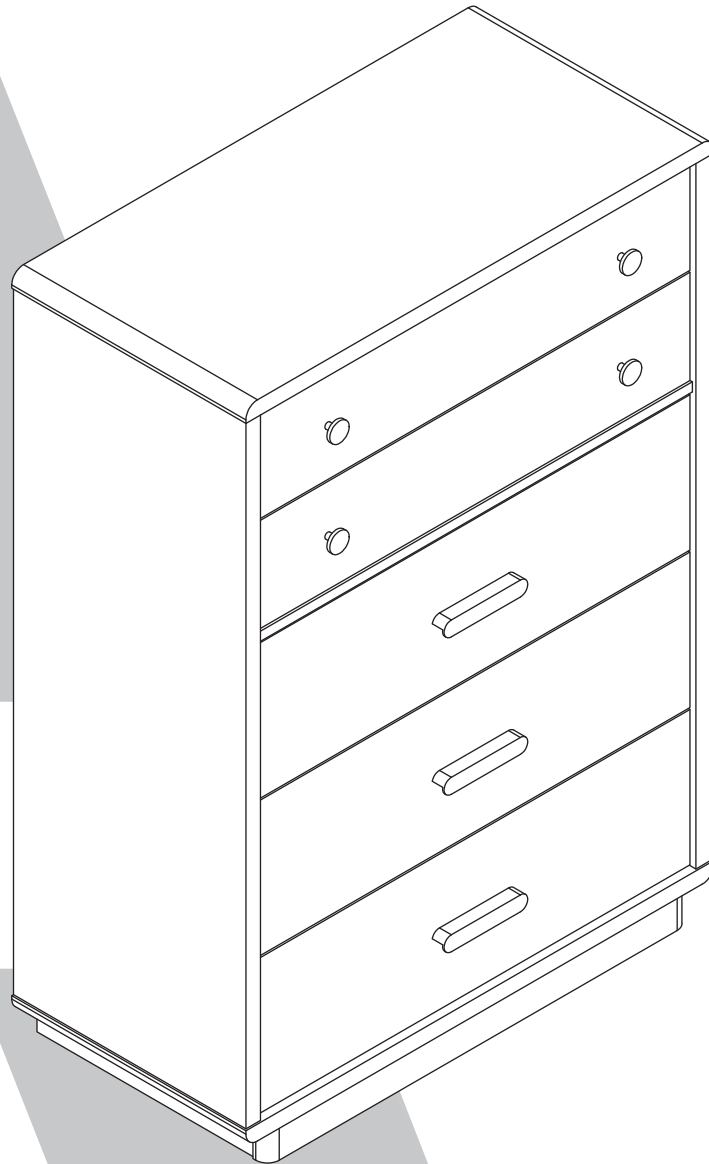


9005013COM (Taupe and White) Cosmo Living Valencia Tall Dresser

Date of Purchase: ____/____/____
Lot Number: _____

B349005XXXCOM00SW



042024SW

THIS INSTRUCTION BOOKLET CONTAINS **IMPORTANT** SAFETY INFORMATION. PLEASE READ AND KEEP FOR FUTURE REFERENCE.

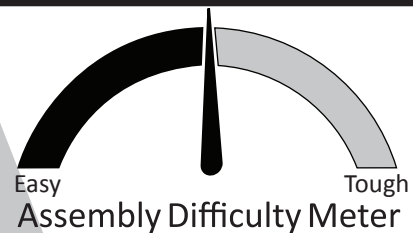
Do Not Return This Product!

Contact our customer service team for help first
Call: 1-800-489-3351 (toll free)
Visit: www.ameriwoodhome.com



WARNING

- Unit can tip over causing severe injury or death.
- Anchor unit to stud in wall (if instructed to)
- Do not allow children climb on unit
- Put heavy items on lower shelves or drawers



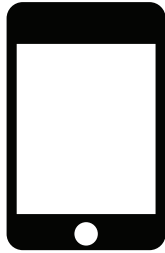
Follow Ameriwood Home



Contact Us!

Do NOT return this product!

Contact our friendly customer service team first for help



Call us!
1-800-489-3351

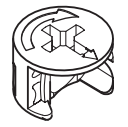


Visit ameriwoodhome.com

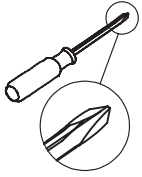
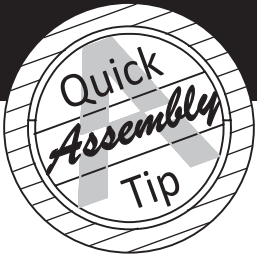
Helpful Hints

PEOPLE NEEDED FOR ASSEMBLY: 2

- Open your item in the area you plan to keep it for less heavy lifting.
- Identify, sort, and count the parts before attempting assembly.
- Lay all parts on smooth flat surface.
- Compression Wood Dowels are tapped in with a hammer.
- Make sure to always face the point between (+) & (-) on top of the Cam Locks towards the outer edge.
- Do NOT use harsh chemicals or abrasive cleaners on this item.
- Never push, pull, or drag your furniture.



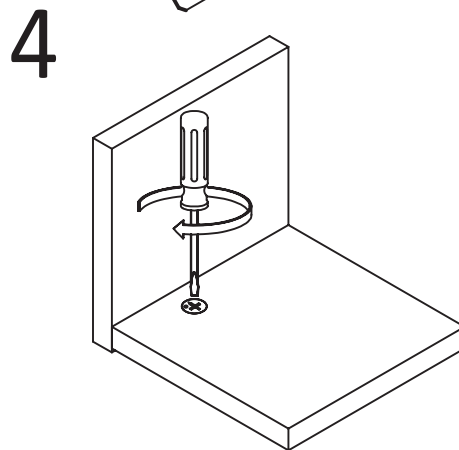
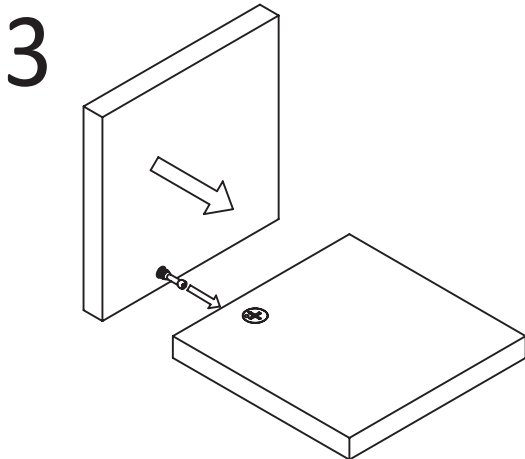
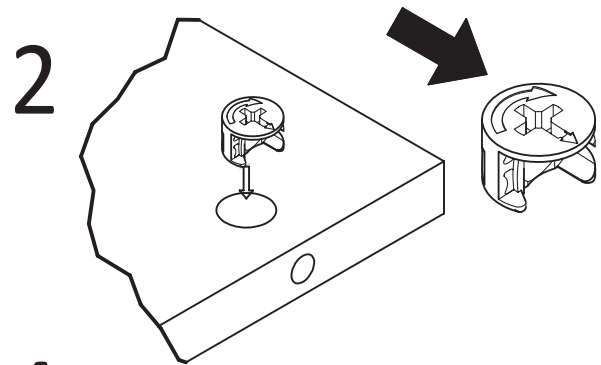
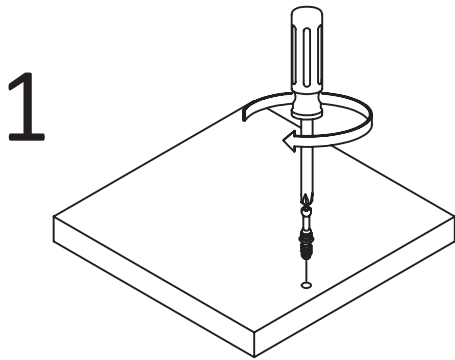
Before You Start



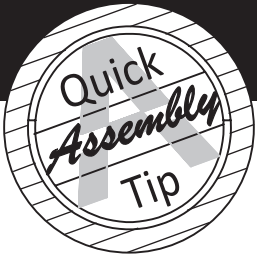
- ✓ Read through each step carefully and follow the proper order.
- ✓ Separate and count all your parts and hardware.
- ✓ Give yourself enough room for the assembly process.
- ✓ Have the following tools: Phillips Head Screwdriver and Hammer.
- ✓ Caution: If using a power drill or power screwdriver for screwing, please be aware to slow down and stop when screw is tight. Failure to do so may result in stripping the screw.

Cam Lock Fastening System

This Cam Lock Fastening System will be used throughout the assembly process.

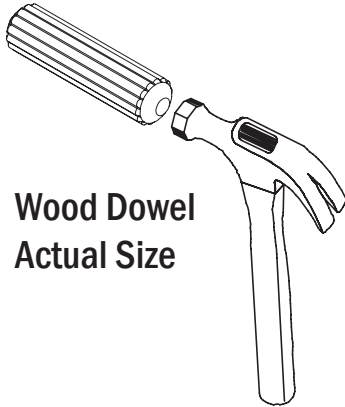


Before You Start



Please Note:

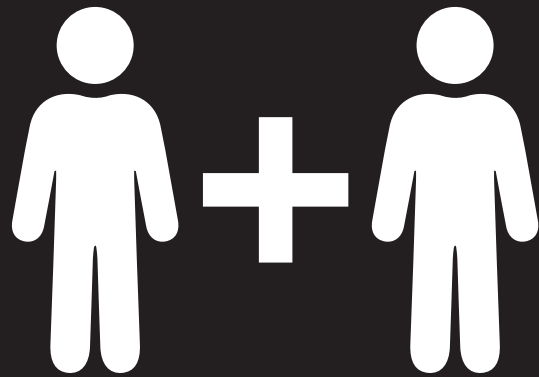
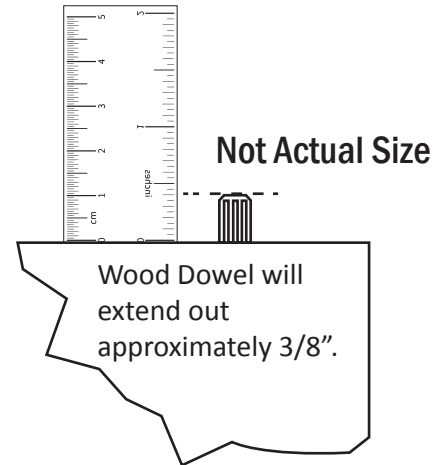
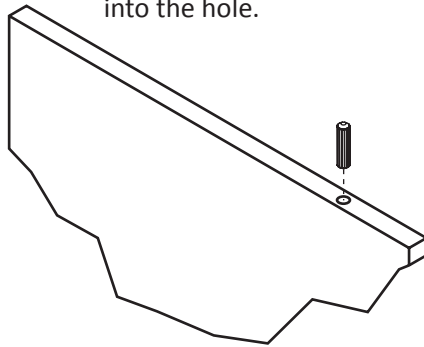
You may need to lightly tap the wood dowels with a hammer into the holes during your assembly process.



Wood Dowel
Actual Size

Wood Dowel Insertion:

Insert wood dowel completely
into the hole.



2 PEOPLE NEEDED FOR ASSEMBLY

2 PERSONAS NECESITADAS

PARA LA ASAMBLEA

2 PERSONNES NÉCESSAIRES

À L'ASSEMBLÉE

CAUTION: Failure to use 2 people for assembly could result in unit damage or personal injury.

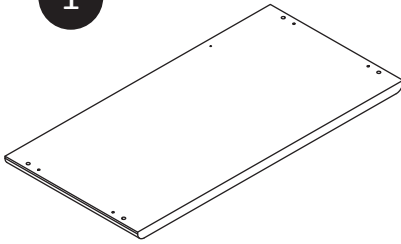
ADVERTENCIA: Si no se utilizan 2 personas para el ensamblaje, puede producirse daño a la unidad o lesiones personales.

ATTENTION : Le fait de ne pas utiliser 2 personnes pour l'assemblage peut entraîner des dommages à l'unité ou des blessures personnelles.

Board Identification

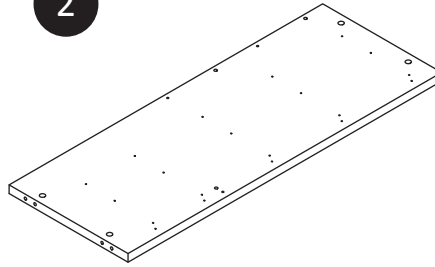
Not actual size

1



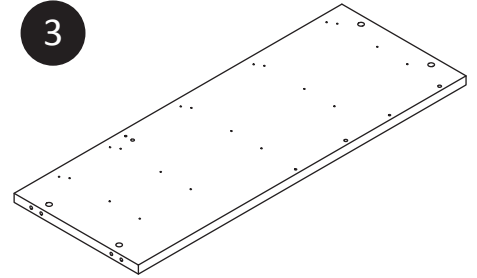
x1
TOP PANEL

2



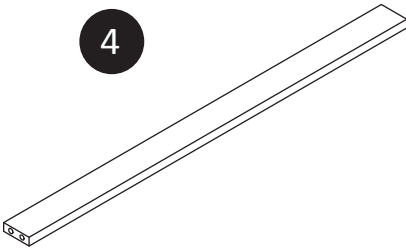
x1
LEFT SIDE PANEL

3



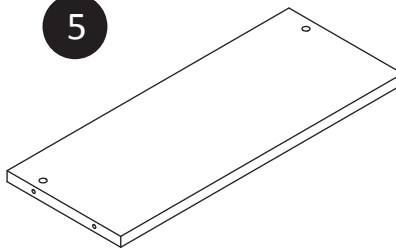
x1
RIGHT SIDE PANEL

4



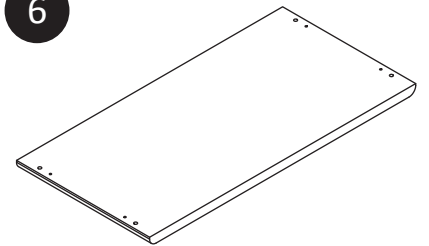
x1
FRONT MOLDING

5



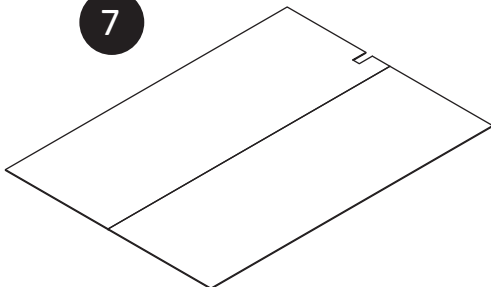
x2
COUNTERWEIGHT

6



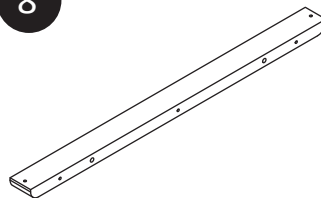
x1
BOTTOM PANEL

7



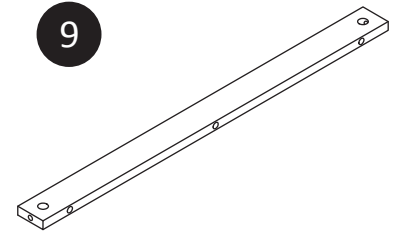
x1
BACK PANEL

8



x1
FRONT STRETCHER

9

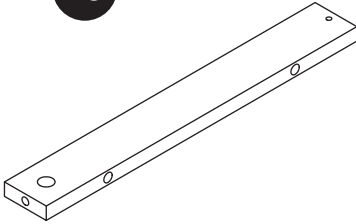


x1
BACK STRETCHER

Board Identification

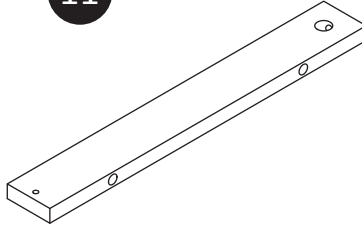
Not actual size

10



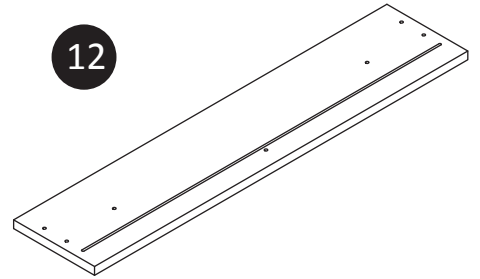
x1
SIDE STRETCHER LEFT

11



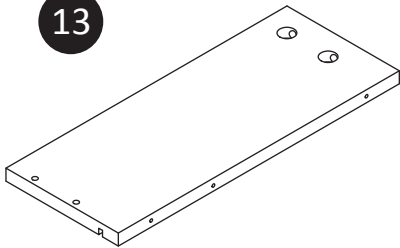
x1
SIDE STRETCHER RIGHT

12



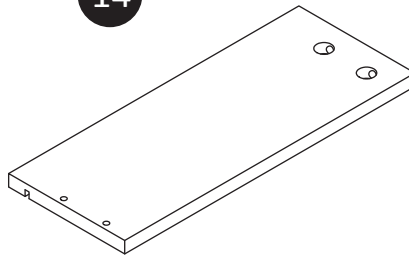
x2
UPPER DRAWER FACE

13



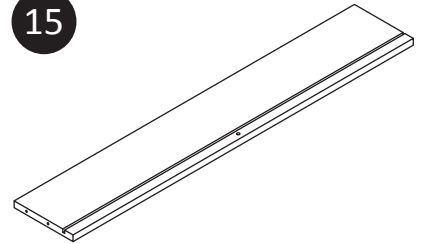
x2
UPPER SIDE DRAWER (LEFT)

14



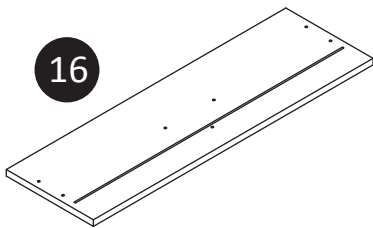
x2
UPPER SIDE DRAWER (RIGHT)

15



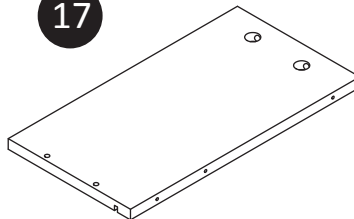
x2
UPPER BACK DRAWER

16



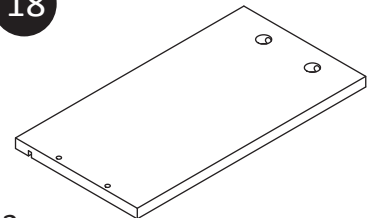
x3
BOTTOM DRAWER FACE

17



x3
BOTTOM SIDE DRAWER (LEFT)

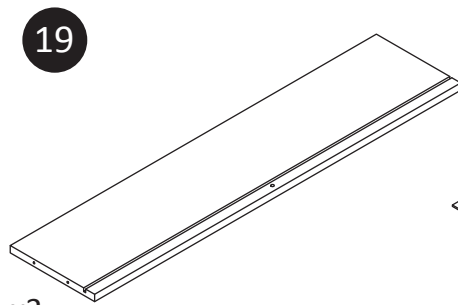
18



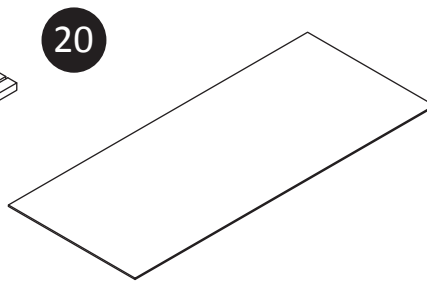
x3
BOTTOM SIDE DRAWER (RIGHT)

Board Identification

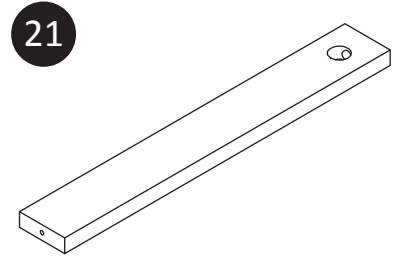
Not actual size



x3
BOTTOM BACK DRAWER



x5
DRAWER BOTTOM

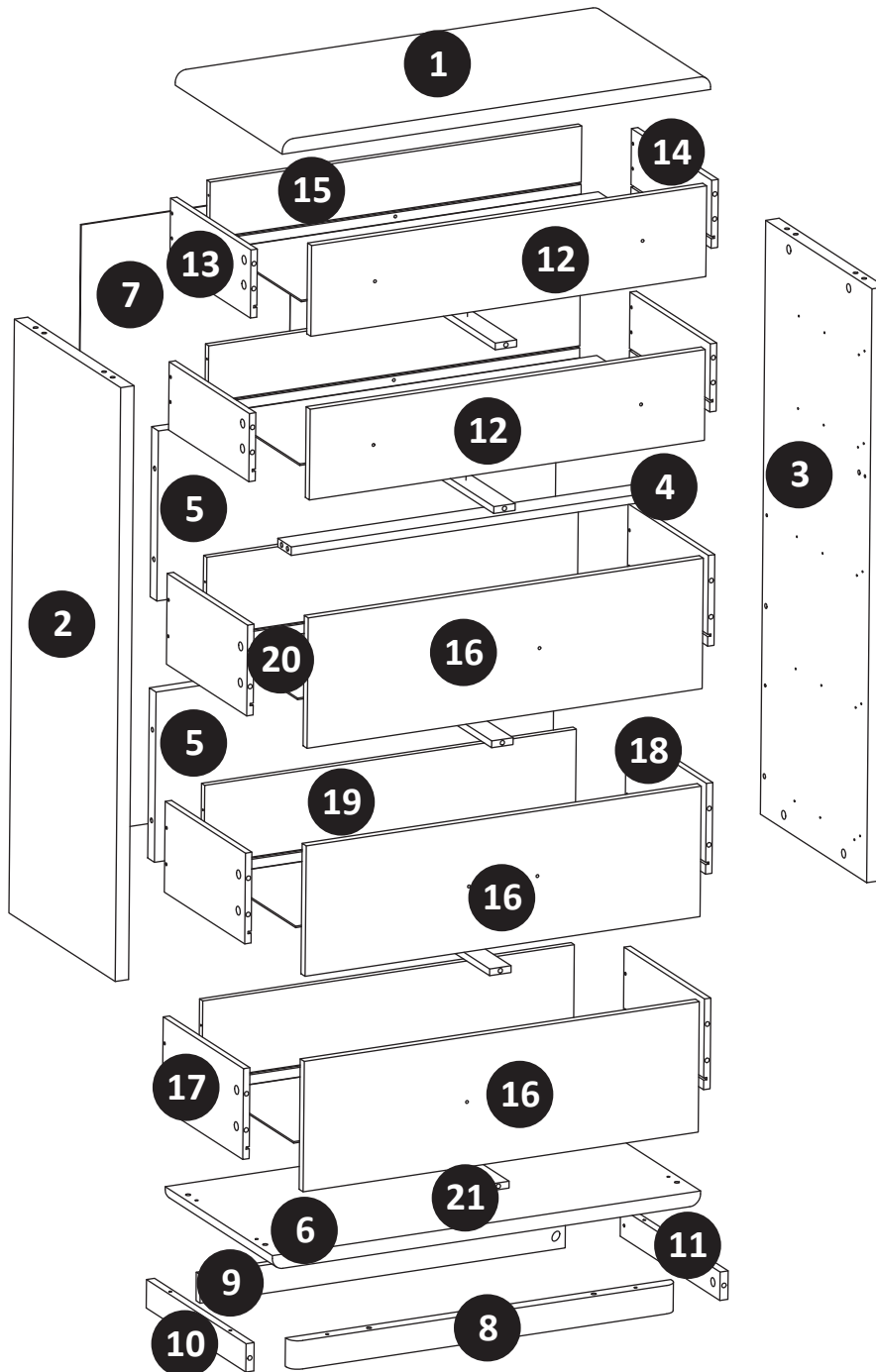


x5
DRAWER SUPPORT

For any replacement part,
see page 9.

Board Identification

Not actual size



Part Number Reference



Each part has a unique part number. Please refer to the appropriate part number when contacting customer service for replacement parts.



Before throwing any packaging, please verify all contents and make sure you have received all the part listed above.

LABEL	PART NAME	Quantity	9005013COM (Taupe and White)
1	TOP PANEL	1	T9005013010SW
2	LEFT SIDE PANEL	1	T9005013020SW
3	RIGHT SIDE PANEL	1	T9005013030SW
4	FRONT MOLDING	1	T9005013040SW
5	COUNTERWEIGHT	2	T9005013050SW
6	BOTTOM PANEL	1	T9005013060SW
7	BACK PANEL	1	T9005013070SW
8	FRONT STRETCHER	1	T9005013080SW
9	BACK STRETCHER	1	T9005013090SW
10	SIDE STRETCHER LEFT	1	T9005013100SW
11	SIDE STRETCHER RIGHT	1	T9005013110SW
12	UPPER DRAWER FACE	2	T9005013120SW
13	UPPER SIDE DRAWER (LEFT)	2	T9005013130SW
14	UPPER SIDE DRAWER (RIGHT)	2	T9005013140SW
15	UPPER BACK DRAWER	2	T9005013150SW
16	BOTTOM DRAWER FACE	3	T9005013160SW
17	BOTTOM SIDE DRAWER (LEFT)	3	T9005013170SW
18	BOTTOM SIDE DRAWER (RIGHT)	3	T9005013180SW
19	BOTTOM BACK DRAWER	3	T9005013190SW
20	DRAWER BOTTOM	5	T9005013200SW
21	DRAWER SUPPORT	5	T9005013210SW

Part List

Actual Size

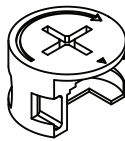
For any replacement hardware,
see page 12.

A



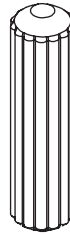
x43
TSW0001
Cam Bolt

B



x43
TSW0002
Cam Lock
15-10

C



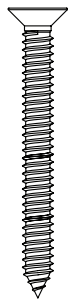
x16
TSW0004
DOWEL
M8 X 30

D



x60
TSW0007
SCREW
CBS 3.5 x 14

E



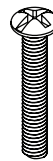
x35
TSW0008
SCREW
CBS 4 x 38

F



x20
TSW0015
NAIL

G

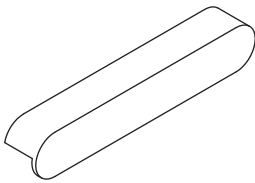


x10
TSW3006
HANDLE SCREW

Part List

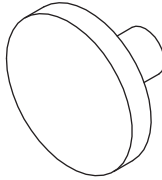
Not Actual Size

H



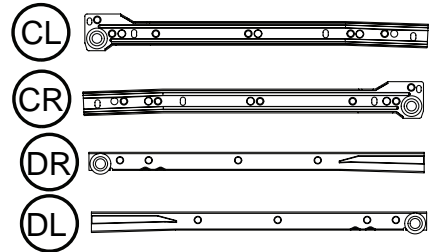
x3
TSW3003
HANDLE

I



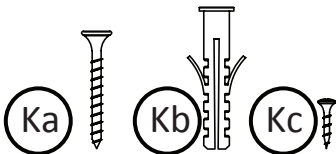
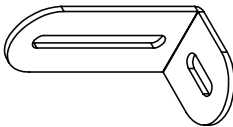
x4
TSW3004
ROUND KNOB

J



x5 SETS
TSW1003
DRAWER SLIDE
300 MM

K



x1 SET
TSW2004
ANTI TIPPING KIT

Hardware Number Reference



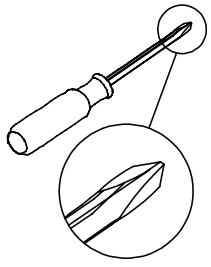
Each part has a unique part number. Please refer to the appropriate part number when contacting customer service for replacement parts.



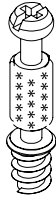
Before throwing any packaging, please verify all contents and make sure you have received all the part listed above.

MODEL#	9005013COM (Taupe and White)
Hardware Bag Reference#:	29005013COM0SW

Step 1

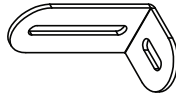


(A)



x4

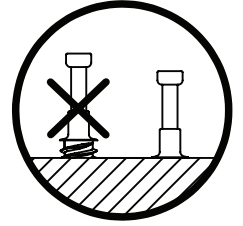
(K)



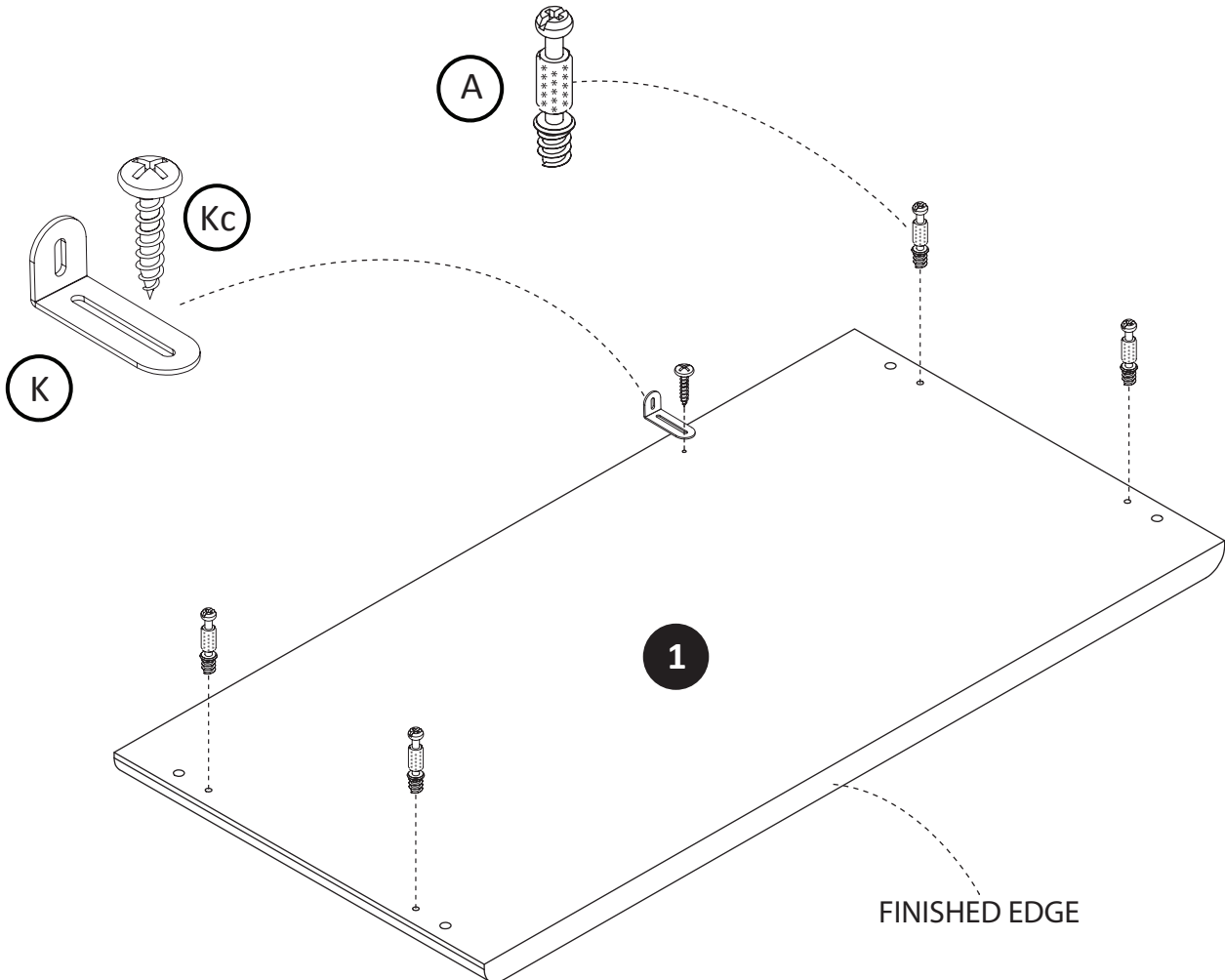
(Kc)



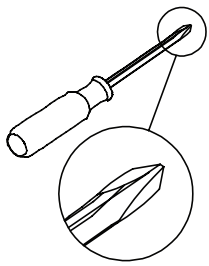
x1



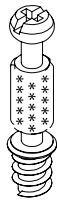
Insert Cam Bolts (A) x 4 to Top Panel (1). Attach Anti Tipping Kit (K) to Top Panel (1) and use (Kc) to tighten. "Note : this (Kc) will be tighten in step 29".



Step 2

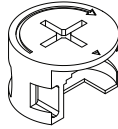


A



x6

B

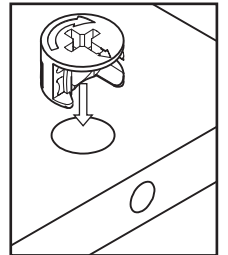
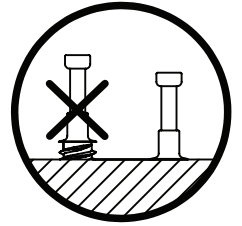
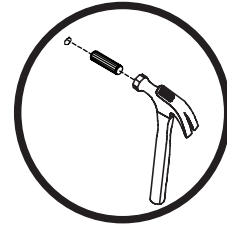


x8

C

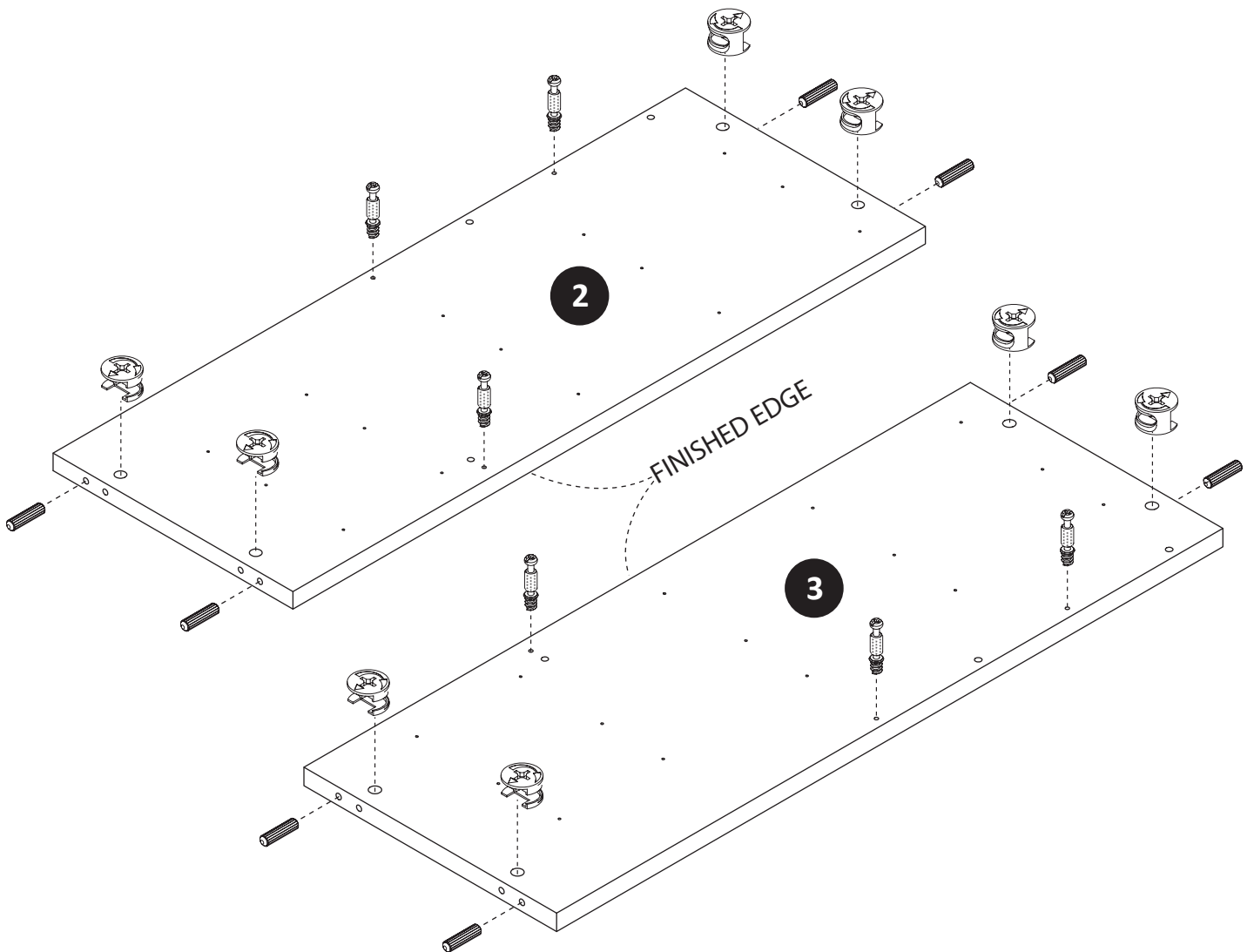


x8

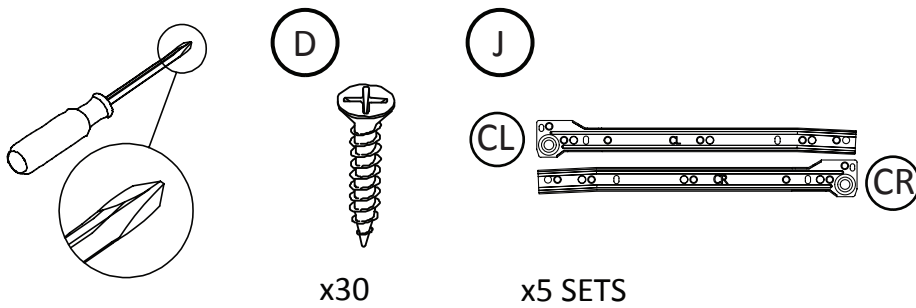


Insert Cam Bolts (A) x 3, Cam Locks (B) x 4 and Wood Dowels (C) x 4 to Left Side Panel (2).
Insert Cam Bolts (A) x 3, Cam Locks (B) x 4 and Wood Dowels (C) x 4 to Right Side Panel (3).

Proper orientation of CAM LOCK

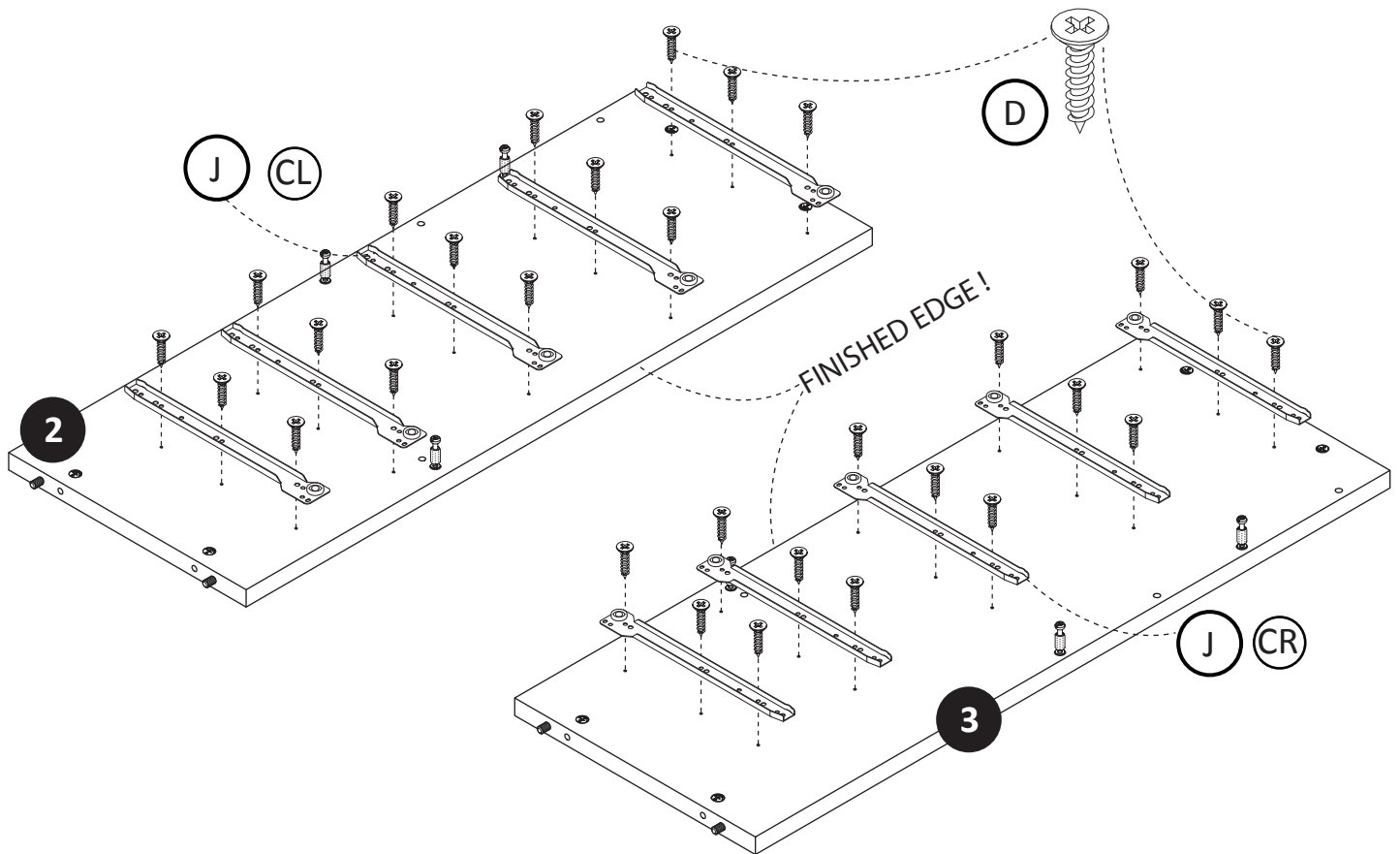


Step 3

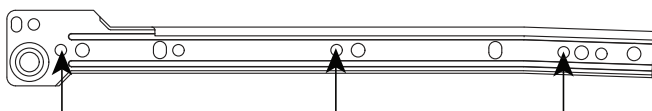


Attach Drawer Slides (J) CL x 5 to Left Side Panel (2), secure with Screws (D) x 15 as illustrated.

Attach Drawer Slides (J) CR x 5 to Right Side Panel (3), secure with Screws (D) x 15 as illustrated.

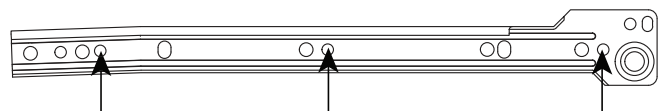


Use these holes :



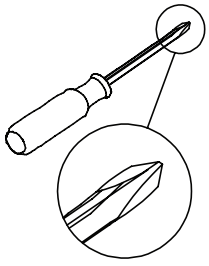
Slide CL , Screw position on Panel (2)

Use these holes :

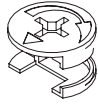


Slide CR , Screw position on Panel (3)

Step 4



B

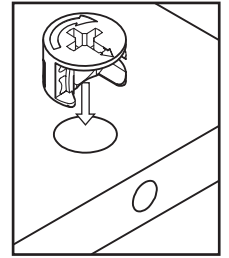
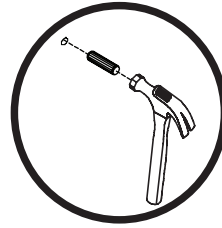


x6

C

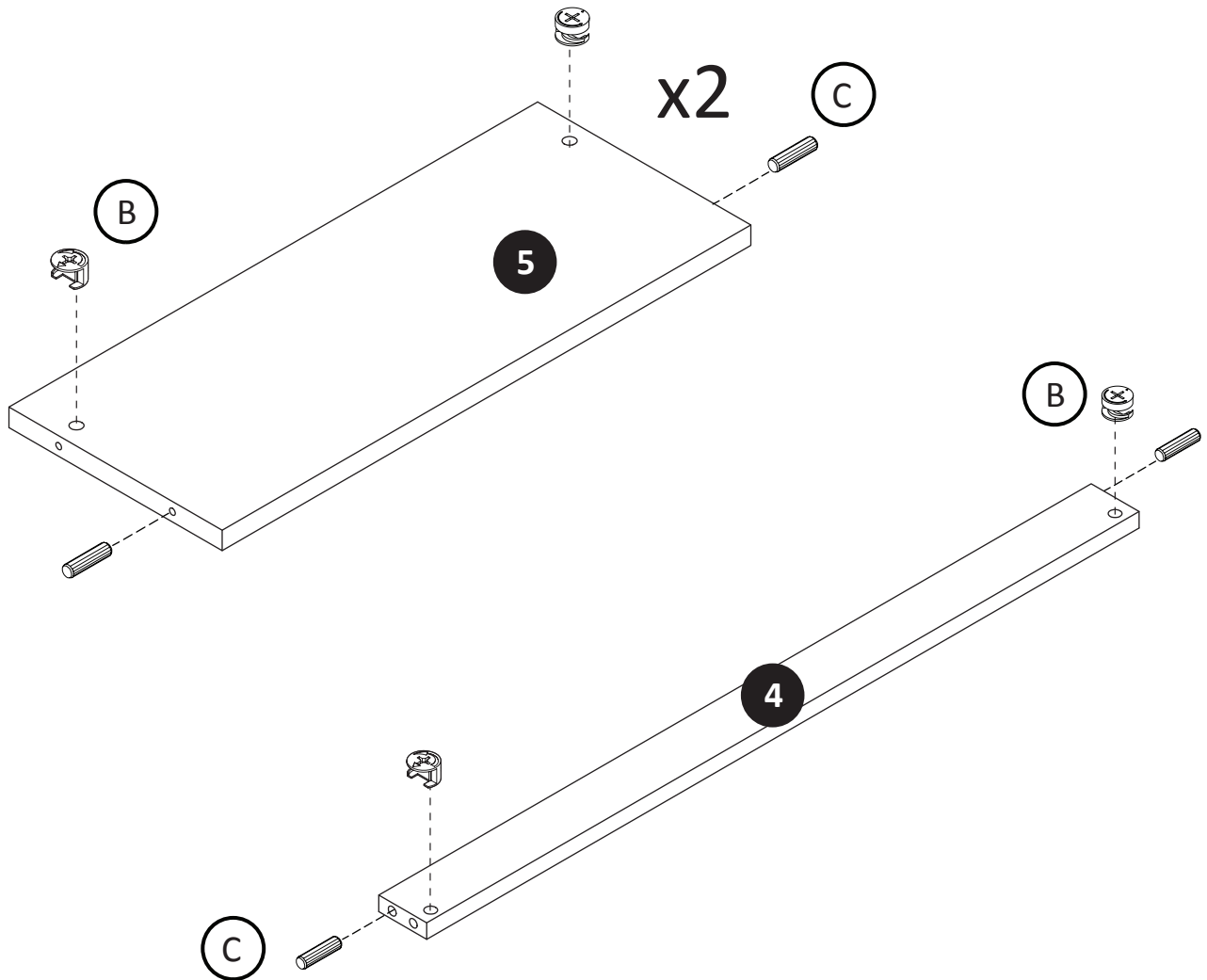


x6

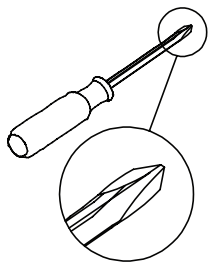


Proper orientation of CAM LOCK

Insert Cam Locks (B) x 2 and Wood Dowels (C) x 2 to Panel (5).
Insert Cam Locks (B) x 2 and Wood Dowels (C) x 2 to Panel (4).



Step 5

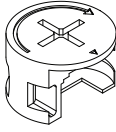


(A)



x4

(B)

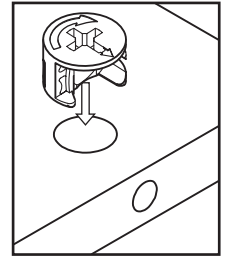
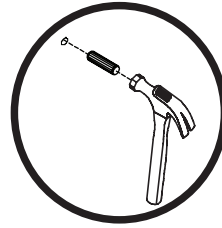


x4

(C)

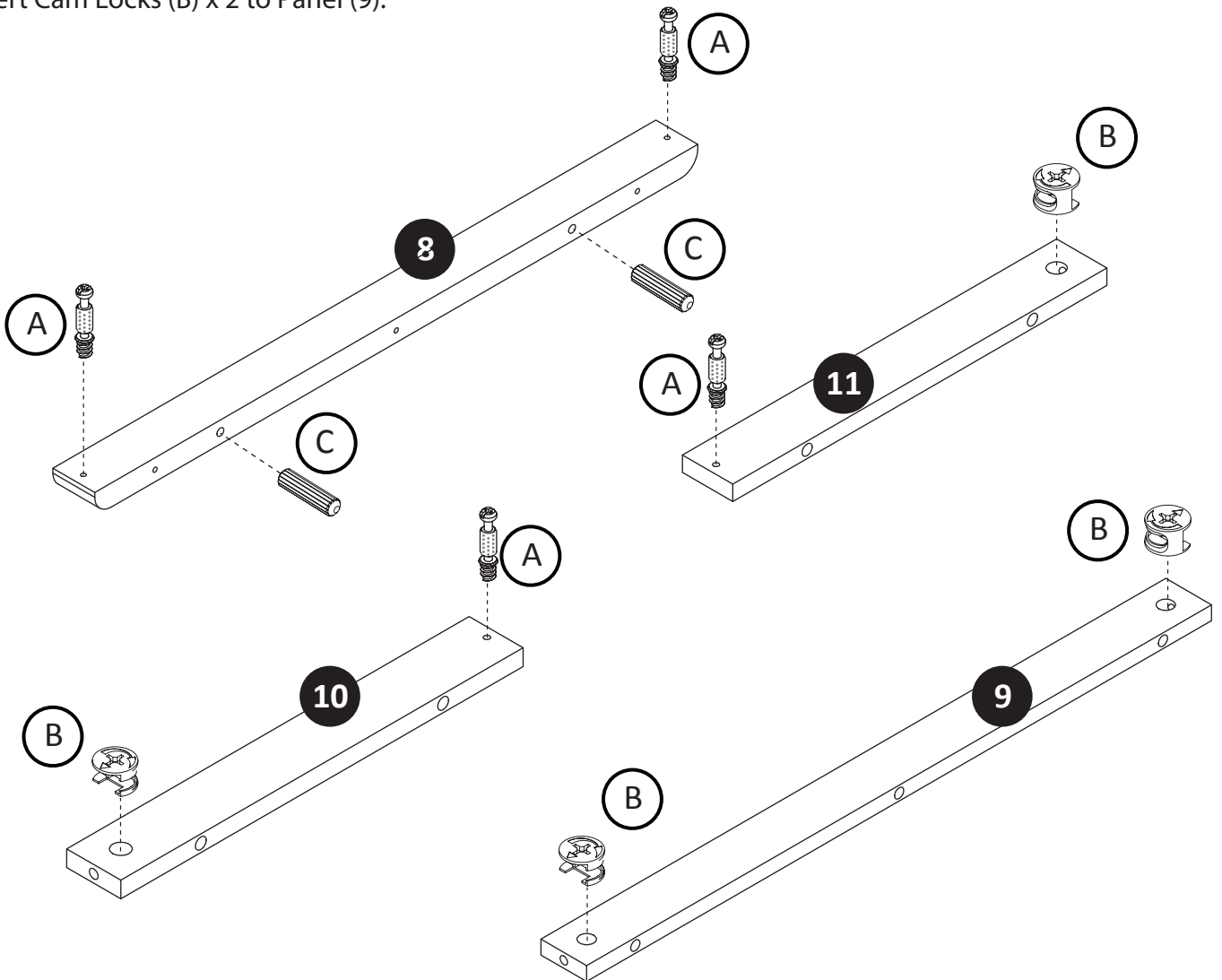


x2

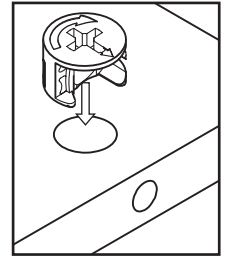
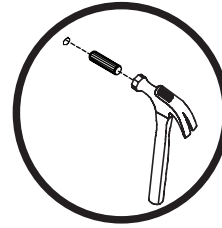
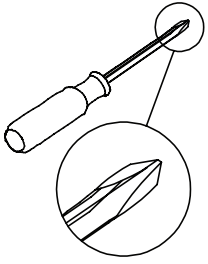


Proper orientation of CAM LOCK

Insert Cam Bolts (A) x 2 and Wood Dowels (C) x 2 to Panel (8).
Insert Cam Bolt (A) x 1 and Cam Lock (B) x 1 to Panel (10) and Panel (11).
Insert Cam Locks (B) x 2 to Panel (9).

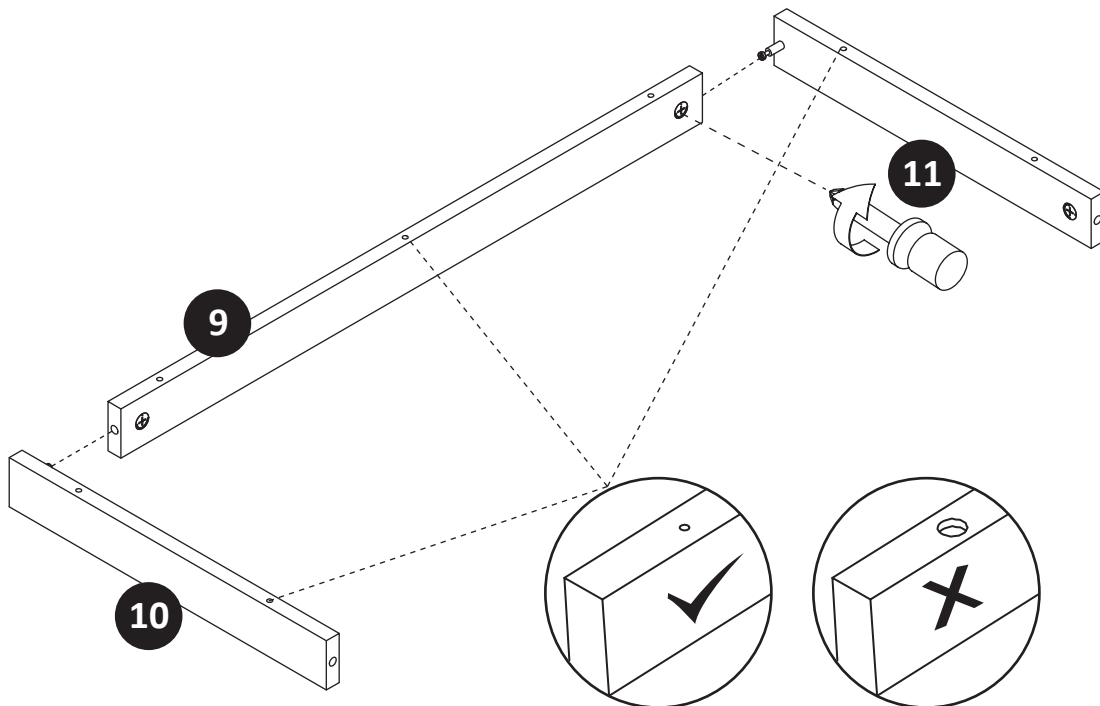


Step 6



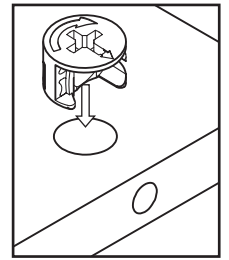
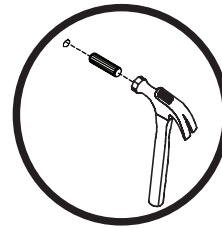
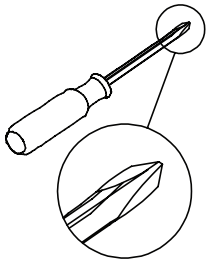
Proper orientation of CAM LOCK

Attach Panel (10) and Panel (11) to Panel (9), tighten the Cam Locks clockwise.



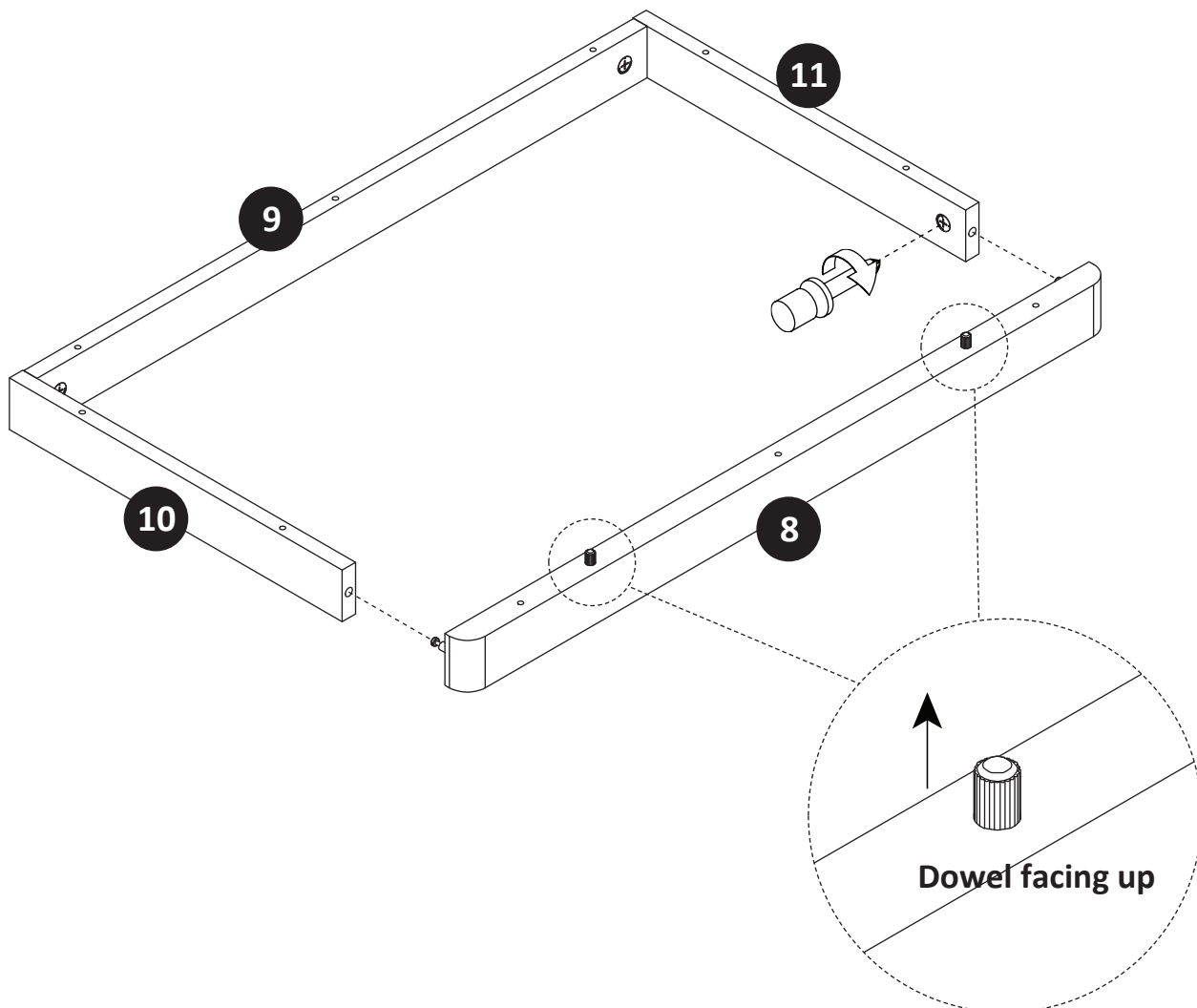
Important!
Ensure the small holes facing up!

Step 7

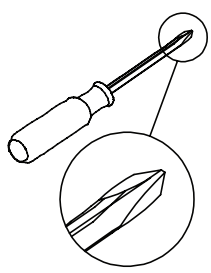


Proper orientation of CAM LOCK

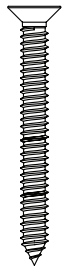
Attach Panel (8) to Panel (10) and Panel (11), tighten the Cam Locks clockwise.



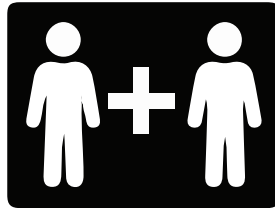
Step 8



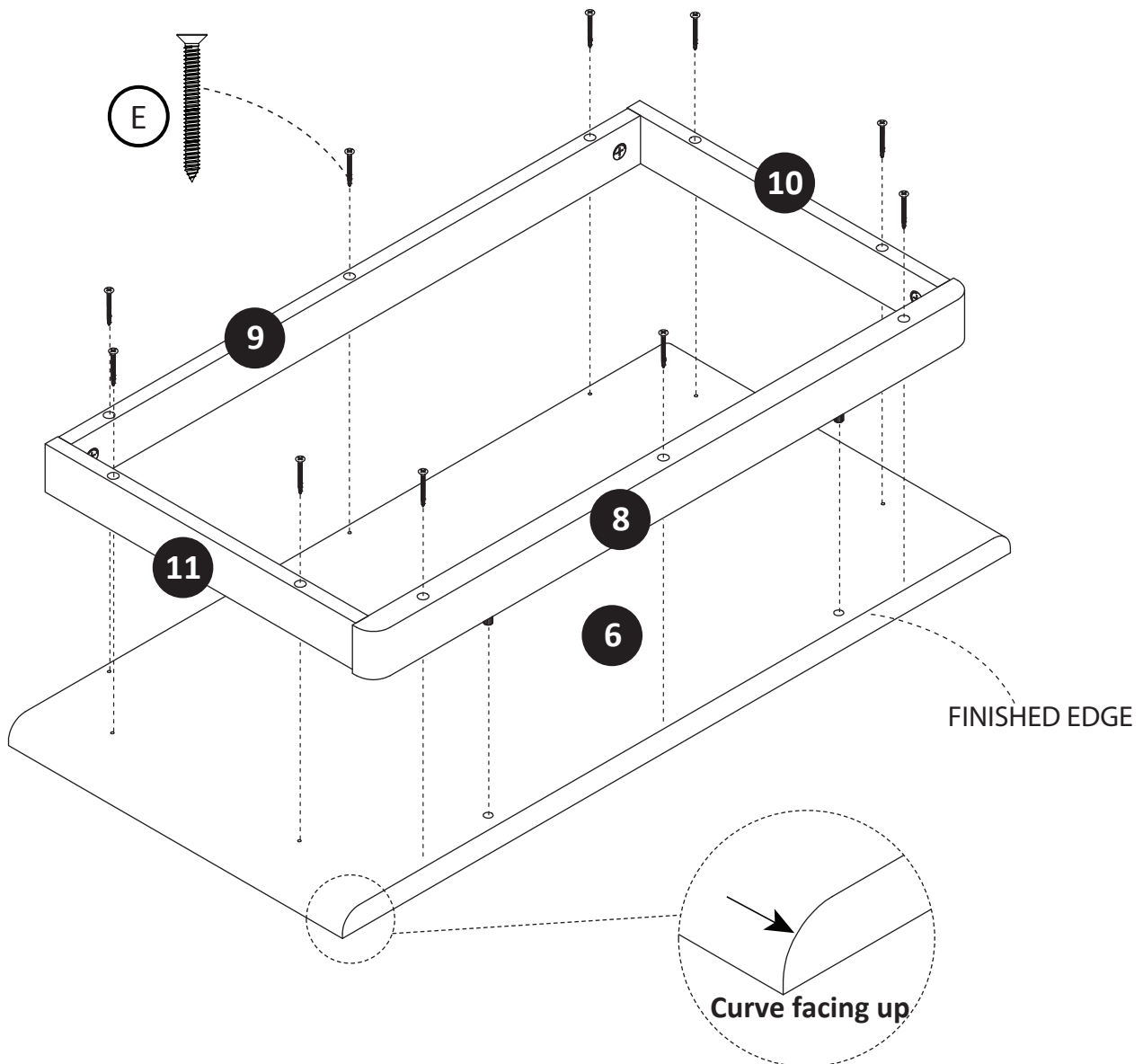
E



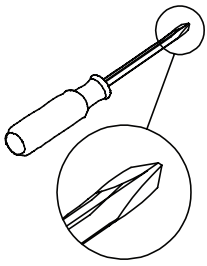
x10



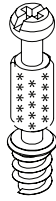
Attach Panel (8), panel (9), panel (10) and panel (11) to Bottom Panel (6), secure with Screw (E) x 10 as illustrated.



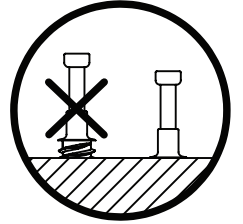
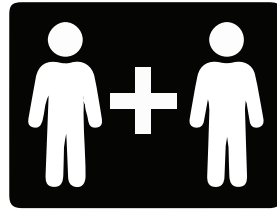
Step 9



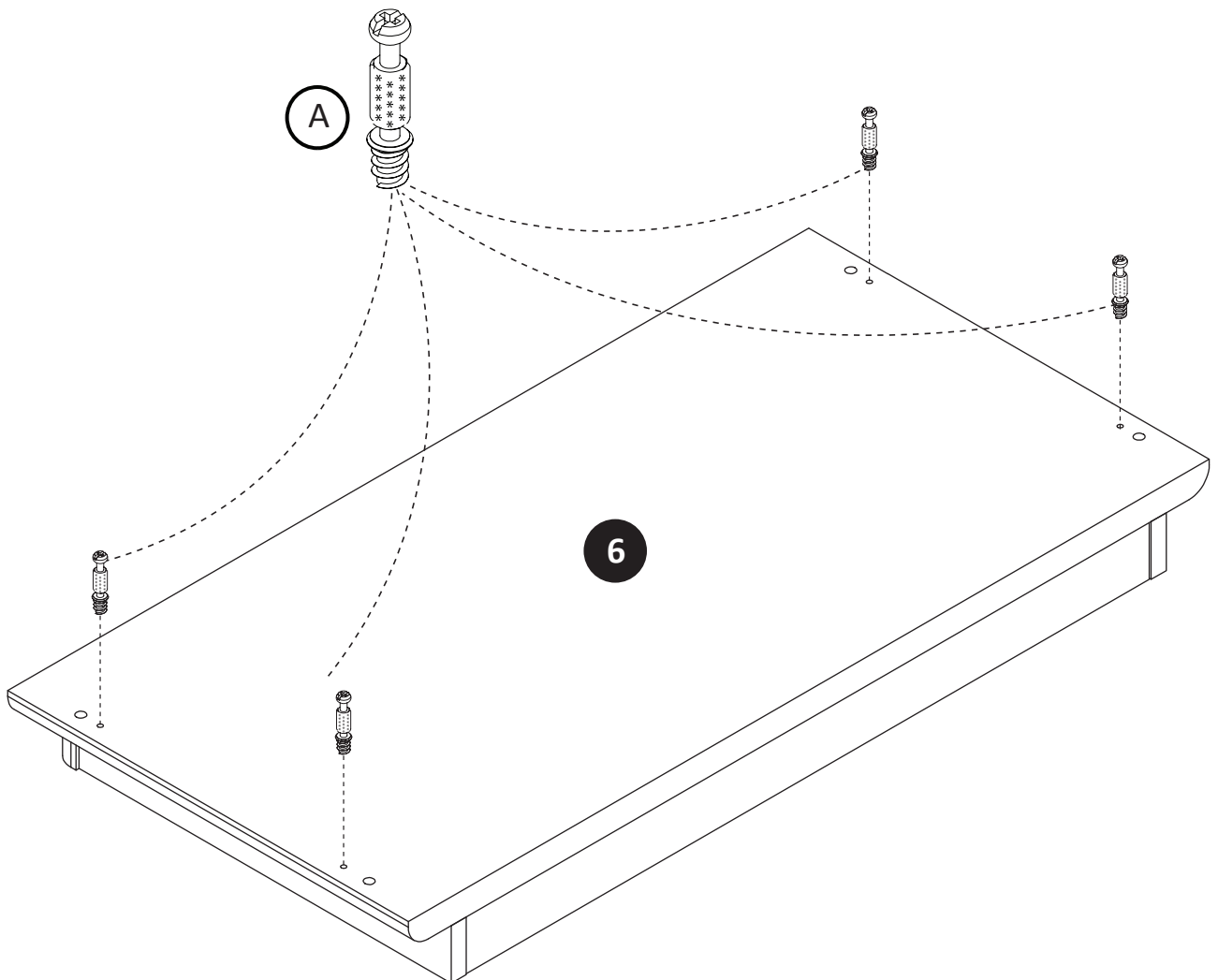
A



x4

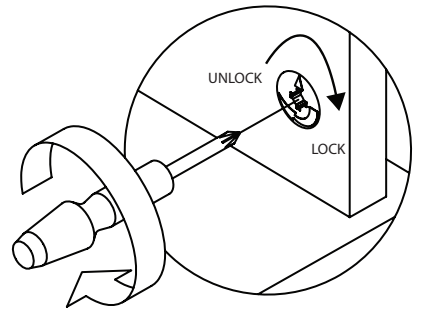
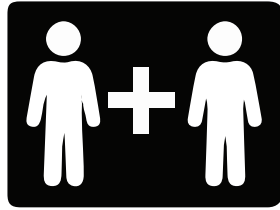
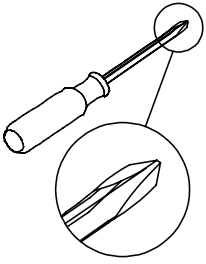


Turn over the Panel (6), insert Cam Bolts (A) x 4.

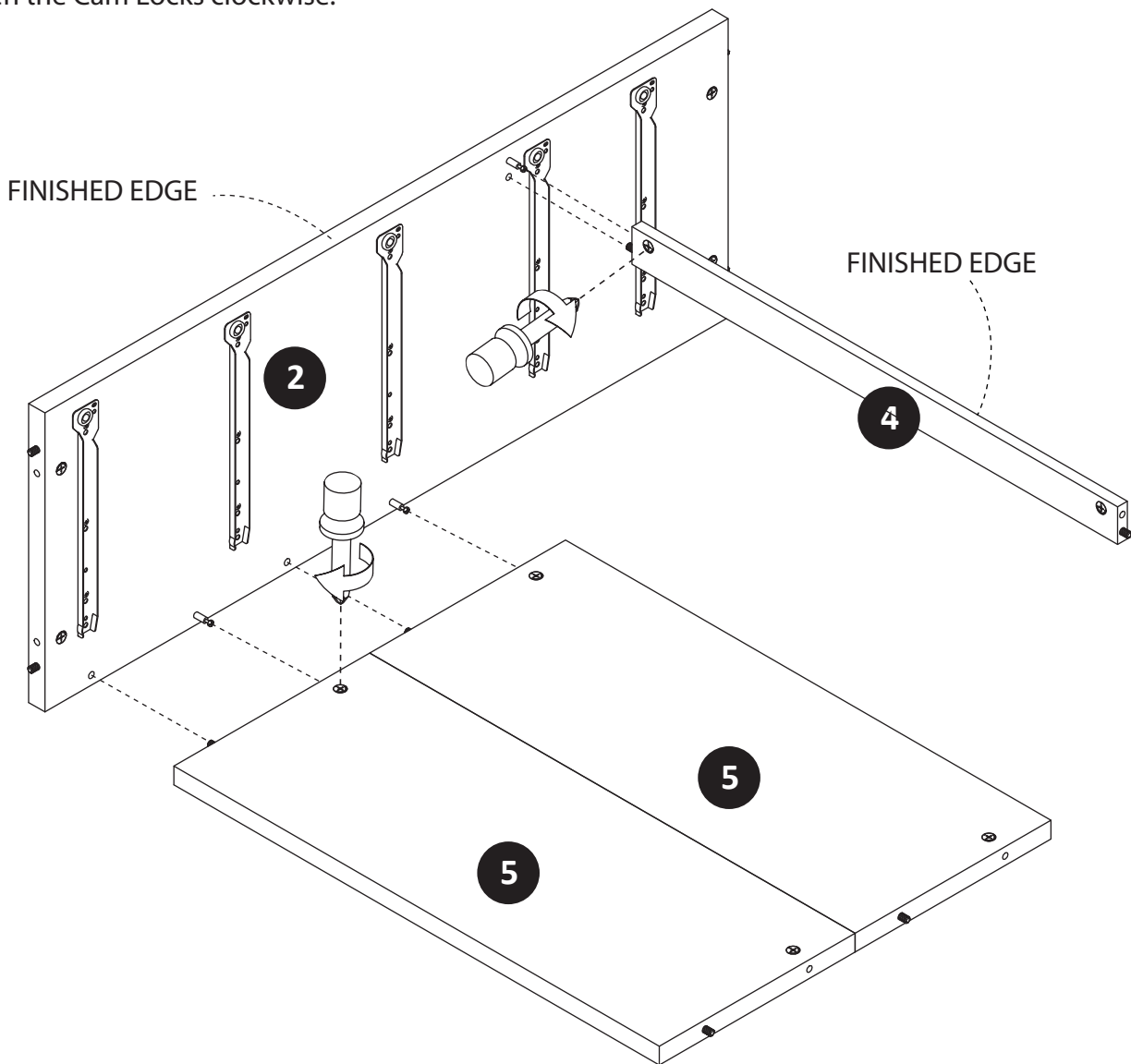


Pro Tip : Second person is recommended for ease of assembly on this step

Step 10

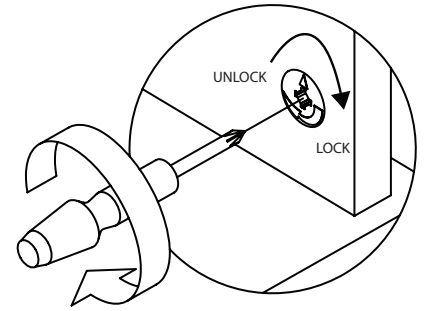
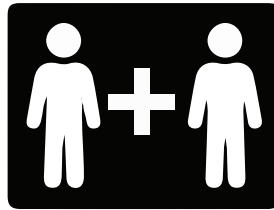
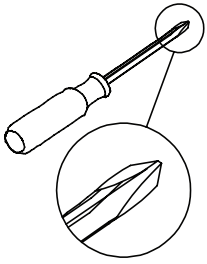


Attach Panel (5) x 2 and Panel (4) to Left Side Panel (2), tighten the Cam Locks clockwise.

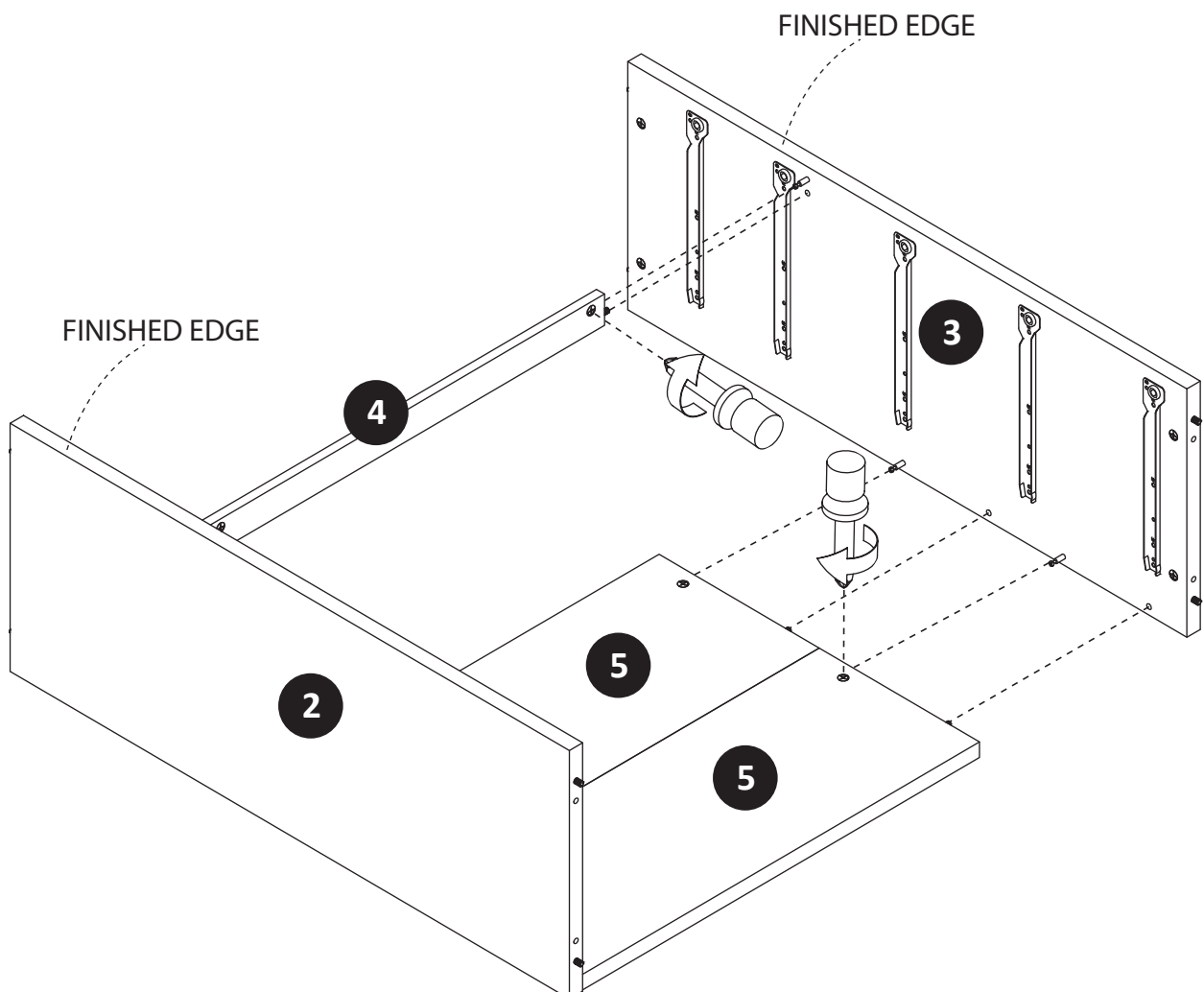


Pro Tip : Second person is recommended for ease of assembly on this step

Step 11

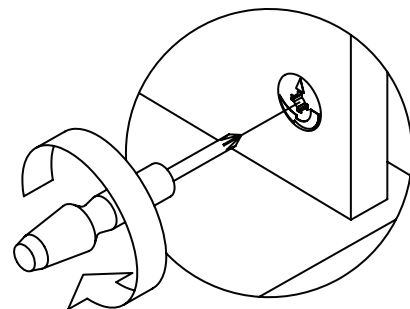
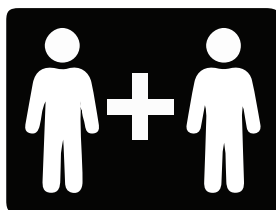
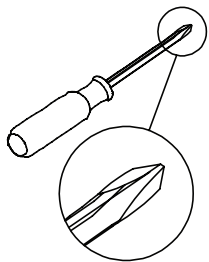


Attach Right Side Panel (3) to Panel (4) and Panel (5), tighten the Cam Locks clockwise.

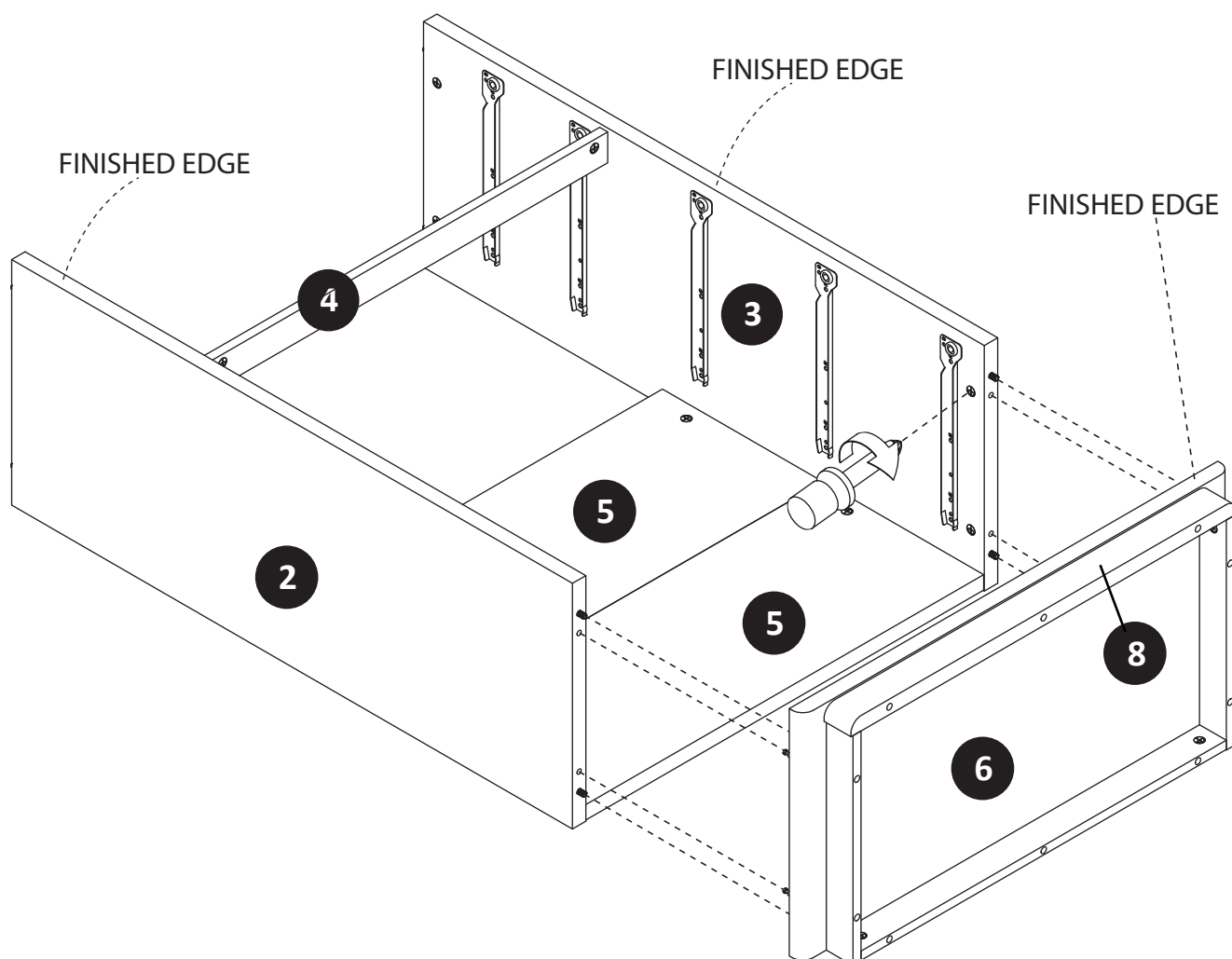


Pro Tip : Second person is recommended for ease of assembly on this step

Step 12

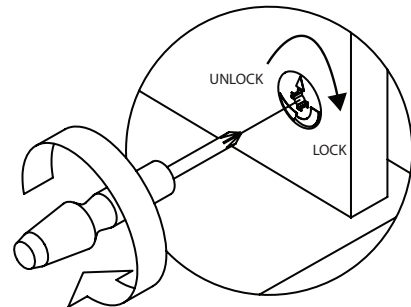
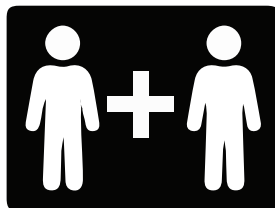
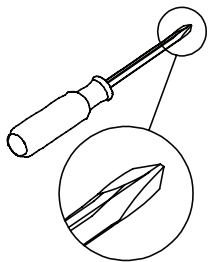


Attach Bottom Panel (6) to Left Side Panel (2) and Right Side Panel (3), tighten the Cam Locks clockwise.

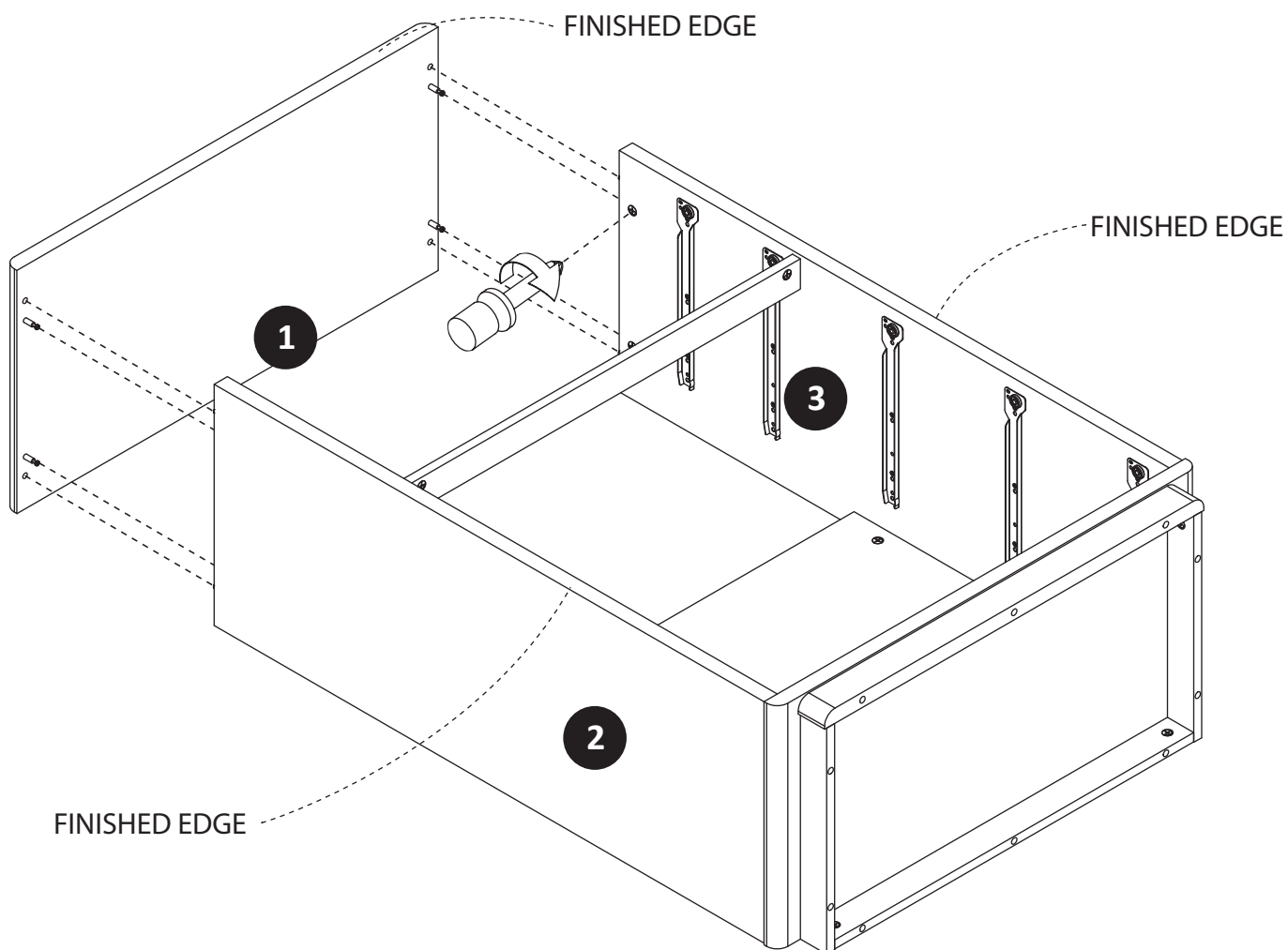


Pro Tip : Second person is recommended for ease of assembly on this step

Step 13

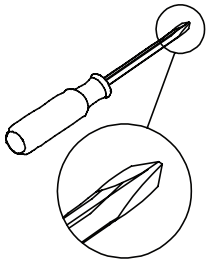


Attach Top Panel (1) to Left Side Panel (2) and Right Side Panel (3), tighten the Cam Locks clockwise.



Pro Tip : Second person is recommended for ease of assembly on this step

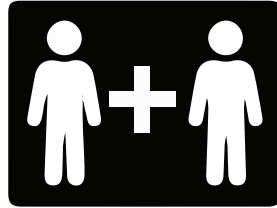
Step 14



F

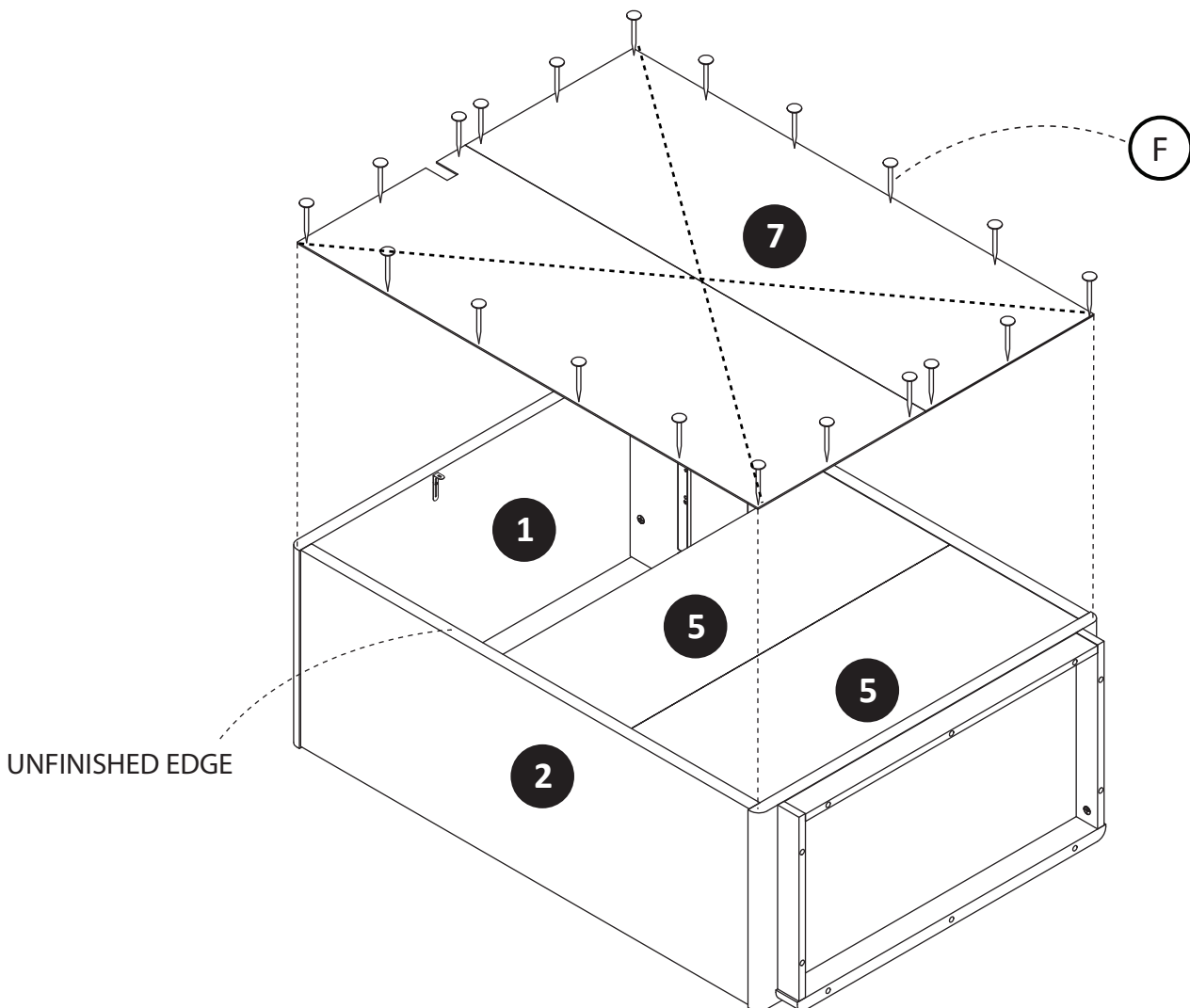


x20



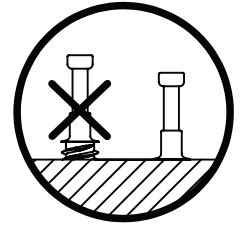
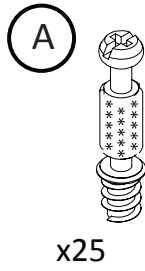
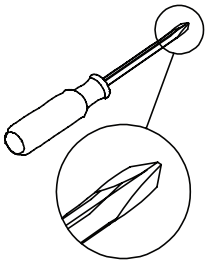
IMPORTANT ! THE BACK PANEL IS A STRUCTURAL PART OF THIS UNIT AND MUST BE INSTALLED PROPERLY.

With the assistance of second person, carefully turn the unit upside down. Attach Back Panel (7) with Nails (F) x 20. Ensure the unit is rectangle. Distance from corner to corner must be equal.

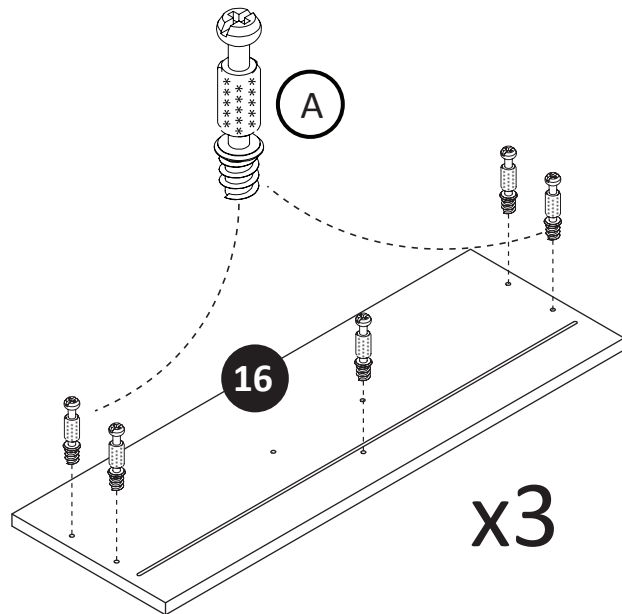
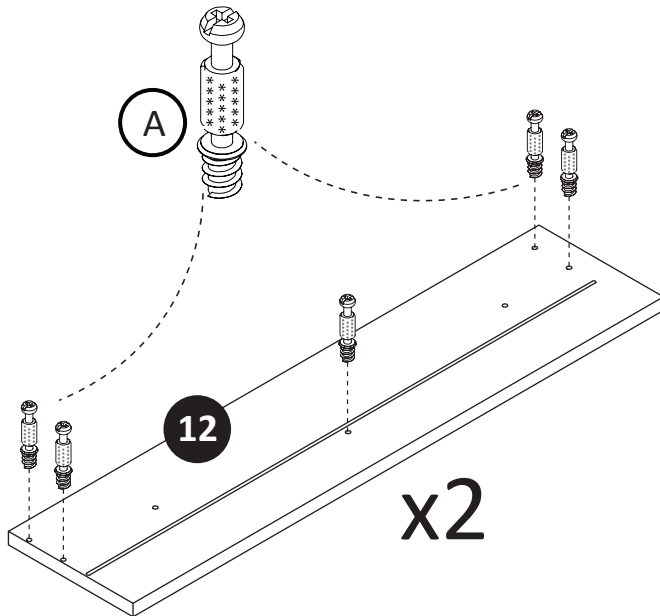


Pro Tip : Second person is recommended for ease of assembly on this step

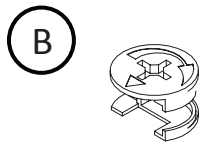
Step 15



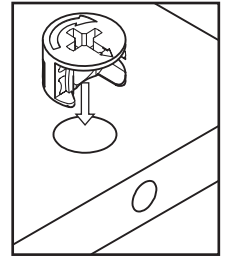
Insert Cam Bolts (A) x 25 to Panel (12) x 2 and Panel (16) x 3.



Step 16

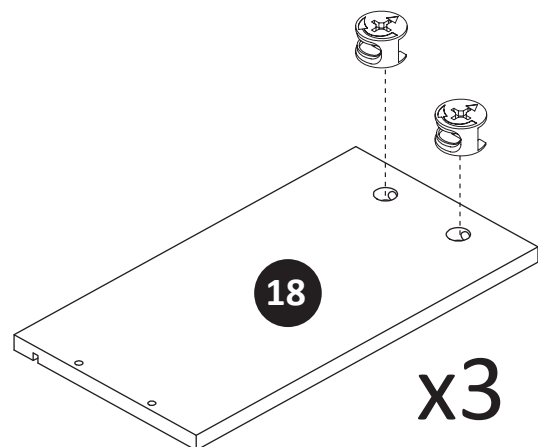
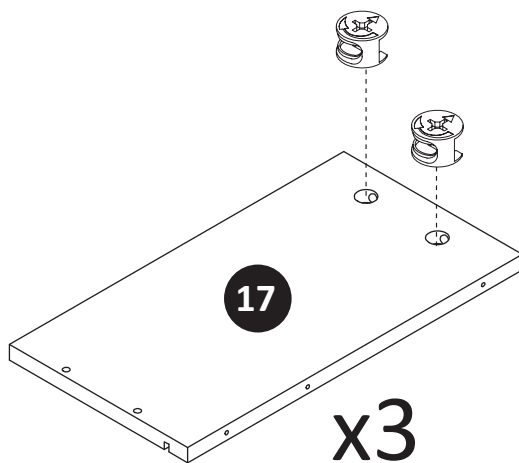
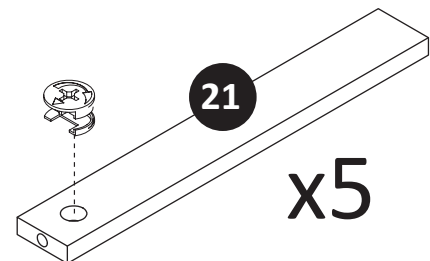
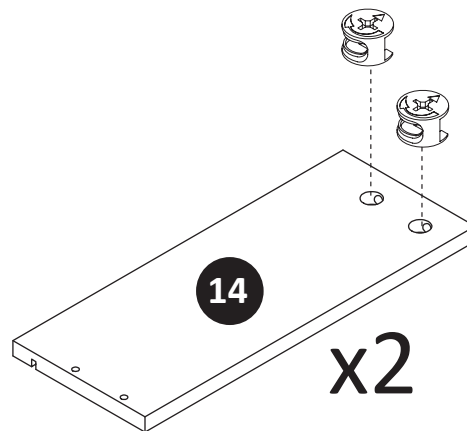
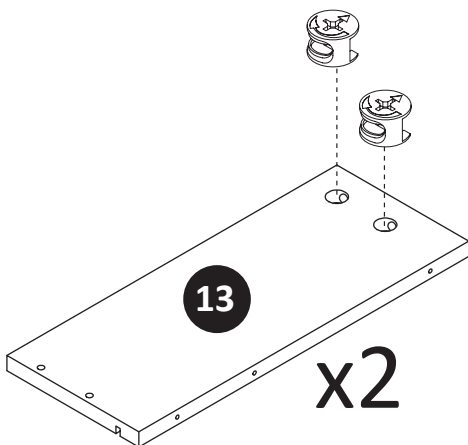


x25

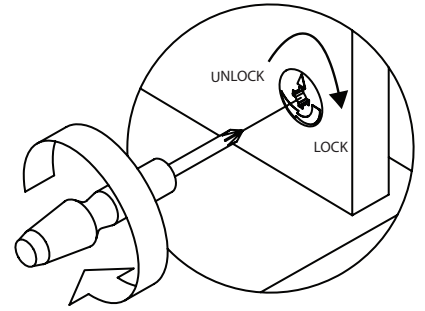
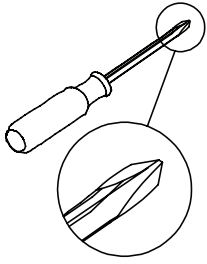


Proper orientation of CAM LOCK

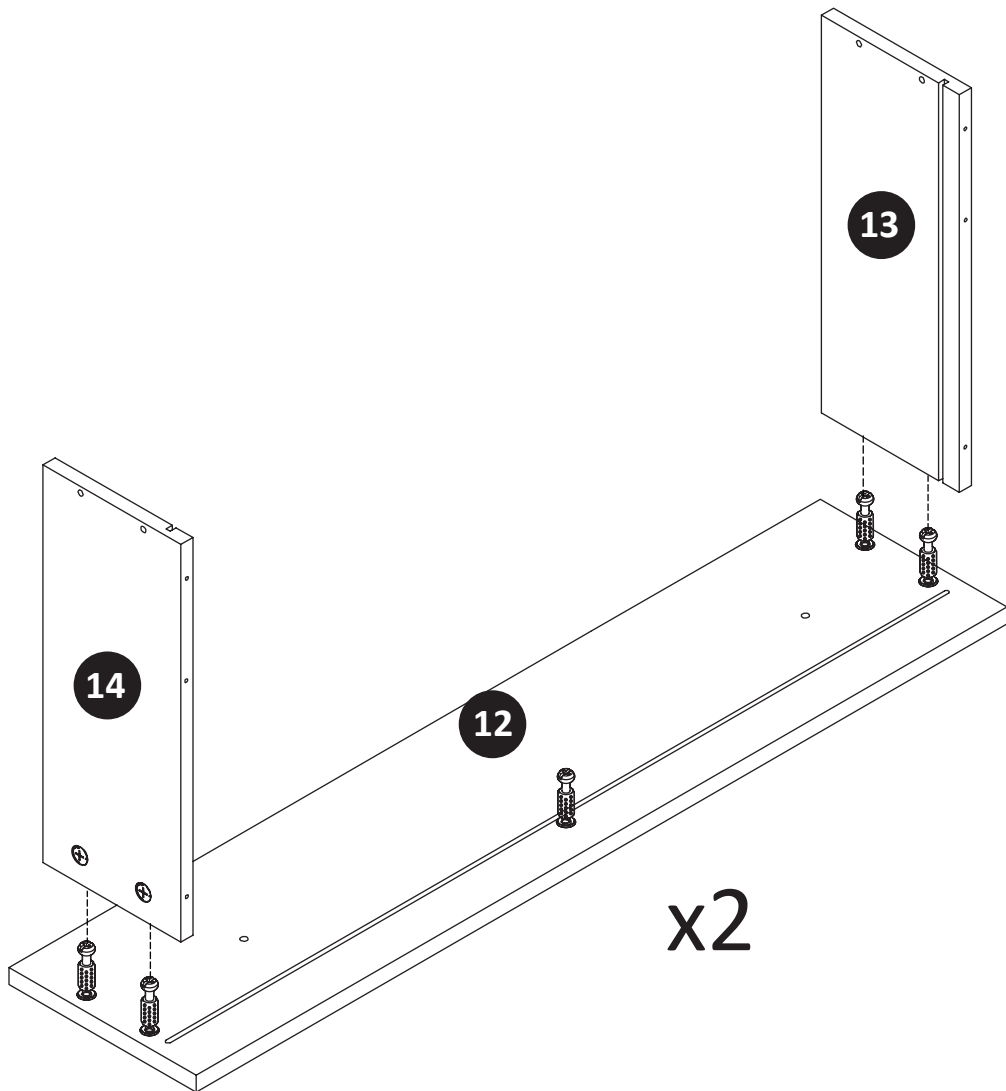
Insert Cam Locks (B) x 25 to Panel (13) x 2, Panel (14) x 2, Panel (17) x 3, Panel (18) x 3 and Panel (21) x 5.



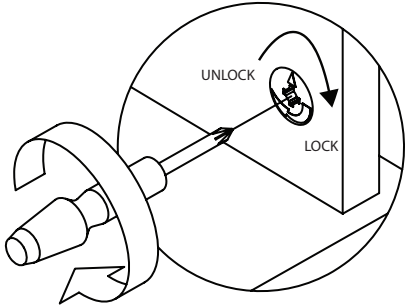
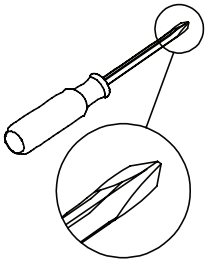
Step 17



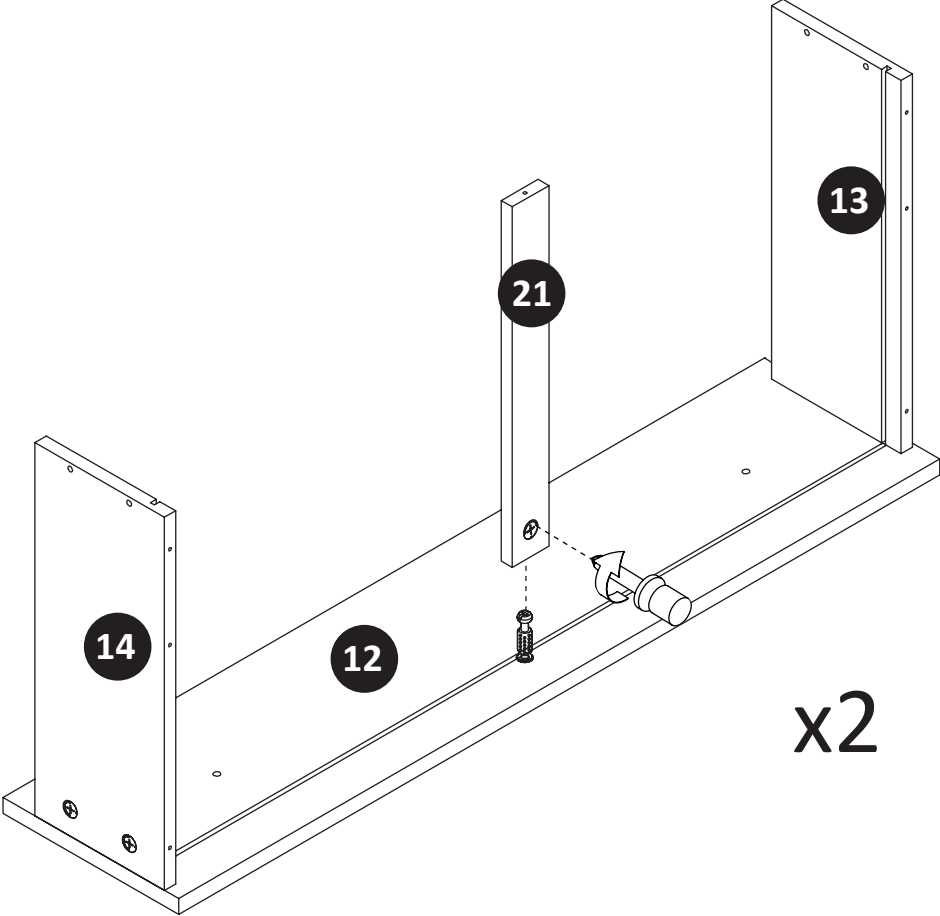
Attach Panel (13) and Panel (14) to the Panel (12), tighten the Cam Locks clockwise.



Step 18

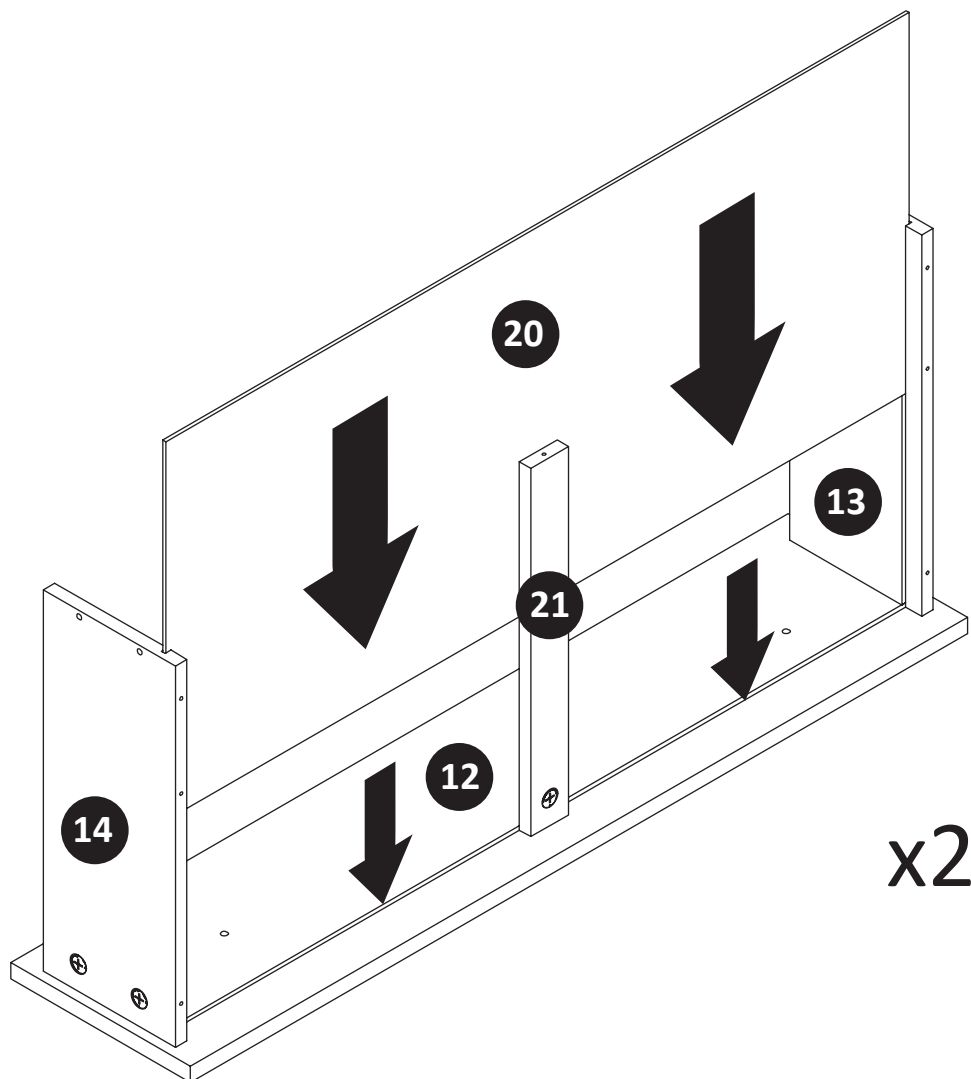


Attach Panel (21) to the Panel (12), tighten the Cam Locks clockwise.

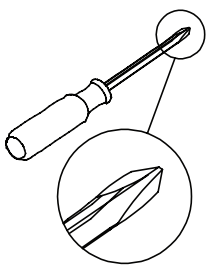


Step 19

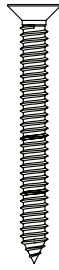
Insert Drawer Bottom (20) through the grooves of Panel (13) and (14) then slot into groove of Panel (12) as illustrated.



Step 20

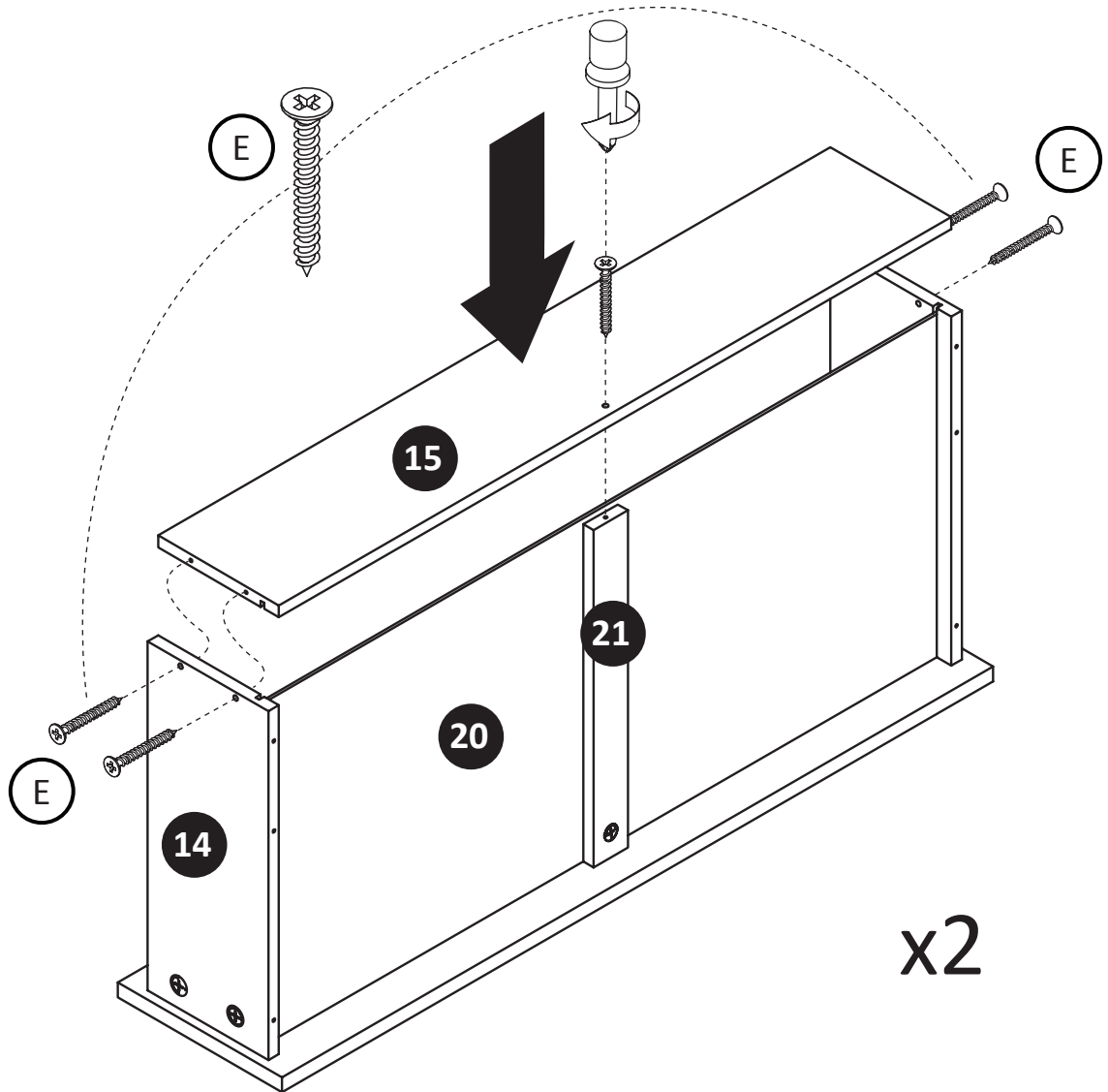


(E)

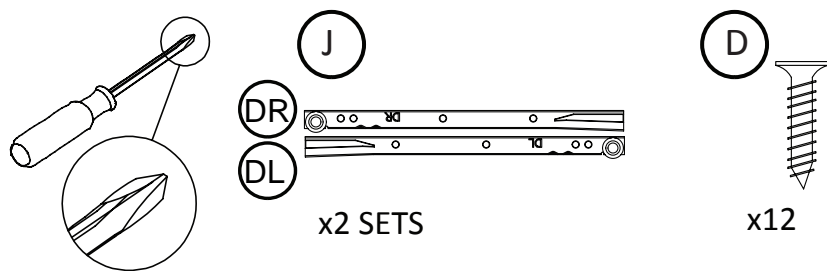


x10

Line up the groove of Panel (15) with Panel (20), secure with screws (E) x 5 as illustrated.

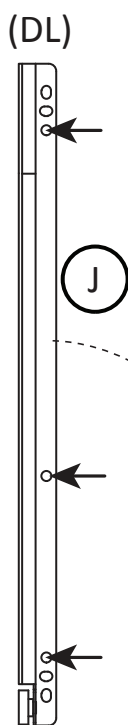


Step 21

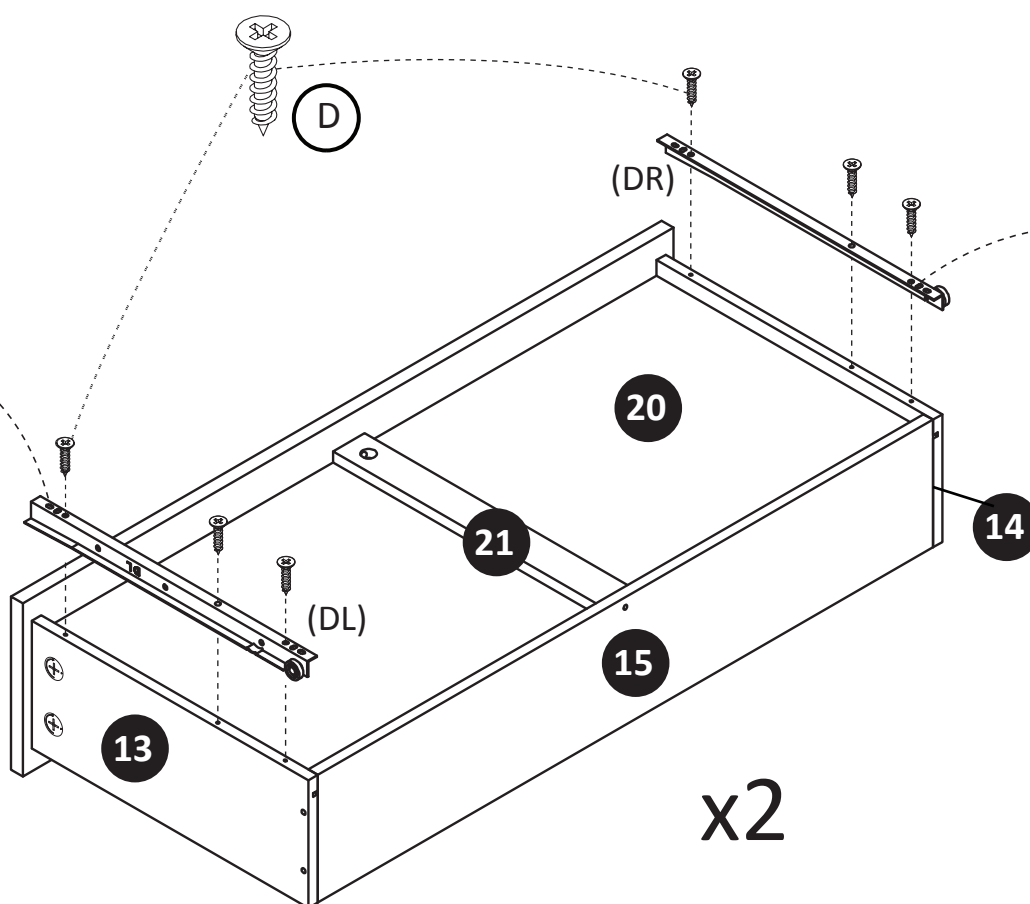
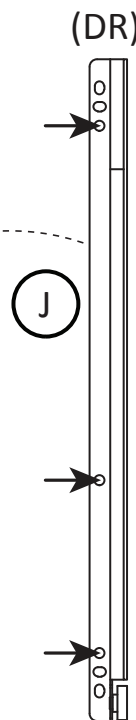


Attach Drawer Slide (J) DL to Panel (13), secure with Screws (D) x 3 as illustrated.
Attach Drawer slide (J) DR to Panel (14), secure with Screws (D) x 3 as illustrated.

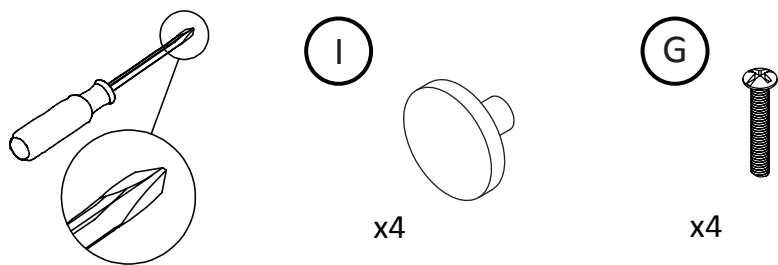
Use these holes :



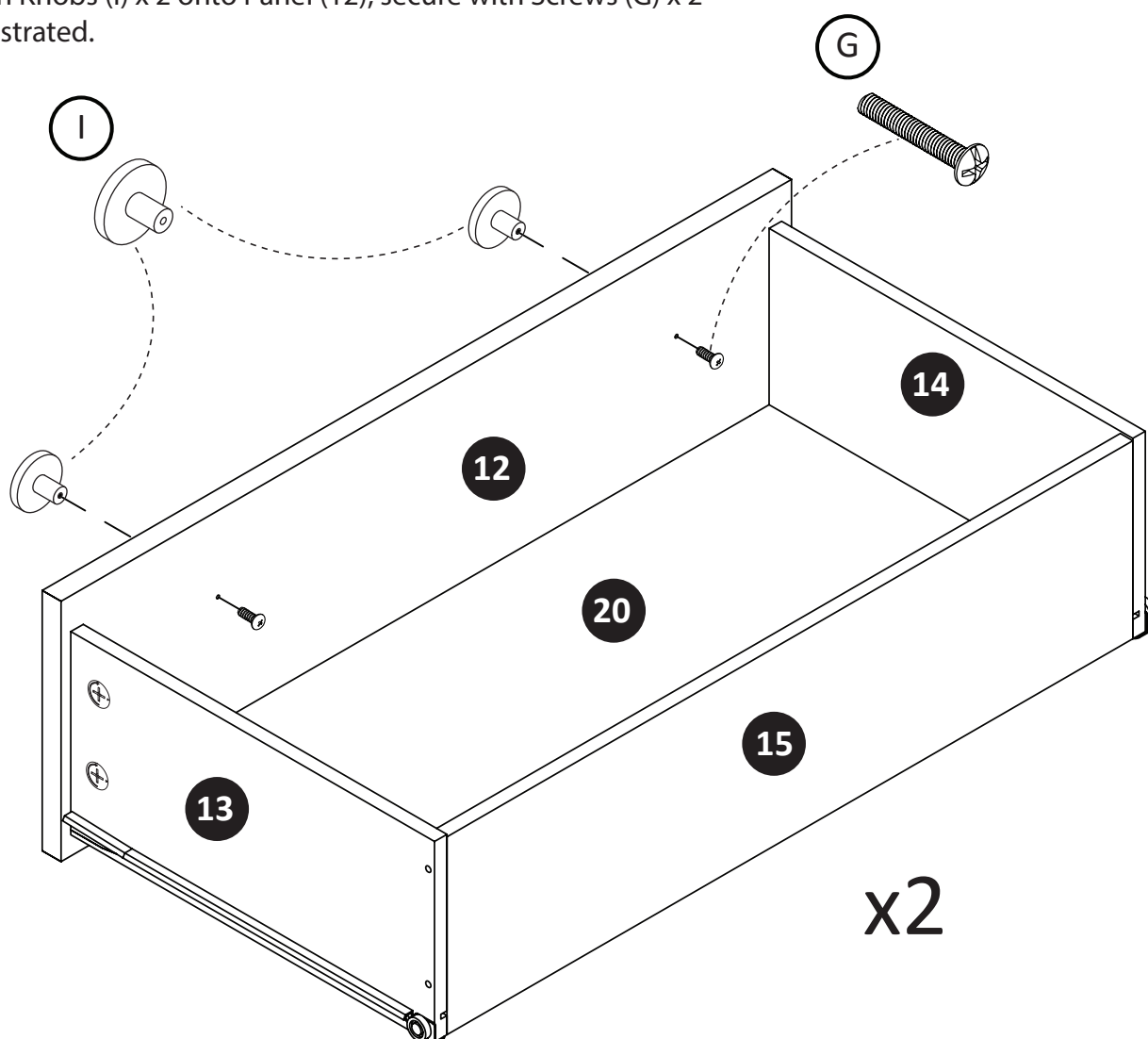
Use these holes :



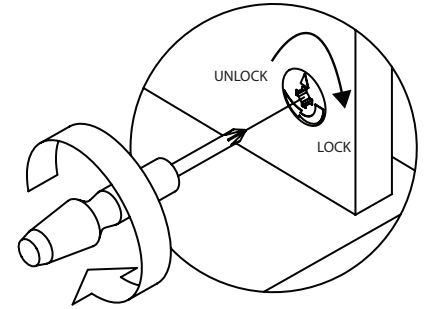
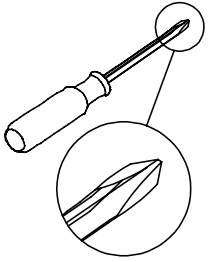
Step 22



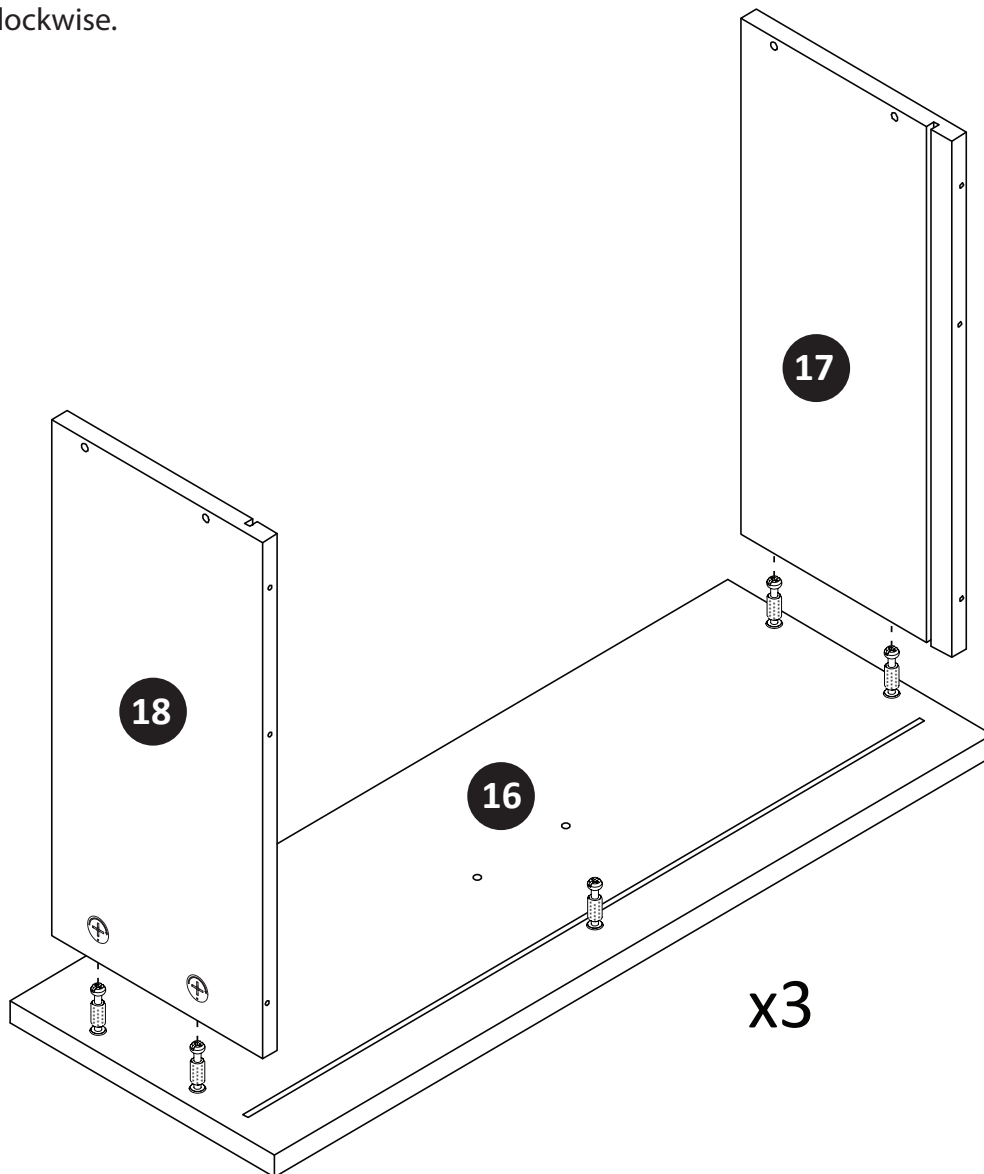
Attach Knobs (I) x 2 onto Panel (12), secure with Screws (G) x 2 as illustrated.



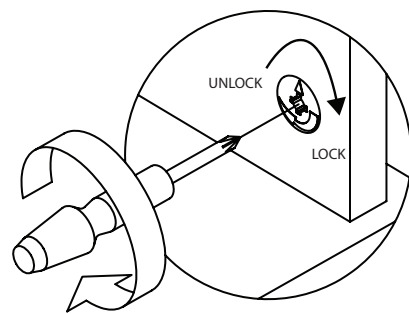
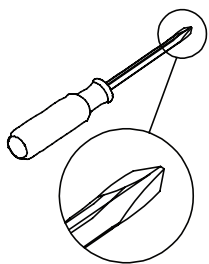
Step 23



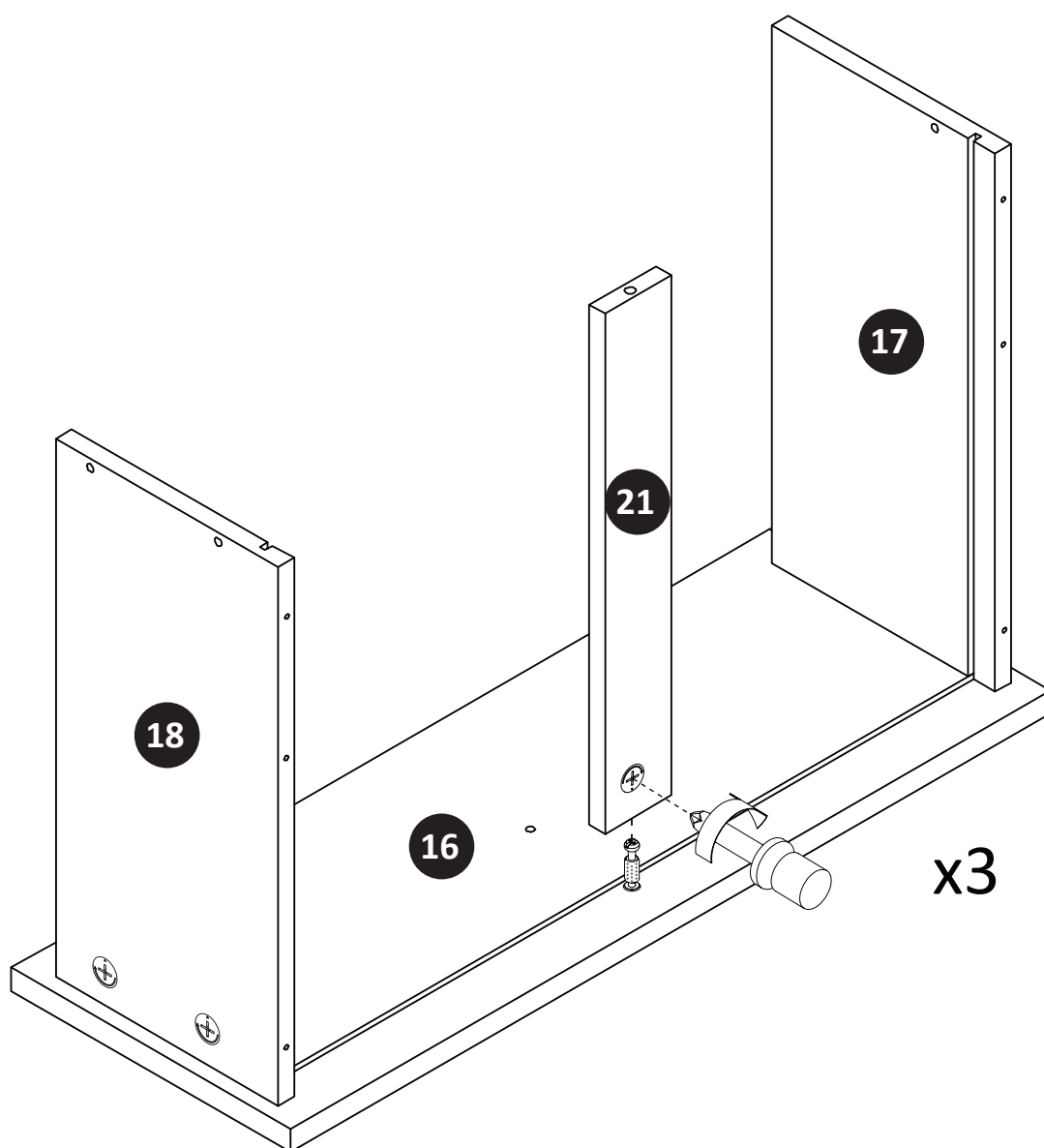
Attach Panel (17) and Panel (18) to the Panel (16), tighten the Cam Locks clockwise.



Step 24

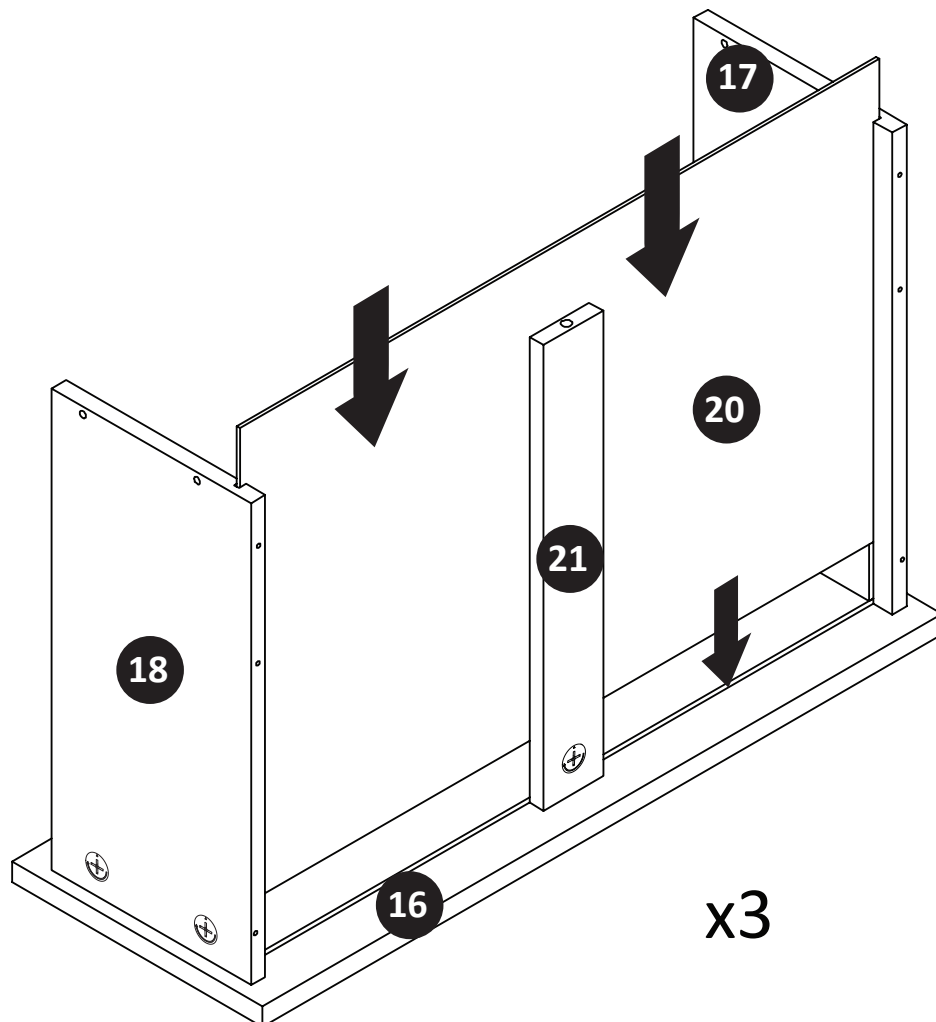


Attach Panel (21) to the Panel (16), tighten the Cam Locks clockwise.

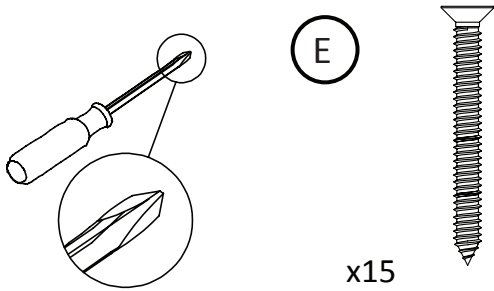


Step 25

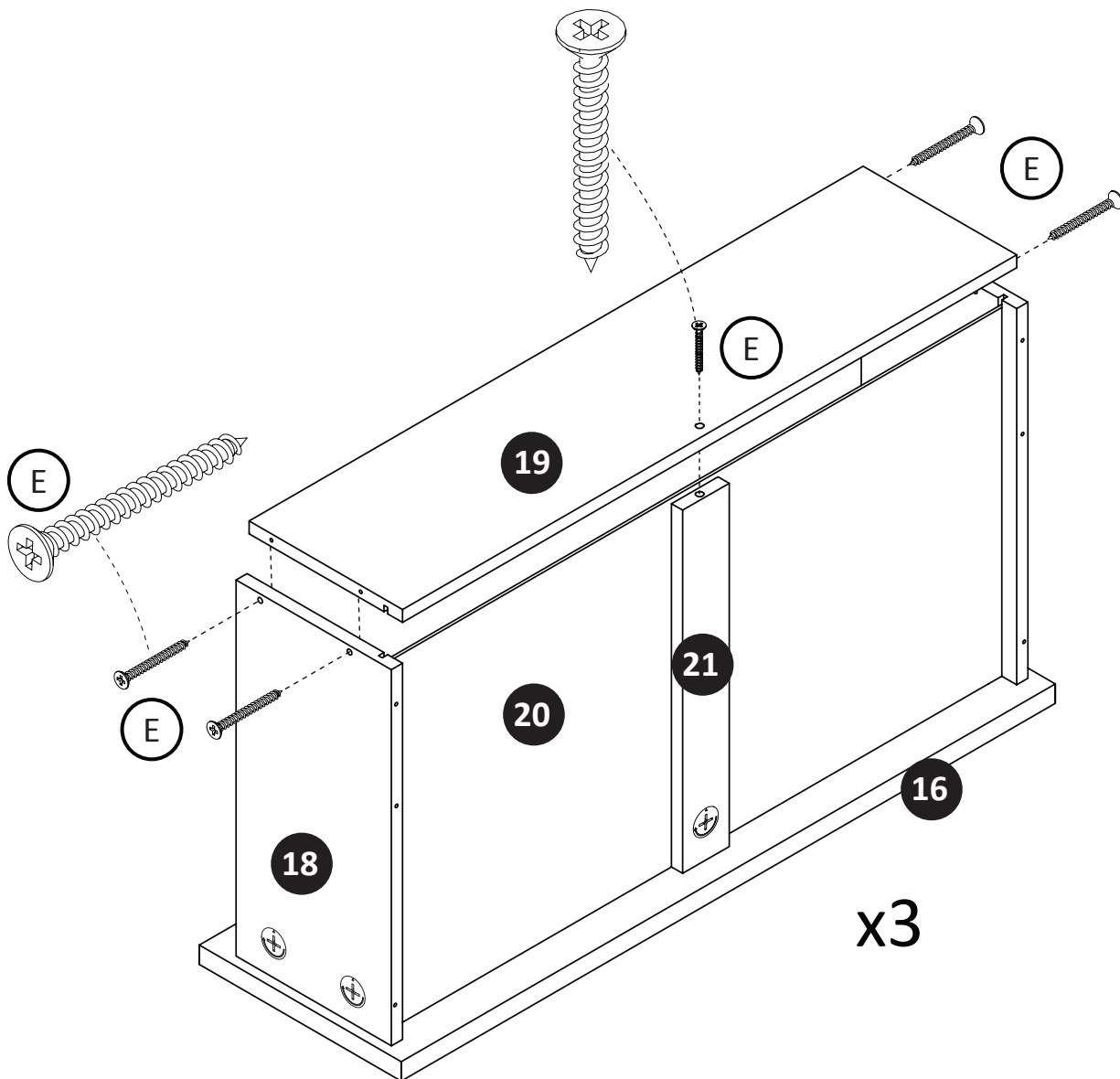
Insert Drawer Bottom (20) through the grooves of Panel (17) and (18) then slot into groove of Panel (16) as illustrated.



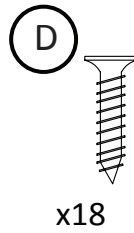
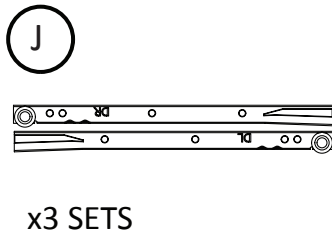
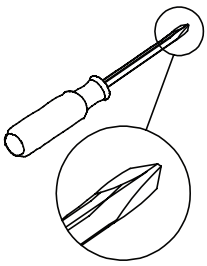
Step 26



Line up the groove of Panel (19) with Panel (20), secure with Screws (E) x 5 as illustrated.

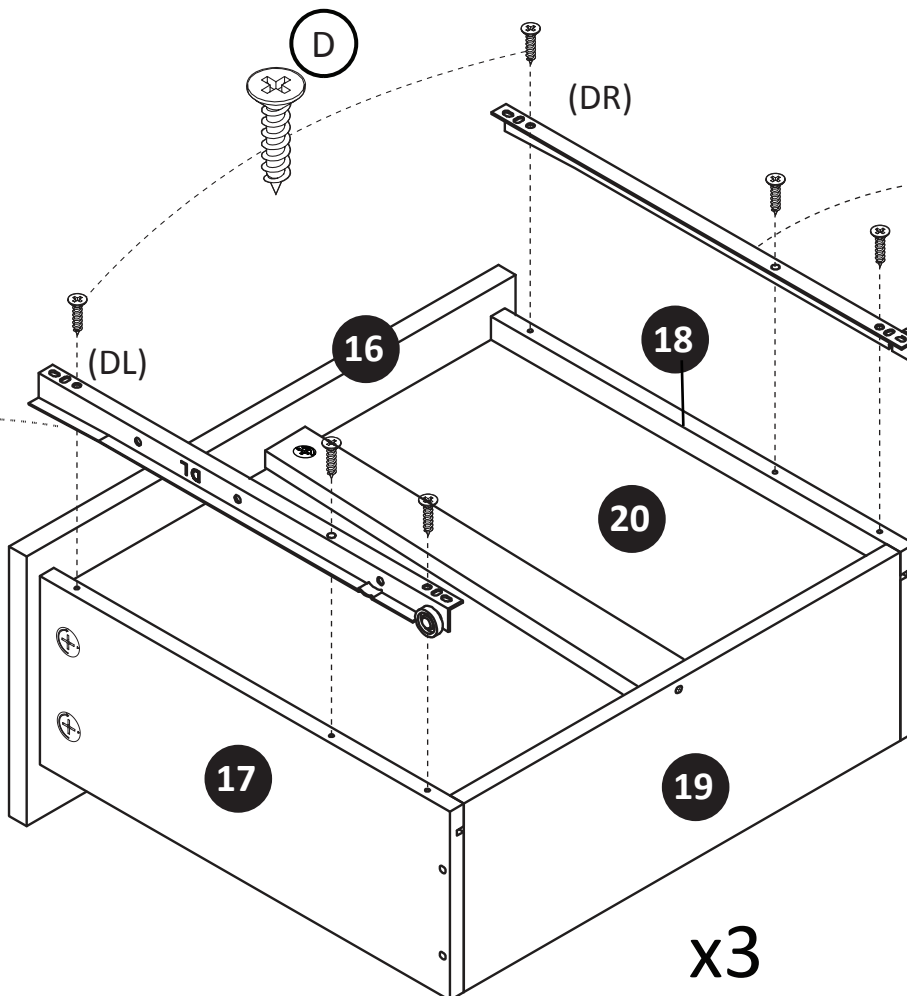
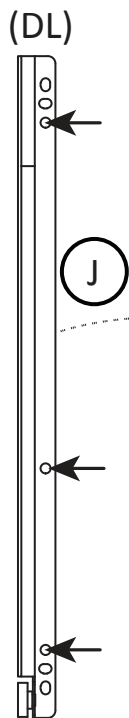


Step 27

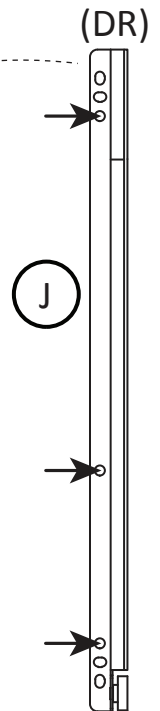


Attach Drawer Slide (J) DL to Panel (17), secure with Screws (D) x 3 as illustrated.
Attach Drawer Slide (J) DR to Panel (18), secure with Screws (D) x 3 as illustrated.

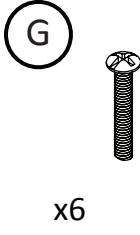
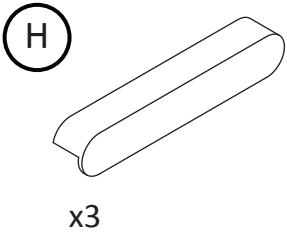
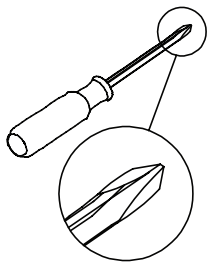
Use these holes :



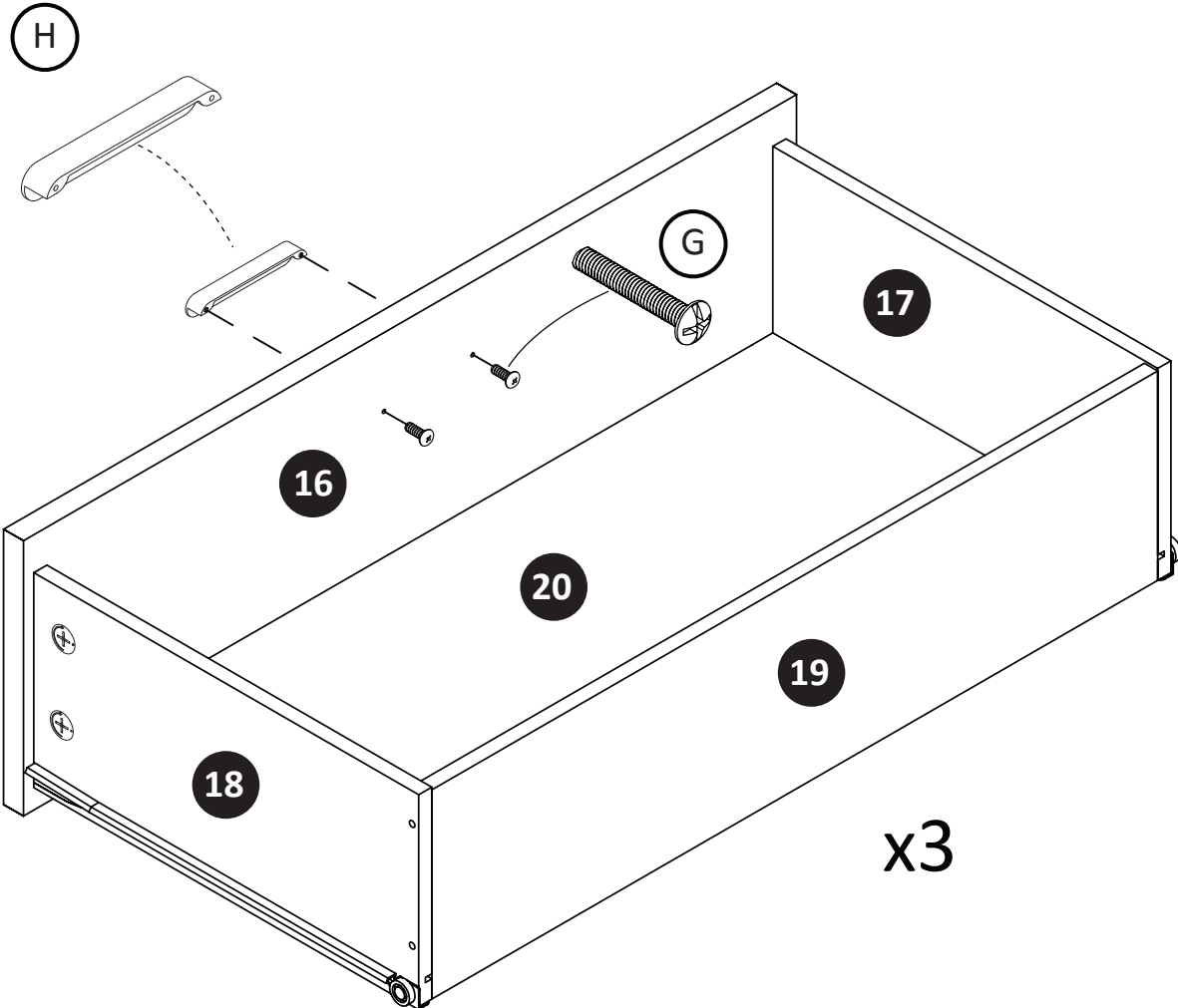
Use these holes :



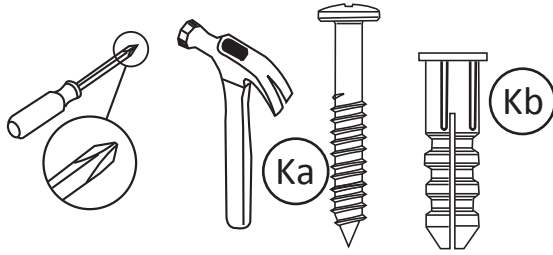
Step 28



Attach Handle (H) onto Panel (16), secure with Screws (G) x 2 as illustrated.



Step 29



For Masonry, Concrete, or other wall materials:
Consult your local hardware store for appropriate anchors to securely attach the safety bracket.

IMPORTANT: THIS UNIT MUST BE SECURE TO THE WALL TO HELP PREVENT TIPOVER. FOLLOW THESE INSTRUCTIONS TO INSTALL THE ANTI-TIPPING SAFETY BRACKET PROVIDED WITH THIS PRODUCT.

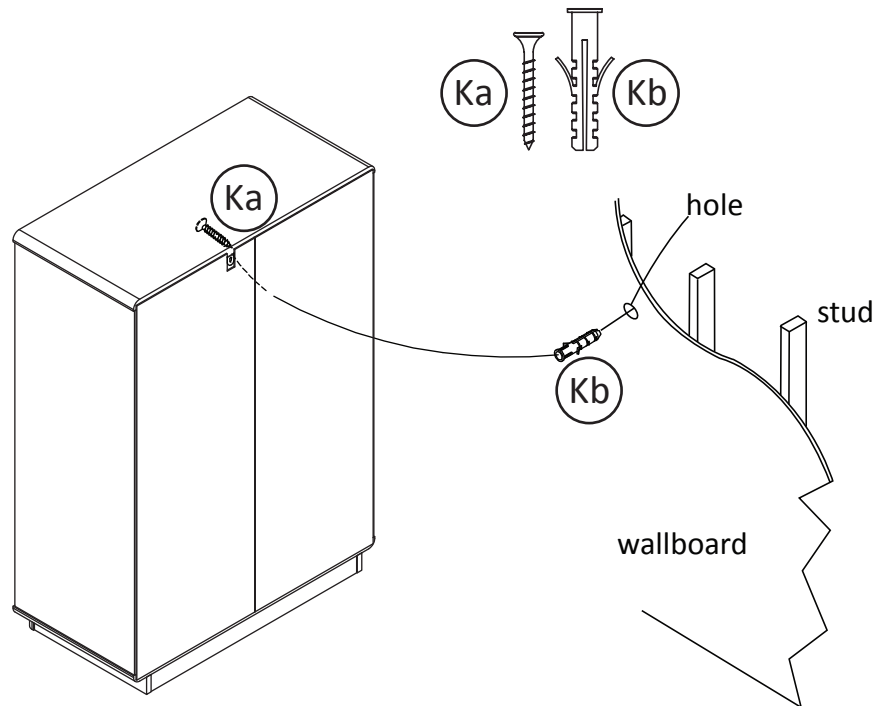
WARNING

Serious or fatal crushing injuries can occur from furniture tip over.

To prevent tip over:

- * Install tipover restraint provided
- * place heaviest items in the lowest drawers
- * Unless specifically designed to accommodate, do not set TVs or other heavy objects on the top of this product
- * Never allow children to climb or hang on drawers, door, or shelves
- * Never open more than one drawer at a time

Use of tip over restraints may only reduce, but not eliminate the risk of tip over



OPTION 1: Attachment into a wall stud (preferred method)

Using a stud finder, locate a stud in the wall. Place your unit against the wall, with the safety bracket aligned in this location.

To make driving the screw easier, you can drill a 1/8" diameter pilot hole (3mm) through the safety bracket into the stud.

Drive the screw through the safety bracket into the wall stud. Tighten the screw that was not fully tightened.

OPTION 2: Attachment into drywall

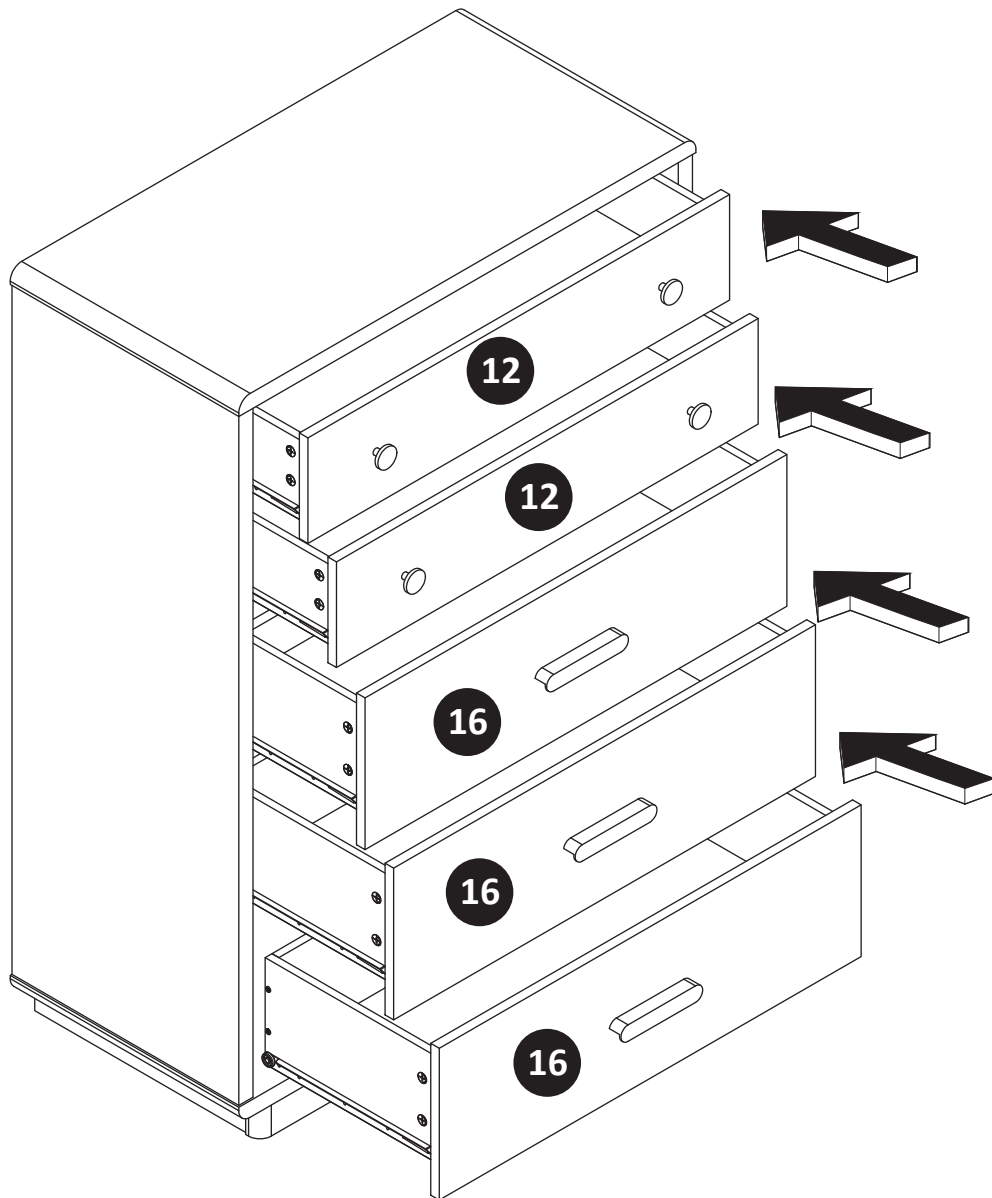
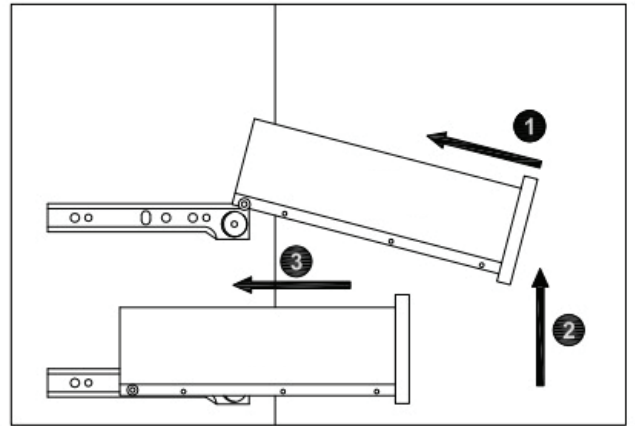
Position your unit where desired against a wall and mark the wall through the safety bracket, then move your unit aside.

Drill a 3/16" diameter hole (5mm) into the wallboard. Tap the wall anchor into the hole until it is flush. Move your unit into location and fasten the wall bracket to the wall anchor with the screw.

Tighten the screw that was not fully tightened.

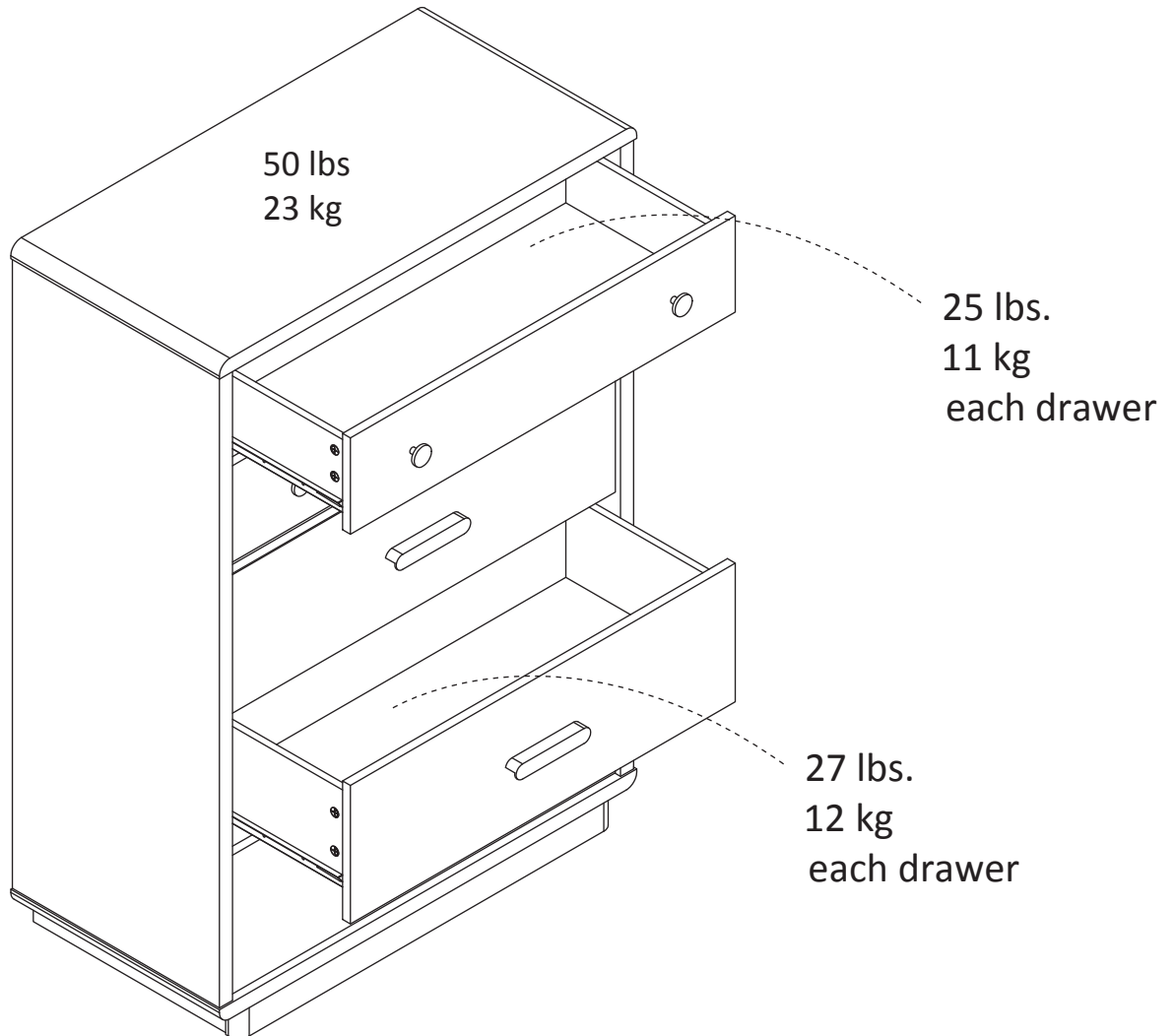
Step 30

Carefully insert Drawers into the unit as illustrated.



Maximum Loads

This unit has been designed to support the maximum loads shown. Exceeding these load limits could cause sagging, instability, product collapse, and/or serious injury.



Warning: Risk of serious injury to person - do not place a television on this furniture. This furniture is not approved for use with a television.

Certificate of Conformity

1. This certificate applies to Dorel Home Furnishings, Inc. product identified by this instruction manual.
2. This certificate applies to compliance of this product with the CPSC Ban on Lead-Containing Paint (16 CFR 1303).
3. This product is distributed by: Dorel Home Furnishings, Inc.
410 East First Street South,
Wright City, MO 63390
636-745-3351
4. Site of Manufacturer: Johor, Malaysia.
5. See front page of instruction manual for date of manufacturer.

Register your product to receive the following:



- * New trend details -sneak peek on what's new
- * Surveys -have a voice within our community
- * Exclusive deals and discount codes
- * Quick and easy replacement part service

To register your product, visit Ameriwoodhome.com

5 Star Rating



Visit your local retailer's website, rate your purchased product and leave us some feedback!

We would like to extend a big "Thank You" to all of our customers for taking the time to assemble this Ameriwood Home product, and to give us your valuable feedback

Thank You!

Español

Cubierta Delantera

Este libro de instrucciones contiene información **IMPORTANTE** de seguridad. Por favor lea y manténgalo para referencia en el futuro.

No Regrese este producto! Comuníquese con nuestro amistoso equipo de servicio al cliente para obtener ayuda.

Llámenos al: 1-800-489-3351 (Gratis)

Visitar: www.ameriwoodhome.com

PRECAUCION

Este mueble puede volcarse y causar graves heridas y/o muerte.

Anclar el mueble a un poste de madera en la pared (si esto se requiere).

No Permita que los niños monten el mueble.

Mantenga los artículos más pesados en los cajones de abajo.

Consejos Út les (página 2)

- Abra su artículo en el área donde usted planea utilizarlo para evitar levantar y moverlo menos
- Identificar, ordenar y contar las piezas antes de intentar ensamblar
- Las clavijas de compresión se golpean con un martillo
- Las diapositivas están marcadas con una R (derecha) y L (izquierda) para la colocación correcta
- Asegúrese de que siempre este el punto localizado en la parte superior de bloqueador de leva este volteado hacia borde exterior
- Utilizar todos los clavos para el panel de atrás y distribuirlos por igual
- El panel de atrás debe utilizarse para asegurarse de que la unidad quede fija y firme
- No use químicas fuertes ni limpiadores abrasivos en este artículo
- Nunca empuje, tire ni arrastre los muebles

Antes de Que Empieces (página 3)

- Lea cuidadosamente cada paso y siga el orden correcto
- Separar y contar todas sus piezas y hardware
- Dése suficiente espacio para el proceso de ensamble
- Tenga las siguientes herramientas: destornillador de cabeza plana, #2 cabeza Phillips
Destornillador y martillo
- Precaución: Si usa un taladro electrónico o un destornillador eléctrico para atornillar, por favor asegúrese que deje de atornillar cuando el tornillo este apretado. Fallar hacer esto puede causar barrer el tornillo

Sistema de fijar el bloqueo de leva (página 3)

Esta sistema de fijar el bloqueo de leva sera usado en todo el proceso ensamble

Observación (página 4)

Observación: es posible que necesite tapar ligeramente las palancas de madera con un martillo en los agujeros durante su proceso de montaje.

Identificación de la Junta (página 5&6)

Tamaño no real

Lista de (página 7)

Tamaño real

Lista de (página 8)

Tamaño no real

Página 9

Paso 1 - Añadir Leg(K) x4 al panel inferior(D). Inserte JCBC(7) x8, lavavajillas(8) x8, y lavabajillas planas(9) x8 en el panel inferior(D) usando la tecla hexagonal(10).

Página 10

Paso 2 - Inserte correctamente Cam Bolt(1) x16 en el panel superior(A), panel inferior(D), caja delante(H) x4, y caja de atrás(I) x4 y apriete completamente.

Español

Página 11

Paso 3 - Inserte el Bolt(1) x4, el Lock(2) x8, el Dowel(3) x12 en el panel lateral(B) y (C) y el panel de moldeo(E) x2. Inserte el kit de anti-tipping(12) y (12c) en el panel lateral derecho(C), no apriete completamente hasta el paso 17.

Página 12

Paso 4 - Inserte Cam Lock(2) x12 en el panel de contrapeso(N) y el soporte de la caja(L) x4.

Página 13

Paso 5 - Utilice el tornillo(4) x6 para unir el panel de moldeo(E) x2 al panel superior(A) y al panel inferior(D).

Página 14

Paso 6 - Añadir el panel de contrapeso(N) al panel lateral izquierdo(B), apriete el bloqueo de la cámara.

Página 15

Paso 7 - Añadir el panel lateral derecho (C) al panel de contrapeso (N), apriete el bloqueo de la cámara.

Página 16

Paso 8 - Añadir el panel inferior (D) al tablero (B) y (C), apriete todo el bloqueo de la cámara.

Página 17

Paso 9 - Añadir el panel superior (A) al tablero (B) y (C), apriete todo el bloqueo de la cámara.

Página 18

IMPORTANTE! EL PANEL TRASERO ES UNA PARTE ESTRUCTURAL DE ESTA UNIDAD Y DEBE INSTALARSE CORRECTAMENTE.

Sujeta el panel trasero como se muestra clavando directamente en los bordes sin procesar.

Asegúrese de que la unidad es cuadrada.

La distancia de la esquina a la esquina debe ser igual a como se muestra.

Borda del panel (M) con el panel superior (A). El borde del panel (M) con la placa (B) y (C)

Página 19

Paso 11 - Utilice parafuso(4) x8 para unir el lado izquierdo de la caja(G) x4 a la parte delantera(H) x4.

Página 20

Paso 12 - Utilice parafuso(4) x8 para conectar el lado derecho de la caja(F) x4 a la parte delantera(H) x4.

Página 21

Paso 13 - Añadir el soporte de la caja (L) a la parte delantera (H) x4, apretar el bloqueo de la cámara.

Página 22

Paso 14 - Inserte la tabla (J) en la correa de (F) y (G) y alinear en la (H).

Página 23

Paso 15 - Añadir la caja (I) de vuelta a la tabla (L), apriete el bloqueo de la cámara. Luego, utilice el tornillo(4) x16 para asegurar el tablero (F) y (G) a la caja de atrás(I).

Página 24

Paso 16 - Utilice parafuso(5) x8 para conectar la palanca(11) x4 a la parte delantera de la caja(H) x4.

Página 25

Para mampostería, hormigón u otros materiales de pared:

Consulte en su ferretería local los anclajes apropiados para sujetar de forma segura el soporte de seguridad.

IMPORTANTE: ESTA UNIDAD DEBE ESTAR SEGURA EN LA PARED PARA AYUDAR A PREVENIR AL TIPOVER.

SIGA ESTAS INSTRUCCIONES PARA INSTALAR EL SOPORTE DE SEGURIDAD ANTIDISCIPLINADOR

PROPORCIONADO CON ESTE PRODUCTO.

Español

ADVERTENCIA

Lesiones por aplastamiento graves o fatales puede ocurrir desde la punta del mueble. Para evitar volcar:

- * Instale la restricción de vuelco provista
- * coloque los artículos más pesados en los cajones más bajos
- * A menos que esté específicamente diseñado para acomodar, no instale televisores u otros objetos pesados en la parte superior de este producto
- * Nunca permita que los niños trepen o cuelguen de los cajones, puertas o estanterías
- * Nunca abra más de un cajón a la vez

El uso de restricciones sobre volteos solo puede reducir, pero no eliminar, el riesgo de vuelco

OPCIÓN 1: Adjunto a un montante de pared (método preferido)

Usando un buscador de pernos, ubique un perno en la pared. Coloque su unidad contra la pared, con el soporte de seguridad alineado en esta ubicación.

Para facilitar el manejo del tornillo, puede perforar un orificio piloto de 1/8 "de diámetro (3 mm) a través de la seguridad soporte en el perno.

Introduzca el tornillo a través del soporte de seguridad en el montante de la pared. Apretar el tornillo que no estaba completamente

Tightened.

OPCIÓN 2: fijación al panel de yeso

Ubique su unidad donde desee contra una pared y marque la pared a través del soporte de seguridad, luego mueve tu unidad a un lado.

Taladre un orificio de 3/16 "de diámetro (5 mm) en el tablero. Toque el anclaje de pared en el orificio hasta que quede al ras.

Mueva su unidad a su ubicación y ajuste el soporte de pared al anclaje de pared con el tornillo.

Apriete el tornillo que no estaba completamente apretado.

Página 27

ETIQUETA DE PRECAUCIÓN

CARGA MAXIMA

Esta unidad ha sido diseñada para soportar la carga máxima anotada. El exceder estos límites puede causar inestabilidad, colapsarse y/o causar serias lesiones.

Advertencia: asegúrese de quitar todos los objetos antes de mover la unidad ensamblada. La unidad debe ser levantada por más de una persona, no arrastrada o empujada. No hacerlo así lo hará causar daño al producto, inestabilidad, colapso del producto y / o lesiones graves.

Página 28

Registre su producto para recibir lo siguiente:

- * Nuevos detalles sobre las tendencias - Sneek echa un vistazo a lo nuevo
- * Encuestas - tener una voz dentro de nuestra comunidad
- * Ofertas exclusivas y códigos de descuento
- Servicio de piezas de repuesto rápido y fácil

Para registrar su producto, visite Ameriwoodhome.com

5 estrellas

Visite el sitio web de su distribuidor local, califique su producto comprado y déjenos algunos comentarios!

Nos gustaría extender un gran "Gracias" a todos nuestros clientes por tomarse el tiempo para montar este producto Ameriwood Home, y para darnos sus valiosos comentarios

Gracias!

Français

capot avant

Ce livret d'instructions contient d'importantes informations de sécurité. S'il vous plaît lire et conserver pour référence ultérieure.

Ne pas retourner ce produit! Contactez notre équipe de service à la clientèle amical pour aider.

Appel: 1-800-489-3351 (gratuit)

Visite: www.ameriwoodhome.com

MISE EN GARDE

Ce mobilier peut basculer et causer des blessures graves et / ou la mort.

Ancrer les meubles à un poteau en bois sur le mur (si cela est nécessaire).

Ne laissez pas les enfants monter l'armoire.

Gardez les articles plus lourds dans les tiroirs ci-dessous.

Conseil (page 2)

- Ouvrez votre article dans la zone où vous prévoyez de l'utiliser pour éviter de soulever et déplacer moins
- Identifier, trier et compter les pièces avant de monter
- bouchons de compression sont frappés avec un marteau
- Les lames sont marqués par un R (droite) et L (à gauche) pour le positionnement correct
- Assurez-vous toujours ce point, je Aviana sur le dessus de la came de blocage ce bord extérieur volteadohacia
- Utilisez tous les clous du panneau arrière et les distribuer également
- Le panneau arrière doit être utilisé pour faire en sorte que l'unité est fixe et ferme
- Ne pas utiliser de produits chimiques ou de produits abrasifs sur cet article
- Ne jamais pousser, tirer ou meubles de glisser

Avant de commencer (page 3)

- Lire attentivement chaque étape et suivre l'ordre
- separate et compter toutes les pièces et matériel
- Dése un espace suffisant pour le processus d'assemblage
- Soyez les outils suivants: tournevis Phillips n ° 2 tête
Tournevis et un marteau
- Precaución: Si vous utilisez une perceuse électronique ou un tournevis électrique à vis, s'il vous plaît faire arrêter le vissage lorsque le tonillos ce serré. Le non-respect cela peut provoquer balayer la vis

Système de régler le verrou de came (page 3)

Ce système de fixation du verrou de came sera utilisé tout au long du processus d'assemblage

Observat on (page 4)

Remarque : il est possible que vous ayez besoin de couvrir légèrement les poignées en bois avec un marteau dans les trous pendant le processus de montage.

Identf cat on du Conseil (page 5 & 6)

Taille non réelle

Liste des (page 7)

Taille réelle

Liste des (page 8)

Taille non réelle

Page 9 Étape 1 - Ajouter Leg(K) x4 au panneau inférieur(D).Insérez JCBC(7) x8, lavabo(8) x8, et lave-vaisselle plate(9) x8 dans le panneau inférieur(D) en utilisant la touche hexagonale(10).

Page 10 Étape 2 - Insérez correctement le Cam Bolt(1) x16 dans le panneau supérieur(A), le panel inférieur(D), la boîte avant(H) x4, et le boîtier arrière(I) x4 et serrez complètement.

Français

Page 11

Étape 3 - Insérez le Bolt(1) x4, le Lock(2) x8, le Dowel(3) x12 dans le panneau latéral(B) et (C) et le panel de moulage(E) x2. Insérez le kit anti-tipping(12) et (12c) dans le panneau latéral droit(C), ne pas serrer complètement jusqu'à l'étape 17.

Page 12

Étape 4 - Insérez Cam Lock(2) x12 dans le panneau de contrepoids(N) et le support de la boîte(L) x4.

Page 13

Étape 5 - Utilisez le vis(4) x6 pour joindre le panneau de moulage(E) x2 au panneaux supérieur(A) et inférieur(D).

Page 14

Étape 6 - Ajoutez le panneau de contrepoids(N) au panel latéral gauche(B), serrez le verrou de l'appareil photo.

Page 15

Étape 7 - Ajouter le panneau latéral droit (C) au tableau de contrepoids (N), serrez le verrouillage de la caméra.

Page 16

Étape 8 - Ajouter le panneau inférieur (D) au tableau de bord (B) et (C), fermez tout le verrou de l'appareil photo.

Page 17

Étape 9 - Ajouter le panneau supérieur (A) au tableau de bord (B) et (C), fermez tout le verrou de l'appareil photo.

Page 18

Important! Le panneau arrière est une partie structurelle de cette unité et doit être correctement installé. Soulevez le panneau arrière comme indiqué en appuyant directement sur les bords sans traiter. Assurez-vous que l'unité est carrée. La distance de l'angle au coin doit être égale à celle indiquée.

Bord du panneau (M) avec le panel supérieur (A). Le bord du panneau (M) avec la plaque (B) et (C)

Page 19

Étape 11 - Utilisez le vis(4) x8 pour joindre le côté gauche de la boîte(G) x4 à l'avant(H) x4.

Page 20

Étape 12 - Utilisez le vis(4) x8 pour connecter le côté droit de la boîte(F) x4 à l'avant(H) x4.

Page 21

Étape 13 - Ajouter le support de la boîte (L) à l'avant (H) x4, serrez le verrou de l'appareil photo.

Page 22

Étape 14 - Insérez la table (J) sur la ceinture de (F) et (G) et alignez sur la (H).

Page 23

Étape 15 - Ajouter la case (I) à la table (L), serrez le verrouillage de l'appareil photo. Utilisez ensuite le vis(4) x16 pour fixer le panneau (F) et (G) à la boîte arrière(I).

Page 24

Étape 16 - Utilisez un vis(5) x8 pour connecter le levier(11) x4 à l'avant de la boîte(H) x4.

Page 25

Pour la maçonnerie, le béton ou d'autres matériaux de mur:

Consultez chez votre ferreterie locale les ancrages appropriés pour fixer en toute sécurité le support de sécurité.

IMPORTANT : Cette unité doit être sécurisée sur le mur pour aider à prévenir le typhus.

Suivez ces instructions pour installer le support de sécurité anti-disciplinant fourni avec ce produit.

Français

Avertissement

Des lésions graves ou fatales par écrasement peuvent survenir à partir de la pointe du meuble.

Pour éviter de se retourner :

- * Installez la restriction de retournement fournie
- * Placez les objets les plus lourds dans les boîtes inférieures
- * Sauf si elle est spécifiquement conçue pour accueillir, n'installez pas de téléviseurs ou d'autres objets lourds dans la partie supérieure de ce produit
- * Ne laissez jamais les enfants grimper ou pendre sur les tiroirs, portes ou étagères
- * N'ouvrez jamais plus d'un tiroir à la fois

L'utilisation de restrictions sur les virages ne peut que réduire, mais pas éliminer, le risque de virage

OPTION 1: Ajouter à un montage mural (méthode préférée) En utilisant un moteur de recherche de pin, placez un pin sur le mur. Placez votre unité contre le mur, avec le support de sécurité aligné à cet endroit.

Pour faciliter la manutention du vis, vous pouvez percer un orifice pilote de 1/8 "de diamètre (3 mm) à travers le support de sécurité sur le bâton.

Insérez le vis à travers le support de sécurité sur le montant du mur. Appuyez sur le vis qui n'était pas complètement tightened.

OPTION 2: fixation au panneau de plâtre

Placez votre unité où vous le souhaitez contre un mur et marquez le mur à travers le support de sécurité, puis déplacez l'unité de côté.

Coupez un trou de 3/16 "de diamètre (5 mm) sur le tableau. Touchez l'ancrage mural dans le trou jusqu'à ce qu'il reste au ras. Déplacez votre unité à son emplacement et ajustez le support mural à l'ancrage mural avec le vis.

Ouvrez la boucle qui n'était pas complètement serrée.

Page 27

Étiquette de précaution

charge maximale

Cette unité a été conçue pour supporter la charge maximale annoncée. Le dépassement de ces limites peut entraîner une instabilité, un effondrement et/ou des blessures graves.

Avertissement : Assurez-vous de retirer tous les objets avant de déplacer l'unité assemblée. L'unité doit être soulevée par plus d'une personne, non traînée ou poussée. Ne pas le faire entraînera des dommages au produit, une instabilité, un effondrement du produit et / ou des blessures graves.

Page 28

Enregistrez votre produit pour recevoir ce qui suit :

- * Nouveaux détails sur les tendances - Sneek regarde les nouveautés
- * Enquêtes - avoir une voix au sein de notre communauté
- * Offres exclusives et codes de réduction

Service de pièces de rechange rapide et facile

Pour enregistrer votre produit, visitez Ameriwoodhome.com

5 étoiles

Visitez le site Web de votre distributeur local, évaluez votre produit acheté et laissez-nous quelques commentaires!

Nous aimerions adresser un grand « Merci » à tous nos clients pour avoir pris le temps de monter ce produit Ameriwood Home, et pour nous donner leurs précieux commentaires

Merci à!



THANK YOU for your business.



Your feedback and 5-star review is important to us!



If you are happy with this product, please review on the site you purchased it from.



If your product has issues, please contact us so that we can fix them.

Please note, we do not have control over how shipping carriers treat our products and could cause damage to your order. If your product is damaged, please contact us for help.

1-800-489-3351 • Customer.service@dorel.com

