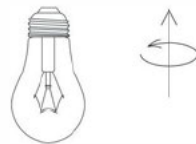
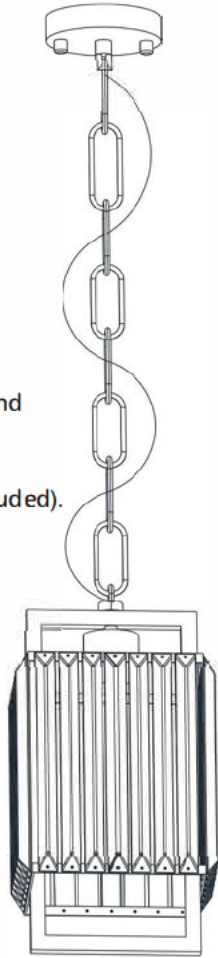


8 Install E26 Light Bulb(Not Included)



Note: This lamp uses E26 bulb base and can only be used in conjunction with LED bulbs up to 40W. Fully dimmable when used with dimmable bulbs and compatible dimming switches(not included).

Your installation is now complete! Restore electricity and save this sheet for future reference.

⚠ WARNINGS AND CAUTIONS

READ AND SAVE THESE INSTRUCTIONS

Please read and understand this entire manual before attempting to assemble, install or operate the product.

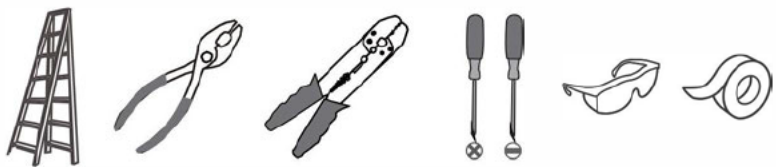
WARNING

- RISK OF ELECTRIC SHOCK - Before beginning installation, turn off electricity at the circuit breaker box or the main fuse box.
- RISK OF FIRE - Use bulbs specified by the markings and/or labels on the fixture.

CAUTION

- For your safety, read instructions completely before beginning installation.
- If in doubt about electrical installation, consult a licensed electrician.
- Turn off electricity to fixture before replacing the bulb(s).

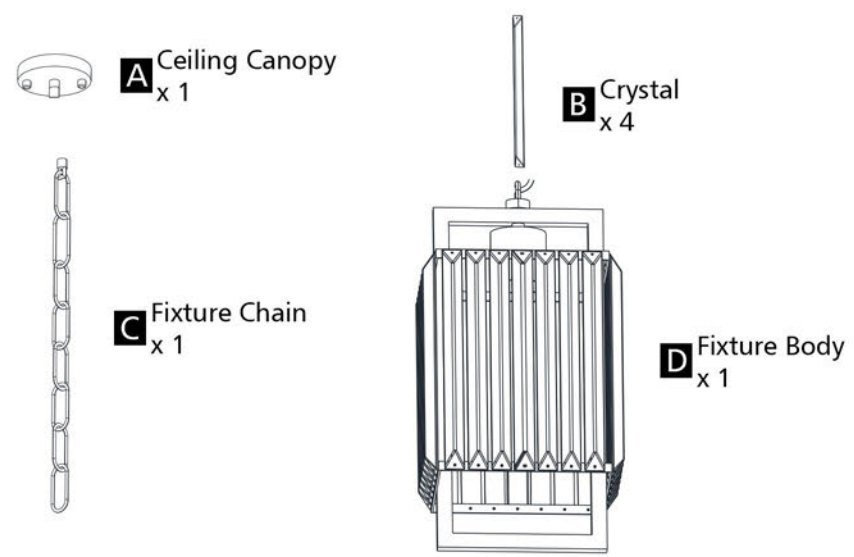
TOOLS REQUIRED



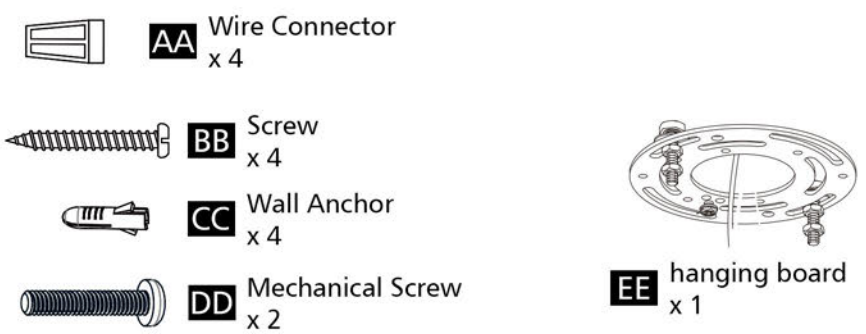
CARE AND MAINTENANCE

- Wipe clean using soft, dry cloth or static duster. Always avoid using harsh chemicals and abrasives to clean fixture as they may damage the finish.

PACKAGE CONTENTS



PACKAGE CONTENTS (PARTS BAG 1)



PACKAGE CONTENTS (PARTS BAG 2)

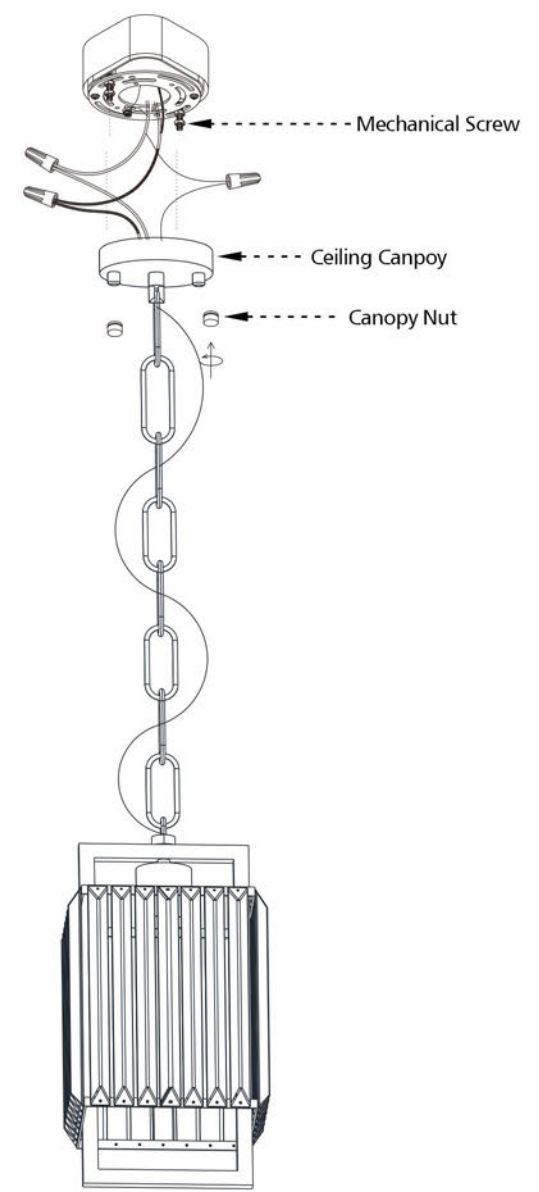


PACKAGE CONTENTS (PARTS BAG 3)



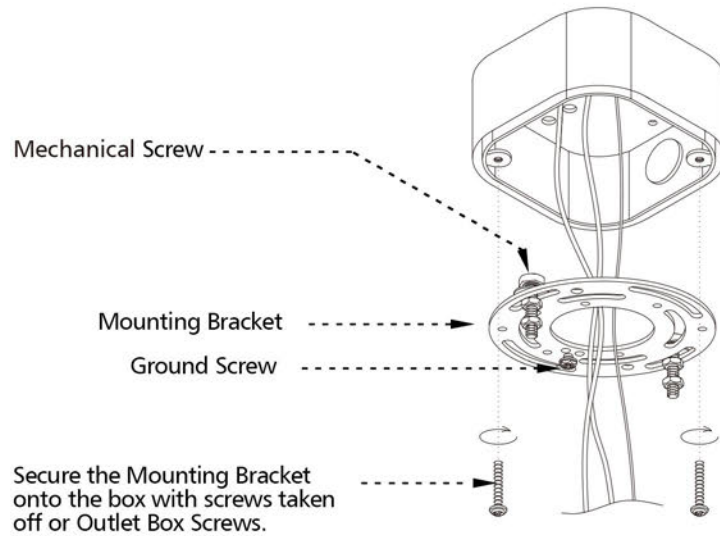
INSTALLATION

7 Fix the ceiling canopy to the mounting bracket with the nut

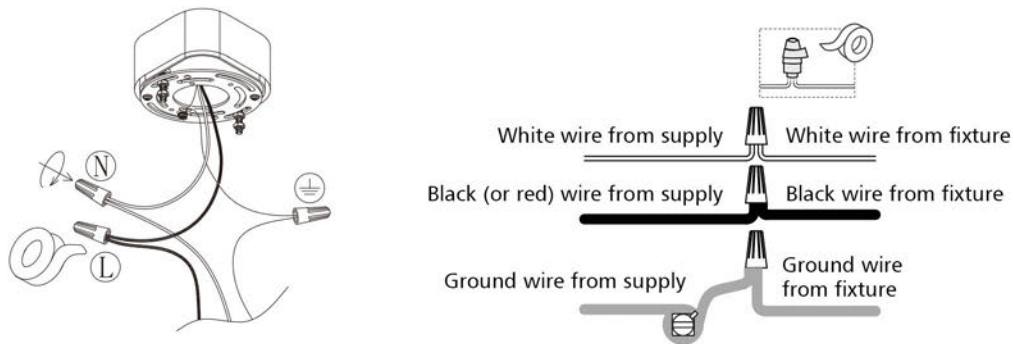


INSTALLATION

5 Install the Mounting Bracket



6 Wiring

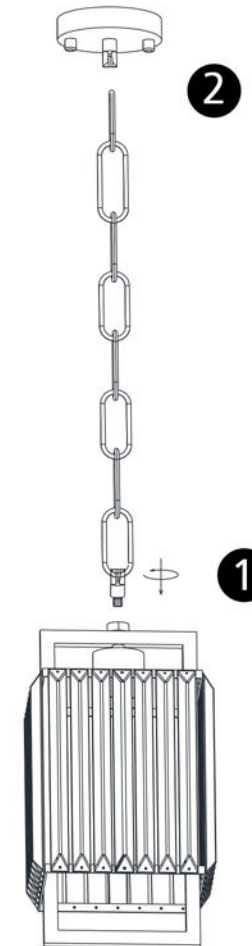


Step 1: Connect the wires from the fixture to the house supply wires nuts, ground wire (green, green/yellow, or bare) to ground wire, neutral wire (white) to neutral wire, and hot wire (black) to hot wire. Wrap the connection with electrical tape.

Step 2: Spread apart the wires so that the hot wires are on one side of the outlet box and the neutral wires are on the other side.

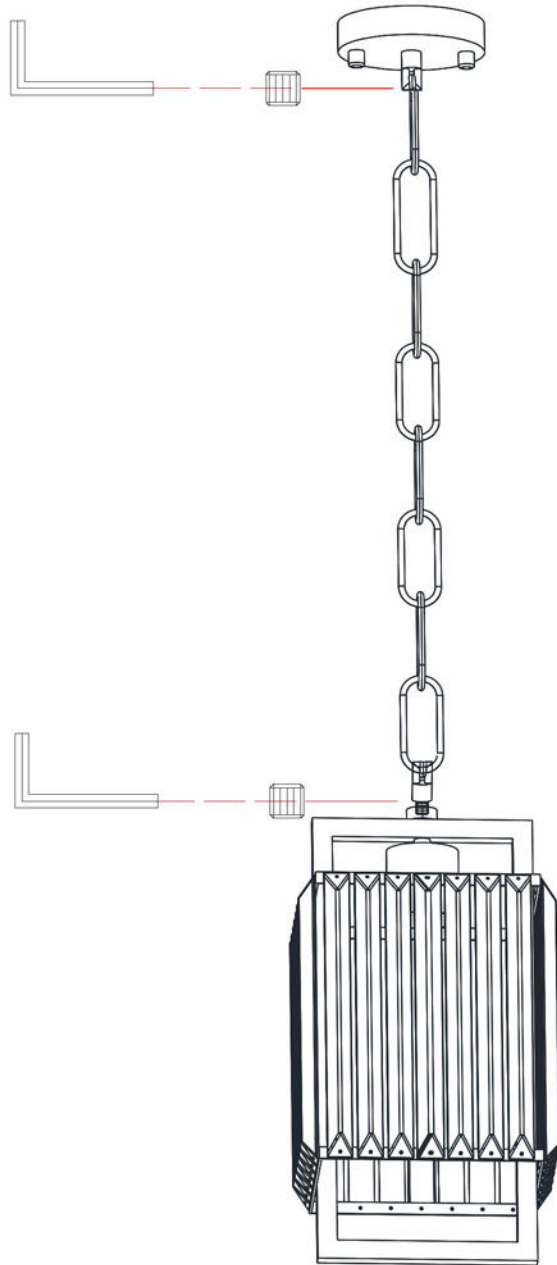
INSTALLATION

1. Screw the bottom of the fixture chain **1** into the fixture body.
2. Screw the top of the fixture chain **2** into the ceiling canopy.



INSTALLATION

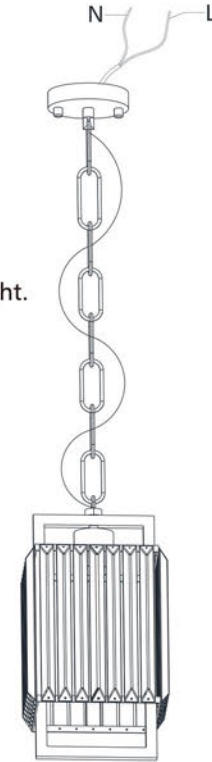
- 2** Use a hex wrench to secure the hex screws



- 4 of 8 -

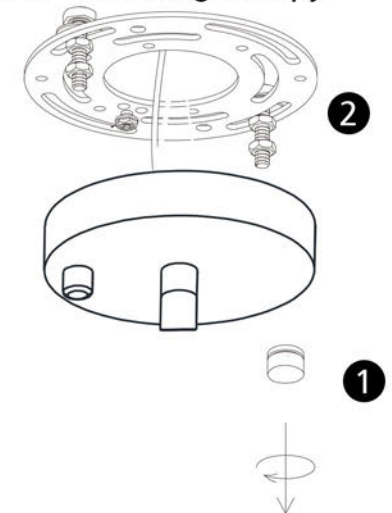
INSTALLATION

- 3** Wire Run Through the Ceiling Canopy



NOTE: Don't make the wires too tight.

- 4** 1. Unscrew the nuts **1** on both sides of the ceiling canopy.
2. Take out the hanging bracket **2**



- 5 of 8 -