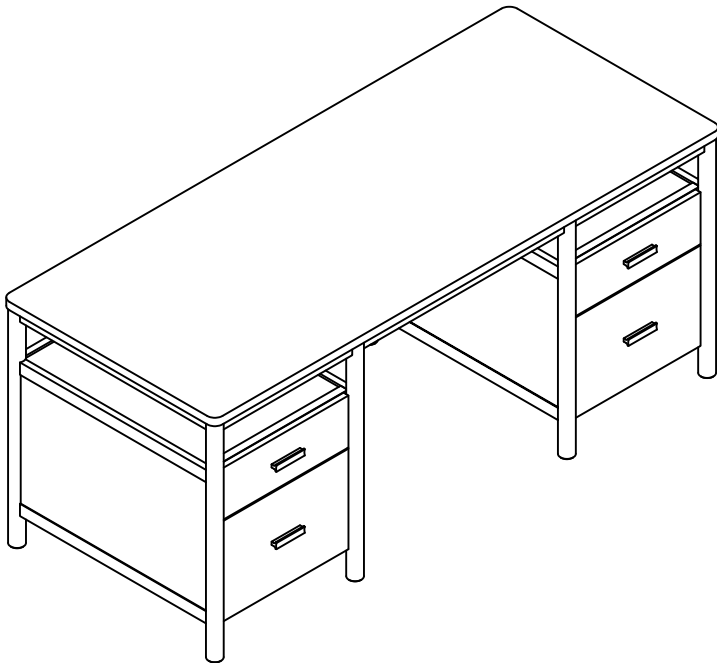


# JAYLESSA WOOD 4 DRAWER DESK

DESIGN #SFV4230

Assembly Instructions



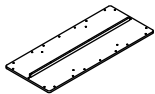
**SAFAVIEH**  
C O U T U R E

# Thanks for bringing Safavieh Couture into your home

Everything we make is incredibly simple to set up, including your new desk. You won't need any additional tools.

## Parts List

A x 1  
TABLE TOP



B x 1  
LEFT BASE



C x 1  
RIGHT BASE



D x 1  
BACK PANEL



E x 2  
BACK RAIL



## Hardware List

HW1 x 26  
Bolt M6x40mm



HW2 x 8  
Cam bolt



HW3 x 8  
Cam lock

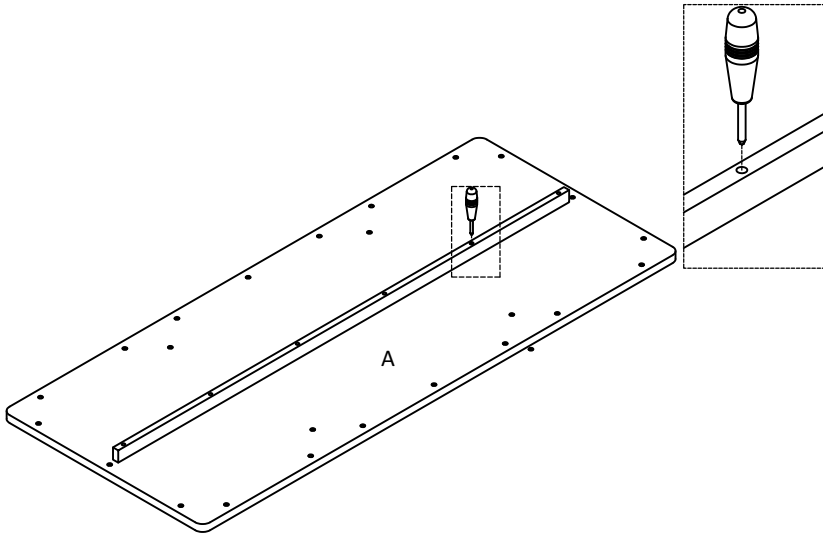


HW4 x 1  
Allen key



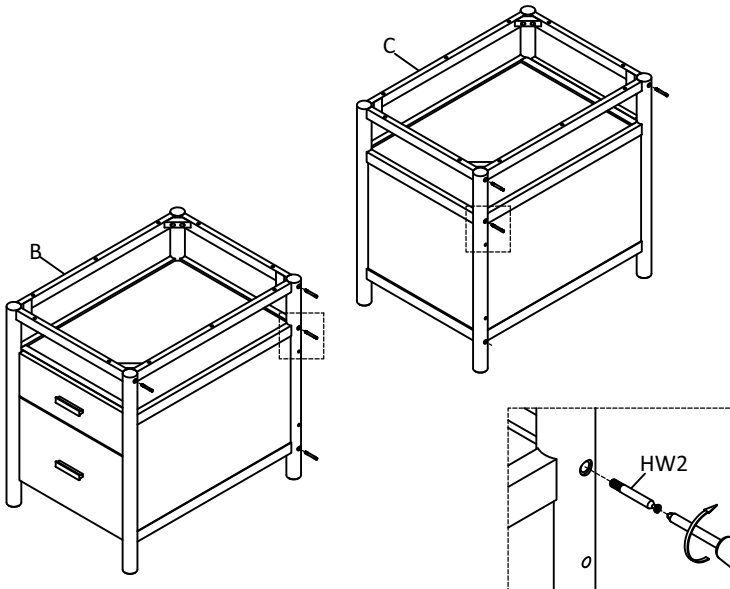
1

Place the table top (A) upside down on a soft surface. Use a screwdriver (not included) to remove the wood bar from the bottom of the table top (A).



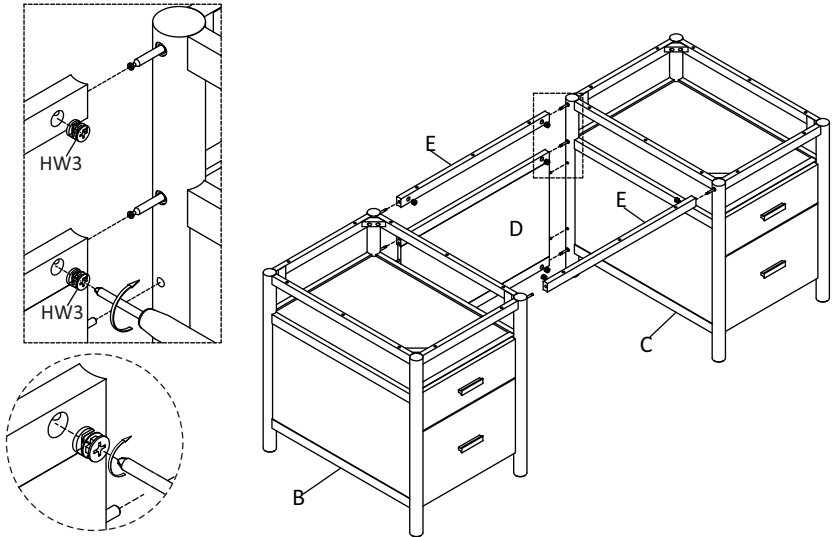
2

Use a screwdriver (not included) to screw in the Cam Bolts (HW2) into the 8 spots shown below on the bases (B&C).



3

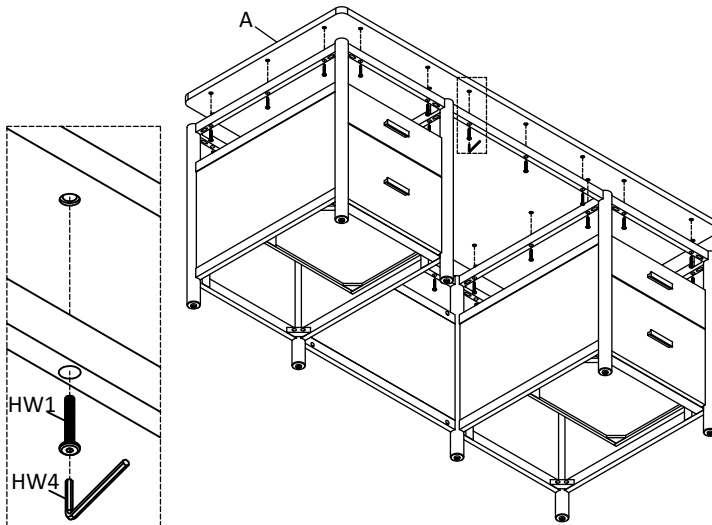
Insert the Cam lock (HW3) into the back rails (E) and Back Panel (D) in the spots shown below. Attach the back rails (E) and Back Panel (D) to the bases (B&C) by inserting the Cam bolts (HW2) into the Cam locks (HW3) as shown below. Use a screwdriver (not included) to attach them.



Arrow toward cam bolt

4

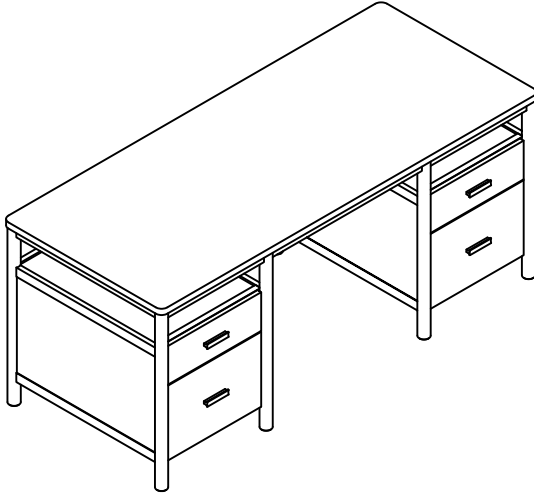
Align the screw holes on the table top (A) to the screw holes on the 2 bases (B&C). Attach them by using the Allen key (HW4) to screw in the bolts (HW1).



5

Place the desk in the place where you will use it. We'd love to see it – just tag us (we're @safavieh) and use the hashtag #safavieh on Instagram!

@safavieh



**Need help?**

Feel free to contact us via email or call  
if you have any specific questions!

**contact us:**

[cs@safavieh.com](mailto:cs@safavieh.com)

866-422-9070