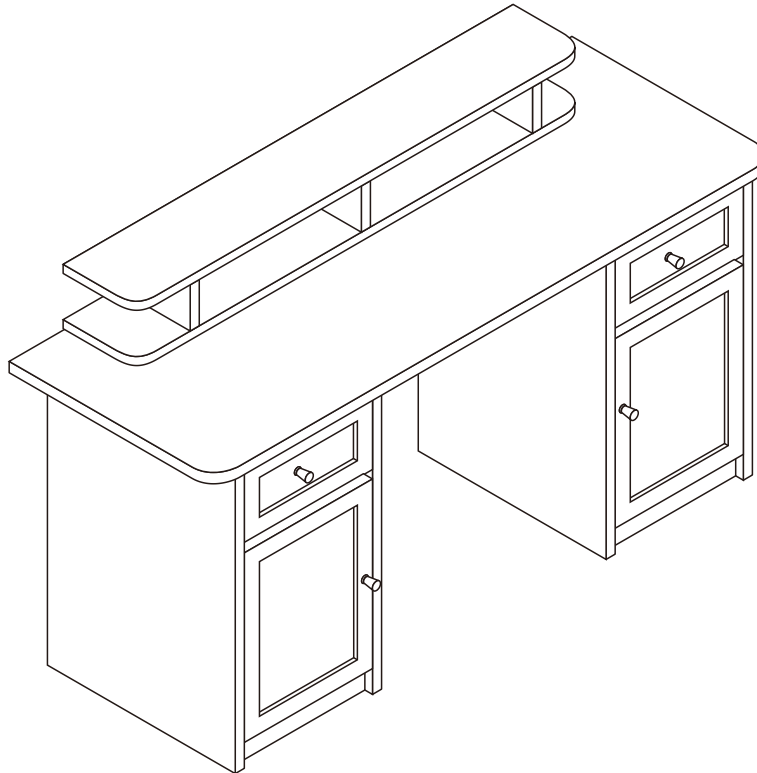


DESK

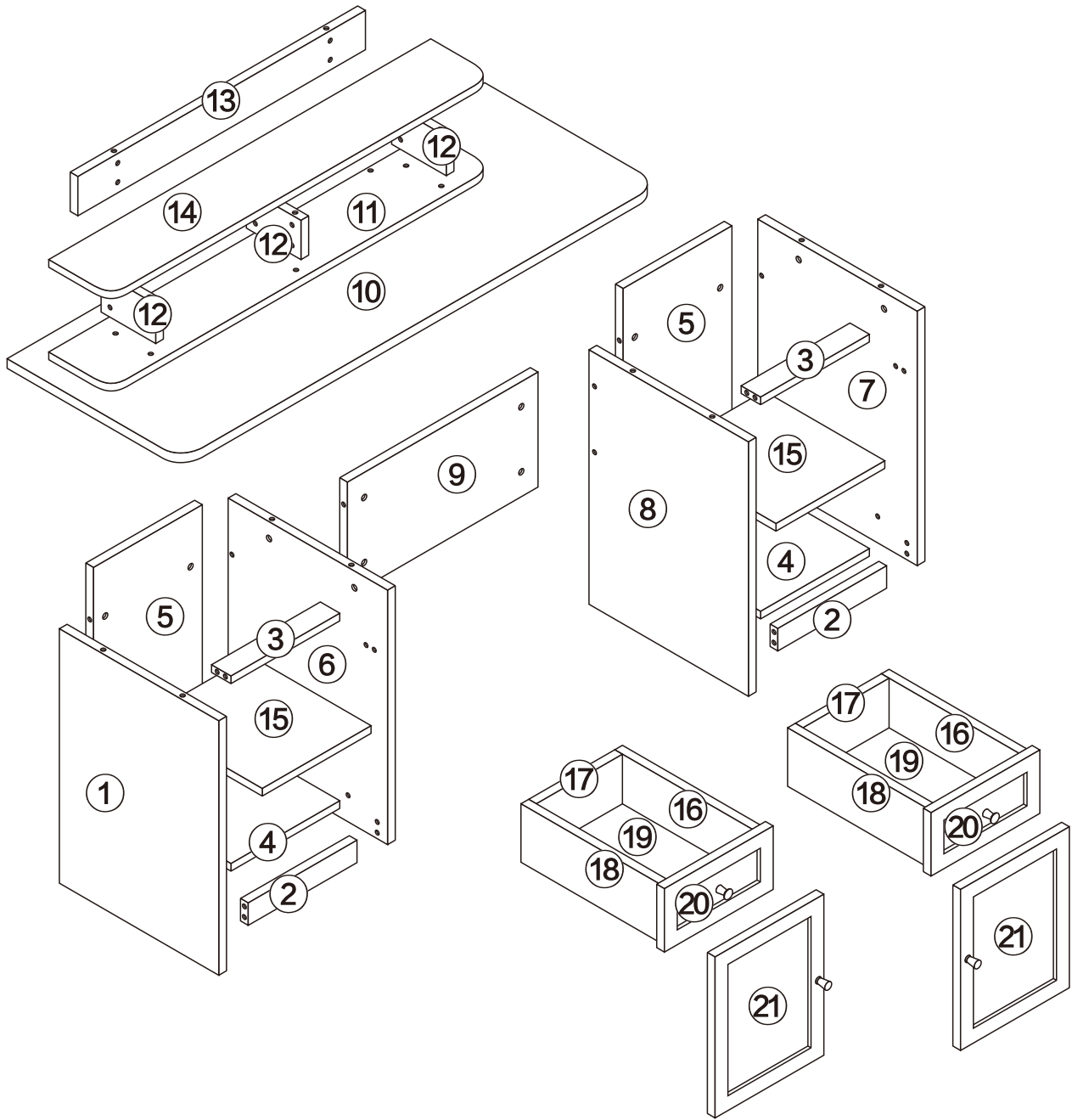


2 Persons

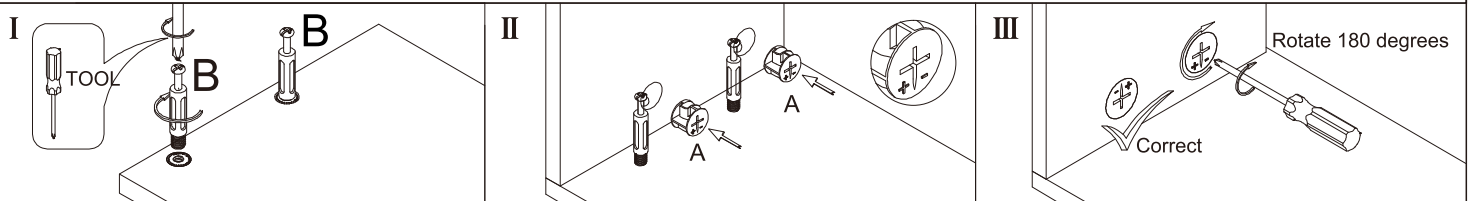
L1500*W550*H905MM






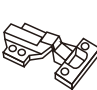

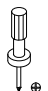





Installation Instructions

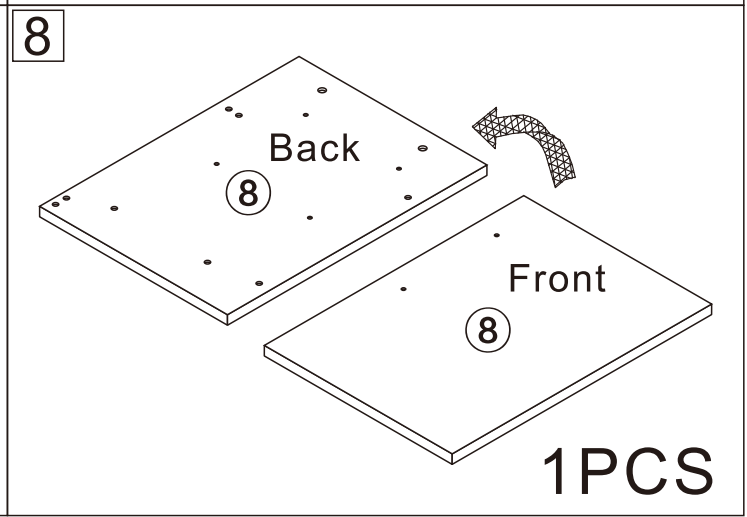
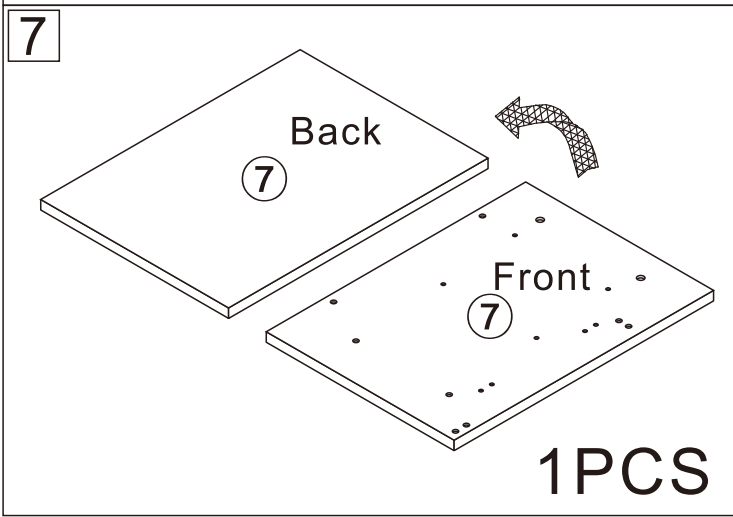
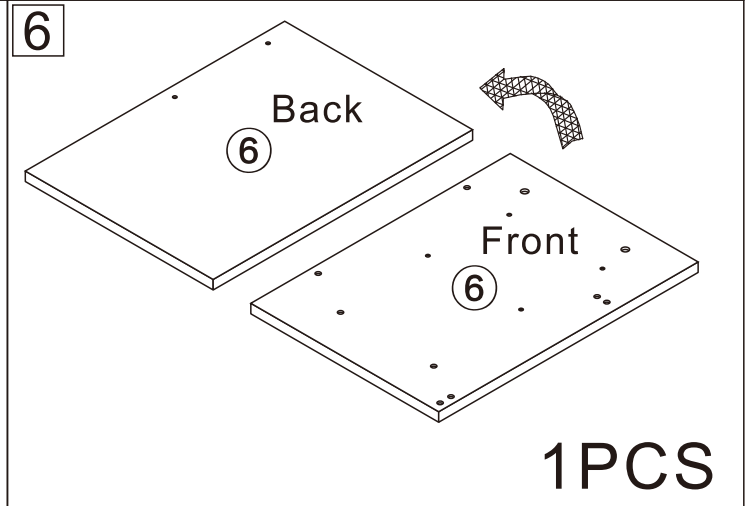
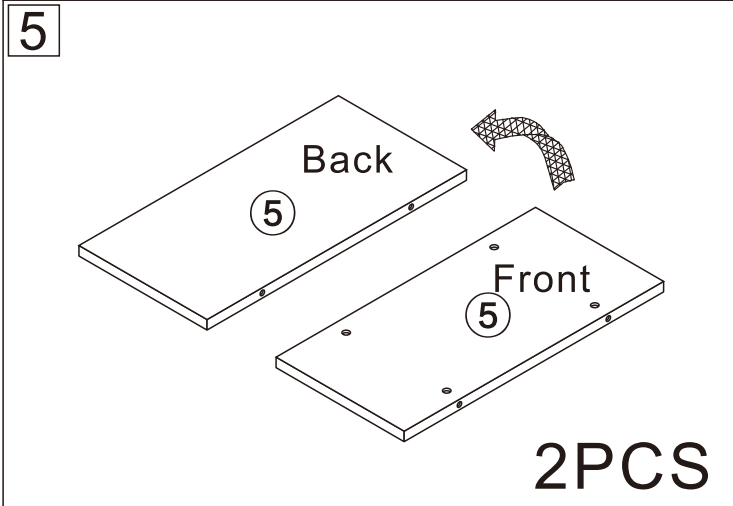
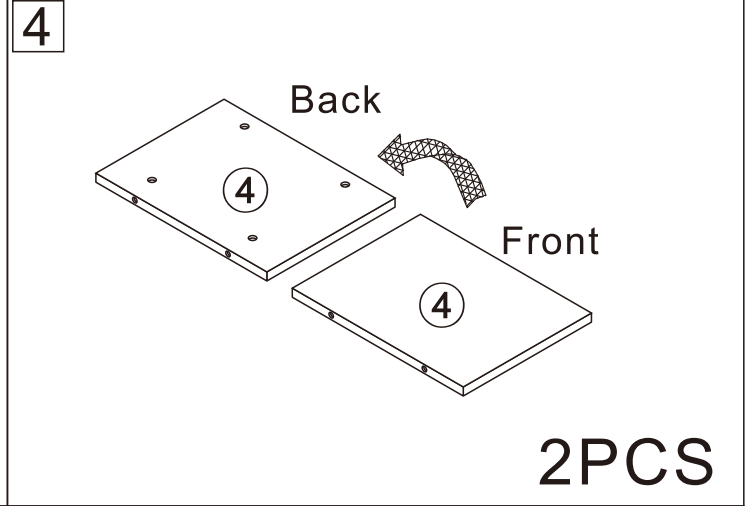
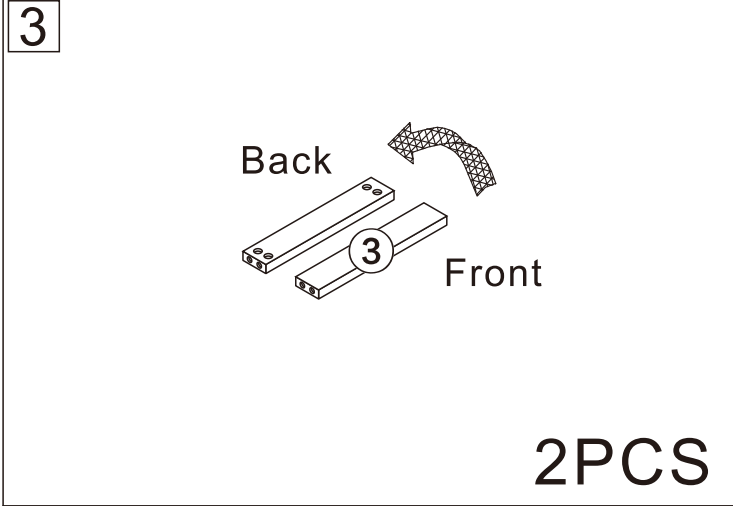
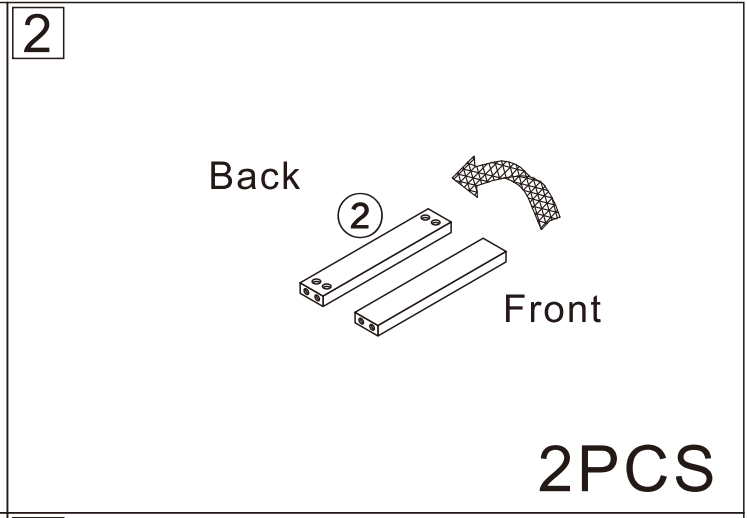
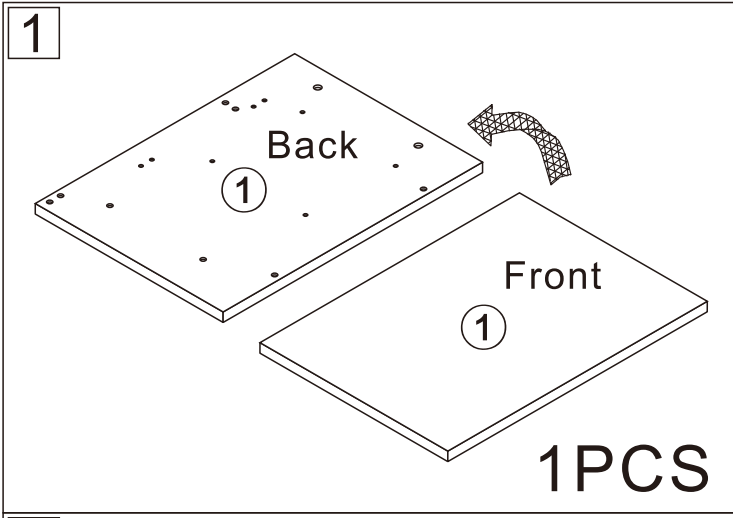
Notes: Don't tighten screws completely at first, just in case parts were assembled wrongly and need disassemble. Tighten screws at last when all parts are put together.

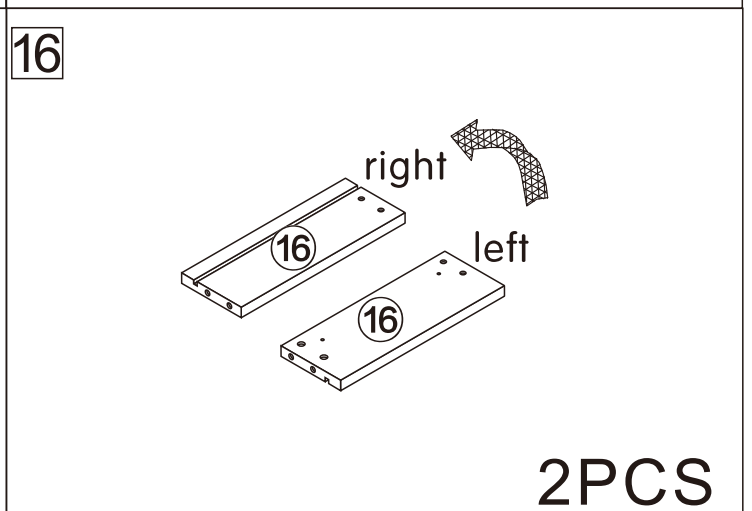
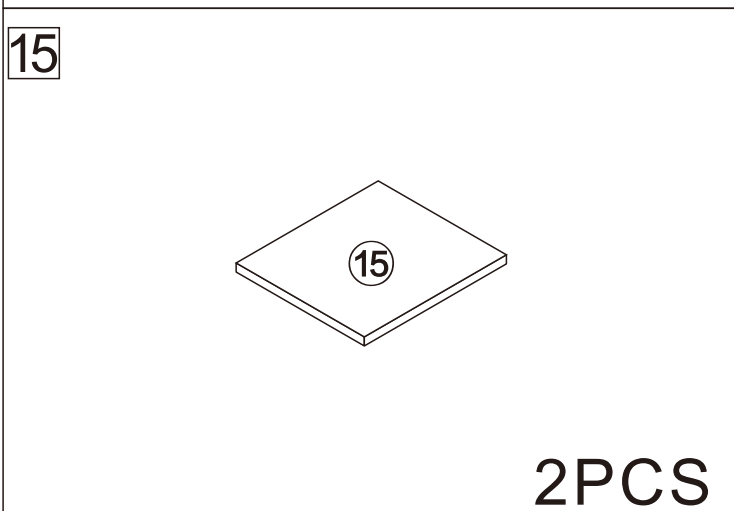
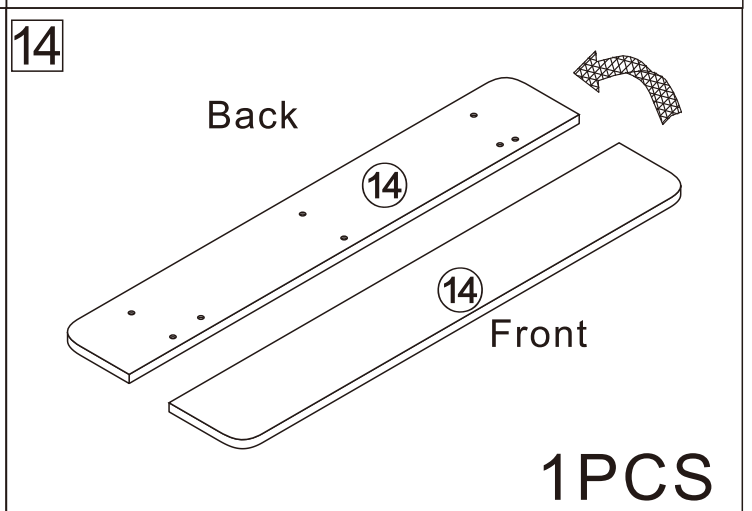
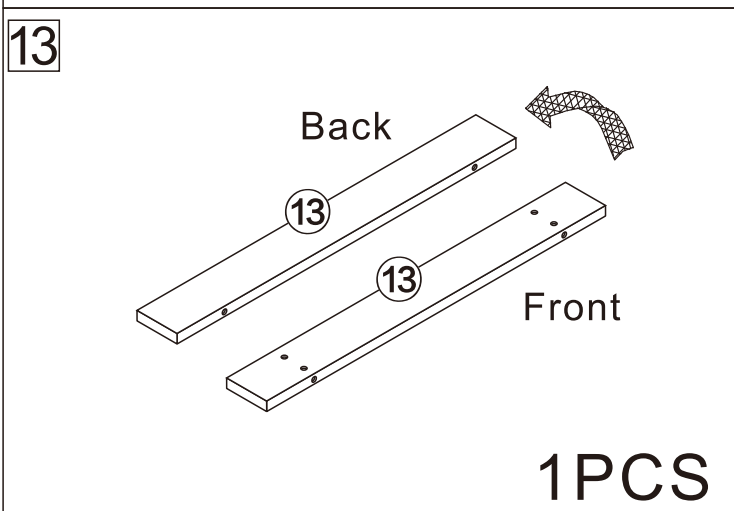
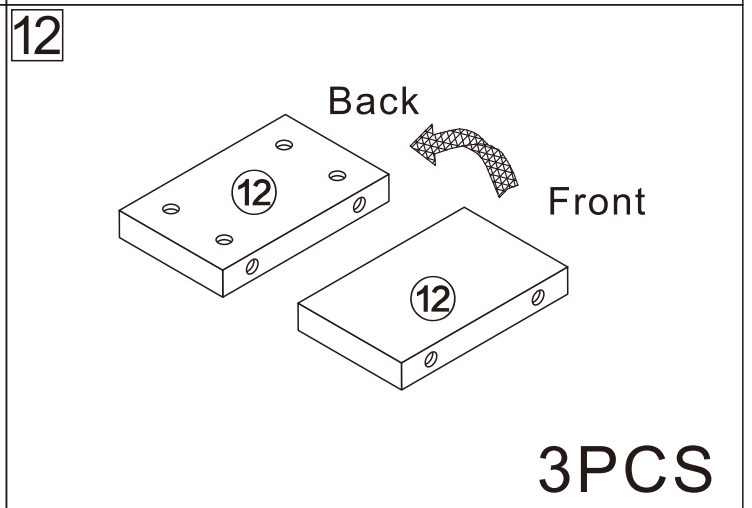
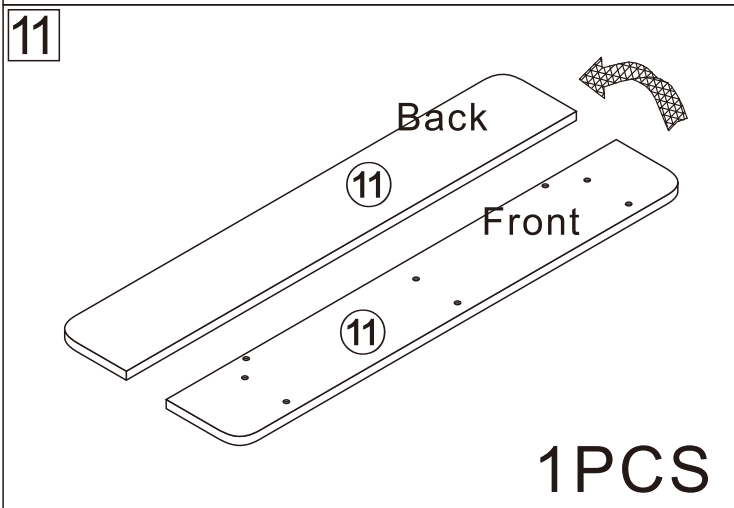
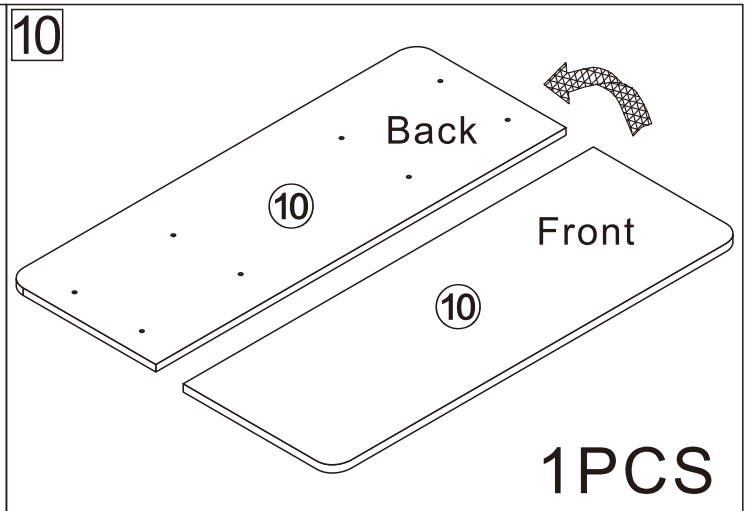
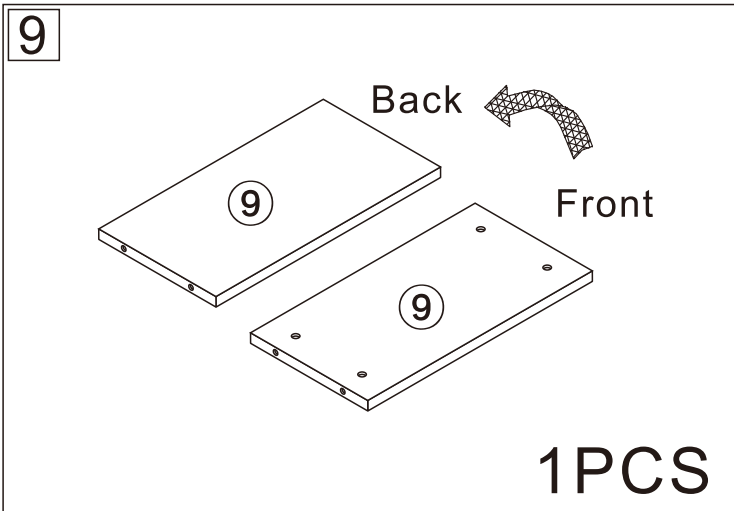


Disassembly and installation of accessories

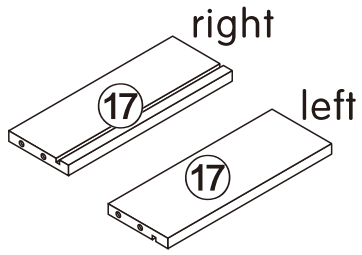


A 68PCS  15*10mm	B 68PCS  6*28mm	C 24PCS  3.5*14mm	D 4PCS  Three-section Rail	E 8PCS  3.5*40mm	F 4PCS 	G 16PCS  4*12mm	 Tools Recommended	
H 8PCS  Φ5*8mm	I 4PCS  4*18mm	J 4PCS  	K 12PCS  φ 15mm					



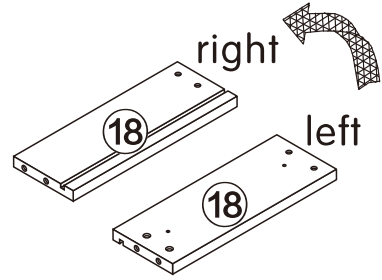


17



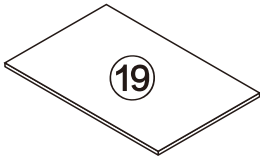
2PCS

18



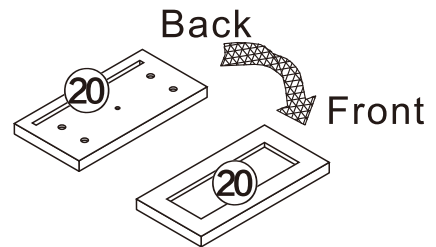
2PCS

19



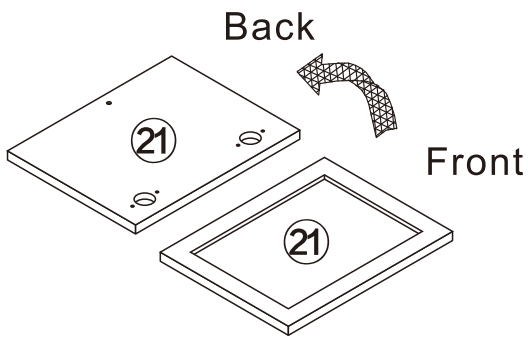
2PCS

20



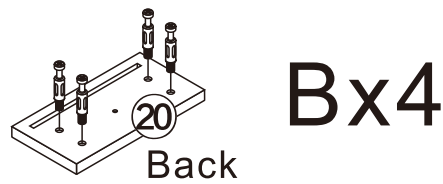
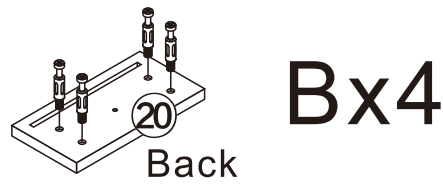
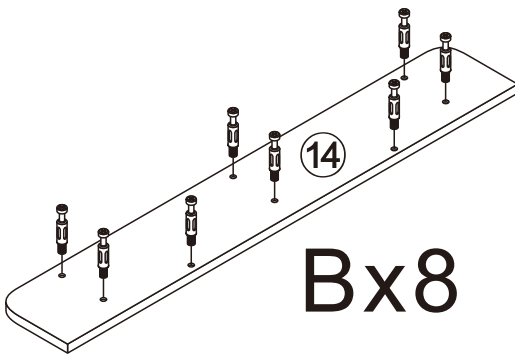
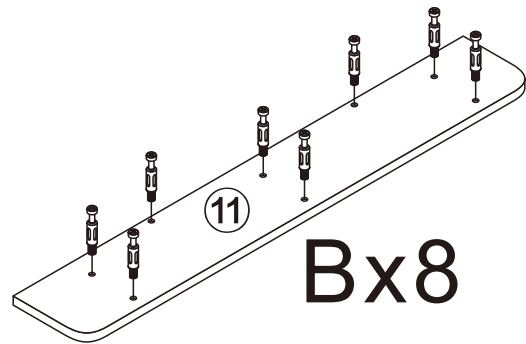
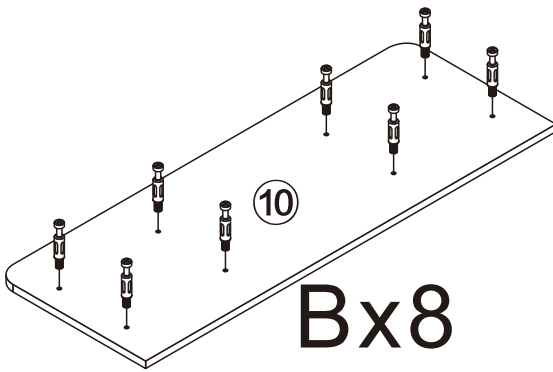
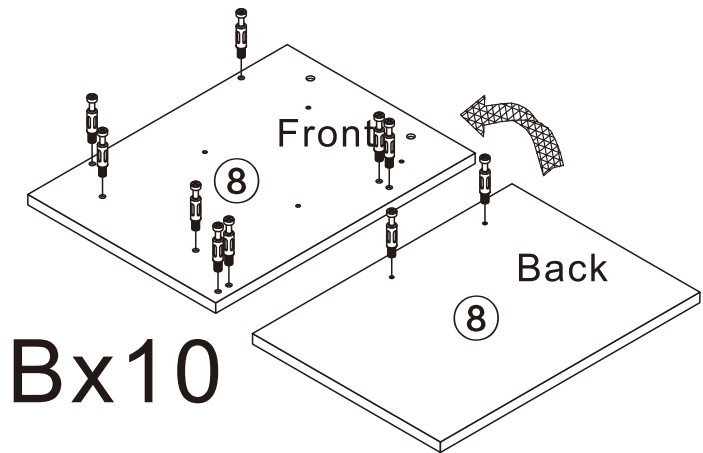
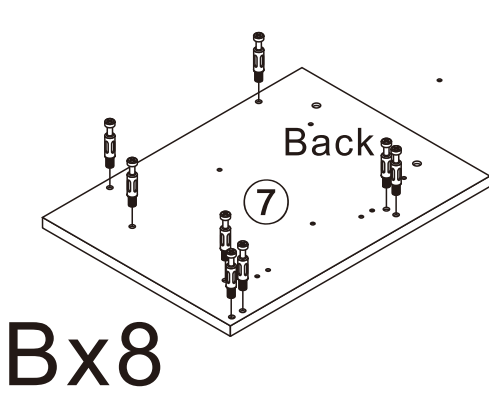
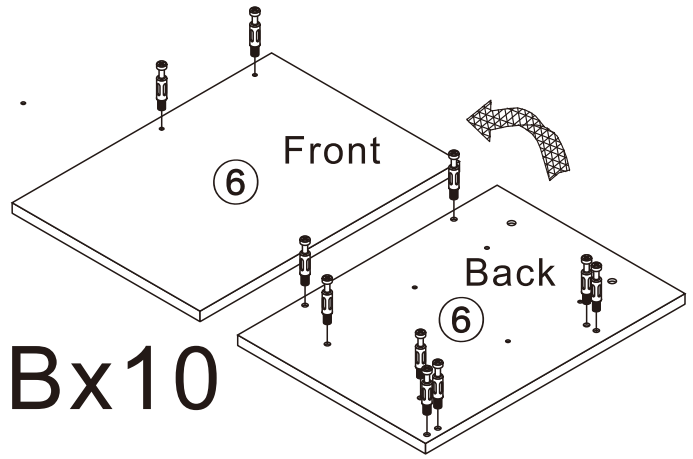
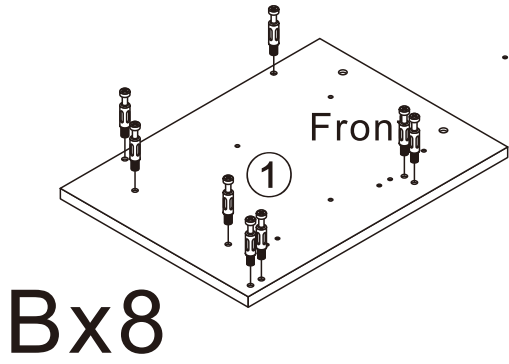
2PCS

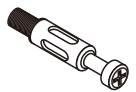
21



2PCS

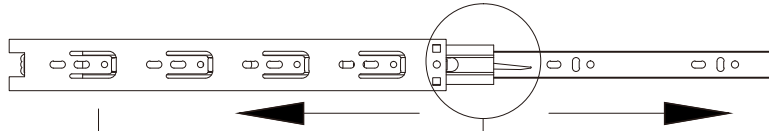
1



B	68PCS
	
6*28mm	

2

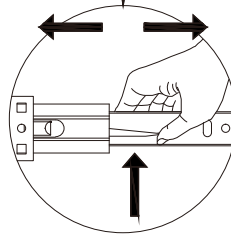
Dx4



D₁



D₂



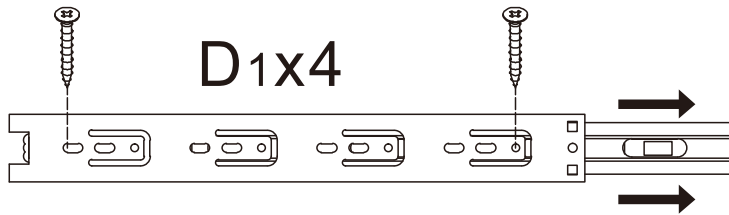
D₁ 4PCS



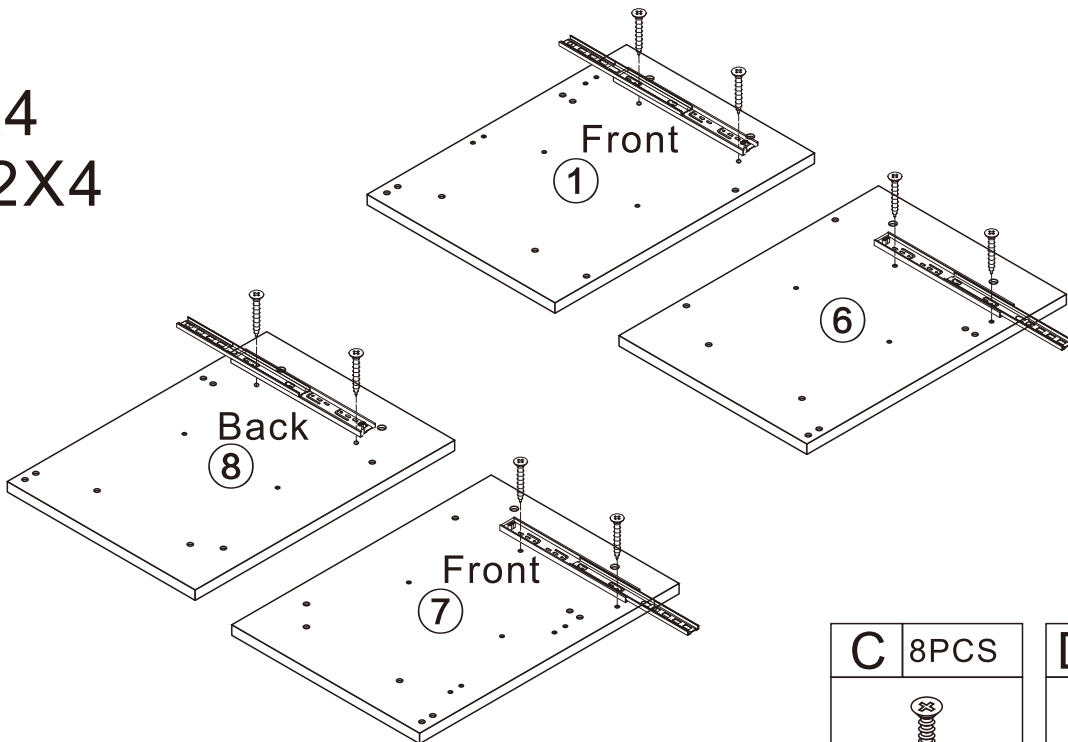
Three-section Rail

3

D₁X4



D₁X4
CX2X4



C 8PCS



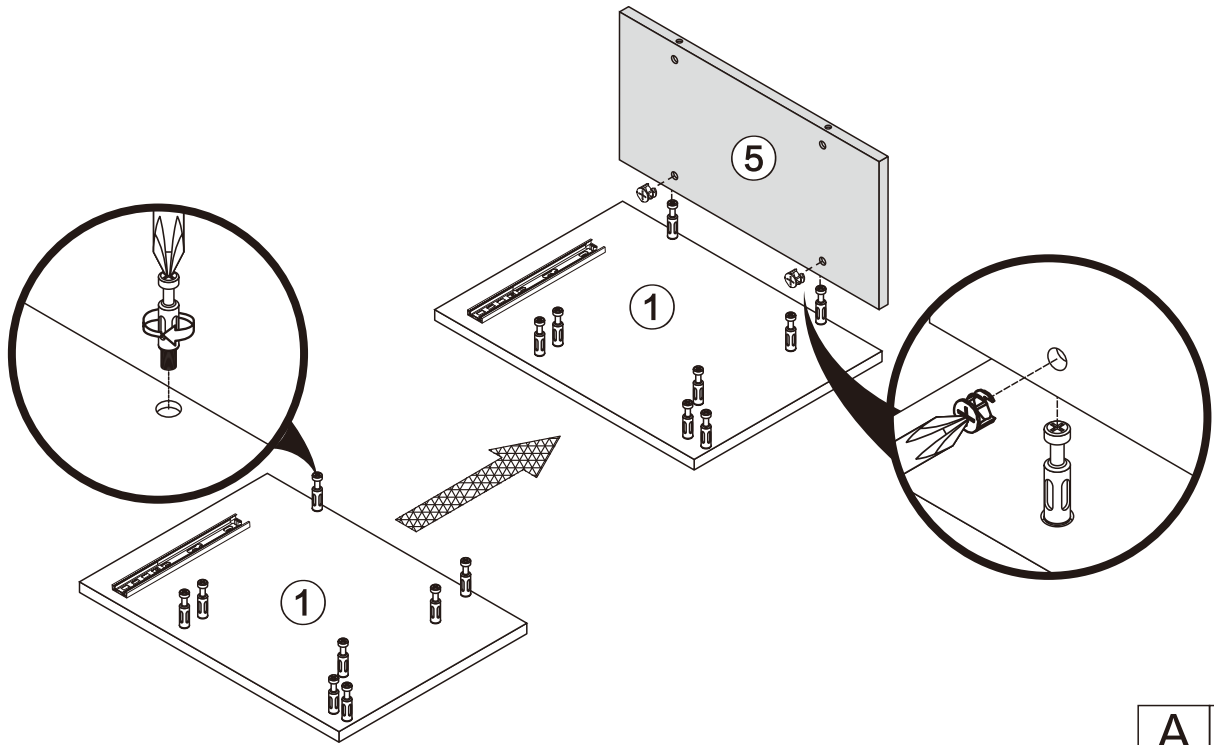
3.5*14mm


D₁ 4PCS



Three-section Rail

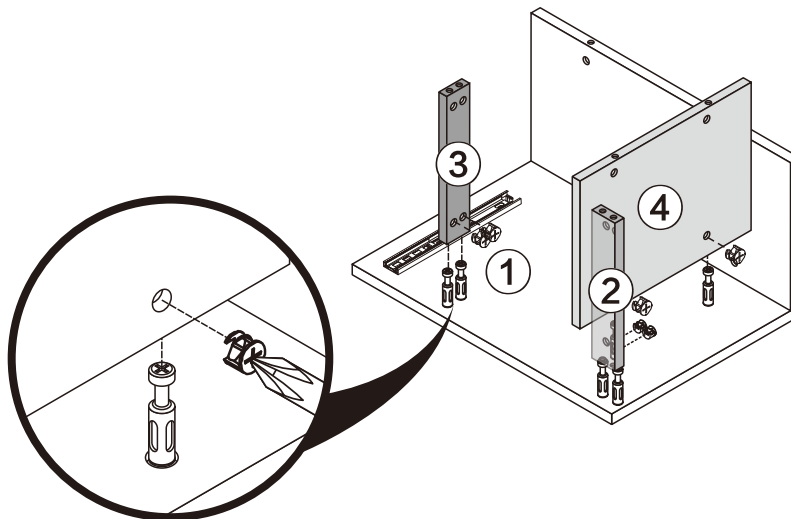
4




A	2PCS
	
15*10mm	

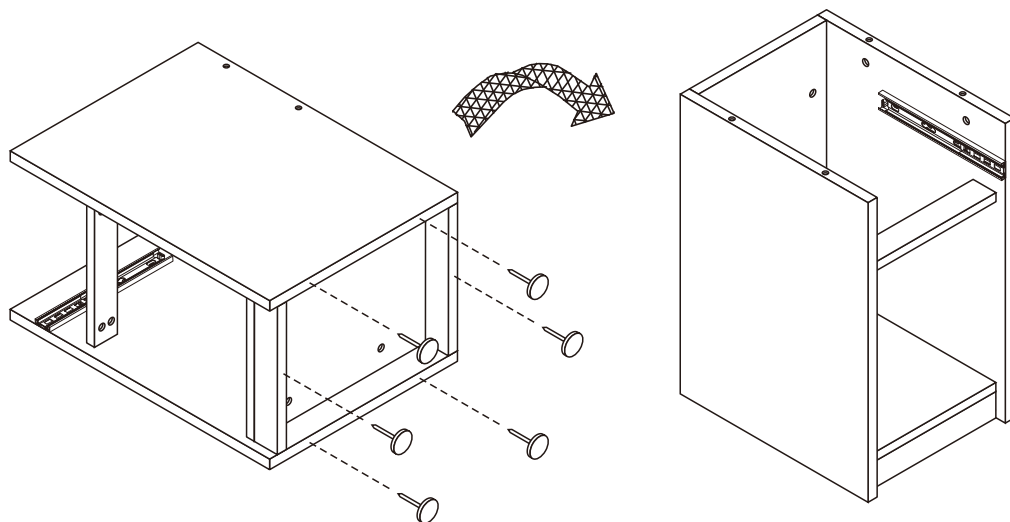
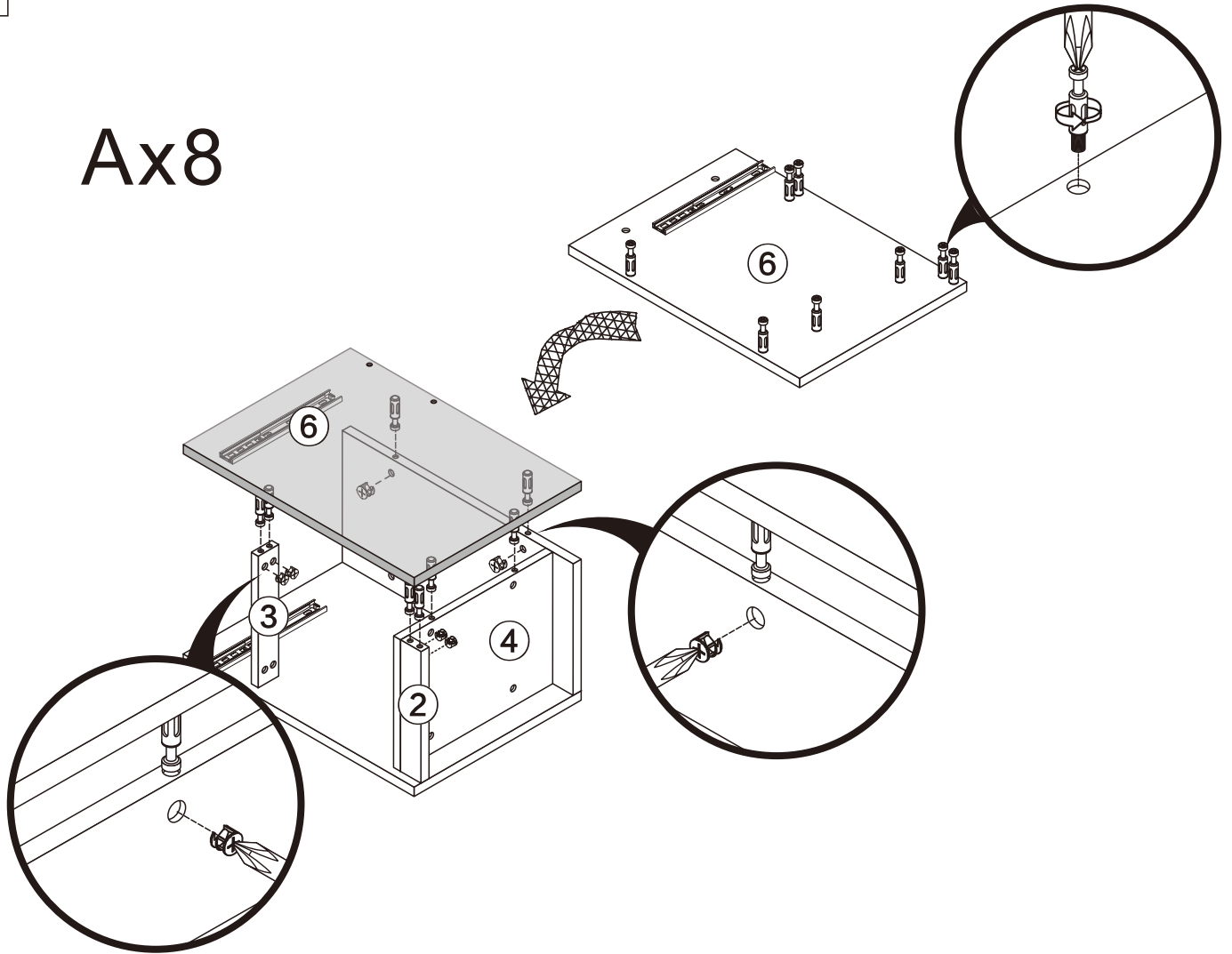
5



Ax6



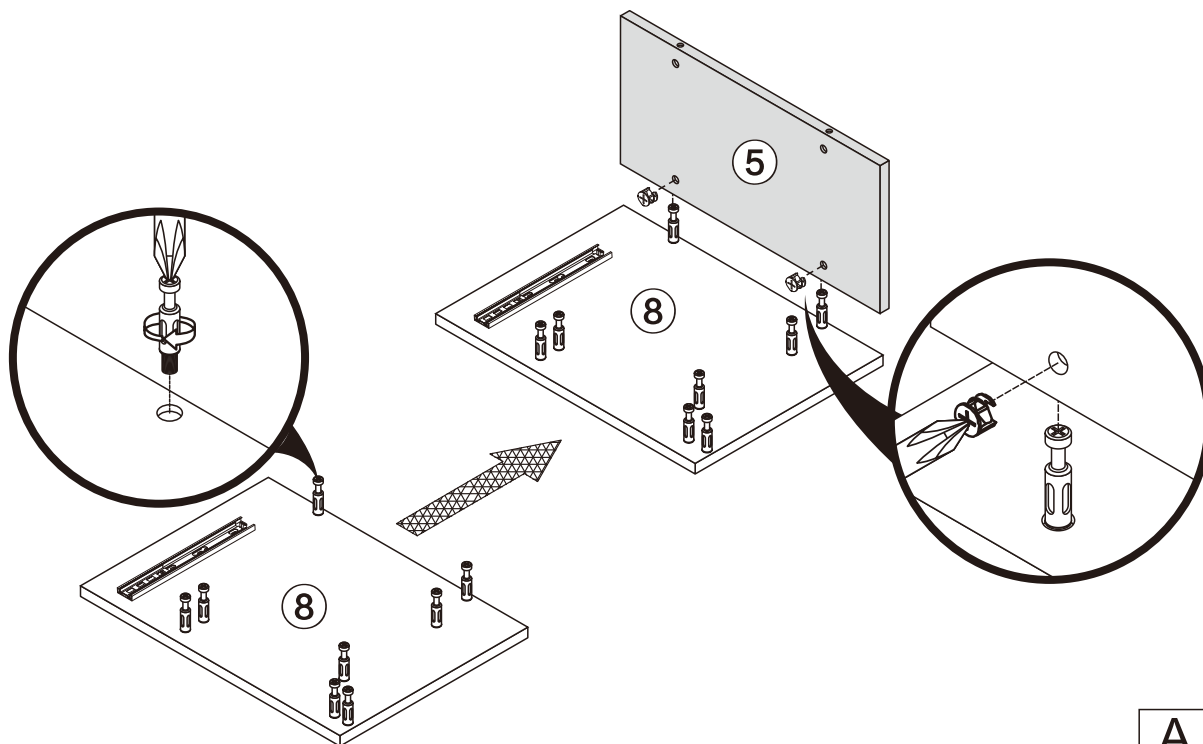
A	6PCS
	
15*10mm	


Ax8



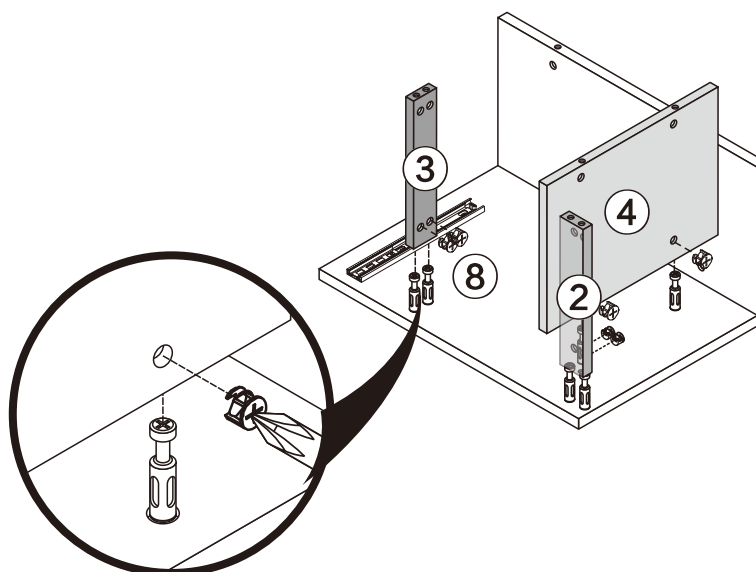
A	8PCS	K	6PCS
			
15*10mm		φ 15mm	


7



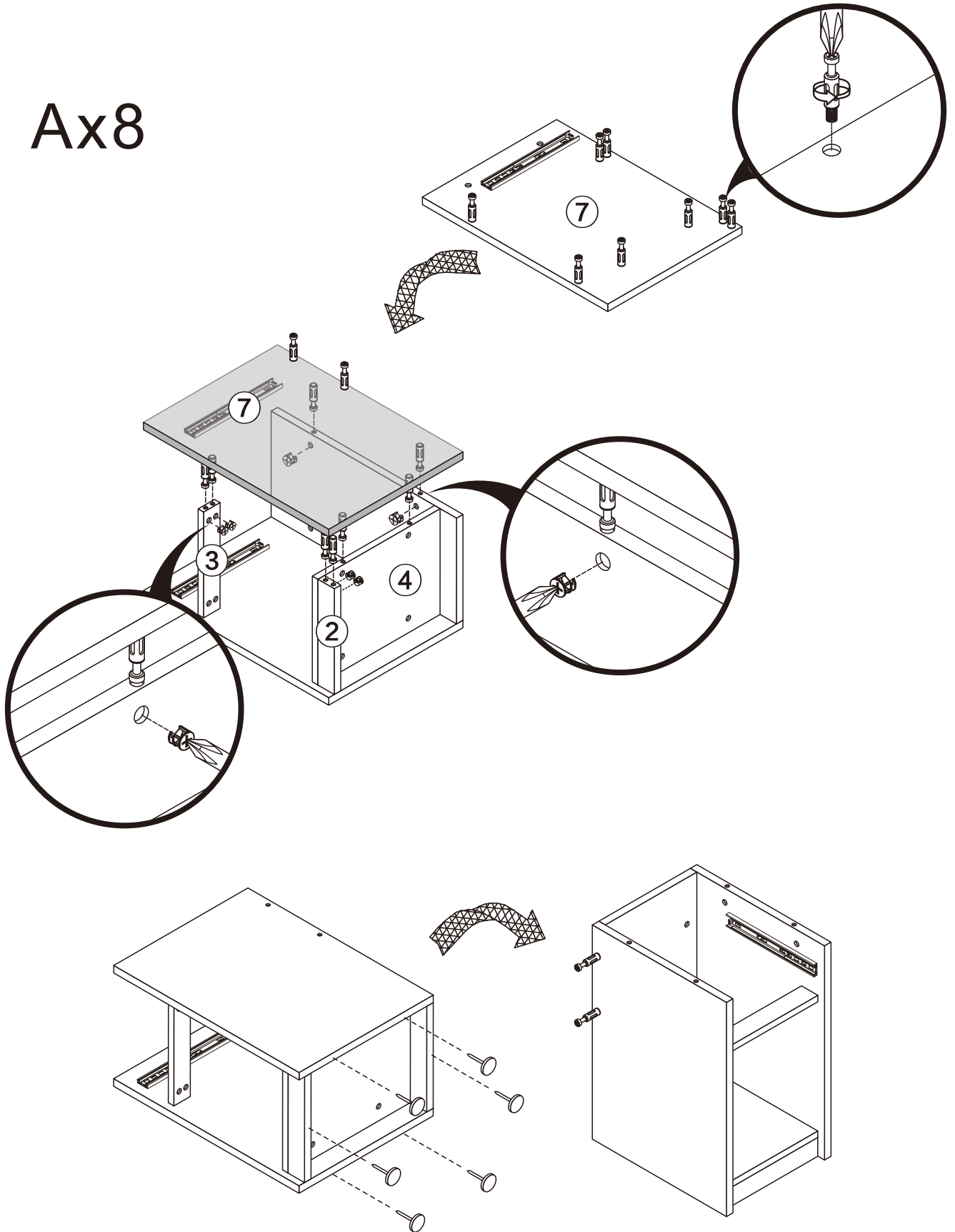
A	2PCS
	
15*10mm	



8

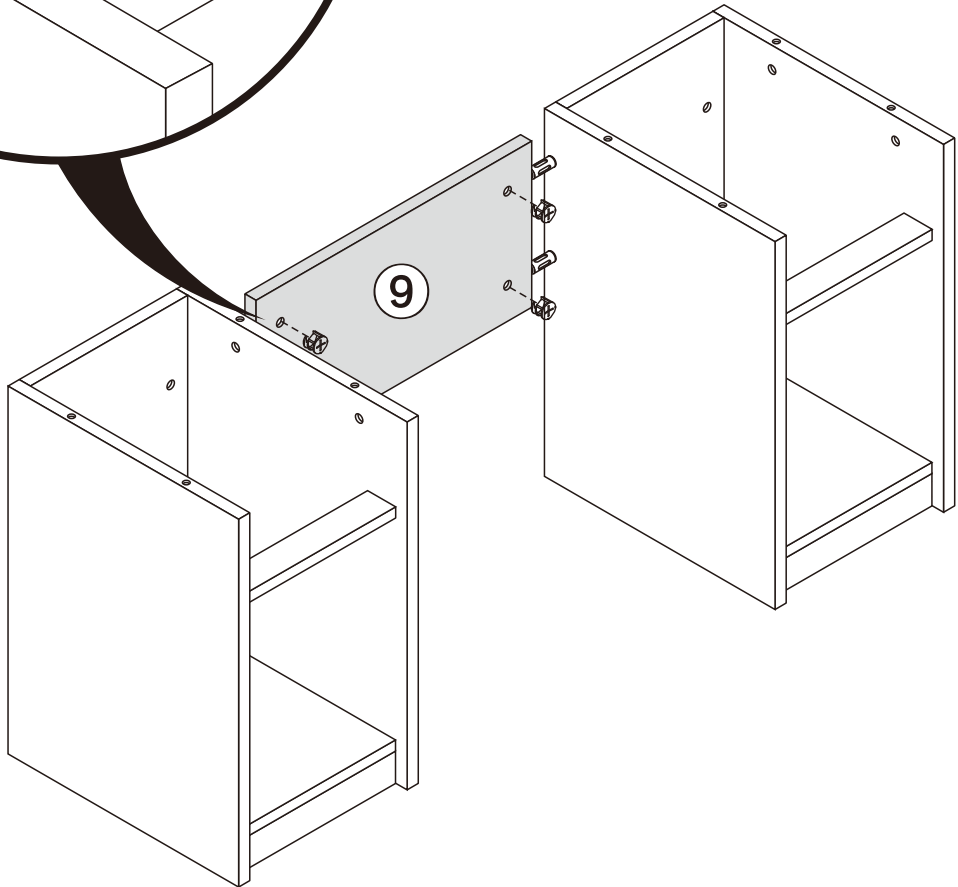
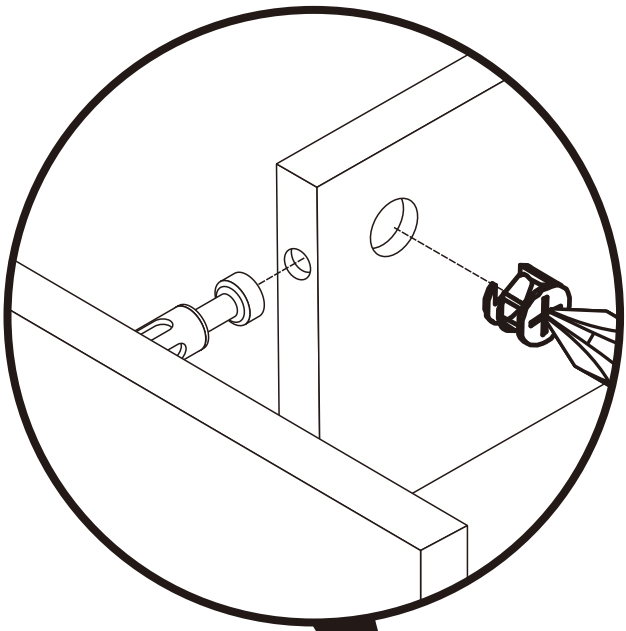



A	6PCS
	
15*10mm	

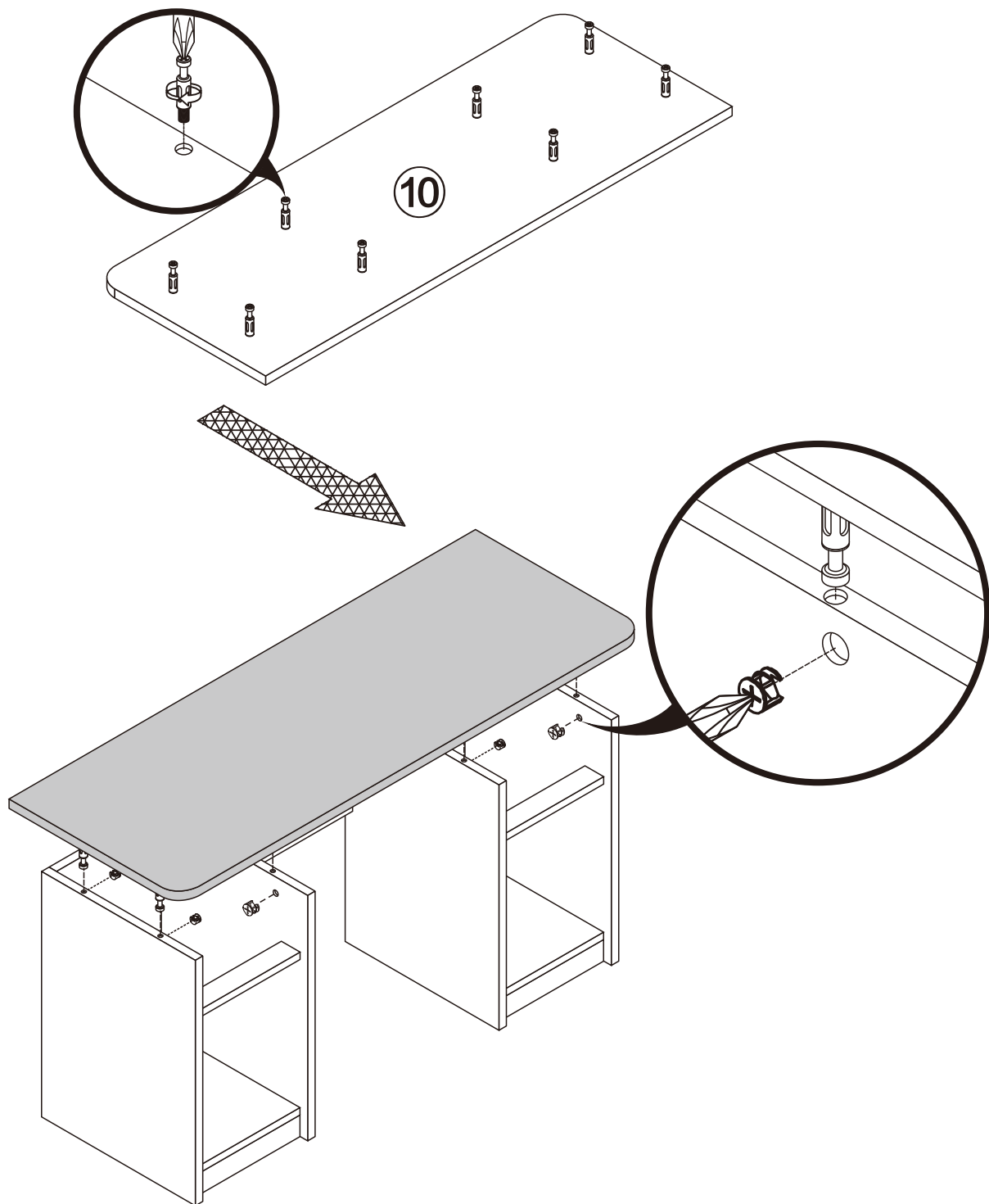
Ax8




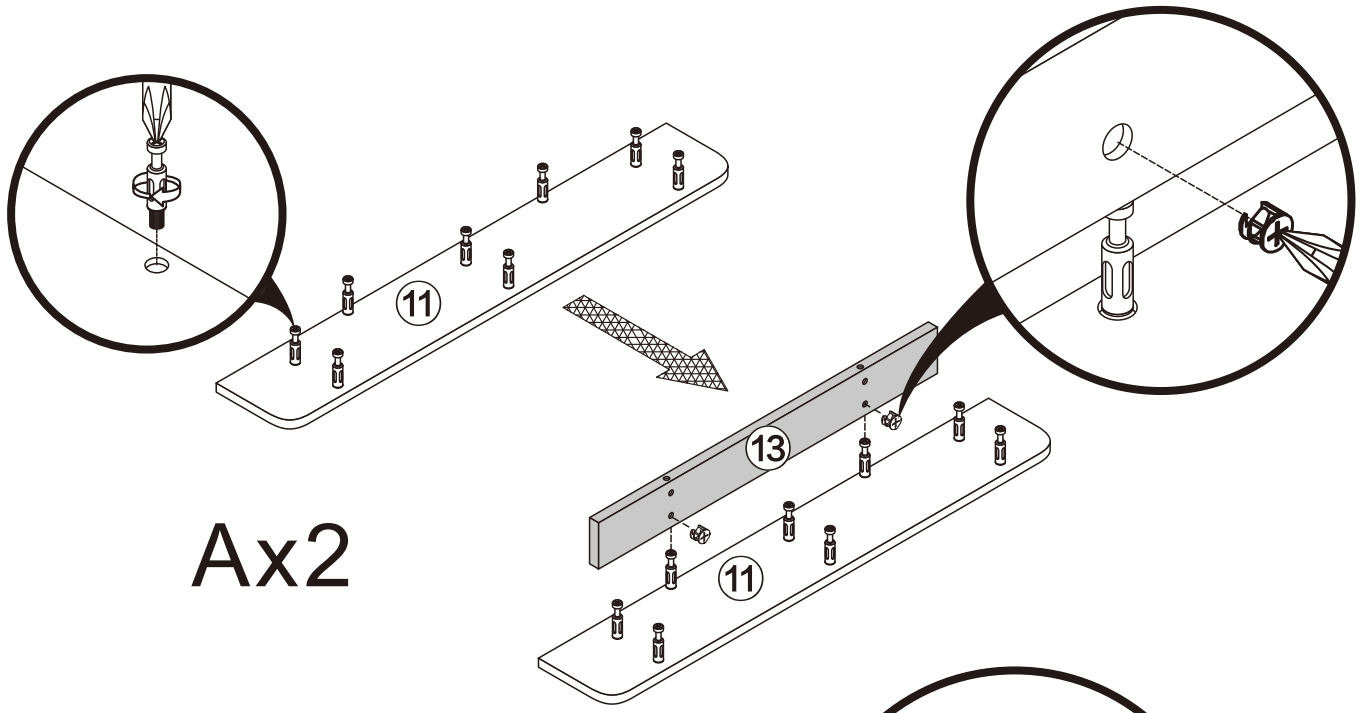
A	8PCS	K	6PCS
			
15*10mm		φ 15mm	



A	4PCS
	
15*10mm	

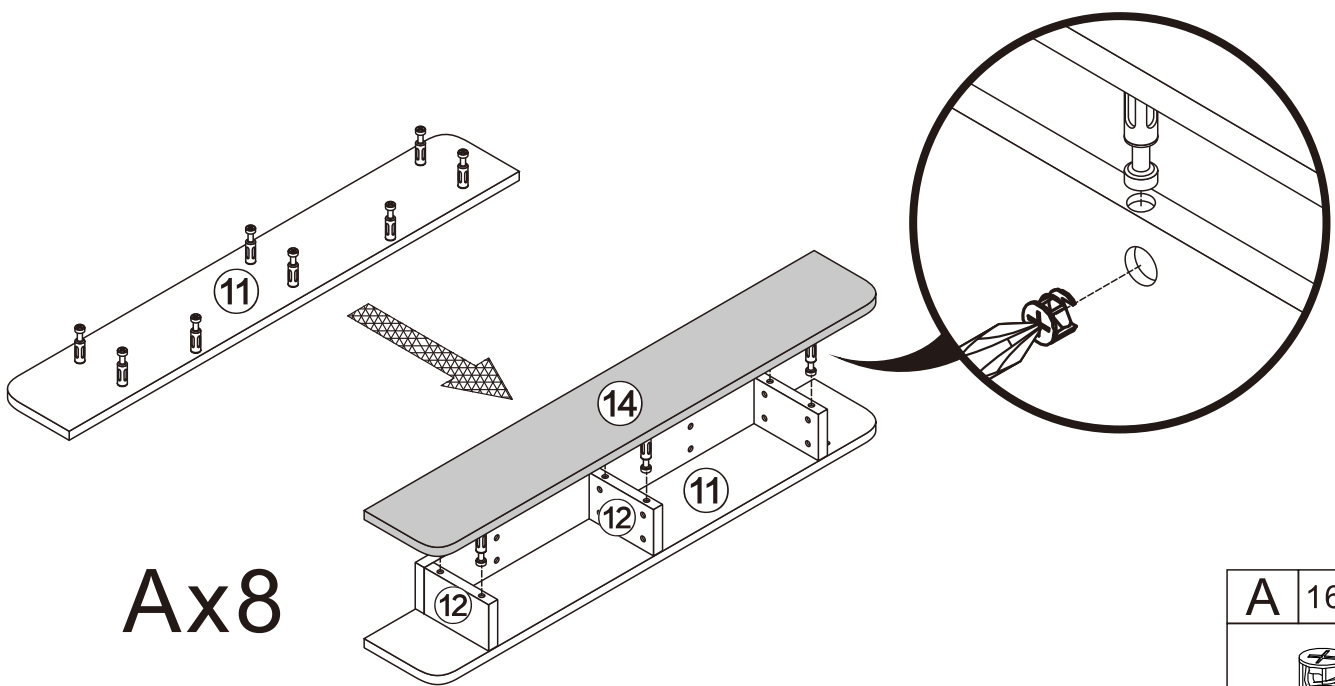


A	8PCS
	
15*10mm	




Ax2

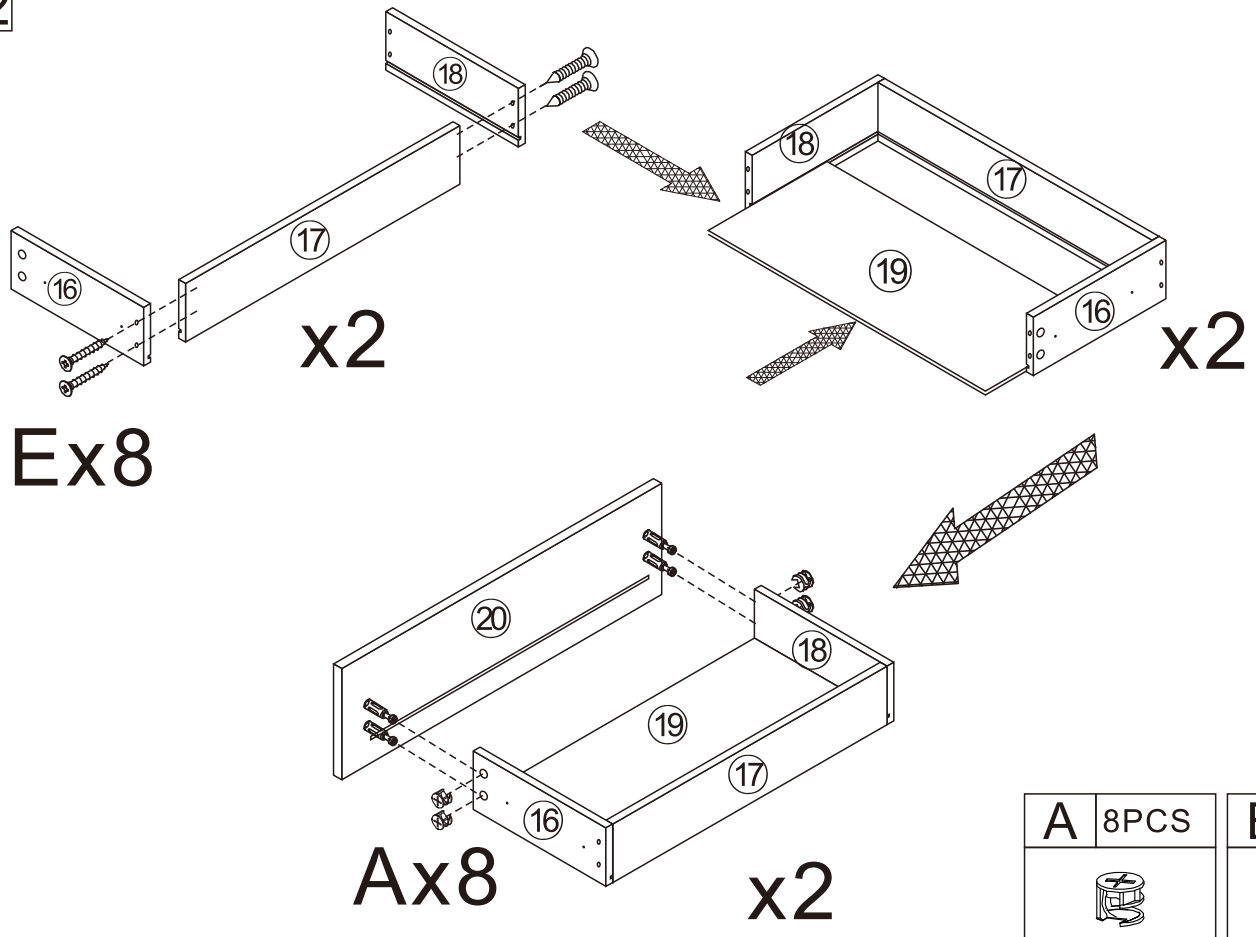
Ax6



Ax8

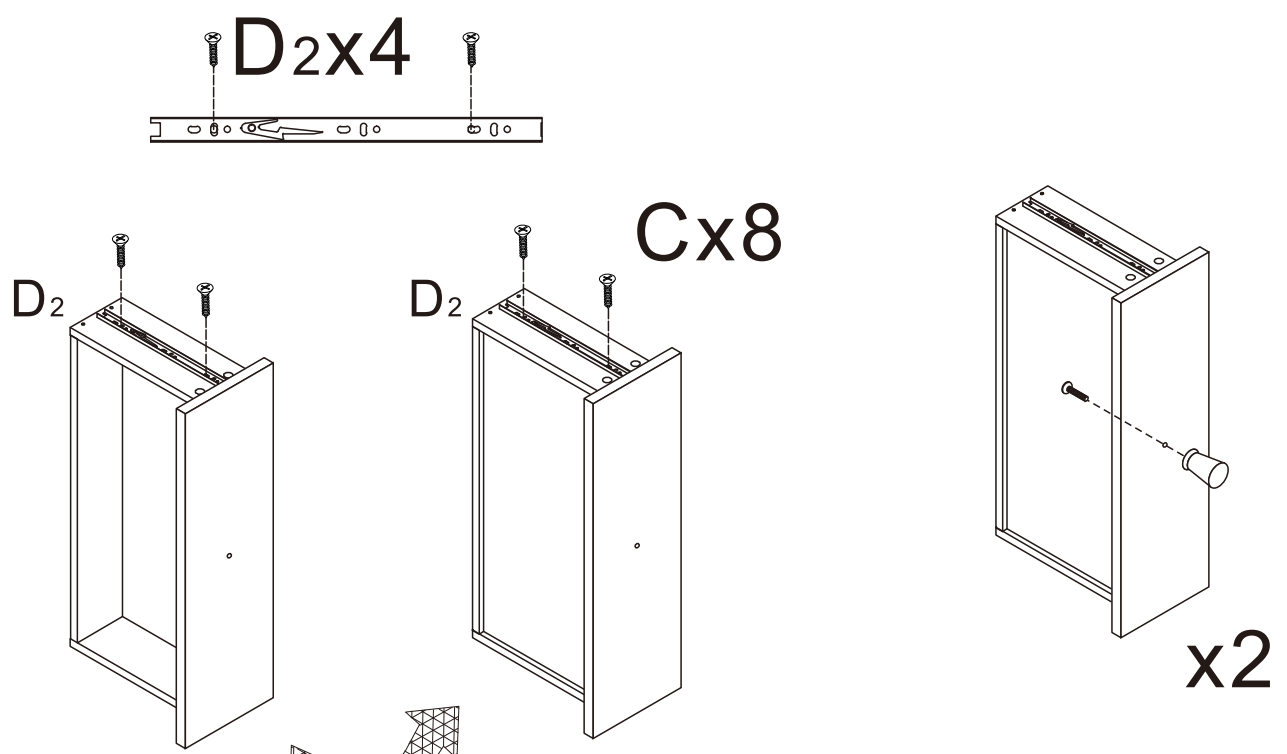
A	16PCS
	
15*10mm	

12



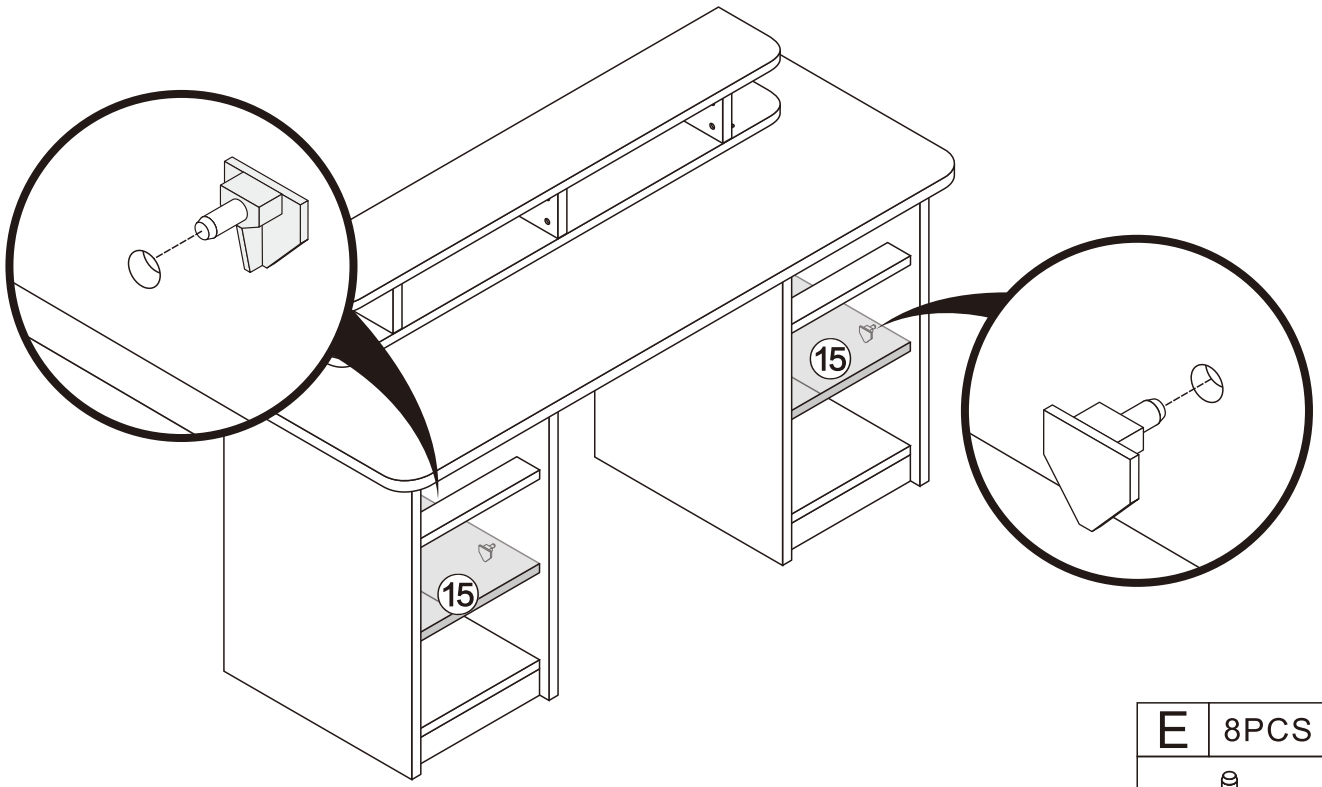
A	8PCS	E	8PCS
15*10mm		3.5*40mm	

13

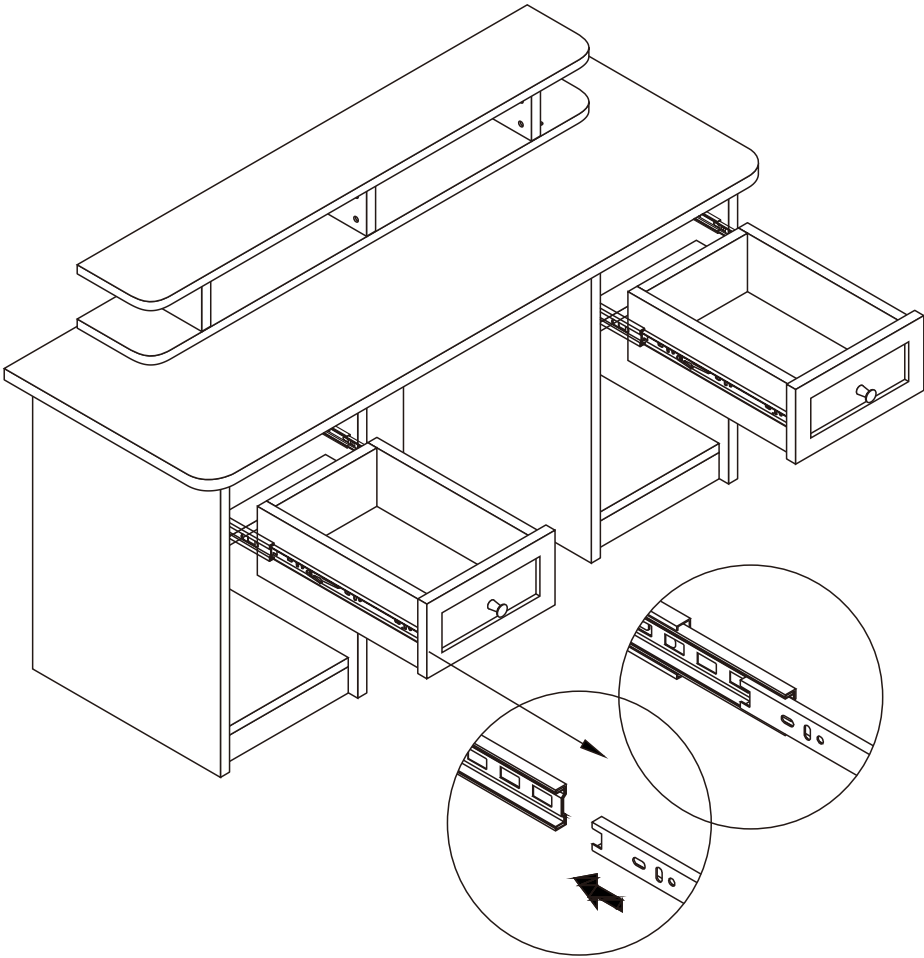


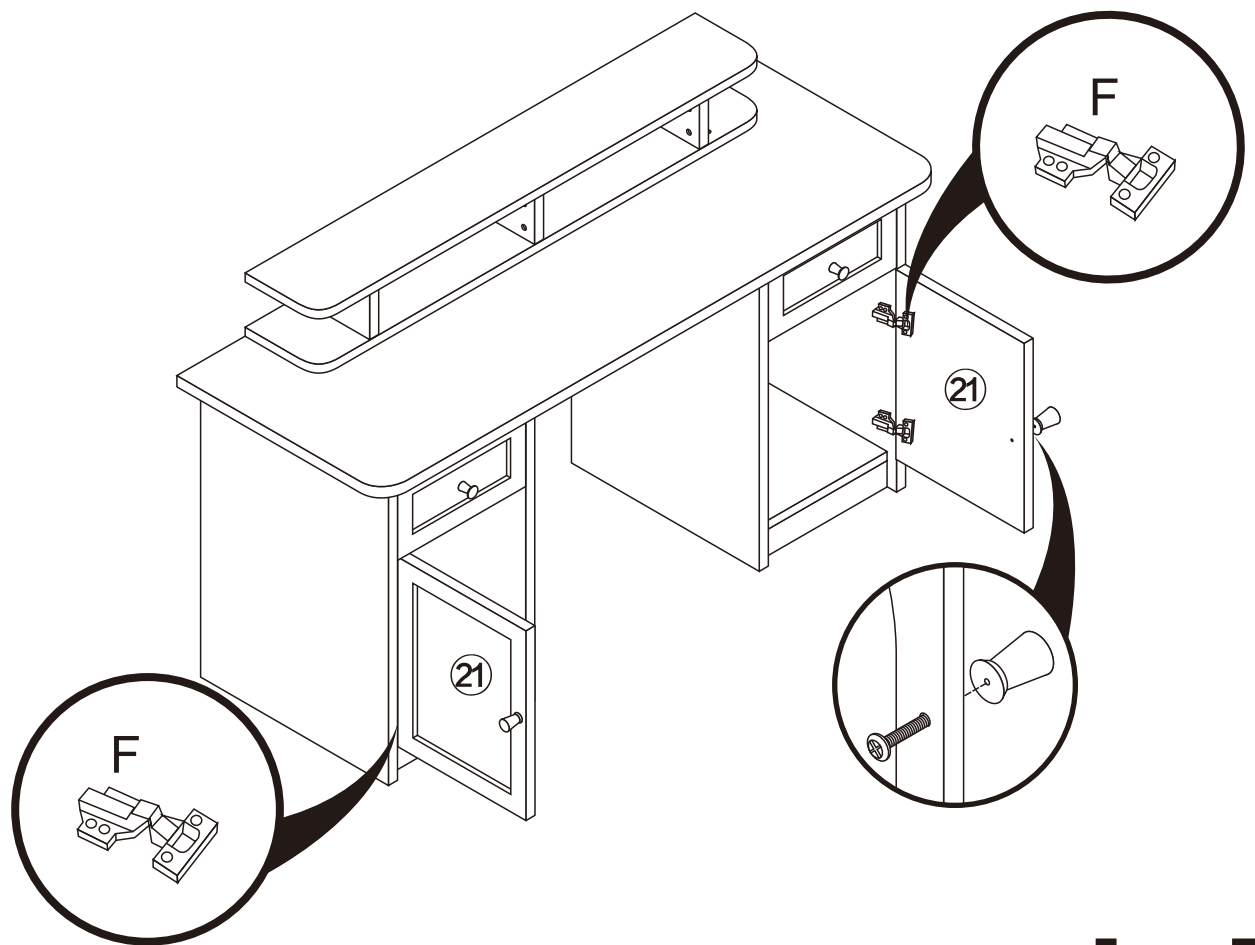
C	8PCS	D₂	4PCS	I	2PCS	J	2PCS
3.5*14mm		Three-section Rail		4*18mm			

13



E	8PCS
Φ5*8mm	





OK!

C	8PCS	F	4PCS	G	16PCS	I	2PCS	J	2PCS
3.5*14mm				4*12mm		4*18mm			

