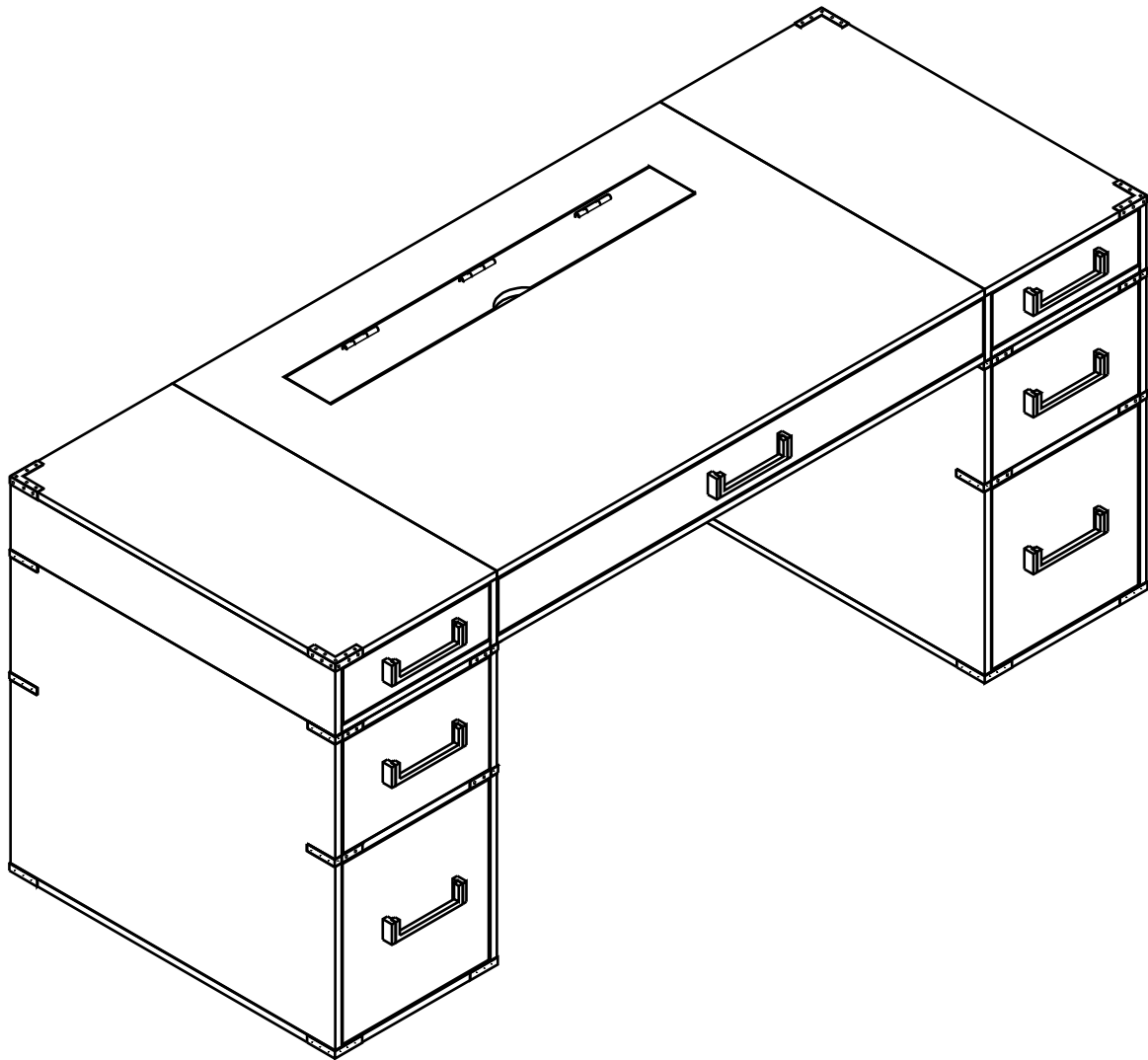


Desk

Assembly Instruction- Please keep for future reference



Dimensions

Width-70inch

Depth-28inch

Height-30inch

Important-Please read these instructions fully before starting assembly



Safety and Care Advice

Important – Please read these instructions fully before starting assembly

- Check you have all the components and tools listed on the following pages.
- Remove all fittings from the plastic bags and separate them into their groups.
- Keep children and animals away from the work area, small parts could choke if swallowed.
- Make sure you have enough space to layout the parts before starting.

- During assembly do not stand or put weight on the product, this could cause damage.
- Assemble the item as close to its final position (in the same room) as possible.
- Assemble on a soft level surface to avoid damaging the unit or your floor.
- Parts of the assembly will be easier with 2 people.



- To reduce the likelihood of damaging your product please ensure that your power drill is set on a low torque setting.

Care and maintenance

- Only clean using a damp cloth and mild detergent, do not use bleach or abrasive cleaners.
- From time to time check that there are no loose screws on this unit.
- This product should not be discarded with household waste. Take to your local authority waste disposal centre.

Handy Hints

- Assemble all parts and bolts loosely during assembly, only once the product is complete should you fully tighten the bolts
- Regularly check and ensure that all bolts and fittings are tightened properly.

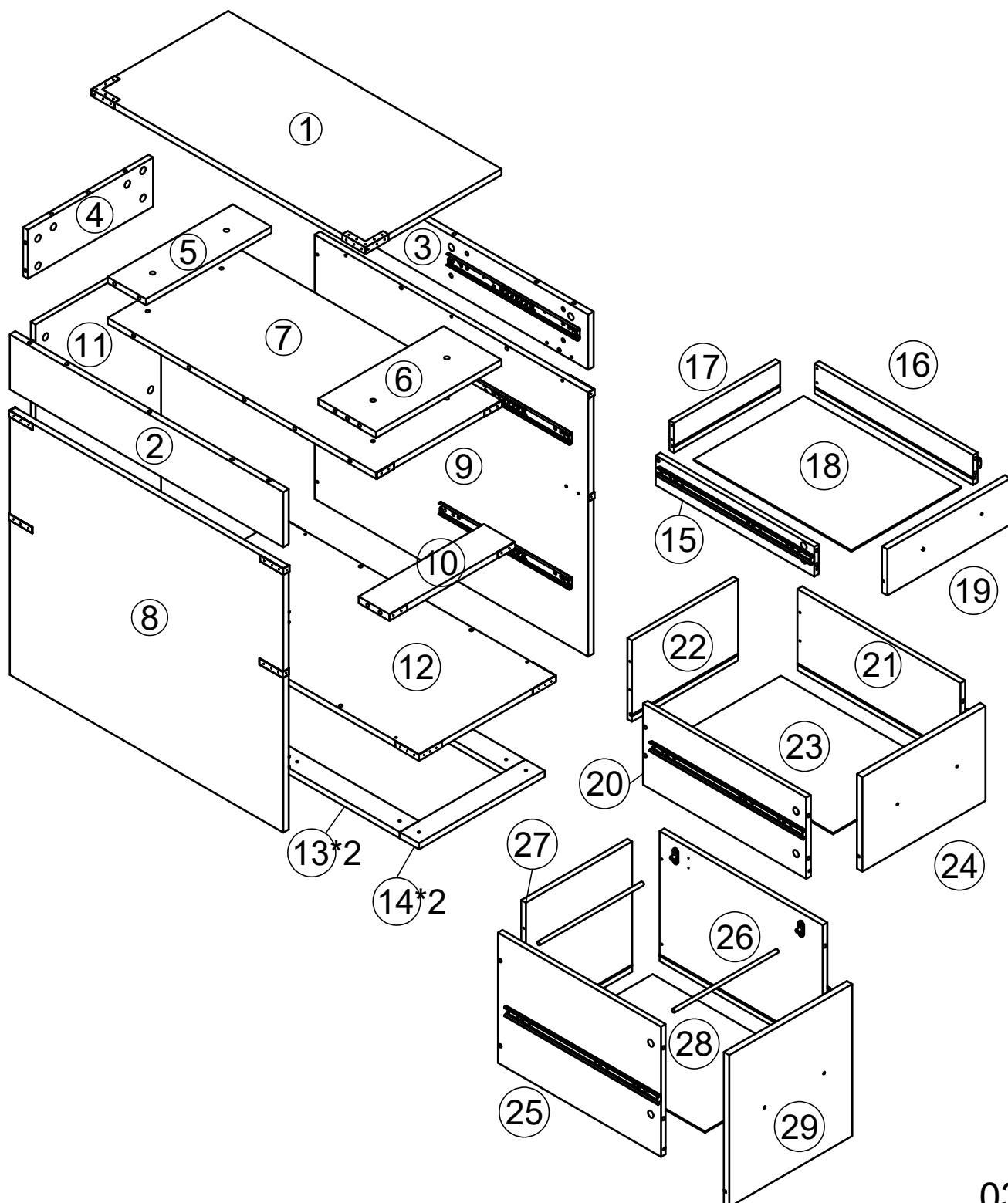
WARNING In order to help prevent overturning – please follow these instructions

To help prevent product toppling over please follow the below steps:-

- Use the anti tip stap or wall fixing method provided (if applicable)
- Do not allow children to climb or hang on the furniture
- Do not open more than one drawer at a time
- Do not place heavy items in the top drawers
- Do not place heavy items on top of the furniture, unless the furniture has been designed for this purpose

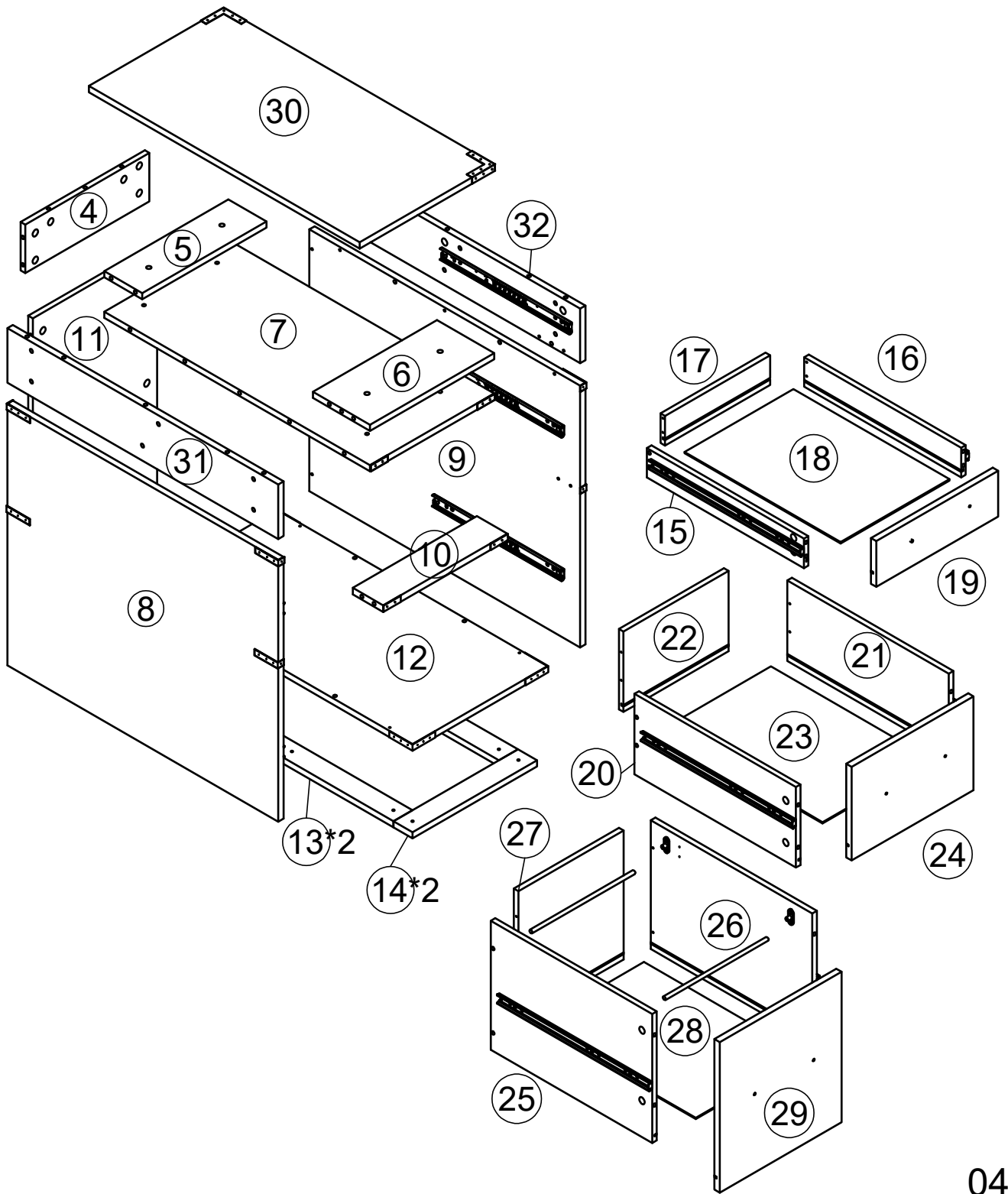
PART LIST

BOX:1/3



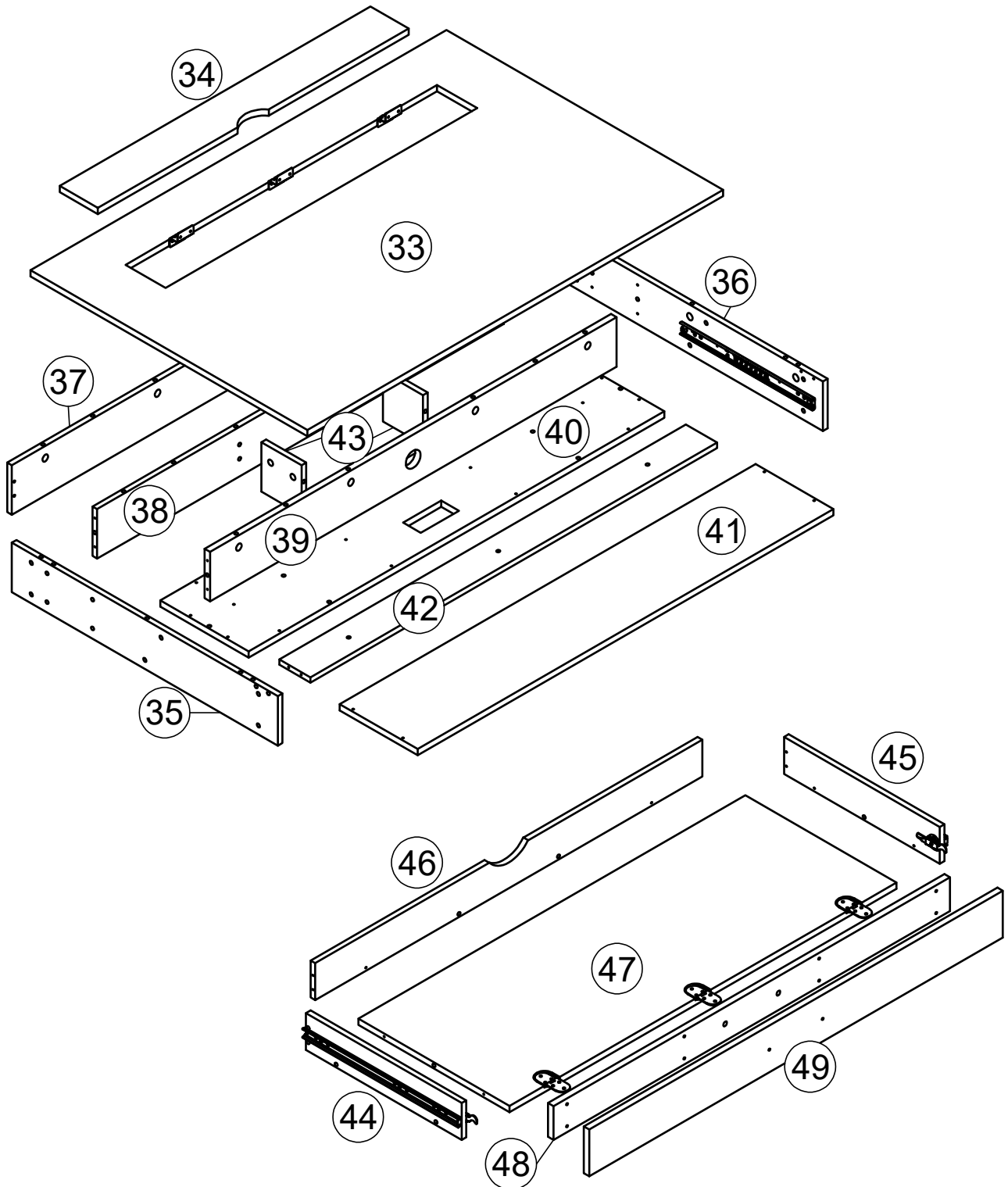
PART LIST

BOX:2/3

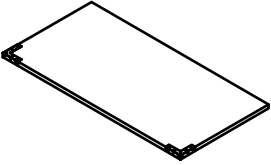
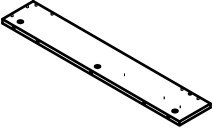
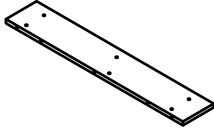
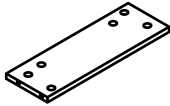
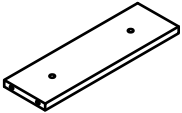
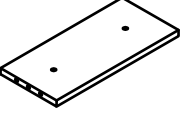
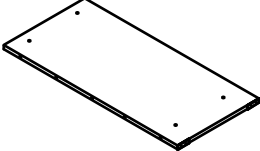
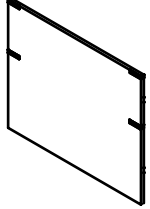
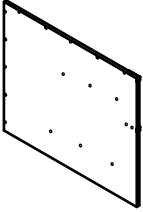
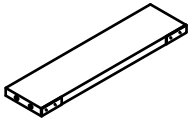
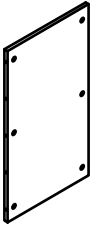
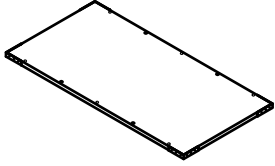
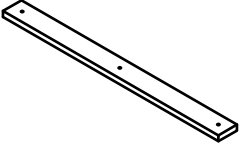
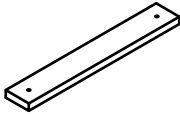
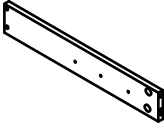
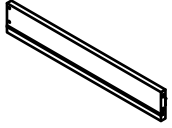
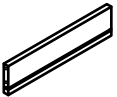
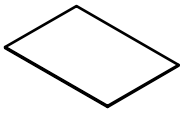
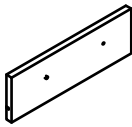


PART LIST

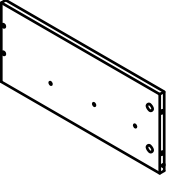
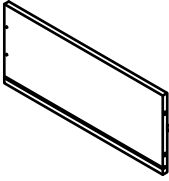
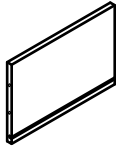
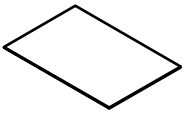
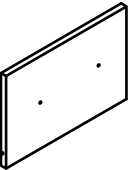
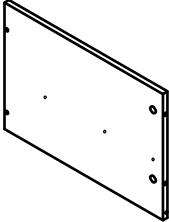
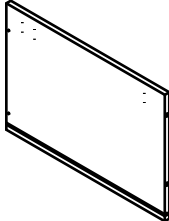
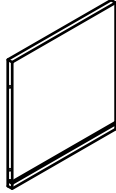
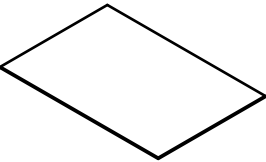
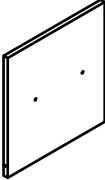
BOX:3/3



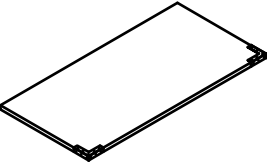
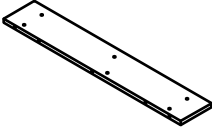
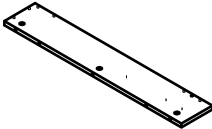
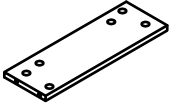
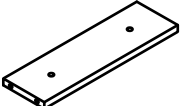
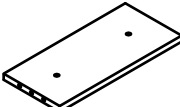
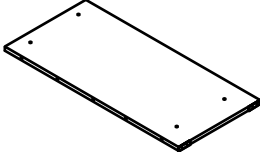
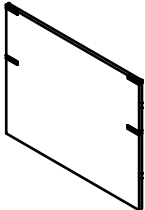
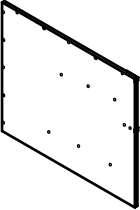
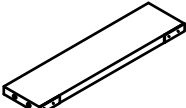
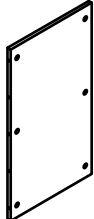
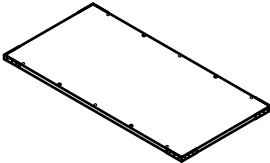
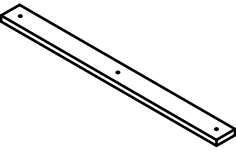

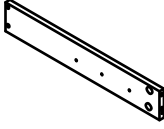
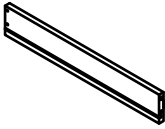
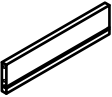
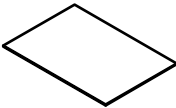
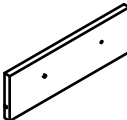
PART LIST

01  1PC	02  1PC	03  1PC	04  1PC
05  1PC	06  1PC	07  1PC	08  1PC
09  1PC	10  1PC	11  1PC	12  1PC
13  2PCS	14  2PCS	15  1PC	16  1PC
17  1PC	18  1PC	19  1PC	

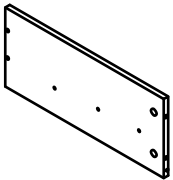
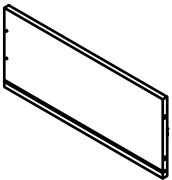
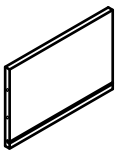
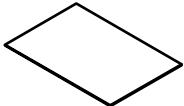
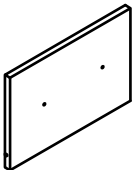
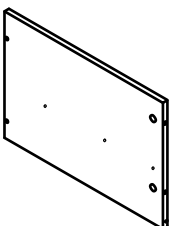
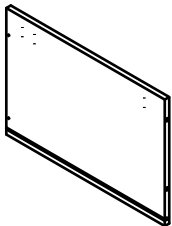
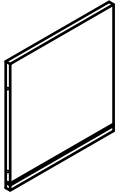
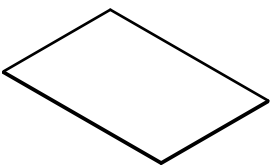
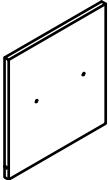
PART LIST

<p>②① 1PC</p> 	<p>②② 1PC</p> 	<p>②③ 1PC</p> 	<p>②④ 1PC</p> 
<p>②⑤ 1PC</p> 	<p>②⑥ 1PC</p> 	<p>②⑦ 1PC</p> 	<p>②⑧ 1PC</p> 
<p>②⑨ 1PC</p> 	<p>②⑩ 1PC</p> 		

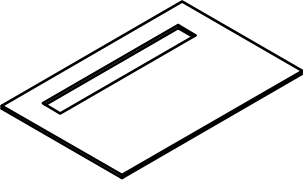
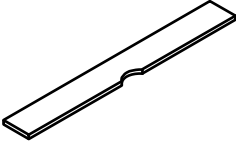
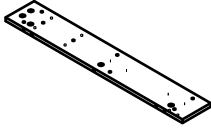
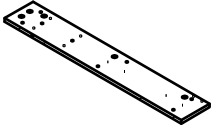
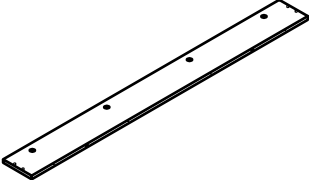
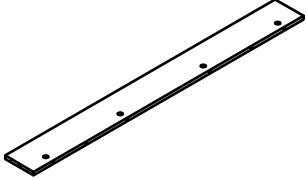
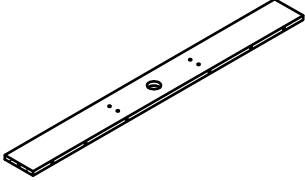
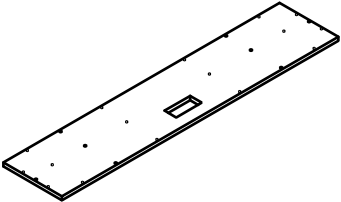
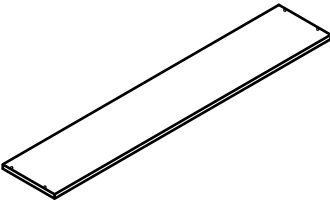
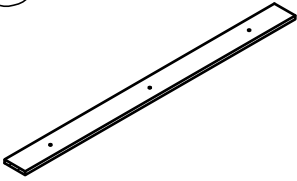
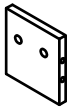
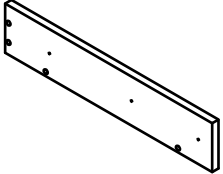
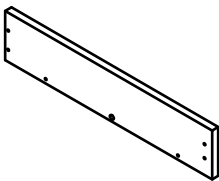
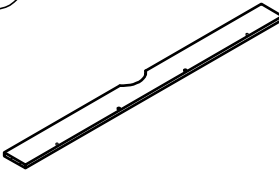
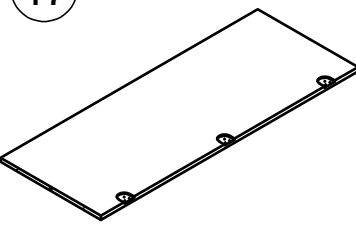
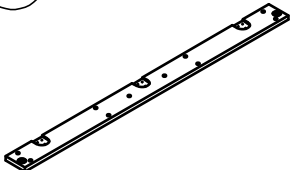
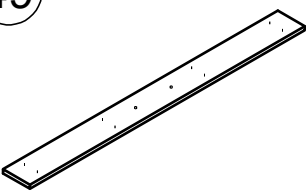
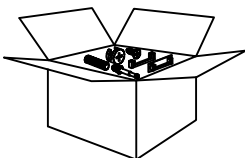
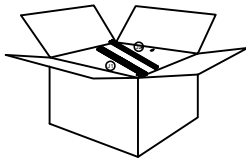
PART LIST

<p>③① 1PC</p> 	<p>③② 1PC</p> 	<p>③③ 1PC</p> 	<p>①④ 1PC</p> 
<p>①⑤ 1PC</p> 	<p>①⑥ 1PC</p> 	<p>①⑦ 1PC</p> 	<p>①⑧ 1PC</p> 
<p>①⑨ 1PC</p> 	<p>①⑩ 1PC</p> 	<p>①⑪ 1PC</p> 	<p>①⑫ 1PC</p> 
<p>①⑬ 2PCS</p> 	<p>①⑭ 2PCS</p> 	<p>①⑮ 1PC</p> 	<p>①⑯ 1PC</p> 
<p>①⑰ 1PC</p> 	<p>①⑱ 1PC</p> 	<p>①⑲ 1PC</p> 	

PART LIST

<p>②① 1PC</p> 	<p>②② 1PC</p> 	<p>②③ 1PC</p> 	<p>②④ 1PC</p> 
<p>②⑤ 1PC</p> 	<p>②⑥ 1PC</p> 	<p>②⑦ 1PC</p> 	<p>②⑧ 1PC</p> 
<p>②⑨ 1PC</p> 	<p>③① 1PC</p> 		

PART LIST

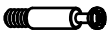


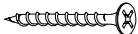
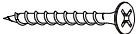
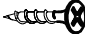
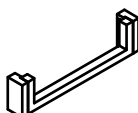


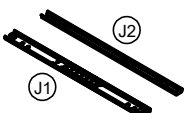


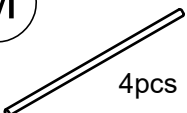
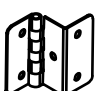



<p>33 1PC</p> 	<p>34 1PC</p> 	<p>35 1PC</p> 	<p>36 1PC</p> 
<p>37 1PC</p> 	<p>38 1PC</p> 	<p>39 1PC</p> 	<p>40 1PC</p> 
<p>41 1PC</p> 	<p>42 1PC</p> 	<p>43 2PCS</p> 	<p>44 1PC</p> 
<p>45 1PC</p> 	<p>46 1PC</p> 	<p>47 1PC</p> 	<p>48 1PC</p> 
<p>49 1PC</p> 	<p>HARDWARE</p> 		

HARDWARE LIST

Please check you have all the panels listed below

Note:the quantities below are the correct amount to complete the assembly. In some cases, more fittings may be supplied than required.

BOX:3/3

<p>A</p>  <p>Cam Bolt 122pcs</p>	<p>B</p>  <p>Cam Lock 122pcs</p>	<p>C</p>  <p>Ø8x40 Dowel 68 pcs</p>	<p>D</p>  <p>#3.5x35mm Screw 78pcs</p>
<p>E</p>  <p>#3.5x20mm Screw 31pcs</p>	<p>F</p>  <p>#3.5x12mm Screw 153pcs</p>	<p>G</p>  <p>Handle 7pcs</p>	<p>H</p>  <p>M4x25mm Screw 14pcs</p>
<p>I</p>  <p>20pcs</p>	<p>J</p>  <p>Drawer slide 14pcs</p>	<p>K</p>  <p>2pcs</p>	<p>L</p>  <p>8pcs</p>
<p>M</p>  <p>4pcs Ø4x265mm Round Bar</p>	<p>N</p>  <p>Hinge 03 pcs</p>	<p>O</p>  <p>Hinge 03 pcs</p>	<p>P</p>  <p>1pc</p>
<p>Q</p>  <p>1pc Tool Not Supplied</p>			

Before Installation

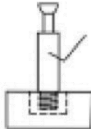
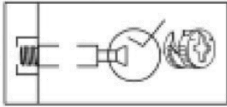
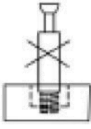
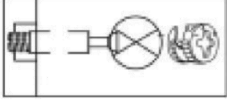
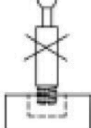
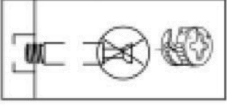
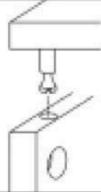
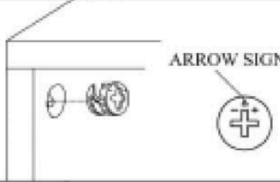
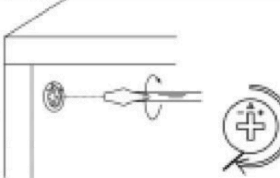
Important - Please read these instructions fully before starting assembly

Thank you for purchasing this quality product. Be sure to check all packing materials carefully for small parts, which may have come loose inside the carton during shipment. Identify and count all items according to the PARTS LIST and/or HARDWARE LIST shown below. Check you have all the components and tools listed on the following pages.

- . We recommend that you assemble this product with the assistance of another person; this will make the assembly easier, and will help eliminate damage to the product or injury to persons during assembly.
- . Please do not over tighten screws or bolts until the assembly is completed.
- . Keep children and animal away from the work area, small parts could choke if swallowed.
- . Please put all parts on a non-abrasive floor before assembly, and follow the assembly steps to assemble your newly purchased product correctly and efficiently.

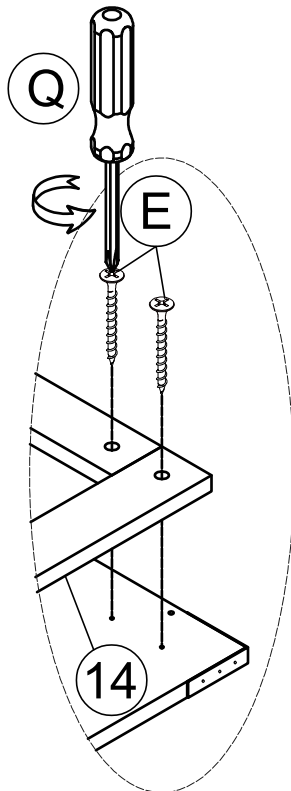
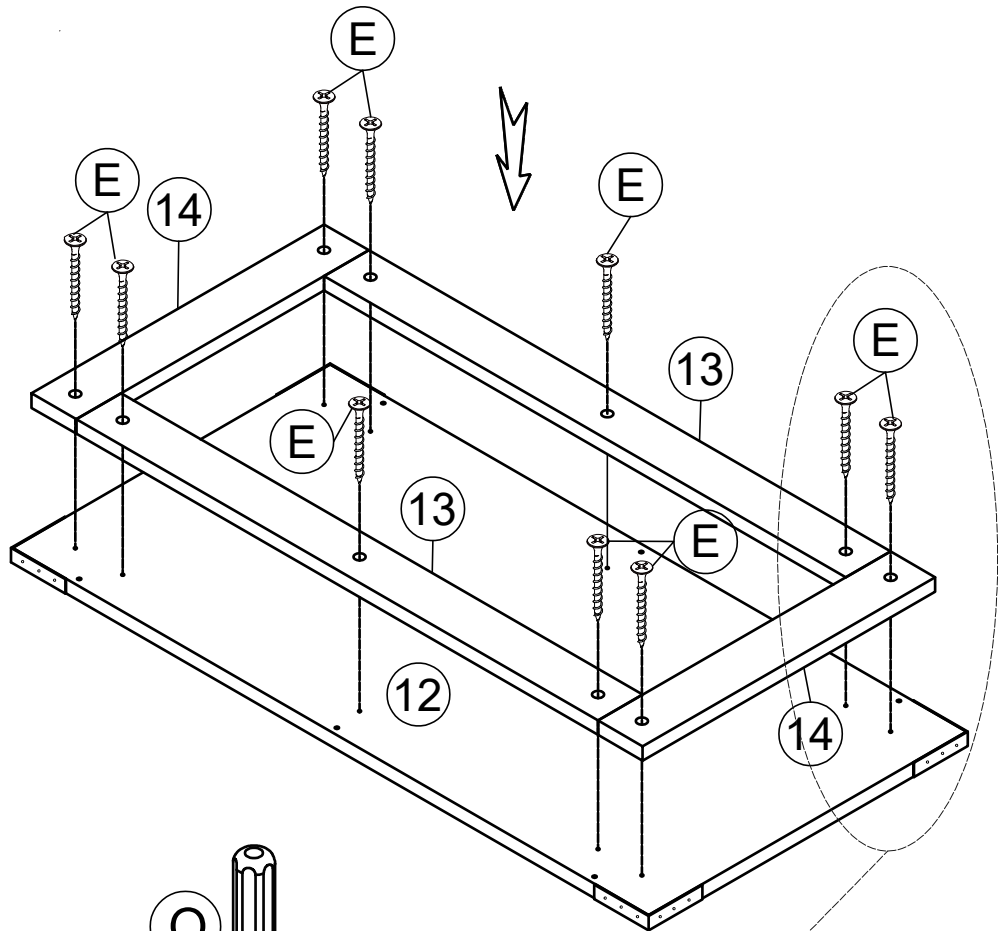
If you find that you have any trouble with assembly or missing or damaged parts please contact the seller.

Cam Lock Assembly Instructions

		Diagram A Insert Cam Bolt into hole as shown in diagram A.
		Diagram B Make sure not to insert the Cam Bolt: Too deep as shown in figure B as this will cause the Cam Lock to be misaligned and unable to interlock properly.
		Diagram C Also avoid inserting the Cam Bolt too close to the surface of the hole as shown in figure C, as this will cause the Cam Lock to be too loose, and not interlock properly.
		Connect the panels together.
		ARROW SIGN Insert the Cam Lock so the side opening fits over the head of the Cam Bolt.
		To tighten the Cam Lock, turn it clockwise on half a turn with a flat screwdriver. <i>*Do not use an automatic screwdriver as it may bend or break if too much power is imposed.</i>

STEP 1

X2

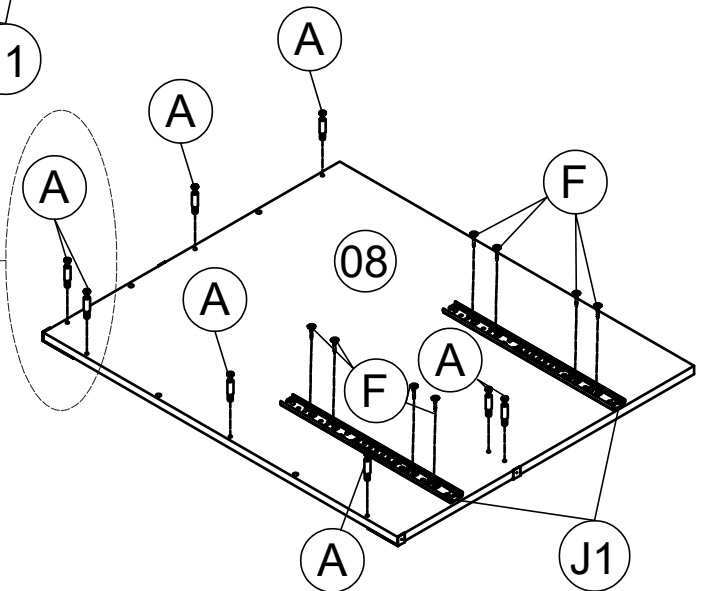
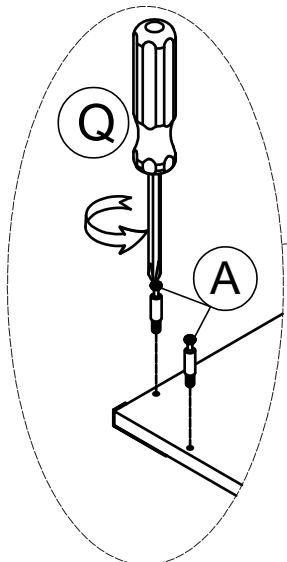
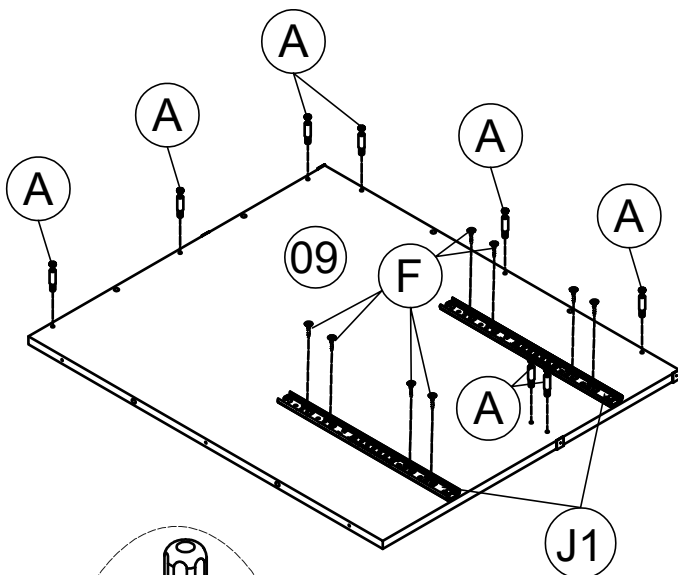
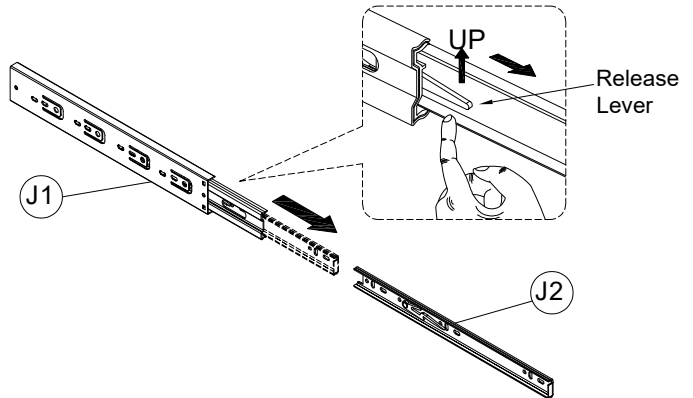
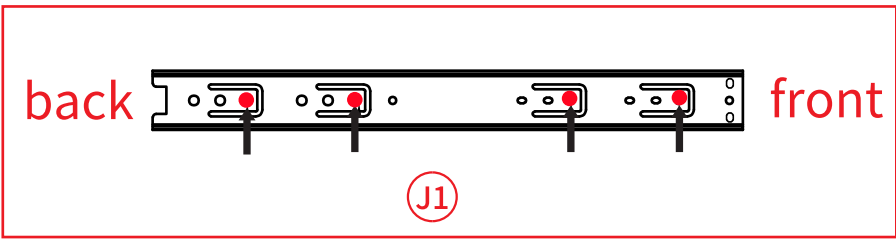


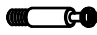
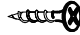

E

#3.5x20mm Screw 20 pcs

STEP 2

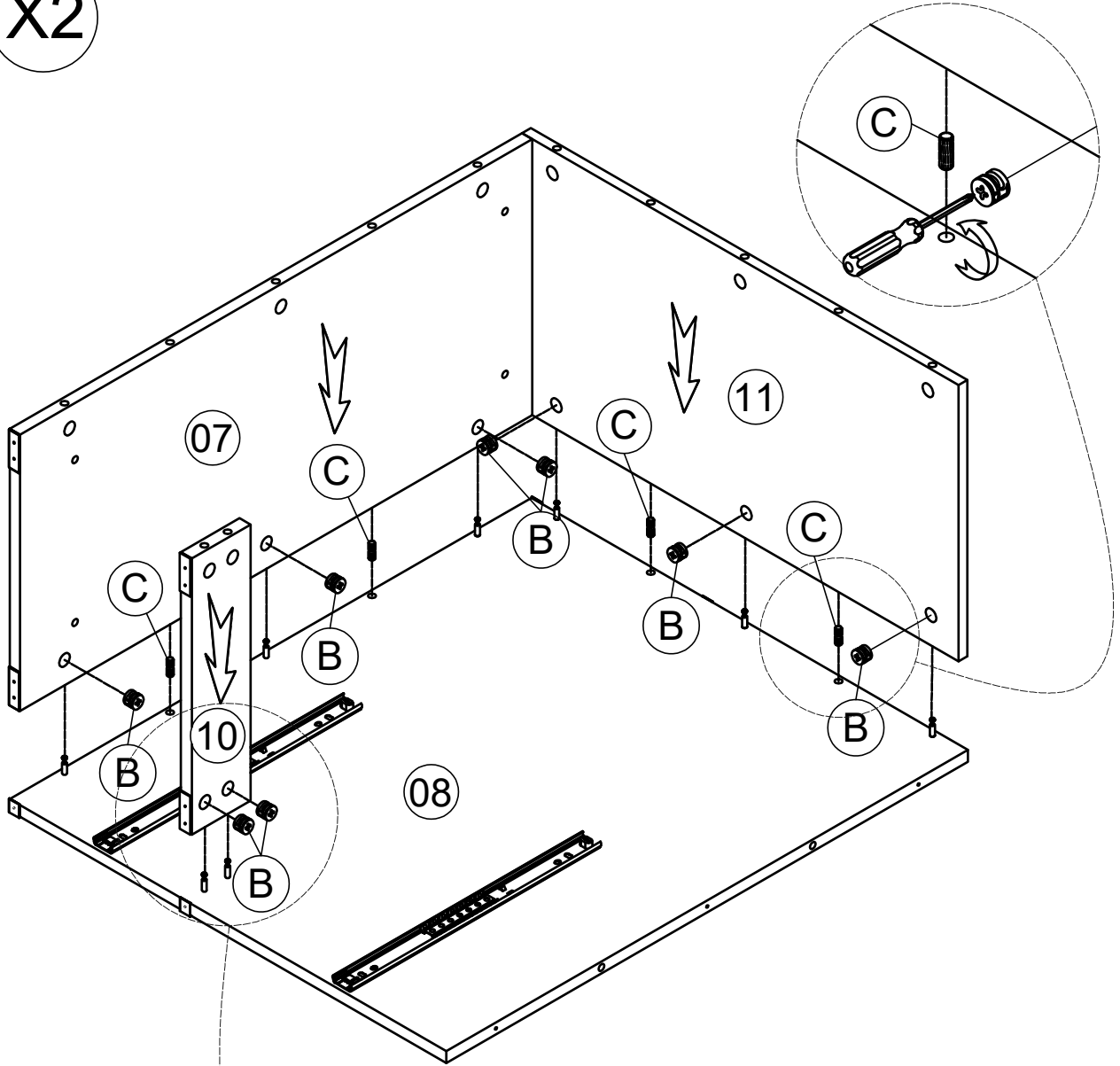
X2





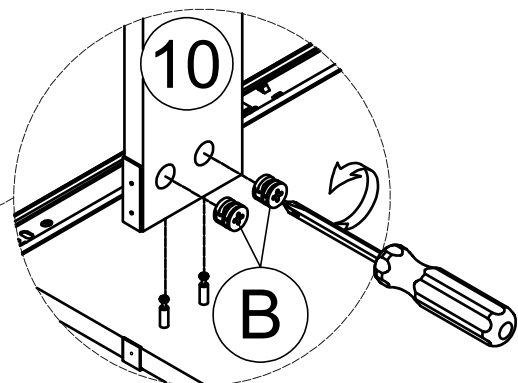
<p>A</p>  <p>Cam Bolt 32 pcs</p>	<p>F</p>  <p>#3.5x12mm Screw 32pcs</p>	<p>J1</p>  <p>Drawer slide 8pcs</p>
---	---	---

STEP 3

X2

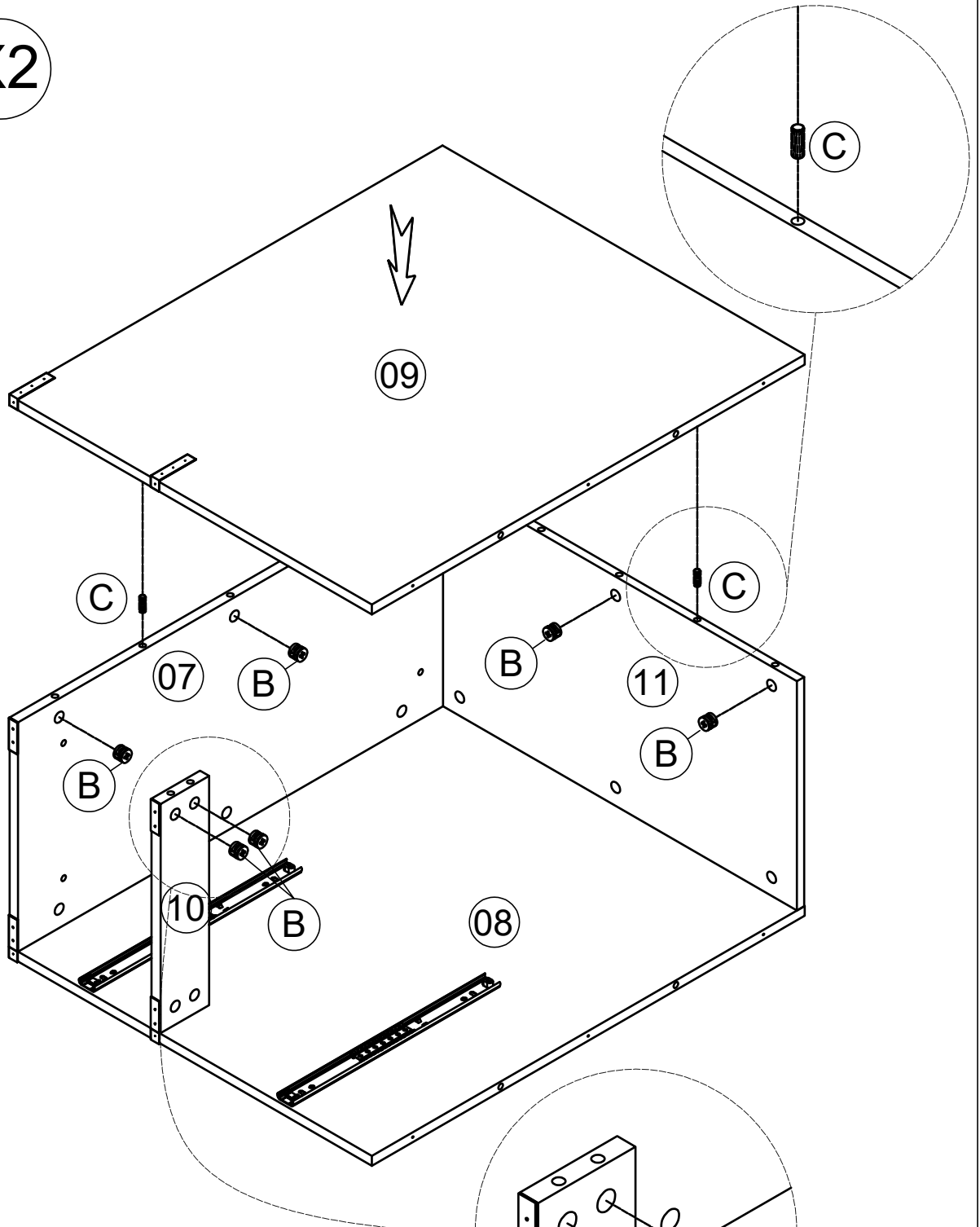




<p>B</p>  <p>Cam Lock 16pcs</p>	<p>C</p>  <p>Ø8x40 Dowel 8 pcs</p>
---	--

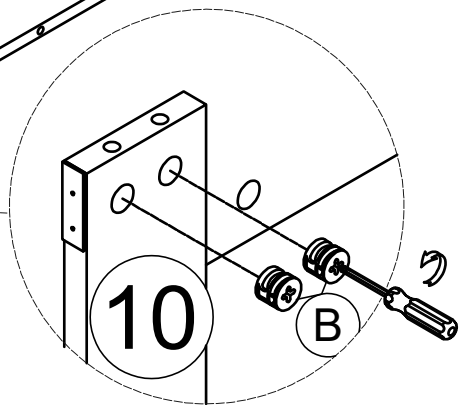


STEP 4

X2

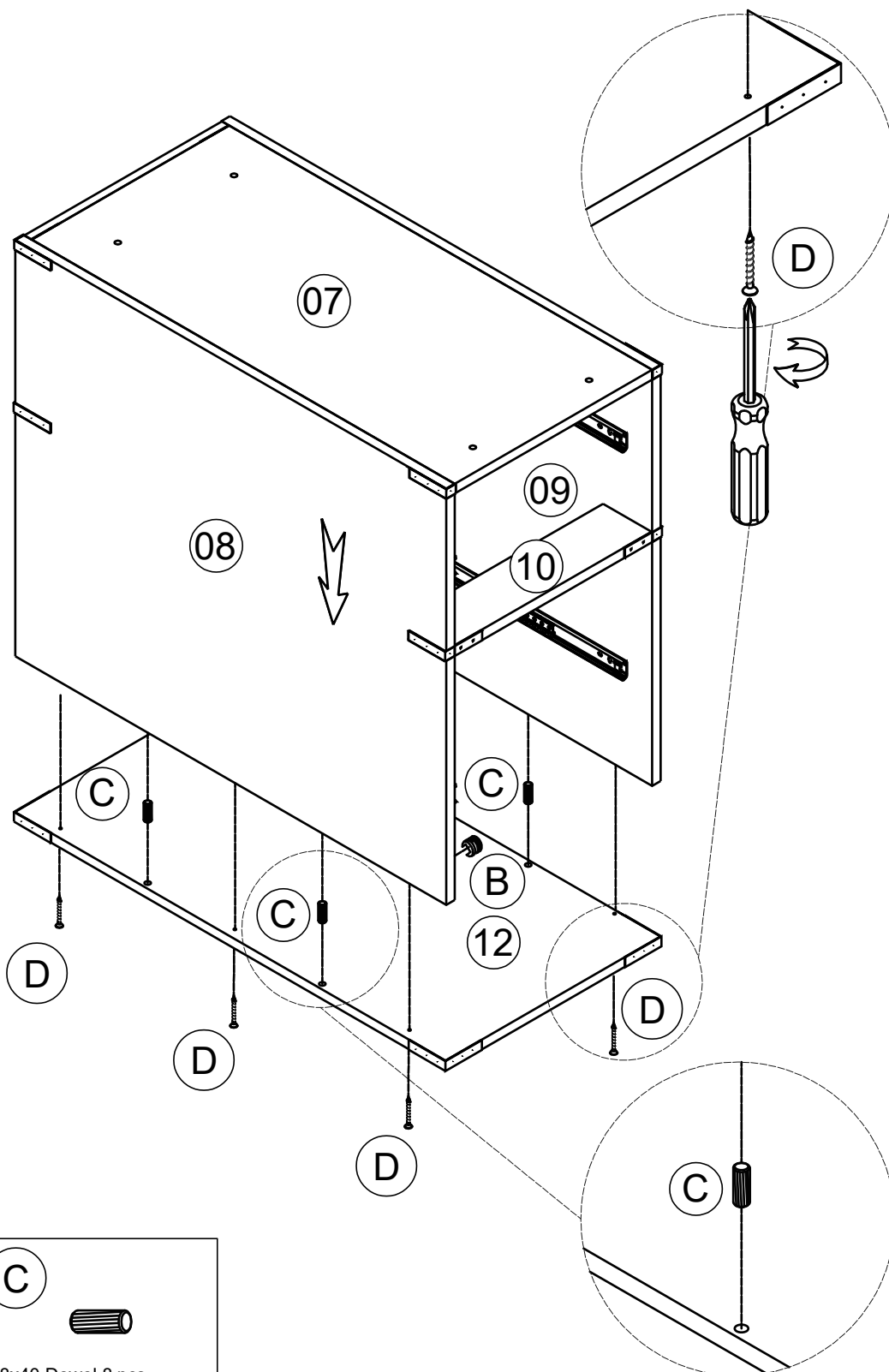


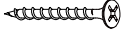

<p>B</p>  <p>Cam Lock 16 pcs</p>	<p>C</p>  <p>Ø8x40 Dowel 8pcs</p>
--	---



STEP 5

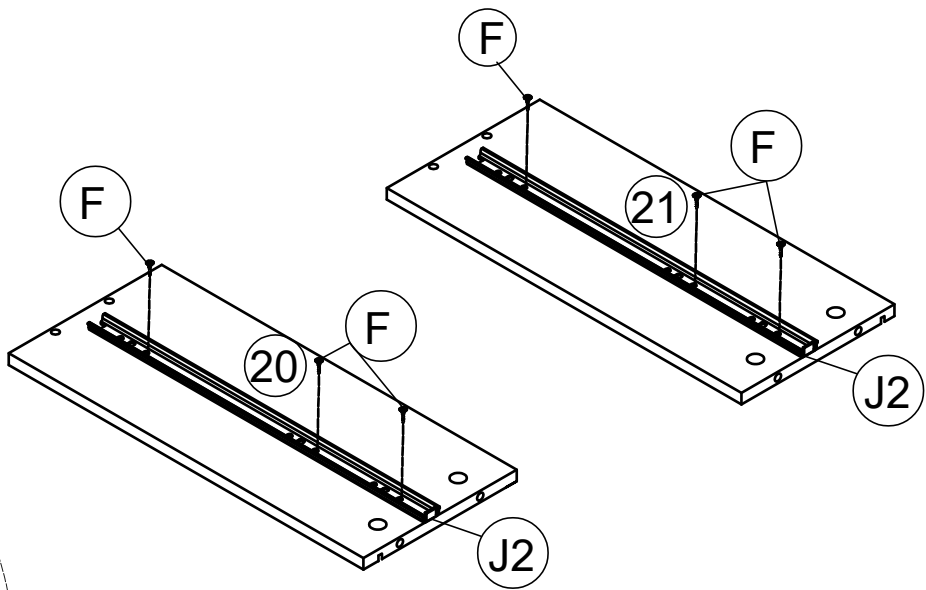
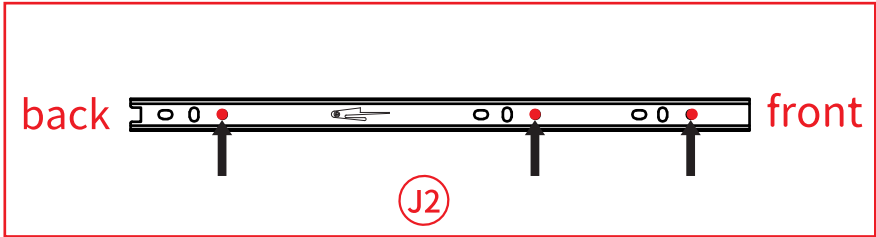
X2



<p>D</p>  <p>#3.5x35mm Screw 12 pcs</p>	<p>C</p>  <p>Ø8x40 Dowel 8 pcs</p>
---	--

STEP 6

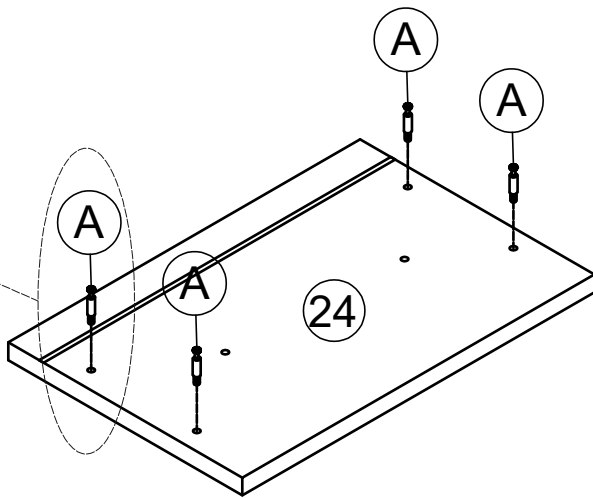
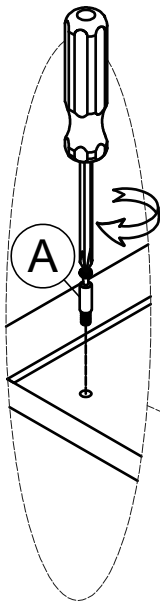
X2

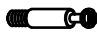
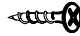



1



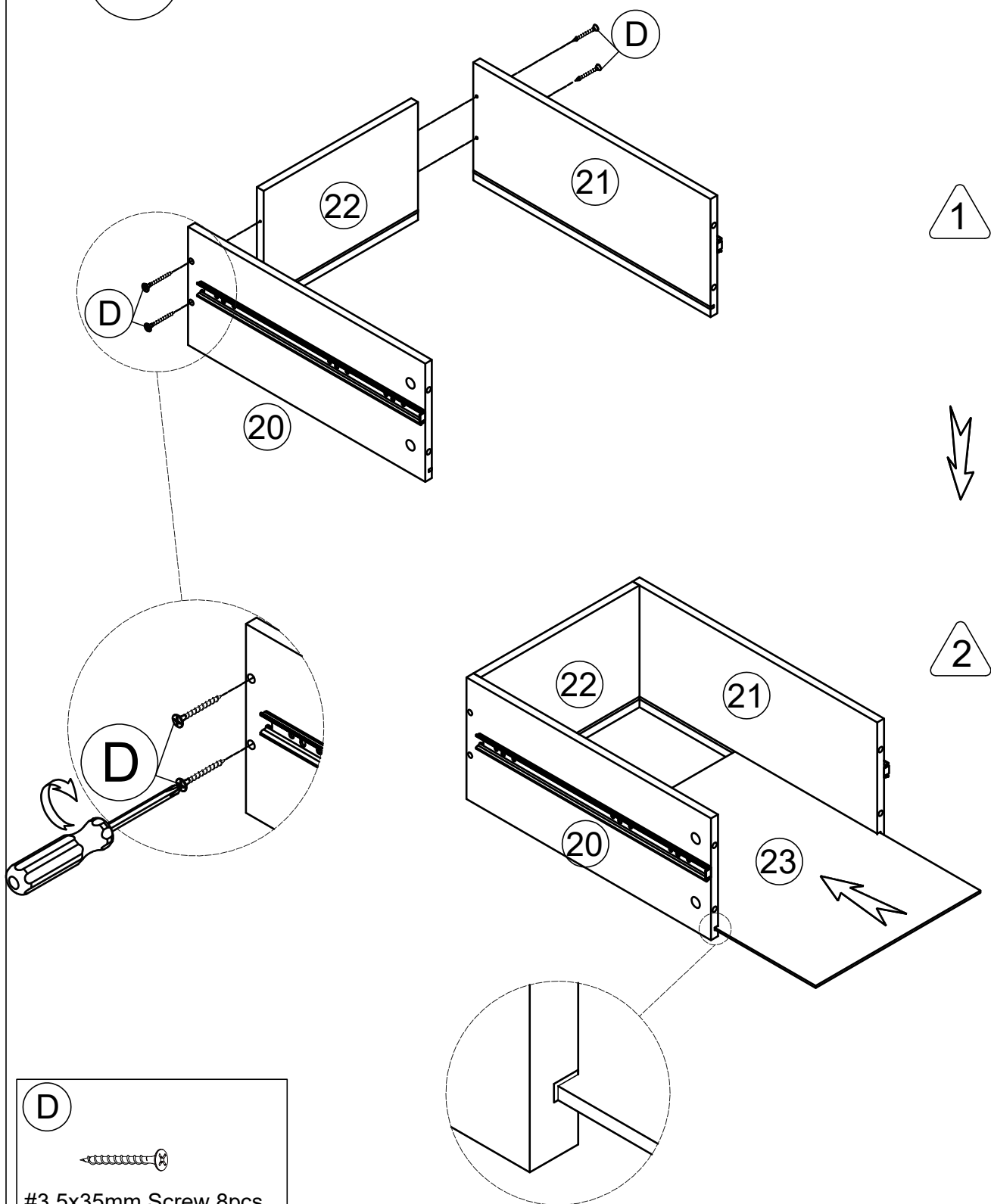
2



<p>(A)</p>  <p>Cam Bolt 8pcs</p>	<p>(F)</p>  <p>#3.5x12mm Screw 12pcs</p>	<p>(J2)</p>  <p>Drawer slide 4pcs</p>
---	---	---

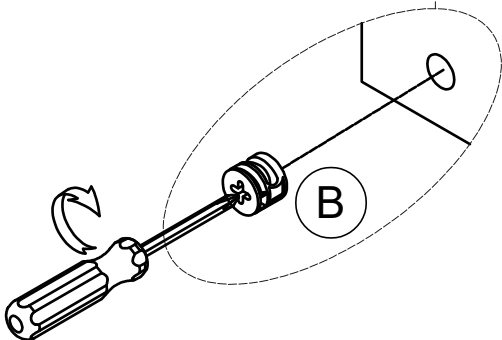
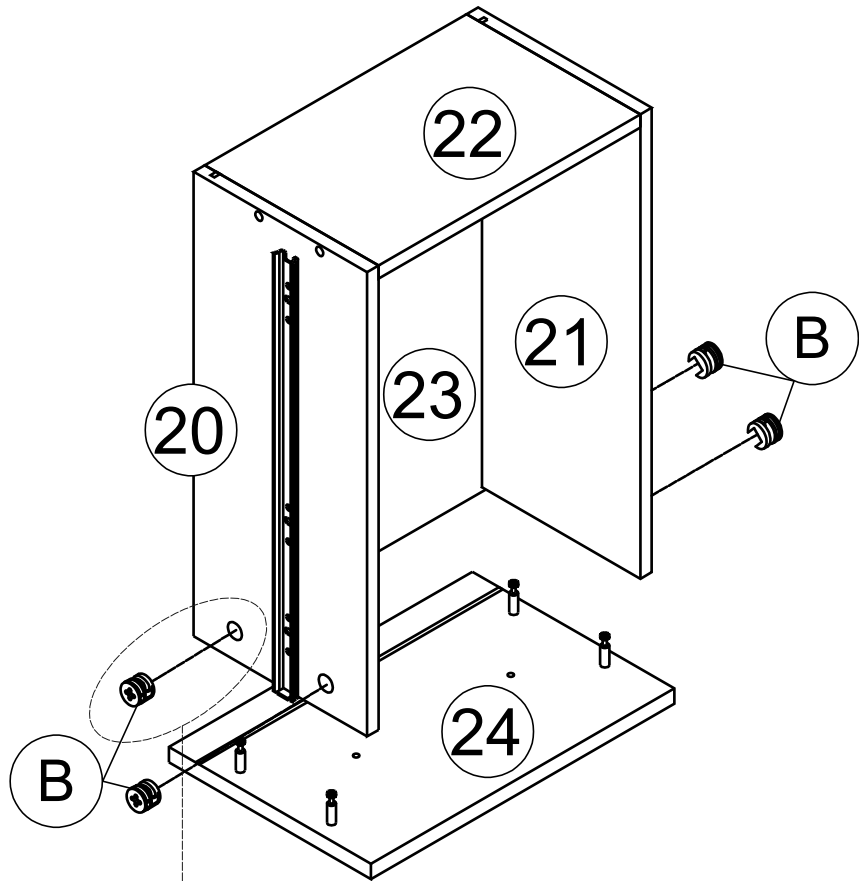
STEP 7

X2



STEP 8

X2

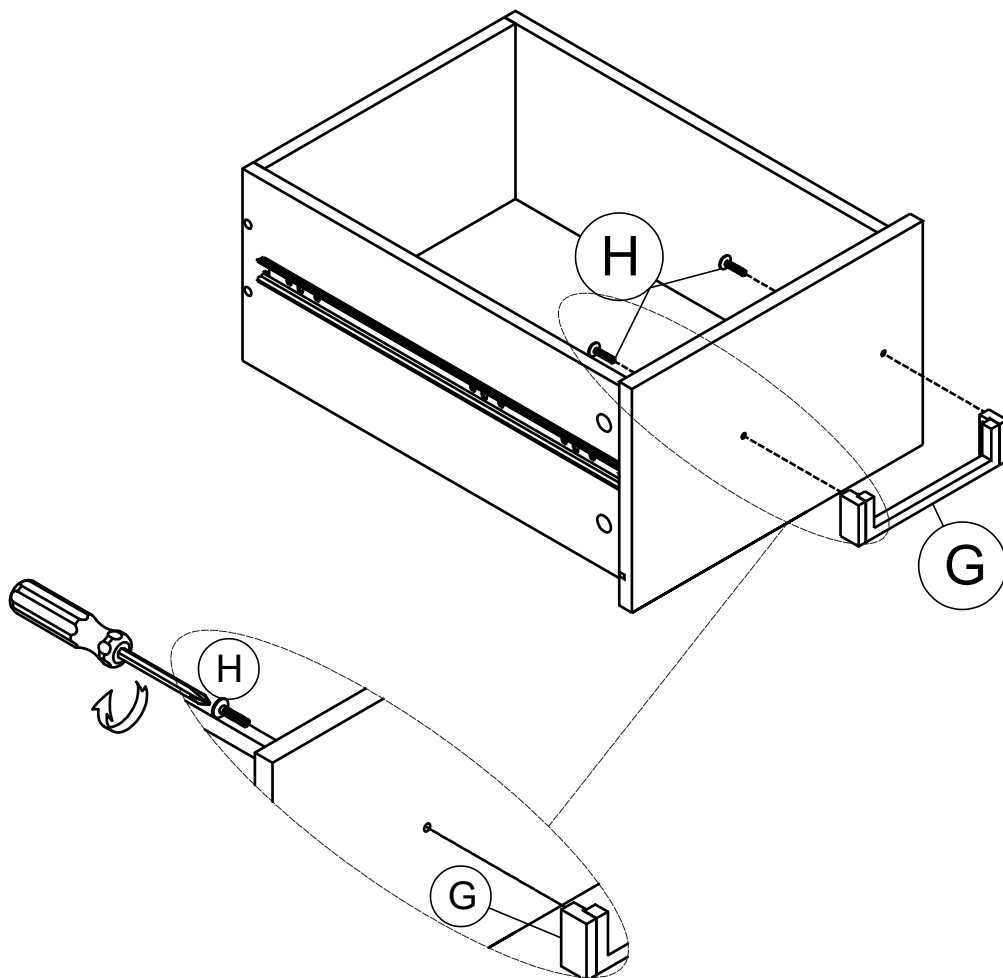
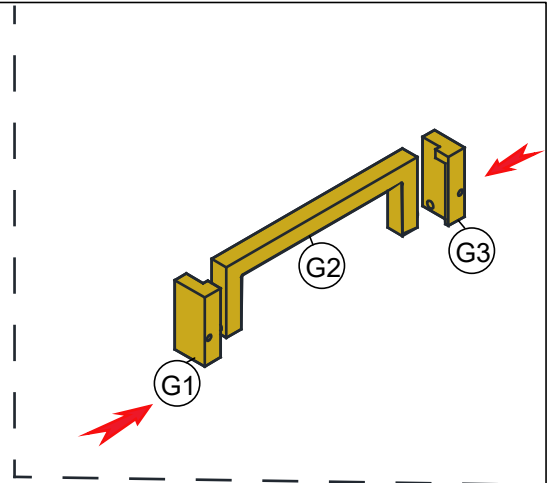



B

Cam Lock 8pcs

STEP 9

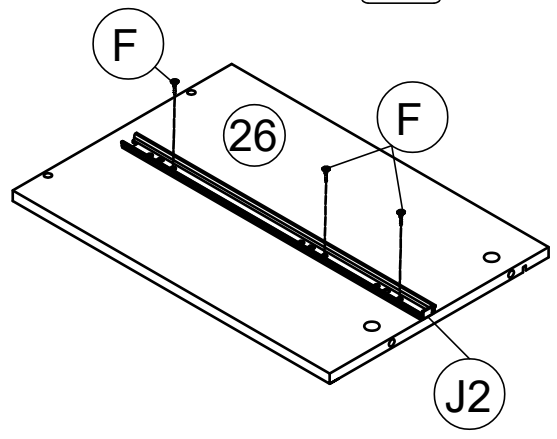
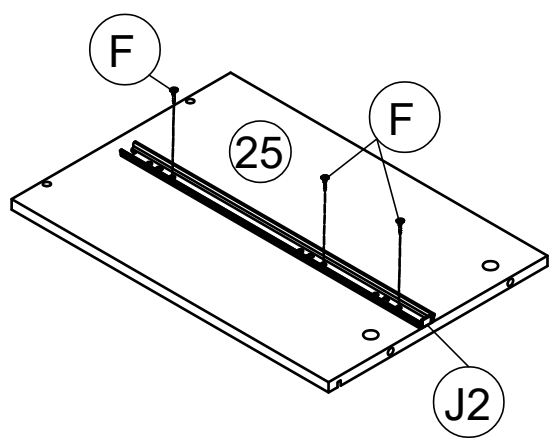
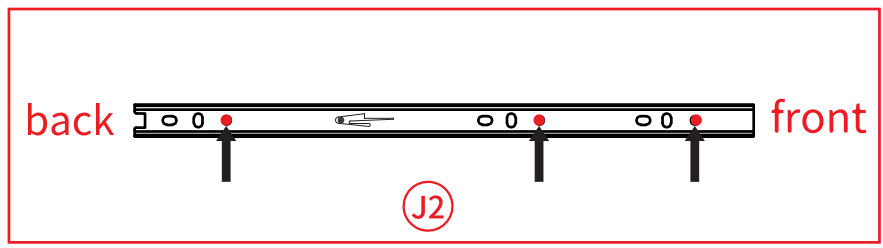
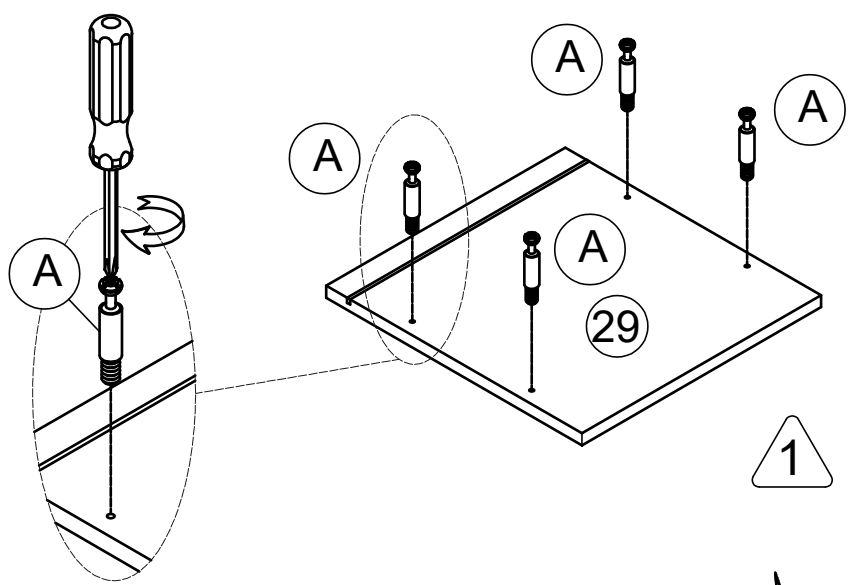
X2

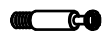




<p>H</p>  <p>M4x25mm Screw 4pcs</p>	<p>G</p>  <p>Handle 2pcs</p>
---	--

STEP 10

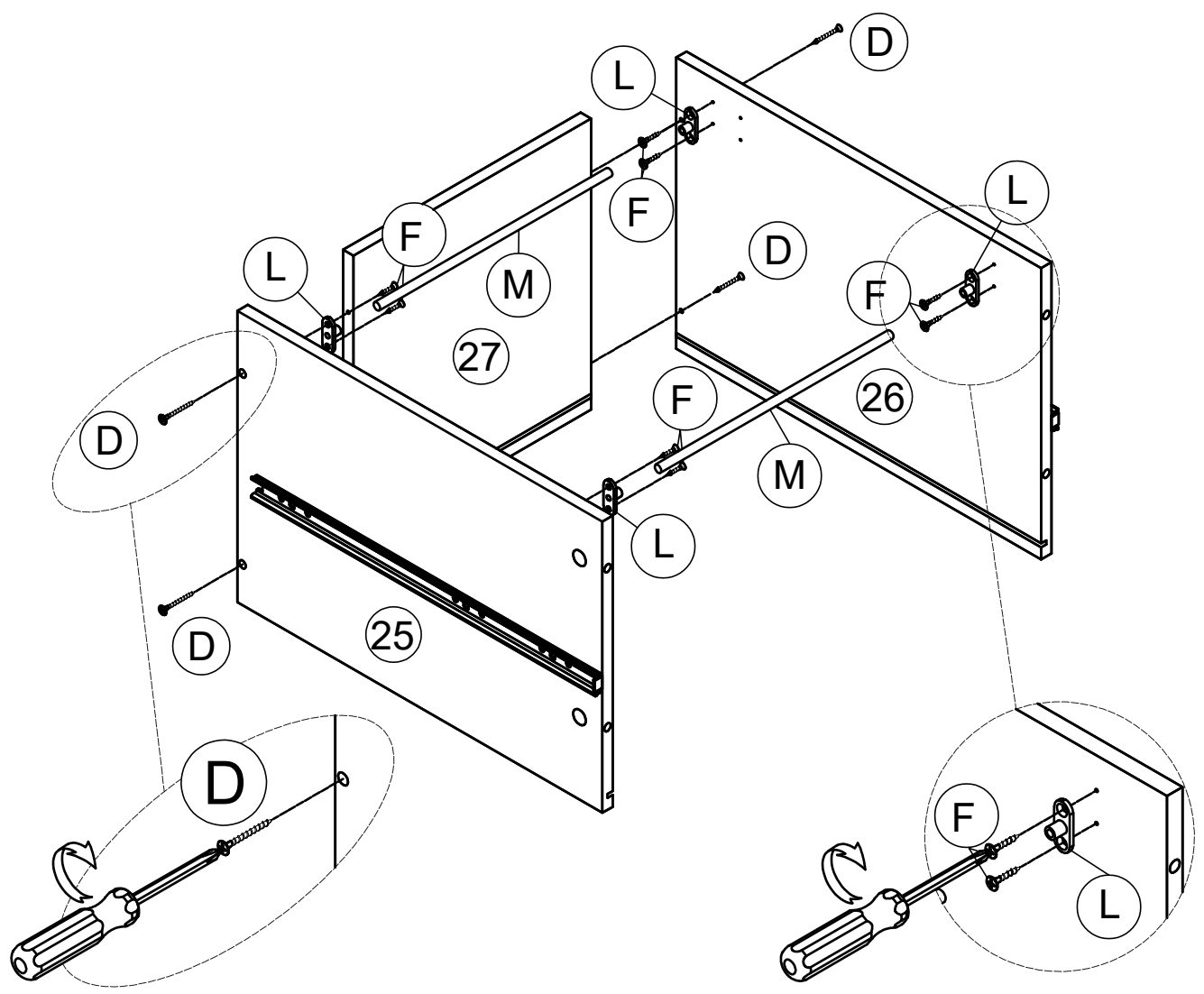
X2


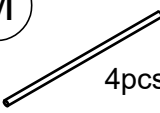
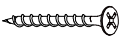



<p>A</p>  <p>Cam Bolt 8pcs</p>	<p>F</p>  <p>#3.5x12mm Screw 12 pcs</p>	<p>J2</p>  <p>Drawer slide 4pcs</p>
--	---	--

STEP 11

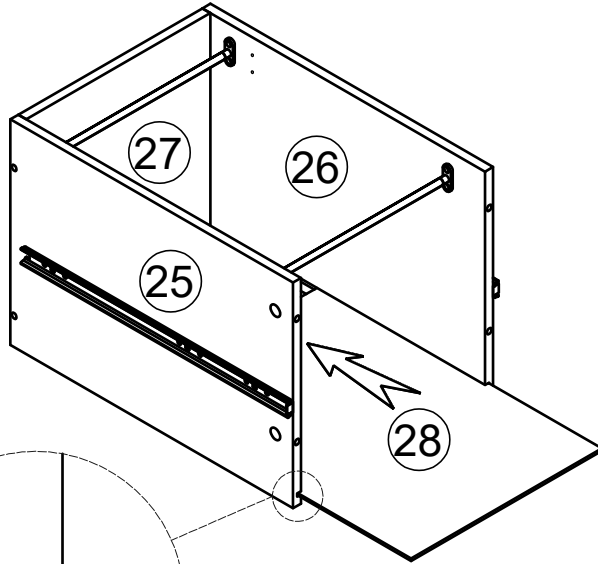
X2



<p>L</p>  <p>8pcs</p>	<p>M</p>  <p>4pcs Ø4x265mm Round Bar</p>	<p>D</p>  <p>#3.5x35mm Screw 8pcs</p>	<p>F</p>  <p>#3.5x12mm Screw 16 pcs</p>
---	--	---	---

STEP 12

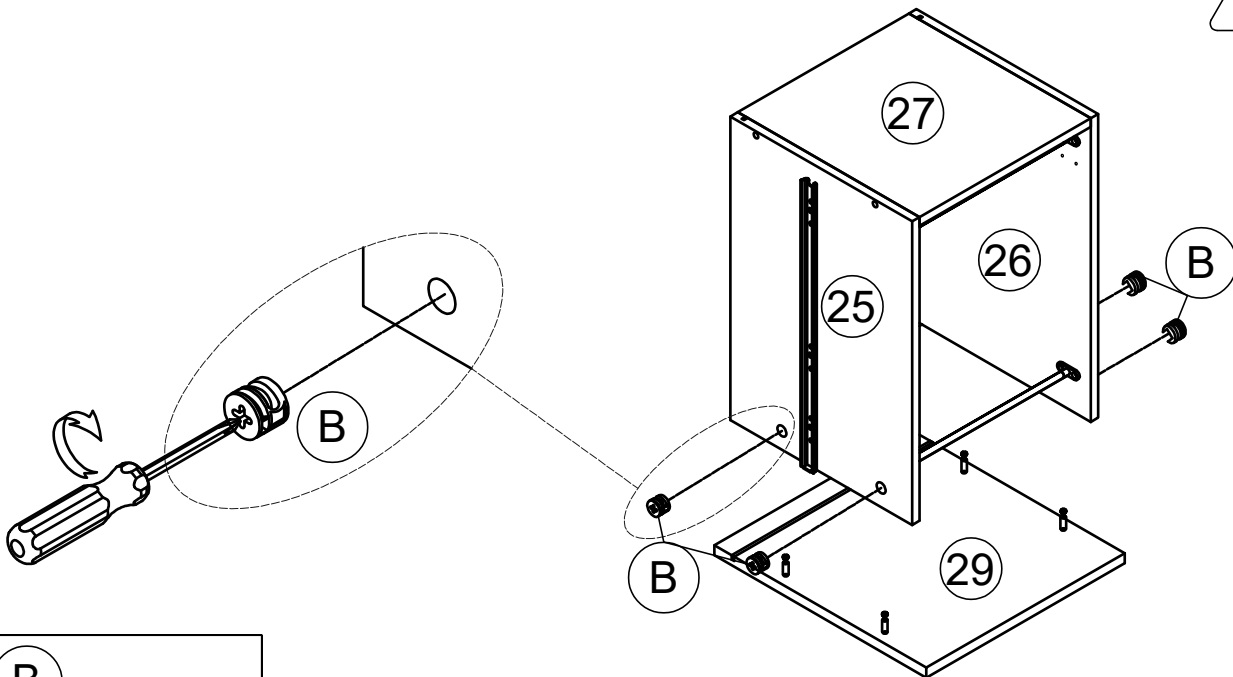
X2




1



2



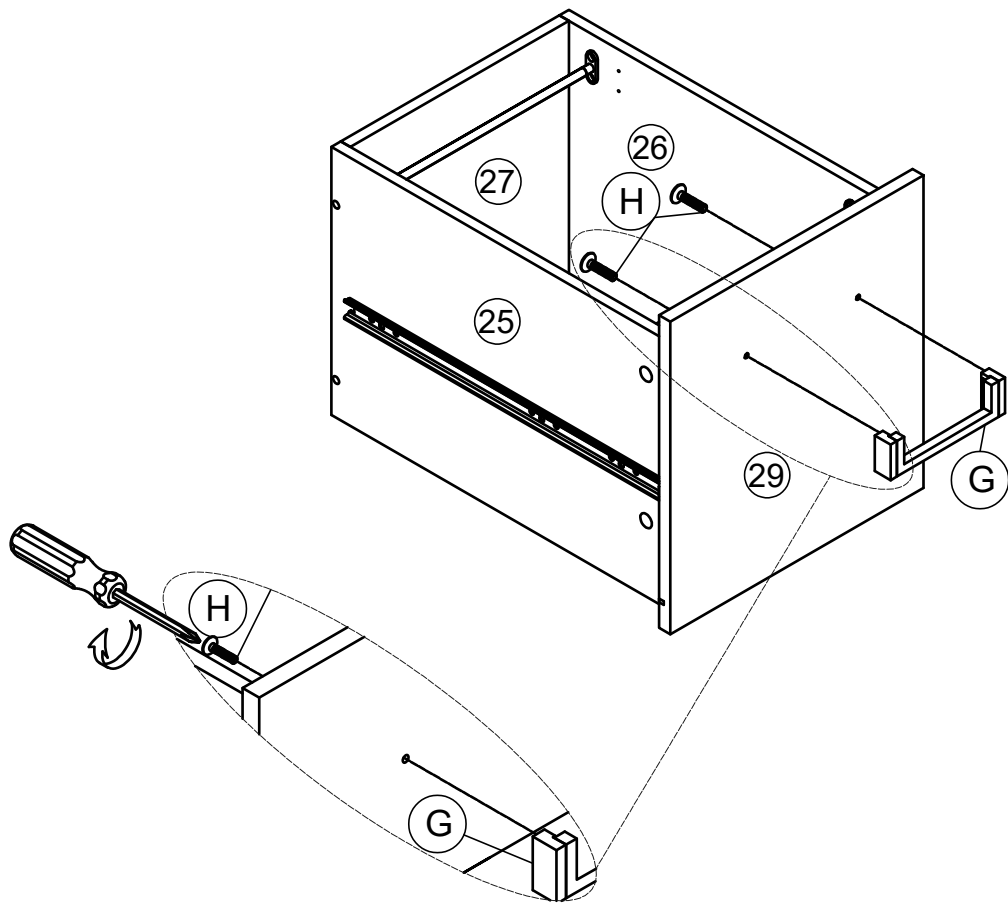
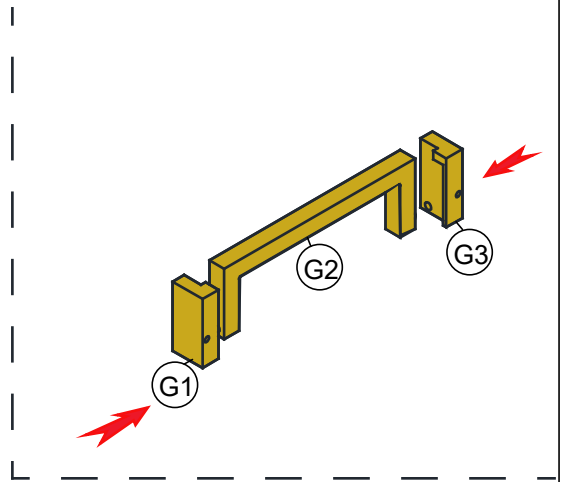
B


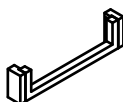


Cam Lock 8pcs

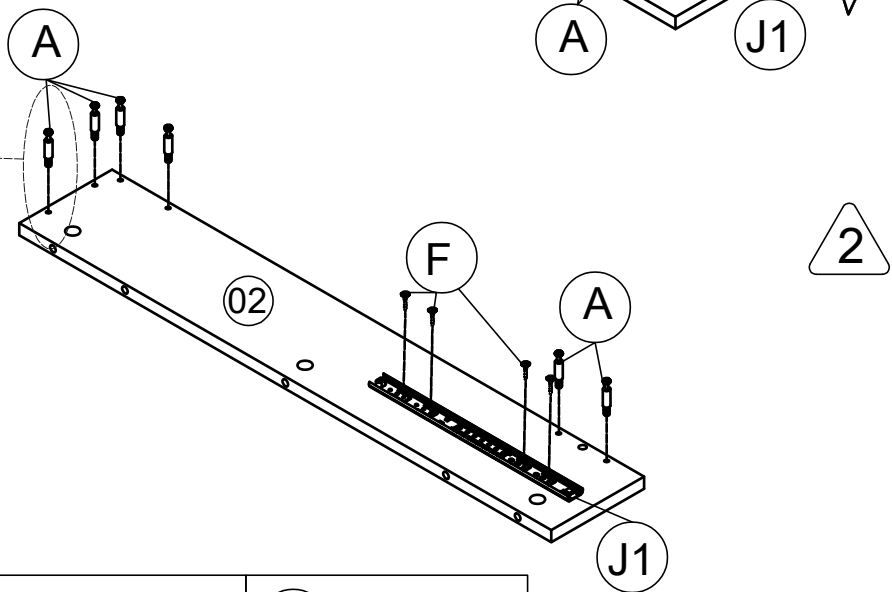
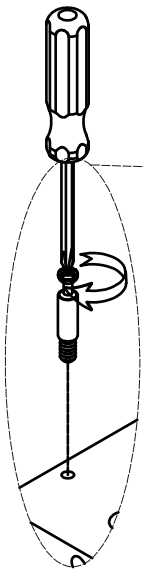
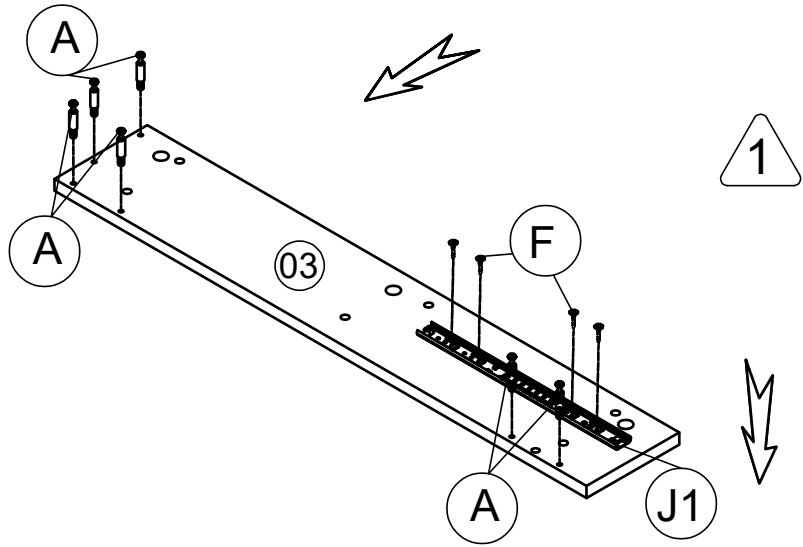
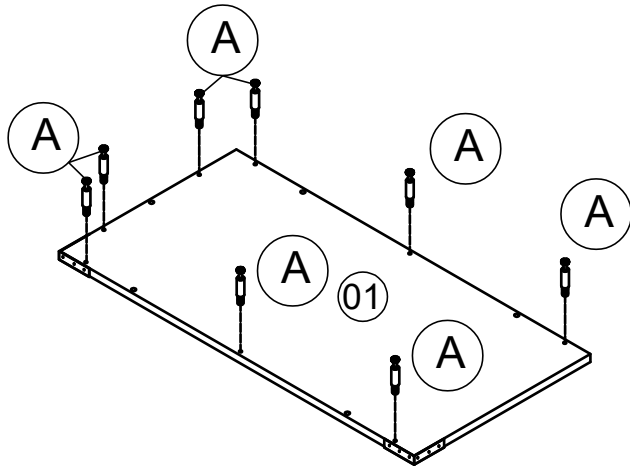
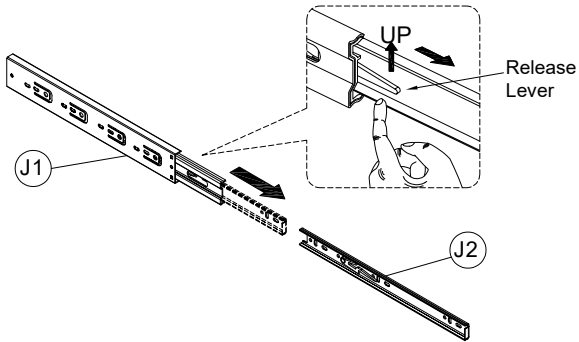
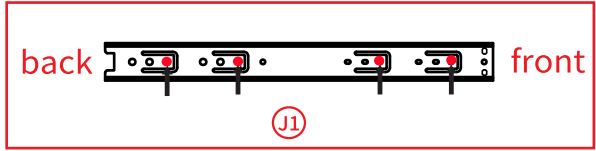
STEP 13

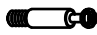

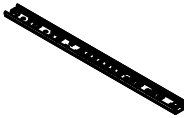
X2



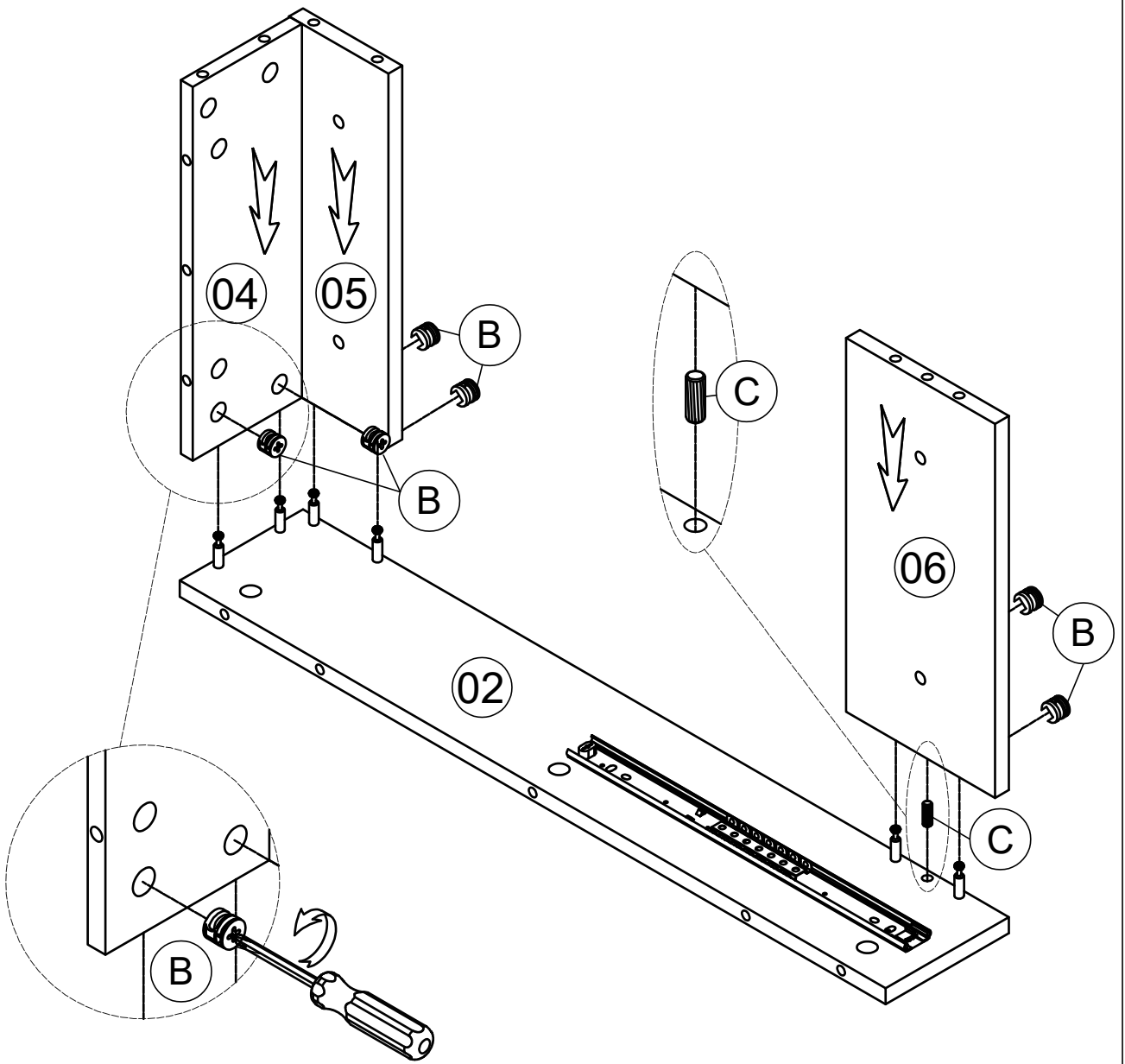
<p>H</p>  <p>M4x25mm Screw 4pcs</p>	<p>G</p>  <p>Handle 2pcs</p>
---	--



STEP 14



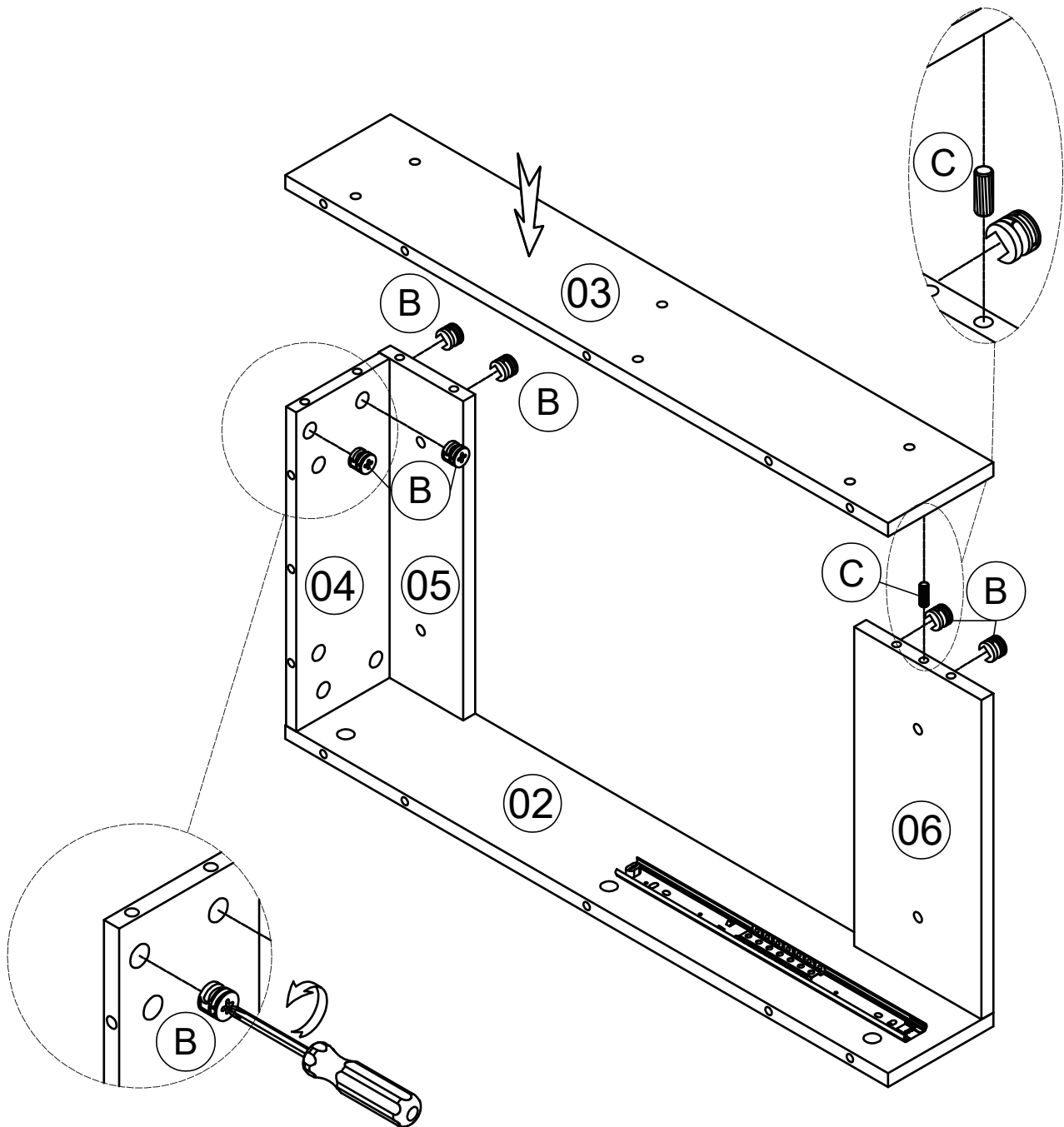
<p>A</p>  <p>Cam Bolt 20pcs</p>	<p>F</p>  <p>#3.5x12mm Screw 8 pcs</p>	<p>J1</p>  <p>Drawer slide 2pcs</p>
---	--	--



STEP 15



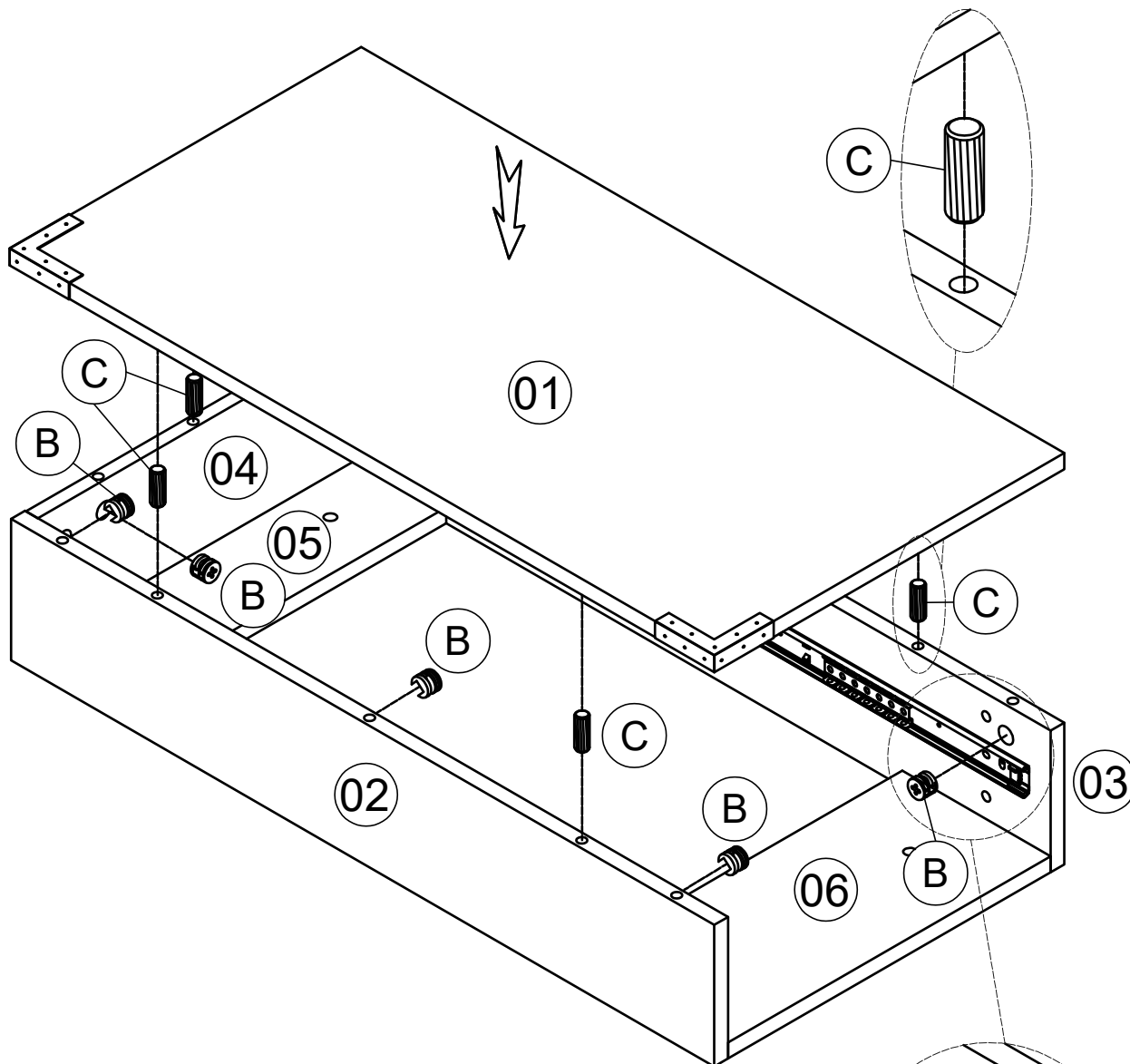
<p>B</p>  <p>Cam Lock 6pcs</p>	<p>C</p>  <p>Ø8x40 Dowel 1 pc</p>
--	---



STEP 16

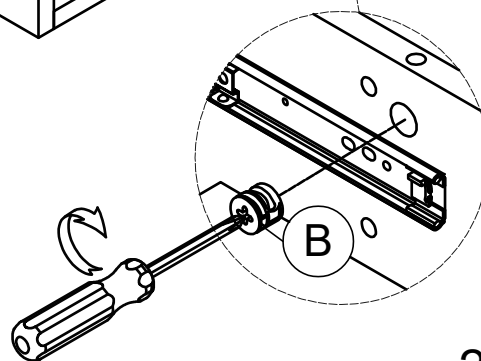


<p>B</p>  <p>Cam Lock 6pcs</p>	<p>C</p>  <p>Ø8x40 Dowel 1 pc</p>
--	---

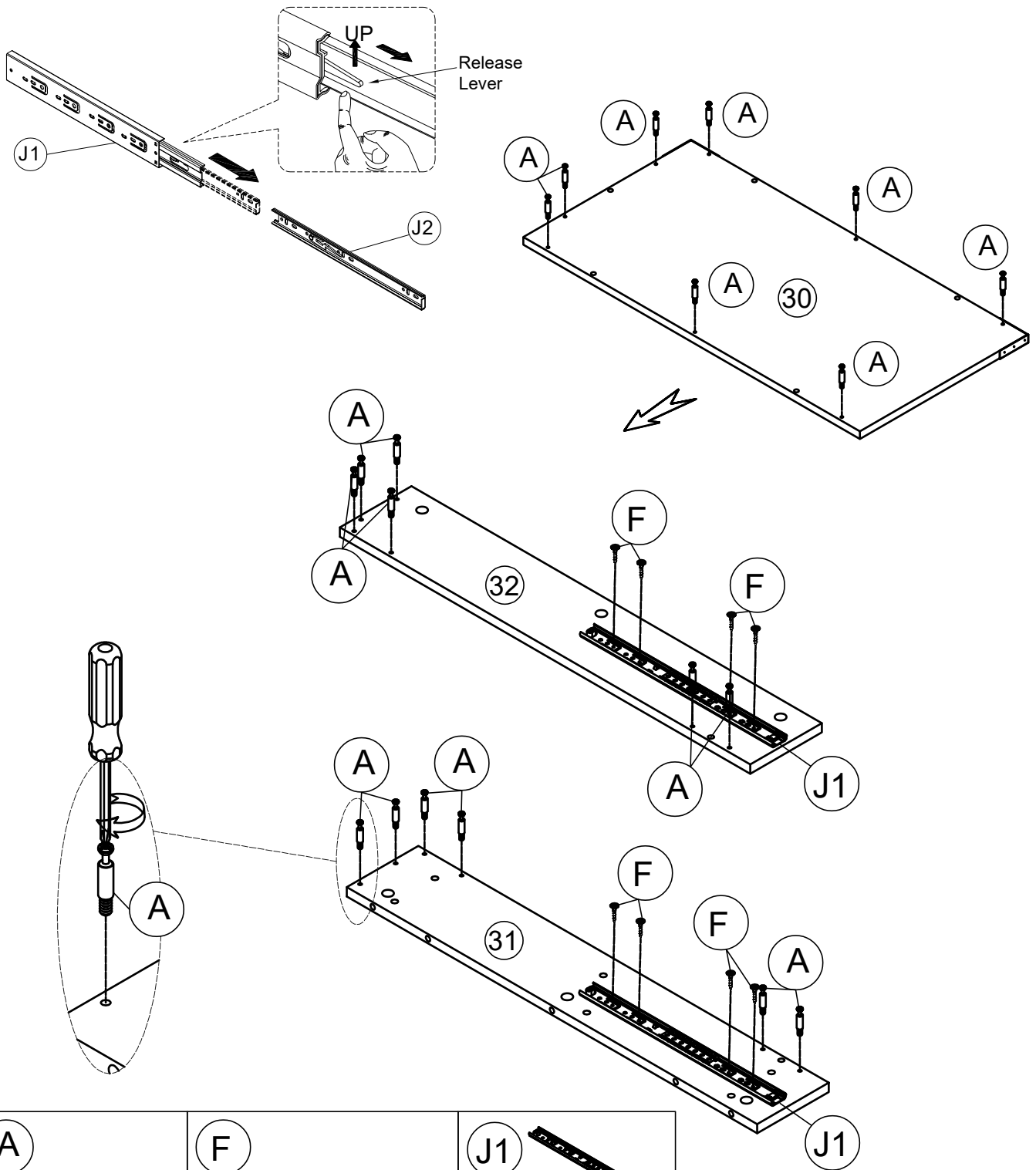
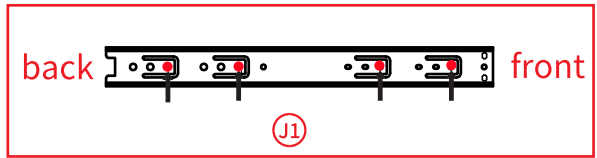
STEP 17


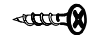
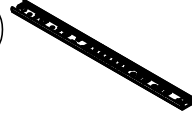


<p>B</p>  <p>Cam Lock 8pcs</p>	<p>C</p>  <p>Ø8x40 Dowel 5 pcs</p>
---	---

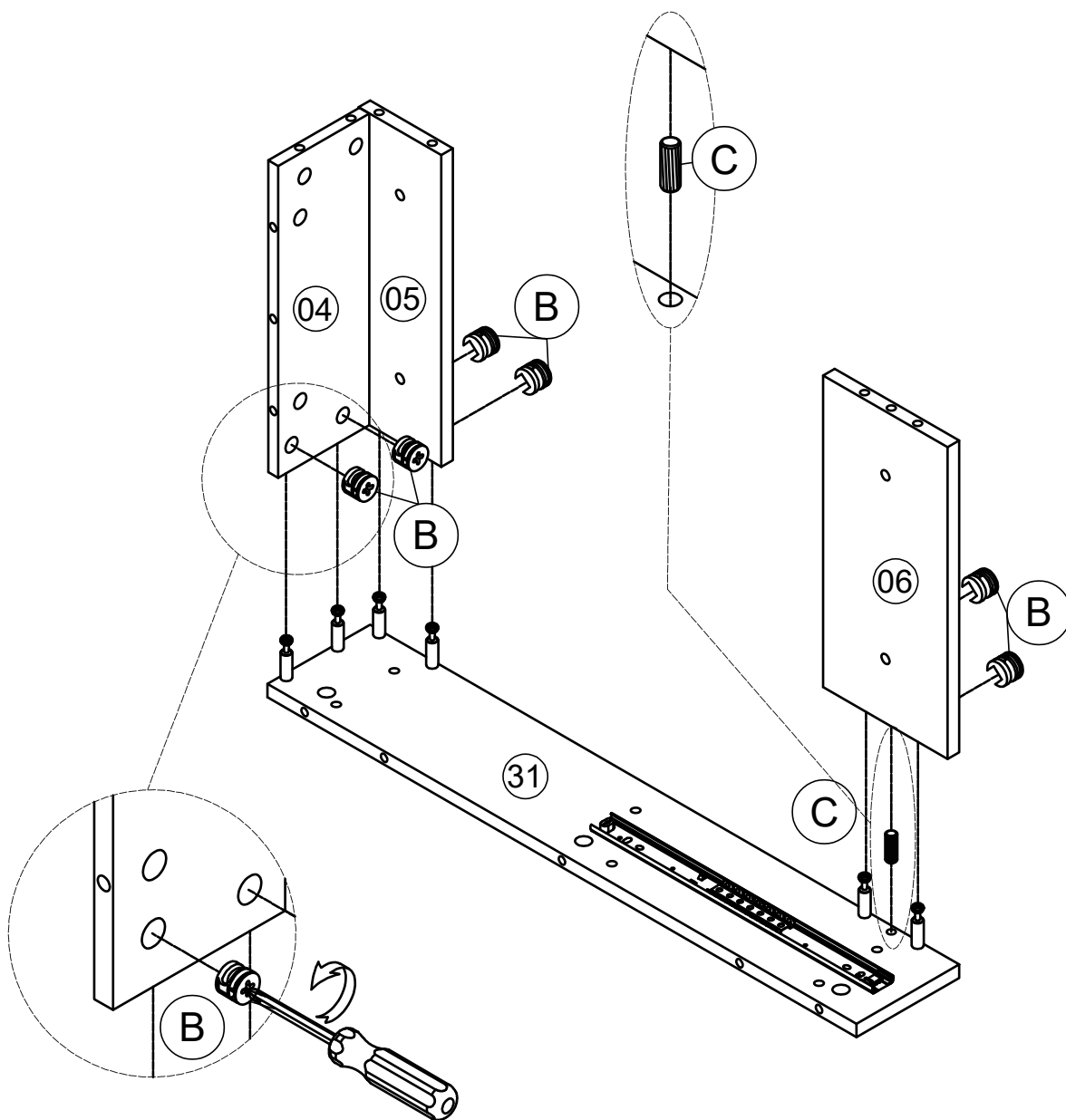




STEP 18



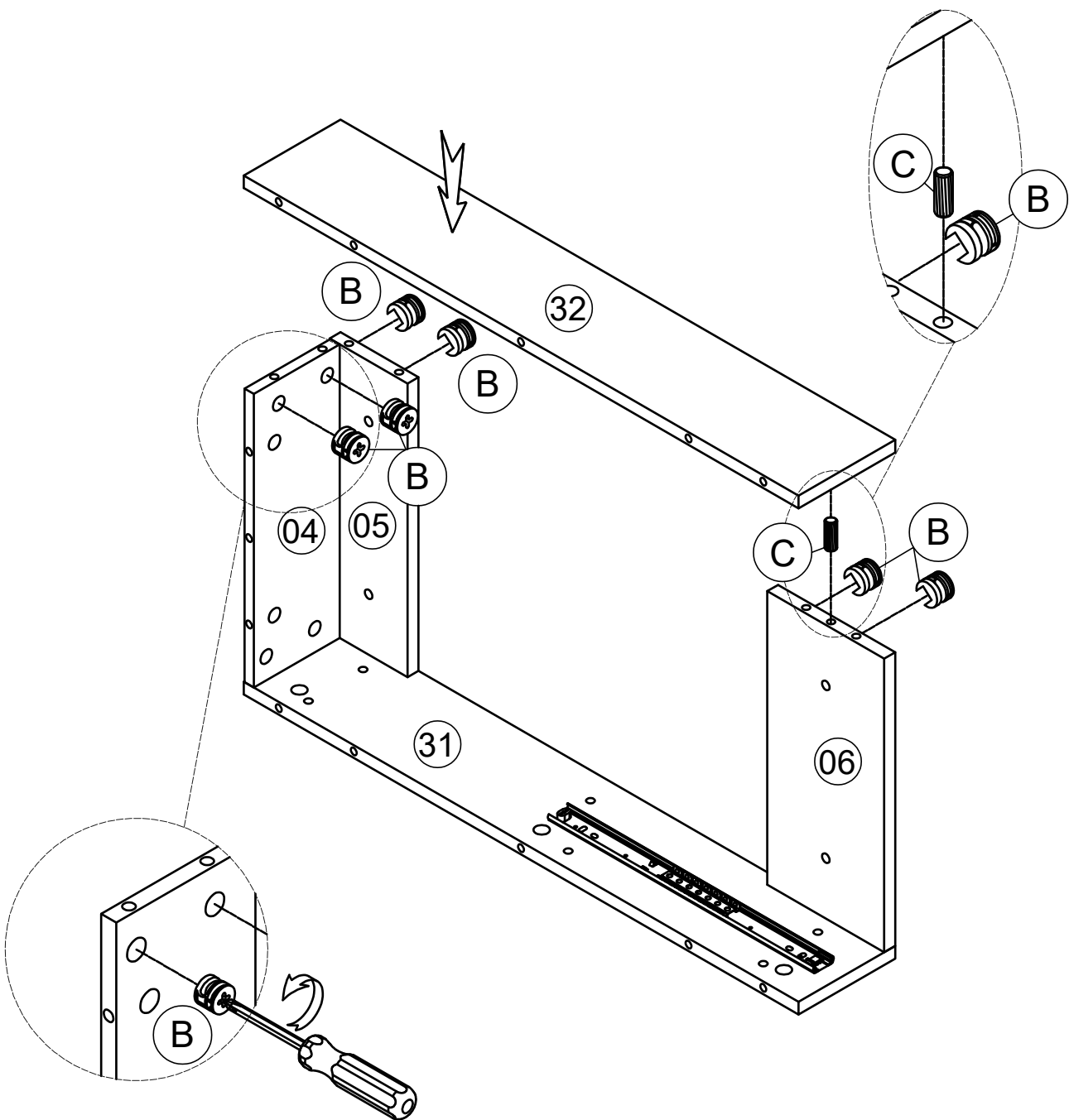
<p>A</p>  <p>Cam Bolt 20pcs</p>	<p>F</p>  <p>#3.5x12mm Screw 8pcs</p>	<p>J1</p>  <p>Drawer slide 2pcs</p>
---	---	--



STEP 19



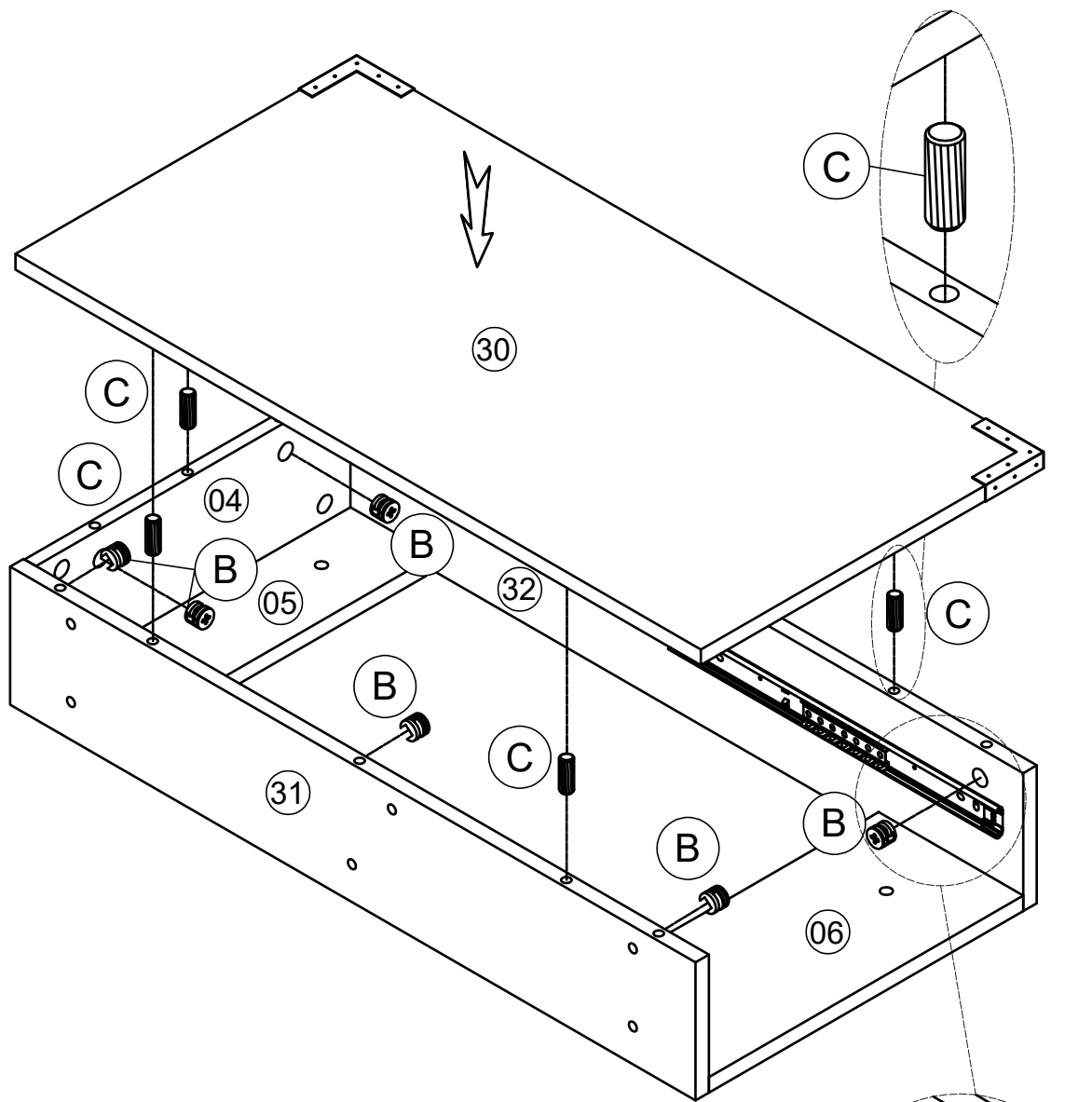
<p>B</p>  <p>Cam Lock 6pcs</p>	<p>C</p>  <p>Ø8x40 Dowel 1 pc</p>
--	---



STEP 20

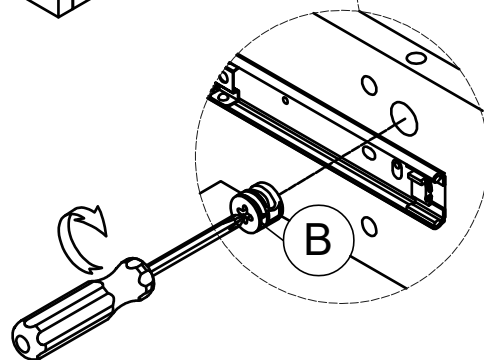


 Cam Lock 6pcs	 Ø8x40 Dowel 1 pc
--	---

STEP 21

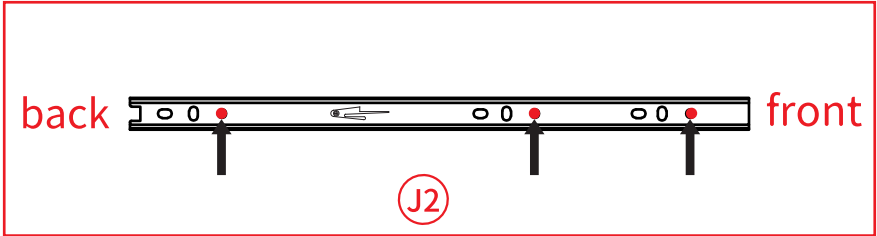


<p>B</p>  <p>Cam Lock 8pcs</p>	<p>C</p>  <p>Ø8x40 Dowel 5 pcs</p>
--	--

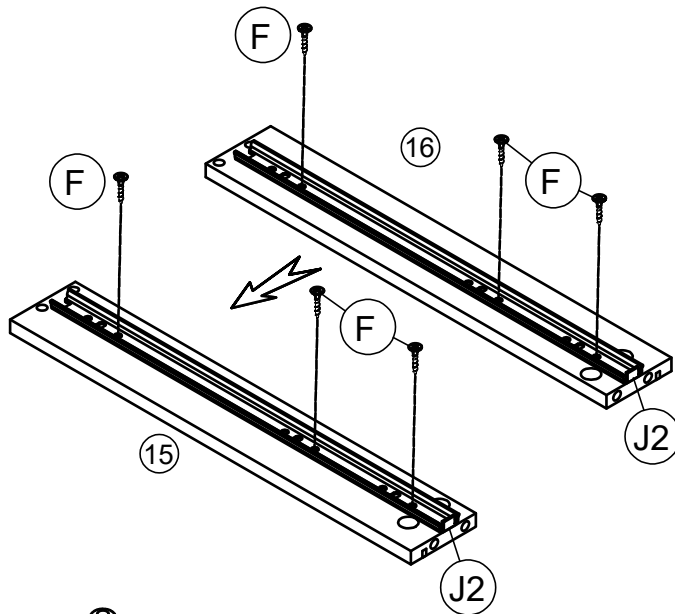


STEP 22

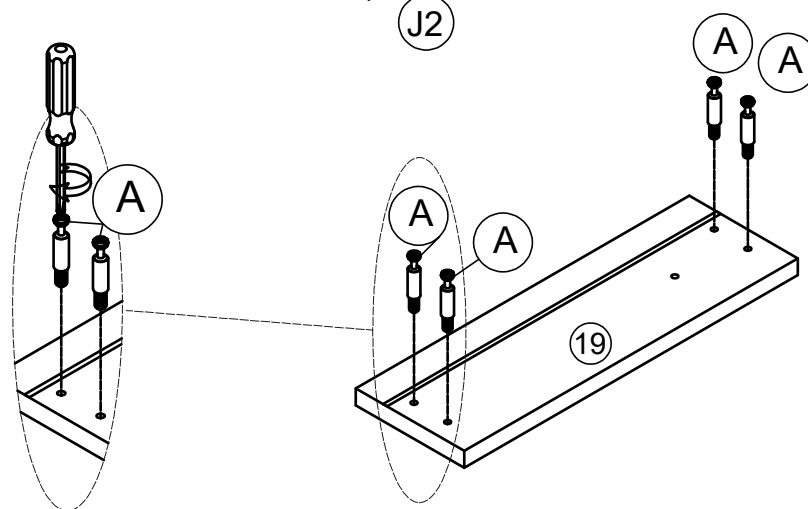
X2

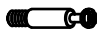
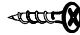



1



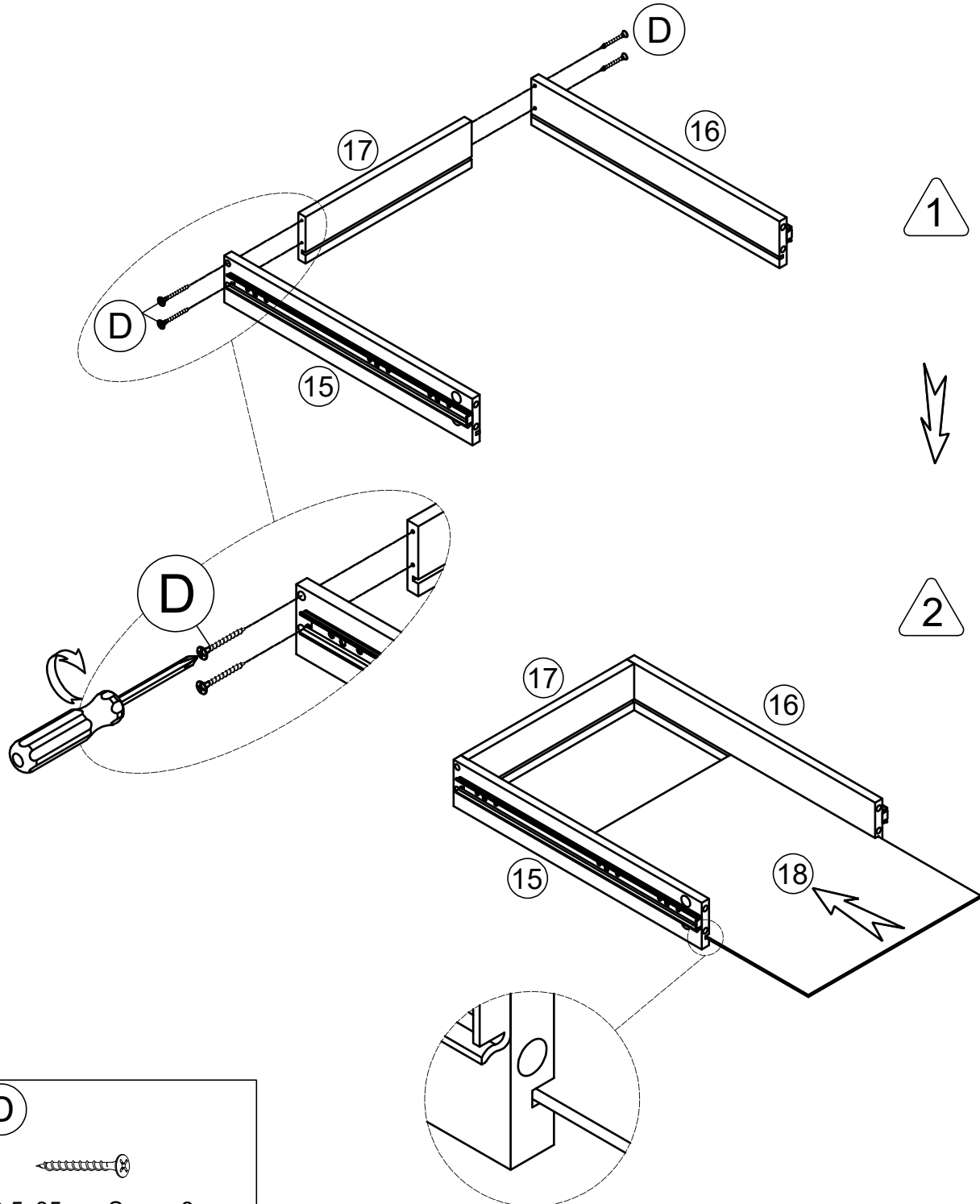
2

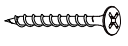


<p>A</p>  <p>Cam Bolt 8pcs</p>	<p>F</p>  <p>#3.5x12mm Screw 12 pcs</p>	<p>J2</p>  <p>Drawer slide 4pcs</p>
---	--	---

STEP 23

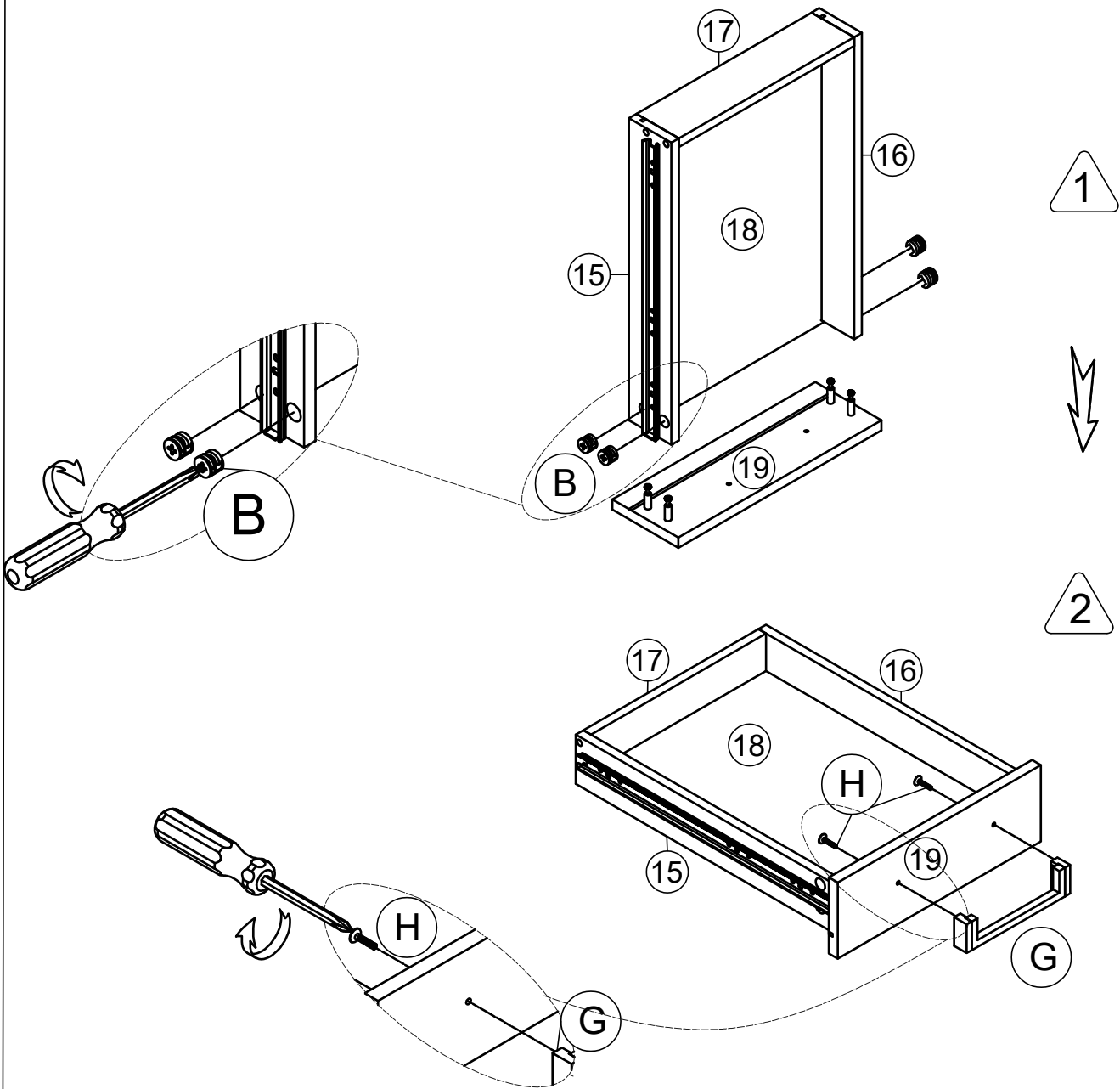
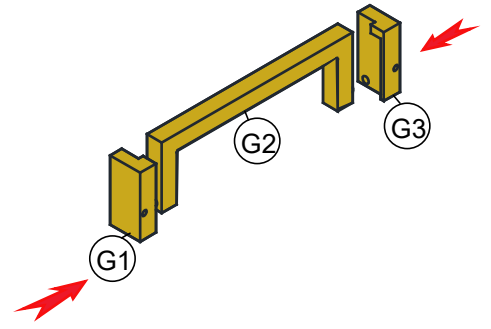
X2



D

#3.5x35mm Screw 8pcs

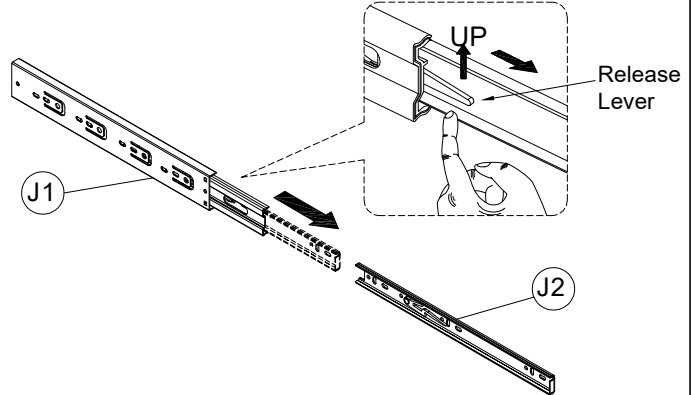
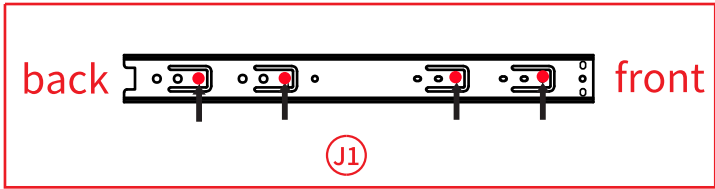
STEP 24

X2

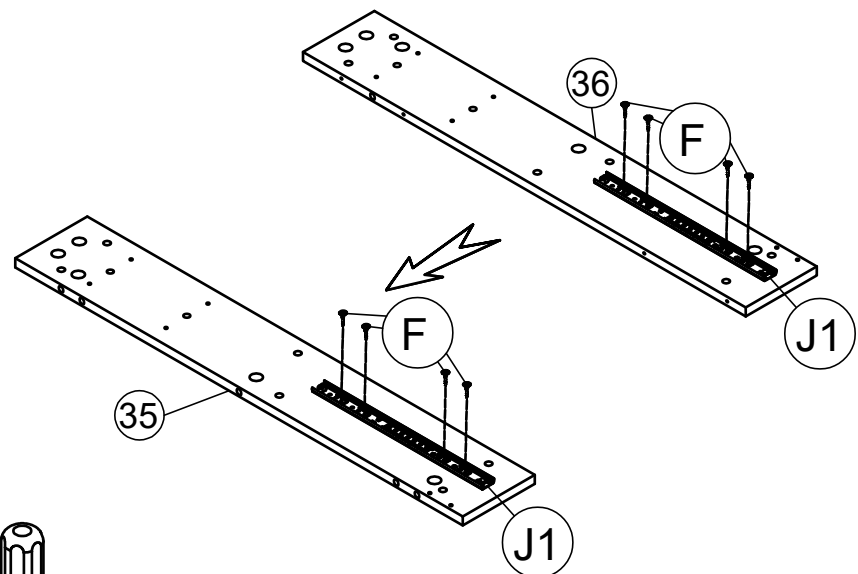


<p>B</p>  <p>Cam Lock 8pcs</p>	<p>H</p>  <p>M4x25mm Screw 4pcs</p>	<p>G</p>  <p>Handle 2pcs</p>
--	---	--

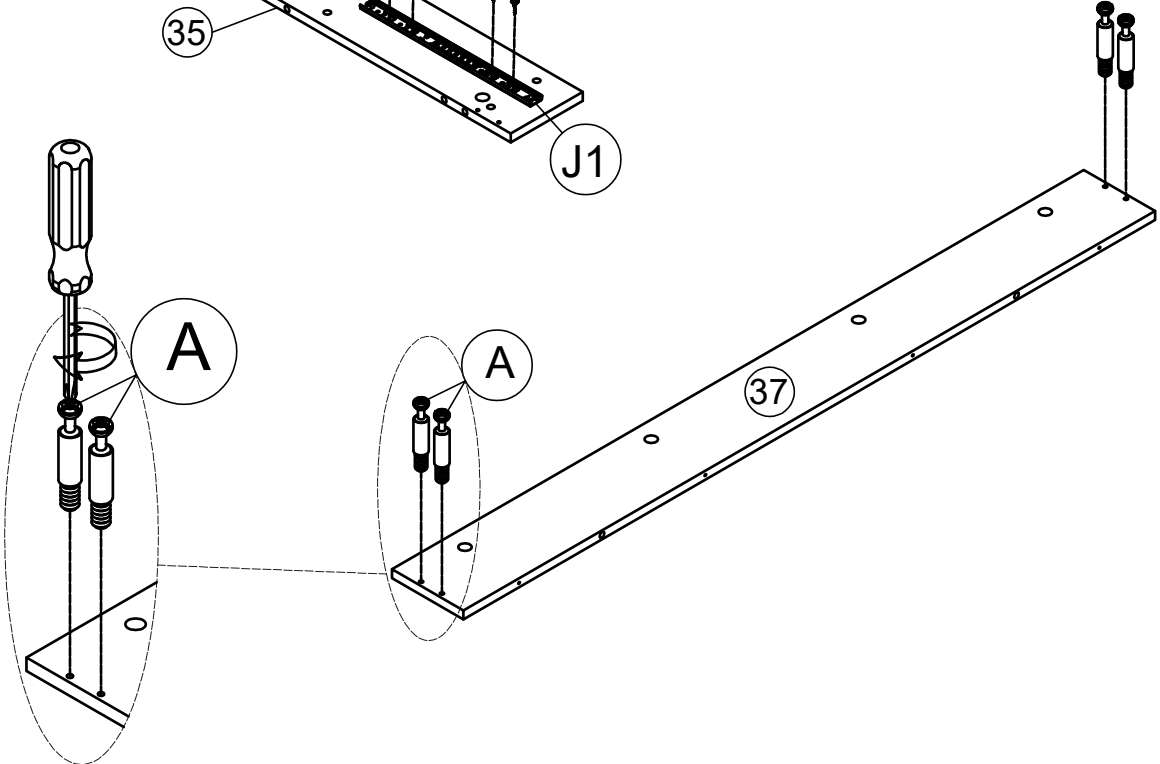
STEP 25

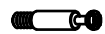




1



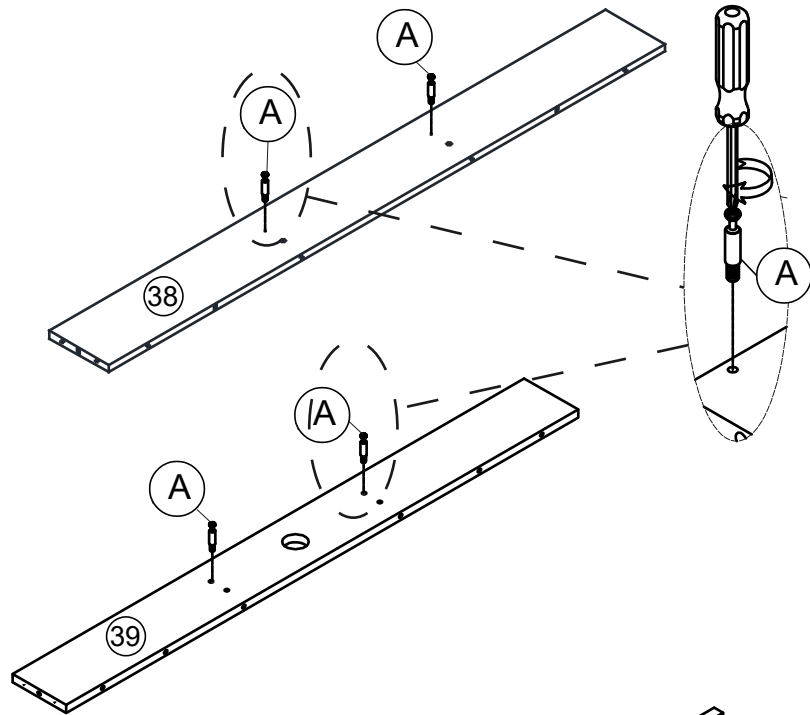
2



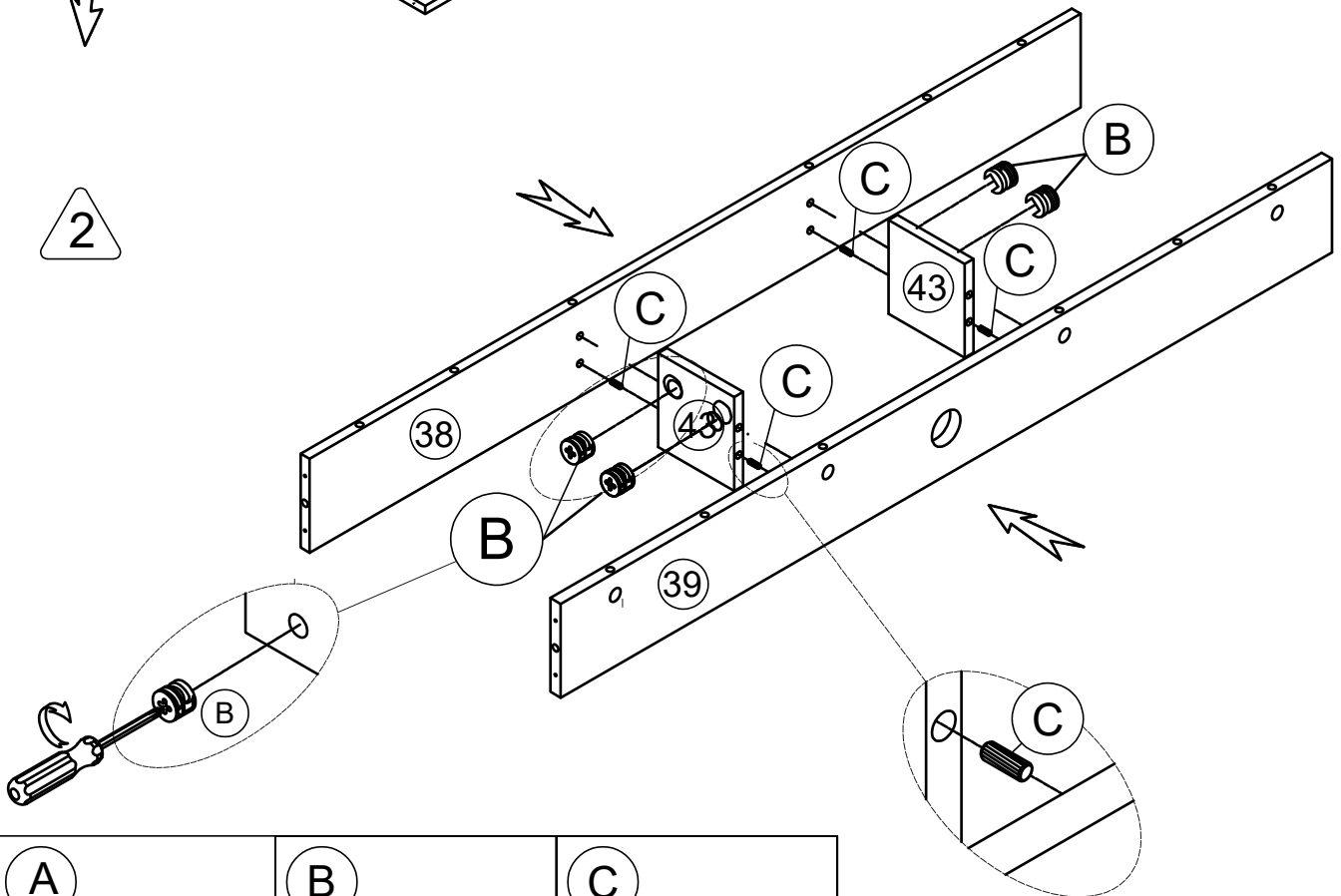
<p>A</p>  <p>Cam Bolt 4 pcs</p>	<p>F</p>  <p>#3.5x12mm Screw 8 pcs</p>	<p>J1</p>  <p>Drawer slide 2pcs</p>
---	--	--

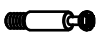


STEP 26

1

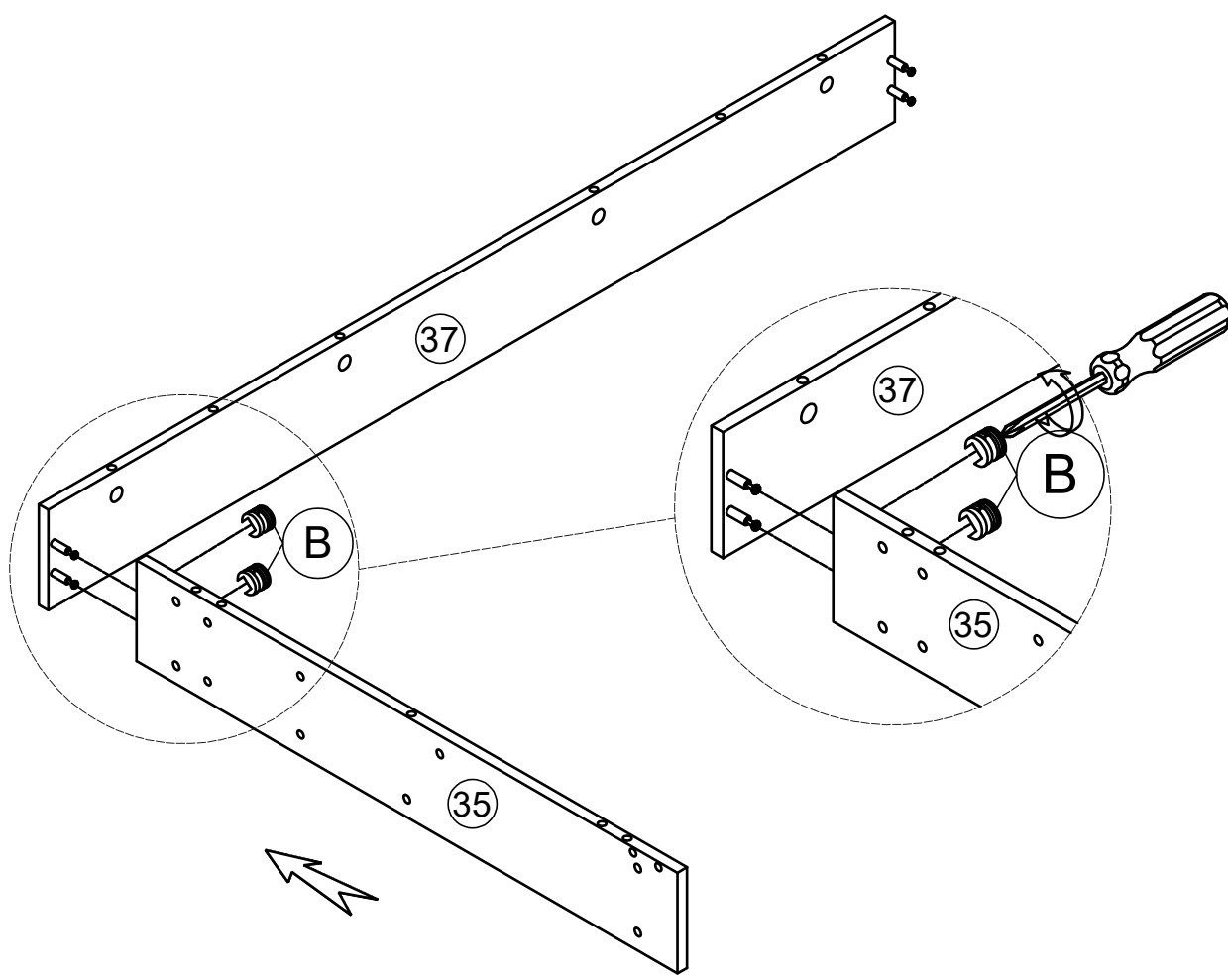


2




<p>A</p>  <p>Cam Bolt 4pcs</p>	<p>B</p>  <p>Cam Lock 4pcs</p>	<p>C</p>  <p>Ø8x40 Dowel 4 pcs</p>
--	--	--

STEP 27

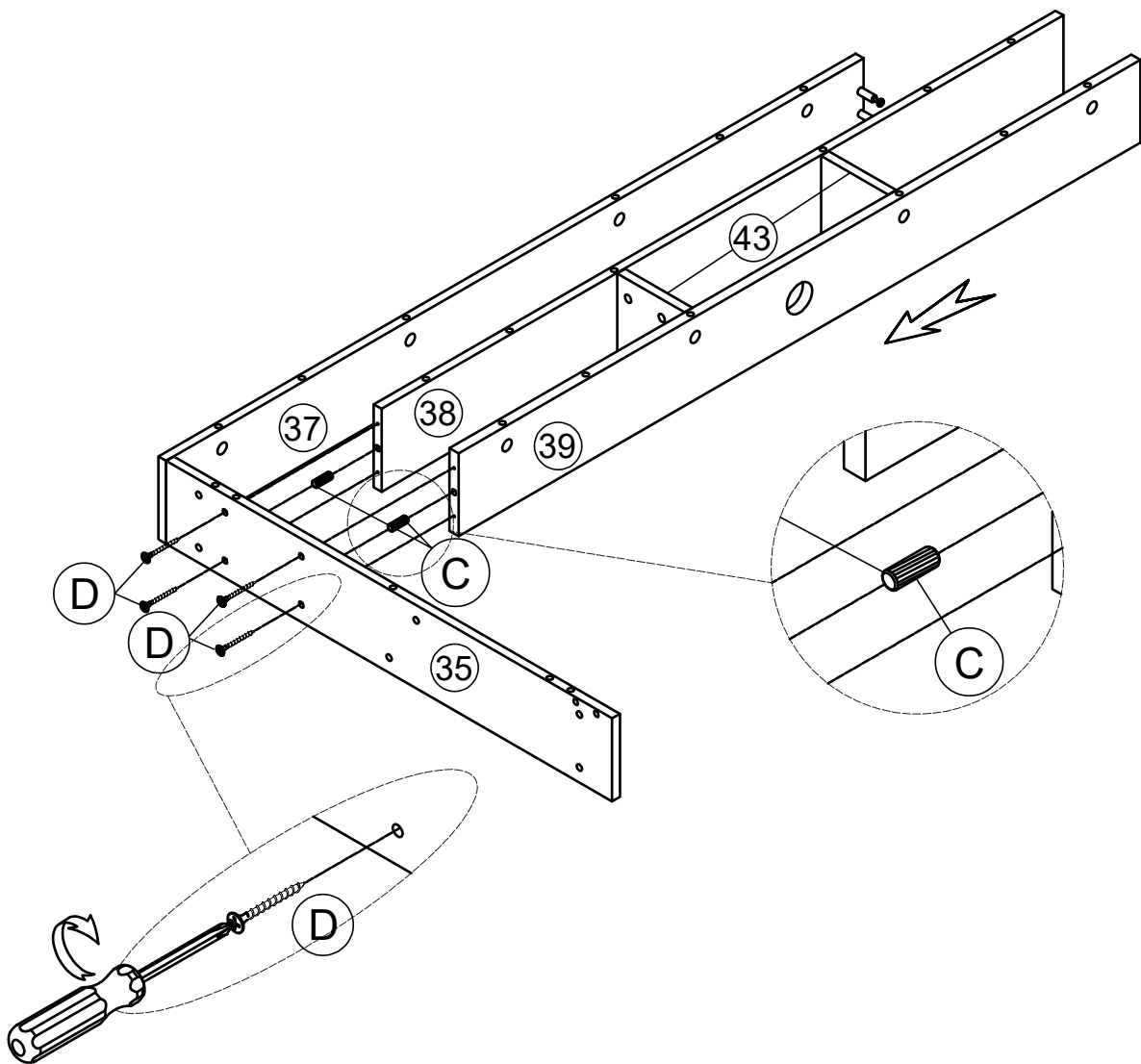


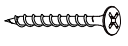

B



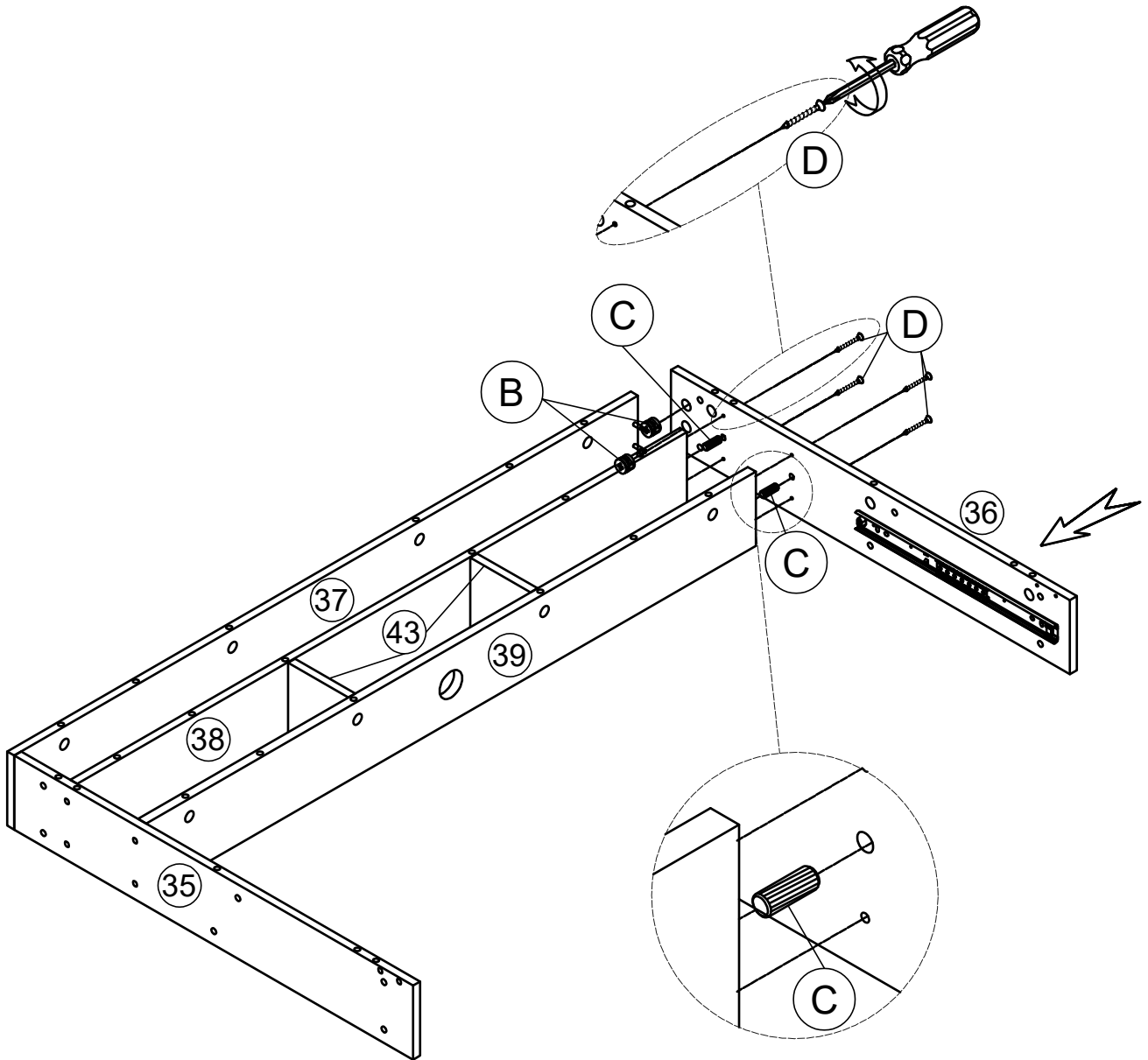
Cam Lock 2pcs


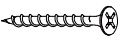

STEP 28



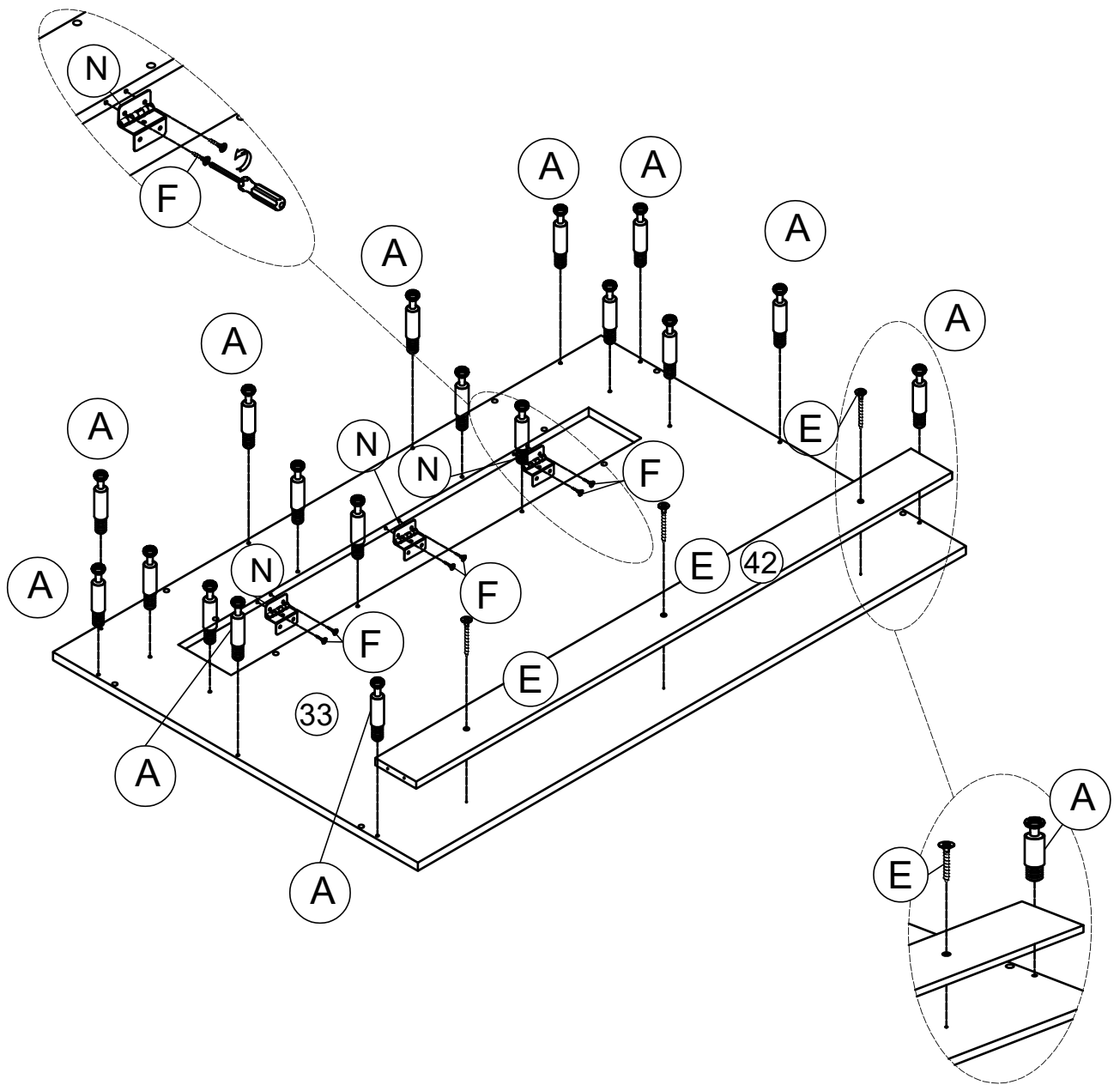
<p>(D)</p>  <p>#3.5x35mm Screw 4pcs</p>	<p>(C)</p>  <p>Ø8x40 Dowel 2pcs</p>
--	--

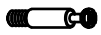
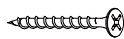


STEP 29



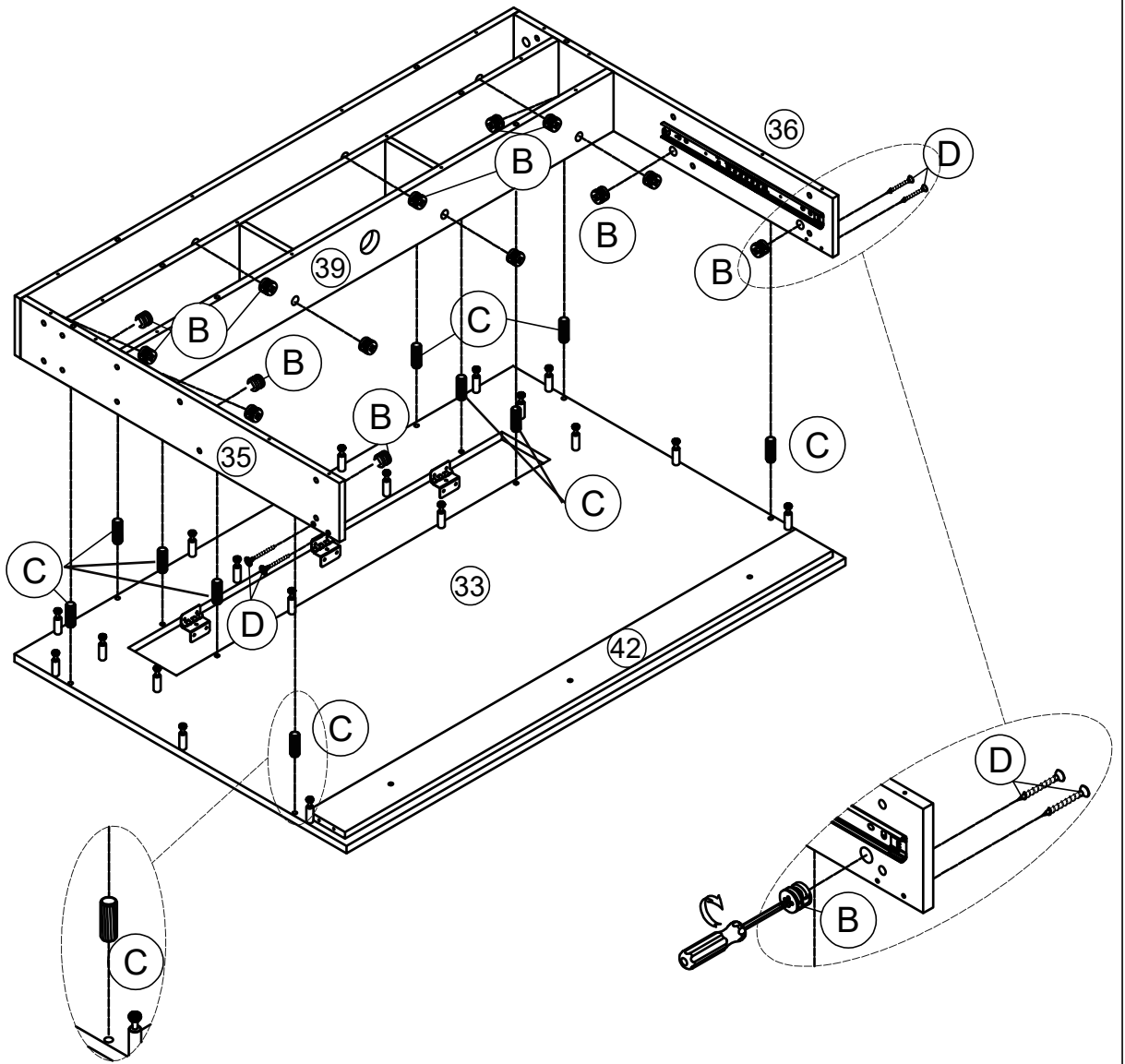
<p>B</p>  <p>Cam Lock 2pcs</p>	<p>D</p>  <p>#3.5x35mm Screw 4pcs</p>	<p>C</p>  <p>Ø8x40 Dowel 2pcs</p>
--	---	---



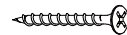
STEP 30



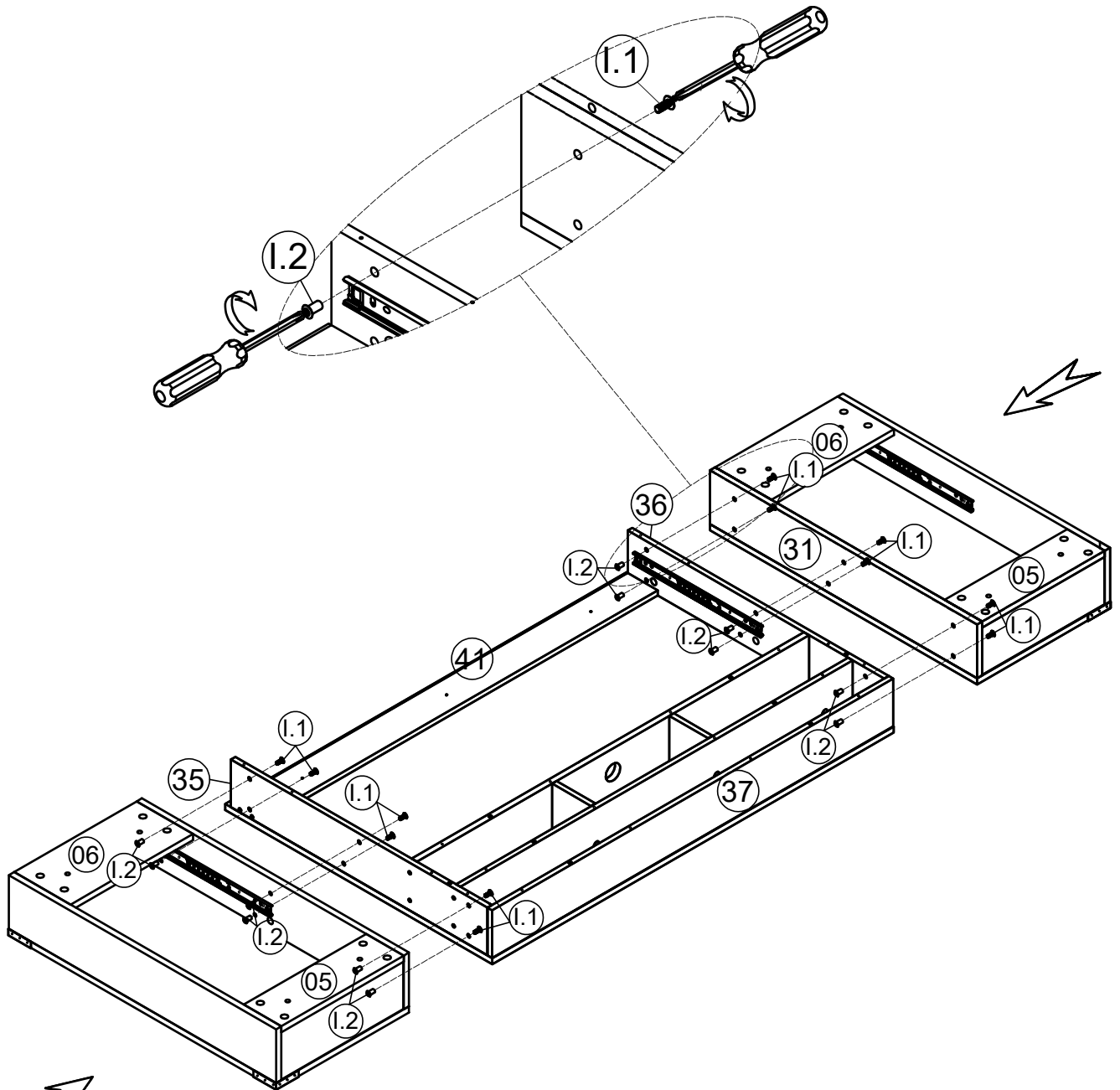
<p>A</p>  <p>Cam Bolt 18 pcs</p>	<p>E</p>  <p>#3.5x20mm Screw 3 pcs</p>	<p>F</p>  <p>#3.5x12mm Screw 6 pcs</p>	<p>N</p>  <p>Hinge 03 pcs</p>
--	--	--	---

STEP 31



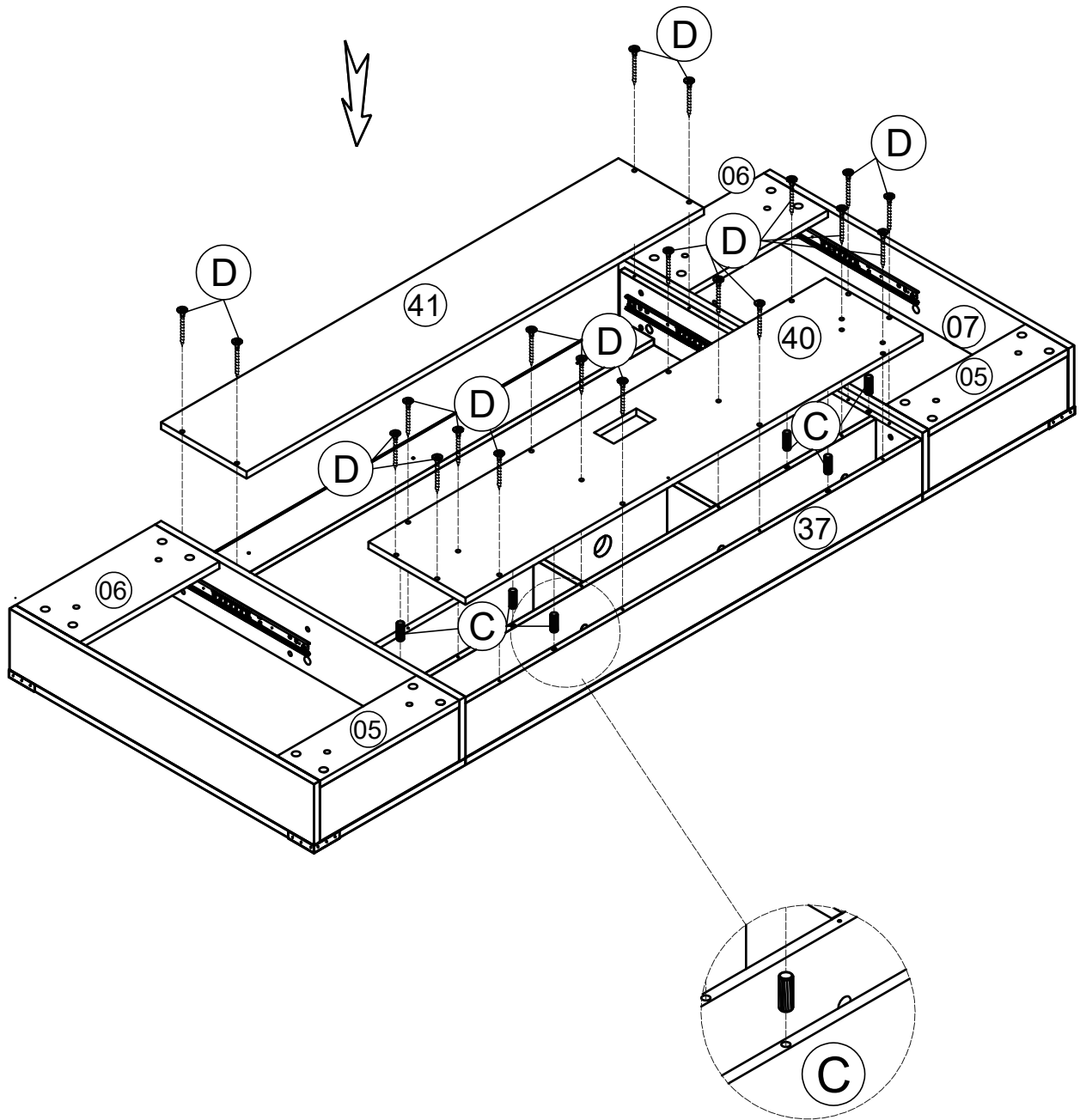
<p>B</p>  <p>Cam Lock 18pcs</p>	<p>C</p>  <p>Ø8x40 Dowel 10pcs</p>	<p>D</p>  <p>#3.5x35mm Screw 4pcs</p>
---	--	---


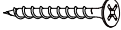
STEP 32



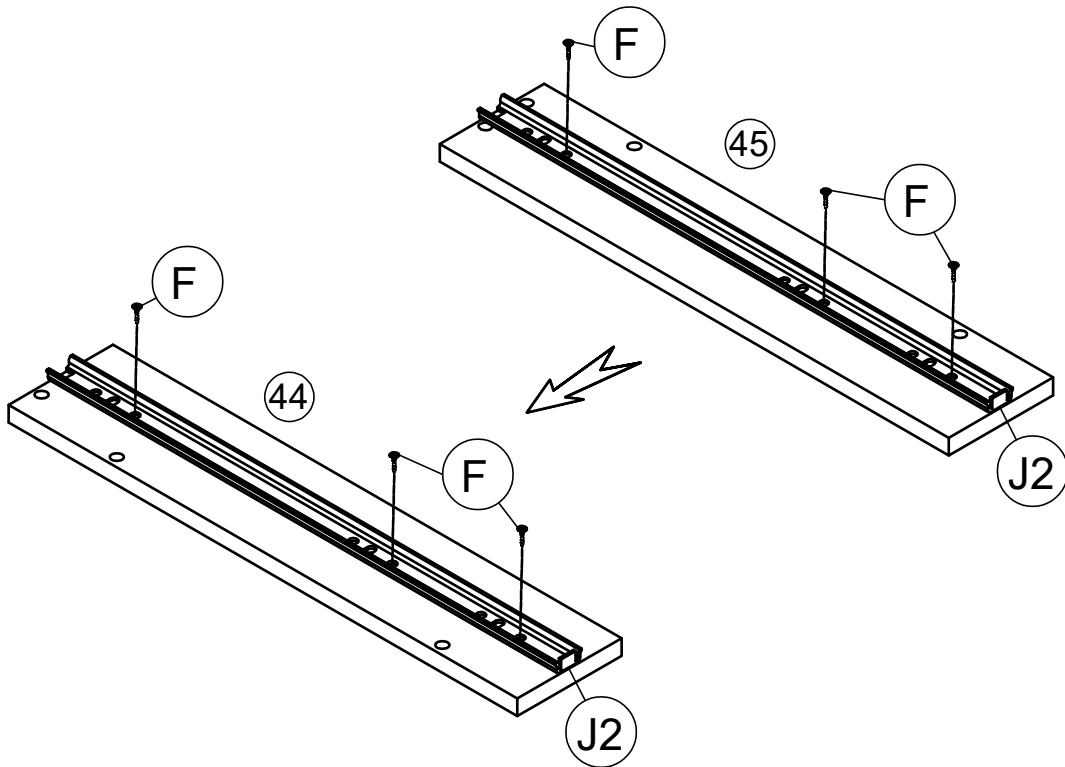
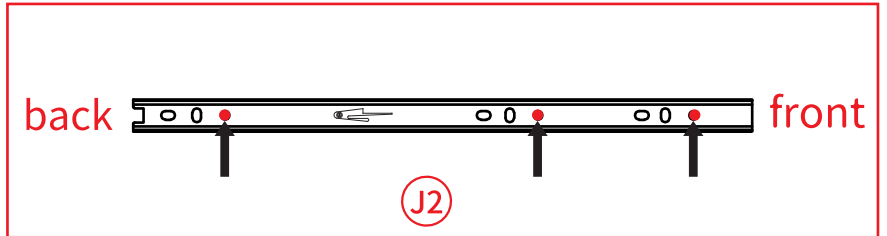
I	I.2	I.1
12pcs		



STEP 33



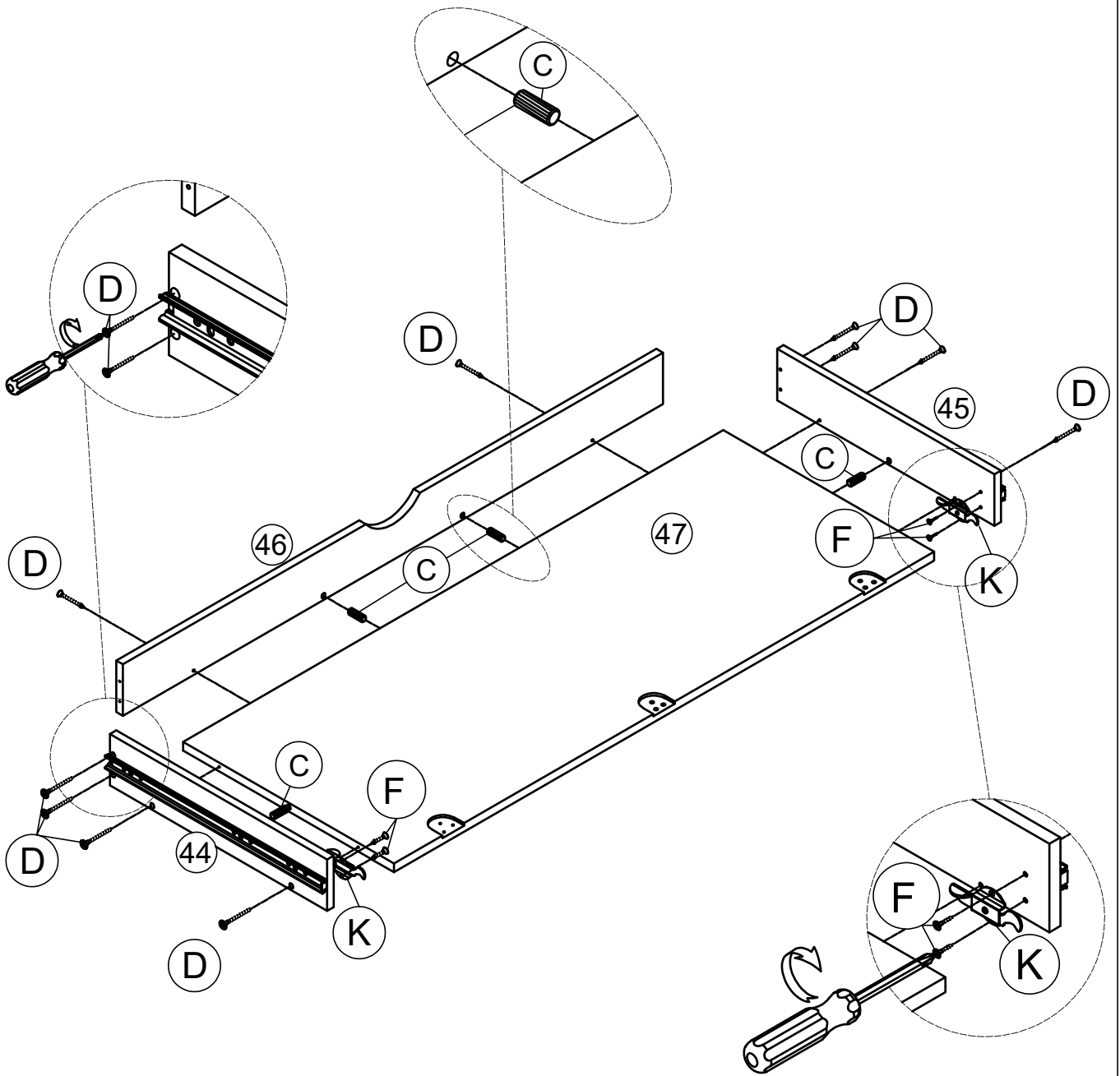
<p>C</p>  <p>Ø8x40 Dowel 8pcs</p>	<p>D</p>  <p>#3.5x35mm Screw 20pcs</p>
---	--

STEP 34



<p>F</p>  <p>#3.5x12mm Screw 6pcs</p>	<p>J2</p>  <p>Drawer slide 2pcs</p>
---	---

STEP 35

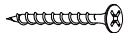


C



Ø8x40 Dowel 4pcs

D



#3.5x35mm Screw 10pcs

F



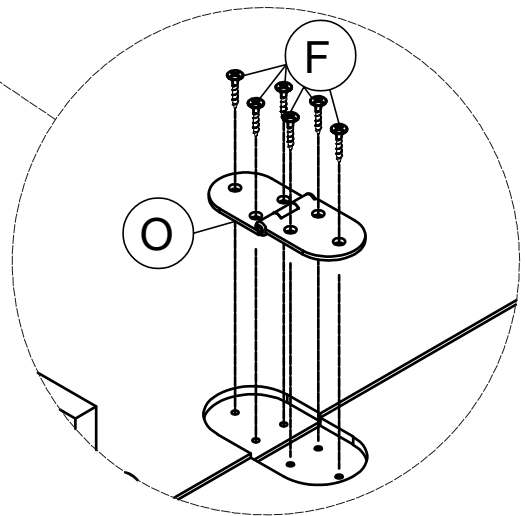
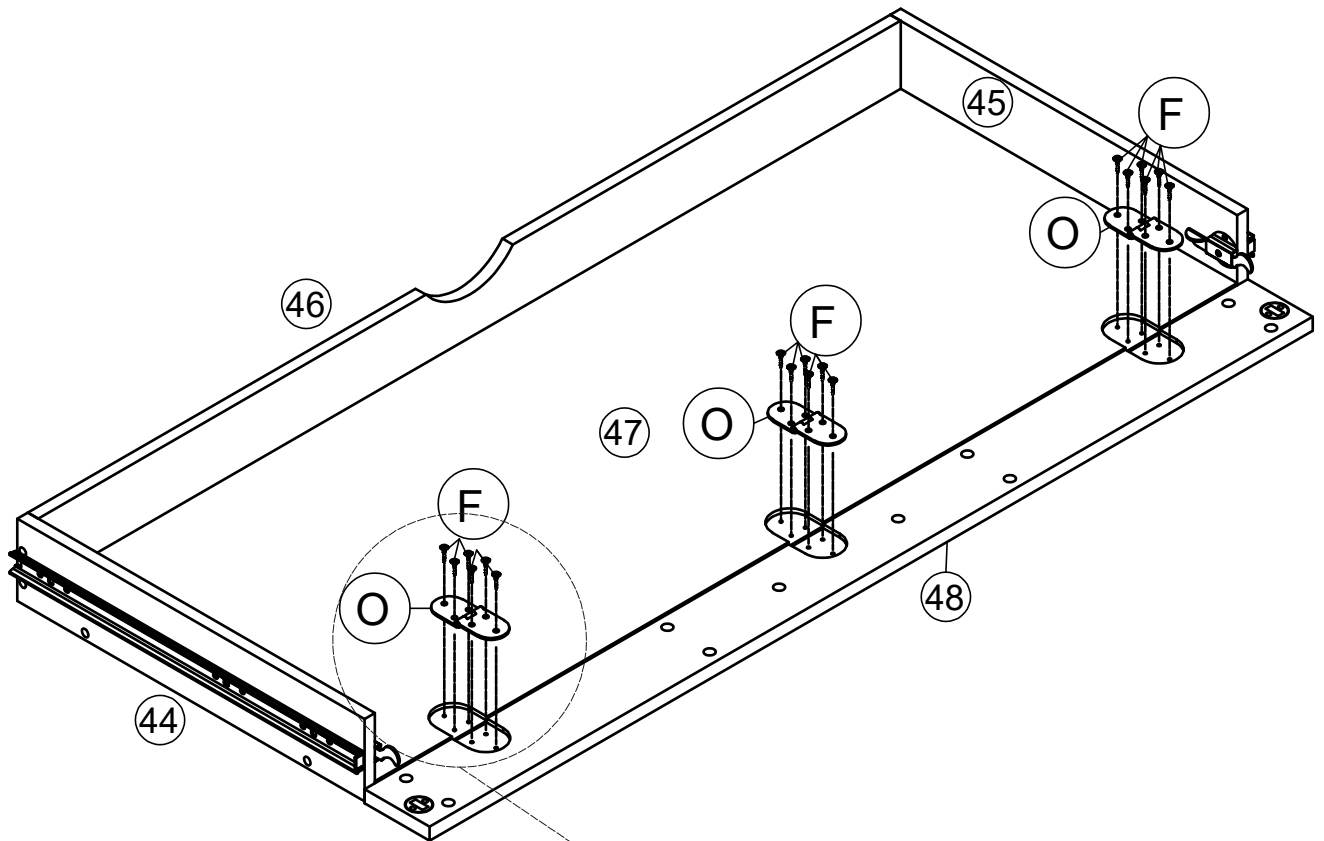
#3.5x12mm Screw 4 pcs



K



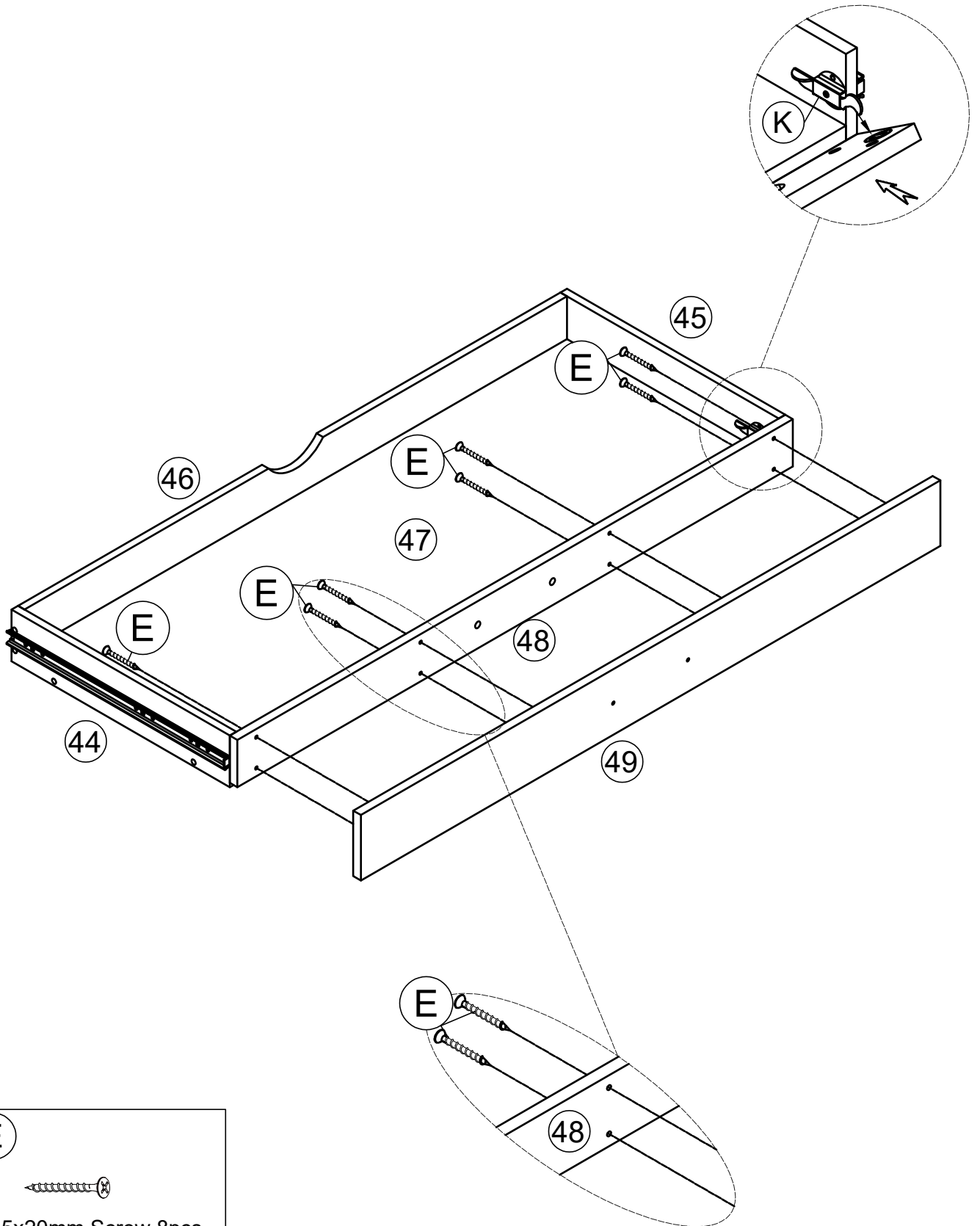
2pcs

STEP 36

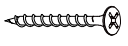


 #3.5x12mm Screw 18 pcs	 Hinge 03 pcs
---	---

STEP 37

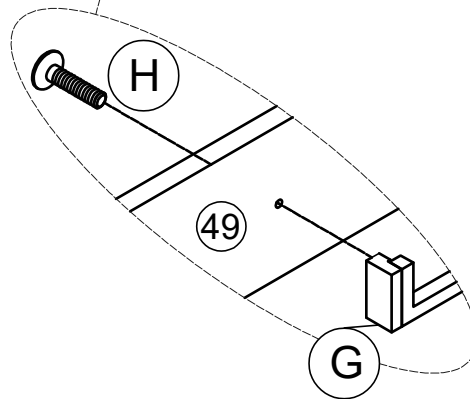
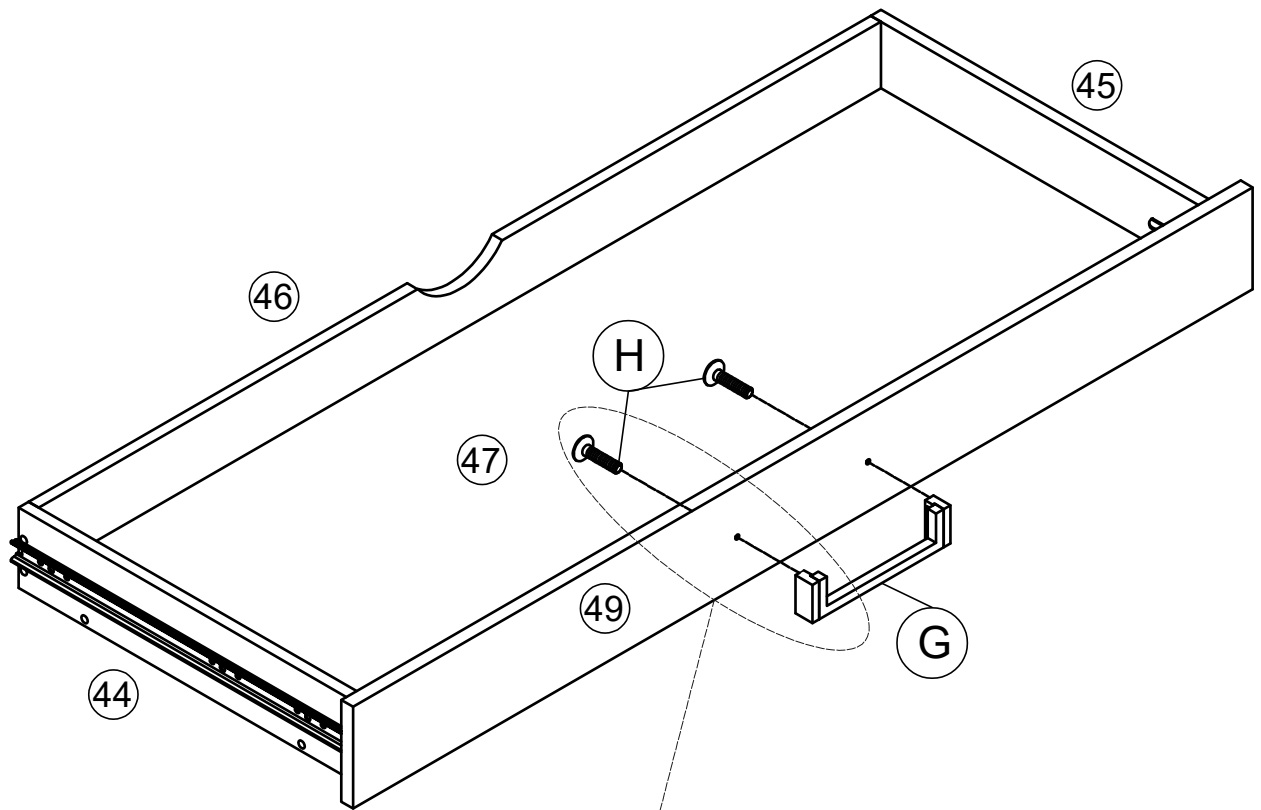
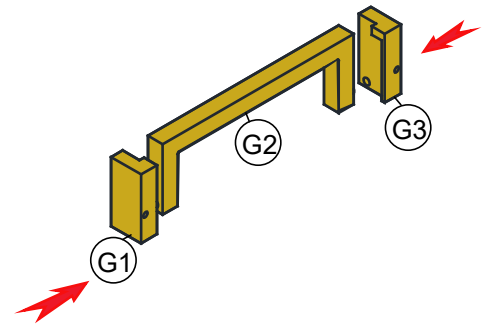




E



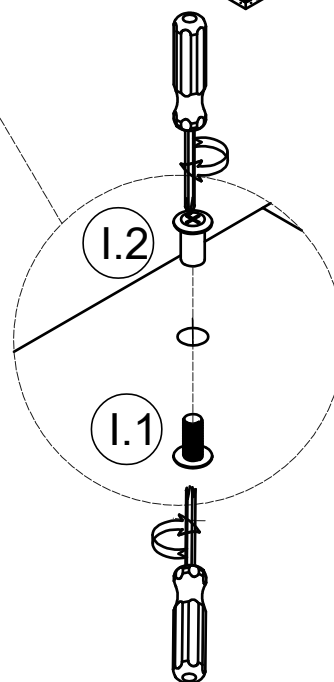
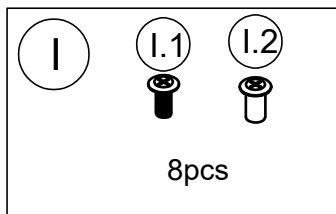
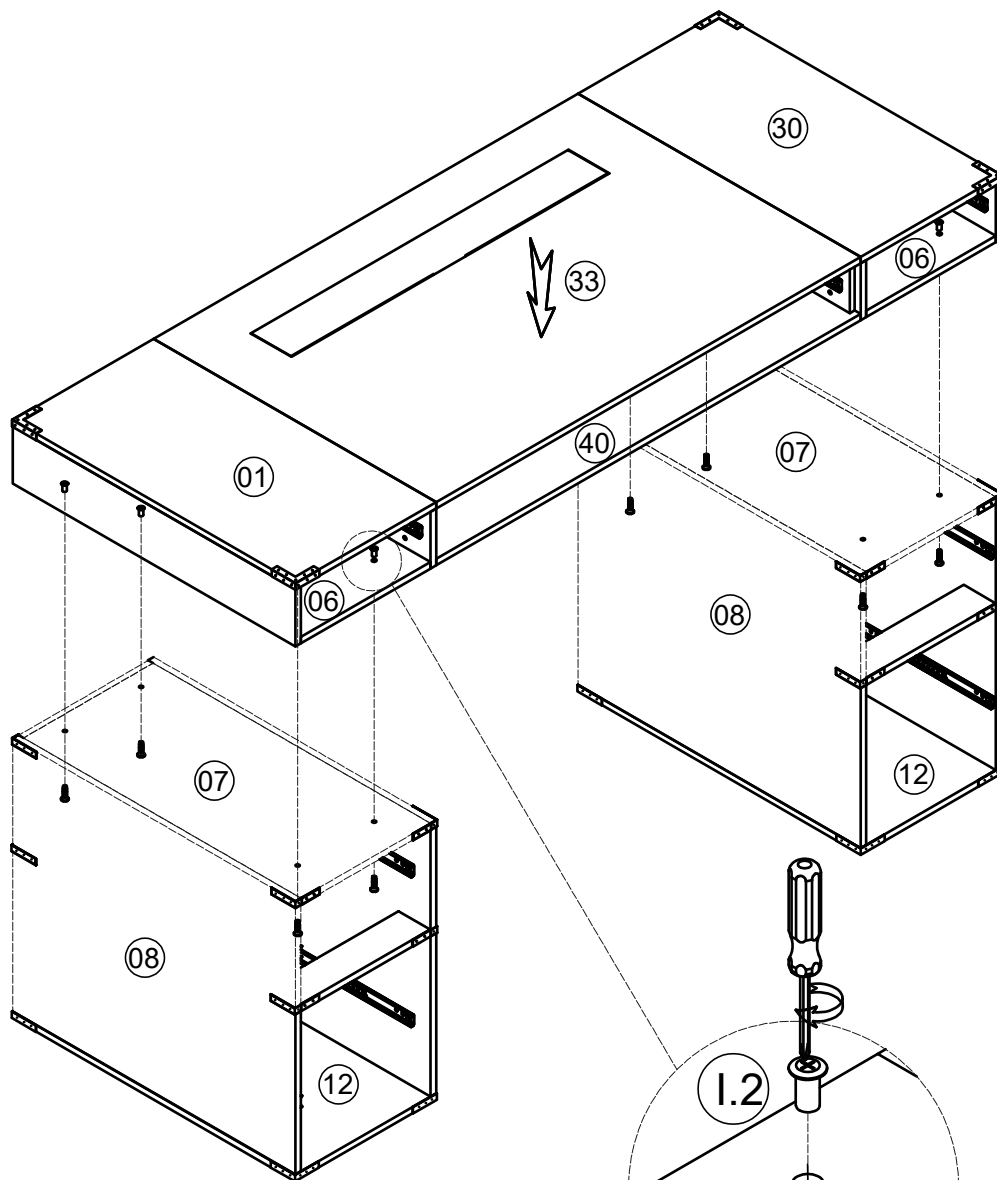
#3.5x20mm Screw 8pcs

STEP 38

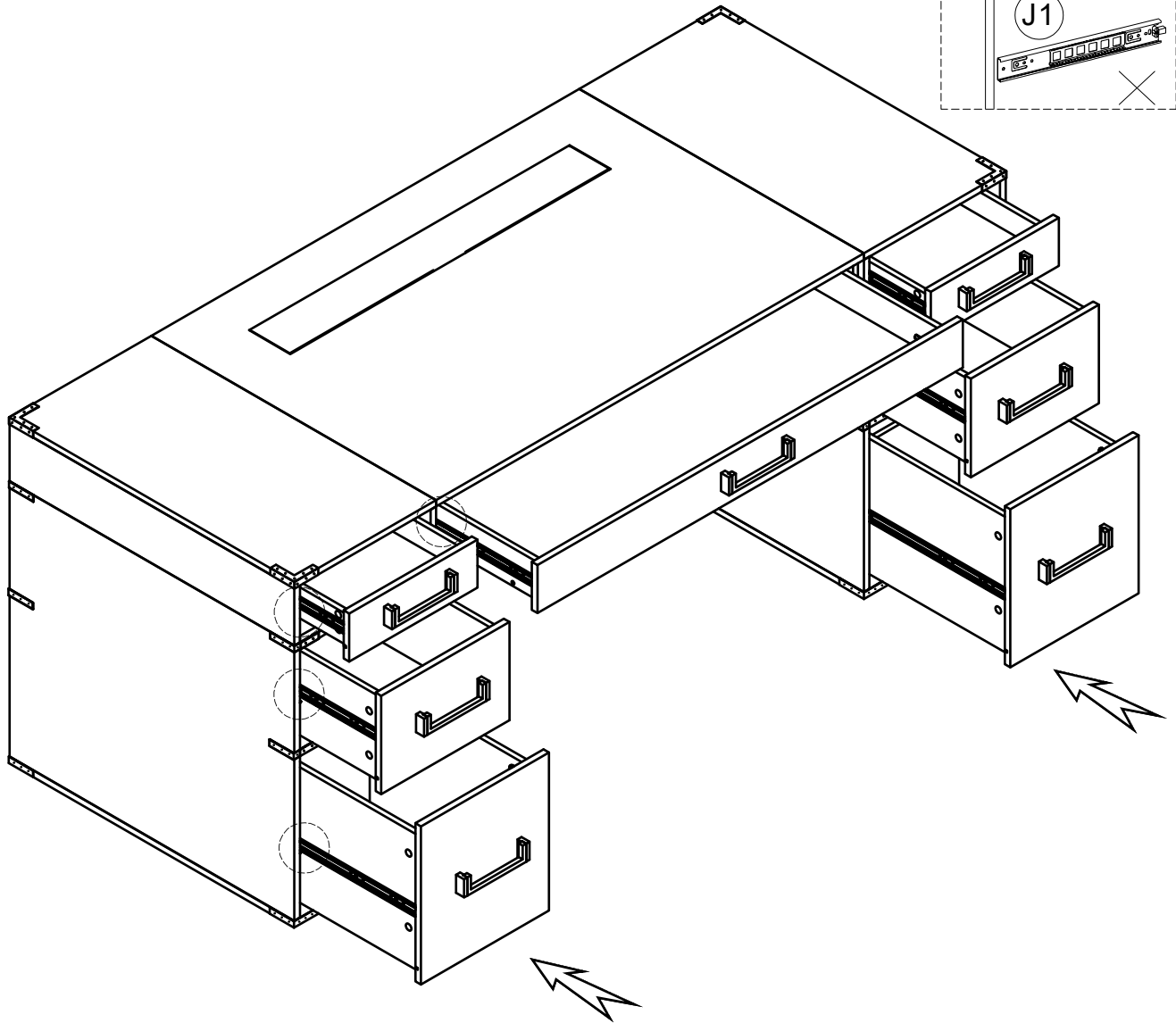


 M4x25mm Screw 2pcs	 Handle 1pc
---	---

STEP 39



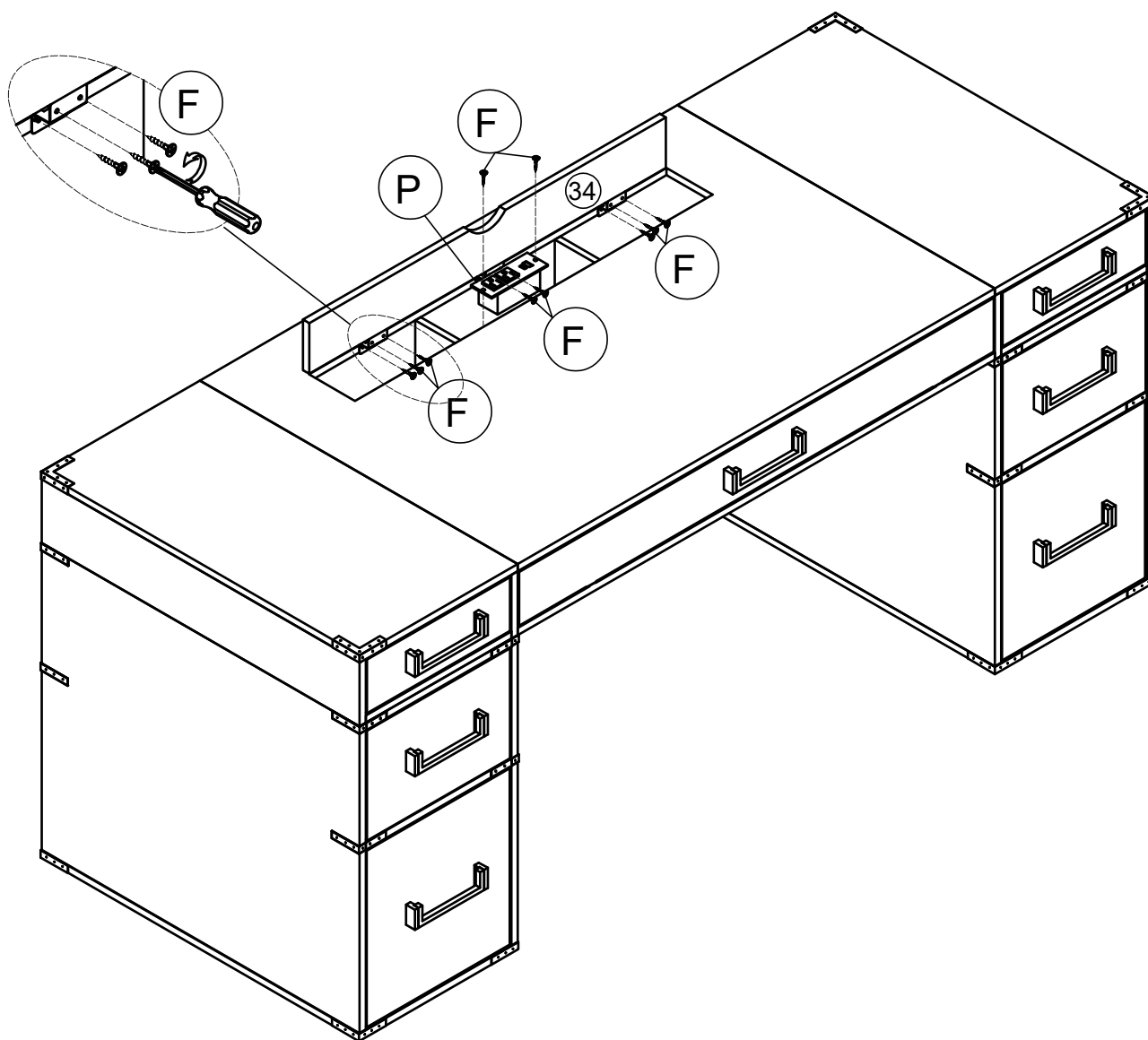
STEP 40

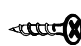
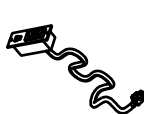


INSTALLING DRAWERS

Pull slides and slide carrier out to fully extended position (see illustration). Hold the slide on the cabinet while aligning it with the slide on the drawer. Slightly insert one side and repeat for the other side. Slowly push the drawer to its fully closed position to engage the slide. Open the drawer and reclose to ensure proper operation.

STEP 41



<p>F</p>  <p>#3.5x12mm Screw 11 pcs</p>	<p>P</p>  <p>1 pc</p>
---	---

COMPLETE

