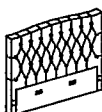






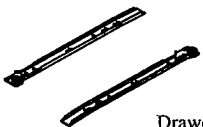
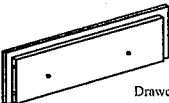
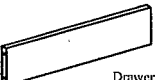
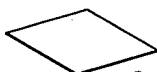
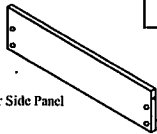
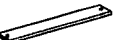
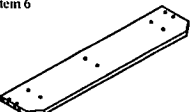







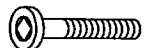
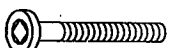
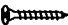
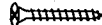
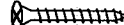
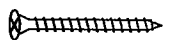


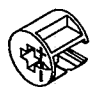

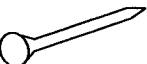

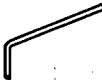
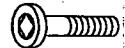
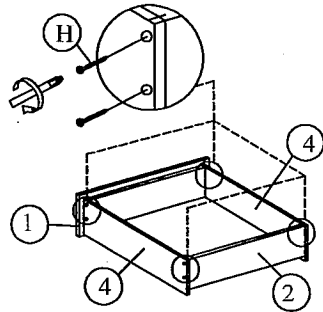


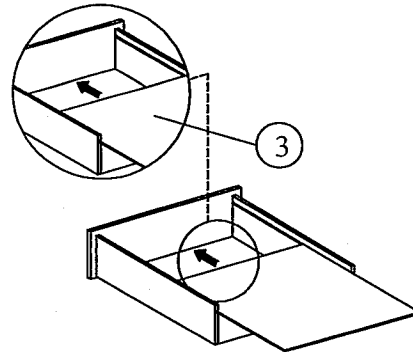
Assembly Instruction

<p>Item AA  1 pc</p> <p style="text-align: center;">Headboard</p>	<p>Item AB  1 pc</p> <p style="text-align: center;">Footboard</p>	<p>Item AC  2 pcs</p> <p style="text-align: center;">Side Rail</p>	
<p>Item AD  1 pc</p> <p style="text-align: center;">Slat</p>	<p>Item AE  2 pcs</p> <p style="text-align: center;">Center Rail</p>	<p>Item AF  4 pcs</p> <p style="text-align: center;">Support Leg</p>	
<p>Item AG  4 pcs</p> <p style="text-align: center;">Drawer Slide 500</p>	<p>Item AH  4 pcs</p> <p style="text-align: center;">Drawer Slide 500</p>		
<p>Item 1  2 pcs</p> <p style="text-align: center;">Drawer Front Panel</p>	<p>Item 2  2 pcs</p> <p style="text-align: center;">Drawer Back Panel</p>	<p>Item 3  2 pcs</p> <p style="text-align: center;">Drawer Bottom Panel</p>	<p>Item 4  4 pcs</p> <p style="text-align: center;">Drawer Side Panel</p>
<p>Item 5  4 pcs</p>	<p>Item 6  1 pc</p>	<p>Item 7  1 pc</p>	<p>Item 8  1 pc</p>
<p>Item 9  1 pc</p>	<p>Item 10  1 pc</p>	<p>Item 11  1 pc</p>	
<p>Item A  15 pcs</p> <p style="text-align: center;">Plastic Dowel (8 x 25)</p>	<p>Item B  9 pcs</p> <p style="text-align: center;">JCBC W M6 x 40</p>	<p>Item C  2 pcs</p> <p style="text-align: center;">JCBC M6 x 40</p>	<p>Item D  4 pcs</p> <p style="text-align: center;">JCBC M6 x 60</p>
<p>Item E  24 pcs</p> <p style="text-align: center;">CSK M3.5 x 16 mm</p>	<p>Item F  2 pcs</p> <p style="text-align: center;">CSK M4 x 25 mm</p>	<p>Item G  38 pcs</p> <p style="text-align: center;">CSK M4 x 32 mm</p>	<p>Item H  16 pcs</p> <p style="text-align: center;">CSK M4 x 50 mm</p>
<p>Item I  10 pcs</p> <p style="text-align: center;">M6 Flat Washer</p>	<p>Item J  6 pcs</p> <p style="text-align: center;">Mini Fix Bolt</p>	<p>Item K  6 pcs</p> <p style="text-align: center;">Mini Fix Housing</p>	<p>Item L  6 pcs</p> <p style="text-align: center;">Mini Fix Cap</p>
<p>Item M  24 pcs</p> <p style="text-align: center;">Power Nail $\frac{6}{8}$</p>	<p>Item N  9 pcs</p> <p style="text-align: center;">White Nail Leg</p>	<p>Item O  1 pc</p> <p style="text-align: center;">Allen Key 65 mm</p>	<p>Item P  8 pcs</p> <p style="text-align: center;">JCBC M6 x 30</p>

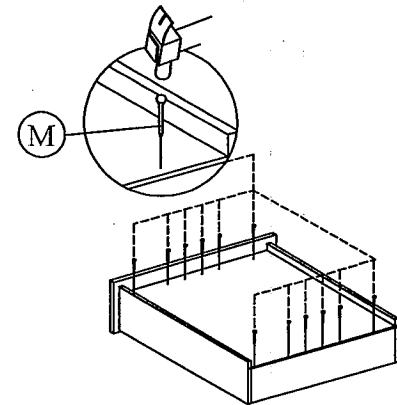
Step 1



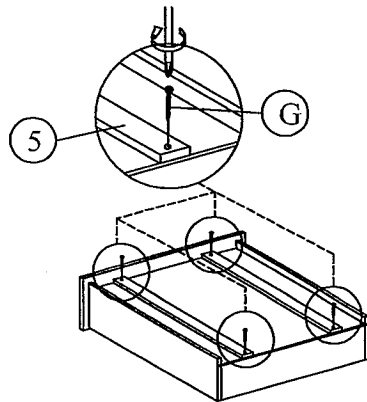
Step 2



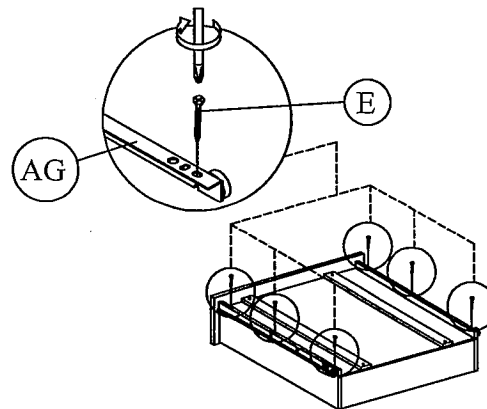
Step 3



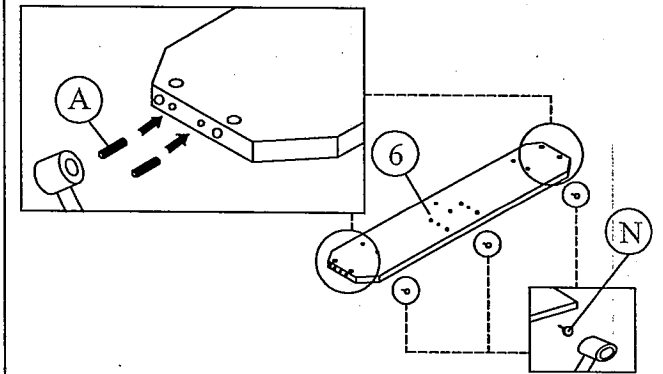
Step 4



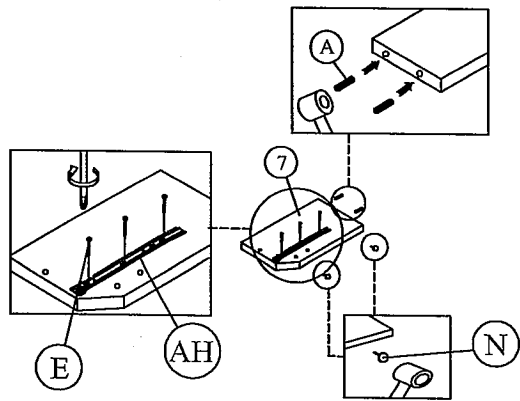
Step 5



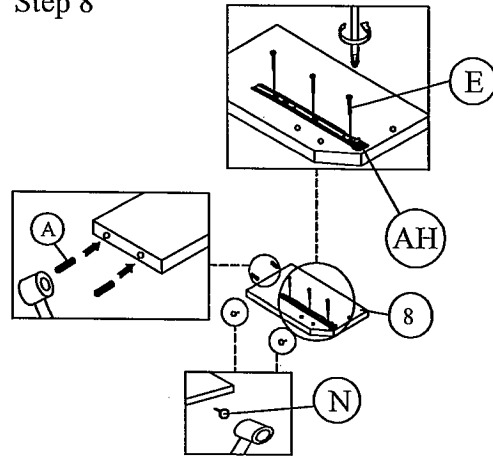
Step 6



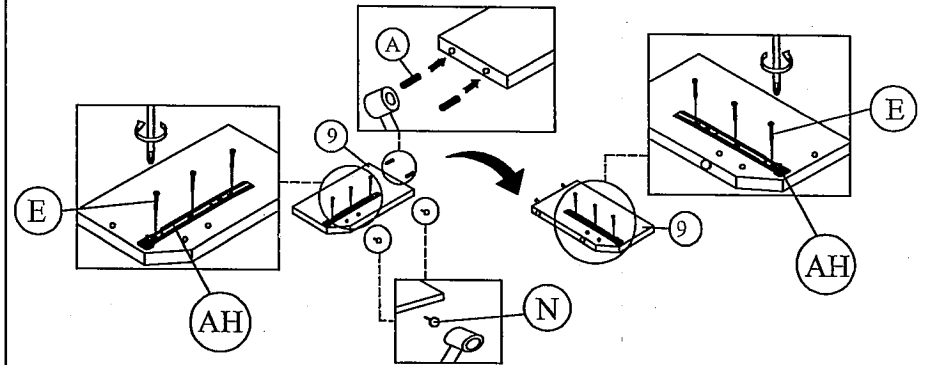
Step 7



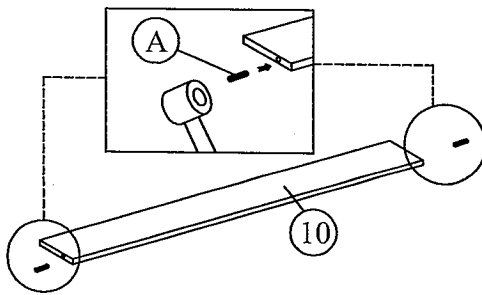
Step 8



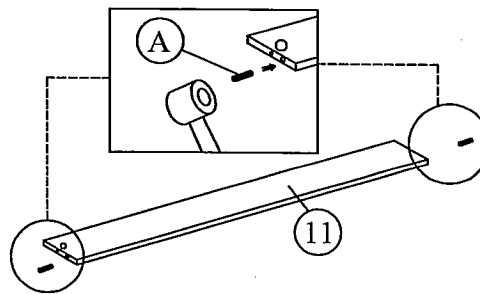
Step 9



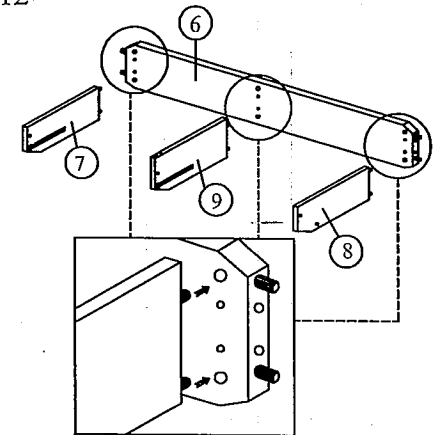
Step 10



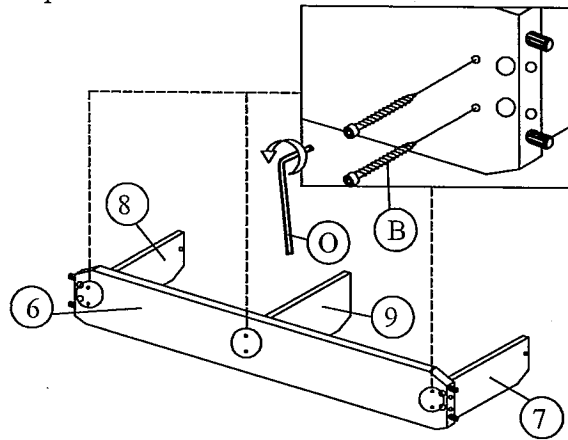
Step 11



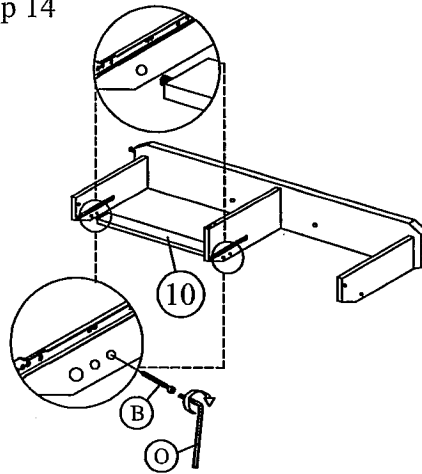
Step 12



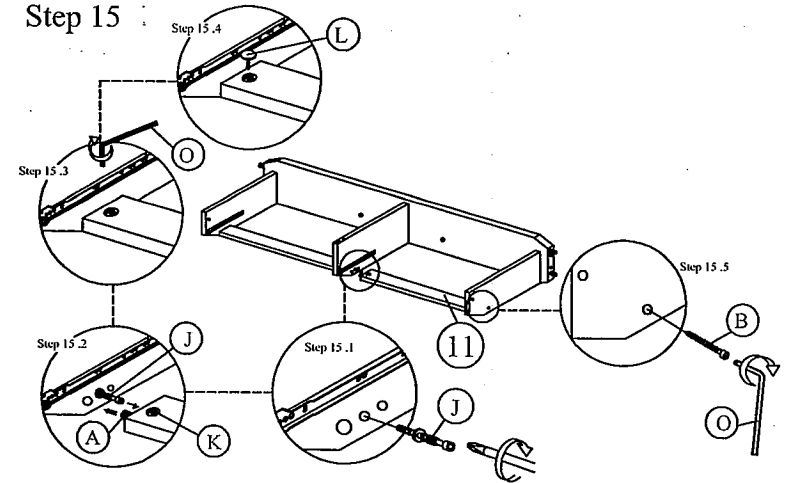
Step 13



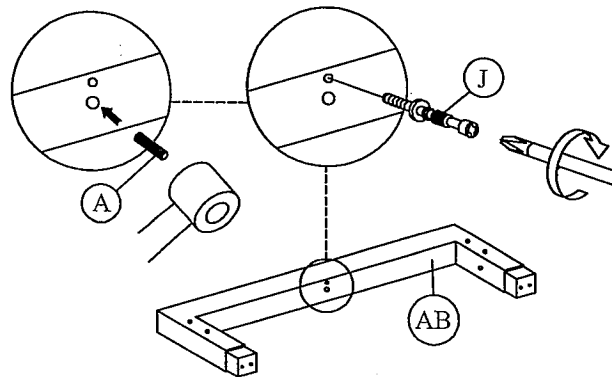
Step 14



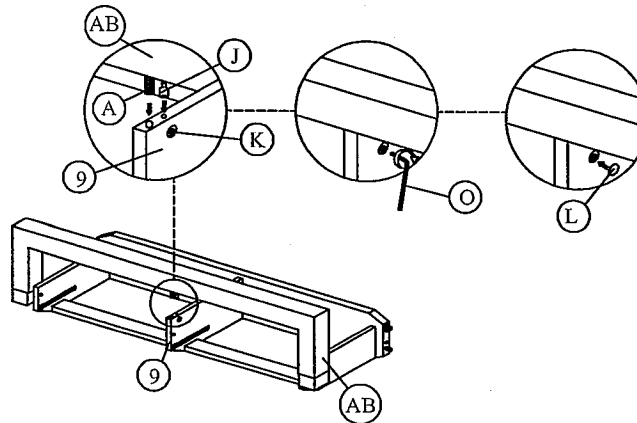
Step 15



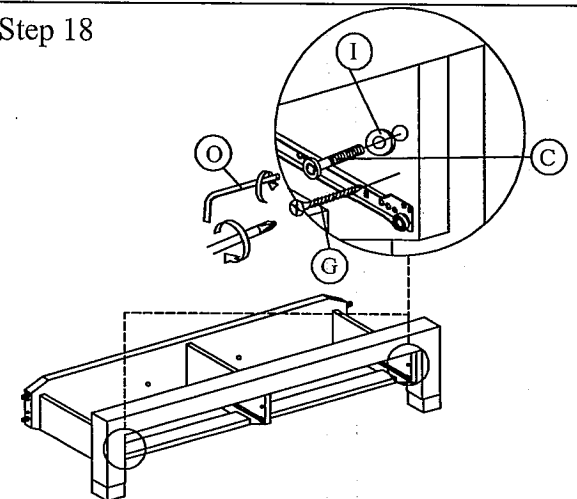
Step 16



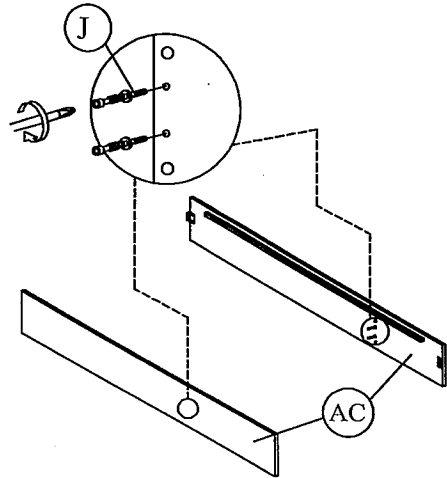
Step 17



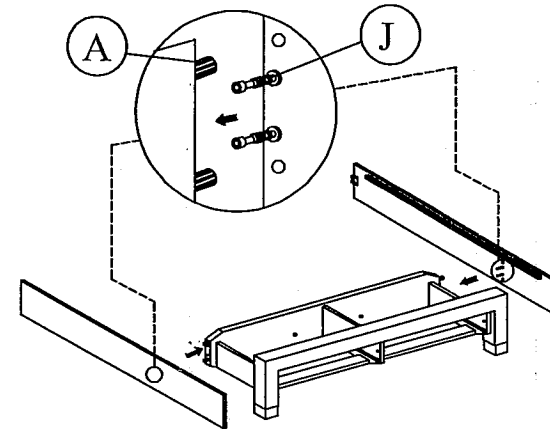
Step 18



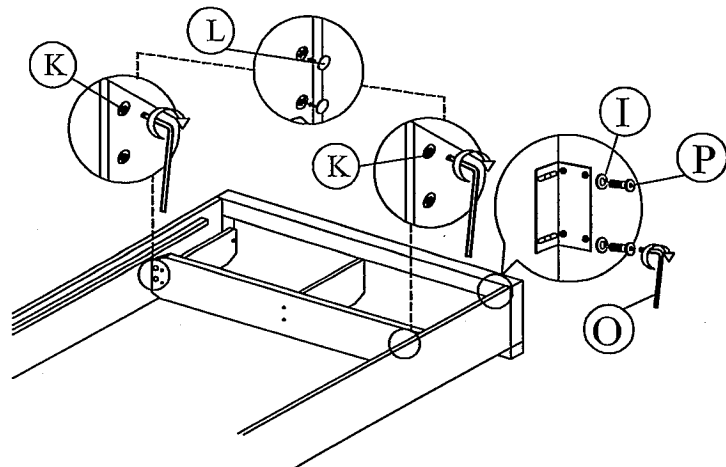
Step 19



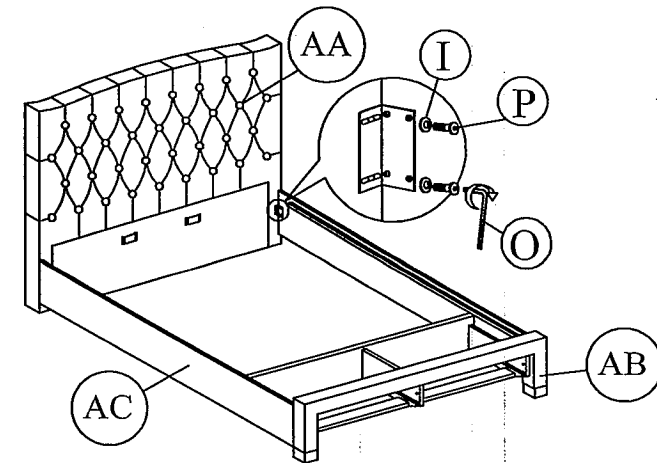
Step 20



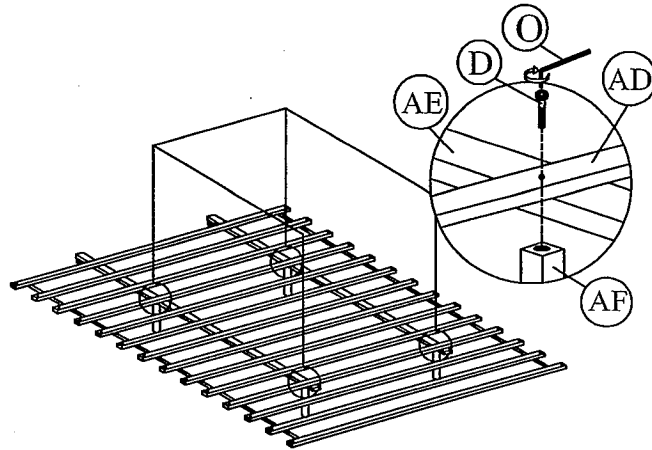
Step 21



Step 22



Step 23



Step 24

