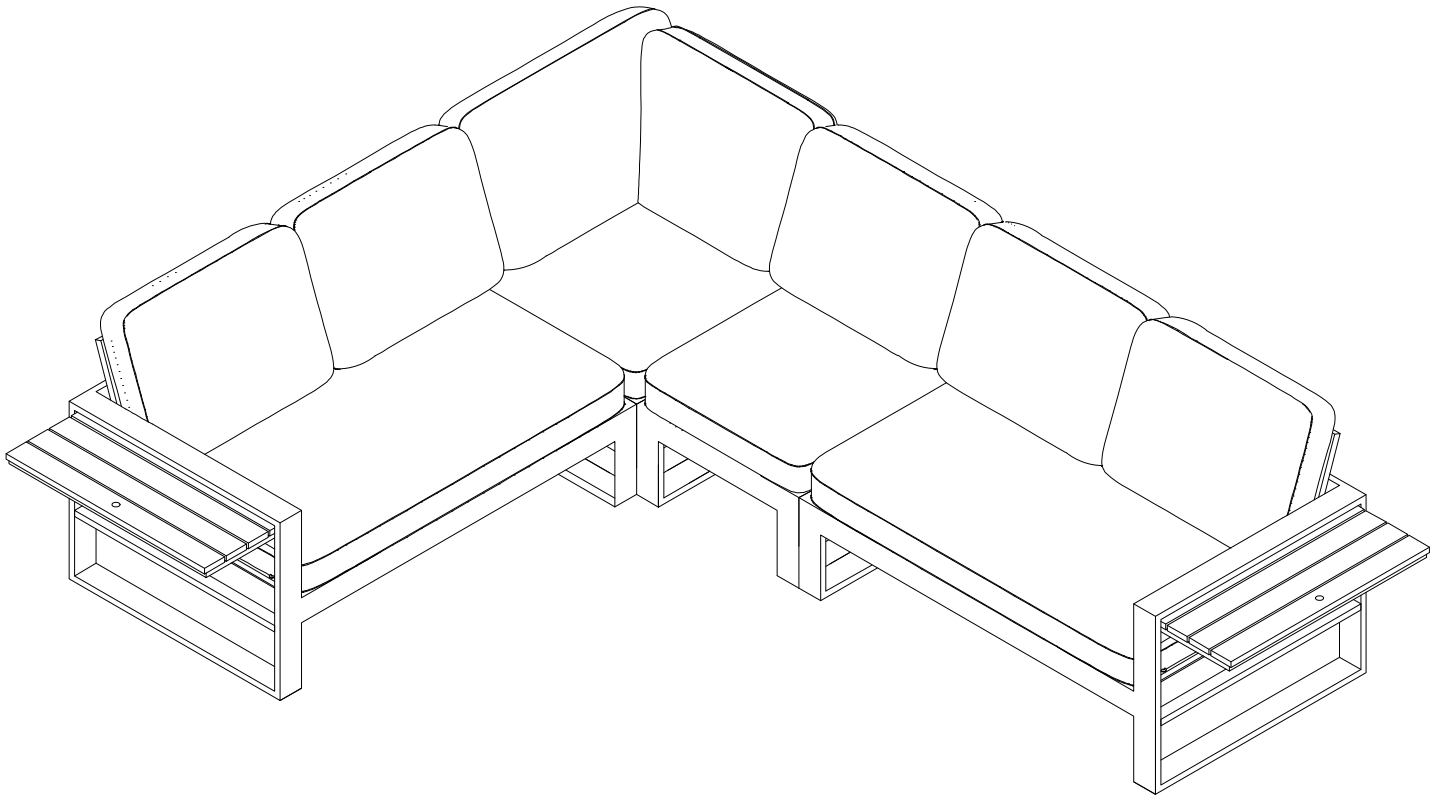


# Higreen Outdoor

VERSION 1.1

## Assembly Instructions



**Denver**  
Collection

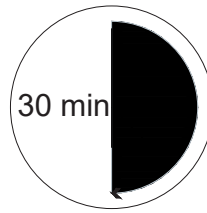
0140

## ASSEMBLY INSTRUCTIONS

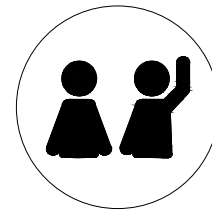
Read these instructions carefully and keep for future reference. Refer to parts inventory for guidance, and ensure you have all pieces before starting.

When assembling, place all parts on a soft, clean, and flat surface such as a carpet to prevent scratches.

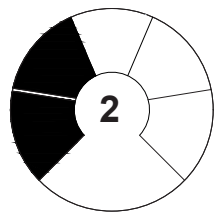
If you're having difficulty, our friendly Customer Care team is always here to help. email us at [Higreen-outdoor@outlook.com](mailto:Higreen-outdoor@outlook.com).



TIME



# OF PEOPLE



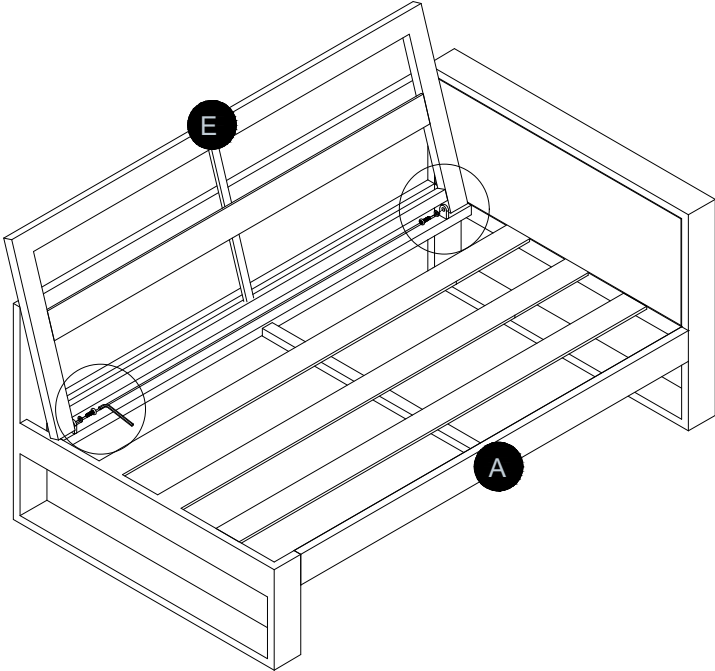
DIFFICULTY

PARTS INVENTORY			
ID	DESCRIPTION		QTY
<b>A</b>	Left side sofa		1
<b>B</b>	Middle sofa		1
<b>C</b>	Corner sofa		1
<b>D</b>	Right side sofa		1
<b>E</b>	Side sofa back		2
<b>F1</b>	Middle sofa back		1
<b>F2</b>	Corner sofa longer back		1
<b>F3</b>	Corner sofa back		1
<b>G1</b>	Side sofa seat cushion		2
<b>G2</b>	Middle sofa seat cushion		1
<b>G3</b>	Corner sofa seat cushion		1

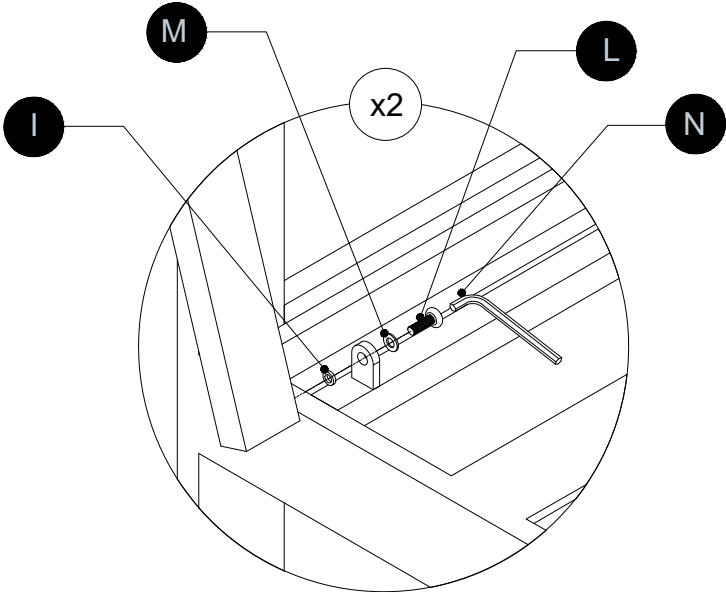
**!** Hardware may loosen over time, check the bolts regularly and tighten if necessary.

PARTS INVENTORY CONT.			
ID	DESCRIPTION		QTY
<b>H1</b>	Back cushion		5
<b>H2</b>	Corner longer back cushion		1
<b>H3</b>	Corner short back cushion		1
<b>I</b>	Plastic washer		10
<b>L</b>	M6 × 25mm bolt		10
<b>M</b>	M6 washer		10
<b>N</b>	Allen key		1
<b>O</b>	Sofa clip		6

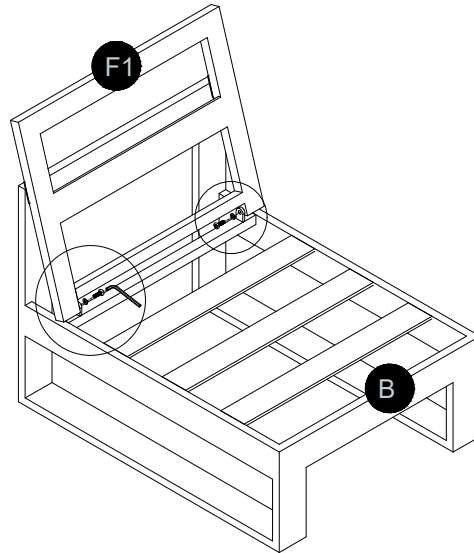
1



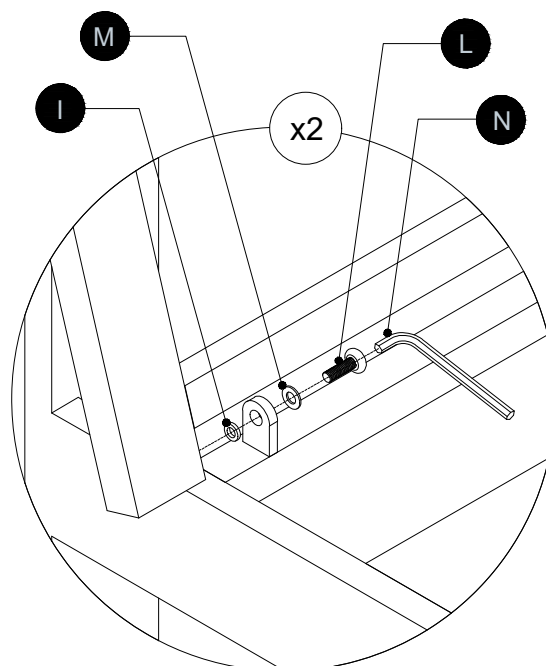
⚠ Attach the Side sofa back (E) to Left side sofa (A) using



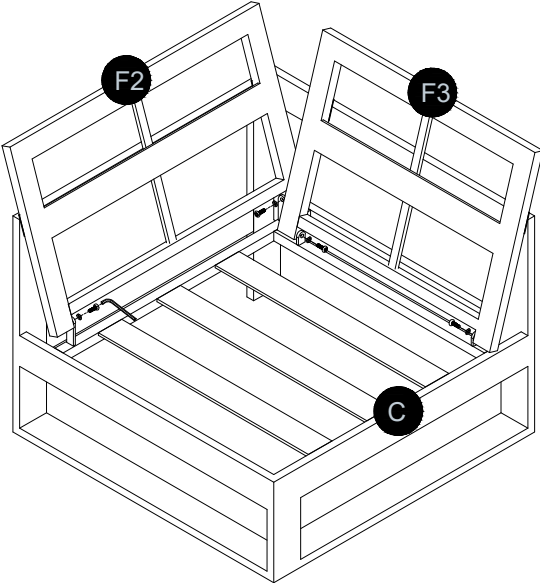
2



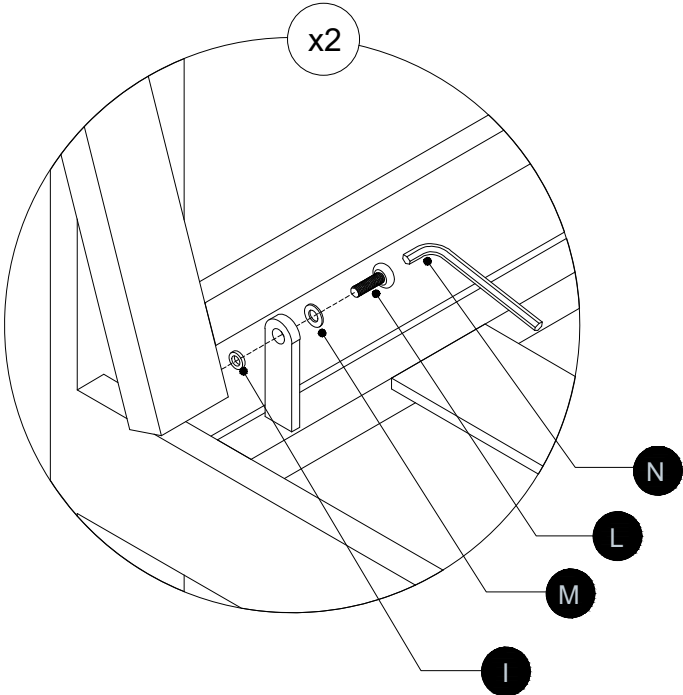
! Attach the Middle sofa back (F1) to Middle sofa (B)



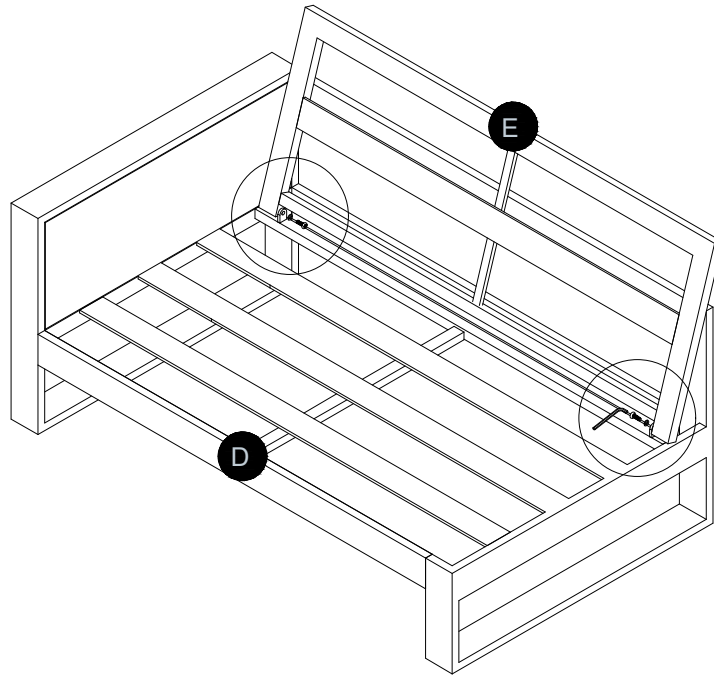
3



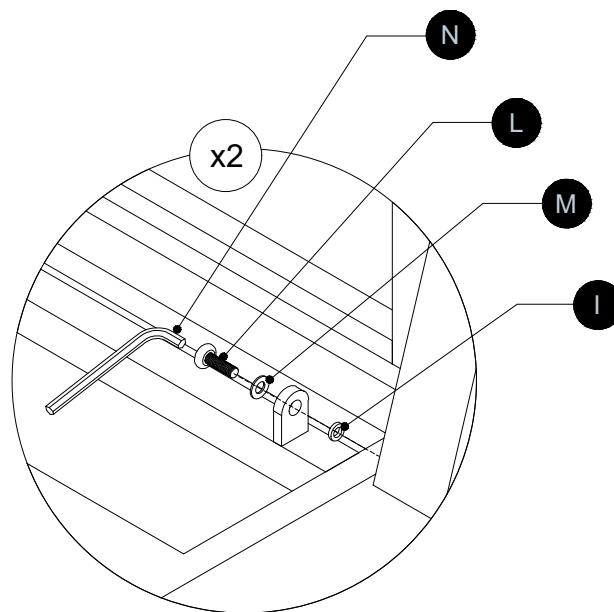
ⓘ Attach the Corner sofa back/longer back (F2/F3) to Corner sofa (C)



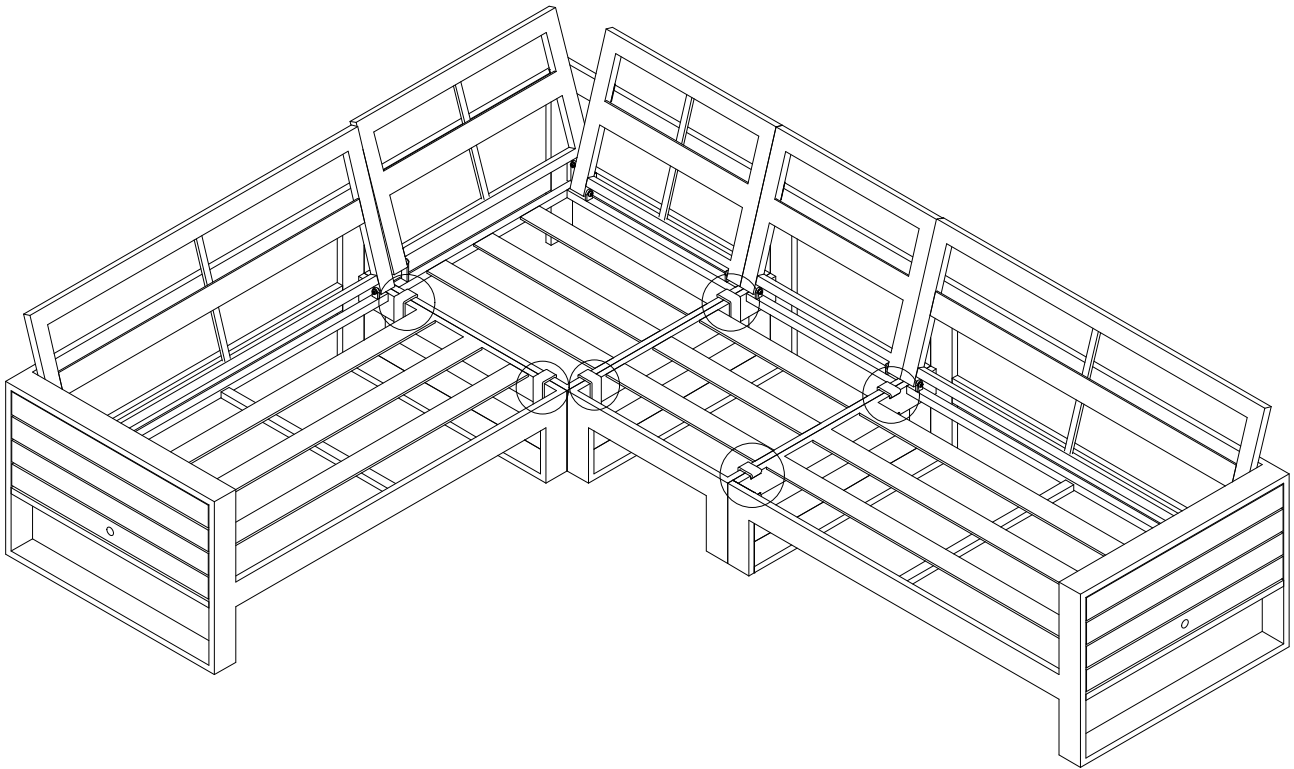
4



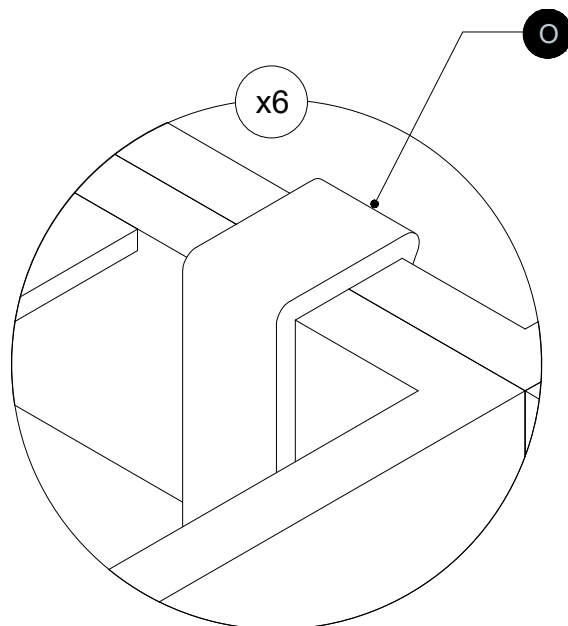
! Attach the Side sofa back (E) to Right side sofa (D)



5



! Fix the Sofa clip (O) to the seat area accordingly



6

